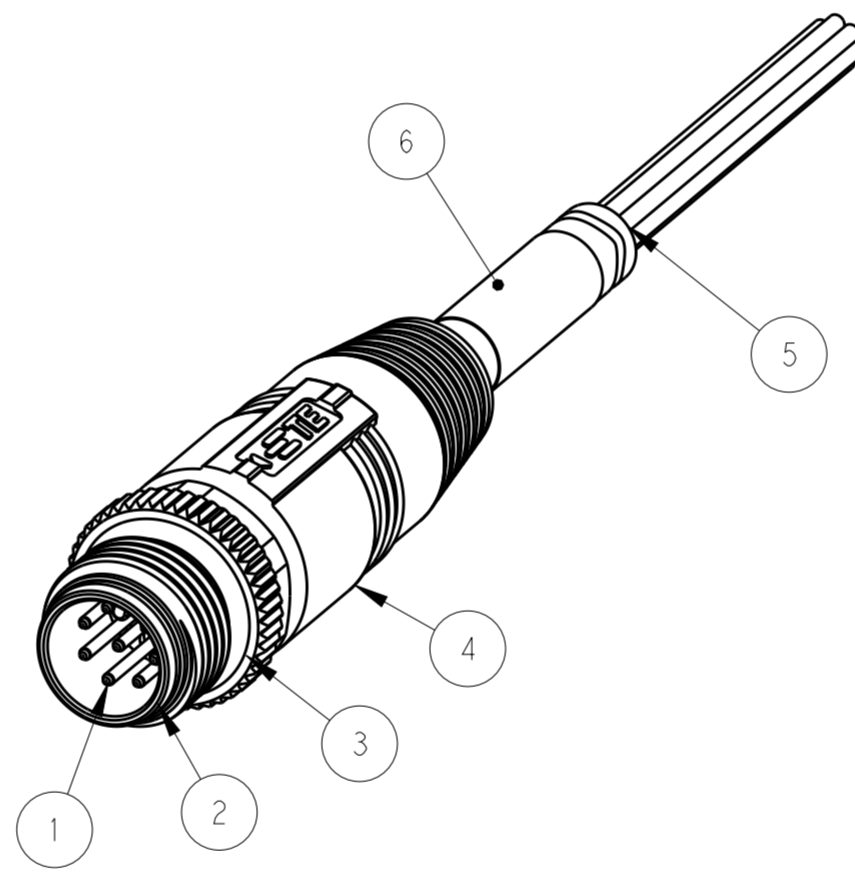
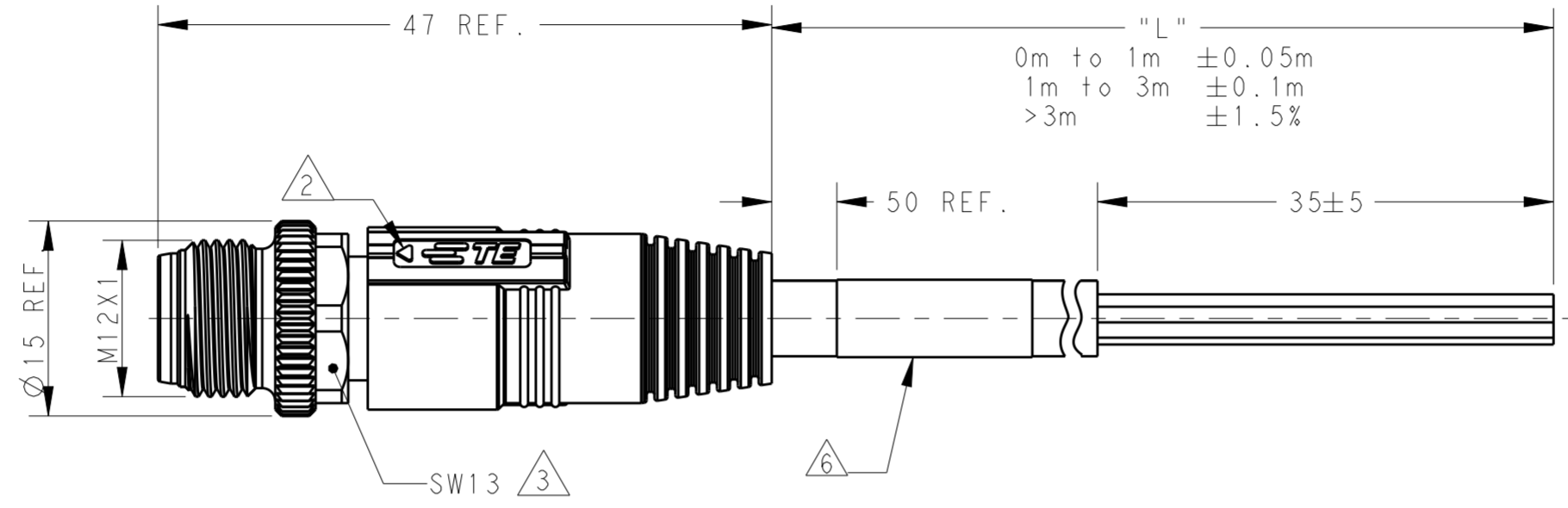
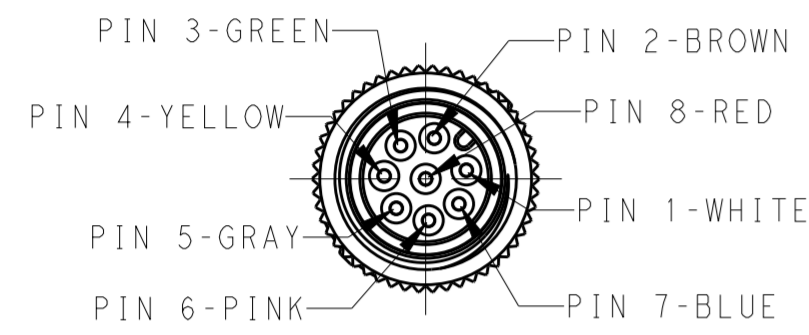


THIS DRAWING IS UNPUBLISHED. RELEASED FOR PUBLICATION 20
 © COPYRIGHT 20 BY - ALL RIGHTS RESERVED.

ITEM	DESCRIPTION	MATERIAL	OTHERS
1	MALE CONTACT	COPPER ALLOY	FLASH GOLD
2	HOUSING	NYLON	BLACK
3	COUPLING NUT	COPPER ALLOY	-
4	OVER-MOLDING	POLYURETHANE	BLUE
5	CABLE	-	-
6	LABEL	-	-

REVISIONS				
P	LTR	DESCRIPTION	DATE	APVD
A		INITIAL RELEASE	05DEC2016	HW XX
A1		ECR-18-016060	13OCT2018	G.W C.W



NOTE:
 1. TECHNICAL DATA:SEE TABLE 1
 2. CODE POSITION INDICATOR
 3. RECOMMENDED TORQUE 0.6 Nm
 4. -X.X:CABLE LENGTH
 -0.5:0.5M,
 -1.0:1.0M,
 -1.5:1.5M,
 5. CABLE ASSEMBLY TO BE PACKAGED IN POLYBAGS
 6. LABEL CONTAINS: PN, DATE CODE...
 7. SEE TABLE 2,REFER TO LENGTH "L"
 CABLE LENGTH CODE:
 STANDARD LENGTH:001...007
 CUSTOMIZATION LENGTH: >1.0M;XX0 OR XX5
 EXAMPLE:3.5M:035;15.0M:150...
 <1.0M;99X
 EXAMPLE:0.4M:994;...0.9M:999

注释:
 1. 技术参数:参考表 1
 2. CODE位置指示
 3. 推荐扭矩0.6 Nm
 4. -X.X:线缆长度
 -0.5:0.5M,
 -1.0:1.0M,
 -1.5:1.5M,
 5. 线缆组件塑料袋包装
 6. 标签包含: 产品编号, 日期代码...
 7. 参照表 2,参考长度"L"
 线缆长度编码:
 标准长度:001...007
 定制长度:>1.0M;XX0 或 XX5
 例如:3.5M:035;15.0M:150...
 <1.0M;99X
 例如:0.4M:994;...0.9M:999

TABLE 1

TECHNICAL DATA	T41511X00X8-00X
RATED VOLTAGE	MAX. 30V AC/DC
RATED CURRENT	MAX. 2A
POLLUTION DEGREE	3
OVERVOLTAGE CATEGORY	II
MATERIAL GROUP	II
DEGREE OF PROTECTION	IP67(PLUGGED)

TABLE 2

CABLE CHARACTERISTIC 线缆特性	LENGTH "L" 长度 "L"	CABLE TEMP. RANGE	JACKET COLOR	JACKET MATERIAL	TYPE 型号	POS.	TE PN TE 料号
WIRES: 0.25mm ² (24AWG) WIRE COLOR: WHITE/BROWN/GREEN/YELLOW/ GRAY/PINK/BLUE/RED OD: APPROX.6.0MM FOR 8P	STANDARD: -001:0.5M -002:1.0M -003:1.5M -004:3.0M -005:5.0M -006:7.0M -007:10.0M CUSTOMIZATION: -XX0:XX.0 M -XX5:XX.5 M -99X: 0.X M	FIXED: -40°C~+80°C FLXIBLE: -25°C~+80°C	YELLOW	PUR	RPC-M12-MS-8CON-PUR1-X.X [△]	8	T4151120068-00X [△]
			GRAY	PUR	RPC-M12-MS-8CON-PUR-X.X [△]	8	T4151120008-00X [△]
			BLACK	PVC	RPC-M12-MS-8CON-PVC-X.X [△]	8	T4151110008-00X [△]

THIS DRAWING IS A CONTROLLED DOCUMENT.

DWN HAO WANG 24AUG2016	TE Connectivity								
CHK KOBBOY ZHAO 24AUG2016									
APVD XIANG XU 24AUG2016									
PRODUCT SPEC 108-106140									
MATERIAL	NAME M12X1 STRAIGHT PLUG, FREE END A-CODE, 8P UN-SHIELDED,								
TOLERANCES UNLESS OTHERWISE SPECIFIED: 0 PLC ± 1 PLC ± 2 PLC ± 3 PLC ± 4 PLC ± ANGLES ± FINISH	<table border="1"> <tr> <th>SIZE</th> <th>CAGE CODE</th> <th>DRAWING NO</th> <th>RESTRICTED TO</th> </tr> <tr> <td>A2</td> <td>-</td> <td>©-T41511X000800X</td> <td></td> </tr> </table>	SIZE	CAGE CODE	DRAWING NO	RESTRICTED TO	A2	-	©-T41511X000800X	
SIZE	CAGE CODE	DRAWING NO	RESTRICTED TO						
A2	-	©-T41511X000800X							
DIMENSIONS: mm	SCALE 2:1 SHEET 1 OF 1 REV A1								
CUSTOMER DRAWING									

X-ON Electronics

Largest Supplier of Electrical and Electronic Components

Click to view similar products for [Sensor Cables / Actuator Cables](#) category:

Click to view products by [TE Connectivity](#) manufacturer:

Other Similar products are found below :

[60963](#) [60964](#) [703000D02F2002](#) [703001D02F0602](#) [703001D02F300](#) [704000D02F120](#) [773032K02F030](#) [802027107404-1](#) [802027213811-1](#)
[804001A09M150](#) [805001A09M0502](#) [84914-0235](#) [84914-0237](#) [885030A09M020](#) [8R4J30E03C3003](#) [1200651332](#) [1200651713](#) [1200660844](#)
[1200660845](#) [1200661173](#) [1200680071](#) [1200720053](#) [1200720081](#) [1200720099](#) [1200720217](#) [1200800231](#) [1200860125](#) [1200870123](#)
[1200980102](#) [1200650267](#) [1200650298](#) [1200660183](#) [1200660782](#) [1200660849](#) [1200661295](#) [1200661297](#) [1200661342](#) [1200661343](#)
[1200670080](#) [1200670220](#) [1200680331](#) [1200720252](#) [1200730184](#) [1200860344](#) [1200870359](#) [1200870643](#) [1200980008](#) [1200980031](#)
[1210502211](#) [1210400542](#)