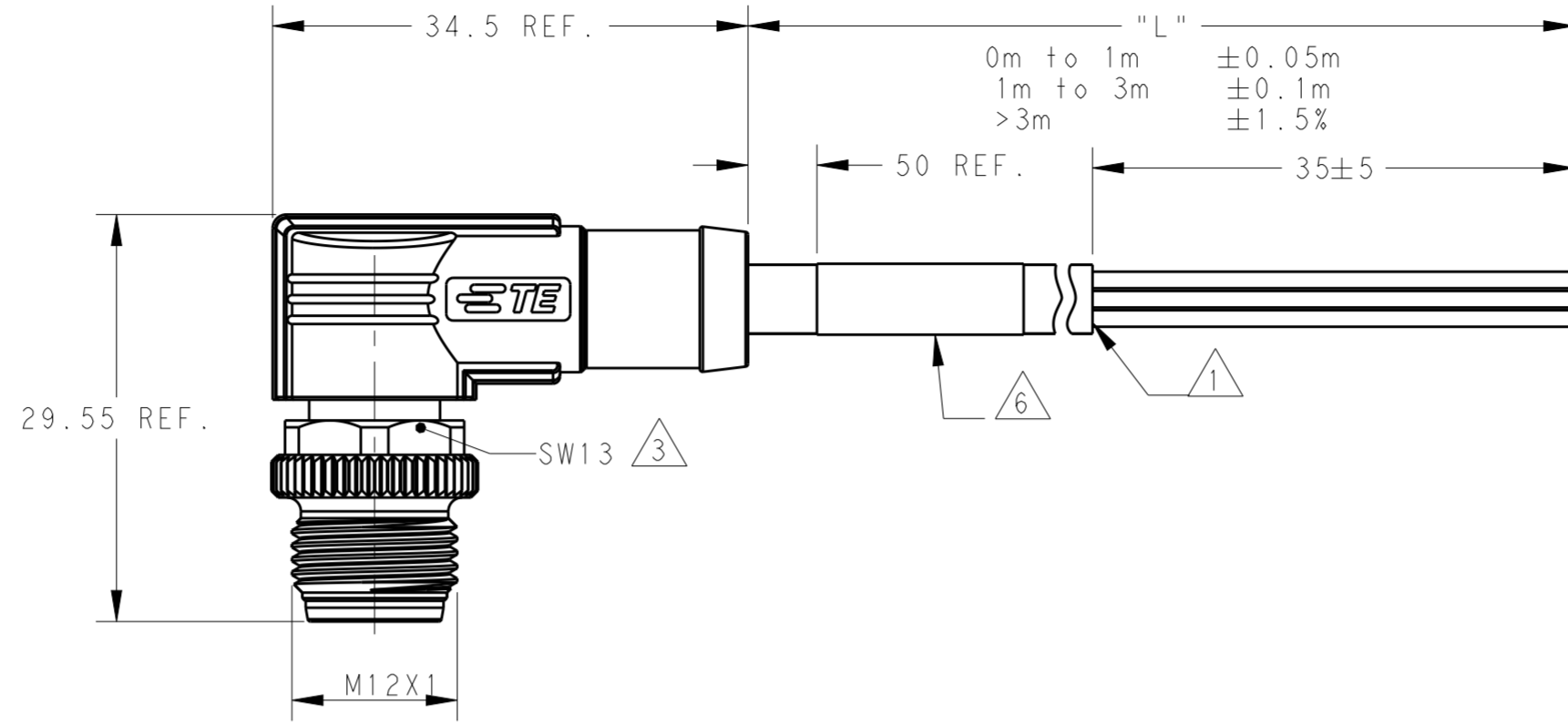
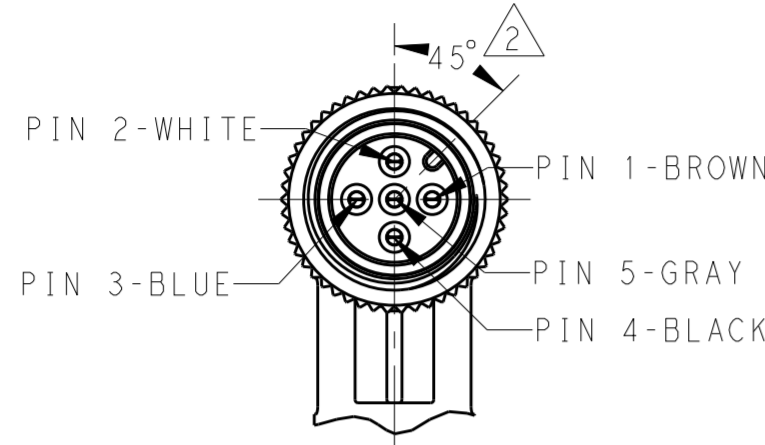


THIS DRAWING IS UNPUBLISHED. RELEASED FOR PUBLICATION 20
 © COPYRIGHT 20 BY - ALL RIGHTS RESERVED.

ITEM	DESCRIPTION	MATERIAL	OTHERS
1	MALE CONTACT	COPPER ALLOY	FLASH GOLD
2	HOUSING	NYLON	BLACK
3	COUPLING NUT	COPPER ALLOY	-
4	OVER-MOLDING	POLYURETHANE	BLUE
5	CABLE	-	-
6	LABEL	-	-



REVISIONS				
P	LTR	DESCRIPTION	DATE	APVD
	A	INITIAL RELEASE	21AUG2015	HW XX
	A1	ECR-16-010106	14JUL2016	HW XX
	B	ECR-18-019963	28DEC2018	G.W C.W

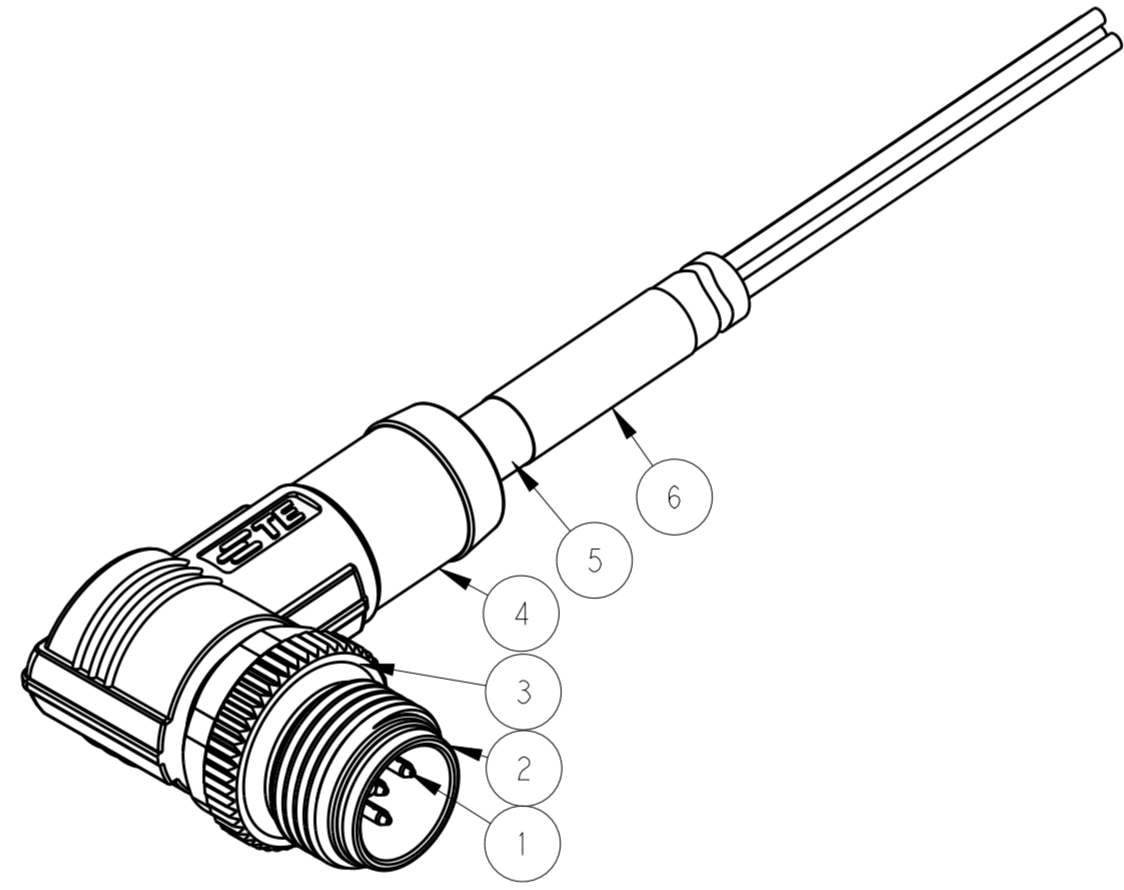
NOTE:

- △. STRIP ALL THE INSULATION
- △. CODE POSITION
- △. RECOMMENDED TORQUE 0.6 Nm
- △. - **: CABLE LENGTH
-0.5:0.5M,
-1.0:1.0M,
...
-10.0:10.0M,
- 5. CABLE ASSEMBLY TO BE PACKAGED IN POLYBAGS
- △. LABEL CONTAINS: PN, DATE CODE...
- △. CABLE LENGTH CODE:
STANDARD LENGTH: 001...007
CUSTOMIZATION LENGTH: >1.0M; XX OR XX5
EXAMPLE: 3.5M:035; 15M:150...
<1.0M; 99X
EXAMPLE: 0.4M:994; ...0.9M:999

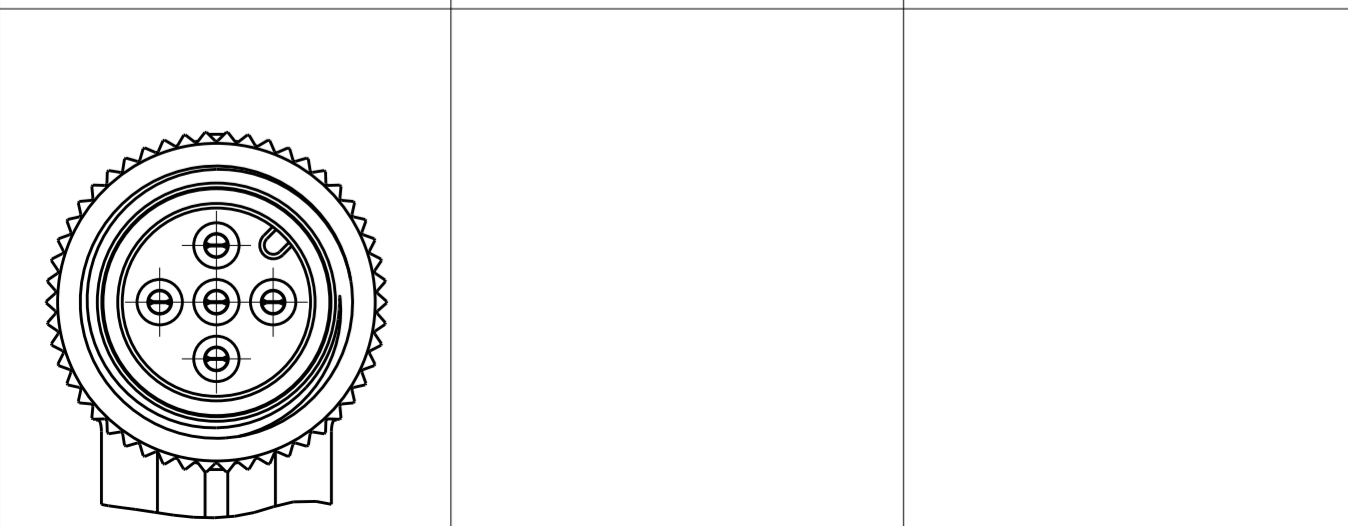
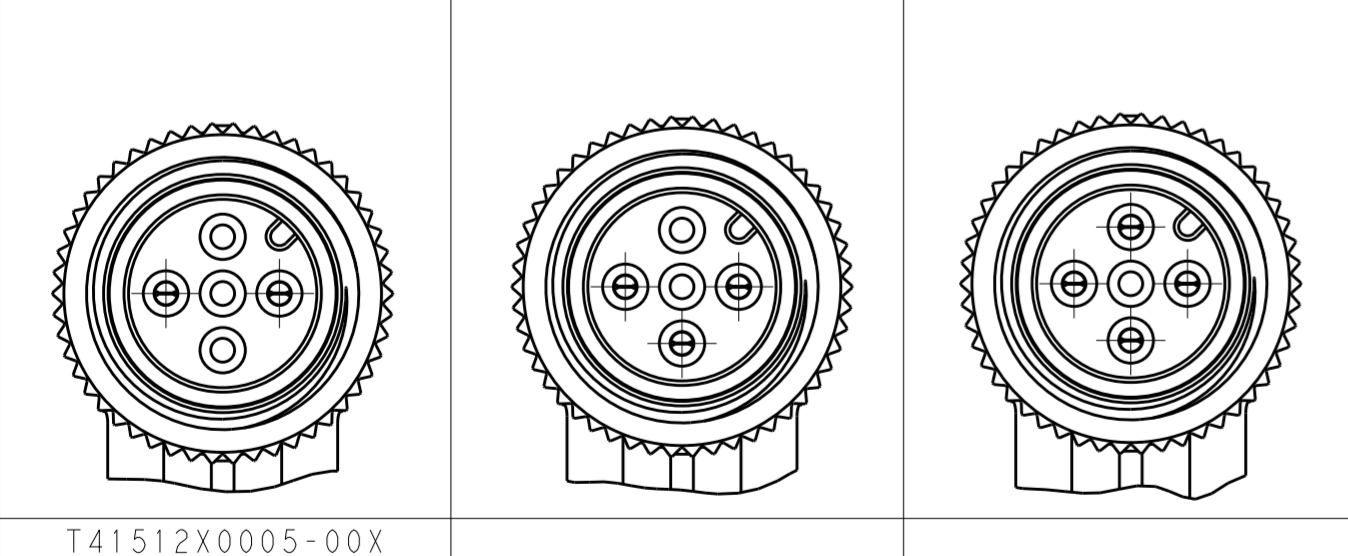
注释:

- △. 全剥护套绝缘层
- △. CODE位置
- △. 推荐扭矩0.6 Nm
- △. - **: 线缆长度
-0.5:0.5M,
-1.0:1.0M,
...
-10.0:10.0M,
- 5. 线缆组件塑料袋包装
- △. 标签包含: 产品编号, 日期代码...
- △. 线缆长度编码:
标准长度: 001...007
定制长度: >1.0M; XX0 或 005
例如: 3.5M:035; 15.0M:150...
<1.0M; 99X
例如: 0.4M:994; 0.9M:999

TECHNICAL DATA	T41512X0002-00X	T41512X0003-00X	T41512X0004-00X	T41512X0005-00X
RATED VOLTAGE	250V		60V	
RATED IMPULSE VOLTAGE	2500V		1500V	
RATED CURRENT	4A			
POLLUTION DEGREE	3			
OVERVOLTAGE CATEGORY	II			
MATERIAL GROUP	II			
DEGREE OF PROTECTION	IP67			



PIN ARRANGEMENT A-CODE		
T41512X0002-00X	T41512X0003-00X	T41512X0004-00X



WIRES: 0.34mm ² (22AWG) WIRE COLOR: WH/BR/BK/BL/GR OD: APPROX. 4.5MM FOR 2P/3P APPROX. 5.5MM FOR 4P/5P	STANDARD: △	FIXED: -40°C~+80°C	GRAY	PUR (UL)	RPC-M12-MR-5CON-PUR-**△	5	T4151220005-00X
	-001: 0.5 M	FLXIBLE: -25°C~+80°C			RPC-M12-MR-4CON-PUR-**△	4	T4151220004-00X
	-002: 1.0 M				RPC-M12-MR-3CON-PUR-**△	3	T4151220003-00X
	-003: 1.5 M				RPC-M12-MR-2CON-PUR-**△	2	T4151220002-00X
	-004: 3.0 M		FIXED: -10°C~+80°C	RPC-M12-MR-5CON-PVC-**△	5	T4151210005-00X	
	-005: 5.0 M	BLACK		RPC-M12-MR-4CON-PVC-**△	4	T4151210004-00X	
	-006: 7.0 M			RPC-M12-MR-3CON-PVC-**△	3	T4151210003-00X	
	-007: 10.0 M			RPC-M12-MR-2CON-PVC-**△	2	T4151210002-00X	
CUSTOMIZATION:	FLXIBLE: -5°C~+80°C						
-XX0: XX.0 M							
-XX5: XX.5 M							
-99X: 0.X M							
CABLE CHARACTERISTIC	LENGTH "L"	CABLE TEMP. RANGE	JACKET COLOR	JACKET MATERIAL	TYPE	POS.	TE PN

THIS DRAWING IS A CONTROLLED DOCUMENT.

DIMENSIONS: mm	TOLERANCES UNLESS OTHERWISE SPECIFIED:	DWN HAO WANG 11AUG2015	 TE Connectivity
	0 PLC ±	CHK KOBBY ZHAO 11AUG2015	
	1 PLC ±	APVD XIANG XU 11AUG2015	
	2 PLC ±	NAME M12X1 RIGHT ANGLE PLUG, FREE END	
MATERIAL	FINISH	PRODUCT SPEC 108-106140	A-CODE, UNSHIELDED,
		APPLICATION SPEC	RESTRICTED TO
		WEIGHT	SIZE A2
		CUSTOMER DRAWING	CAGE CODE
			DRAWING NO. C-T41512X00XX00X
			SCALE 2:1
			SHEET 1 OF 1
			REV B

X-ON Electronics

Largest Supplier of Electrical and Electronic Components

Click to view similar products for [Sensor Cables / Actuator Cables](#) category:

Click to view products by [TE Connectivity](#) manufacturer:

Other Similar products are found below :

[60963](#) [60964](#) [703000D02F2002](#) [703001D02F0602](#) [703001D02F300](#) [704000D02F120](#) [773032K02F030](#) [802027107404-1](#) [802027213811-1](#)
[804001A09M150](#) [805001A09M0502](#) [84914-0235](#) [84914-0237](#) [885030A09M020](#) [8R4J30E03C3003](#) [1200651332](#) [1200651713](#) [1200660844](#)
[1200660845](#) [1200661173](#) [1200680071](#) [1200720053](#) [1200720081](#) [1200720099](#) [1200720217](#) [1200800231](#) [1200860125](#) [1200870123](#)
[1200980102](#) [1200650267](#) [1200650298](#) [1200660183](#) [1200660782](#) [1200660849](#) [1200661295](#) [1200661297](#) [1200661342](#) [1200661343](#)
[1200670080](#) [1200670220](#) [1200680331](#) [1200720252](#) [1200730184](#) [1200860344](#) [1200870359](#) [1200870643](#) [1200980008](#) [1200980031](#)
[1210502211](#) [1210400542](#)