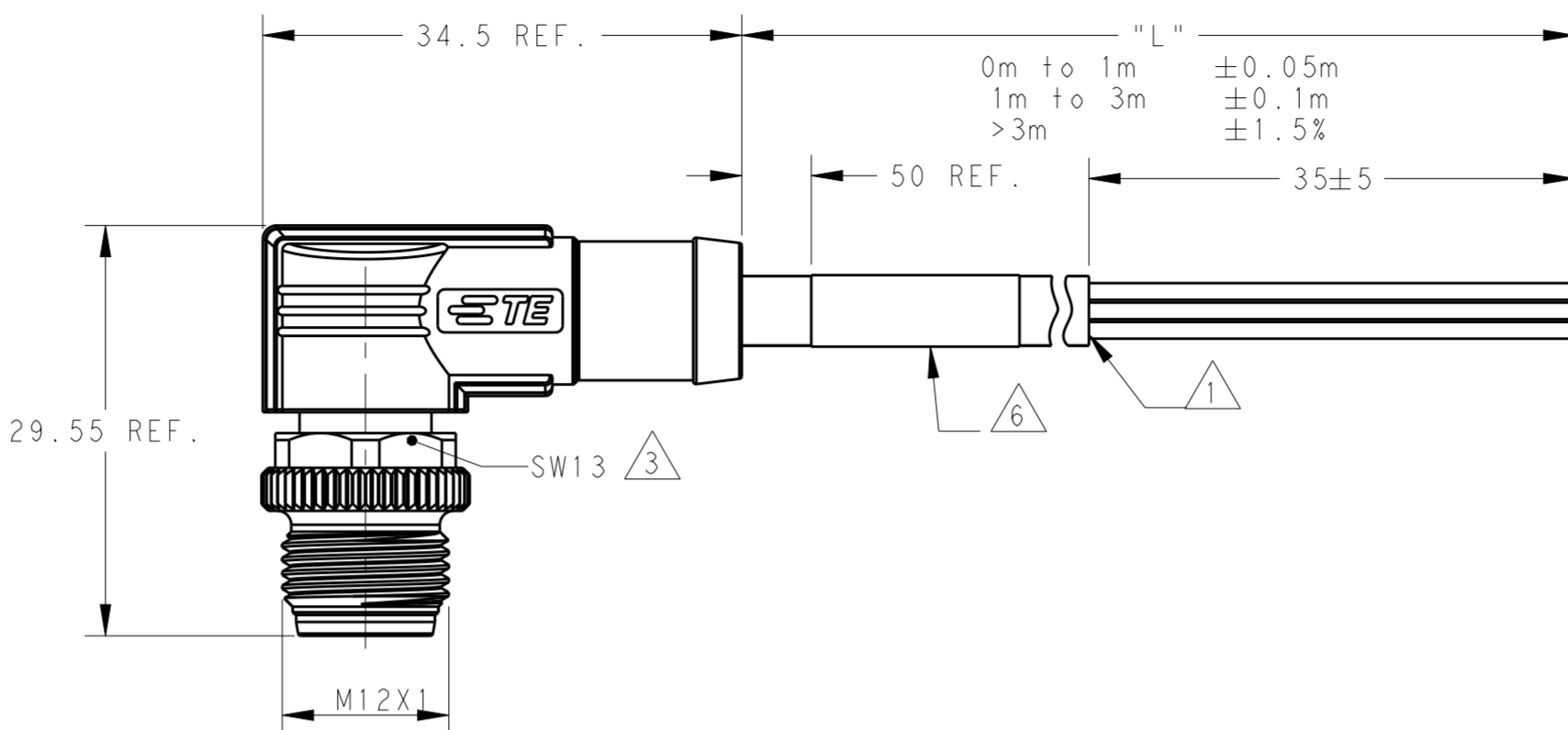
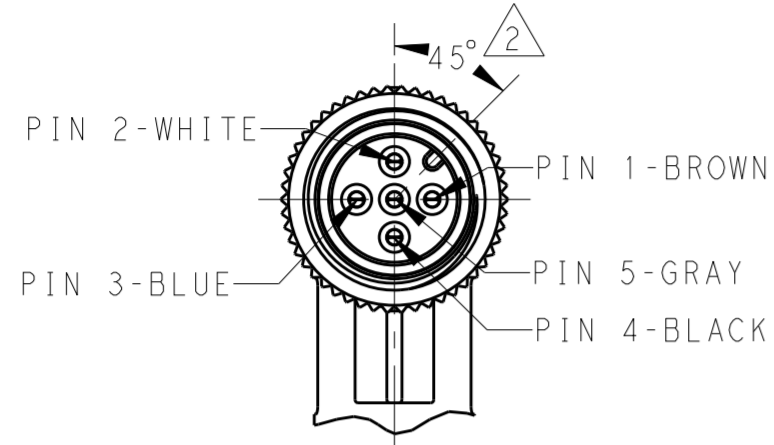


THIS DRAWING IS UNPUBLISHED. RELEASED FOR PUBLICATION 20
 © COPYRIGHT 20 BY - ALL RIGHTS RESERVED.

ITEM	DESCRIPTION	MATERIAL	OTHERS
1	MALE CONTACT	COPPER ALLOY	FLASH GOLD
2	HOUSING	NYLON	BLACK
3	COUPLING NUT	COPPER ALLOY	-
4	OVER-MOLDING	POLYURETHANE	BLUE
5	CABLE	-	-
6	LABEL	-	-

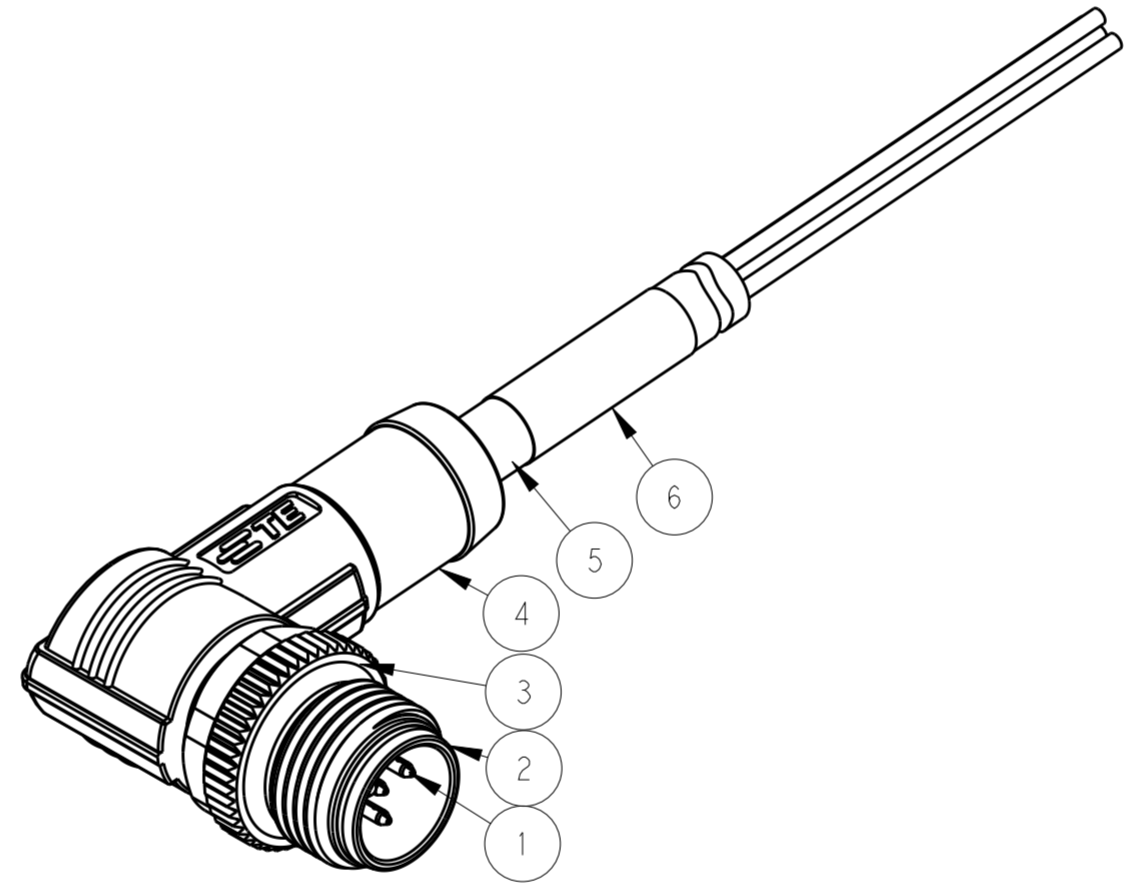


REVISIONS				
P	LTR	DESCRIPTION	DATE	APVD
	A	INITIAL RELEASE	21AUG2015	HW XX
	A1	ECR-16-010106	14JUL2016	HW XX
	B	ECR-18-019963	28DEC2018	G.W C.W

NOTE:
 1. STRIP ALL THE INSULATION
 2. CODE POSITION
 3. RECOMMENDED TORQUE 0.6 Nm
 4. ** : CABLE LENGTH
 -0.5:0.5M,
 -1.0:1.0M,
 ...
 -10.0:10.0M,
 5. CABLE ASSEMBLY TO BE PACKAGED IN POLYBAGS
 6. LABEL CONTAINS: PN, DATE CODE...
 7. CABLE LENGTH CODE:
 STANDARD LENGTH: 001...007
 CUSTOMIZATION LENGTH: >1.0M; XX OR XX5
 EXAMPLE: 3.5M:035; 15M:150...
 <1.0M; 99X
 EXAMPLE: 0.4M:994; ...0.9M:999

注释:
 1. 全剥护套绝缘层
 2. CODE位置
 3. 推荐扭矩0.6 Nm
 4. ** : 线缆长度
 -0.5:0.5M,
 -1.0:1.0M,
 ...
 -10.0:10.0M,
 5. 线缆组件塑料袋包装
 6. 标签包含: 产品编号, 日期代码...
 7. 线缆长度编码:
 标准长度: 001...007
 定制长度: >1.0M; XX0 或 005
 例如: 3.5M:035; 15.0M:150...
 <1.0M; 99X
 例如: 0.4M:994; 0.9M:999

TECHNICAL DATA	T41512X0002-00X	T41512X0003-00X	T41512X0004-00X	T41512X0005-00X
RATED VOLTAGE	250V		60V	
RATED IMPULSE VOLTAGE	2500V		1500V	
RATED CURRENT	4A			
POLLUTION DEGREE	3			
OVERVOLTAGE CATEGORY	II			
MATERIAL GROUP	II			
DEGREE OF PROTECTION	IP67			



PIN ARRANGEMENT A-CODE		
T41512X0002-00X	T41512X0003-00X	T41512X0004-00X
T41512X0005-00X		

WIRES: 0.34mm ² (22AWG) WIRE COLOR: WH/BR/BK/BL/GR OD: APPROX. 4.5MM FOR 2P/3P APPROX. 5.5MM FOR 4P/5P	STANDARD: Δ -001: 0.5 M -002: 1.0 M -003: 1.5 M -004: 3.0 M -005: 5.0 M -006: 7.0 M -007: 10.0 M CUSTOMIZATION: -XX0: XX.0 M -XX5: XX.5 M -99X: 0.X M	FIXED: -40°C~+80°C FLXIBLE: -25°C~+80°C	GRAY	PUR (UL)	RPC-M12-MR-5CON-PUR-** Δ	5	T4151220005-00X
		FIXED: -10°C~+80°C FLXIBLE: -5°C~+80°C	BLACK	PVC (UL)	RPC-M12-MR-4CON-PUR-** Δ RPC-M12-MR-3CON-PUR-** Δ RPC-M12-MR-2CON-PUR-** Δ RPC-M12-MR-5CON-PVC-** Δ RPC-M12-MR-4CON-PVC-** Δ RPC-M12-MR-3CON-PVC-** Δ RPC-M12-MR-2CON-PVC-** Δ	4 3 2 5 4 3 2	T4151220004-00X T4151220003-00X T4151220002-00X T4151210005-00X T4151210004-00X T4151210003-00X T4151210002-00X
CABLE CHARACTERISTIC	LENGTH "L"	CABLE TEMP. RANGE	JACKET COLOR	JACKET MATERIAL	TYPE	POS.	TE PN

THIS DRAWING IS A CONTROLLED DOCUMENT.

DIMENSIONS: mm	TOLERANCES UNLESS OTHERWISE SPECIFIED:	DWN: HAO WANG 11AUG2015	TE Connectivity M12X1 RIGHT ANGLE PLUG, FREE END A-CODE, UNSHIELDED,
		CHK: KOBBY ZHAO 11AUG2015	
		APVD: XIANG XU 11AUG2015	
		PRODUCT SPEC: 108-106140	
MATERIAL		APPLICATION SPEC: -	SIZE: A2
		WEIGHT: -	CAGE CODE: -
		CUSTOMER DRAWING	DRAWING NO: C-T41512X00XX00X
		SCALE: 2:1	RESTRICTED TO: B

X-ON Electronics

Largest Supplier of Electrical and Electronic Components

Click to view similar products for [Sensor Cables / Actuator Cables](#) category:

Click to view products by [TE Connectivity](#) manufacturer:

Other Similar products are found below :

[60963](#) [60964](#) [703000D02F2002](#) [703001D02F0602](#) [703001D02F300](#) [704000D02F120](#) [773032K02F030](#) [802027107404-1](#) [802027213811-1](#)
[804001A09M150](#) [805001A09M0502](#) [84914-0235](#) [84914-0237](#) [885030A09M020](#) [1200651332](#) [1200651713](#) [1200660844](#) [1200660845](#)
[1200661173](#) [1200680071](#) [1200720053](#) [1200720081](#) [1200720099](#) [1200720217](#) [1200800231](#) [1200860125](#) [1200870123](#) [1200980102](#)
[1200650267](#) [1200650298](#) [1200660183](#) [1200660782](#) [1200660849](#) [1200661295](#) [1200661297](#) [1200661342](#) [1200661343](#) [1200670080](#)
[1200670220](#) [1200680331](#) [1200720252](#) [1200730184](#) [1200860344](#) [1200870359](#) [1200870643](#) [1200980008](#) [1200980031](#) [1210502211](#)
[1210400542](#) [1211810021](#)