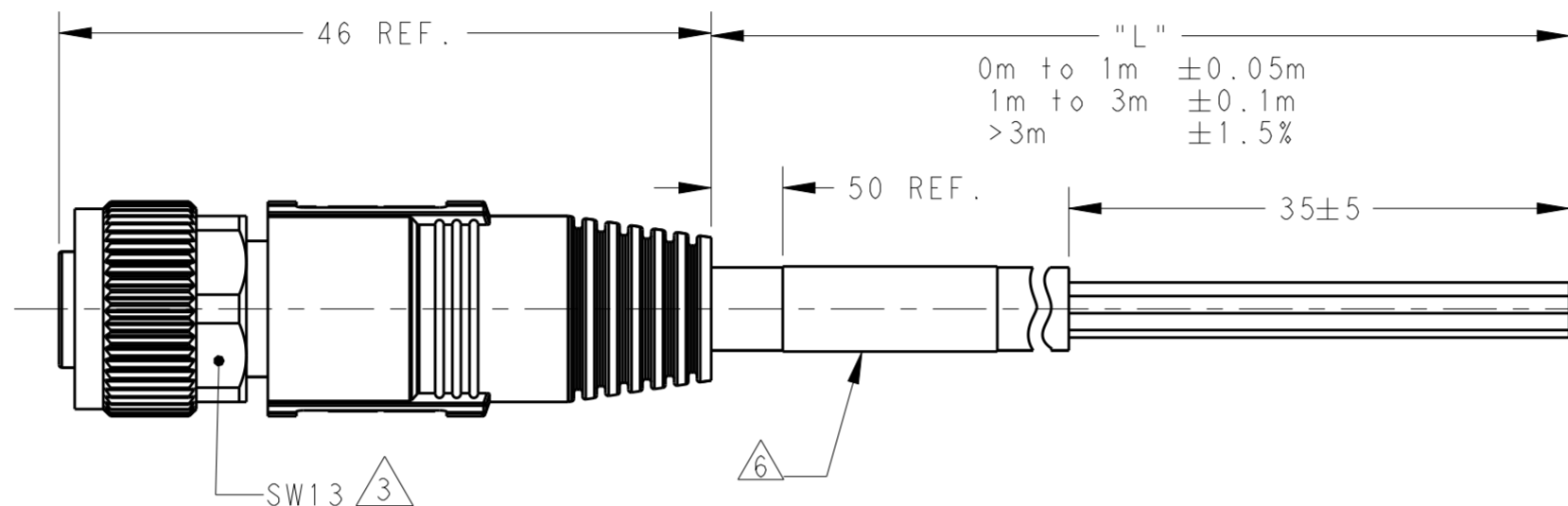
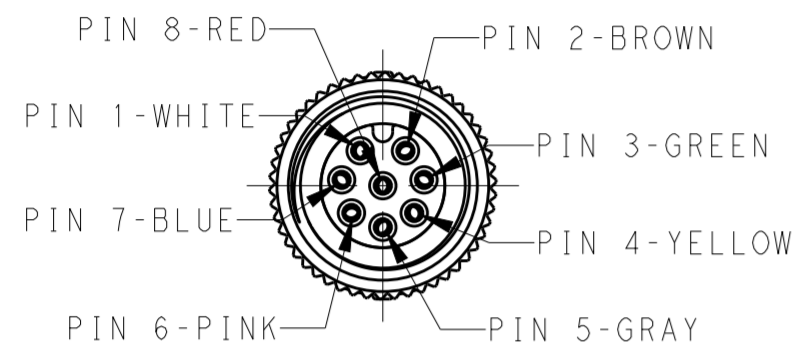


THIS DRAWING IS UNPUBLISHED. RELEASED FOR PUBLICATION 20
 © COPYRIGHT 20 BY - ALL RIGHTS RESERVED.

ITEM	DESCRIPTION	MATERIAL	OTHERS
1	FEMALE CONTACT	COPPER ALLOY	FLASH GOLD
2	HOUSING	NYLON	BLACK
3	COUPLING NUT	COPPER ALLOY	-
4	OVER-MOLDING	POLYURETHANE	BLUE
5	CABLE	-	-
6	LABEL	-	-

REVISIONS					
P	LTR	DESCRIPTION	DATE	DWN	APVD
	A	INITIAL RELEASE	05DEC2016	HW	XX
	A1	ECR-18-016060	13OCT2018	G.W	C.W



NOTE:

1. TECHNICAL DATA: SEE TABLE 1
2. CODE POSITION INDICATOR
3. RECOMMENDED TORQUE 0.6 Nm
4. -X.X: CABLE LENGTH
 -0.5:0.5M,
 -1.0:1.0M,
 -1.5:1.5M,
5. CABLE ASSEMBLY TO BE PACKAGED IN POLYBAGS
6. LABEL CONTAINS: PN, DATE CODE...
7. SEE TABLE 2, REFER TO LENGTH "L"
 CABLE LENGTH CODE:
 STANDARD LENGTH: 001...007
 CUSTOMIZATION LENGTH: >1.0M; XX0 OR XX5
 EXAMPLE: 3.5M:035; 15.0M:150...
 <1.0M; 99X
 EXAMPLE: 0.4M:994; ...0.9M:999

注释:

1. 技术参数: 参考表 1
2. CODE位置指示
3. 推荐扭矩0.6 Nm
4. -X.X: 线缆长度
 -0.5:0.5M,
 -1.0:1.0M,
 -1.5:1.5M,
5. 线缆组件塑料袋包装
6. 标签包含: 产品编号, 日期代码...
7. 参照表2, 参考长度"L"
 线缆长度编码:
 标准长度: 001...007
 定制长度: >1.0M; XX0 或 XX5
 例如: 3.5M:035; 15.0M:150...
 <1.0M; 99X
 例如: 0.4M:994; ...0.9M:999

TABLE 1

TECHNICAL DATA	T41513X00X8-00X
RATED VOLTAGE	MAX. 30V AC/DC
RATED CURRENT	MAX. 2A
POLLUTION DEGREE	3
OVERVOLTAGE CATEGORY	II
MATERIAL GROUP	II
DEGREE OF PROTECTION	IP67

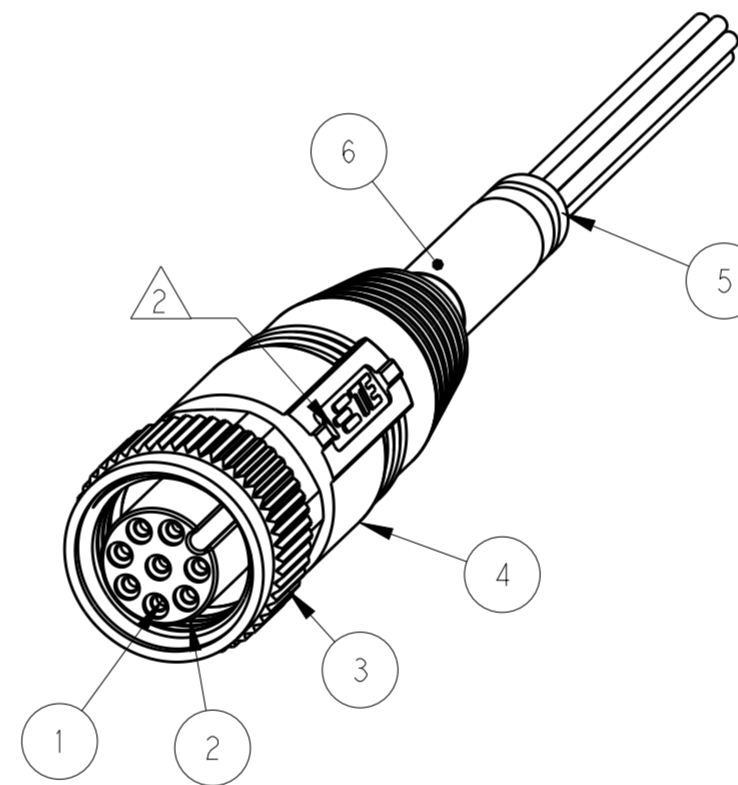


TABLE 2

WIRES: 0.25mm ² (24AWG) WIRE COLOR: WHITE/BROWN/GREEN/YELLOW/ GRAY/PINK/BLUE/RED OD: APPROX.6.0MM FOR 8P	STANDARD: -001:0.5M -002:1.0M -003:1.5M -004:3.0M -005:5.0M -006:7.0M -007:10.0M CUSTOMIZATION: -XX0:XX.0 M -XX5:XX.5 M -99X: 0.X M	FIXED: -40°C~+80°C FLXIBLE: -25°C~+80°C	YELLOW	PUR	RPC-M12-FS-8CON-PUR1-X.X ⁴	8	T4151320068-00X ⁷
			GRAY	PUR	RPC-M12-FS-8CON-PUR-X.X ⁴	8	T4151320008-00X ⁷
			BLACK	PVC	RPC-M12-FS-8CON-PVC-X.X ⁴	8	T4151310008-00X ⁷
CABLE CHARACTERISTIC 线缆特性	LENGTH "L" 长度 "L"	CABLE TEMP. RANGE	JACKET COLOR	JACKET MATERIAL	TYPE 型号	POS.	TE PN TE 料号

THIS DRAWING IS A CONTROLLED DOCUMENT.

DWN HAO WANG 24AUG2016	TE Connectivity
CHK KOBBY ZHAO 24AUG2016	
APVD XIANG XU 24AUG2016	
PRODUCT SPEC 108-106140	
MATERIAL	NAME M12X1 STRAIGHT RECEPTACLE, FREE END A-CODE, 8P UN-SHIELDED,
TOLERANCES UNLESS OTHERWISE SPECIFIED:	SIZE A2
0 PLC ±	CAGE CODE
1 PLC ±	DRAWING NO G-T41513X000800X
2 PLC ±	RESTRICTED TO
3 PLC ±	SCALE 2:1
4 PLC ±	SHEET 1 OF 1
ANGLES ±	REV A1
FINISH	CUSTOMER DRAWING

X-ON Electronics

Largest Supplier of Electrical and Electronic Components

Click to view similar products for [Sensor Cables / Actuator Cables](#) category:

Click to view products by [TE Connectivity](#) manufacturer:

Other Similar products are found below :

[60963](#) [60964](#) [703000D02F2002](#) [703001D02F0602](#) [703001D02F300](#) [704000D02F120](#) [773032K02F030](#) [802027107404-1](#) [802027213811-1](#)
[804001A09M150](#) [805001A09M0502](#) [84914-0235](#) [84914-0237](#) [885030A09M020](#) [1200651332](#) [1200651713](#) [1200660844](#) [1200660845](#)
[1200661173](#) [1200680071](#) [1200720053](#) [1200720081](#) [1200720099](#) [1200720217](#) [1200800231](#) [1200860125](#) [1200870123](#) [1200980102](#)
[1200650267](#) [1200650298](#) [1200660183](#) [1200660782](#) [1200660849](#) [1200661295](#) [1200661297](#) [1200661342](#) [1200661343](#) [1200670080](#)
[1200670220](#) [1200680331](#) [1200720252](#) [1200730184](#) [1200860344](#) [1200870359](#) [1200870643](#) [1200980008](#) [1200980031](#) [1210502211](#)
[1210400542](#) [1211810021](#)