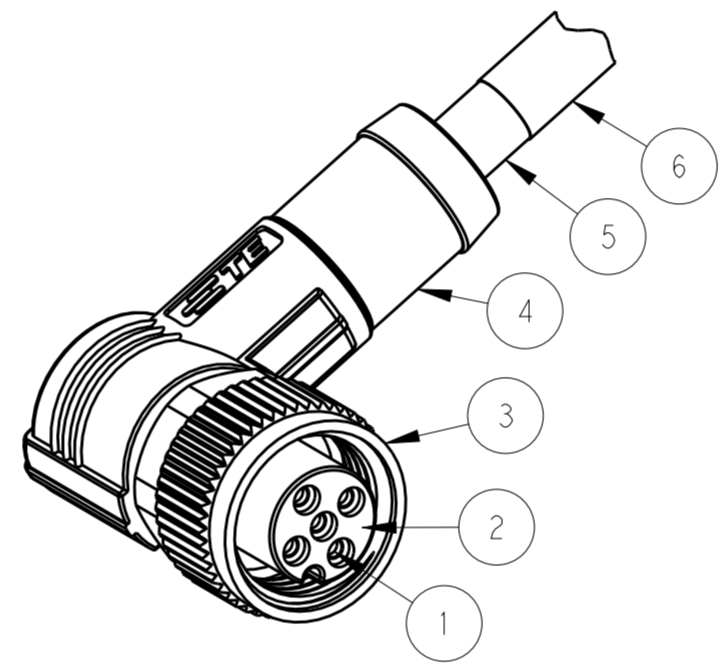
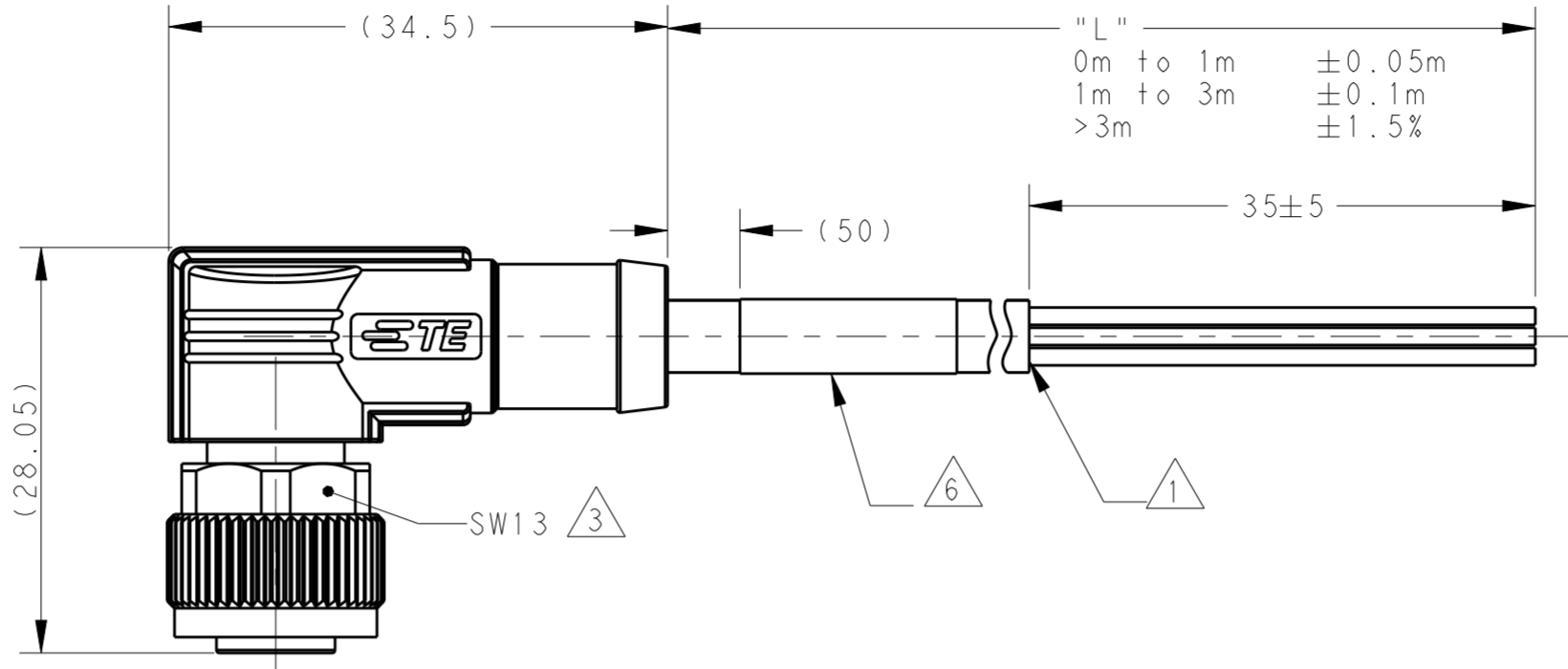
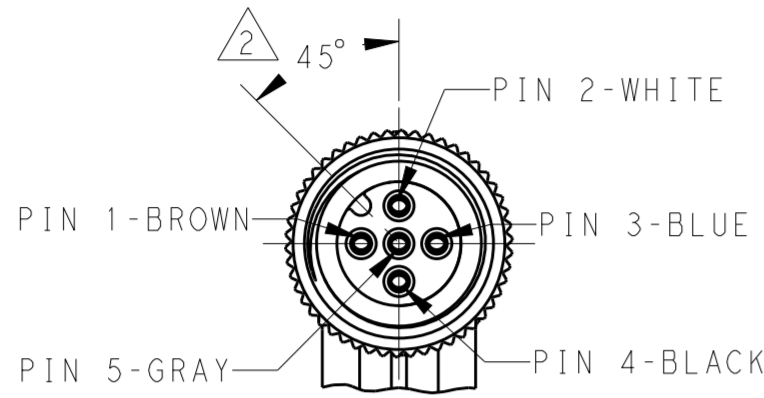


THIS DRAWING IS UNPUBLISHED. RELEASED FOR PUBLICATION 20  
 © COPYRIGHT 20 BY - ALL RIGHTS RESERVED.

| ITEM | DESCRIPTION    | MATERIAL     | OTHERS     |
|------|----------------|--------------|------------|
| 1    | FEMALE CONTACT | COPPER ALLOY | FLASH GOLD |
| 2    | HOUSING        | NYLON        | BLACK      |
| 3    | COUPLING NUT   | COPPER ALLOY | -          |
| 4    | OVER-MOLDING   | POLYURETHANE | BLUE       |
| 5    | CABLE          | -            | -          |
| 6    | LABEL          | -            | -          |



| REVISIONS |     |                           |           |     |      |
|-----------|-----|---------------------------|-----------|-----|------|
| P         | LTR | DESCRIPTION               | DATE      | DWN | APVD |
|           | A   | INITIAL RELEASE           | 21AUG2015 | HW  | XX   |
|           | A1  | ECR-16-010106             | 14JUL2016 | HW  | XX   |
|           | A2  | ECR-16-015173, ADD NEW PN | 29OCT2016 | BP  | CW   |
|           | B   | ECR-18-019963             | 28DEC2018 | G.W | C.W  |

NOTE:  
 ①. STRIP ALL THE INSULATION;  
 ②. CODE POSITION INDICATOR;  
 ③. RECOMMENDED TORQUE 0.6 Nm;  
 ④. -\*\* : CABLE LENGTH  
 -0.5:0.5M,  
 -1.0:1.0M,  
 -1.5:1.5M,  
 -3.0:3.0M,  
 -5.0:5.0M,  
 -7.0:7.0M,  
 -10.0:10.0M;  
 5. CABLE ASSEMBLY TO BE PACKAGED IN POLYBAGS:  
 ⑥. LABEL CONTAINS: PN, DATE CODE...;  
 ⑦. -00X: FOR CABLE LENGTH, SEE TABLE E AND REFER TO LENGTH "L".

注释:  
 ①. 全剥护套绝缘层;  
 ②. CODE位置指示;  
 ③. 推荐扭矩0.6 Nm;  
 ④. -\*\* : 线缆长度  
 -0.5:0.5M,  
 -1.0:1.0M,  
 -1.5:1.5M,  
 -3.0:3.0M,  
 -5.0:5.0M,  
 -7.0:7.0M,  
 -10.0:10.0M;  
 5. 线缆组件塑料袋包装;  
 ⑥. 标签包含: 产品编号, 日期代码...;  
 ⑦. -00X: 线缆长度, 参考表2, 参照长度 "L".

| TECHNICAL DATA        |                 |                 |                 |                 |
|-----------------------|-----------------|-----------------|-----------------|-----------------|
|                       | T41514X0002-00X | T41514X0003-00X | T41514X0004-00X | T41514X0005-00X |
| RATED VOLTAGE         |                 | 250V            |                 | 60V             |
| RATED IMPULSE VOLTAGE |                 | 2500V           |                 | 1500V           |
| RATED CURRENT         |                 |                 | 4A              |                 |
| POLLUTION DEGREE      |                 |                 | 3               |                 |
| OVERVOLTAGE CATEGORY  |                 |                 | II              |                 |
| MATERIAL GROUP        |                 |                 | II              |                 |
| DEGREE OF PROTECTION  |                 |                 | IP67            |                 |

| PIN ARRANGEMENT A-CODE |                 |                 |
|------------------------|-----------------|-----------------|
| T41514X0002-00X        | T41514X0003-00X | T41514X0004-00X |
|                        |                 |                 |
| T41514X0005-00X        |                 |                 |
|                        |                 |                 |

| WIRES                                                                                                                    | STANDARD                                                                                                     | FIXED                 | FLXIBLE                | JACKET COLOR    | JACKET MATERIAL | TYPE                        | POS.  | TE PN            |
|--------------------------------------------------------------------------------------------------------------------------|--------------------------------------------------------------------------------------------------------------|-----------------------|------------------------|-----------------|-----------------|-----------------------------|-------|------------------|
| WIRES: 0.50mm <sup>2</sup> (20AWG)<br>WIRE COLOR: WH/BR/BK/BL/GR<br>OD: APPROX.4.5MM FOR 2P/3P<br>APPROX.5.0MM FOR 4P/5P | STANDARD:<br>-001:0.5 M<br>-002:1.0 M<br>-003:1.5 M<br>-004:3.0 M<br>-005:5.0 M<br>-006:7.0 M<br>-007:10.0 M | FIXED:<br>-10°C~+80°C | FLXIBLE:<br>-5°C~+80°C | BLACK           | PVC (UL)        | RPC-M12-FR-5CON-PVC-**S0.5④ | 5     | T4151450005-00X⑦ |
|                                                                                                                          |                                                                                                              |                       |                        |                 |                 | RPC-M12-FR-4CON-PVC-**S0.5④ | 4     | T4151450004-00X⑦ |
|                                                                                                                          |                                                                                                              |                       |                        |                 |                 | RPC-M12-FR-3CON-PVC-**S0.5④ | 3     | T4151450003-00X⑦ |
|                                                                                                                          |                                                                                                              |                       |                        |                 |                 | RPC-M12-FR-2CON-PVC-**S0.5④ | 2     | T4151450002-00X⑦ |
|                                                                                                                          |                                                                                                              |                       |                        |                 |                 | RPC-M12-FR-5CON-PUR-**④     | 5     | T4151420005-00X⑦ |
|                                                                                                                          |                                                                                                              |                       |                        |                 |                 | RPC-M12-FR-4CON-PUR-**④     | 4     | T4151420004-00X⑦ |
|                                                                                                                          |                                                                                                              |                       |                        |                 |                 | RPC-M12-FR-3CON-PUR-**④     | 3     | T4151420003-00X⑦ |
|                                                                                                                          |                                                                                                              |                       |                        |                 |                 | RPC-M12-FR-2CON-PUR-**④     | 2     | T4151420002-00X⑦ |
|                                                                                                                          |                                                                                                              |                       |                        |                 |                 | RPC-M12-FR-5CON-PVC-**④     | 5     | T4151410005-00X⑦ |
|                                                                                                                          |                                                                                                              |                       |                        |                 |                 | RPC-M12-FR-4CON-PVC-**④     | 4     | T4151410004-00X⑦ |
|                                                                                                                          |                                                                                                              |                       |                        |                 |                 | RPC-M12-FR-3CON-PVC-**④     | 3     | T4151410003-00X⑦ |
|                                                                                                                          |                                                                                                              |                       |                        |                 |                 | RPC-M12-FR-2CON-PVC-**④     | 2     | T4151410002-00X⑦ |
| CABLE CHARACTERISTIC                                                                                                     | LENGTH "L"                                                                                                   | CABLE TEMP. RANGE     | JACKET COLOR           | JACKET MATERIAL | TYPE            | POS.                        | TE PN |                  |

THIS DRAWING IS A CONTROLLED DOCUMENT.

|                |                                        |                                                        |                              |
|----------------|----------------------------------------|--------------------------------------------------------|------------------------------|
| DIMENSIONS: mm | TOLERANCES UNLESS OTHERWISE SPECIFIED: | DWN HAO WANG 11AUG2015                                 | TE Connectivity              |
|                |                                        | CHK KOBBY ZHAO 11AUG2015                               |                              |
|                |                                        | APVD XIANG XU 11AUG2015                                |                              |
|                |                                        | NAME M12X1 RA RECEPTACLE, FREE END A-CODE, UNSHIELDED, |                              |
| MATERIAL       |                                        | PRODUCT SPEC 108-106140                                | SIZE A2                      |
|                |                                        | APPLICATION SPEC                                       | CAGE CODE                    |
|                |                                        | WEIGHT                                                 | DRAWING NO. C-T41514X00XX00X |
|                |                                        | CUSTOMER DRAWING                                       | RESTRICTED TO                |

SCALE 2:1 SHEET 1 OF 1 REV B

## X-ON Electronics

Largest Supplier of Electrical and Electronic Components

*Click to view similar products for [Sensor Cables / Actuator Cables](#) category:*

*Click to view products by [TE Connectivity](#) manufacturer:*

Other Similar products are found below :

[60963](#) [60964](#) [703000D02F2002](#) [703001D02F0602](#) [703001D02F300](#) [704000D02F120](#) [773032K02F030](#) [802027107404-1](#) [802027213811-1](#)  
[804001A09M150](#) [805001A09M0502](#) [84914-0235](#) [84914-0237](#) [885030A09M020](#) [1200651332](#) [1200651713](#) [1200660844](#) [1200660845](#)  
[1200661173](#) [1200680071](#) [1200720053](#) [1200720081](#) [1200720099](#) [1200720217](#) [1200800231](#) [1200860125](#) [1200870123](#) [1200980102](#)  
[1200650267](#) [1200650298](#) [1200660183](#) [1200660782](#) [1200660849](#) [1200661295](#) [1200661297](#) [1200661342](#) [1200661343](#) [1200670080](#)  
[1200670220](#) [1200680331](#) [1200720252](#) [1200730184](#) [1200860344](#) [1200870359](#) [1200870643](#) [1200980008](#) [1200980031](#) [1210502211](#)  
[1210400542](#) [1211810021](#)