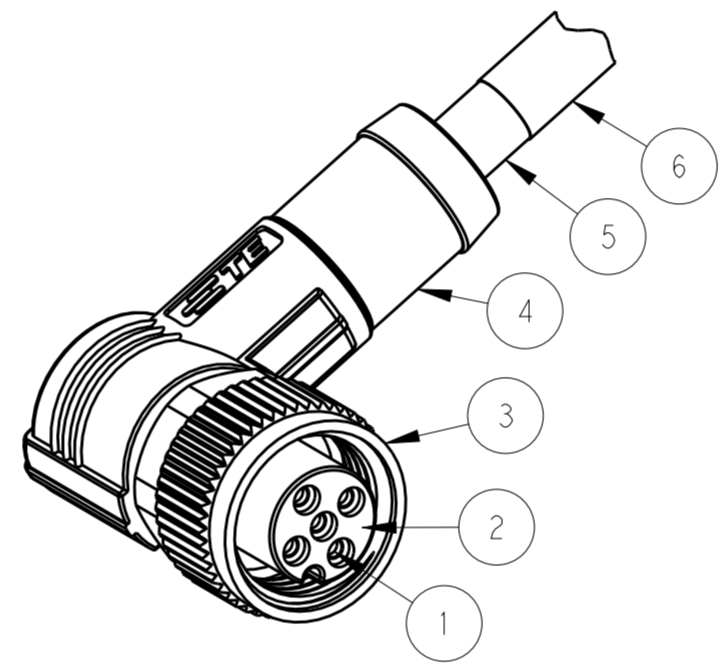
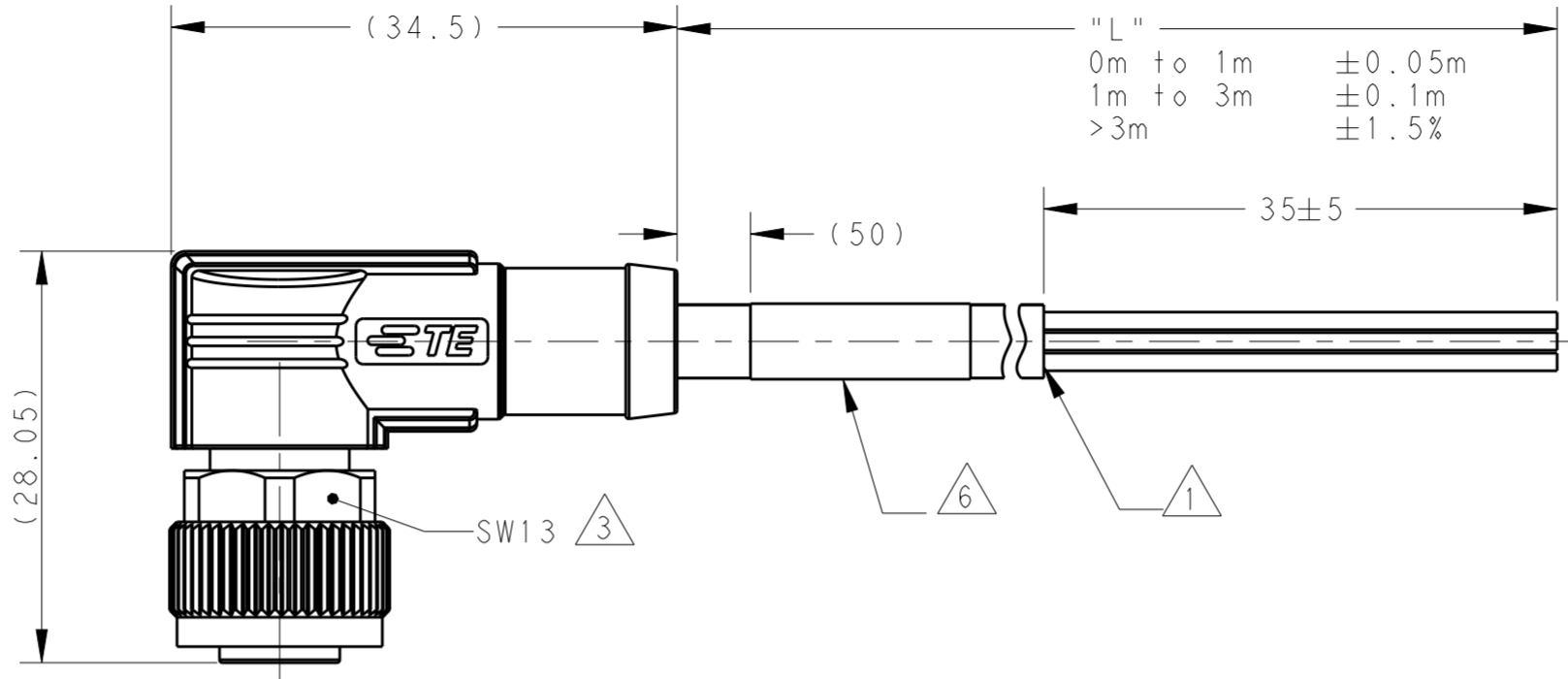
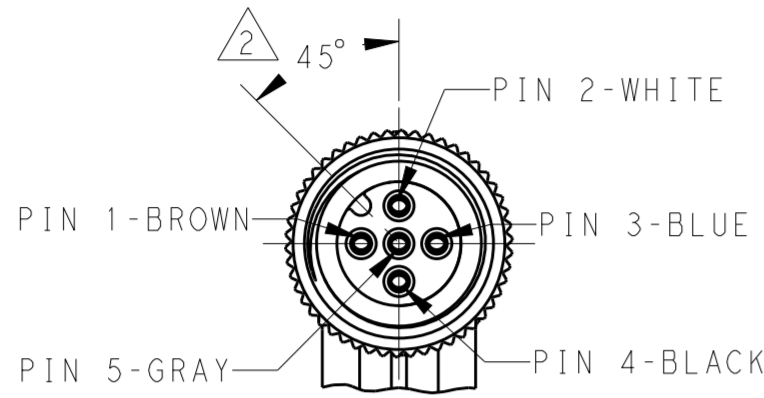


THIS DRAWING IS UNPUBLISHED. RELEASED FOR PUBLICATION 20
 © COPYRIGHT 20 BY - ALL RIGHTS RESERVED.

| ITEM | DESCRIPTION | MATERIAL | OTHERS |
|------|----------------|--------------|------------|
| 1 | FEMALE CONTACT | COPPER ALLOY | FLASH GOLD |
| 2 | HOUSING | NYLON | BLACK |
| 3 | COUPLING NUT | COPPER ALLOY | - |
| 4 | OVER-MOLDING | POLYURETHANE | BLUE |
| 5 | CABLE | - | - |
| 6 | LABEL | - | - |



| REVISIONS | | | | |
|-----------|-----|---------------------------|-----------|---------|
| P | LTR | DESCRIPTION | DATE | APVD |
| | A | INITIAL RELEASE | 21AUG2015 | HW XX |
| | A1 | ECR-16-010106 | 14JUL2016 | HW XX |
| | A2 | ECR-16-015173, ADD NEW PN | 29OCT2016 | BP CW |
| | B | ECR-18-019963 | 28DEC2018 | G.W C.W |

NOTE:
 ①. STRIP ALL THE INSULATION;
 ②. CODE POSITION INDICATOR;
 ③. RECOMMENDED TORQUE 0.6 Nm;
 ④. -** : CABLE LENGTH
 -0.5:0.5M,
 -1.0:1.0M,
 -1.5:1.5M,
 -3.0:3.0M,
 -5.0:5.0M,
 -7.0:7.0M,
 -10.0:10.0M;
 5. CABLE ASSEMBLY TO BE PACKAGED IN POLYBAGS:
 ⑥. LABEL CONTAINS: PN, DATE CODE...;
 ⑦. -00X: FOR CABLE LENGTH, SEE TABLE E AND REFER TO LENGTH "L".

注释:
 ①. 全剥护套绝缘层;
 ②. CODE位置指示;
 ③. 推荐扭矩0.6 Nm;
 ④. -** : 线缆长度
 -0.5:0.5M,
 -1.0:1.0M,
 -1.5:1.5M,
 -3.0:3.0M,
 -5.0:5.0M,
 -7.0:7.0M,
 -10.0:10.0M;
 5. 线缆组件塑料袋包装;
 ⑥. 标签包含: 产品编号, 日期代码...;
 ⑦. -00X: 线缆长度, 参考表2, 参照长度 "L".

| TECHNICAL DATA | T41514X0002-00X | T41514X0003-00X | T41514X0004-00X | T41514X0005-00X |
|-----------------------|-----------------|-----------------|-----------------|-----------------|
| RATED VOLTAGE | 250V | | 60V | |
| RATED IMPULSE VOLTAGE | 2500V | | 1500V | |
| RATED CURRENT | 4A | | | |
| POLLUTION DEGREE | 3 | | | |
| OVERVOLTAGE CATEGORY | II | | | |
| MATERIAL GROUP | II | | | |
| DEGREE OF PROTECTION | IP67 | | | |

| PIN ARRANGEMENT A-CODE | | |
|------------------------|-----------------|-----------------|
| T41514X0002-00X | T41514X0003-00X | T41514X0004-00X |
| | | |
| T41514X0005-00X | | |
| | | |

| WIRES | STANDARD | FIXED | FLXIBLE | JACKET COLOR | JACKET MATERIAL | TYPE | POS. | TE PN |
|---|---|-------------------|------------|--------------|-----------------|-----------------------------|------|------------------|
| 0.50mm ² (20AWG) WIRE COLOR: WH/BR/BK/BL/GR OD: APPROX.4.5MM FOR 2P/3P APPROX.5.0MM FOR 4P/5P | -001:0.5 M -002:1.0 M -003:1.5 M -004:3.0 M -005:5.0 M -006:7.0 M -007:10.0 M | -10°C~+80°C | -5°C~+80°C | BLACK | PVC (UL) | RPC-M12-FR-5CON-PVC-**S0.5④ | 5 | T4151450005-00X⑦ |
| | | | | | | RPC-M12-FR-4CON-PVC-**S0.5④ | 4 | T4151450004-00X⑦ |
| | | | | | | RPC-M12-FR-3CON-PVC-**S0.5④ | 3 | T4151450003-00X⑦ |
| | | | | | | RPC-M12-FR-2CON-PVC-**S0.5④ | 2 | T4151450002-00X⑦ |
| | | | | | | RPC-M12-FR-5CON-PUR-**④ | 5 | T4151420005-00X⑦ |
| | | | | | | RPC-M12-FR-4CON-PUR-**④ | 4 | T4151420004-00X⑦ |
| | | | | | | RPC-M12-FR-3CON-PUR-**④ | 3 | T4151420003-00X⑦ |
| | | | | | | RPC-M12-FR-2CON-PUR-**④ | 2 | T4151420002-00X⑦ |
| | | | | | | RPC-M12-FR-5CON-PVC-**④ | 5 | T4151410005-00X⑦ |
| | | | | | | RPC-M12-FR-4CON-PVC-**④ | 4 | T4151410004-00X⑦ |
| | | | | | | RPC-M12-FR-3CON-PVC-**④ | 3 | T4151410003-00X⑦ |
| | | | | | | RPC-M12-FR-2CON-PVC-**④ | 2 | T4151410002-00X⑦ |
| CABLE CHARACTERISTIC | LENGTH "L" | CABLE TEMP. RANGE | | JACKET COLOR | JACKET MATERIAL | | | |

THIS DRAWING IS A CONTROLLED DOCUMENT.

| | | | |
|----------------|--|--------------------------|--|
| DIMENSIONS: mm | TOLERANCES UNLESS OTHERWISE SPECIFIED: | DWN HAO WANG 11AUG2015 | TE Connectivity |
| | | CHK KOBBY ZHAO 11AUG2015 | |
| | | APVD XIANG XU 11AUG2015 | |
| MATERIAL | | PRODUCT SPEC 108-106140 | NAME M12X1 RA RECEPTACLE, FREE END A-CODE, UNSHIELDED, |
| | | APPLICATION SPEC | SIZE A2 CAGE CODE - DRAWING NO. C-T41514X00XX00X RESTRICTED TO |
| | | WEIGHT | SCALE 2:1 SHEET 1 OF 1 REV B |
| | | CUSTOMER DRAWING | |

X-ON Electronics

Largest Supplier of Electrical and Electronic Components

Click to view similar products for [Sensor Cables / Actuator Cables](#) category:

Click to view products by [TE Connectivity](#) manufacturer:

Other Similar products are found below :

[60963](#) [60964](#) [703000D02F2002](#) [703001D02F0602](#) [703001D02F300](#) [704000D02F120](#) [773032K02F030](#) [802027107404-1](#) [802027213811-1](#)
[804001A09M150](#) [805001A09M0502](#) [84914-0235](#) [84914-0237](#) [885030A09M020](#) [1200651332](#) [1200651713](#) [1200660844](#) [1200660845](#)
[1200661173](#) [1200680071](#) [1200720053](#) [1200720081](#) [1200720099](#) [1200720217](#) [1200800231](#) [1200860125](#) [1200870123](#) [1200980102](#)
[1200650267](#) [1200650298](#) [1200660183](#) [1200660782](#) [1200660849](#) [1200661295](#) [1200661297](#) [1200661342](#) [1200661343](#) [1200670080](#)
[1200670220](#) [1200680331](#) [1200720252](#) [1200730184](#) [1200860344](#) [1200870359](#) [1200870643](#) [1200980008](#) [1200980031](#) [1210502211](#)
[1210400542](#) [1211810021](#)