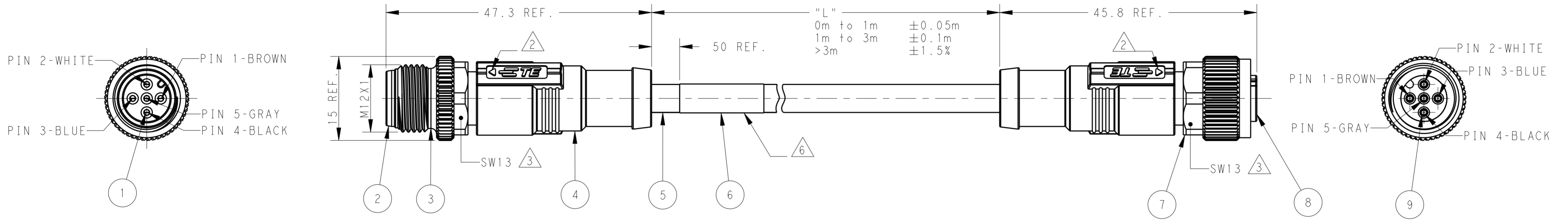
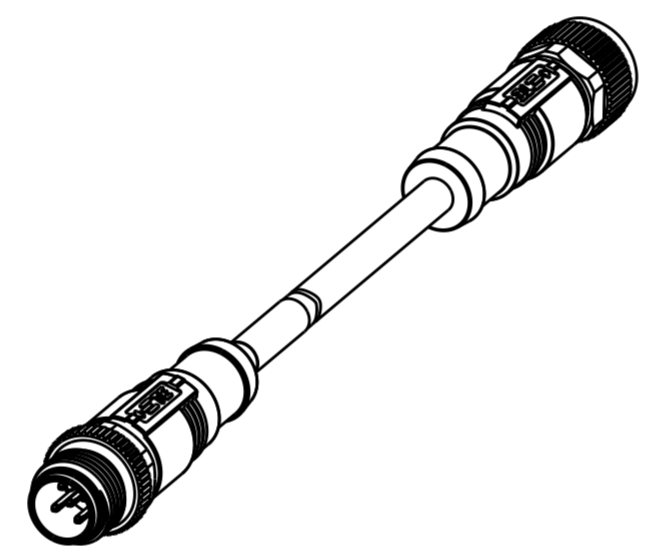


REVISIONS					
P	LTR	DESCRIPTION	DATE	DWN	APVD
A		INITIAL RELEASE	22SEP2019	HW	XX
A1		ECR-17-002485 ADD NEW PN	04MAR2017	BP	CW
A2		ECR-17-005215 ADD NEW PN	04APR2017	GW	CW



ITEM	DESCRIPTION	MATERIAL	OTHERS
1	MALE CONTACT	COPPER ALLOY	FLASH GOLD
2	MALE HOUSING	NYLON	BLACK
3	MALE NUT	COPPER ALLOY	NICKEL PLATED
4	OVER-MOLDING	POLYURETHANE	BLUE
5	CABLE	-	-
6	LABEL	-	-
7	FEMALE NUT	COPPER ALLOY	NICKEL PLATED
8	FEMALE HOUSING	NYLON	BLACK
9	FEMALE CONTACT	COPPER ALLOY	FLASH GOLD

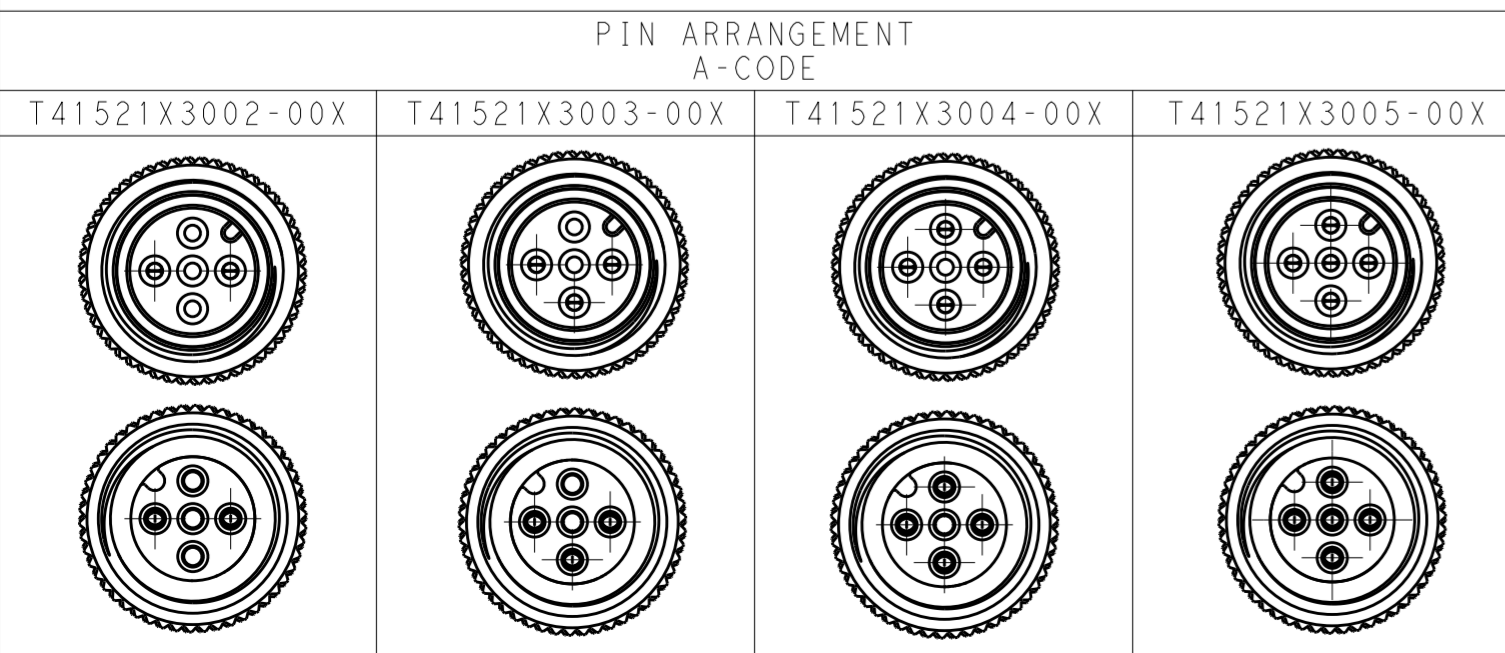


NOTE:
 △ TECHNICAL DATA: SEE TABLE 1
 △ CODE POSITION INDICATOR
 △ RECOMMENDED TORQUE 0.6 Nm
 △ -*: CABLE LENGTH
 -0.5:0.5M,
 -1.0:1.0M,
 -1.5:1.5M,
 -3.0:3.0M,
 -5.0:5.0M,
 -7.0:7.0M,
 -10.0:10.0M,
 5. CABLE ASSEMBLY TO BE PACKAGED IN POLYBAGS
 △ LABEL CONTAINS: PN, DATE CODE...
 △ -00X: FOR CABLE LENGTH, SEE TABLE 1 AND REFER TO LENGTH "L".

注释:
 △ 技术参数: 参考表1
 △ CODE位置指示
 △ 推荐扭矩0.6 Nm
 △ -*: 线缆长度
 -0.5:0.5M,
 -1.0:1.0M,
 -1.5:1.5M,
 -3.0:3.0M,
 -5.0:5.0M,
 -7.0:7.0M,
 -10.0:10.0M,
 5. 线缆组件塑料袋包装
 △ 标签包含: 产品编号, 日期代码...
 △ -00X: 线缆长度, 参考表2, 参照长度"L"

TABLE 1: TECHNICAL DATA	T41521X3002-00X	T41521X3003-00X	T41521X3004-00X	T41521X3005-00X
RATED VOLTAGE	250V	250V	60V	60V
RATED IMPULSE VOLTAGE	2500V	2500V	1500V	1500V
RATED CURRENT	4A	4A		
POLLUTION DEGREE	3	3		
OVERVOLTAGE CATEGORY	II	II		
MATERIAL GROUP	II	II		
DEGREE OF PROTECTION	IP67	IP67		

CABLE CHARACTERISTIC	LENGTH "L"	CABLE TEMP. RANGE	JACKET COLOR	JACKET MATERIAL	TYPE	POS.	TE PN SEE LENGTH "L"
WIRES: 0.34mm ² (22AWG) WIRE COLOR: WH/BR/BK/BL/GR OD: APPROX.4.5MM FOR 2P/3P APPROX.5.0MM FOR 4P/5P STANDARD: -001:0.5 M -002:1.0 M -003:1.5 M -004:3.0 M -005:5.0 M -006:7.0 M -007:10.0 M CUSTOMIZATION: -**0:**.0 M -**5:**.5 M	FIXED: -10°C~+80°C FLXIBLE: -5°C~+80°C FIXED: -40°C~+80°C FLXIBLE: -25°C~+80°C FIXED: -10°C~+80°C FLXIBLE: -5°C~+80°C	GRAY	PVC (UL)	RPC-M12-5MS-**-△-M12-5FS-PVC1	5	T4152173005-00X△	
				RPC-M12-4MS-**-△-M12-4FS-PVC1	4	T4152173004-00X△	
				RPC-M12-3MS-**-△-M12-3FS-PVC1	3	T4152173003-00X△	
				RPC-M12-2MS-**-△-M12-2FS-PVC1	2	T4152173002-00X△	
		YELLOW	PUR(UL)	RPC-M12-3MS-**-△-M12-3FS-PUR2	3	T4152183003-00X△	
				RPC-M12-5MS-**-△-M12-5FS-PUR	5	T4152123005-00X△	
				RPC-M12-4MS-**-△-M12-4FS-PUR	4	T4152123004-00X△	
				RPC-M12-3MS-**-△-M12-3FS-PUR	3	T4152123003-00X△	
		GRAY	PUR (UL)	RPC-M12-2MS-**-△-M12-2FS-PUR	2	T4152123002-00X△	
				RPC-M12-5MS-**-△-M12-5FS-PVC	5	T4152113005-00X△	
				RPC-M12-4MS-**-△-M12-4FS-PVC	4	T4152113004-00X△	
				RPC-M12-3MS-**-△-M12-3FS-PVC	3	T4152113003-00X△	
BLACK	PVC (UL)	RPC-M12-2MS-**-△-M12-2FS-PVC	2	T4152113002-00X△			



THIS DRAWING IS A CONTROLLED DOCUMENT.

DWN: HAO WANG 22SEP2016
 CHK: KOBBY ZHAO 22SEP2016
 APVD: XIANG XU 22SEP2016

NAME: M12X1 MALE STR. TO FEMALE STR. A-CODE, UNSHIELDED,
 PRODUCT SPEC: 108-106140
 APPLICATION SPEC: -
 WEIGHT: -
 CUSTOMER DRAWING

SCALE: 1:1 SHEET 1 OF 1 REV A2

STE TE Connectivity

X-ON Electronics

Largest Supplier of Electrical and Electronic Components

Click to view similar products for [Sensor Cables / Actuator Cables](#) category:

Click to view products by [TE Connectivity](#) manufacturer:

Other Similar products are found below :

[60963](#) [60964](#) [703000D02F2002](#) [703001D02F0602](#) [703001D02F300](#) [704000D02F120](#) [773032K02F030](#) [802027107404-1](#) [802027213811-1](#)
[804001A09M150](#) [805001A09M0502](#) [84914-0235](#) [84914-0237](#) [885030A09M020](#) [1200651332](#) [1200651713](#) [1200660844](#) [1200660845](#)
[1200661173](#) [1200680071](#) [1200720053](#) [1200720081](#) [1200720099](#) [1200720217](#) [1200800231](#) [1200860125](#) [1200870123](#) [1200980102](#)
[1200650267](#) [1200650298](#) [1200660183](#) [1200660782](#) [1200660849](#) [1200661295](#) [1200661297](#) [1200661342](#) [1200661343](#) [1200670080](#)
[1200670220](#) [1200680331](#) [1200720252](#) [1200730184](#) [1200860344](#) [1200870359](#) [1200870643](#) [1200980008](#) [1200980031](#) [1210502211](#)
[1210400542](#) [1211810021](#)