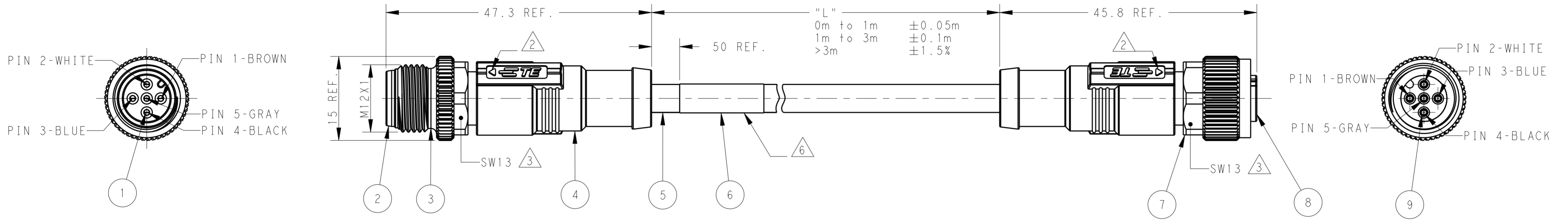


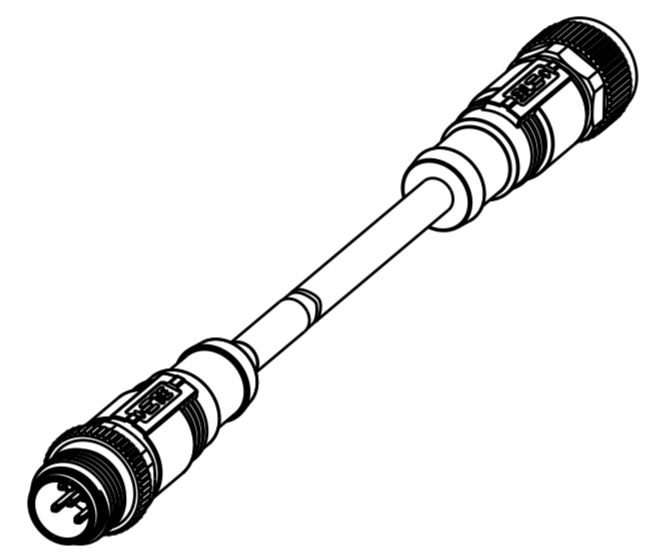
THIS DRAWING IS UNPUBLISHED. RELEASED FOR PUBLICATION 20
 © COPYRIGHT 20 BY - ALL RIGHTS RESERVED.

| REVISIONS | | | | |
|-----------|-----|--------------------------|-----------|-------|
| P | LTR | DESCRIPTION | DATE | APVD |
| A | | INITIAL RELEASE | 22SEP2019 | HW XX |
| A1 | | ECR-17-002485 ADD NEW PN | 04MAR2017 | BP CW |
| A2 | | ECR-17-005215 ADD NEW PN | 04APR2017 | GW CW |



| ITEM | DESCRIPTION | MATERIAL | OTHERS |
|------|----------------|--------------|---------------|
| 1 | MALE CONTACT | COPPER ALLOY | FLASH GOLD |
| 2 | MALE HOUSING | NYLON | BLACK |
| 3 | MALE NUT | COPPER ALLOY | NICKEL PLATED |
| 4 | OVER-MOLDING | POLYURETHANE | BLUE |
| 5 | CABLE | - | - |
| 6 | LABEL | - | - |
| 7 | FEMALE NUT | COPPER ALLOY | NICKEL PLATED |
| 8 | FEMALE HOUSING | NYLON | BLACK |
| 9 | FEMALE CONTACT | COPPER ALLOY | FLASH GOLD |

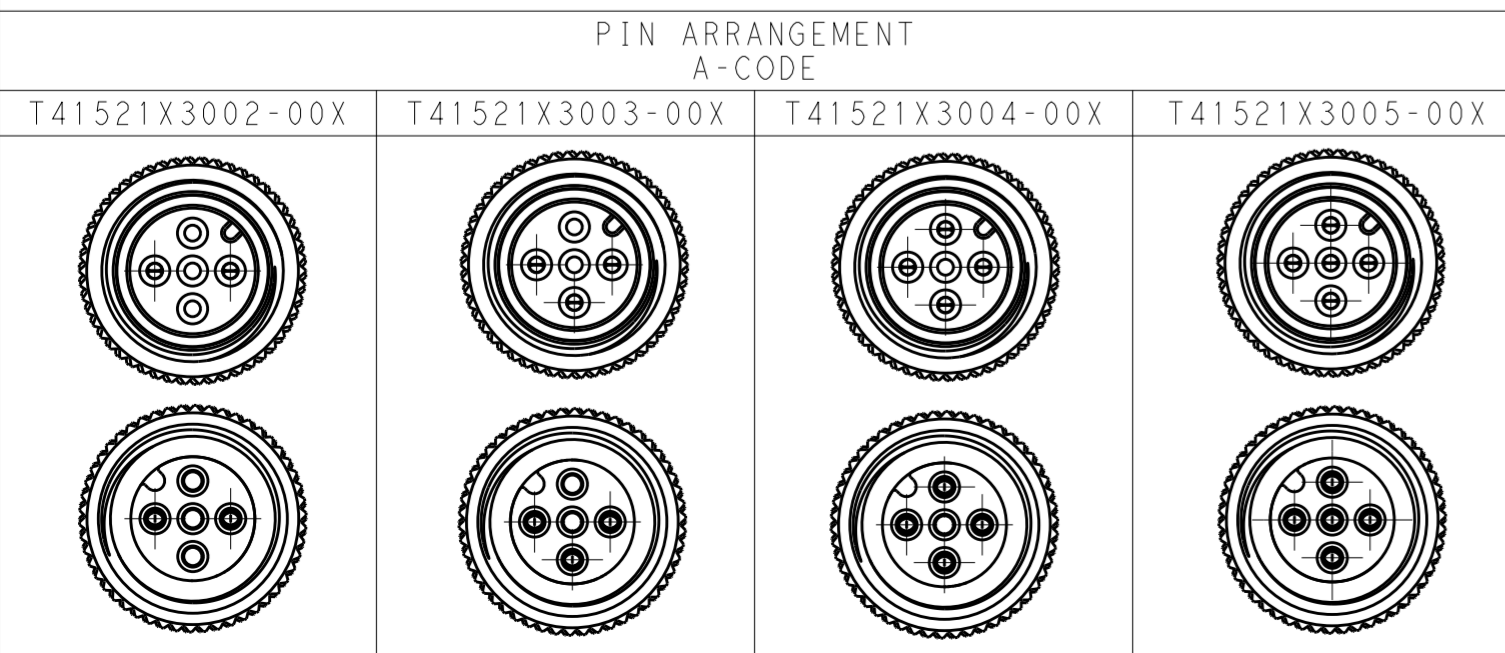
| TABLE 1: TECHNICAL DATA | T41521X3002-00X | T41521X3003-00X | T41521X3004-00X | T41521X3005-00X |
|-------------------------|-----------------|-----------------|-----------------|-----------------|
| RATED VOLTAGE | 250V | | 60V | |
| RATED IMPULSE VOLTAGE | 2500V | | 1500V | |
| RATED CURRENT | 4A | | | |
| POLLUTION DEGREE | 3 | | | |
| OVERVOLTAGE CATEGORY | II | | | |
| MATERIAL GROUP | II | | | |
| DEGREE OF PROTECTION | IP67 | | | |



NOTE:
 △1. TECHNICAL DATA: SEE TABLE 1
 △2. CODE POSITION INDICATOR
 △3. RECOMMENDED TORQUE 0.6 Nm
 △4. -*: CABLE LENGTH
 -0.5:0.5M,
 -1.0:1.0M,
 -1.5:1.5M,
 -3.0:3.0M,
 -5.0:5.0M,
 -7.0:7.0M,
 -10.0:10.0M,
 5. CABLE ASSEMBLY TO BE PACKAGED IN POLYBAGS
 △6. LABEL CONTAINS: PN, DATE CODE...
 △7. -00X: FOR CABLE LENGTH, SEE TABLE 1 AND REFER TO LENGTH "L".

注释:
 △1. 技术参数: 参考表1
 △2. CODE位置指示
 △3. 推荐扭矩0.6 Nm
 △4. -*: 线缆长度
 -0.5:0.5M,
 -1.0:1.0M,
 -1.5:1.5M,
 -3.0:3.0M,
 -5.0:5.0M,
 -7.0:7.0M,
 -10.0:10.0M,
 5. 线缆组件塑料袋包装
 △6. 标签包含: 产品编号, 日期代码...
 △7. -00X: 线缆长度, 参考表2, 参照长度"L"

| CABLE CHARACTERISTIC | LENGTH "L" | CABLE TEMP. RANGE | JACKET COLOR | JACKET MATERIAL | TYPE | POS. | TE PN SEE LENGTH "L" |
|--|--|------------------------------|--------------|-------------------------------|------|-------------------|----------------------|
| WIRES: 0.34mm ² (22AWG) WIRE COLOR: WH/BR/BK/BL/GR OD: APPROX.4.5MM FOR 2P/3P APPROX.5.0MM FOR 4P/5P STANDARD: -001:0.5 M -002:1.0 M -003:1.5 M -004:3.0 M -005:5.0 M -006:7.0 M -007:10.0 M CUSTOMIZATION: -**0:**.0 M -**5:**.5 M | FIXED: -10°C~+80°C FLXIBLE: -5°C~+80°C FIXED: -40°C~+80°C FLXIBLE: -25°C~+80°C FIXED: -10°C~+80°C FLXIBLE: -5°C~+80°C | GRAY | PVC (UL) | RPC-M12-5MS-**△4-M12-5FS-PVC1 | 5 | T4152173005-00X△4 | |
| | | | | RPC-M12-4MS-**△4-M12-4FS-PVC1 | 4 | T4152173004-00X△4 | |
| | | | | RPC-M12-3MS-**△4-M12-3FS-PVC1 | 3 | T4152173003-00X△4 | |
| | | | | RPC-M12-2MS-**△4-M12-2FS-PVC1 | 2 | T4152173002-00X△4 | |
| | | YELLOW | PUR(UL) | RPC-M12-3MS-**△4-M12-3FS-PUR2 | 3 | T4152183003-00X△4 | |
| | | | | RPC-M12-5MS-**△4-M12-5FS-PUR | 5 | T4152123005-00X△4 | |
| | | | | RPC-M12-4MS-**△4-M12-4FS-PUR | 4 | T4152123004-00X△4 | |
| | | | | RPC-M12-3MS-**△4-M12-3FS-PUR | 3 | T4152123003-00X△4 | |
| | | GRAY | PUR (UL) | RPC-M12-2MS-**△4-M12-2FS-PUR | 2 | T4152123002-00X△4 | |
| | | | | RPC-M12-5MS-**△4-M12-5FS-PVC | 5 | T4152113005-00X△4 | |
| | | | | RPC-M12-4MS-**△4-M12-4FS-PVC | 4 | T4152113004-00X△4 | |
| | | | | RPC-M12-3MS-**△4-M12-3FS-PVC | 3 | T4152113003-00X△4 | |
| BLACK | PVC (UL) | RPC-M12-2MS-**△4-M12-2FS-PVC | 2 | T4152113002-00X△4 | | | |



THIS DRAWING IS A CONTROLLED DOCUMENT.

| | | | | |
|--------------------------|---|-----------|------------------------------|---------------|
| DWN HAO WANG 22SEP2016 | TE Connectivity M12X1 MALE STR. TO FEMALE STR. A-CODE, UNSHIELDED, | | | |
| CHK KOBBY ZHAO 22SEP2016 | | | | |
| APVD XIANG XU 22SEP2016 | | | | |
| PRODUCT SPEC 108-106140 | | | | |
| MATERIAL | SIZE A2 | CAGE CODE | DRAWING NO. C-T41521X30XX00X | RESTRICTED TO |
| CUSTOMER DRAWING | | SCALE 1:1 | SHEET 1 OF 1 | REV A2 |

X-ON Electronics

Largest Supplier of Electrical and Electronic Components

Click to view similar products for [Sensor Cables / Actuator Cables](#) category:

Click to view products by [TE Connectivity](#) manufacturer:

Other Similar products are found below :

[60963](#) [60964](#) [703000D02F2002](#) [703001D02F0602](#) [703001D02F300](#) [704000D02F120](#) [773032K02F030](#) [802027107404-1](#) [802027213811-1](#)
[804001A09M150](#) [805001A09M0502](#) [84914-0235](#) [84914-0237](#) [885030A09M020](#) [1200651332](#) [1200651713](#) [1200660844](#) [1200660845](#)
[1200661173](#) [1200680071](#) [1200720053](#) [1200720081](#) [1200720099](#) [1200720217](#) [1200800231](#) [1200860125](#) [1200870123](#) [1200980102](#)
[1200650267](#) [1200650298](#) [1200660183](#) [1200660782](#) [1200660849](#) [1200661295](#) [1200661297](#) [1200661342](#) [1200661343](#) [1200670080](#)
[1200670220](#) [1200680331](#) [1200720252](#) [1200730184](#) [1200860344](#) [1200870359](#) [1200870643](#) [1200980008](#) [1200980031](#) [1210502211](#)
[1210400542](#) [1211810021](#)