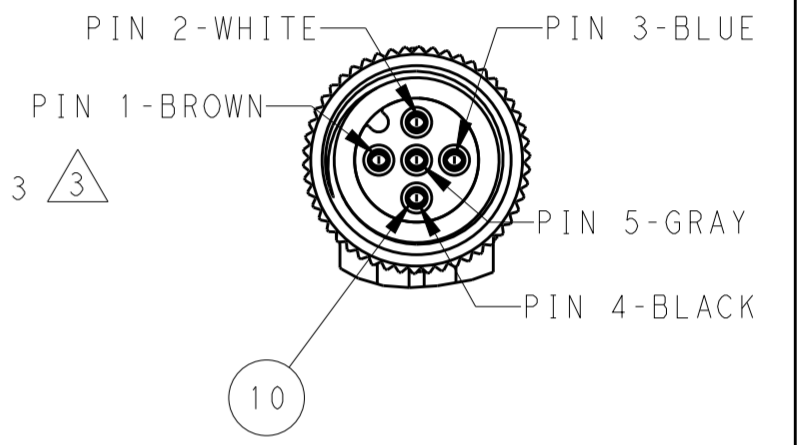
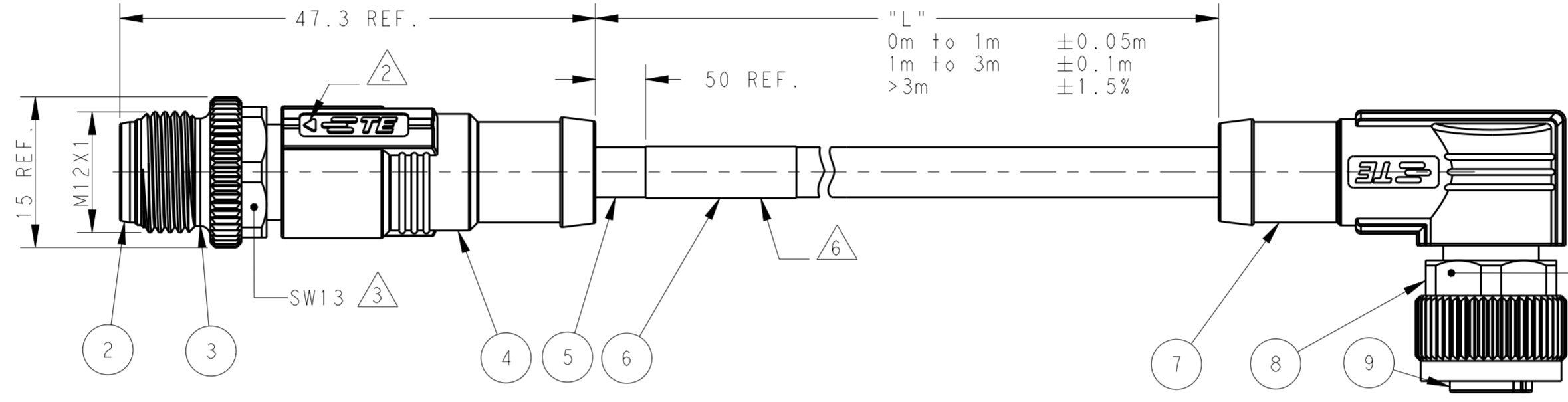
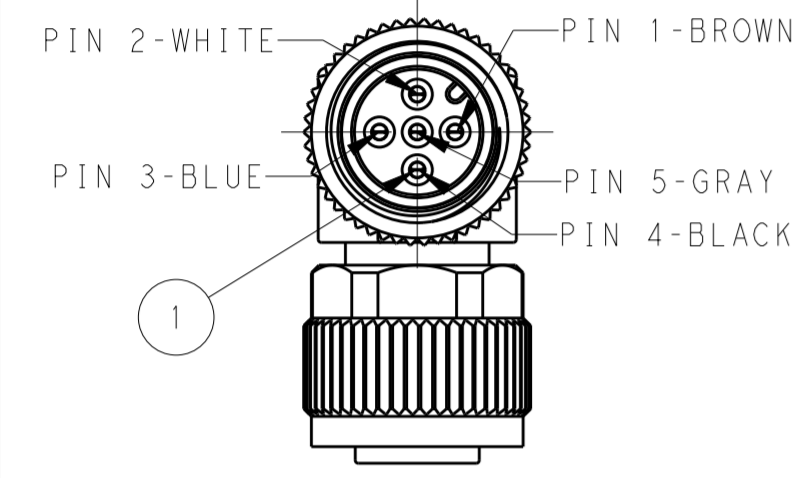
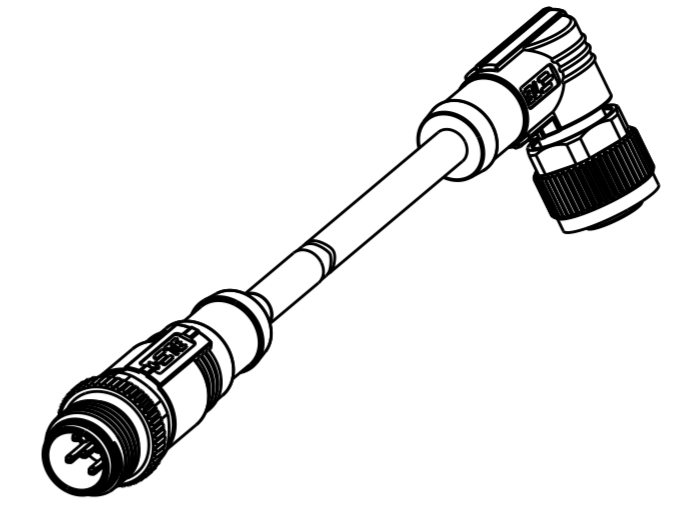


THIS DRAWING IS UNPUBLISHED. RELEASED FOR PUBLICATION 20
 © COPYRIGHT 20 BY - ALL RIGHTS RESERVED.

ITEM	DESCRIPTION	MATERIAL	OTHERS
1	MALE CONTACT	COPPER ALLOY	FLASH GOLD
2	MALE HOUSING	NYLON	BLACK
3	MALE NUT	COPPER ALLOY	NICKEL PLATED
4	OVER-MOLDING	POLYURETHANE	BLUE
5	CABLE	-	-
6	LABEL	-	-
7	OVER-MOLDING	POLYURETHANE	BLUE
8	FEMALE NUT	COPPER ALLOY	NICKEL PLATED
9	FEMALE HOUSING	NYLON	BLACK
10	FEMALE CONTACT	COPPER ALLOY	FLASH GOLD

REVISIONS				
P	LTR	DESCRIPTION	DATE	APVD
A		INITIAL RELEASE	22SEP2019	HW XX

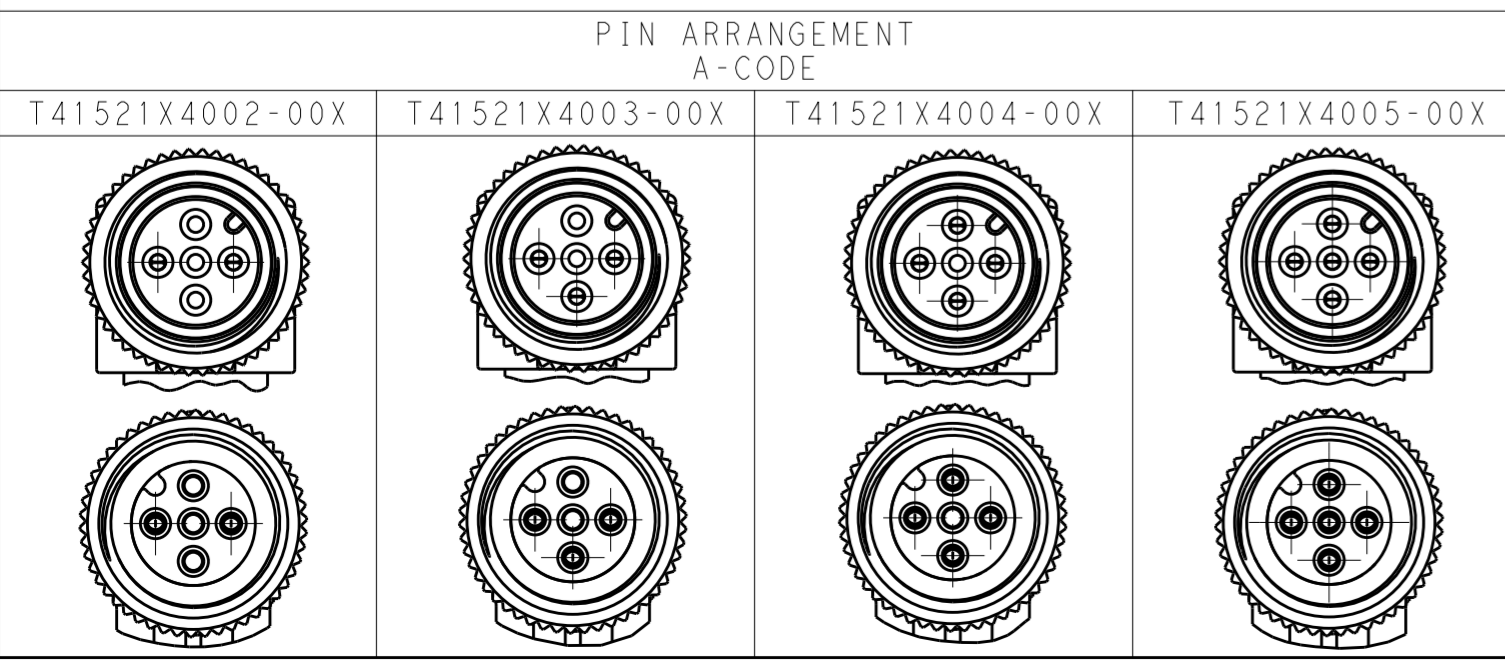


NOTE:
 ①. TECHNICAL DATA: SEE TABLE 1
 ②. CODE POSITION INDICATOR
 ③. RECOMMENDED TORQUE 0.6 Nm
 ④. -** : CABLE LENGTH
 -0.5:0.5M,
 -1.0:1.0M,
 -1.5:1.5M,
 -3.0:3.0M,
 -5.0:5.0M,
 -7.0:7.0M,
 -10.0:10.0M,
 5. CABLE ASSEMBLY TO BE PACKAGED IN POLYBAGS
 ⑥. LABEL CONTAINS: PN, DATE CODE...

注释:
 ①. 技术参数: 参考表 1
 ②. CODE 位置指示
 ③. 推荐扭矩 0.6 Nm
 ④. -** : 线缆长度
 -0.5:0.5M,
 -1.0:1.0M,
 -1.5:1.5M,
 -3.0:3.0M,
 -5.0:5.0M,
 -7.0:7.0M,
 -10.0:10.0M,
 5. 线缆组件塑料袋包装
 ⑥. 标签包含: 产品编号, 日期代码...

TABLE 1: TECHNICAL DATA	T41521X4002-00X	T41521X4003-00X	T41521X4004-00X	T41521X4005-00X
RATED VOLTAGE	250V		60V	
RATED IMPULSE VOLTAGE	2500V		1500V	
RATED CURRENT	4A			
POLLUTION DEGREE	3			
OVERVOLTAGE CATEGORY	II			
MATERIAL GROUP	II			
DEGREE OF PROTECTION	IP67			

CABLE CHARACTERISTIC	LENGTH "L"	CABLE TEMP. RANGE	JACKET COLOR	JACKET MATERIAL	TYPE	POS.	TE PN SEE LENGTH "L"
WIRES: 0.34mm ² (22AWG) WIRE COLOR: WH/BR/BK/BL/GR OD: APPROX.4.5MM FOR 2P/3P APPROX.5.0MM FOR 4P/5P					RPC-M12-5MS-***④-M12-5FR-PUR	5	T4152124005-00X
					RPC-M12-4MS-***④-M12-4FR-PUR	4	T4152124004-00X
					RPC-M12-3MS-***④-M12-3FR-PUR	3	T4152124003-00X
					RPC-M12-2MS-***④-M12-2FR-PUR	2	T4152124002-00X
					RPC-M12-5MS-***④-M12-5FR-PVC	5	T4152114005-00X
					RPC-M12-4MS-***④-M12-4FR-PVC	4	T4152114004-00X
					RPC-M12-3MS-***④-M12-3FR-PVC	3	T4152114003-00X
					RPC-M12-2MS-***④-M12-2FR-PVC	2	T4152114002-00X



THIS DRAWING IS A CONTROLLED DOCUMENT.

DIMENSIONS: mm	TOLERANCES UNLESS OTHERWISE SPECIFIED:	DWN HAO WANG 22SEP2016	TE Connectivity
		CHK KOBBY ZHAO 22SEP2016	
		APVD XIANG XU 22SEP2016	
		PRODUCT SPEC 108-106140	
MATERIAL	FINISH	APPLIC. SPEC	NAME M12X1 MALE STR. TO FEMALE RA A-CODE, UNSHIELDED,
		WEIGHT	SIZE A2
		CUSTOMER DRAWING	SCALE 1:1 SHEET 1 OF 1 REV A

X-ON Electronics

Largest Supplier of Electrical and Electronic Components

Click to view similar products for [Sensor Cables / Actuator Cables](#) category:

Click to view products by [TE Connectivity](#) manufacturer:

Other Similar products are found below :

[60963](#) [60964](#) [703000D02F2002](#) [703001D02F0602](#) [703001D02F300](#) [704000D02F120](#) [773032K02F030](#) [802027107404-1](#) [802027213811-1](#)
[804001A09M150](#) [805001A09M0502](#) [84914-0235](#) [84914-0237](#) [885030A09M020](#) [8R4J30E03C3003](#) [1200651332](#) [1200651713](#) [1200660844](#)
[1200660845](#) [1200661173](#) [1200680071](#) [1200720053](#) [1200720081](#) [1200720099](#) [1200720217](#) [1200800231](#) [1200860125](#) [1200870123](#)
[1200980102](#) [1200650267](#) [1200650298](#) [1200660183](#) [1200660782](#) [1200660849](#) [1200661295](#) [1200661297](#) [1200661342](#) [1200661343](#)
[1200670080](#) [1200670220](#) [1200680331](#) [1200720252](#) [1200730184](#) [1200860344](#) [1200870359](#) [1200870643](#) [1200980008](#) [1200980031](#)
[1210502211](#) [1210400542](#)