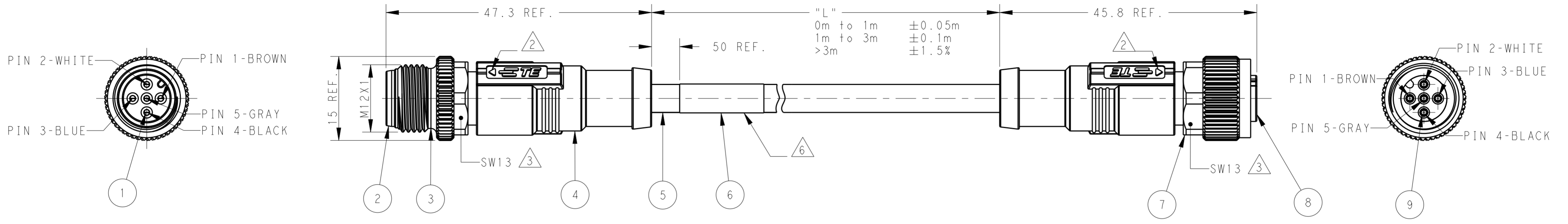


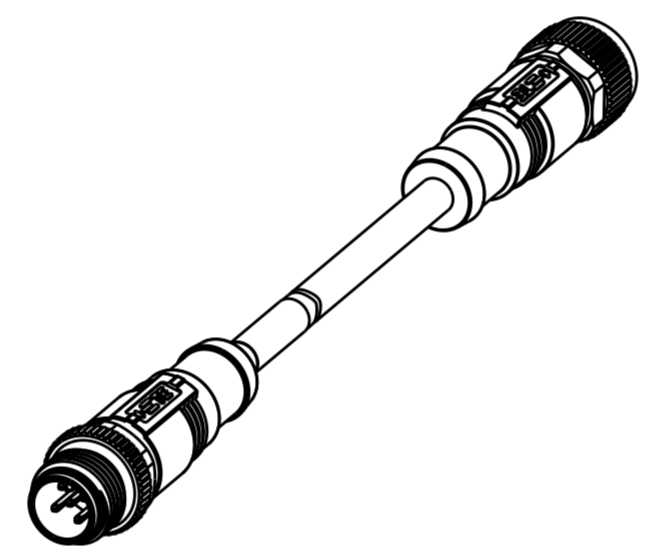
THIS DRAWING IS UNPUBLISHED. RELEASED FOR PUBLICATION 20  
 © COPYRIGHT 20 BY - ALL RIGHTS RESERVED.

REVISIONS				
P	LTR	DESCRIPTION	DATE	APVD
A		INITIAL RELEASE	22SEP2019	HW XX
A1		ECR-17-002485 ADD NEW PN	04MAR2017	BP CW
A2		ECR-17-005215 ADD NEW PN	04APR2017	GW CW



ITEM	DESCRIPTION	MATERIAL	OTHERS
1	MALE CONTACT	COPPER ALLOY	FLASH GOLD
2	MALE HOUSING	NYLON	BLACK
3	MALE NUT	COPPER ALLOY	NICKEL PLATED
4	OVER-MOLDING	POLYURETHANE	BLUE
5	CABLE	-	-
6	LABEL	-	-
7	FEMALE NUT	COPPER ALLOY	NICKEL PLATED
8	FEMALE HOUSING	NYLON	BLACK
9	FEMALE CONTACT	COPPER ALLOY	FLASH GOLD

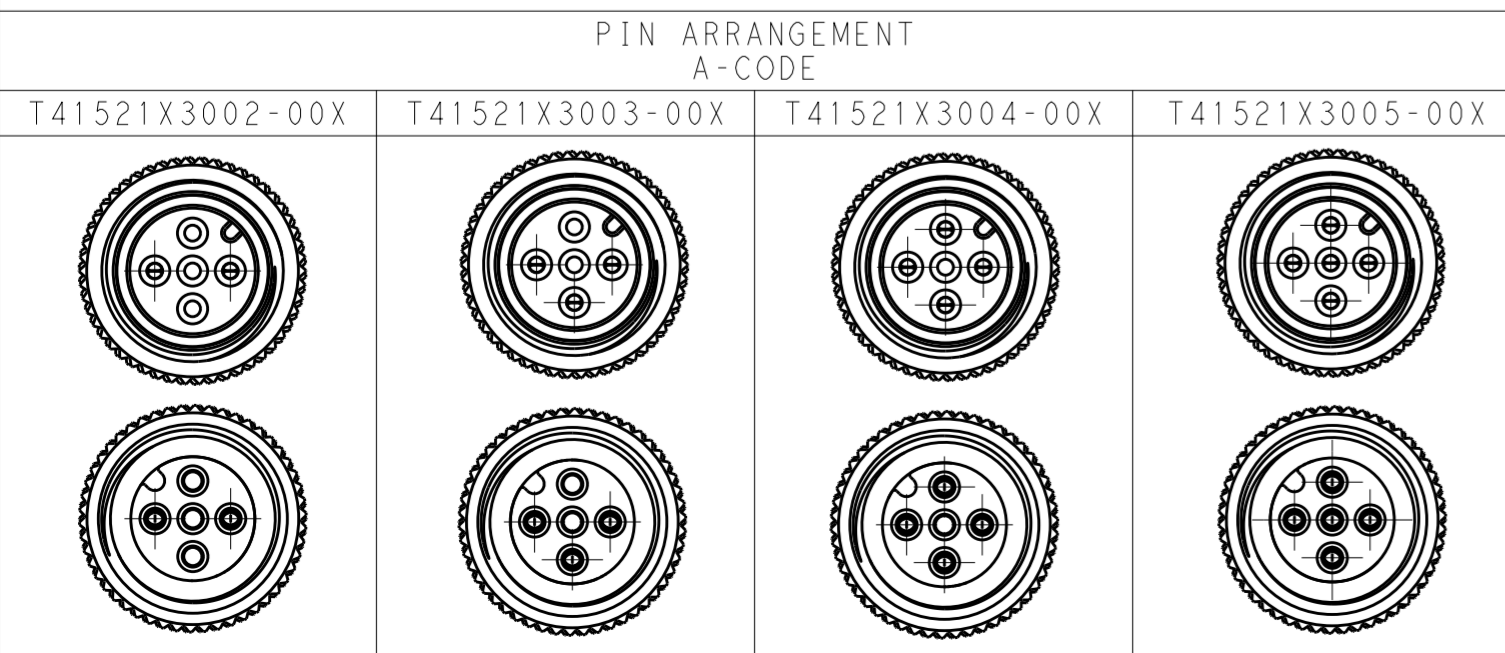
TABLE 1: TECHNICAL DATA	T41521X3002-00X	T41521X3003-00X	T41521X3004-00X	T41521X3005-00X
RATED VOLTAGE	250V		60V	
RATED IMPULSE VOLTAGE	2500V		1500V	
RATED CURRENT	4A			
POLLUTION DEGREE	3			
OVERVOLTAGE CATEGORY	II			
MATERIAL GROUP	II			
DEGREE OF PROTECTION	IP67			



NOTE:  
 △1. TECHNICAL DATA: SEE TABLE 1  
 △2. CODE POSITION INDICATOR  
 △3. RECOMMENDED TORQUE 0.6 Nm  
 △4. -\*: CABLE LENGTH  
 -0.5:0.5M,  
 -1.0:1.0M,  
 -1.5:1.5M,  
 -3.0:3.0M,  
 -5.0:5.0M,  
 -7.0:7.0M,  
 -10.0:10.0M,  
 5. CABLE ASSEMBLY TO BE PACKAGED IN POLYBAGS  
 △6. LABEL CONTAINS: PN, DATE CODE...  
 △7. -00X: FOR CABLE LENGTH, SEE TABLE 1 AND REFER TO LENGTH "L".

注释:  
 △1. 技术参数: 参考表1  
 △2. CODE位置指示  
 △3. 推荐扭矩0.6 Nm  
 △4. -\*: 线缆长度  
 -0.5:0.5M,  
 -1.0:1.0M,  
 -1.5:1.5M,  
 -3.0:3.0M,  
 -5.0:5.0M,  
 -7.0:7.0M,  
 -10.0:10.0M,  
 5. 线缆组件塑料袋包装  
 △6. 标签包含: 产品编号, 日期代码...  
 △7. -00X: 线缆长度, 参考表2, 参照长度"L"

CABLE CHARACTERISTIC	LENGTH "L"	CABLE TEMP. RANGE	JACKET COLOR	JACKET MATERIAL	TYPE	POS.	TE PN SEE LENGTH "L"
WIRES: 0.34mm <sup>2</sup> (22AWG) WIRE COLOR: WH/BR/BK/BL/GR OD: APPROX.4.5MM FOR 2P/3P APPROX.5.0MM FOR 4P/5P  STANDARD: -001:0.5 M -002:1.0 M -003:1.5 M -004:3.0 M -005:5.0 M -006:7.0 M -007:10.0 M CUSTOMIZATION: -**0:**.0 M -**5:**.5 M	FIXED: -10°C~+80°C FLXIBLE: -5°C~+80°C	GRAY	PVC (UL)	RPC-M12-5MS-**-△4-M12-5FS-PVC1	5	T4152173005-00X△4	
				RPC-M12-4MS-**-△4-M12-4FS-PVC1	4	T4152173004-00X△4	
				RPC-M12-3MS-**-△4-M12-3FS-PVC1	3	T4152173003-00X△4	
				RPC-M12-2MS-**-△4-M12-2FS-PVC1	2	T4152173002-00X△4	
		YELLOW	PUR(UL)	RPC-M12-3MS-**-△4-M12-3FS-PUR2	3	T4152183003-00X△4	
				RPC-M12-5MS-**-△4-M12-5FS-PUR	5	T4152123005-00X△4	
				RPC-M12-4MS-**-△4-M12-4FS-PUR	4	T4152123004-00X△4	
				RPC-M12-3MS-**-△4-M12-3FS-PUR	3	T4152123003-00X△4	
		GRAY	PUR (UL)	RPC-M12-2MS-**-△4-M12-2FS-PUR	2	T4152123002-00X△4	
				RPC-M12-5MS-**-△4-M12-5FS-PVC	5	T4152113005-00X△4	
				RPC-M12-4MS-**-△4-M12-4FS-PVC	4	T4152113004-00X△4	
				RPC-M12-3MS-**-△4-M12-3FS-PVC	3	T4152113003-00X△4	
BLACK	PVC (UL)	RPC-M12-2MS-**-△4-M12-2FS-PVC	2	T4152113002-00X△4			



THIS DRAWING IS A CONTROLLED DOCUMENT.

DWN HAO WANG 22SEP2016	TE Connectivity NAME M12X1 MALE STR. TO FEMALE STR. A-CODE, UNSHIELDED, SIZE CAGE CODE DRAWING NO RESTRICTED TO A2 - C-T41521X30XX00X SCALE 1:1 SHEET 1 OF 1 REV A2
CHK KOBBY ZHAO 22SEP2016	
APVD XIANG XU 22SEP2016	
PRODUCT SPEC 108-106140	
APPLICATION SPEC	WEIGHT
CUSTOMER DRAWING	

## X-ON Electronics

Largest Supplier of Electrical and Electronic Components

*Click to view similar products for [Sensor Cables / Actuator Cables](#) category:*

*Click to view products by [TE Connectivity](#) manufacturer:*

Other Similar products are found below :

[60963](#) [60964](#) [703000D02F2002](#) [703001D02F0602](#) [703001D02F300](#) [704000D02F120](#) [773032K02F030](#) [802027107404-1](#) [802027213811-1](#)  
[804001A09M150](#) [805001A09M0502](#) [84914-0235](#) [84914-0237](#) [885030A09M020](#) [1200651332](#) [1200651713](#) [1200660844](#) [1200660845](#)  
[1200661173](#) [1200680071](#) [1200720053](#) [1200720081](#) [1200720099](#) [1200720217](#) [1200800231](#) [1200860125](#) [1200870123](#) [1200980102](#)  
[1200650267](#) [1200650298](#) [1200660183](#) [1200660782](#) [1200660849](#) [1200661295](#) [1200661297](#) [1200661342](#) [1200661343](#) [1200670080](#)  
[1200670220](#) [1200680331](#) [1200720252](#) [1200730184](#) [1200860344](#) [1200870359](#) [1200870643](#) [1200980008](#) [1200980031](#) [1210502211](#)  
[1210400542](#) [1211810021](#)