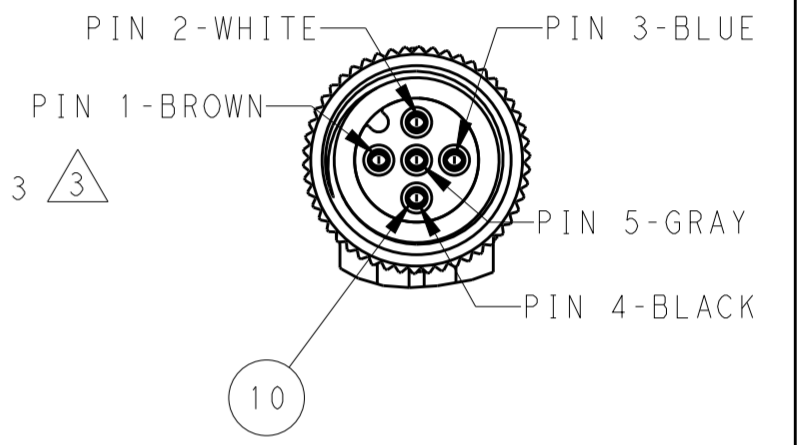
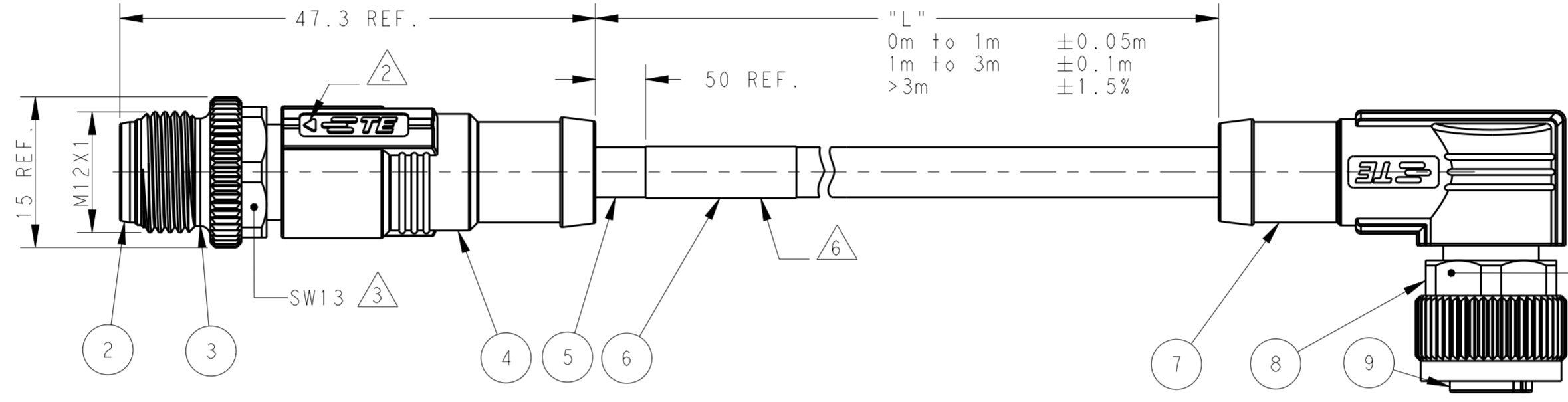
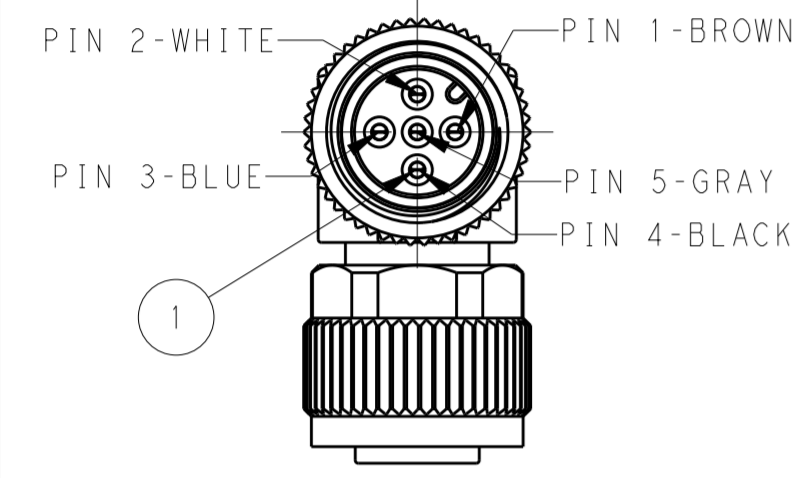
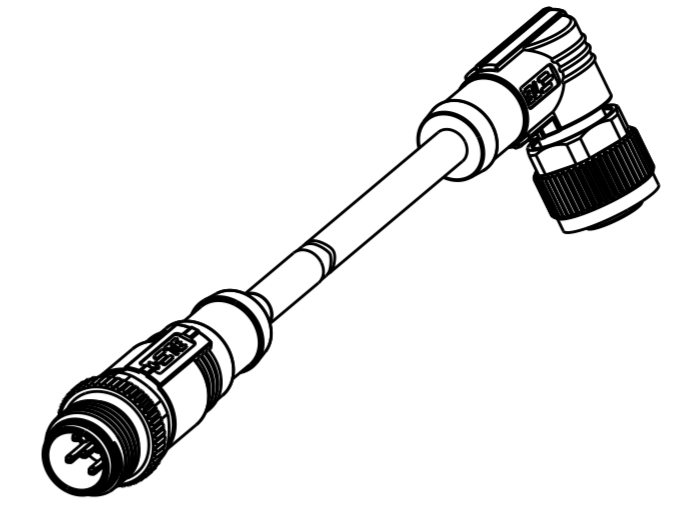


THIS DRAWING IS UNPUBLISHED. RELEASED FOR PUBLICATION 20  
 © COPYRIGHT 20 BY - ALL RIGHTS RESERVED.

| ITEM | DESCRIPTION    | MATERIAL     | OTHERS        |
|------|----------------|--------------|---------------|
| 1    | MALE CONTACT   | COPPER ALLOY | FLASH GOLD    |
| 2    | MALE HOUSING   | NYLON        | BLACK         |
| 3    | MALE NUT       | COPPER ALLOY | NICKEL PLATED |
| 4    | OVER-MOLDING   | POLYURETHANE | BLUE          |
| 5    | CABLE          | -            | -             |
| 6    | LABEL          | -            | -             |
| 7    | OVER-MOLDING   | POLYURETHANE | BLUE          |
| 8    | FEMALE NUT     | COPPER ALLOY | NICKEL PLATED |
| 9    | FEMALE HOUSING | NYLON        | BLACK         |
| 10   | FEMALE CONTACT | COPPER ALLOY | FLASH GOLD    |

| REVISIONS |     |                 |           |       |
|-----------|-----|-----------------|-----------|-------|
| P         | LTR | DESCRIPTION     | DATE      | APVD  |
|           | A   | INITIAL RELEASE | 22SEP2019 | HW XX |

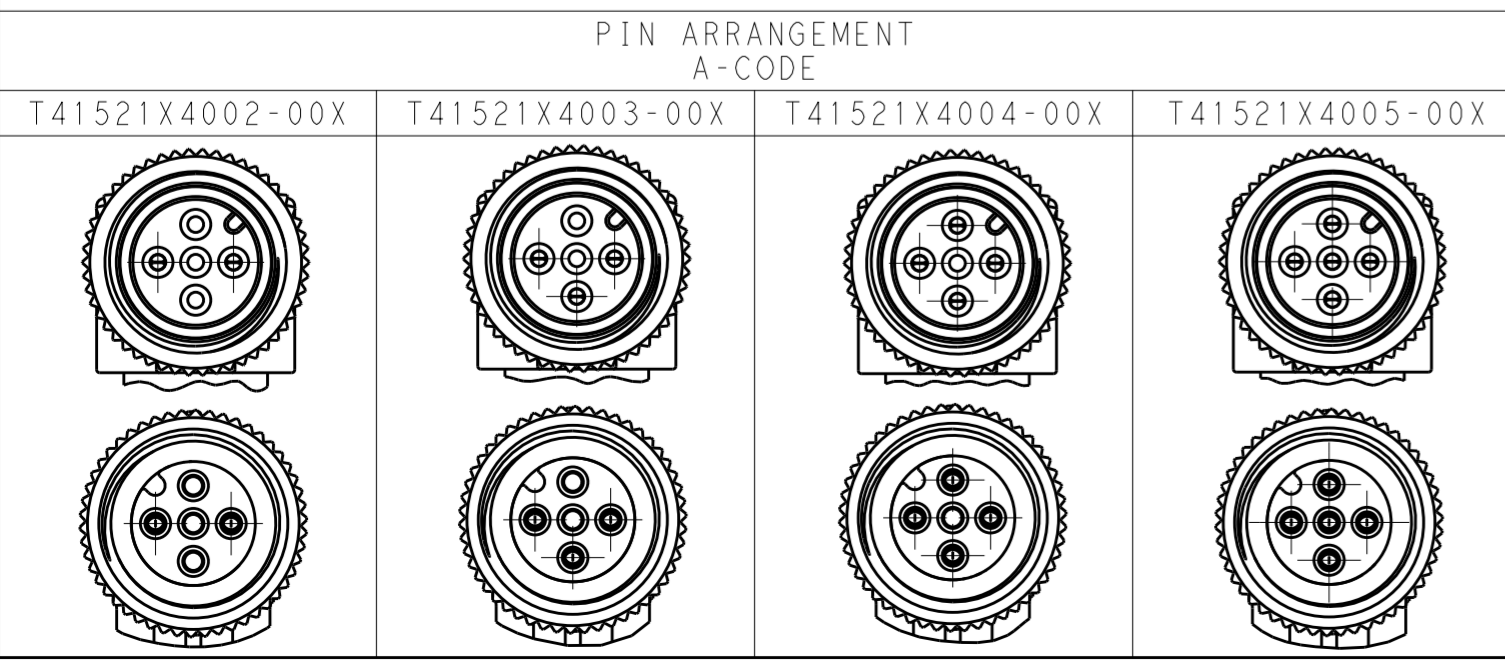


NOTE:  
 ①. TECHNICAL DATA: SEE TABLE 1  
 ②. CODE POSITION INDICATOR  
 ③. RECOMMENDED TORQUE 0.6 Nm  
 ④. -\*\* : CABLE LENGTH  
 -0.5:0.5M,  
 -1.0:1.0M,  
 -1.5:1.5M,  
 -3.0:3.0M,  
 -5.0:5.0M,  
 -7.0:7.0M,  
 -10.0:10.0M,  
 5. CABLE ASSEMBLY TO BE PACKAGED IN POLYBAGS  
 ⑥. LABEL CONTAINS: PN, DATE CODE...

注释:  
 ①. 技术参数: 参考表 1  
 ②. CODE 位置指示  
 ③. 推荐扭矩 0.6 Nm  
 ④. -\*\* : 线缆长度  
 -0.5:0.5M,  
 -1.0:1.0M,  
 -1.5:1.5M,  
 -3.0:3.0M,  
 -5.0:5.0M,  
 -7.0:7.0M,  
 -10.0:10.0M,  
 5. 线缆组件塑料袋包装  
 ⑥. 标签包含: 产品编号, 日期代码...

| TABLE 1: TECHNICAL DATA | T41521X4002-00X | T41521X4003-00X | T41521X4004-00X | T41521X4005-00X |
|-------------------------|-----------------|-----------------|-----------------|-----------------|
| RATED VOLTAGE           | 250V            |                 | 60V             |                 |
| RATED IMPULSE VOLTAGE   | 2500V           |                 | 1500V           |                 |
| RATED CURRENT           | 4A              |                 |                 |                 |
| POLLUTION DEGREE        | 3               |                 |                 |                 |
| OVERVOLTAGE CATEGORY    | II              |                 |                 |                 |
| MATERIAL GROUP          | II              |                 |                 |                 |
| DEGREE OF PROTECTION    | IP67            |                 |                 |                 |

| CABLE CHARACTERISTIC   | LENGTH "L"            | CABLE TEMP. RANGE       | JACKET COLOR | JACKET MATERIAL | TYPE                         | POS. | TE PN SEE LENGTH "L" |    |
|--|-----------------------|-------------------------|--------------|-----------------|------------------------------|------|----------------------|----|
|  |                       |                         |              |                 |                              |      | TE                   | PN |
| WIRES: 0.34mm <sup>2</sup> (22AWG)<br>WIRE COLOR: WH/BR/BK/BL/GR<br>OD: APPROX.4.5MM FOR 2P/3P<br>APPROX.5.0MM FOR 4P/5P<br><br>STANDARD:<br>-001:0.5 M<br>-002:1.0 M<br>-003:1.5 M<br>-004:3.0 M<br>-005:5.0 M<br>-006:7.0 M<br>-007:10.0 M<br>CUSTOMIZATION:<br>-**0:**.0 M<br>-**5:**.5 M | FIXED:<br>-40°C~+80°C | FLXIBLE:<br>-25°C~+80°C | GRAY         | PUR (UL)        | RPC-M12-5MS-***④-M12-5FR-PUR | 5    | T4152124005-00X      |    |
|  |                       |                         |              |                 | RPC-M12-4MS-***④-M12-4FR-PUR | 4    | T4152124004-00X      |    |
|  | FIXED:<br>-10°C~+80°C | FLXIBLE:<br>-5°C~+80°C  | BLACK        | PVC (UL)        | RPC-M12-3MS-***④-M12-3FR-PUR | 3    | T4152124003-00X      |    |
|  |                       |                         |              |                 | RPC-M12-2MS-***④-M12-2FR-PUR | 2    | T4152124002-00X      |    |
|  | FIXED:<br>-10°C~+80°C | FLXIBLE:<br>-5°C~+80°C  | BLACK        | PVC (UL)        | RPC-M12-5MS-***④-M12-5FR-PVC | 5    | T4152114005-00X      |    |
|  |                       |                         |              |                 | RPC-M12-4MS-***④-M12-4FR-PVC | 4    | T4152114004-00X      |    |
|  | FIXED:<br>-10°C~+80°C | FLXIBLE:<br>-5°C~+80°C  | BLACK        | PVC (UL)        | RPC-M12-3MS-***④-M12-3FR-PVC | 3    | T4152114003-00X      |    |
|  |                       |                         |              |                 | RPC-M12-2MS-***④-M12-2FR-PVC | 2    | T4152114002-00X      |    |



THIS DRAWING IS A CONTROLLED DOCUMENT.

|                  |  |                          |   |
|------------------|--|--------------------------|---|
| DIMENSIONS: mm   | TOLERANCES UNLESS OTHERWISE SPECIFIED: | DWN HAO WANG 22SEP2016   | TE Connectivity<br>NAME M12X1 MALE STR. TO FEMALE RA A-CODE, UNSHIELDED,<br>SIZE A2 CAGE CODE - DRAWING NO. C-T41521X40XX00X<br>RESTRICTED TO -<br>SCALE 1:1 SHEET 1 OF 1 REV A |
| MATERIAL         | FINISH                                 | CHK KOBBY ZHAO 22SEP2016 |   |
|                  |  | APVD XIANG XU 22SEP2016  |   |
|                  |  | PRODUCT SPEC 108-106140  |   |
| CUSTOMER DRAWING |  | APPLICATION SPEC         |   |

## X-ON Electronics

Largest Supplier of Electrical and Electronic Components

*Click to view similar products for [Sensor Cables / Actuator Cables](#) category:*

*Click to view products by [TE Connectivity](#) manufacturer:*

Other Similar products are found below :

[60963](#) [60964](#) [703000D02F2002](#) [703001D02F0602](#) [703001D02F300](#) [704000D02F120](#) [773032K02F030](#) [802027107404-1](#) [802027213811-1](#)  
[804001A09M150](#) [805001A09M0502](#) [84914-0235](#) [84914-0237](#) [885030A09M020](#) [1200651332](#) [1200651713](#) [1200660844](#) [1200660845](#)  
[1200661173](#) [1200680071](#) [1200720053](#) [1200720081](#) [1200720099](#) [1200720217](#) [1200800231](#) [1200860125](#) [1200870123](#) [1200980102](#)  
[1200650267](#) [1200650298](#) [1200660183](#) [1200660782](#) [1200660849](#) [1200661295](#) [1200661297](#) [1200661342](#) [1200661343](#) [1200670080](#)  
[1200670220](#) [1200680331](#) [1200720252](#) [1200730184](#) [1200860344](#) [1200870359](#) [1200870643](#) [1200980008](#) [1200980031](#) [1210502211](#)  
[1210400542](#) [1211810021](#)