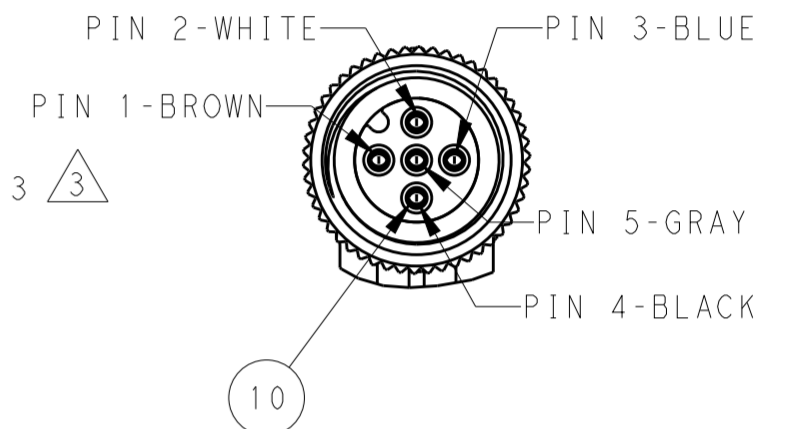
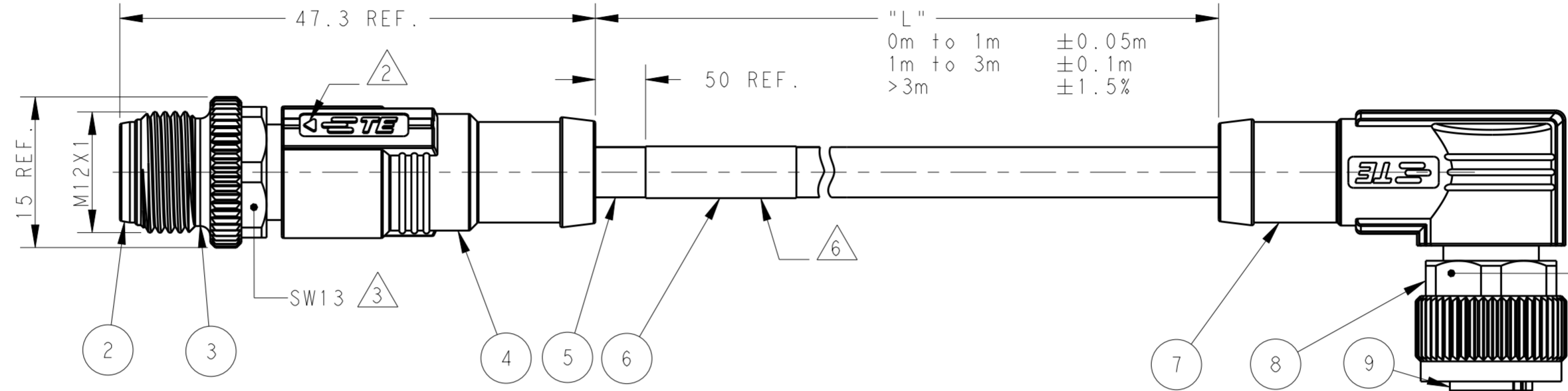
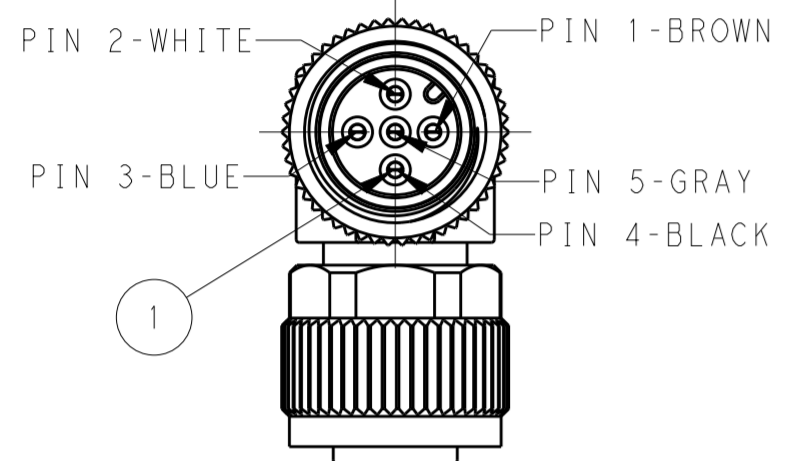
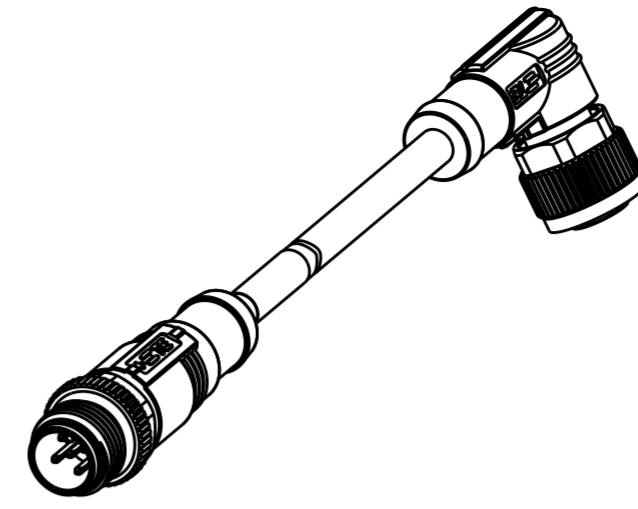


THIS DRAWING IS UNPUBLISHED. RELEASED FOR PUBLICATION 20
 © COPYRIGHT 20 BY - ALL RIGHTS RESERVED.

| ITEM | DESCRIPTION | MATERIAL | OTHERS |
|------|----------------|--------------|---------------|
| 1 | MALE CONTACT | COPPER ALLOY | FLASH GOLD |
| 2 | MALE HOUSING | NYLON | BLACK |
| 3 | MALE NUT | COPPER ALLOY | NICKEL PLATED |
| 4 | OVER-MOLDING | POLYURETHANE | BLUE |
| 5 | CABLE | - | - |
| 6 | LABEL | - | - |
| 7 | OVER-MOLDING | POLYURETHANE | BLUE |
| 8 | FEMALE NUT | COPPER ALLOY | NICKEL PLATED |
| 9 | FEMALE HOUSING | NYLON | BLACK |
| 10 | FEMALE CONTACT | COPPER ALLOY | FLASH GOLD |

| REVISIONS | | | | |
|-----------|-----|-----------------|-----------|-------|
| P | LTR | DESCRIPTION | DATE | APVD |
| A | | INITIAL RELEASE | 22SEP2019 | HW XX |



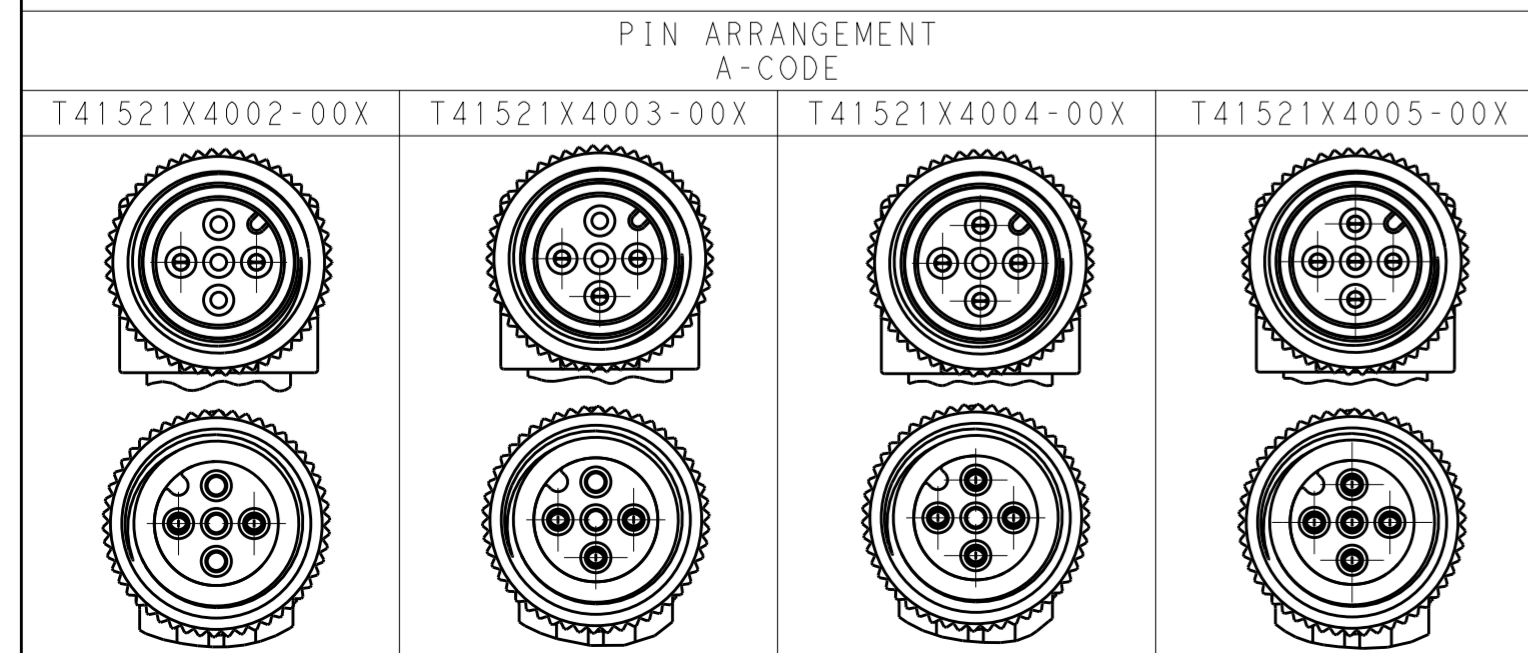
NOTE:
 ①. TECHNICAL DATA: SEE TABLE 1
 ②. CODE POSITION INDICATOR
 ③. RECOMMENDED TORQUE 0.6 Nm
 ④. -** : CABLE LENGTH
 -0.5:0.5M,
 -1.0:1.0M,
 -1.5:1.5M,
 -3.0:3.0M,
 -5.0:5.0M,
 -7.0:7.0M,
 -10.0:10.0M,
 5. CABLE ASSEMBLY TO BE PACKAGED IN POLYBAGS
 ⑥. LABEL CONTAINS: PN, DATE CODE...

注释:
 ①. 技术参数: 参考表 1
 ②. CODE 位置指示
 ③. 推荐扭矩 0.6 Nm
 ④. -** : 线缆长度
 -0.5:0.5M,
 -1.0:1.0M,
 -1.5:1.5M,
 -3.0:3.0M,
 -5.0:5.0M,
 -7.0:7.0M,
 -10.0:10.0M,
 5. 线缆组件塑料袋包装
 ⑥. 标签包含: 产品编号, 日期代码...

TABLE 1: TECHNICAL DATA

| | T41521X4002-00X | T41521X4003-00X | T41521X4004-00X | T41521X4005-00X |
|-----------------------|-----------------|-----------------|-----------------|-----------------|
| RATED VOLTAGE | 250V | | 60V | |
| RATED IMPULSE VOLTAGE | 2500V | | 1500V | |
| RATED CURRENT | 4A | | | |
| POLLUTION DEGREE | 3 | | | |
| OVERVOLTAGE CATEGORY | II | | | |
| MATERIAL GROUP | II | | | |
| DEGREE OF PROTECTION | IP67 | | | |

| CABLE CHARACTERISTIC | LENGTH "L" | CABLE TEMP. RANGE | JACKET COLOR | JACKET MATERIAL | TYPE | POS. | TE PN | |
|--|-----------------------|-------------------------|--------------|-----------------|------------------------------|------|-----------------|--|
| | | | | | | | SEE LENGTH "L" | |
| WIRES: 0.34mm ² (22AWG) WIRE COLOR: WH/BR/BK/BL/GR OD: APPROX.4.5MM FOR 2P/3P APPROX.5.0MM FOR 4P/5P STANDARD: -001:0.5 M -002:1.0 M -003:1.5 M -004:3.0 M -005:5.0 M -006:7.0 M -007:10.0 M CUSTOMIZATION: -**0:**.0 M -**5:**.5 M | FIXED: -40°C~+80°C | FLXIBLE: -25°C~+80°C | GRAY | PUR (UL) | RPC-M12-5MS-***④-M12-5FR-PUR | 5 | T4152124005-00X | |
| | | | | | RPC-M12-4MS-***④-M12-4FR-PUR | 4 | T4152124004-00X | |
| | FIXED: -10°C~+80°C | FLXIBLE: -5°C~+80°C | BLACK | PVC (UL) | RPC-M12-3MS-***④-M12-3FR-PUR | 3 | T4152124003-00X | |
| | | | | | RPC-M12-2MS-***④-M12-2FR-PUR | 2 | T4152124002-00X | |
| | FIXED: -10°C~+80°C | FLXIBLE: -5°C~+80°C | BLACK | PVC (UL) | RPC-M12-5MS-***④-M12-5FR-PVC | 5 | T4152114005-00X | |
| | | | | | RPC-M12-4MS-***④-M12-4FR-PVC | 4 | T4152114004-00X | |
| | FIXED: -10°C~+80°C | FLXIBLE: -5°C~+80°C | BLACK | PVC (UL) | RPC-M12-3MS-***④-M12-3FR-PVC | 3 | T4152114003-00X | |
| | | | | | RPC-M12-2MS-***④-M12-2FR-PVC | 2 | T4152114002-00X | |



THIS DRAWING IS A CONTROLLED DOCUMENT.

| | | | |
|----------------|--|--------------------------|---|
| DIMENSIONS: mm | TOLERANCES UNLESS OTHERWISE SPECIFIED: | DWN HAO WANG 22SEP2016 | TE Connectivity |
| | | CHK KOBBY ZHAO 22SEP2016 | |
| | | APVD XIANG XU 22SEP2016 | |
| | | PRODUCT SPEC 108-106140 | |
| MATERIAL | FINISH | APPLIC. SPEC | NAME M12X1 MALE STR. TO FEMALE RA A-CODE, UNSHIELDED, |
| | | WEIGHT | SIZE A2 |
| | | CUSTOMER DRAWING | SCALE 1:1 SHEET 1 OF 1 REV A |

X-ON Electronics

Largest Supplier of Electrical and Electronic Components

Click to view similar products for [Sensor Cables / Actuator Cables](#) category:

Click to view products by [TE Connectivity](#) manufacturer:

Other Similar products are found below :

[60963](#) [60964](#) [703000D02F2002](#) [703001D02F0602](#) [703001D02F300](#) [704000D02F120](#) [773032K02F030](#) [802027107404-1](#) [802027213811-1](#)
[804001A09M150](#) [805001A09M0502](#) [84914-0235](#) [84914-0237](#) [885030A09M020](#) [1200651332](#) [1200651713](#) [1200660844](#) [1200660845](#)
[1200661173](#) [1200680071](#) [1200720053](#) [1200720081](#) [1200720099](#) [1200720217](#) [1200800231](#) [1200860125](#) [1200870123](#) [1200980102](#)
[1200650267](#) [1200650298](#) [1200660183](#) [1200660782](#) [1200660849](#) [1200661295](#) [1200661297](#) [1200661342](#) [1200661343](#) [1200670080](#)
[1200670220](#) [1200680331](#) [1200720252](#) [1200730184](#) [1200860344](#) [1200870359](#) [1200870643](#) [1200980008](#) [1200980031](#) [1210502211](#)
[1210400542](#) [1211810021](#)