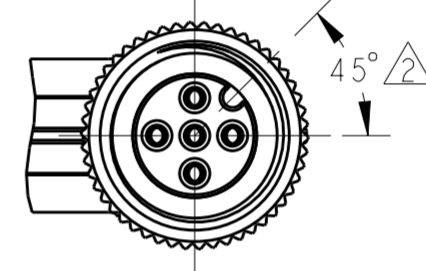
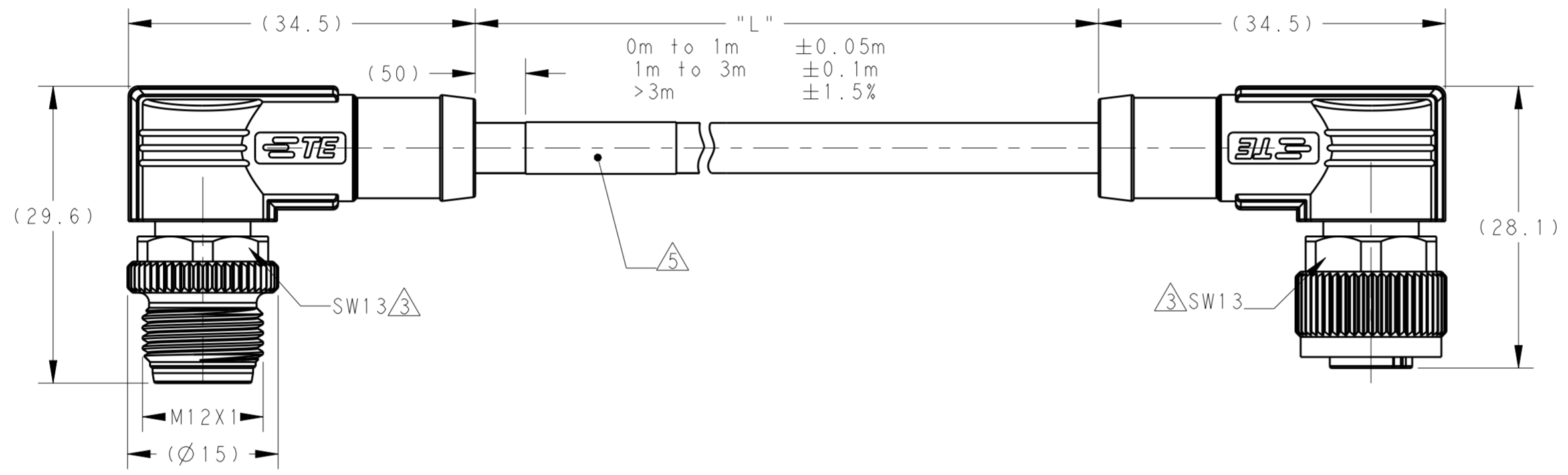
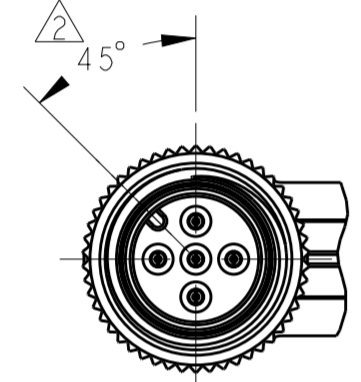
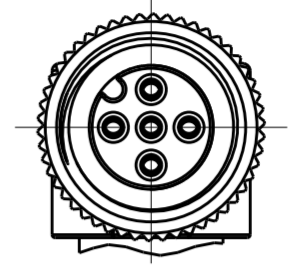
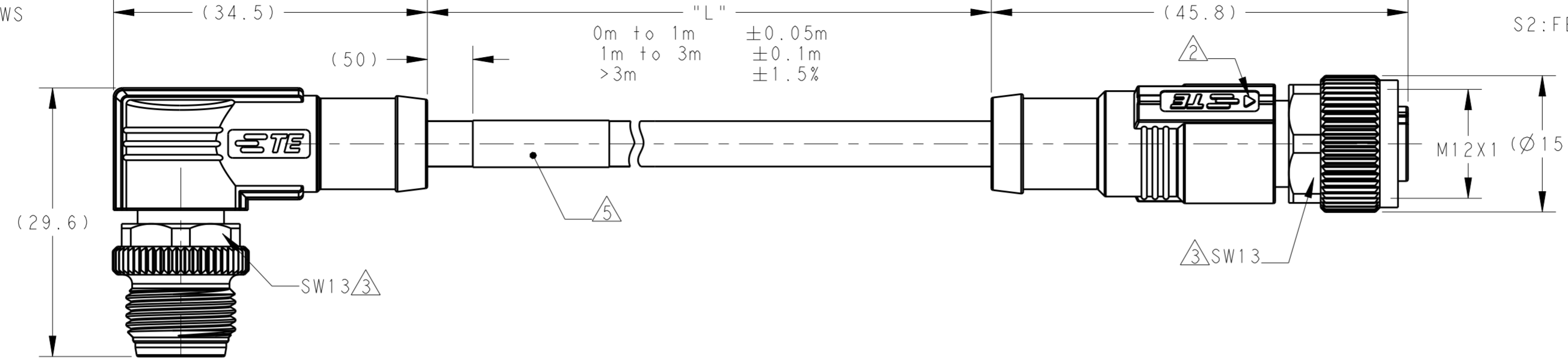
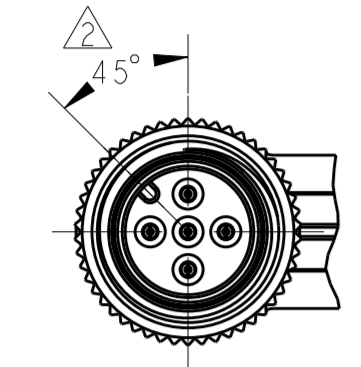


THIS DRAWING IS UNPUBLISHED. RELEASED FOR PUBLICATION 20
 © COPYRIGHT 20 BY - ALL RIGHTS RESERVED.

| REVISIONS | | | | |
|-----------|-----|-----------------|-----------|---------|
| P | LTR | DESCRIPTION | DATE | APVD |
| A | | INITIAL RELEASE | 17MAR2018 | G.W C.W |

S1: MALE SIDES FACE VIEWS

S2: FEMALE SIDES FACE VIEWS



MALE FACE VIEW

| 2-POLES | 3-POLES | 4-POLES | 5-POLES |
|-----------------------|------------------------------|---|---|
| | | | |
| WIRING DIAGRAM | | | |
| 1-BROWN 3-BLUE | 1-BROWN 3-BLUE 4-BLACK | 1-BROWN 2-WHITE 3-BLUE 4-BLACK | 1-BROWN 2-WHITE 3-BLUE 4-BLACK 5-GRAY |

FEMALE FACE VIEW

| 2-POLES | 3-POLES | 4-POLES | 5-POLES |
|-----------------------|------------------------------|---|---|
| | | | |
| WIRING DIAGRAM | | | |
| 1-BROWN 3-BLUE | 1-BROWN 3-BLUE 4-BLACK | 1-BROWN 2-WHITE 3-BLUE 4-BLACK | 1-BROWN 2-WHITE 3-BLUE 4-BLACK 5-GRAY |

TABLE 1: TECHNICAL DATA

| | T4152XX002-00X | T4152XX003-00X | T4152XX004-00X | T4152XX005-00X |
|----------------------|----------------|----------------|----------------|----------------|
| RATED VOLTAGE | 250V | | | |
| RATED CURRENT | 4A | | | |
| POLLUTION DEGREE | 3 | | | |
| OVERVOLTAGE CATEGORY | II | | | |
| MATERIAL GROUP | II | | | |
| DEGREE OF PROTECTION | IP67 | | | |

| ITEM | DESCRIPTION | MATERIAL | OTHERS |
|------|----------------|--------------|---------------|
| 1 | MALE CONTACT | COPPER ALLOY | FLASH GOLD |
| 2 | MALE HOUSING | NYLON | BLACK |
| 3 | MALE NUT | COPPER ALLOY | NICKEL PLATED |
| 4 | OVER-MOLDING | POLYURETHANE | BLUE |
| 5 | CABLE | - | - |
| 6 | LABEL | - | - |
| 7 | FEMALE NUT | COPPER ALLOY | NICKEL PLATED |
| 8 | FEMALE HOUSING | NYLON | BLACK |
| 9 | FEMALE CONTACT | COPPER ALLOY | FLASH GOLD |

THIS DRAWING IS A CONTROLLED DOCUMENT.

| | | | |
|----------------|--|----------------------------|--|
| DIMENSIONS: mm | TOLERANCES UNLESS OTHERWISE SPECIFIED: | DWN: GAVIN WANG 17MAR2018 | TE Connectivity |
| | 0 PLC ± | CHK: KEVIN HUANG 17MAR2018 | |
| | 1 PLC ± | APVD: CHRIS WANG 17MAR2018 | |
| | 2 PLC ± | PRODUCT SPEC: 108-106140 | |
| MATERIAL: - | 4 PLC ± | APPLICATION SPEC: - | NAME: M12X1 MALE TO FEMALE, XP A-CODE, UNSHIELDED SIZE: A2 CAGE CODE: - DRAWING NO: C-T4152XXX0XX00X RESTRICTED TO: A |
| - | ANGLES FINISH: - | WEIGHT: - | SCALE: 2:1 SHEET 1 OF 2 REV A |

CUSTOMER DRAWING

THIS DRAWING IS UNPUBLISHED. RELEASED FOR PUBLICATION 20
 © COPYRIGHT 20 BY - ALL RIGHTS RESERVED.

| REVISIONS | | | | |
|-----------|-----|-----------------|-----------|---------|
| P | LTR | DESCRIPTION | DATE | APVD |
| | A | INITIAL RELEASE | 17MAR2018 | G.W C.W |
| | | | | |
| | | | | |

TE PN CODING:

T 4 1 5 2 X X X 0 X X - 0 0 X

THREAD M12X1
DOUBLE ENDED
UNSHIELDED

S1 TYPE:
1-MALE STRAIGHT
2-MALE 90°
3-FEMALE STRAIGHT
4-FEMALE 90°

S2 TYPE:
1-MALE STRAIGHT
2-MALE 90°
3-FEMALE STRAIGHT
4-FEMALE 90°

CABLE TYPE
1-0.34mm², PVC BLACK
2-0.34mm², PUR GRAY

POLES:
02-INSERT 2 POLES
03-INSERT 3 POLES
04-INSERT 4 POLES
05-INSERT 5 POLES

△ CABLE LENGTH:
STANDARD:
-001: 0.5 M
-002: 1.0 M
-003: 1.5 M
-004: 3.0 M
-005: 5.0 M
-006: 7.0 M
-007: 10.0 M
CUSTOMIZATION:
-XX0: XX.0 M
-XX5: XX.5 M
-99X: 0.X M

TE TYPE CODING:

RPC - M 1 2 - X X X - * * - M 1 2 - X X X - P X X

RPC SERIES

S1 CONNECTOR TYPE:
M12X1 CONNECTOR

S1 TYPE:
2MR-2CON, MALE 90°
3MR-3CON, MALE 90°
4MR-4CON, MALE 90°
5MR-5CON, MALE 90°

CABLE LENGTH:
0.5: 0.5M,
1.0: 1.0M,
1.5: 1.5M,
3.0: 3.0M,
5.0: 5.0M,
7.0: 7.0M,
10.0: 10.0M,
...

S2 CONNECTOR TYPE:
M12X1 CONNECTOR

S2 TYPE:
2FS-2CON, FEMALE STRAIGHT
3FS-3CON, FEMALE STRAIGHT
4FS-4CON, FEMALE STRAIGHT
5FS-5CON, FEMALE STRAIGHT
2FR-2CON, FEMALE 90°
3FR-3CON, FEMALE 90°
4FR-4CON, FEMALE 90°
5FR-5CON, FEMALE 90°

CABLE TYPE
PVC-0.34mm², PVC BLACK
PUR-0.34mm², PUR GRAY

NOTE:

- △. TECHNICAL DATA: SEE TABLE 1
- △. CODE POSITION INDICATOR
- △. RECOMMENDED TORQUE 0.6 Nm
- 4. CABLE ASSEMBLY TO BE PACKAGED IN POLYBAGS
- △. LABEL CONTAINS: PN, DATE CODE...
- △. CABLE LENGTH CODE:
STANDARD LENGTH: 001...007
CUSTOMIZATION LENGTH: >1.0M; XX0 OR XX5
EXAMPLE: 3.5M: 035; 15.0M: 150...
<1.0M; 99X
EXAMPLE: 0.4M: 994; ...0.9M: 999

注释:

- △. 技术参数: 参考表 1
- △. CODE 位置指示
- △. 推荐扭矩 0.6 Nm
- 4. 线缆组件塑料袋包装
- △. 标签包含: 产品编号, 日期代码...
- △. 线缆长度编码:
标准长度: 001...007
定制长度: >1.0M; XX0 或 XX5
例如: 3.5M: 035; 15.0M: 150...
<1.0M; 99X
例如: 0.4M: 994; ...0.9M: 999

| CABLE TEMP. RANGE | JACKET COLOR | JACKET MATERIAL | TYPE | POS. | TE PART NUMBER |
|--|--------------|-----------------|----------------------------|------|-----------------|
| FIXED: -40°C~+80°C FLXIBLE: -25°C~+80°C | GRAY | PUR (UL) | RPC-M12-5MR-**-M12-5FS-PUR | 5 | T4152223005-00X |
| | | | RPC-M12-4MR-**-M12-4FS-PUR | 4 | T4152223004-00X |
| | | | RPC-M12-3MR-**-M12-3FS-PUR | 3 | T4152223003-00X |
| | | | RPC-M12-2MR-**-M12-2FS-PUR | 2 | T4152223002-00X |
| FIXED: -10°C~+80°C FLXIBLE: -5°C~+80°C | BLACK | PVC (UL) | RPC-M12-5MR-**-M12-5FS-PVC | 5 | T4152213005-00X |
| | | | RPC-M12-4MR-**-M12-4FS-PVC | 4 | T4152213004-00X |
| | | | RPC-M12-3MR-**-M12-3FS-PVC | 3 | T4152213003-00X |
| | | | RPC-M12-2MR-**-M12-2FS-PVC | 2 | T4152213002-00X |
| FIXED: -40°C~+80°C FLXIBLE: -25°C~+80°C | GRAY | PUR (UL) | RPC-M12-5MR-**-M12-5FR-PUR | 5 | T4152224005-00X |
| | | | RPC-M12-4MR-**-M12-4FR-PUR | 4 | T4152224004-00X |
| | | | RPC-M12-3MR-**-M12-3FR-PUR | 3 | T4152224003-00X |
| | | | RPC-M12-2MR-**-M12-2FR-PUR | 2 | T4152224002-00X |
| FIXED: -10°C~+80°C FLXIBLE: -5°C~+80°C | BLACK | PVC (UL) | RPC-M12-5MR-**-M12-5FR-PVC | 5 | T4152214005-00X |
| | | | RPC-M12-4MR-**-M12-4FR-PVC | 4 | T4152214004-00X |
| | | | RPC-M12-3MR-**-M12-3FR-PVC | 3 | T4152214003-00X |
| | | | RPC-M12-2MR-**-M12-2FR-PVC | 2 | T4152214002-00X |

THIS DRAWING IS A CONTROLLED DOCUMENT.

| | | | |
|-------------------|---|---|--|
| DIMENSIONS: mm | TOLERANCES UNLESS OTHERWISE SPECIFIED: 0 PLC ± 1 PLC ± 2 PLC ± 3 PLC ± 4 PLC ± ANGLES ± FINISH | DWN 17MAR2018 GAVIN WANG CHK 17MAR2018 KEVIN HUANG APVD 17MAR2018 CHRIS WANG | NAME M12X1 MALE TO FEMALE, XP A-CODE, UNSHIELDED |
| MATERIAL | | PRODUCT SPEC 108-106140 | SIZE A2 |
| | | APPLICATION SPEC | CAGE CODE |
| | | WEIGHT | DRAWING NO G-T4152XXX0XX00X |
| | | CUSTOMER DRAWING | RESTRICTED TO |
| | | SCALE 2:1 | SHEET 2 OF 2 |
| | | | REV A |

STE TE Connectivity

X-ON Electronics

Largest Supplier of Electrical and Electronic Components

Click to view similar products for [Sensor Cables / Actuator Cables](#) category:

Click to view products by [TE Connectivity](#) manufacturer:

Other Similar products are found below :

[60963](#) [60964](#) [703000D02F2002](#) [703001D02F0602](#) [703001D02F300](#) [704000D02F120](#) [773032K02F030](#) [802027107404-1](#) [802027213811-1](#)
[804001A09M150](#) [805001A09M0502](#) [84914-0235](#) [84914-0237](#) [885030A09M020](#) [1200651332](#) [1200651713](#) [1200660844](#) [1200660845](#)
[1200661173](#) [1200680071](#) [1200720053](#) [1200720081](#) [1200720099](#) [1200720217](#) [1200800231](#) [1200860125](#) [1200870123](#) [1200980102](#)
[1200650267](#) [1200650298](#) [1200660183](#) [1200660782](#) [1200660849](#) [1200661295](#) [1200661297](#) [1200661342](#) [1200661343](#) [1200670080](#)
[1200670220](#) [1200680331](#) [1200720252](#) [1200730184](#) [1200860344](#) [1200870359](#) [1200870643](#) [1200980008](#) [1200980031](#) [1210502211](#)
[1210400542](#) [1211810021](#)