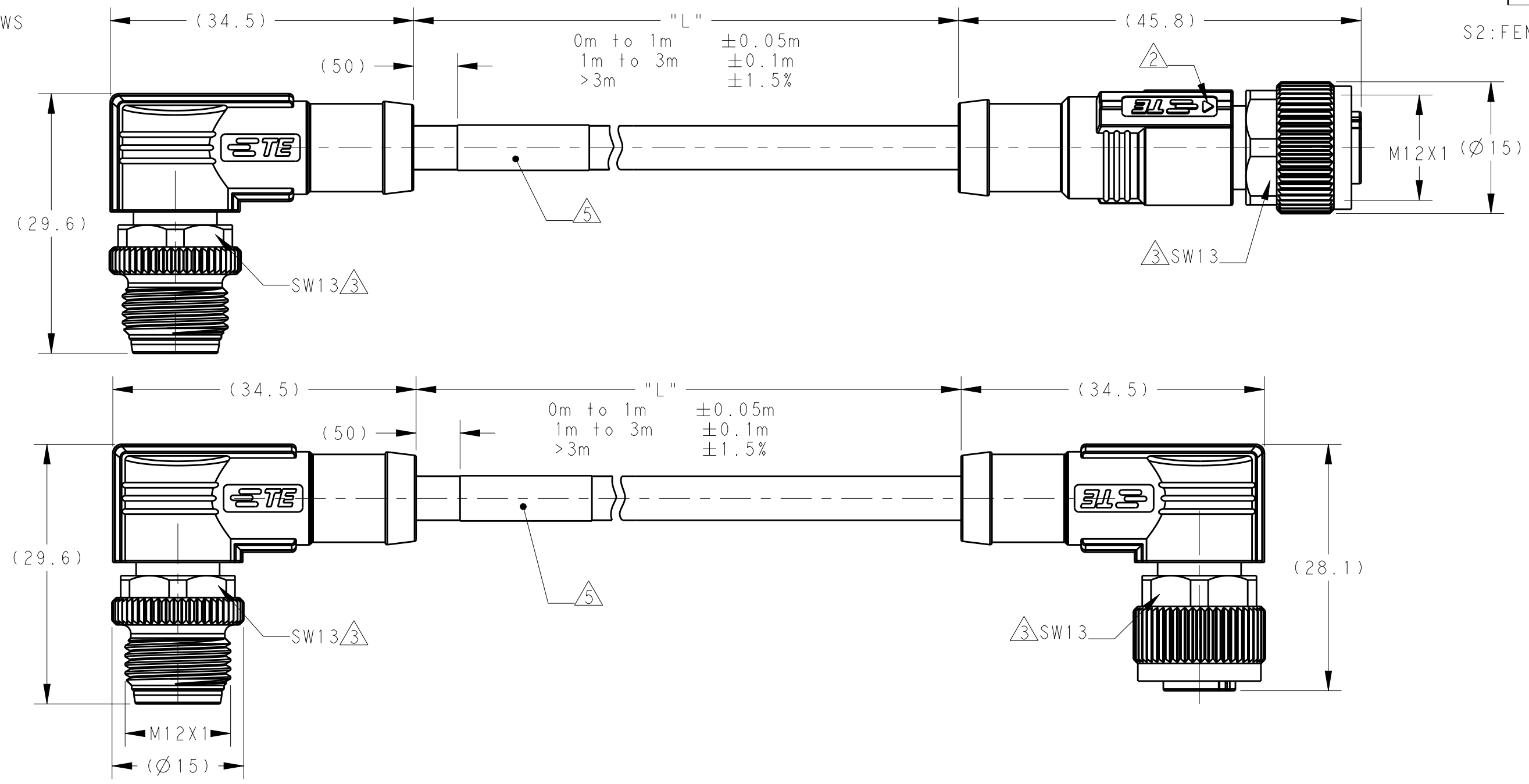
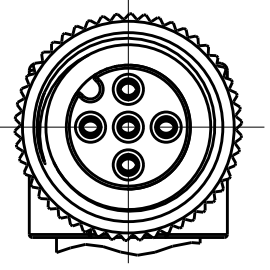
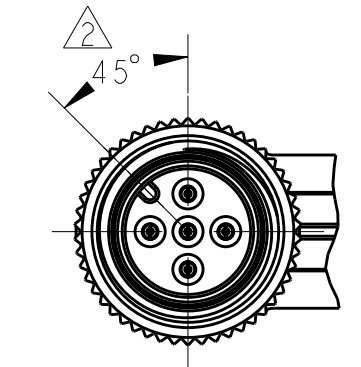


THIS DRAWING IS UNPUBLISHED. RELEASED FOR PUBLICATION 20
 © COPYRIGHT 20 BY - ALL RIGHTS RESERVED.

REVISIONS				
P	LTR	DESCRIPTION	DATE	APVD
A		INITIAL RELEASE	17MAR2018	G.W C.W

S1: MALE SIDES FACE VIEWS

S2: FEMALE SIDES FACE VIEWS



MALE FACE VIEW

2-POLES	3-POLES	4-POLES	5-POLES
WIRING DIAGRAM			
1-BROWN 3-BLUE	1-BROWN 3-BLUE 4-BLACK	1-BROWN 2-WHITE 3-BLUE 4-BLACK	1-BROWN 2-WHITE 3-BLUE 4-BLACK 5-GRAY

FEMALE FACE VIEW

2-POLES	3-POLES	4-POLES	5-POLES
WIRING DIAGRAM			
1-BROWN 3-BLUE	1-BROWN 3-BLUE 4-BLACK	1-BROWN 2-WHITE 3-BLUE 4-BLACK	1-BROWN 2-WHITE 3-BLUE 4-BLACK 5-GRAY

TABLE 1: TECHNICAL DATA

	T4152XX002-00X	T4152XX003-00X	T4152XX004-00X	T4152XX005-00X
RATED VOLTAGE	250V			
RATED CURRENT	4A			
POLLUTION DEGREE	3			
OVERVOLTAGE CATEGORY	II			
MATERIAL GROUP	II			
DEGREE OF PROTECTION	IP67			

ITEM	DESCRIPTION	MATERIAL	OTHERS
1	MALE CONTACT	COPPER ALLOY	FLASH GOLD
2	MALE HOUSING	NYLON	BLACK
3	MALE NUT	COPPER ALLOY	NICKEL PLATED
4	OVER-MOLDING	POLYURETHANE	BLUE
5	CABLE	-	-
6	LABEL	-	-
7	FEMALE NUT	COPPER ALLOY	NICKEL PLATED
8	FEMALE HOUSING	NYLON	BLACK
9	FEMALE CONTACT	COPPER ALLOY	FLASH GOLD

THIS DRAWING IS A CONTROLLED DOCUMENT.

DIMENSIONS: mm	TOLERANCES UNLESS OTHERWISE SPECIFIED:	DWN: GAVIN WANG 17MAR2018	TE Connectivity
	0 PLC ±	CHK: KEVIN HUANG 17MAR2018	
	1 PLC ±	APVD: CHRIS WANG 17MAR2018	
	2 PLC ±	PRODUCT SPEC: 108-106140	
MATERIAL	3 PLC ±	APPLICATION SPEC: -	NAME: M12X1 MALE TO FEMALE, XP A-CODE, UNSHIELDED
	4 PLC ±	WEIGHT: -	SIZE: A2
	ANGLES FINISH	CUSTOMER DRAWING	CAGE CODE: -
		SCALE: 2:1	DRAWING NO: T4152XXX0XX00X
		SHEET: 1 OF 2	RESTRICTED TO: A

THIS DRAWING IS UNPUBLISHED. RELEASED FOR PUBLICATION 20
 © COPYRIGHT 20 BY - ALL RIGHTS RESERVED.

REVISIONS				
P	LTR	DESCRIPTION	DATE	APVD
	A	INITIAL RELEASE	17MAR2018	G.W C.W

TE PN CODING:

T 4 1 5 2 X X X 0 X X - 0 0 X

THREAD M12X1
DOUBLE ENDED
UNSHIELDED

S1 TYPE:
1-MALE STRAIGHT
2-MALE 90°
3-FEMALE STRAIGHT
4-FEMALE 90°

S2 TYPE:
1-MALE STRAIGHT
2-MALE 90°
3-FEMALE STRAIGHT
4-FEMALE 90°

△ CABLE LENGTH:
STANDARD:
-001: 0.5 M
-002: 1.0 M
-003: 1.5 M
-004: 3.0 M
-005: 5.0 M
-006: 7.0 M
-007: 10.0 M
CUSTOMIZATION:
-XX0: XX.0 M
-XX5: XX.5 M
-99X: 0.X M

CABLE TYPE
1-0.34mm², PVC BLACK
2-0.34mm², PUR GRAY

POLES:
02-INSERT 2 POLES
03-INSERT 3 POLES
04-INSERT 4 POLES
05-INSERT 5 POLES

TE TYPE CODING:

RPC - M 1 2 - X X X - * * - M 1 2 - X X X - P X X

RPC SERIES

S1 CONNECTOR TYPE:
M12X1 CONNECTOR

S1 TYPE:
2MR-2CON, MALE 90°
3MR-3CON, MALE 90°
4MR-4CON, MALE 90°
5MR-5CON, MALE 90°

CABLE LENGTH:
0.5: 0.5M,
1.0: 1.0M,
1.5: 1.5M,
3.0: 3.0M,
5.0: 5.0M,
7.0: 7.0M,
10.0: 10.0M,
...

S2 CONNECTOR TYPE:
M12X1 CONNECTOR

S2 TYPE:
2FS-2CON, FEMALE STRAIGHT
3FS-3CON, FEMALE STRAIGHT
4FS-4CON, FEMALE STRAIGHT
5FS-5CON, FEMALE STRAIGHT
2FR-2CON, FEMALE 90°
3FR-3CON, FEMALE 90°
4FR-4CON, FEMALE 90°
5FR-5CON, FEMALE 90°

CABLE TYPE
PVC-0.34mm², PVC BLACK
PUR-0.34mm², PUR GRAY

NOTE:

- △. TECHNICAL DATA: SEE TABLE 1
- △. CODE POSITION INDICATOR
- △. RECOMMENDED TORQUE 0.6 Nm
- 4. CABLE ASSEMBLY TO BE PACKAGED IN POLYBAGS
- △. LABEL CONTAINS: PN, DATE CODE...
- △. CABLE LENGTH CODE:
STANDARD LENGTH: 001...007
CUSTOMIZATION LENGTH: >1.0M; XX0 OR XX5
EXAMPLE: 3.5M: 035; 15.0M: 150...
<1.0M; 99X
EXAMPLE: 0.4M: 994; ...0.9M: 999

注释:

- △. 技术参数: 参考表 1
- △. CODE 位置指示
- △. 推荐扭矩 0.6 Nm
- 4. 线缆组件塑料袋包装
- △. 标签包含: 产品编号, 日期代码...
- △. 线缆长度编码:
标准长度: 001...007
定制长度: >1.0M; XX0 或 XX5
例如: 3.5M: 035; 15.0M: 150...
<1.0M; 99X
例如: 0.4M: 994; ...0.9M: 999

CABLE TEMP. RANGE	JACKET COLOR	JACKET MATERIAL	TYPE	POS.	TE PART NUMBER
FIXED: -40°C~+80°C FLXIBLE: -25°C~+80°C	GRAY	PUR (UL)	RPC-M12-5MR-**-M12-5FS-PUR	5	T4152223005-00X
			RPC-M12-4MR-**-M12-4FS-PUR	4	T4152223004-00X
			RPC-M12-3MR-**-M12-3FS-PUR	3	T4152223003-00X
			RPC-M12-2MR-**-M12-2FS-PUR	2	T4152223002-00X
FIXED: -10°C~+80°C FLXIBLE: -5°C~+80°C	BLACK	PVC (UL)	RPC-M12-5MR-**-M12-5FS-PVC	5	T4152213005-00X
			RPC-M12-4MR-**-M12-4FS-PVC	4	T4152213004-00X
			RPC-M12-3MR-**-M12-3FS-PVC	3	T4152213003-00X
			RPC-M12-2MR-**-M12-2FS-PVC	2	T4152213002-00X
FIXED: -40°C~+80°C FLXIBLE: -25°C~+80°C	GRAY	PUR (UL)	RPC-M12-5MR-**-M12-5FR-PUR	5	T4152224005-00X
			RPC-M12-4MR-**-M12-4FR-PUR	4	T4152224004-00X
			RPC-M12-3MR-**-M12-3FR-PUR	3	T4152224003-00X
			RPC-M12-2MR-**-M12-2FR-PUR	2	T4152224002-00X
FIXED: -10°C~+80°C FLXIBLE: -5°C~+80°C	BLACK	PVC (UL)	RPC-M12-5MR-**-M12-5FR-PVC	5	T4152214005-00X
			RPC-M12-4MR-**-M12-4FR-PVC	4	T4152214004-00X
			RPC-M12-3MR-**-M12-3FR-PVC	3	T4152214003-00X
			RPC-M12-2MR-**-M12-2FR-PVC	2	T4152214002-00X

THIS DRAWING IS A CONTROLLED DOCUMENT.

DIMENSIONS: mm	TOLERANCES UNLESS OTHERWISE SPECIFIED: 0 PLC ± 1 PLC ± 2 PLC ± 3 PLC ± 4 PLC ± ANGLES ± FINISH	DWN 17MAR2018 GAVIN WANG CHK 17MAR2018 KEVIN HUANG APVD 17MAR2018 CHRIS WANG	NAME M12X1 MALE TO FEMALE, XP A-CODE, UNSHIELDED
MATERIAL		PRODUCT SPEC 108-106140	SIZE A2
		APPLICATION SPEC	CAGE CODE
		WEIGHT	DRAWING NO G-T4152XXX0XX00X
		CUSTOMER DRAWING	RESTRICTED TO
		SCALE 2:1	SHEET 2 OF 2
			REV A

STE TE Connectivity

X-ON Electronics

Largest Supplier of Electrical and Electronic Components

Click to view similar products for [Sensor Cables / Actuator Cables](#) category:

Click to view products by [TE Connectivity](#) manufacturer:

Other Similar products are found below :

[60963](#) [60964](#) [703000D02F2002](#) [703001D02F0602](#) [703001D02F300](#) [704000D02F120](#) [773032K02F030](#) [802027107404-1](#) [802027213811-1](#)
[804001A09M150](#) [805001A09M0502](#) [84914-0235](#) [84914-0237](#) [885030A09M020](#) [1200651332](#) [1200651713](#) [1200660844](#) [1200660845](#)
[1200661173](#) [1200680071](#) [1200720053](#) [1200720081](#) [1200720099](#) [1200720217](#) [1200800231](#) [1200860125](#) [1200870123](#) [1200980102](#)
[1200650267](#) [1200650298](#) [1200660183](#) [1200660782](#) [1200660849](#) [1200661295](#) [1200661297](#) [1200661342](#) [1200661343](#) [1200670080](#)
[1200670220](#) [1200680331](#) [1200720252](#) [1200730184](#) [1200860344](#) [1200870359](#) [1200870643](#) [1200980008](#) [1200980031](#) [1210502211](#)
[1210400542](#) [1211810021](#)