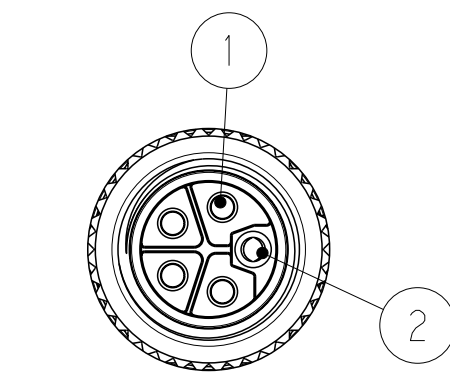


THIS DRAWING IS UNPUBLISHED. RELEASED FOR PUBLICATION
 © COPYRIGHT copyright.d8Te- ALL RIGHTS RESERVED.

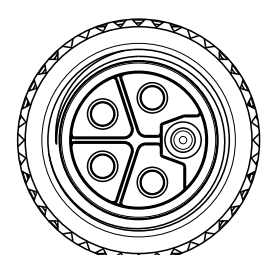
ITEM	DESCRIPTION	MATERIAL	OTHERS
1	MALE CONTACT	COPPER ALLOY	GOLD PLATED
2	FE FEMALE CONTACT	COPPER ALLOY	GOLD PLATED
3	MALE NUT	COPPER ALLOY	NICKEL PLATED
4	MALE HOUSING	NYLON	BLACK 4P GRAY 5P
5	METAL SHELL	COPPER ALLOY	NICKEL PLATED
6	CONNECTOR GRIP	TPU	BLACK
7	CABLE	PVC/PUR JACKET	BLACK OR GRAY
8	LABEL	-	-

REVISIONS				
P	LTR	DESCRIPTION	DATE	APVD
	A	NEW RELEASE	01FEB2021	AZ CW

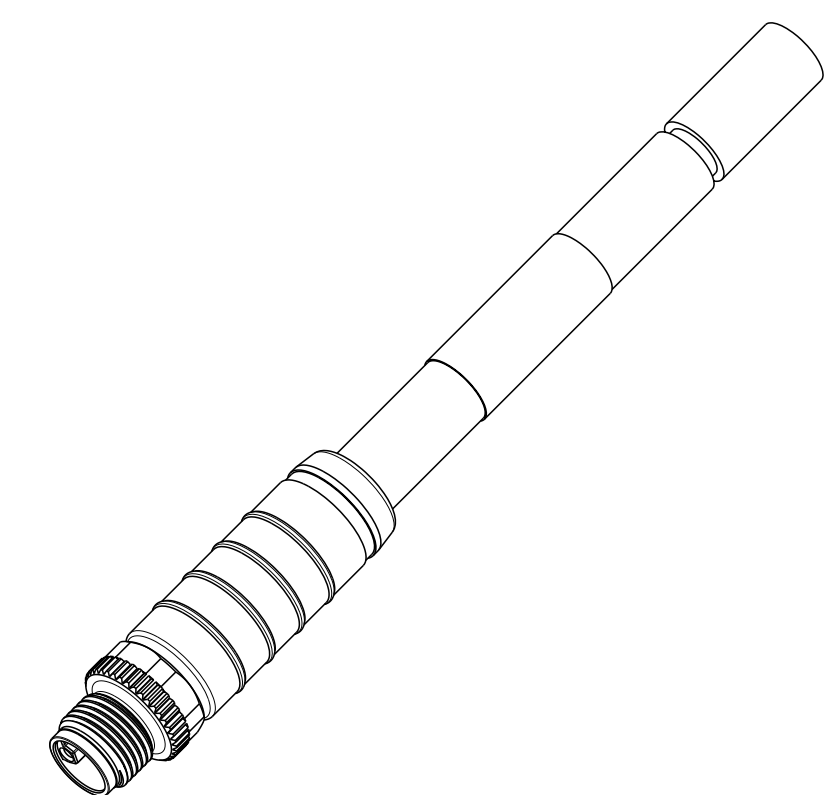
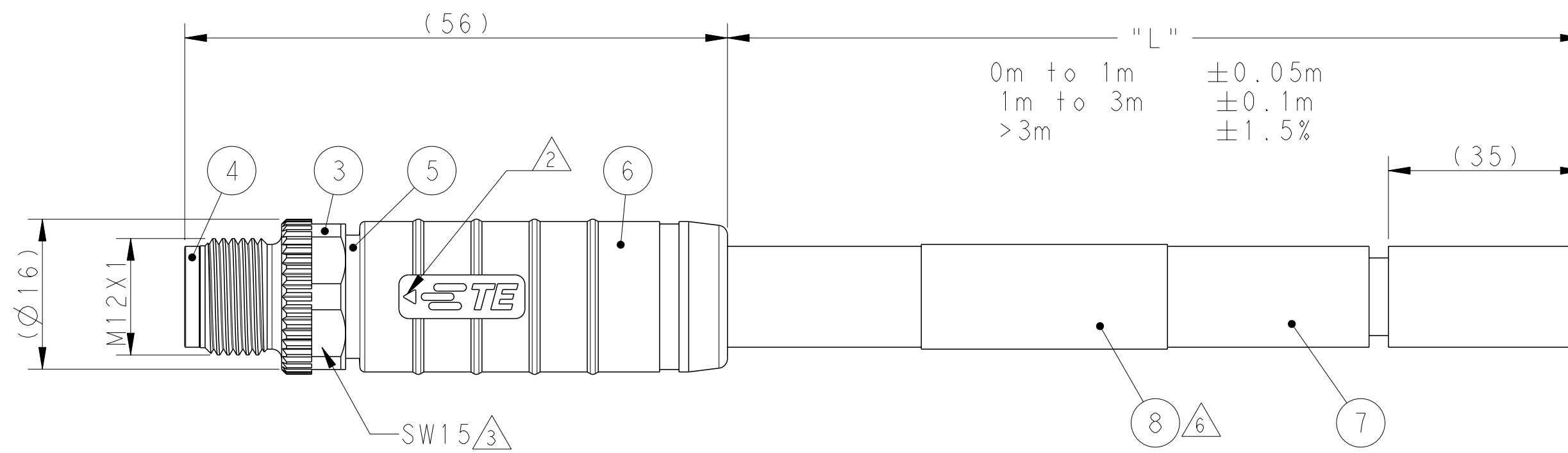
NOTE:
 1. TECHNICAL DATA SEE TABLE 1
 2. CODE POSITION INDICATOR
 3. RECOMMENDED TORQUE 0.6 Nm
 4. -*: CABLE LENGTH, FOR EXAMPLE: -0.5M
 5. CABLE ASSEMBLY TO BE PACKAGED IN POLYBAGS
 6. LABEL CONTAINS: PN, DATE CODE...



5 POLE AS SHOWN



4 POLE AS SHOWN



SCALE 1:1

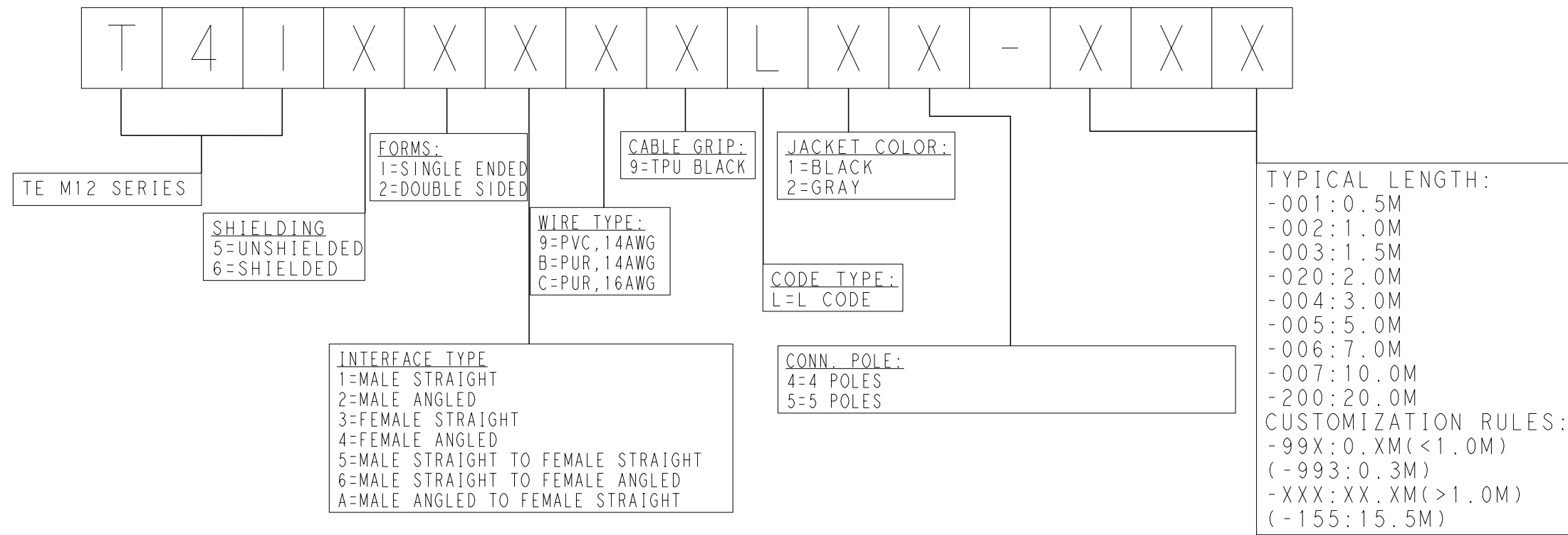
TECHNICAL DATA	
RATED VOLTAGE	63V
RATED IMPULSE VOLTAGE	1500V
RATED CURRENT	16A/14AWG 12A/16AWG
POLLUTION DEGREE	3
OVERVOLTAGE CATEGORY	III
DEGREE OF PROTECTION	IP67

THIS DRAWING IS A CONTROLLED DOCUMENT.		DWN 04NOV2020 ALEX ZHANG	TE Connectivity	
DIMENSIONS: mm		CHK 04NOV2020 HART HE		
TOLERANCES UNLESS OTHERWISE SPECIFIED:		APVD 04NOV2020 CHRIS WANG	NAME M12 L CODE CORDSETS MALE STRAIGHT	
		PRODUCT SPEC 108-137350	RESTRICTED TO -	
MATERIAL -		APPLICATION SPEC 114-137144	SIZE A2	CAGE CODE -
FINISH -		WEIGHT -	DRAWING NO. C-T41X11XXLXXXX	
		CUSTOMER DRAWING	SCALE 2:1	SHEET 1 OF 2
				REV A

THIS DRAWING IS UNPUBLISHED. RELEASED FOR PUBLICATION
 © COPYRIGHT copyright.d8Te- ALL RIGHTS RESERVED.

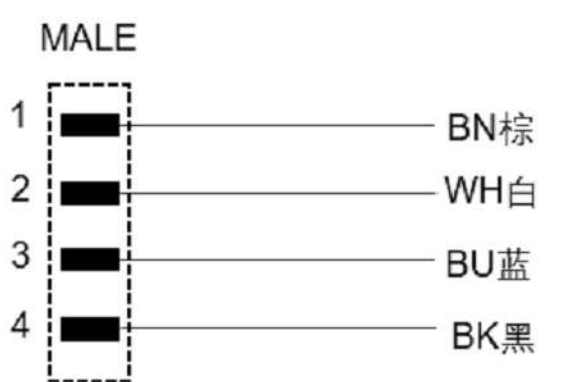
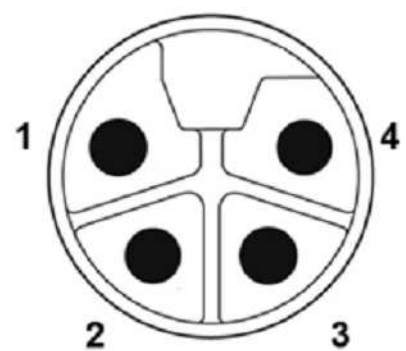
REVISIONS				
P	LTR	DESCRIPTION	DATE	APVD
-	-	SEE SHEET 1	-	-

TE PN CODING:

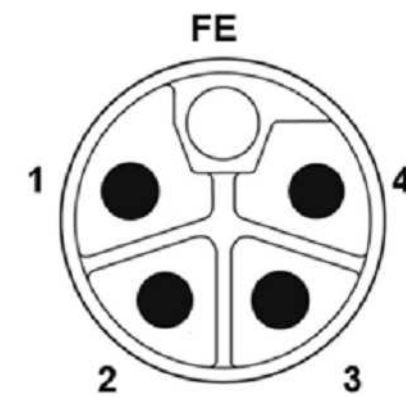


CIRCUIT DIAGRAM L CODE

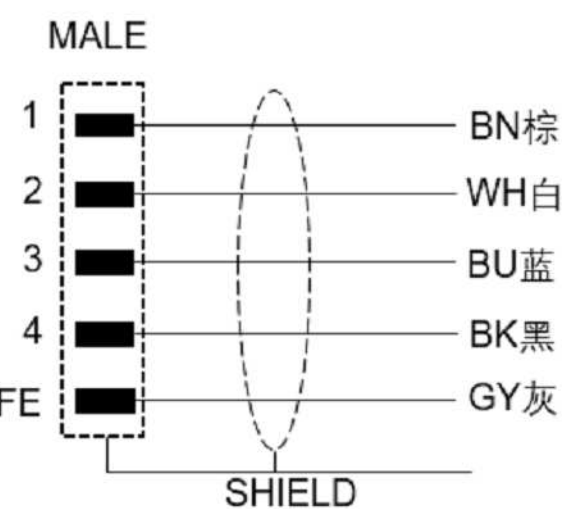
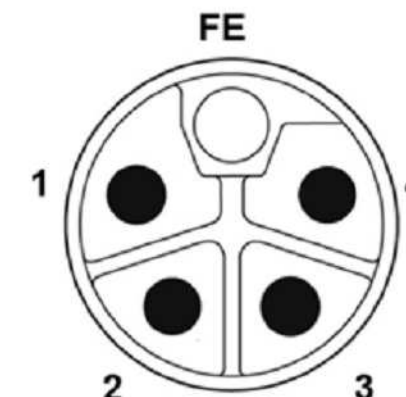
CIRCUIT DIAGRAM UNSHIELDED 4P



CIRCUIT DIAGRAM UNSHIELDED 5P



CIRCUIT DIAGRAM SHIELDED 5P



<p>WIRES: 5X14AWG JACKET: PUR GRAY WIRE COLOR: BROWN/WHITE/BLUE/BLACK/GRAY OD: APPROX. 10.40mm TEMPERATURE RATING: 80°C UL TEMP RATING: -50°C TO +80°C FIXED -30°C TO +80°C MOVED SUITABLE FOR DRAG CHAIN APPLICATIONS</p>
<p>WIRES: 5X16AWG JACKET: PUR GRAY WIRE COLOR: BROWN/WHITE/BLUE/BLACK/GRAY OD: APPROX. 9.10mm TEMPERATURE RATING: 80°C UL TEMP RATING: -50°C TO +80°C FIXED -30°C TO +80°C MOVED SUITABLE FOR DRAG CHAIN APPLICATIONS</p>
<p>WIRES: 5X14AWG JACKET: PUR GRAY WIRE COLOR: BROWN/WHITE/BLUE/BLACK/GRAY OD: APPROX. 9.65mm TEMPERATURE RATING: 80°C UL TEMP RATING: -50°C TO +80°C FIXED -30°C TO +80°C MOVED SUITABLE FOR DRAG CHAIN APPLICATIONS</p>
<p>WIRES: 5X14AWG JACKET: PVC GRAY WIRE COLOR: BROWN/WHITE/BLUE/BLACK/GRAY OD: APPROX. 10.1mm TEMPERATURE RATING: 80°C UL TEMP RATING: -40°C TO +80°C FIXED -20°C TO +80°C MOVED</p>
<p>WIRES: 4X16AWG JACKET: PUR BLACK WIRE COLOR: BROWN/WHITE/BLUE/BLACK OD: APPROX. 8.4mm TEMPERATURE RATING: 80°C UL TEMP RATING: -50°C TO +80°C FIXED -30°C TO +80°C MOVED SUITABLE FOR DRAG CHAIN APPLICATIONS</p>
<p>WIRES: 4X14AWG JACKET: PVC BLACK WIRE COLOR: BROWN/WHITE/BLUE/BLACK OD: APPROX. 9.5mm TEMPERATURE RATING: 80°C UL TEMP RATING: -40°C TO +80°C FIXED -20°C TO +80°C MOVED</p>

TYPICAL LENGTH:
-001: 0.5M
-002: 1.0M
-003: 1.5M
-020: 2.0M
-004: 3.0M
-005: 5.0M
-006: 7.0M
-007: 10.0M
-200: 20.0M
CUSTOMIZATION RULES:
-99X: 0.XM(<1.0M)
(-993: 0.3M)
-XXX: XX.XM(>1.0M)
(-155: 15.5M)

CABLE CHARACTERISTIC	LENGTH "L"	TYPE	POS.	HSG COLOR	SHIELDING	TABLE 2 TE PN
RPC-M12L-5MS-**-SH PUR 14AWG GY	4	5	GRAY	Y	T41611B9L25-XXX	17
RPC-M12L-5MS-**-PUR 16AWG GY	4	5	GRAY	N	T41511C9L25-XXX	16
RPC-M12L-5MS-**-PUR 14AWG GY	4	5	GRAY	N	T41511B9L25-XXX	16
RPC-M12L-5MS-**-PVC 14AWG GY	4	5	GRAY	N	T4151199L25-XXX	16
RPC-M12L-4MS-**-PUR 16AWG BK	4	4	BLACK	N	T41511C9L14-XXX	15
RPC-M12L-4MS-**-PVC 14AWG BK	4	4	BLACK	N	T4151199L14-XXX	15

THIS DRAWING IS A CONTROLLED DOCUMENT.

DWN: ALEX ZHANG 04NOV2020
 CHK: HART HE 04NOV2020
 APVD: CHRIS WANG 04NOV2020

STE TE Connectivity

NAME: M12 L CODE CORDSETS MALE STRAIGHT

PRODUCT SPEC: 108-137350
 APPLICATION SPEC: 114-137144

SIZE: A2 CAGE CODE: - DRAWING NO: G-T41X11XXLXXXXX RESTRICTED TO: -
 WEIGHT: -
 CUSTOMER DRAWING SCALE: 2:1 SHEET: 2 OF 2 REV: A

X-ON Electronics

Largest Supplier of Electrical and Electronic Components

Click to view similar products for [Sensor Cables / Actuator Cables](#) category:

Click to view products by [TE Connectivity](#) manufacturer:

Other Similar products are found below :

[60963](#) [60964](#) [M83513/19-F01CP](#) [703000D02F2002](#) [703000D02F300](#) [703001D02F0602](#) [703001D02F1201](#) [703001D02F300](#)
[773032K02F030](#) [802027213811-1](#) [804001A09M150](#) [805001A09M0502](#) [84914-0235](#) [84914-0237](#) [885030A09M010](#) [8R4006A18M010](#)
[8R4J30E03C3003](#) [1200650503](#) [1200651713](#) [1200660844](#) [1200660845](#) [1200661173](#) [1200680071](#) [1200720053](#) [1200720081](#) [1200720099](#)
[1200720217](#) [1200800231](#) [1200860125](#) [1200870123](#) [1200660183](#) [1200660782](#) [1200660849](#) [1200661295](#) [1200661297](#) [1200661342](#)
[1200661343](#) [1200670080](#) [1200680331](#) [1200720252](#) [1200720255](#) [1200720597](#) [1200730184](#) [1200860344](#) [1200870359](#) [1200870643](#)
[1200980008](#) [1200980031](#) [1210502211](#) [1210400542](#)