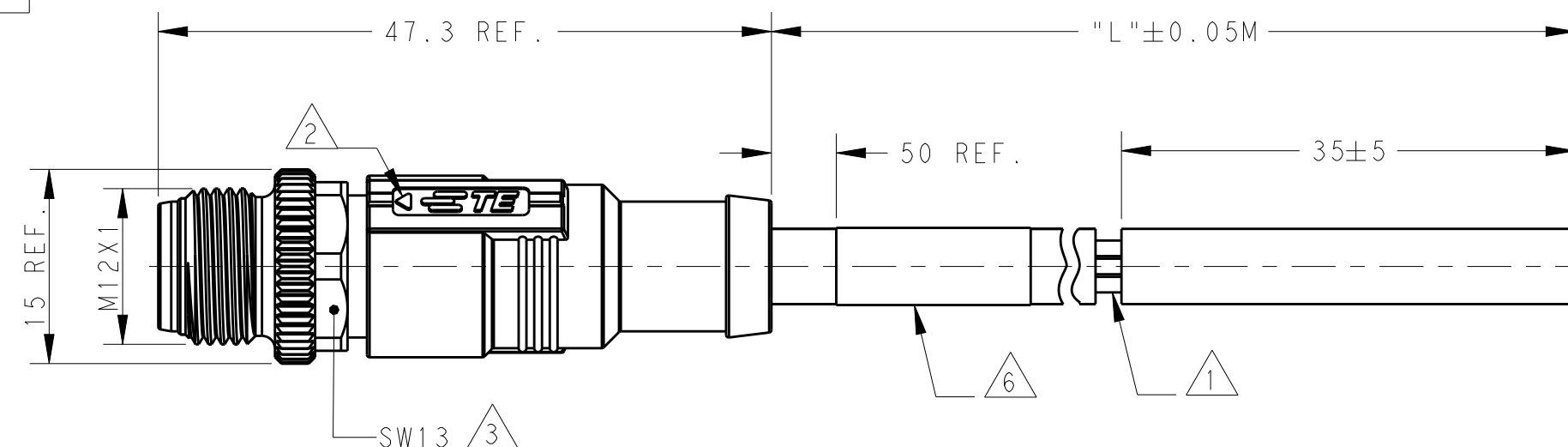
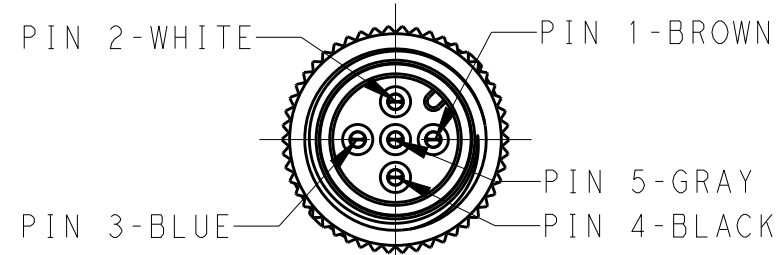


THIS DRAWING IS UNPUBLISHED. RELEASED FOR PUBLICATION 20
 © COPYRIGHT 20 BY - ALL RIGHTS RESERVED.

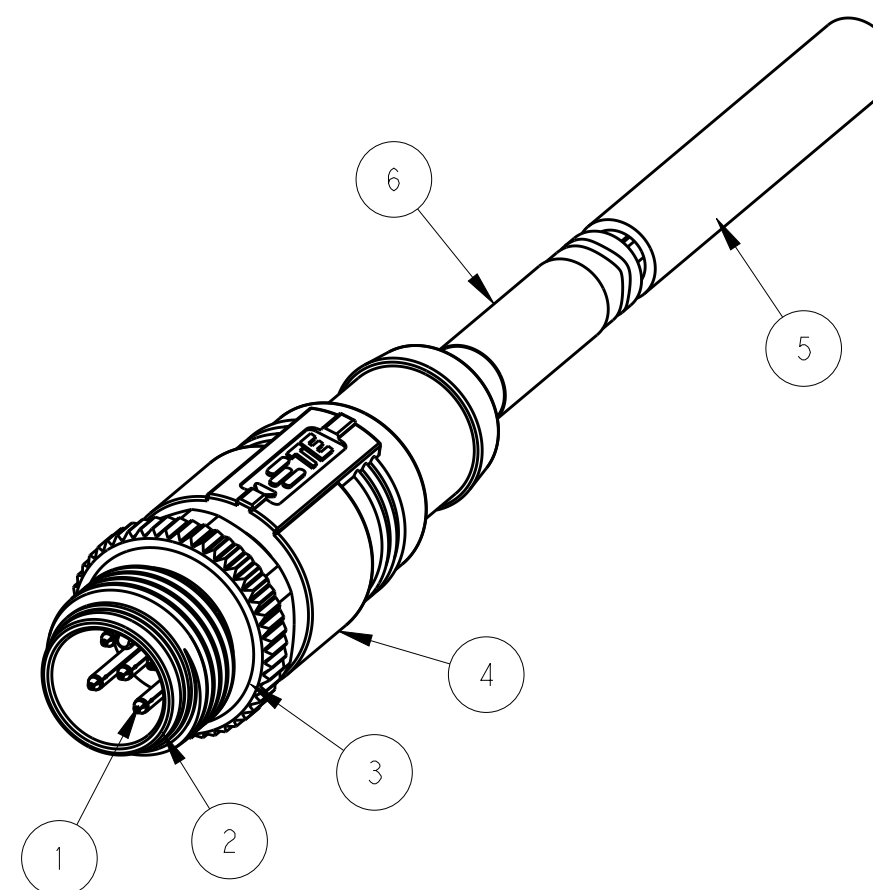
| REVISIONS | | | | |
|-----------|-----|-----------------|-----------|----------|
| P | LTR | DESCRIPTION | DATE | DWN APVD |
| | A | INITIAL RELEASE | 08JAN2016 | HW XX |

| ITEM | DESCRIPTION | MATERIAL | OTHERS |
|------|--------------|--------------|------------|
| 1 | MALE CONTACT | COPPER ALLOY | FLASH GOLD |
| 2 | HOUSING | NYLON | BLACK |
| 3 | COUPLING NUT | COPPER ALLOY | - |
| 4 | OVER-MOLDING | POLYURETHANE | BLUE |
| 5 | CABLE | - | - |
| 6 | LABEL | - | - |



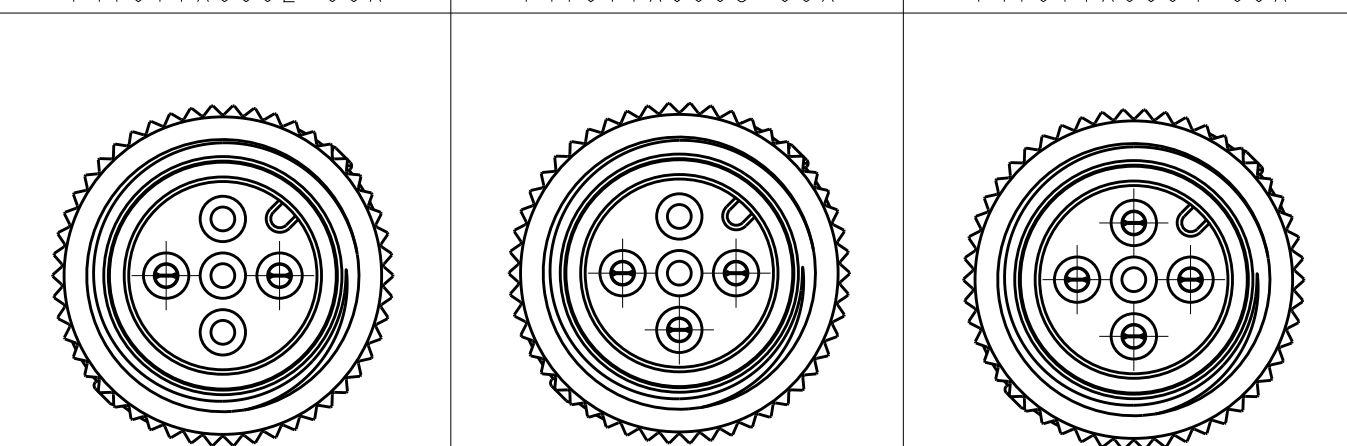
NOTE:
 △1. STRIP AND RETAIN THE INSULATION
 △2. CODE POSITION INDICATOR
 △3. RECOMMENDED TORQUE 0.6 Nm
 △4. -** : CABLE LENGTH
 -0.5:0.5M,
 -1.0:1.0M,
 -1.5:1.5M,
 -3.0:3.0M,
 -5.0:5.0M,
 -7.0:7.0M,
 -10.0:10.0M,
 5. CABLE ASSEMBLY TO BE PACKAGED IN POLYBAGS
 △6. LABEL CONTAINS: PN, DATE CODE...

| TECHNICAL DATA | T41611X0002-00X | T41611X0003-00X | T41611X0004-00X | T41611X0005-00X |
|-----------------------|-----------------|-----------------|-----------------|-----------------|
| RATED VOLTAGE | 250V | | 60V | |
| RATED IMPULSE VOLTAGE | 2500V | | 1500V | |
| RATED CURRENT | 4A | | | |
| POLLUTION DEGREE | 3 | | | |
| OVERVOLTAGE CATEGORY | II | | | |
| MATERIAL GROUP | II | | | |
| DEGREE OF PROTECTION | IP67 | | | |



注释:
 △1. 剥线并保留护套绝缘层
 △2. CODE位置指示
 △3. 推荐扭矩0.6 Nm
 △4. -** : 线缆长度
 -0.5:0.5M,
 -1.0:1.0M,
 -1.5:1.5M,
 -3.0:3.0M,
 -5.0:5.0M,
 -7.0:7.0M,
 -10.0:10.0M,
 5. 线缆组件塑料袋包装
 △6. 标签包含: 产品编号, 日期代码...

| PIN ARRANGEMENT A-CODE | | |
|------------------------|-----------------|-----------------|
| T41611X0002-00X | T41611X0003-00X | T41611X0004-00X |



| T41611X0005-00X |
|-----------------|
|-----------------|



| | | | | | | | |
|--|------------|--|--------------|-----------------|-----------------------------|------|-----------------|
| WIRES: 0.34mm ² (22AWG) WIRE COLOR: WH/BR/BK/BL/GR OD: APPROX.5.0MM FOR 2P/3P APPROX.5.5MM FOR 4P APPROX.6.0MM FOR 5P | -001:0.5M | FIXED: -40°C~+80°C FLXIBLE: -25°C~+80°C | GRAY | PUR (UL) | RPC-M12-MS-5CON-PUR-**SH △4 | 5 | T4161120005-00X |
| | -002:1.0M | | | | RPC-M12-MS-4CON-PUR-**SH △4 | 4 | T4161120004-00X |
| | -003:1.5M | | | | RPC-M12-MS-3CON-PUR-**SH △4 | 3 | T4161120003-00X |
| | -004:3.0M | FIXED: -10°C~+80°C FLXIBLE: -5°C~+80°C | BLACK | PVC (UL) | RPC-M12-MS-5CON-PVC-**SH △4 | 5 | T4161110005-00X |
| | -005:5.0M | | | | RPC-M12-MS-4CON-PVC-**SH △4 | 4 | T4161110004-00X |
| | -006:7.0M | | | | RPC-M12-MS-3CON-PVC-**SH △4 | 3 | T4161110003-00X |
| | -007:10.0M | | | | RPC-M12-MS-2CON-PVC-**SH △4 | 2 | T4161110002-00X |
| CABLE CHARACTERISTIC | LENGTH "L" | TEMPERATURE RANGE | JACKET COLOR | JACKET MATERIAL | TYPE | POS. | TE PN |

THIS DRAWING IS A CONTROLLED DOCUMENT.

| | | | | |
|--------------------------|---------------------|---|------------------------------|---------------|
| DWN HAO WANG 08JAN2016 | TE Connectivity | NAME M12X1 STRAIGHT PLUG, FREE END A-CODE, SHIELDED, | | |
| CHK KOBBY ZHAO 08JAN2016 | | | | |
| APVD XIANG XU 08JAN2016 | | | | |
| PRODUCT SPEC 108-106140 | | | | |
| MATERIAL | SIZE A2 | CAGE CODE | DRAWING NO. C-T41611X00XX00X | RESTRICTED TO |
| CUSTOMER DRAWING | | SCALE 2:1 | SHEET 1 OF 1 | REV A |

X-ON Electronics

Largest Supplier of Electrical and Electronic Components

Click to view similar products for [Sensor Cables / Actuator Cables](#) category:

Click to view products by [TE Connectivity](#) manufacturer:

Other Similar products are found below :

[60963](#) [60964](#) [703000D02F2002](#) [703001D02F0602](#) [703001D02F300](#) [704000D02F120](#) [773032K02F030](#) [802027107404-1](#) [802027213811-1](#)
[804001A09M150](#) [805001A09M0502](#) [84914-0235](#) [84914-0237](#) [885030A09M020](#) [1200651332](#) [1200651713](#) [1200660844](#) [1200660845](#)
[1200661173](#) [1200680071](#) [1200720053](#) [1200720081](#) [1200720099](#) [1200720217](#) [1200800231](#) [1200860125](#) [1200870123](#) [1200980102](#)
[1200650267](#) [1200650298](#) [1200660183](#) [1200660782](#) [1200660849](#) [1200661295](#) [1200661297](#) [1200661342](#) [1200661343](#) [1200670080](#)
[1200670220](#) [1200680331](#) [1200720252](#) [1200730184](#) [1200860344](#) [1200870359](#) [1200870643](#) [1200980008](#) [1200980031](#) [1210502211](#)
[1210400542](#) [1211810021](#)