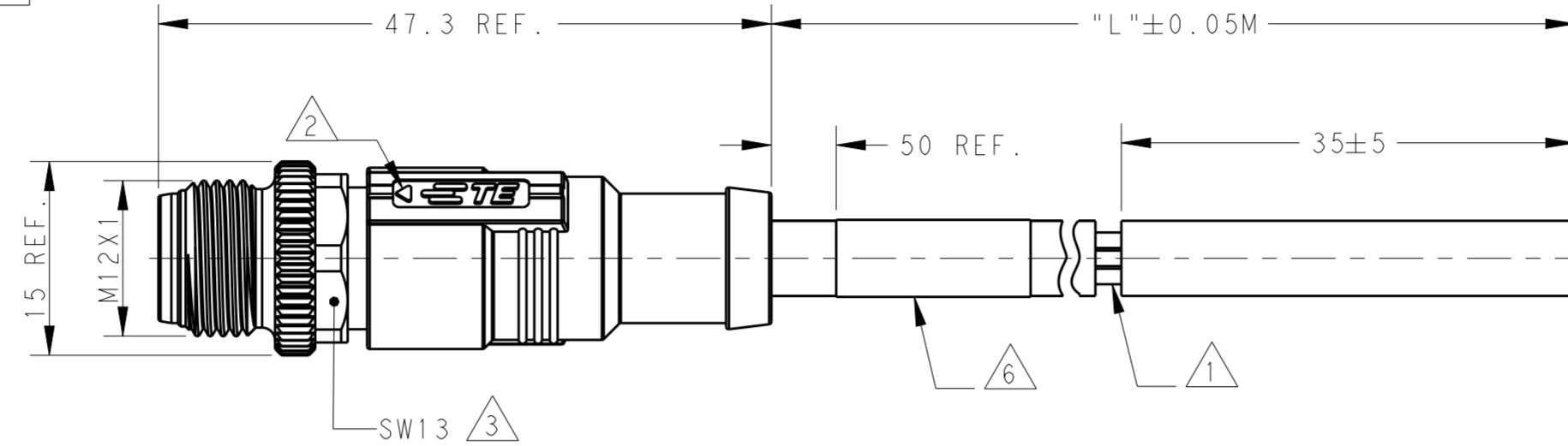
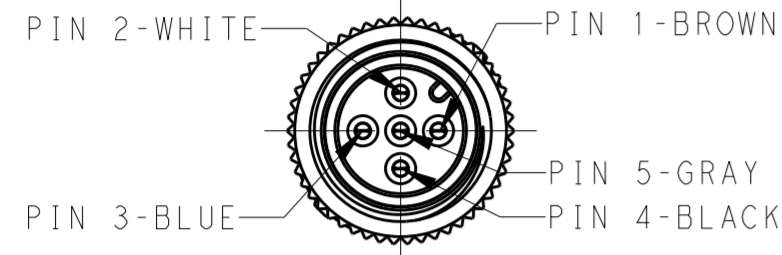


THIS DRAWING IS UNPUBLISHED. RELEASED FOR PUBLICATION 20  
 © COPYRIGHT 20 BY - ALL RIGHTS RESERVED.

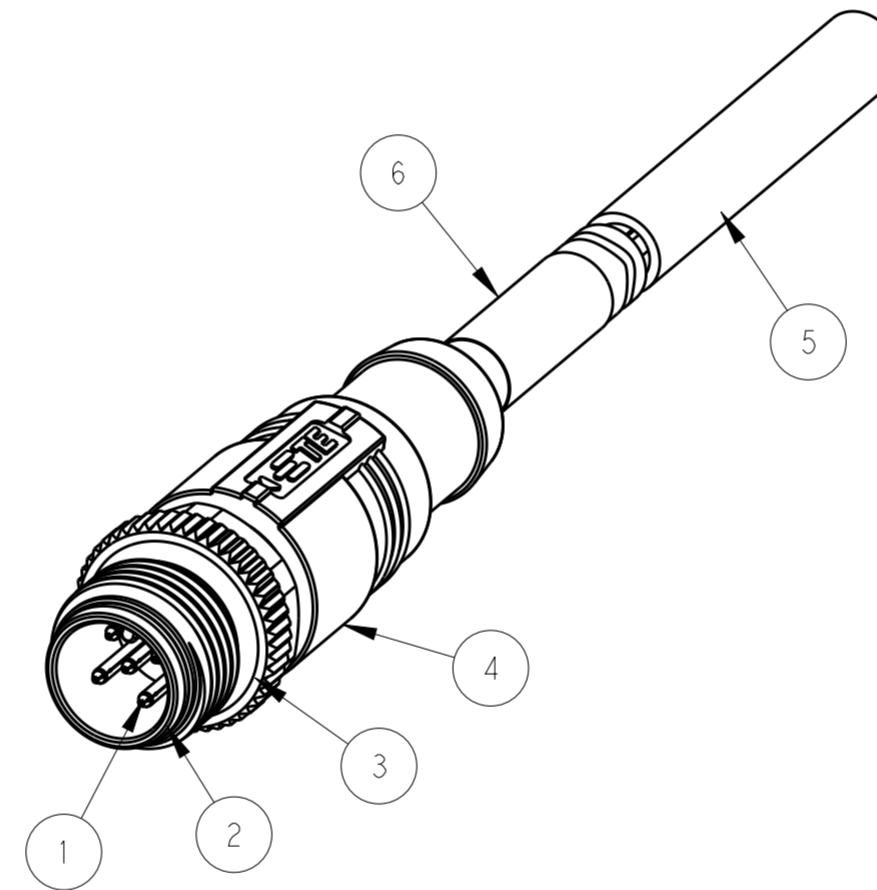
ITEM	DESCRIPTION	MATERIAL	OTHERS
1	MALE CONTACT	COPPER ALLOY	FLASH GOLD
2	HOUSING	NYLON	BLACK
3	COUPLING NUT	COPPER ALLOY	-
4	OVER-MOLDING	POLYURETHANE	BLUE
5	CABLE	-	-
6	LABEL	-	-

REVISIONS				
P	LTR	DESCRIPTION	DATE	APVD
	A	INITIAL RELEASE	08JAN2016	HW XX



NOTE:  
 △1. STRIP AND RETAIN THE INSULATION  
 △2. CODE POSITION INDICATOR  
 △3. RECOMMENDED TORQUE 0.6 Nm  
 △4. -\*\* : CABLE LENGTH  
 -0.5:0.5M,  
 -1.0:1.0M,  
 -1.5:1.5M,  
 -3.0:3.0M,  
 -5.0:5.0M,  
 -7.0:7.0M,  
 -10.0:10.0M,  
 5. CABLE ASSEMBLY TO BE PACKAGED IN POLYBAGS  
 △6. LABEL CONTAINS: PN, DATE CODE...

TECHNICAL DATA	T41611X0002-00X	T41611X0003-00X	T41611X0004-00X	T41611X0005-00X
RATED VOLTAGE	250V		60V	
RATED IMPULSE VOLTAGE	2500V		1500V	
RATED CURRENT	4A			
POLLUTION DEGREE	3			
OVERVOLTAGE CATEGORY	II			
MATERIAL GROUP	II			
DEGREE OF PROTECTION	IP67			



注释:  
 △1. 剥线并保留护套绝缘层  
 △2. CODE位置指示  
 △3. 推荐扭矩0.6 Nm  
 △4. -\*\* : 线缆长度  
 -0.5:0.5M,  
 -1.0:1.0M,  
 -1.5:1.5M,  
 -3.0:3.0M,  
 -5.0:5.0M,  
 -7.0:7.0M,  
 -10.0:10.0M,  
 5. 线缆组件塑料袋包装  
 △6. 标签包含: 产品编号, 日期代码...

PIN ARRANGEMENT A-CODE

T41611X0002-00X	T41611X0003-00X	T41611X0004-00X
T41611X0005-00X		

CABLE CHARACTERISTIC	LENGTH "L"	TEMPERATURE RANGE	JACKET COLOR	JACKET MATERIAL	TYPE	POS.	TE PN
WIRES: 0.34mm <sup>2</sup> (22AWG) WIRE COLOR: WH/BR/BK/BL/GR OD: APPROX.5.0MM FOR 2P/3P APPROX.5.5MM FOR 4P APPROX.6.0MM FOR 5P	-001:0.5M -002:1.0M -003:1.5M -004:3.0M -005:5.0M -006:7.0M -007:10.0M	FIXED: -40°C~+80°C  FLXIBLE: -25°C~+80°C	GRAY	PUR (UL)	RPC-M12-MS-5CON-PUR-**SH △4	5	T4161120005-00X
					RPC-M12-MS-4CON-PUR-**SH △4	4	T4161120004-00X
					RPC-M12-MS-3CON-PUR-**SH △4	3	T4161120003-00X
					RPC-M12-MS-2CON-PUR-**SH △4	2	T4161120002-00X
					RPC-M12-MS-5CON-PVC-**SH △4	5	T4161110005-00X
					RPC-M12-MS-4CON-PVC-**SH △4	4	T4161110004-00X
					RPC-M12-MS-3CON-PVC-**SH △4	3	T4161110003-00X
	FIXED: -10°C~+80°C  FLXIBLE: -5°C~+80°C	BLACK	PVC (UL)	RPC-M12-MS-5CON-PVC-**SH △4	5	T4161110005-00X	
				RPC-M12-MS-4CON-PVC-**SH △4	4	T4161110004-00X	
				RPC-M12-MS-3CON-PVC-**SH △4	3	T4161110003-00X	
				RPC-M12-MS-2CON-PVC-**SH △4	2	T4161110002-00X	

THIS DRAWING IS A CONTROLLED DOCUMENT.

DWN: HAO WANG 08JAN2016	TE Connectivity
CHK: KOBBY ZHAO 08JAN2016	
APVD: XIANG XU 08JAN2016	
PRODUCT SPEC: 108-106140	
MATERIAL: -	NAME: M12X1 STRAIGHT PLUG, FREE END A-CODE, SHIELDED,
TOLERANCES UNLESS OTHERWISE SPECIFIED:	SIZE: A2
0 PLC ±	CAGE CODE: -
1 PLC ±	DRAWING NO: C-T41611X00XX00X
2 PLC ±	RESTRICTED TO: -
3 PLC ±	SCALE: 2:1
4 PLC ±	SHEET: 1 OF 1
ANGLES ±	REV: A
FINISH: -	CUSTOMER DRAWING

## X-ON Electronics

Largest Supplier of Electrical and Electronic Components

*Click to view similar products for [Sensor Cables / Actuator Cables](#) category:*

*Click to view products by [TE Connectivity](#) manufacturer:*

Other Similar products are found below :

[60963](#) [60964](#) [703000D02F2002](#) [703001D02F0602](#) [703001D02F300](#) [704000D02F120](#) [773032K02F030](#) [802027107404-1](#) [802027213811-1](#)  
[804001A09M150](#) [805001A09M0502](#) [84914-0235](#) [84914-0237](#) [885030A09M020](#) [1200651332](#) [1200651713](#) [1200660844](#) [1200660845](#)  
[1200661173](#) [1200680071](#) [1200720053](#) [1200720081](#) [1200720099](#) [1200720217](#) [1200800231](#) [1200860125](#) [1200870123](#) [1200980102](#)  
[1200650267](#) [1200650298](#) [1200660183](#) [1200660782](#) [1200660849](#) [1200661295](#) [1200661297](#) [1200661342](#) [1200661343](#) [1200670080](#)  
[1200670220](#) [1200680331](#) [1200720252](#) [1200730184](#) [1200860344](#) [1200870359](#) [1200870643](#) [1200980008](#) [1200980031](#) [1210502211](#)  
[1210400542](#) [1211810021](#)