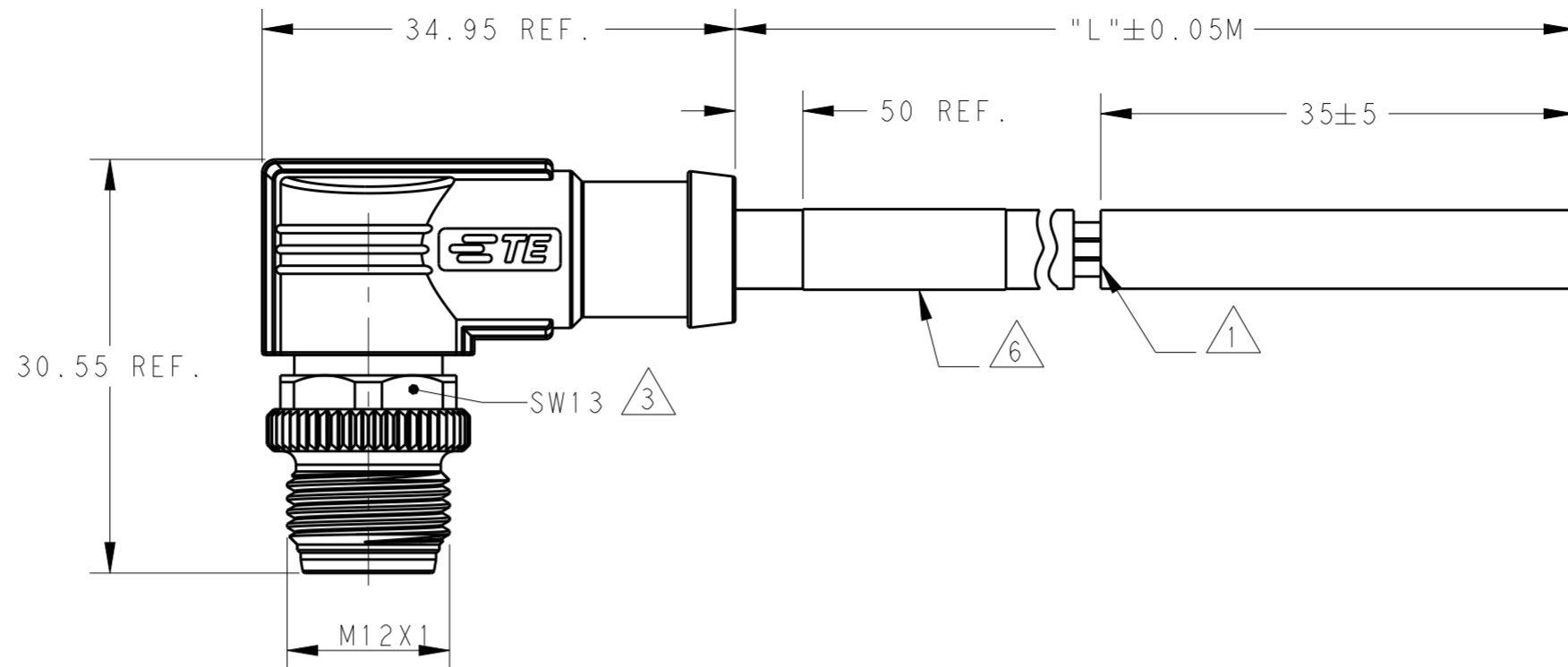
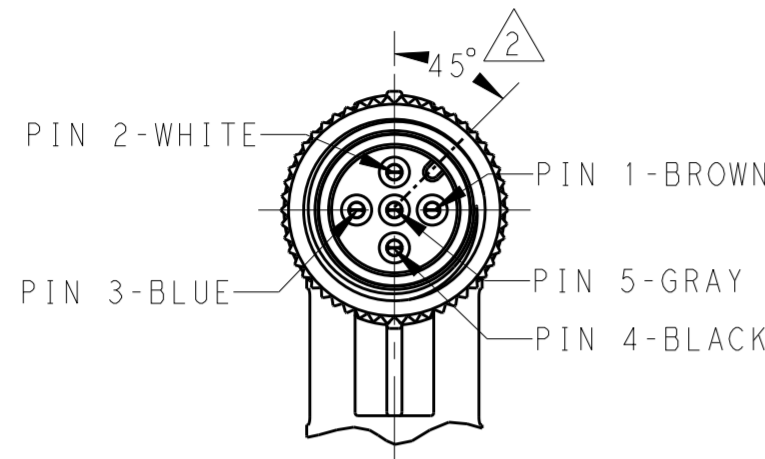


THIS DRAWING IS UNPUBLISHED. RELEASED FOR PUBLICATION 20
 © COPYRIGHT 20 BY - ALL RIGHTS RESERVED.

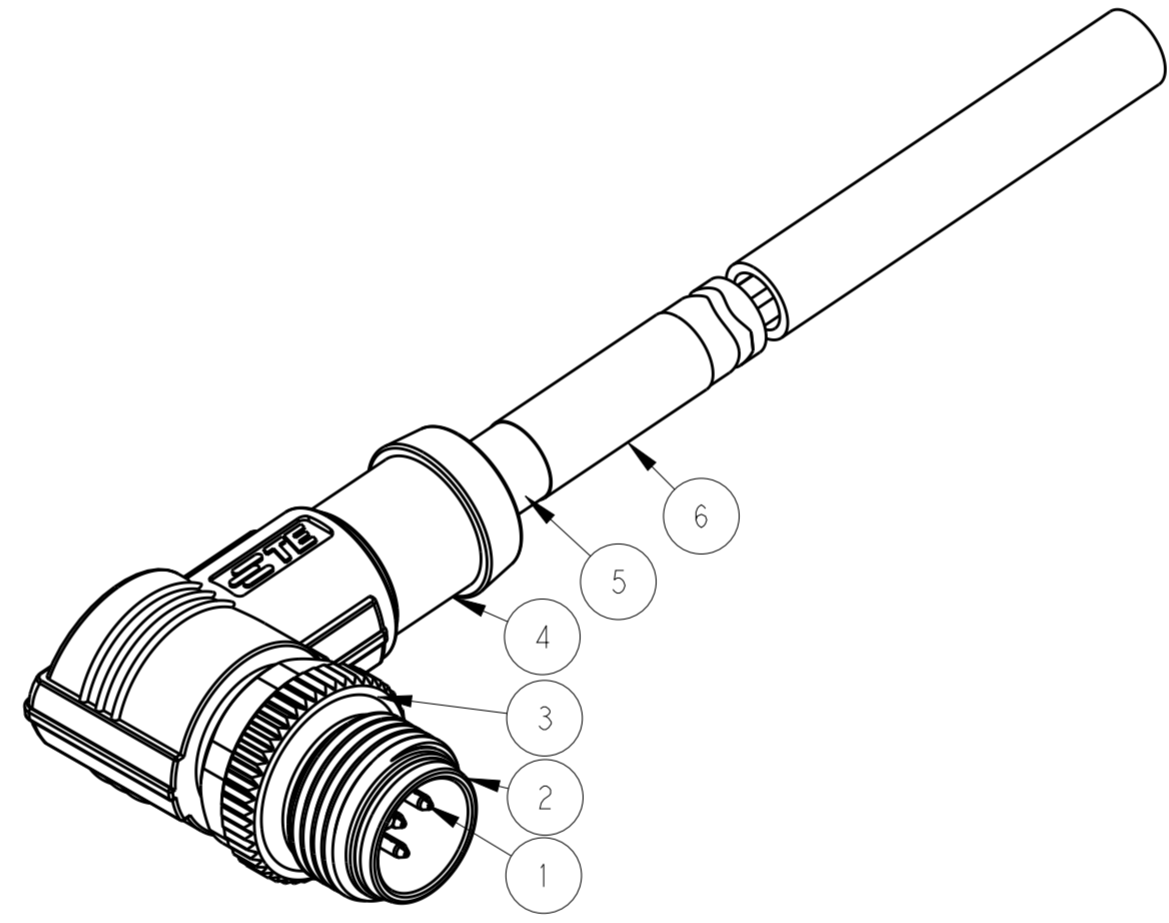
| ITEM | DESCRIPTION | MATERIAL | OTHERS |
|------|--------------|--------------|------------|
| 1 | MALE CONTACT | COPPER ALLOY | FLASH GOLD |
| 2 | HOUSING | NYLON | BLACK |
| 3 | COUPLING NUT | COPPER ALLOY | - |
| 4 | OVER-MOLDING | POLYURETHANE | BLUE |
| 5 | CABLE | - | - |
| 6 | LABEL | - | - |



| REVISIONS | | | | |
|-----------|-----|-----------------|-----------|-------|
| P | LTR | DESCRIPTION | DATE | APVD |
| | A | INITIAL RELEASE | 13APR2016 | HW XX |

NOTE:
 ①. STRIP AND RETAIN THE INSULATION
 ②. CODE POSITION
 ③. RECOMMENDED TORQUE 0.6 Nm
 ④. -*:CABLE LENGTH
 -0.5:0.5M,
 -1.0:1.0M,
 -1.5:1.5M,
 -3.0:3.0M,
 -5.0:5.0M,
 -7.0:7.0M,
 -10.0:10.0M,
 5. CABLE ASSEMBLY TO BE PACKAGED IN POLYBAGS
 ⑥. LABEL CONTAINS: PN, DATE CODE...

| TECHNICAL DATA | | | |
|-----------------------|-----------------|-----------------|-----------------|
| | T41612X0002-00X | T41612X0003-00X | T41612X0004-00X |
| RATED VOLTAGE | 250V | | 60V |
| RATED IMPULSE VOLTAGE | 2500V | | 1500V |
| RATED CURRENT | 4A | | |
| POLLUTION DEGREE | 3 | | |
| OVERVOLTAGE CATEGORY | II | | |
| MATERIAL GROUP | II | | |
| DEGREE OF PROTECTION | IP67 | | |



注释:
 ①. 剥线并保留护套绝缘层
 ②. CODE位置
 ③. 推荐扭矩0.6 Nm
 ④. -*:线缆长度
 -0.5:0.5M,
 -1.0:1.0M,
 -1.5:1.5M,
 -3.0:3.0M,
 -5.0:5.0M,
 -7.0:7.0M,
 -10.0:10.0M,
 5. 线缆组件塑料袋包装
 ⑥. 标签包含: 产品编号, 日期代码...

PIN ARRANGEMENT A-CODE

| T41612X0002-00X | T41612X0003-00X | T41612X0004-00X |
|-----------------|-----------------|-----------------|
| | | |
| T41612X0005-00X | | |
| | | |

| | | | | | | | |
|--|------------|--|--------------|----------------------------|----------------------------|-----------------|-----------------|
| WIRES: 0.34mm ² (22AWG) WIRE COLOR: WH/BR/BK/BL/GR OD: APPROX.5.0MM FOR 2P/3P APPROX.5.5MM FOR 4P APPROX.6.0MM FOR 5P | -001:0.5M | FIXED: -40°C~+80°C FLXIBLE: -25°C~+80°C | GRAY | PUR (UL) | RPC-M12-MR-5CON-PUR-**SH ④ | 5 | T4161220005-00X |
| | -002:1.0M | | | | RPC-M12-MR-4CON-PUR-**SH ④ | 4 | T4161220004-00X |
| | -003:1.5M | | | | RPC-M12-MR-3CON-PUR-**SH ④ | 3 | T4161220003-00X |
| | -004:3.0M | FIXED: -10°C~+80°C FLXIBLE: -5°C~+80°C | BLACK | PVC (UL) | RPC-M12-MR-2CON-PUR-**SH ④ | 2 | T4161220002-00X |
| | -005:5.0M | | | | RPC-M12-MR-5CON-PVC-**SH ④ | 5 | T4161210005-00X |
| | -006:7.0M | | | | RPC-M12-MR-4CON-PVC-**SH ④ | 4 | T4161210004-00X |
| | -007:10.0M | | | | RPC-M12-MR-3CON-PVC-**SH ④ | 3 | T4161210003-00X |
| | | | | RPC-M12-MR-2CON-PVC-**SH ④ | 2 | T4161210002-00X | |
| CABLE CHARACTERISTIC | LENGTH "L" | TEMPERATURE RANGE | JACKET COLOR | JACKET MATERIAL | TYPE | POS. | TE PN |

THIS DRAWING IS A CONTROLLED DOCUMENT.

| | | | |
|----------------|--|--------------------------|---|
| DIMENSIONS: mm | TOLERANCES UNLESS OTHERWISE SPECIFIED: | DWN HAO WANG 13APR2016 | TE Connectivity NAME M12X1 RIGHT ANGLE PLUG, FREE END A-CODE, SHIELDED, SIZE A2 CAGE CODE - DRAWING NO. C-T41612X00XX00X RESTRICTED TO - |
| | | CHK KOBBY ZHAO 13APR2016 | |
| | | APVD XIANG XU 13APR2016 | |
| | | PRODUCT SPEC 108-106140 | |
| MATERIAL | | APPLICATION SPEC - | SCALE 2:1 SHEET 1 OF 1 REV A |
| | | WEIGHT - | CUSTOMER DRAWING |

X-ON Electronics

Largest Supplier of Electrical and Electronic Components

Click to view similar products for [Sensor Cables / Actuator Cables](#) category:

Click to view products by [TE Connectivity](#) manufacturer:

Other Similar products are found below :

[60963](#) [60964](#) [703000D02F2002](#) [703001D02F0602](#) [703001D02F300](#) [704000D02F120](#) [773032K02F030](#) [802027107404-1](#) [802027213811-1](#)
[804001A09M150](#) [805001A09M0502](#) [84914-0235](#) [84914-0237](#) [885030A09M020](#) [1200651332](#) [1200651713](#) [1200660844](#) [1200660845](#)
[1200661173](#) [1200680071](#) [1200720053](#) [1200720081](#) [1200720099](#) [1200720217](#) [1200800231](#) [1200860125](#) [1200870123](#) [1200980102](#)
[1200650267](#) [1200650298](#) [1200660183](#) [1200660782](#) [1200660849](#) [1200661295](#) [1200661297](#) [1200661342](#) [1200661343](#) [1200670080](#)
[1200670220](#) [1200680331](#) [1200720252](#) [1200730184](#) [1200860344](#) [1200870359](#) [1200870643](#) [1200980008](#) [1200980031](#) [1210502211](#)
[1210400542](#) [1211810021](#)