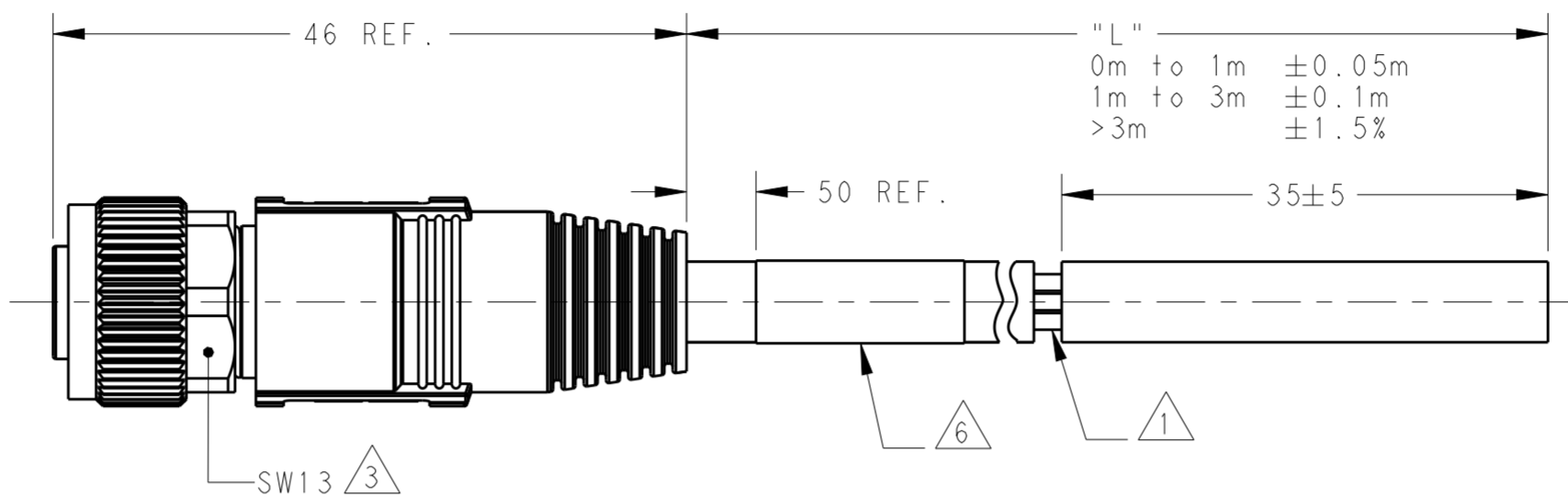
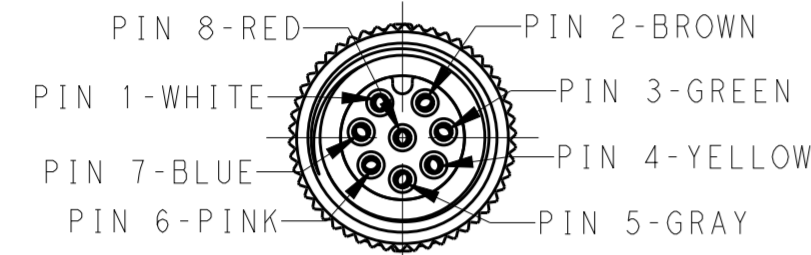


THIS DRAWING IS UNPUBLISHED. RELEASED FOR PUBLICATION 20
 © COPYRIGHT 20 BY - ALL RIGHTS RESERVED.

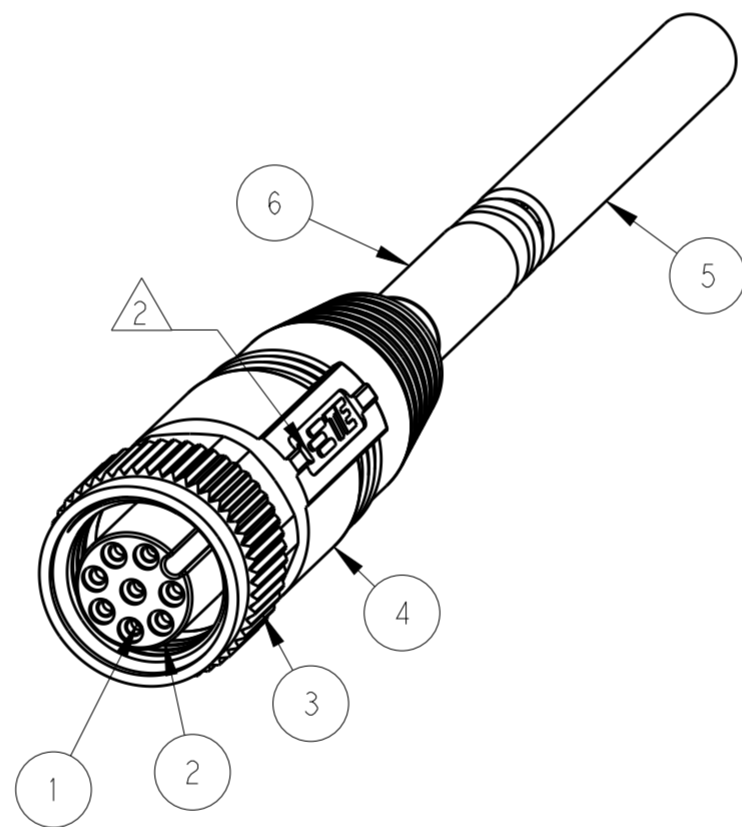
ITEM	DESCRIPTION	MATERIAL	OTHERS
1	FEMALE CONTACT	COPPER ALLOY	FLASH GOLD
2	HOUSING	NYLON	BLACK
3	COUPLING NUT	COPPER ALLOY	-
4	OVER-MOLDING	POLYURETHANE	BLUE
5	CABLE	-	-
6	LABEL	-	-

REVISIONS				
P	LTR	DESCRIPTION	DATE	APVD
	A	INITIAL RELEASE	05DEC2016	HW XX



NOTE:
 ①. STRIP AND RETAIN THE INSULATION
 ②. CODE POSITION INDICATOR
 ③. RECOMMENDED TORQUE 0.6 Nm
 ④. -** : CABLE LENGTH
 -0.5:0.5M,
 -1.0:1.0M,
 -1.5:1.5M,
 -3.0:3.0M,
 -5.0:5.0M,
 -7.0:7.0M,
 -10.0:10.0M,
 5. CABLE ASSEMBLY TO BE PACKAGED IN POLYBAGS
 ⑥. LABEL CONTAINS: PN, DATE CODE...

TECHNICAL DATA	T41613X0008-00X
RATED VOLTAGE	MAX. 30V AC/DC
RATED CURRENT	MAX. 2A
POLLUTION DEGREE	3
OVERVOLTAGE CATEGORY	II
MATERIAL GROUP	II
DEGREE OF PROTECTION	IP67



注释:
 ①. 剥线并保留护套绝缘层
 ②. CODE位置指示
 ③. 推荐扭矩0.6 Nm
 ④. -** : 线缆长度
 -0.5:0.5M,
 -1.0:1.0M,
 -1.5:1.5M,
 -3.0:3.0M,
 -5.0:5.0M,
 -7.0:7.0M,
 -10.0:10.0M,
 5. 线缆组件塑料袋包装
 ⑥. 标签包含: 产品编号, 日期代码...

WIRES: 0.25mm ² (24AWG) WIRE COLOR: WHITE/BROWN/GREEN/YELLOW/ GRAY/PINK/BLUE/RED OD: APPROX.6.0MM FOR 8P	STANDARD: -001:0.5M -002:1.0M -003:1.5M -004:3.0M -005:5.0M -006:7.0M -007:10.0M CUSTOMIZATION: -**0:**.0 M -**5:**.5 M	FIXED: -40°C~+80°C FLXIBLE: -25°C~+80°C	GRAY	PUR (UL)	RPC-M12-FS-8CON-PUR-**SH④	8	T4161320008-00X
		FIXED: -40°C~+80°C FLXIBLE: -25°C~+80°C	BLACK	PVC (UL)	RPC-M12-FS-8CON-PVC-**SH④	8	T4161310008-00X
CABLE CHARACTERISTIC	LENGTH "L"	CABLE TEMP. RANGE	JACKET COLOR	JACKET MATERIAL	TYPE	POS.	TE PN

THIS DRAWING IS A CONTROLLED DOCUMENT.

DWN: HAO WANG 24AUG2016	TE Connectivity
CHK: KOBBY ZHAO 24AUG2016	
APVD: XIANG XU 24AUG2016	
PRODUCT SPEC: 108-106140	
APPLICATION SPEC: 114-137144	NAME: M12X1 STRAIGHT RECEPTACLE, FREE END A-CODE, 8P SHIELDED,
WEIGHT: -	SIZE: A2
CUSTOMER DRAWING	SCALE: 2:1 SHEET 1 OF 1 REV A

X-ON Electronics

Largest Supplier of Electrical and Electronic Components

Click to view similar products for [Sensor Cables / Actuator Cables](#) category:

Click to view products by [TE Connectivity](#) manufacturer:

Other Similar products are found below :

[60963](#) [60964](#) [703000D02F2002](#) [703001D02F0602](#) [703001D02F300](#) [704000D02F120](#) [773032K02F030](#) [802027107404-1](#) [802027213811-1](#)
[804001A09M150](#) [805001A09M0502](#) [84914-0235](#) [84914-0237](#) [885030A09M020](#) [1200651332](#) [1200651713](#) [1200660844](#) [1200660845](#)
[1200661173](#) [1200680071](#) [1200720053](#) [1200720081](#) [1200720099](#) [1200720217](#) [1200800231](#) [1200860125](#) [1200870123](#) [1200980102](#)
[1200650267](#) [1200650298](#) [1200660183](#) [1200660782](#) [1200660849](#) [1200661295](#) [1200661297](#) [1200661342](#) [1200661343](#) [1200670080](#)
[1200670220](#) [1200680331](#) [1200720252](#) [1200730184](#) [1200860344](#) [1200870359](#) [1200870643](#) [1200980008](#) [1200980031](#) [1210502211](#)
[1210400542](#) [1211810021](#)