

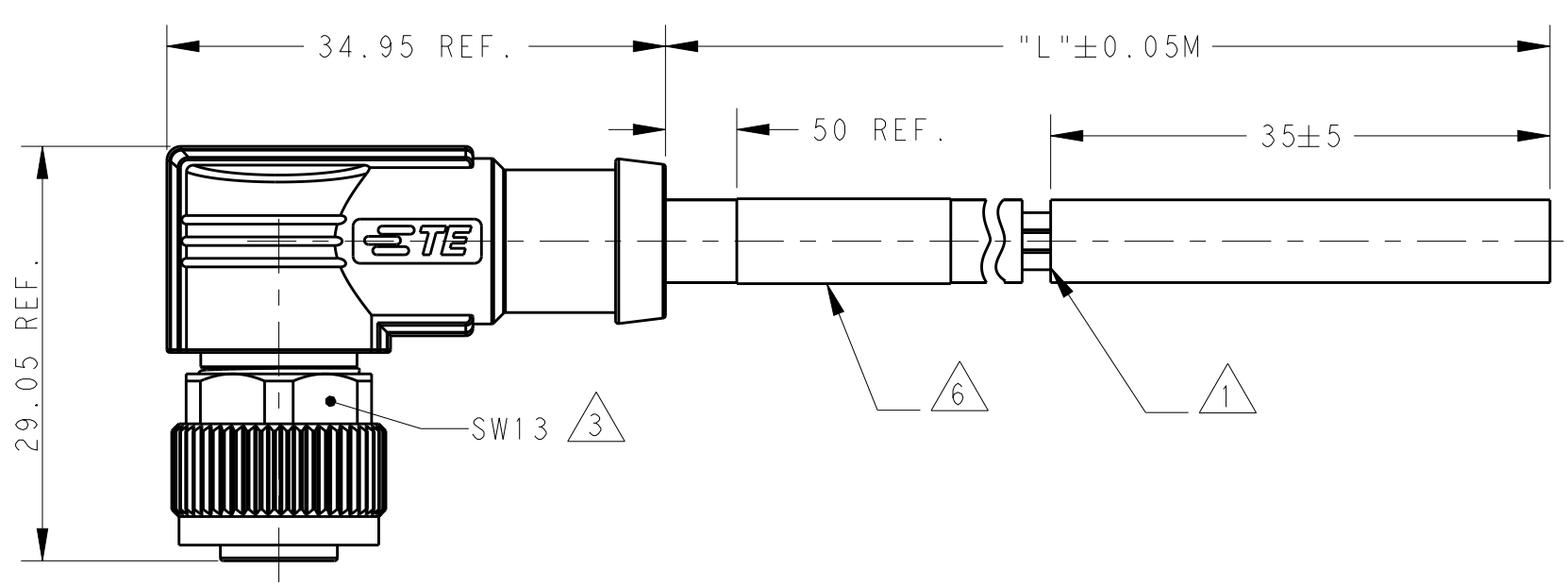
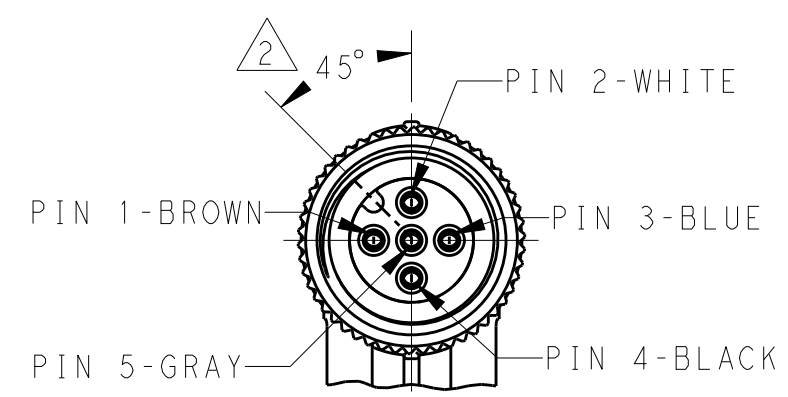
THIS DRAWING IS UNPUBLISHED. RELEASED FOR PUBLICATION 20
 © COPYRIGHT 20 BY - ALL RIGHTS RESERVED.

ITEM	DESCRIPTION	MATERIAL	OTHERS
1	FEMALE CONTACT	COPPER ALLOY	FLASH GOLD
2	HOUSING	NYLON	BLACK
3	COUPLING NUT	COPPER ALLOY	-
4	OVER-MOLDING	POLYURETHANE	BLUE
5	CABLE	-	-
6	LABEL	-	-

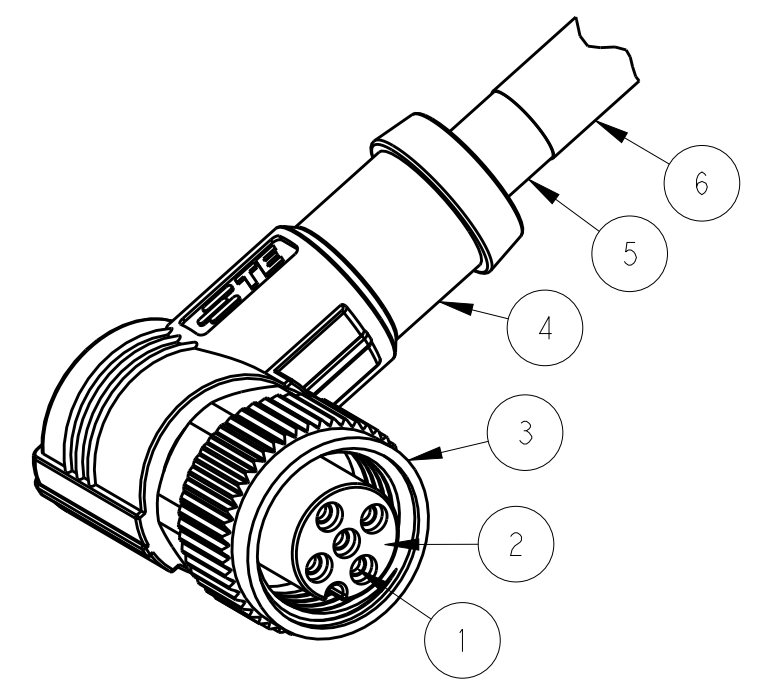
REVISIONS				
P	LTR	DESCRIPTION	DATE	APVD
	A	INITIAL RELEASE	13APR2016	HW XX

NOTE:
 △. STRIP AND RETAIN THE INSULATION
 △. CODE POSITION
 △. RECOMMENDED TORQUE 0.6 Nm
 △. -** : CABLE LENGTH
 -0.5:0.5M,
 -1.0:1.0M,
 -1.5:1.5M,
 -3.0:3.0M,
 -5.0:5.0M,
 -7.0:7.0M,
 -10.0:10.0M,
 5. CABLE ASSEMBLY TO BE PACKAGED IN POLYBAGS
 △. LABEL CONTAINS: PN, DATE CODE...

注释:
 △. 剥线并保留护套绝缘层
 △. CODE位置
 △. 推荐扭矩0.6 Nm
 △. -** : 线缆长度
 -0.5:0.5M,
 -1.0:1.0M,
 -1.5:1.5M,
 -3.0:3.0M,
 -5.0:5.0M,
 -7.0:7.0M,
 -10.0:10.0M,
 5. 线缆组件塑料袋包装
 △. 标签包含: 产品编号, 日期代码...



TECHNICAL DATA	T41614X0002-00X	T41614X0003-00X	T41614X0004-00X	T41614X0005-00X
RATED VOLTAGE		250V		60V
RATED IMPULSE VOLTAGE		2500V		1500V
RATED CURRENT		4A		
POLLUTION DEGREE		3		
OVERVOLTAGE CATEGORY		II		
MATERIAL GROUP		II		
DEGREE OF PROTECTION		IP67		



PIN ARRANGEMENT A-CODE		
T41614X0002-00X	T41614X0003-00X	T41614X0004-00X
T41614X0005-00X		

WIRES: 0.34mm ² (22AWG) WIRE COLOR: WH/BR/BK/BL/GR OD: APPROX.4.5MM FOR 2P/3P APPROX.5.0MM FOR 4P/5P	-001:0.5M -002:1.0M -003:1.5M -004:3.0M -005:5.0M -006:7.0M -007:10.0M	FIXED: -40°C~+80°C	GRAY	PUR (UL)	RPC-M12-FR-5CON-PUR-**SH△	5	T4161420005-00X
		FLXIBLE: -25°C~+80°C			RPC-M12-FR-4CON-PUR-**SH△	4	T4161420004-00X
					RPC-M12-FR-3CON-PUR-**SH△	3	T4161420003-00X
	FIXED: -10°C~+80°C FLXIBLE: -5°C~+80°C		BLACK	PVC (UL)	RPC-M12-FR-5CON-PVC-**SH△	5	T4161410005-00X
					RPC-M12-FR-4CON-PVC-**SH△	4	T4161410004-00X
					RPC-M12-FR-3CON-PVC-**SH△	3	T4161410003-00X
					RPC-M12-FR-2CON-PVC-**SH△	2	T4161410002-00X
CABLE CHARACTERISTIC	LENGTH "L"	TEMPERATURE RANGE	JACKET COLOR	JACKET MATERIAL	TYPE	POS.	TE PN

THIS DRAWING IS A CONTROLLED DOCUMENT.

DWN: HAO WANG 13APR2016	TE Connectivity
CHK: KOBBY ZHAO 13APR2016	
APVD: XIANG XU 13APR2016	
PRODUCT SPEC: 108-106140	
MATERIAL: -	NAME: M12X1 RA RECEPTACLE, FREE END A-CODE, SHIELDED,
DIMENSIONS: mm	SIZE: A2
TOLERANCES UNLESS OTHERWISE SPECIFIED:	CAGE CODE: -
0 PLC ±	DRAWING NO: C-T41614X00XX00X
1 PLC ±	RESTRICTED TO: -
2 PLC ±	SCALE: 2:1
3 PLC ±	SHEET: 1 OF 1
4 PLC ±	REV: A
ANGLES ±	
FINISH: -	
MATERIAL: -	
CUSTOMER DRAWING	

X-ON Electronics

Largest Supplier of Electrical and Electronic Components

Click to view similar products for [Sensor Cables / Actuator Cables](#) category:

Click to view products by [TE Connectivity](#) manufacturer:

Other Similar products are found below :

[60963](#) [60964](#) [703000D02F2002](#) [703001D02F0602](#) [703001D02F300](#) [704000D02F120](#) [773032K02F030](#) [802027107404-1](#) [802027213811-1](#)
[804001A09M150](#) [805001A09M0502](#) [84914-0235](#) [84914-0237](#) [885030A09M020](#) [1200651332](#) [1200651713](#) [1200660844](#) [1200660845](#)
[1200661173](#) [1200680071](#) [1200720053](#) [1200720081](#) [1200720099](#) [1200720217](#) [1200800231](#) [1200860125](#) [1200870123](#) [1200980102](#)
[1200650267](#) [1200650298](#) [1200660183](#) [1200660782](#) [1200660849](#) [1200661295](#) [1200661297](#) [1200661342](#) [1200661343](#) [1200670080](#)
[1200670220](#) [1200680331](#) [1200720252](#) [1200730184](#) [1200860344](#) [1200870359](#) [1200870643](#) [1200980008](#) [1200980031](#) [1210502211](#)
[1210400542](#) [1211810021](#)