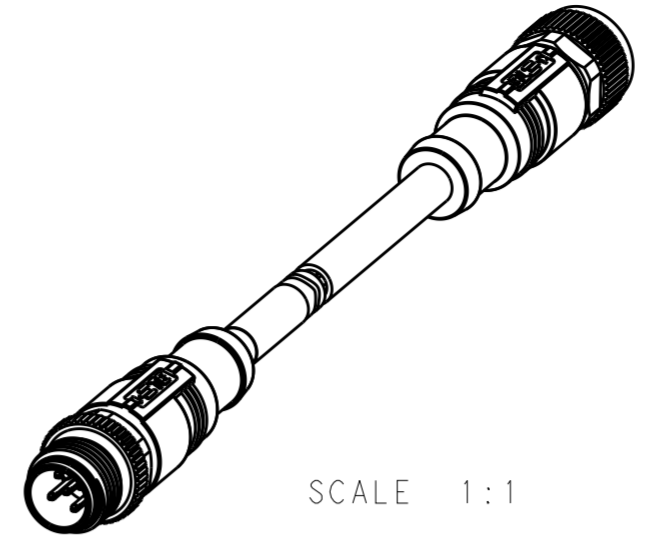


THIS DRAWING IS UNPUBLISHED. RELEASED FOR PUBLICATION 20
 © COPYRIGHT 20 BY - ALL RIGHTS RESERVED.

ITEM	DESCRIPTION	MATERIAL	OTHERS
1	MALE CONTACT	COPPER ALLOY	FLASH GOLD
2	MALE HOUSING	NYLON	BLACK
3	MALE NUT	COPPER ALLOY	-
4	MALE SHEILDING	BARSS	-
5	OVER-MOLDING	POLYURETHANE	BLUE
6	LABLE	-	-
7	CABEL	-	-
8	FEMALE SHEILDING	COPPER ALLOY	-
9	FEMALE NUT	COPPER ALLOY	-
10	FEMALE HOUSING	NYLON	BLACK
11	FEMALE CONTACT	COPPER ALLOY	FLASH GOLD

REVISIONS				
P	LTR	DESCRIPTION	DATE	APVD
	A	INITIAL RELEASE	31OCT2016	G.W C.W



SCALE 1:1

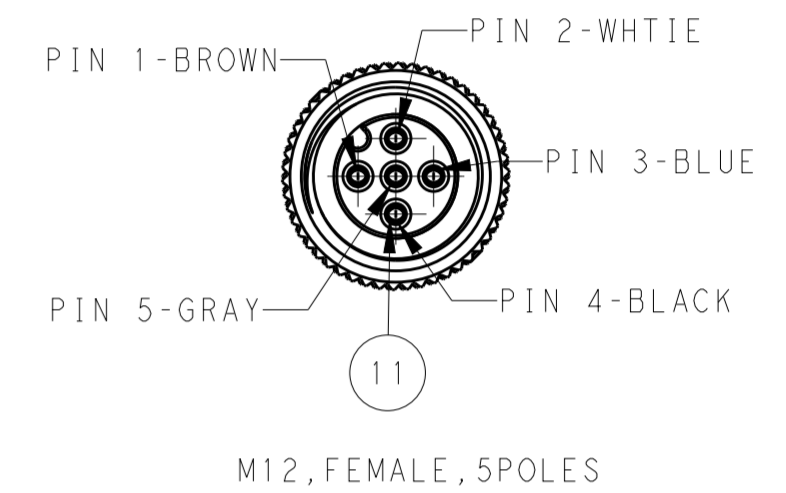
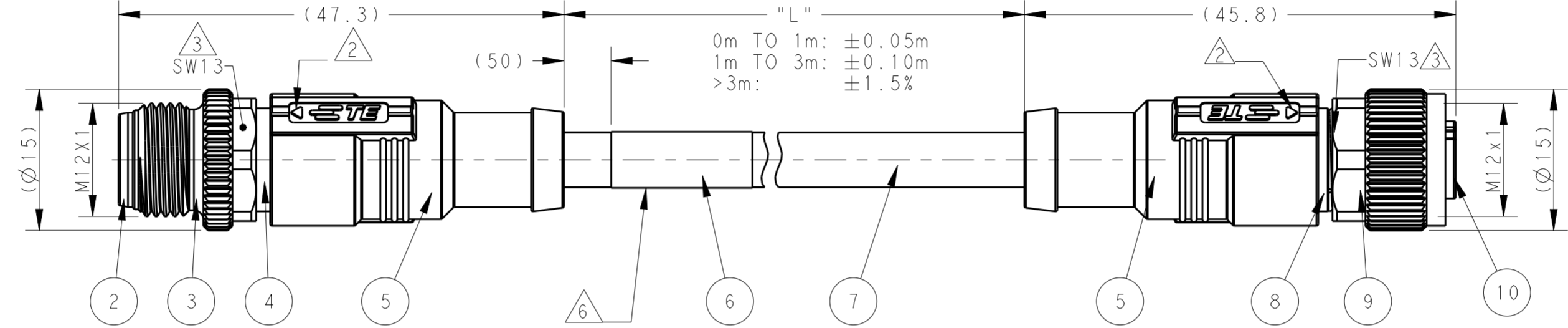
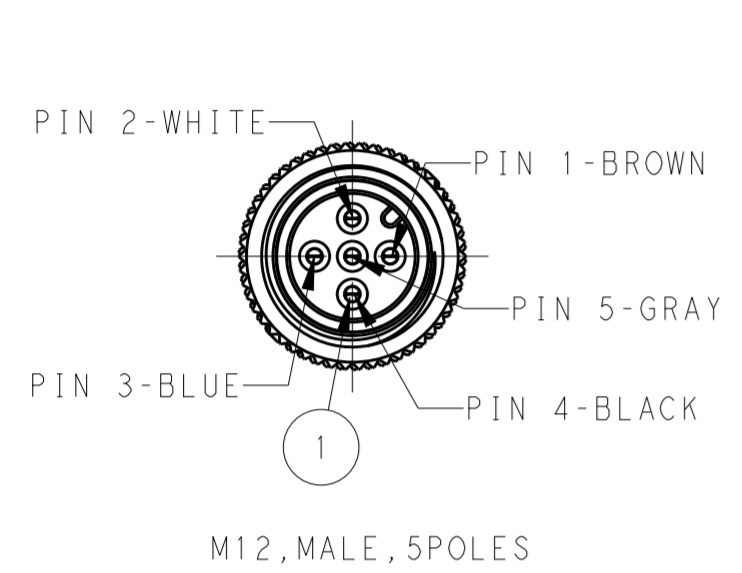
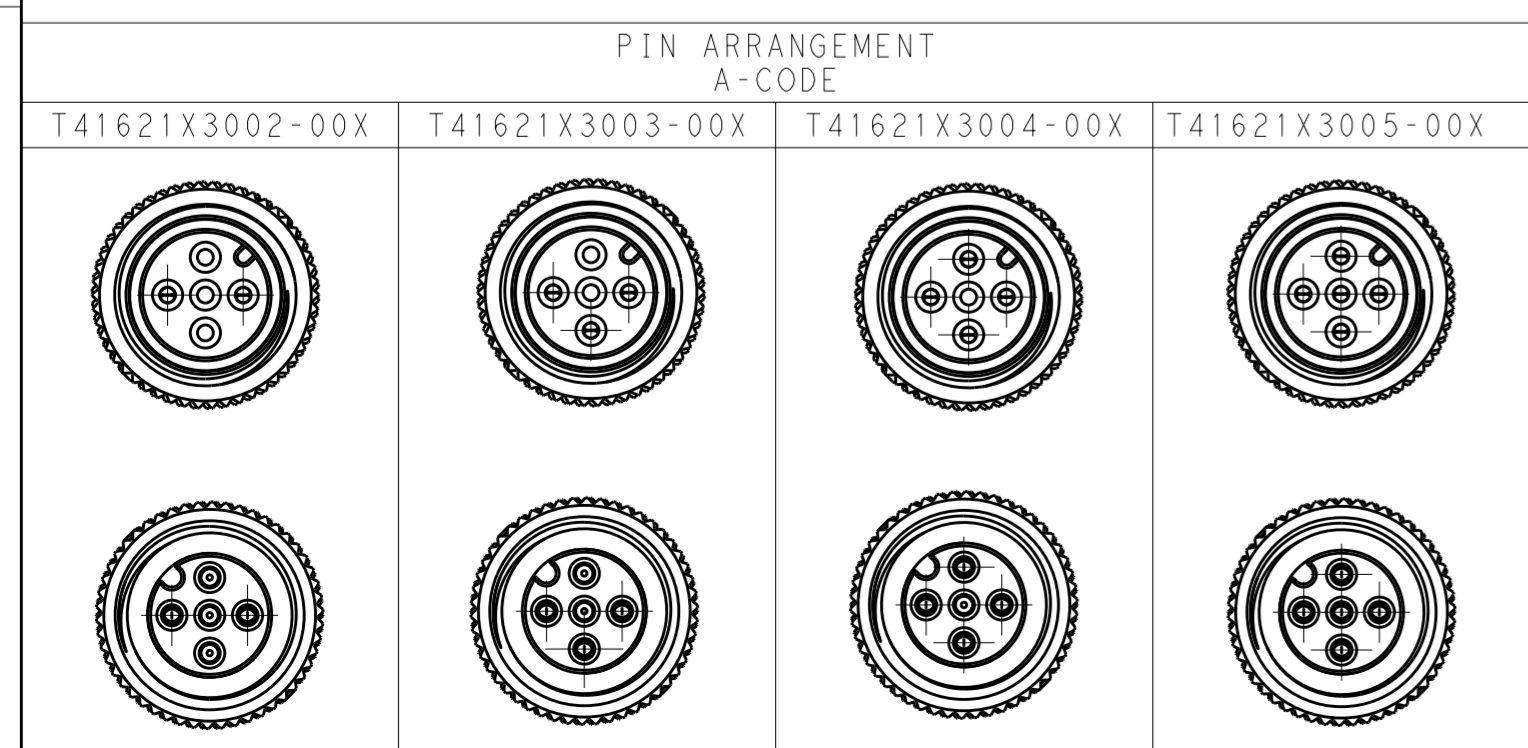


TABLE 1: TECHNICAL DATA	T41621X3002-00X	T41621X3003-00X	T41621X3004-00X	T41621X3005-00X
RATED VOLTAGE	250V		60V	
RATED IMPULSE VOLTAGE	2500V		1500V	
RATED CURRENT	4A			
POLLUTION DEGREE	3			
OVERVOLTAGE CATEGORY	II			
MATERIAL GROUP	II			
DEGREE OF PROTECTION	IP67			

NOTE:
 ①. TECHNICAL DATA: SEE TABLE 1
 ②. CODE POSITION INDICATOR
 ③. RECOMMENDED TORQUE 0.6 Nm
 ④. - **: CABLE LENGTH
 - 0.5: 0.5M,
 - 1.0: 1.0M,
 - 1.5: 1.5M,
 - 3.0: 3.0M,
 - 5.0: 5.0M,
 - 7.0: 7.0M,
 - 10.0: 10.0M,
 5. CABLE ASSEMBLY TO BE PACKAGED IN POLYBAGS
 ⑥. LABEL CONTAINS: PN, DATE CODE...
 ⑦. -00X: FOR CABLE LENGTH, SEE TABLE 2 AND REFER TO LENGTH "L"

注释:
 ①. 技术参数: 参考表1
 ②. CODE位置指示
 ③. 推荐扭矩0.6 Nm
 ④. - **: 线缆长度
 - 0.5: 0.5M,
 - 1.0: 1.0M,
 - 1.5: 1.5M,
 - 3.0: 3.0M,
 - 5.0: 5.0M,
 - 7.0: 7.0M,
 - 10.0: 10.0M,
 5. 线缆组件塑料袋包装
 ⑥. 标签包含: 产品编号, 日期代码...
 ⑦. -00X: 线缆长度, 参考表2, 参照长度"L"



CABLE CHARACTERISTIC	LENGTH "L"	TEMPERATURE RANGE	JACKET COLOR	JACKET MATERIAL	TYPE	POS.	TABLE 2
							TE PN
WIRES: 0.34mm ² (22AWG) WIRE COLOR: WH/BR/BK/BL/GR OD: APPROX.5.0MM FOR 2P/3P APPROX.5.5MM FOR 4P APPROX.6.0MM FOR 5P	STANDARD: -001: 0.5m -002: 1.0m -003: 1.5m -004: 3.0m -005: 5.0m -006: 7.0m -007: 10.0m CUSTOMIZATION: - **: 0.0m -001: **.5m	FIXED: -40°C~+80°C	GRAY	PUR (UL)	RPC-M12-5MS-**SH-M12-5FS-PUR④	5	T4162123005-00X⑦
					RPC-M12-4MS-**SH-M12-4FS-PUR④	4	T4162123004-00X⑦
					RPC-M12-3MS-**SH-M12-3FS-PUR④	3	T4162123003-00X⑦
		FIXED: -10°C~+80°C	BLACK	PVC (UL)	RPC-M12-5MS-**SH-M12-5FS-PVC④	5	T4162113005-00X⑦
					RPC-M12-4MS-**SH-M12-4FS-PVC④	4	T4162113004-00X⑦
					RPC-M12-3MS-**SH-M12-3FS-PVC④	3	T4162113003-00X⑦
	FLXIBLE: -25°C~+80°C	GRAY	PUR (UL)	RPC-M12-5MS-**SH-M12-5FS-PUR④	5	T4162123005-00X⑦	
				RPC-M12-4MS-**SH-M12-4FS-PUR④	4	T4162123004-00X⑦	
				RPC-M12-3MS-**SH-M12-3FS-PUR④	3	T4162123003-00X⑦	
	FLXIBLE: -5°C~+80°C	BLACK	PVC (UL)	RPC-M12-5MS-**SH-M12-5FS-PVC④	5	T4162113005-00X⑦	
				RPC-M12-4MS-**SH-M12-4FS-PVC④	4	T4162113004-00X⑦	
				RPC-M12-3MS-**SH-M12-3FS-PVC④	3	T4162113003-00X⑦	

THIS DRAWING IS A CONTROLLED DOCUMENT.

DIMENSIONS: mm	TOLERANCES UNLESS OTHERWISE SPECIFIED:	DWN 31OCT2016 Gavin Wang	TE Connectivity
		CHK 31OCT2016 Kevin Huang	
		APVD 31OCT2016 Chris Wang	
		PRODUCT SPEC 108-106140	
MATERIAL		APPLICATION SPEC	NAME M12X1 STRAIGHT PLUG TO FEMALE STRAIGHT, A-CODE, SHIELDED
		WEIGHT	SIZE A2
		CUSTOMER DRAWING	CAGE CODE -
			DRAWING NO G-T41621X300X00X
			RESTRICTED TO -
			SCALE 2:1
			SHEET 1 OF 1
			REV A

X-ON Electronics

Largest Supplier of Electrical and Electronic Components

Click to view similar products for [Sensor Cables / Actuator Cables](#) category:

Click to view products by [TE Connectivity](#) manufacturer:

Other Similar products are found below :

[60963](#) [60964](#) [703000D02F2002](#) [703000D02F300](#) [703001D02F0602](#) [703001D02F300](#) [704000D02F120](#) [773032K02F030](#) [802027107404-1](#)
[804001A09M150](#) [805001A09M0502](#) [84914-0235](#) [84914-0237](#) [885030A09M020](#) [1200651332](#) [1200651713](#) [1200660844](#) [1200660845](#)
[1200661173](#) [1200680071](#) [1200720053](#) [1200720081](#) [1200720099](#) [1200720217](#) [1200800231](#) [1200860125](#) [1200870123](#) [1200980102](#)
[1200650267](#) [1200650298](#) [1200660183](#) [1200660782](#) [1200660849](#) [1200661295](#) [1200661297](#) [1200661342](#) [1200661343](#) [1200670080](#)
[1200670220](#) [1200680331](#) [1200720252](#) [1200730184](#) [1200860344](#) [1200870359](#) [1200870643](#) [1200980008](#) [1200980031](#) [1210502211](#)
[1210400542](#) [1211810021](#)