

THIS DRAWING IS UNPUBLISHED. RELEASED FOR PUBLICATION 20
 © COPYRIGHT 20 BY - ALL RIGHTS RESERVED.

REVISIONS				
P	LTR	DESCRIPTION	DATE	APVD
A2		ECR-16-010931	02AUG2016	L.Z X.X
B		ECR-19-009136	31JUL2019	C.D C.W
B1		ECR-19-019842	23DEC2019	G.W C.W

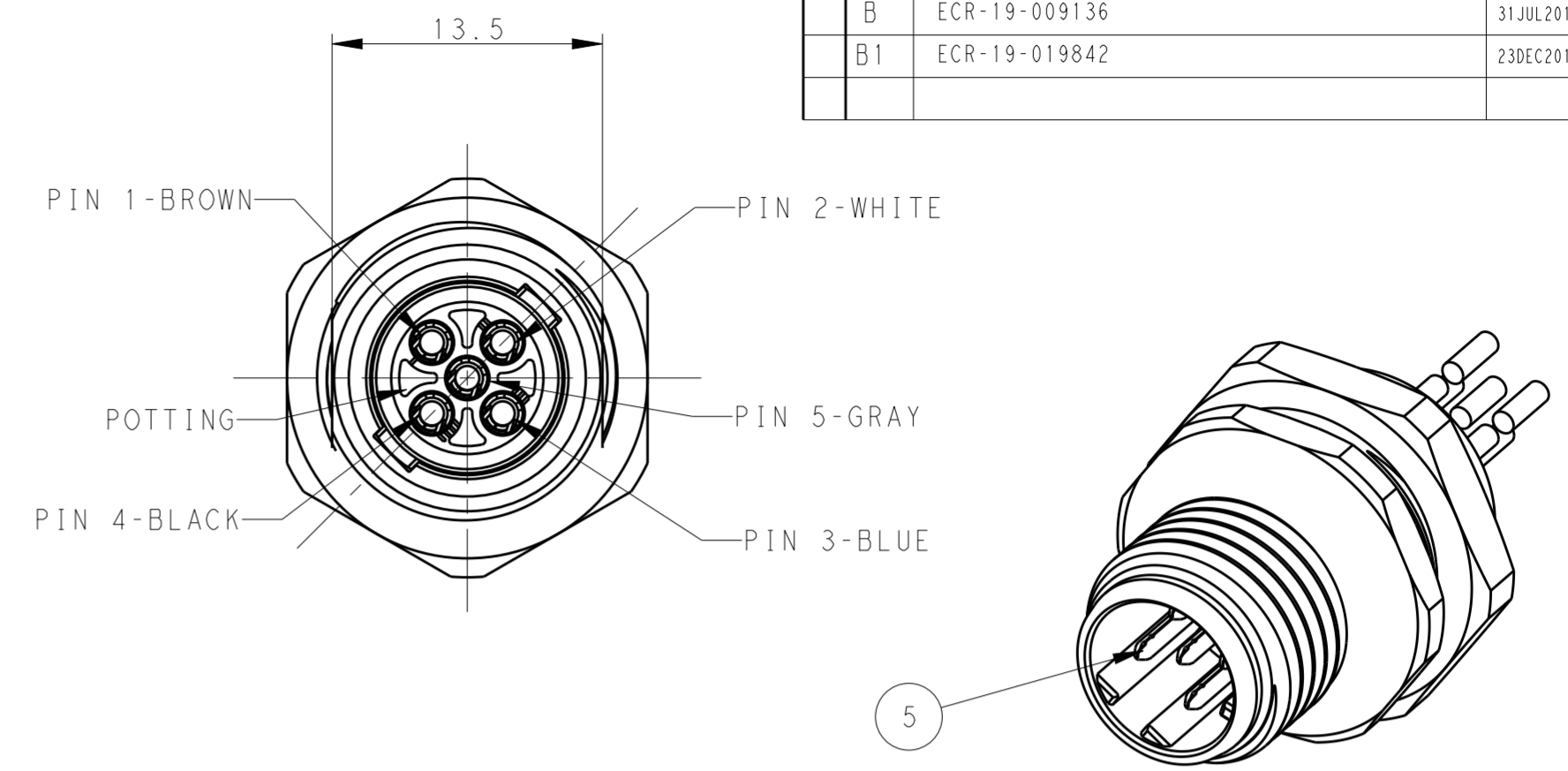
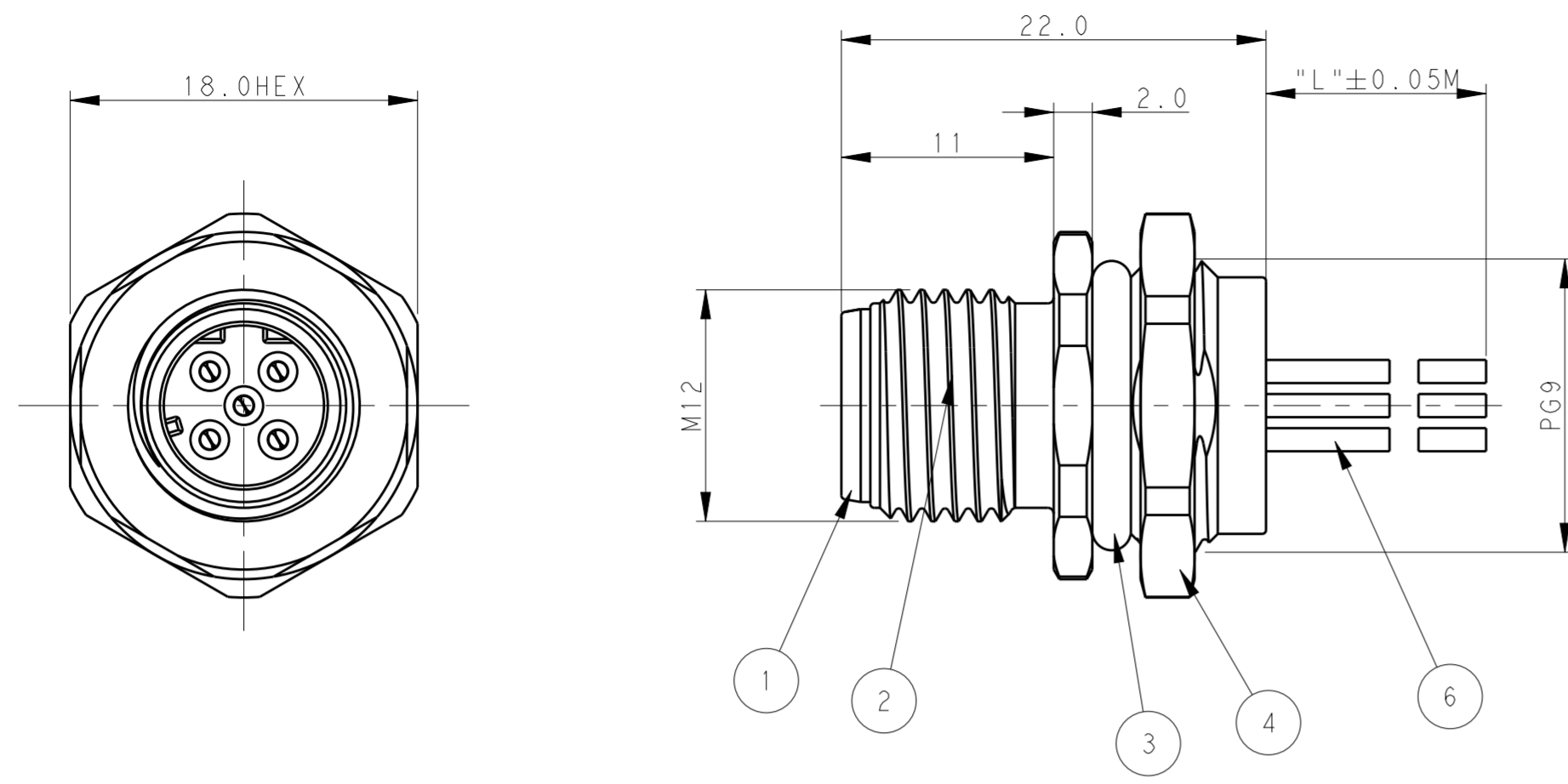


TABLE 1

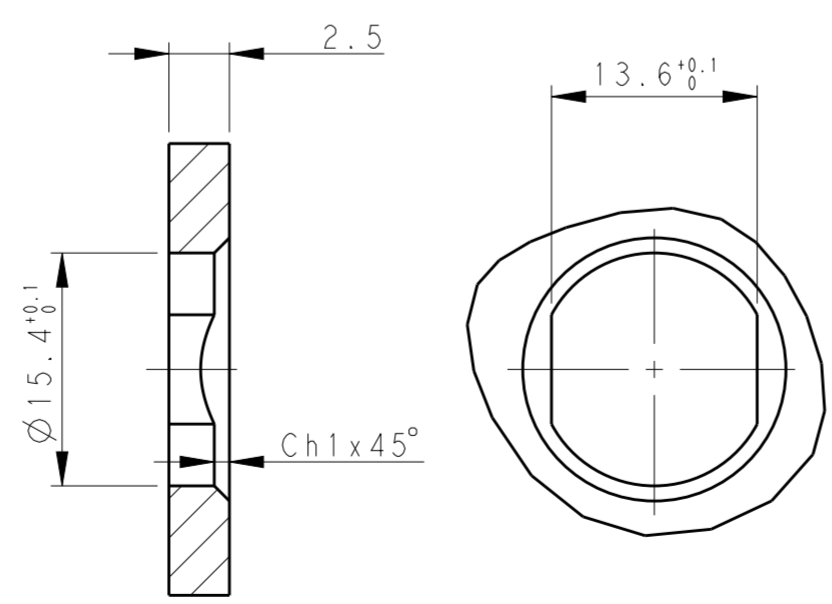
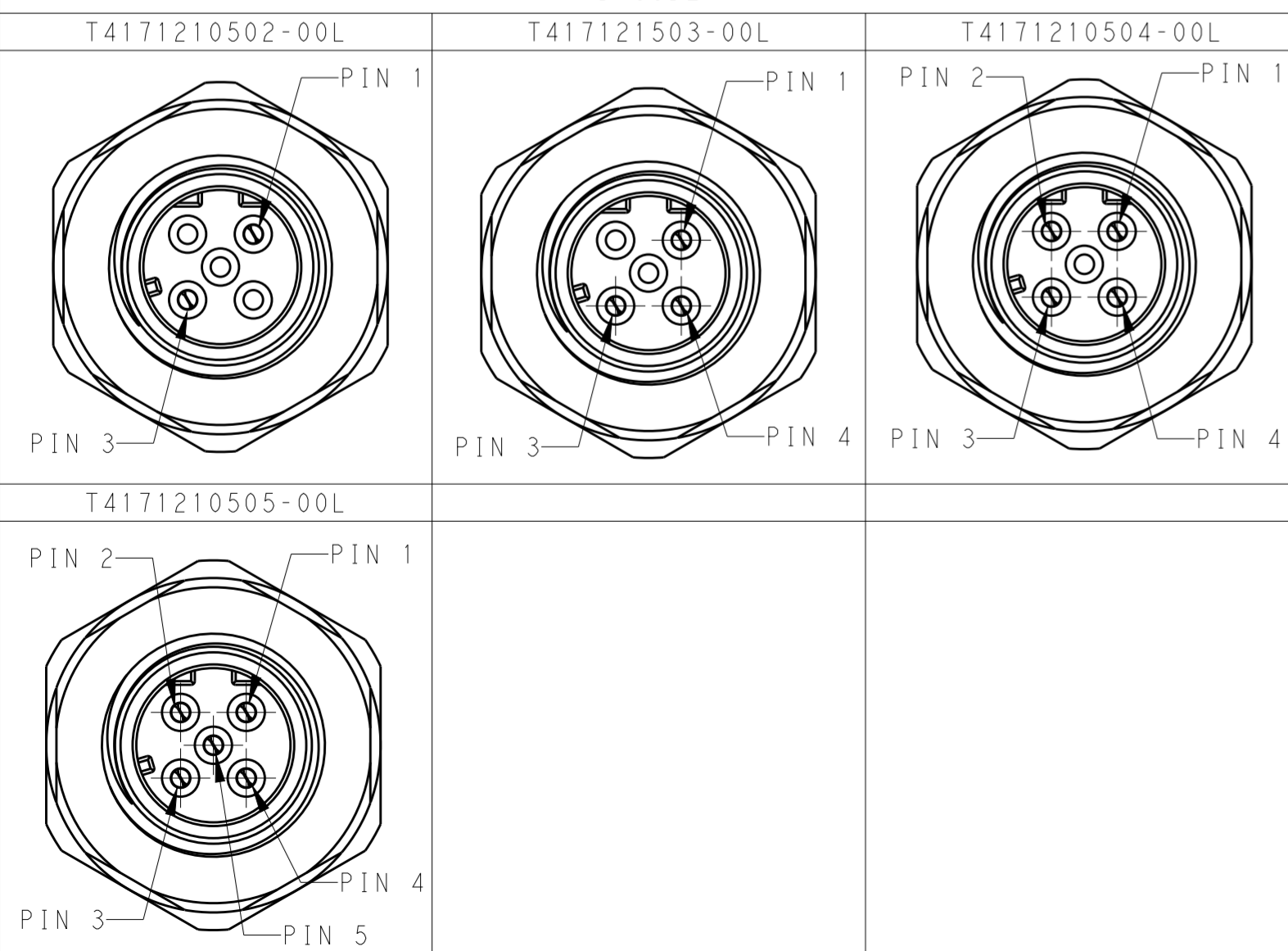
TECHNICAL DATA	T4171210502-00L	T4171210503-00L	T4171210504-00L	T4171210505-00L
RATED VOLTAGE	250V	250V	250V	60V
RATED CURRENT	4A	4A	4A	4A
POLLUTION DEGREE	3	3	3	3
OVERVOLTAGE CATEGORY	II	II	II	II
MATERIAL GROUP	II	II	II	II
CONTACT RESISTANCE	<=10mΩ	<=10mΩ	<=10mΩ	<=10mΩ
INSULATION RESISTANCE	>100MΩ	>100MΩ	>100MΩ	>100MΩ
DEGREE OF PROTECTION	IP67	IP67	IP67	IP67
OPERATION TEMPERATURE	-40~85°C	-40~85°C	-40~85°C	-40~85°C

NOTE:
 1. TECHNICAL DATA: SEE TABLE 1
 2. PRODUCT COMPLIES WITH IEC61076-2-101
 3. RECOMMENDED MOUNT PANEL SEE DETAIL
 4. CABLE LENGTH SEE TABLE 2

注释:
 1: 技术参数, 见表1
 2: 产品符合标准 IEC61076-2-101
 3: 推荐开孔尺寸详见如图所示
 4: 线长度见表2

CABLE CHARACTERISTIC	CABLE LENGTH "L"	DESCRIPTION	POS	TABLE 2 PN
WIRES: 0.34MM^2(22AWG) WIRE PN AND COLOR: 1(BR)/2(WH)/3(BL)/4(BK)/5(GR)	-001: 0.2M	RPC-M12D-MB-5CON-PG9-**LAU	5	T4171210505-00L
	-002: 0.5M	RPC-M12D-MB-4CON-PG9-**LAU	4	T4171210504-00L
	-003: 1.0M	RPC-M12D-MB-3CON-PG9-**LAU	3	T4171210503-00L
	-004: 1.5M	RPC-M12D-MB-3CON-PG9-**LAU	3	T4171210503-00L
	-005: 3.0M	RPC-M12D-MB-2CON-PG9-**LAU	2	T4171210502-00L
-006: 5.0M				
-007: 7.0M				
-008: 10.0M				

PIN ARRANGEMENT D-CODE



RECOMMENDED PANEL CUTOUT

COMMENT	MATERIAL	DESCRIPTION	ITEM
-	-	CABLE	6 2 3 4 5
FLASH GOLD	COPPER ALLOY	CONTACT	5 2 3 4 5
-	COPPER ALLOY	METAL NUT	4 1 1 1 1
BLACK	RUBBER	O-RING	3 1 1 1 1
-	COPPER ALLOY	M12, MALE, METAL BODY	2 1 1 1 1
BLACK	NYLON	M12, MALE HSG, D CODE, 5PINS	1 1 1 1 1

THIS DRAWING IS A CONTROLLED DOCUMENT. DWN BO GAO 01APR2016
 CHK KOBBY ZHAO 01APR2016
 APVD XIANG XU 01APR2016

STE TE Connectivity

NAME: M12 PANEL MOUNT CONNECTOR D CODE, FEMALE, FRONT MOUNTING

PRODUCT SPEC: 108-106140
 APPLICATION SPEC: 114-137144

SIZE: A2 CAGE CODE: - DRAWING NO: G-T417121050X00L RESTRICTED TO: -
 WEIGHT: - SCALE: 2:1 SHEET 1 OF 1 REV: B1

CUSTOMER DRAWING

X-ON Electronics

Largest Supplier of Electrical and Electronic Components

Click to view similar products for [Circular Metric Connectors](#) category:

Click to view products by [TE Connectivity](#) manufacturer:

Other Similar products are found below :

[600X518037X](#) [6STD15PCR99B70A](#) [8R4000A16M020](#) [8R5000A16M005](#) [1200910002](#) [1203580030](#) [1200910008](#) [1200910011](#) [1300140094](#)
[130203-0054](#) [1300140026](#) [1300150099](#) [RF-12S1N8A90DU](#) [1-3637-600-5205](#) [1612618](#) [21036836414](#) [8R4006A16M010](#) [8R5006A18A120](#)
[1604232](#) [1R3006A20M005](#) [RF-12P1N8A80DU](#) [RF-12P1N8A90DU](#) [41-40011](#) [42-01015](#) [4-22279-4](#) [4-22281-1](#) [4-22284-9](#) [43-00113](#) [43-](#)
[01088](#) [43-01203](#) [41-40013](#) [42-00008](#) [43-00343](#) [43-01032](#) [43-01162](#) [43-10000](#) [600X518050X](#) [SACC-DSI-FS-5P-PG9-L180 SC](#)
[8R5006A16M020](#) [8R5006A16M005](#) [8R4000A16M010](#) [6-22279-3](#) [1605332](#) [N03FA03144](#) [1300140077](#) [43-01338](#) [XS2RD4265](#) [RSC 4/9](#)
[XS2R-D426-1](#) [XS8A-0441](#)