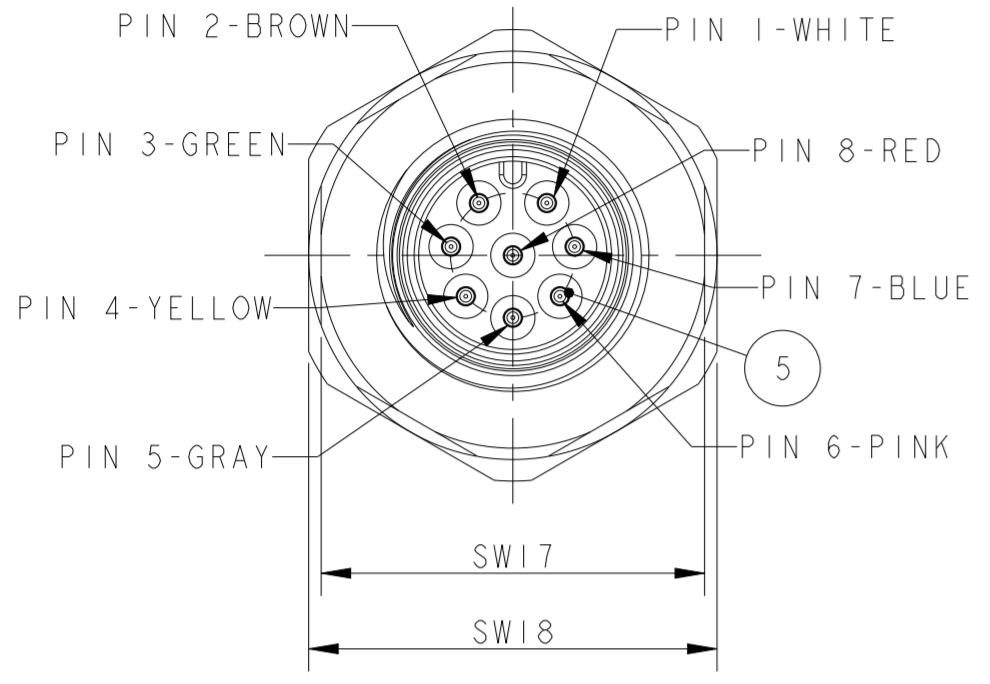
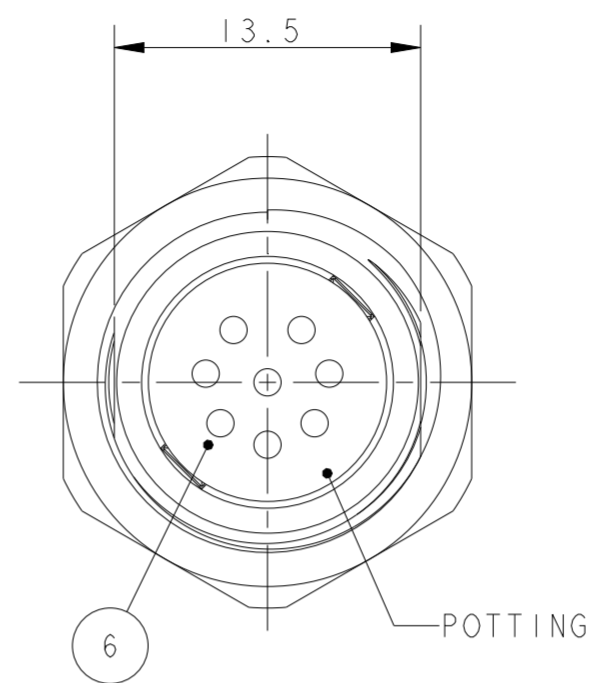
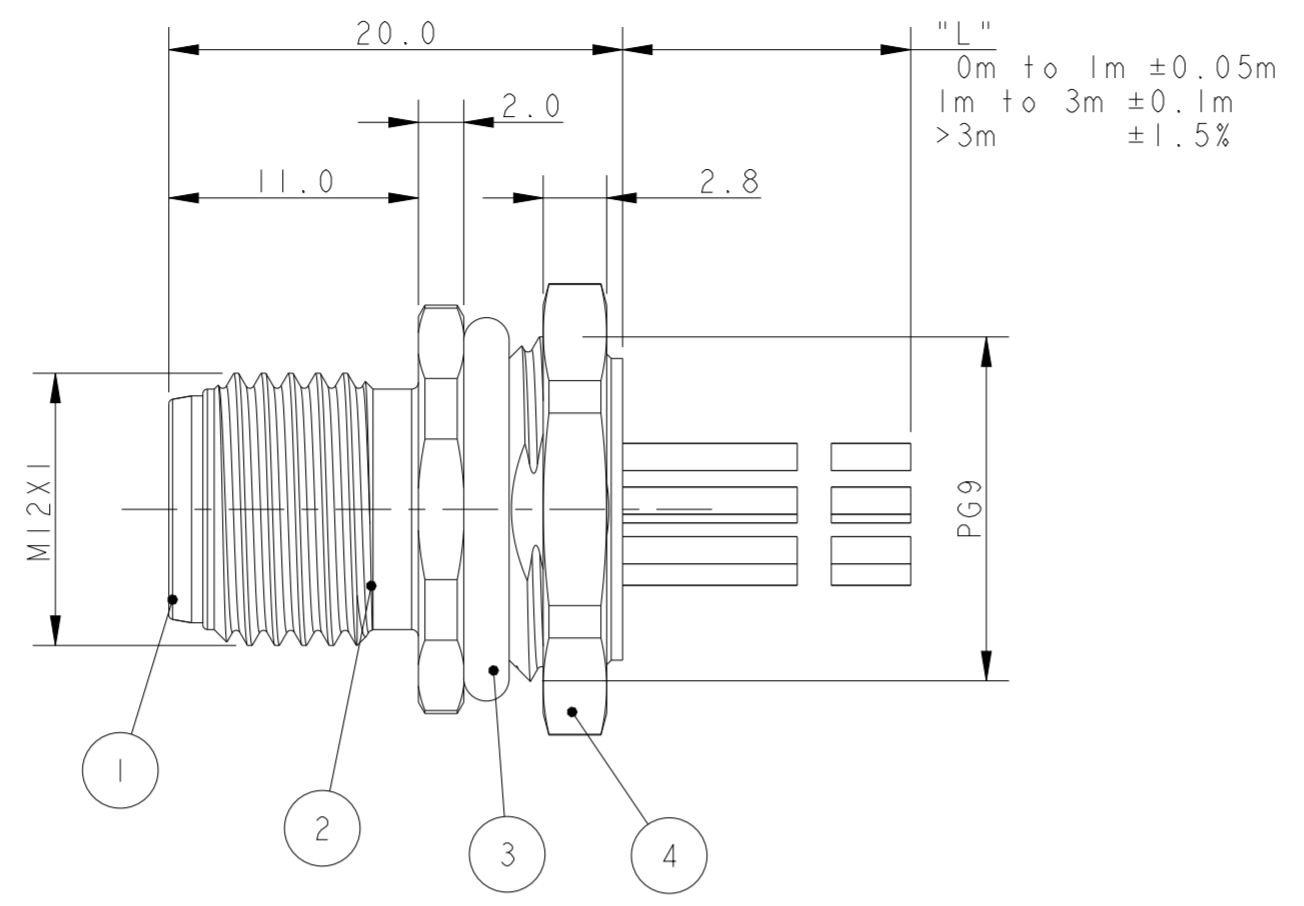


THIS DRAWING IS UNPUBLISHED. RELEASED FOR PUBLICATION
 © COPYRIGHT copyright.d8Te- ALL RIGHTS RESERVED.

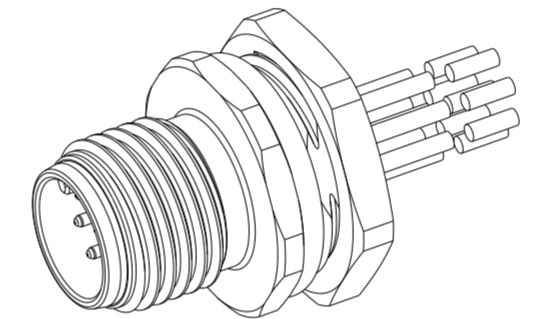
REVISIONS				
P	LTR	DESCRIPTION	DATE	APVD
A		INITIAL RELEASE	03JAN2018	G.W C.W
B		ECR-19-009136	01AUG2019	C.D C.W
BI		ECR-21-121934	24NOV2021	G.W C.W



M12, MALE, 8POLES

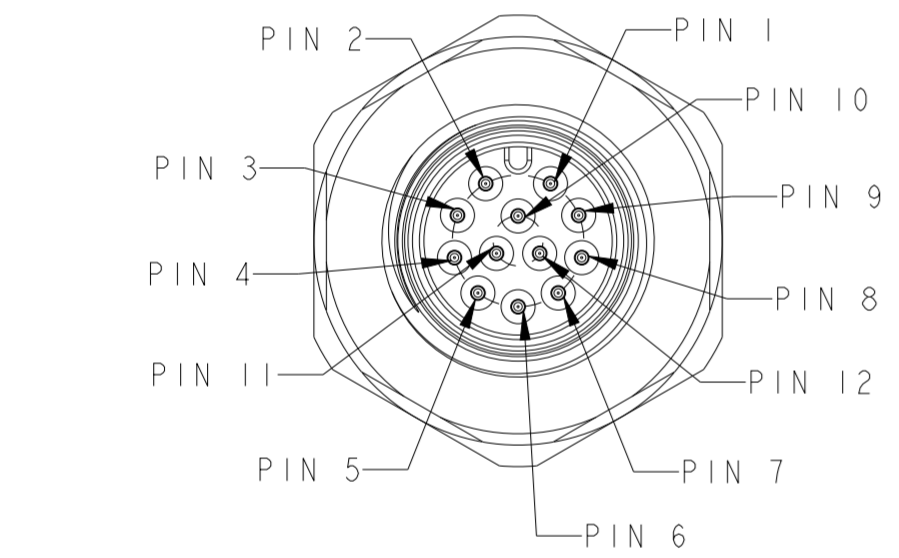


- NOTE:
1. TECHNICAL DATA: SEE TABLE 1
 2. RECOMMENDED MOUNT PANEL SEE DETAIL
 3. PACKAGING: 1PCS/BAG
 4. ALL DIMENSIONS ARE FOR NOMINAL REFERENCE ONLY UNLESS OTHERWISE STATED
 5. SEE TABLE 2, TYPE CODING:
-X.X: CALBE LEGTH: -0.2:0.2M; -0.5:0.5M; -1.0:1.0M
 6. SEE TABLE 2, PN CODING:
-00X: CALBE LEGTH: -001:0.2M; -002:0.5M; -003:1.0M



SCALE 2:1

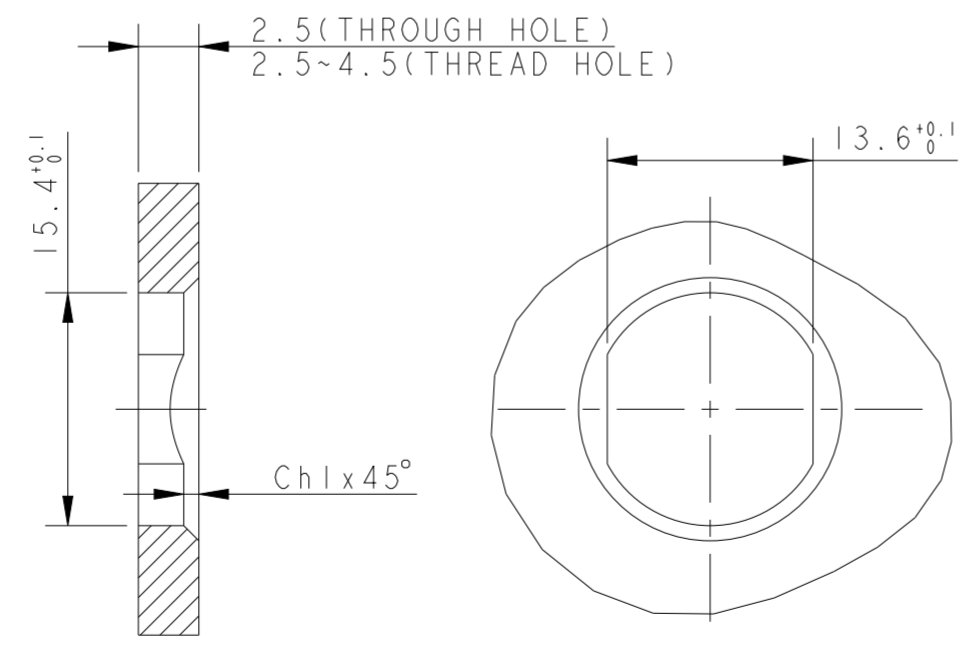
- 注释:
1. 技术参数, 见表1
 2. 推荐开孔尺寸详见如图所示
 3. 包装: 1PCS/袋
 4. 所有尺寸仅供参考, 除非另有说明
 5. 参照表2, 型号编码:
-X.X: 线缆长度: -0.2:0.2M; -0.5:0.5M; -1.0:1.0M
 6. 参照表2, 料号编码:
-00X: 线缆长度: -001:0.2M; -002:0.5M; -003:1.0M



M12, MALE, 12POLES



CIRCUIT DIAGRAM



RECOMMENDED PANEL CUTOUT

TABLE 1

TECHNICAL DATA	T4171220008-00X	T4171230012-00X
RATED VOLTAGE	30V	30V
RATED CURRENT	2A	1.5A
POLLUTION DEGREE	3	3
OVERVOLTAGE CATEGORY	II	II
MATERIAL GROUP	II	II
DEGREE OF PROTECTION	IP67	IP67
OPERATION TEMPERATURE	-40~85°C	-40~85°C

TABLE 2

CABLE CHARACTERISTIC	CABLE LENGTH "L"	TYPE	POS.	PART NUMBER
WIRES: 0.25MM ² (24AWG) FOR 8P 0.14MM ² (26AWG) FOR 12P CUSTOMIZATION: -0XX:X.XM(<10M)	-001:0.2M -002:0.5M -003:1.0M	RPC-M12-MB-12CON-PG9-X.XLAU ⁵	12	T4171230012-00X ⁶
	-0XX:X.XM(<10M)	RPC-M12-MB-8CON-PG9-X.XLAU ⁵	8	T4171220008-00X ⁶

OTHERS	MATERIAL	DESCRIPTION	ITEM
-	EPOXY RESIN	POTTING ADHESIVE	7
-	-	CABLE	6
GOLD PLATED	BRASS	CONTACT	5
NICKEL PLATED	BRASS	METAL NUT	4
BLACK	RUBBER	O-RING	3
NICKEL PLATED	BRASS	M12, MALE, METAL BODY	2
-	PA	M12, MALE HSG	1

THIS DRAWING IS A CONTROLLED DOCUMENT.

DWN: 03JAN2018 GAVIN WANG
 CHK: 03JAN2018 KEVIN HUANG
 APVD: 03JAN2018 CHRIS WANG

TE Connectivity

M12 PANEL MOUNT CONNECTOR
 A CODE, MALE, FRONT MOUNT
 WITH WIRE

108-106140
 114-137144

SIZE: A2
 CAGE CODE: -
 DRAWING NO: C-T417122000800X
 RESTRICTED TO: -

CUSTOMER DRAWING
 SCALE: 2:1
 SHEET: 1 OF 1
 REV: BI

X-ON Electronics

Largest Supplier of Electrical and Electronic Components

Click to view similar products for [Circular Metric Connectors](#) category:

Click to view products by [TE Connectivity](#) manufacturer:

Other Similar products are found below :

[600X518037X](#) [6STD15PCR99B70A](#) [8R4000A16M020](#) [8R5000A16M005](#) [1200910002](#) [1203580030](#) [1200910008](#) [1200910011](#) [1300140094](#)
[130203-0054](#) [1300140026](#) [1300150099](#) [RF-12S1N8A90DU](#) [1-3637-600-5205](#) [1612618](#) [21036836414](#) [8R4006A16M010](#) [8R5006A18A120](#)
[1604232](#) [1R3006A20M005](#) [RF-12P1N8A80DU](#) [RF-12P1N8A90DU](#) [41-40011](#) [42-01015](#) [4-22279-4](#) [4-22281-1](#) [4-22284-9](#) [43-00113](#) [43-](#)
[01088](#) [43-01203](#) [41-40013](#) [42-00008](#) [43-00343](#) [43-01032](#) [43-01162](#) [43-10000](#) [600X518050X](#) [SACC-DSI-FS-5P-PG9-L180 SC](#)
[8R5006A16M020](#) [8R5006A16M005](#) [8R4000A16M010](#) [6-22279-3](#) [1605332](#) [N03FA03144](#) [1300140077](#) [43-01338](#) [XS2RD4265](#) [RSC 4/9](#)
[XS2R-D426-1](#) [XS8A-0441](#)