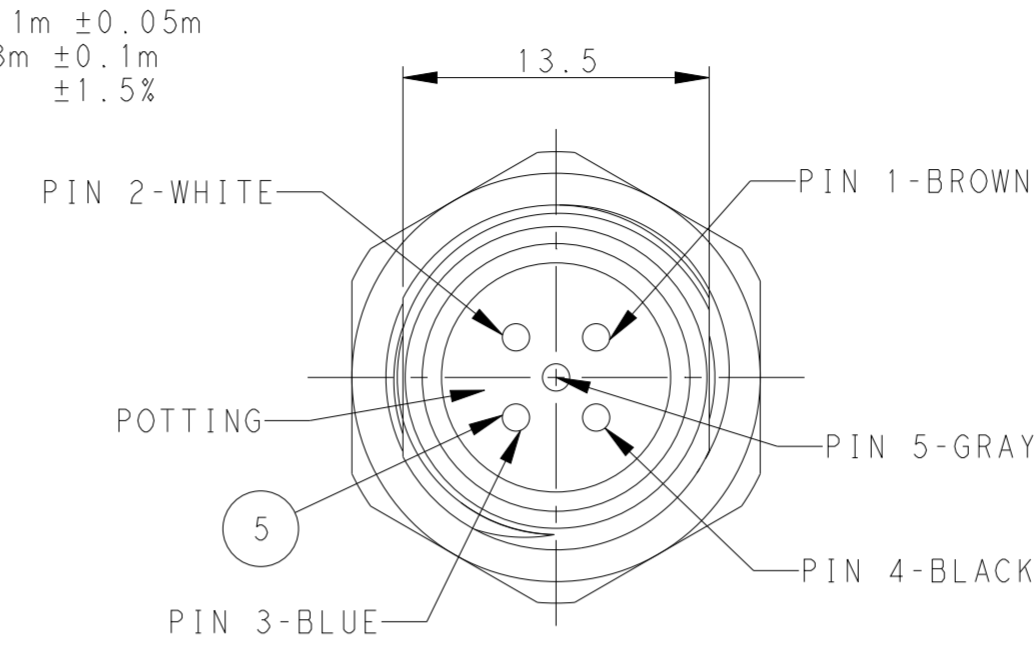
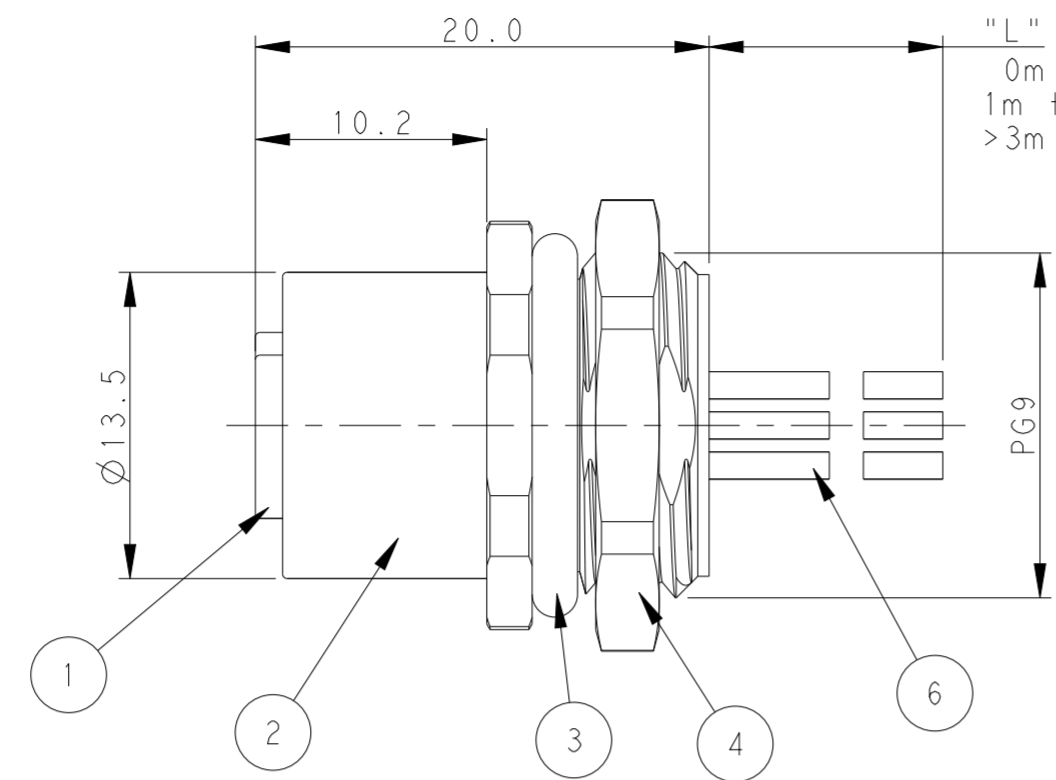
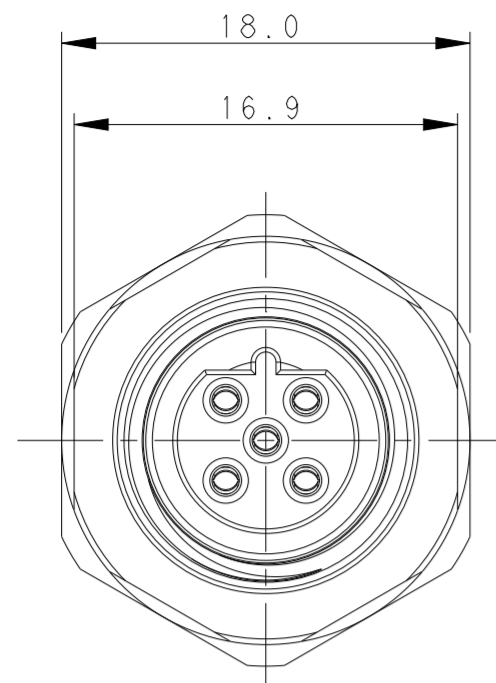


THIS DRAWING IS UNPUBLISHED. RELEASED FOR PUBLICATION 20
 © COPYRIGHT 20 BY - ALL RIGHTS RESERVED.

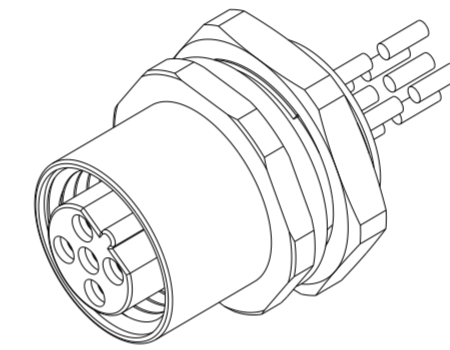
REVISIONS				
P	LTR	DESCRIPTION	DATE	APVD
A2		ECR-16-010931	02AUG2016	L.Z X.X
B		ECR-19-009136	01AUG2019	C.D C.W
B1		ECR-19-019842	23DEC2019	G.W C.W
B2		ECR-21-121934	24NOV2021	G.W C.W



- NOTE:
1. TECHNICAL DATA: SEE TABLE 1
 2. RECOMMENDED MOUNT PANEL SEE DETAIL
 3. PACKAGING: 1PCS/BAG
 4. ALL DIMENSIONS ARE FOR NOMINAL REFERENCE ONLY UNLESS OTHERWISE STATED
 5. SEE TABLE 2, TYPE CODING:
-X.X: CALBE LEGTH: -0.2:0.2M; -0.5:0.5M; -1.0:1.0M
 6. SEE TABLE 2, PN CODING:
-00L: CALBE LEGTH: -001:0.2M; -002:0.5M; -003:1.0M

TABLE 1

TECHNICAL DATA	T4171310402-00L	T4171310403-00L	T4171310404-00L	T4171310405-00L
RATED VOLTAGE	250V	250V	250V	60V
RATED CURRENT	4A	4A	4A	4A
POLLUTION DEGREE	3	3	3	3
OVERVOLTAGE CATEGORY	II	II	II	II
MATERIAL GROUP	II	II	II	II
CONTACT RESISTANCE	<=10mΩ	<=10mΩ	<=10mΩ	<=10mΩ
INSULATION RESISTANCE	>100MΩ	>100MΩ	>100MΩ	>100MΩ
DEGREE OF PROTECTION	IP67	IP67	IP67	IP67
OPERATION TEMPERATURE	-40~85°C	-40~85°C	-40~85°C	-40~85°C

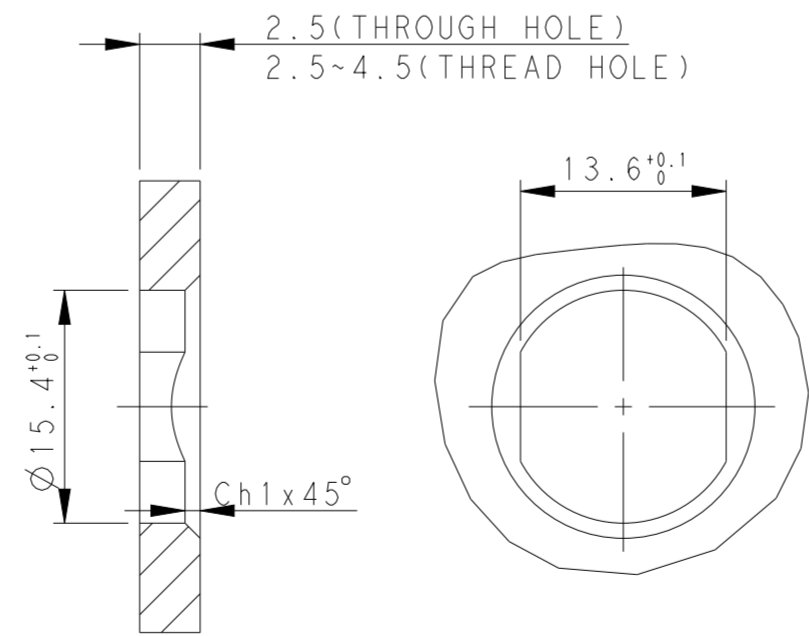
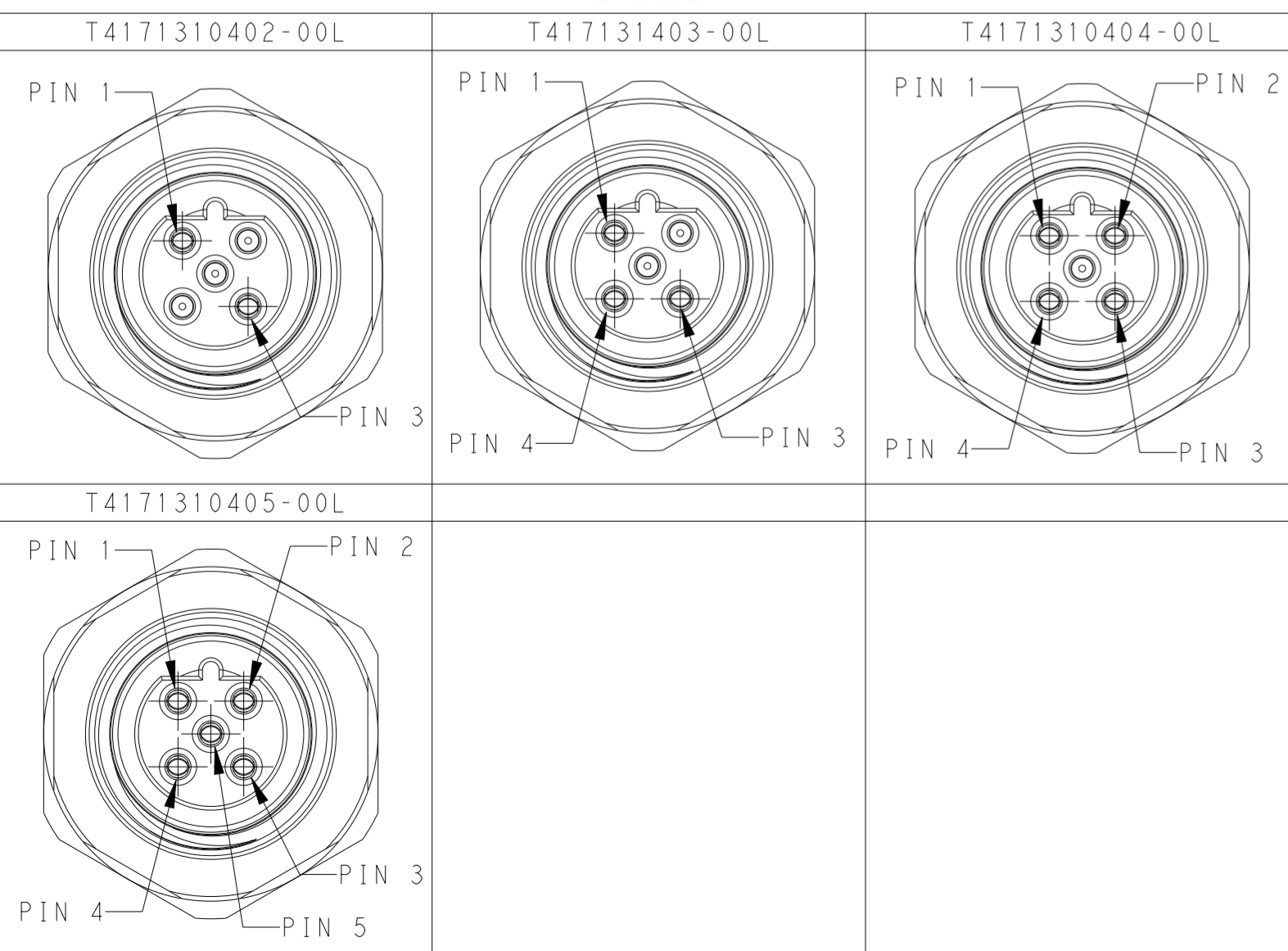


- 注释:
1. 技术参数, 见表 1
 2. 推荐开孔尺寸详见如图所示
 3. 包装: 1PCS/袋
 4. 所有尺寸仅供参考, 除非另有说明
 5. 参照表 2, 型号编码:
-X.X: 线缆长度: -0.2:0.2M; -0.5:0.5M; -1.0:1.0M
 6. 参照表 2, 料号编码:
-00L: 线缆长度: -001:0.2M; -002:0.5M; -003:1.0M

TABLE 2

CABLE CHARACTERISTIC	CABLE LENGTH "L"	DESCRIPTION	POS	TABLE 2 PN
WIRES: 0.34MM^2(22AWG) WIRE PN AND COLOR: 1(BR)/2(WH)/3(BL)/4(BK)/5(GR) CUSTOMIZATION: -0XX:X.XM(<10M)	-001:0.2M	RPC-M12B-FB-5CON-PG9-X.XLAU	5	T4171310405-00L
	-002:0.5M	RPC-M12B-FB-4CON-PG9-X.XLAU	4	T4171310404-00L
	-003:1.0M	RPC-M12B-FB-3CON-PG9-X.XLAU	3	T4171310403-00L
	-0XX:X.XM(<10M)	RPC-M12B-FB-2CON-PG9-X.XLAU	2	T4171310402-00L

PIN ARRANGEMENT B-CODE



RECOMMENDED PANEL CUTOUT

COMMENT	MATERIAL	DESCRIPTION	ITEM
-	-	CABLE	6 2 3 4 5
FLASH GOLD	BRONZE	CONTACT	5 2 3 4 5
NICKEL PLATED	BRASS	METAL NUT	4 1 1 1 1
BLACK	RUBBER	O-RING	3 1 1 1 1
NICKEL PLATED	BRASS	M12, MALE, METAL BODY	2 1 1 1 1
BLACK	PA	M12, MALE HSG, B CODE	1 1 1 1 1

THIS DRAWING IS A CONTROLLED DOCUMENT.

DWN BO GAO 11APR2016
 CHK KOBBY ZHAO 11APR2016
 APVD XIANG XU 11APR2016

TE Connectivity

M12 PANEL MOUNT CONNECTOR B CODE, FEMALE, FRONT MOUNTING

108-106140
 114-137144

SIZE A2 CAGE CODE - DRAWING NO. C-T417131040X00L RESTRICTED TO -
 WEIGHT - SCALE 3:1 SHEET 1 OF 1 REV B2

X-ON Electronics

Largest Supplier of Electrical and Electronic Components

Click to view similar products for [Circular Metric Connectors](#) category:

Click to view products by [TE Connectivity](#) manufacturer:

Other Similar products are found below :

[600X518037X](#) [6STD15PCR99B70A](#) [8R4000A16M020](#) [8R5000A16M005](#) [1200910002](#) [1203580030](#) [1200910008](#) [1200910011](#) [1300140094](#)
[130203-0054](#) [1300140026](#) [1300150099](#) [RF-12S1N8A90DU](#) [1-3637-600-5205](#) [1612618](#) [21036836414](#) [8R4006A16M010](#) [8R5006A18A120](#)
[1604232](#) [1R3006A20M005](#) [RF-12P1N8A80DU](#) [RF-12P1N8A90DU](#) [41-40011](#) [42-01015](#) [4-22279-4](#) [4-22281-1](#) [4-22284-9](#) [43-01088](#) [43-](#)
[01203](#) [41-40013](#) [42-00008](#) [43-00343](#) [43-01032](#) [43-01162](#) [43-10000](#) [600X518050X](#) [SACC-DSI-FS-5P-PG9-L180 SC](#) [8R5006A16M020](#)
[8R5006A16M005](#) [8R4000A16M010](#) [6-22279-3](#) [1605332](#) [N03FA03144](#) [1300140077](#) [43-01338](#) [XS2RD4265](#) [RSC 4/9](#) [XS2R-D426-1](#)
[XS8A-0441](#) [859RD04-103R004](#)