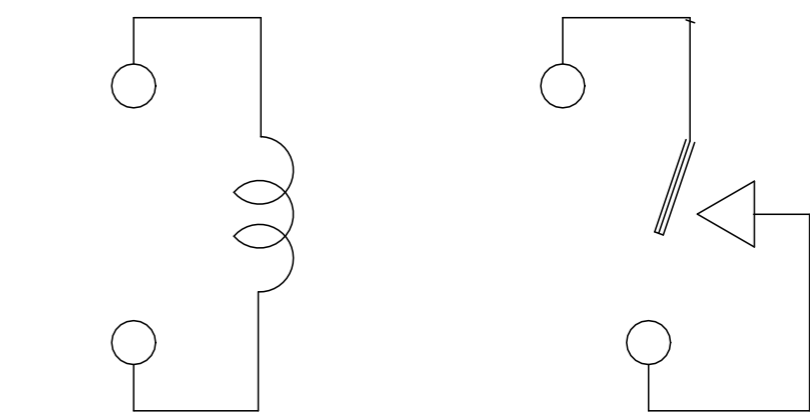
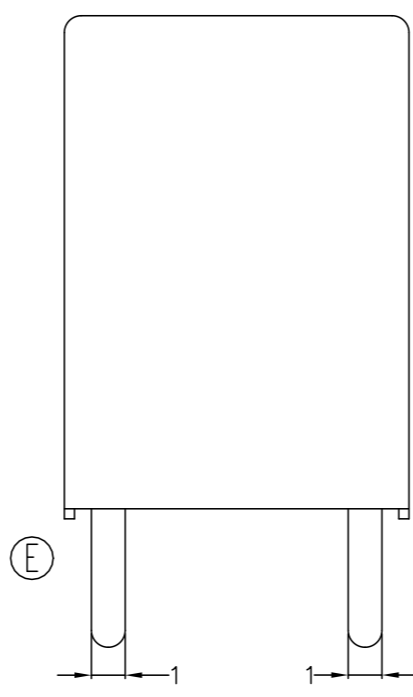
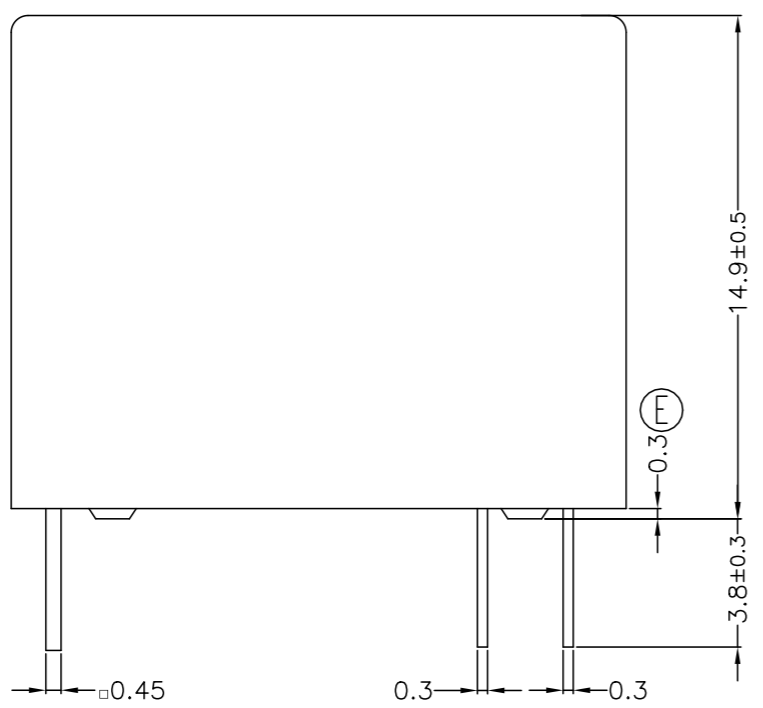


LOC	DIST	REVISIONS			
P	LTR	DESCRIPTION	DATE	DWN	APVD
HB	-				
	E	REMOVED THE RIB ON BASE TO CASE ECO-15-011310	29-Sep-15	YS.H	SM.C
	E1	ADD NEW PN ECO-19-017316	13-Nov-19	WQ.Y	K.T

TE
 T77V1D10-12-02
 10A 120V~
 10A 30V= Res.
 P&B CHINA
 LOT No



CONNECTION FIGURE

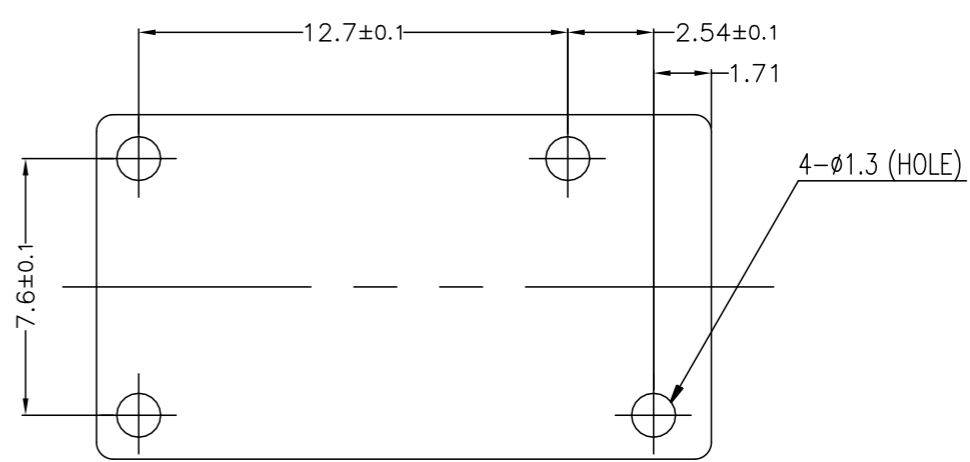
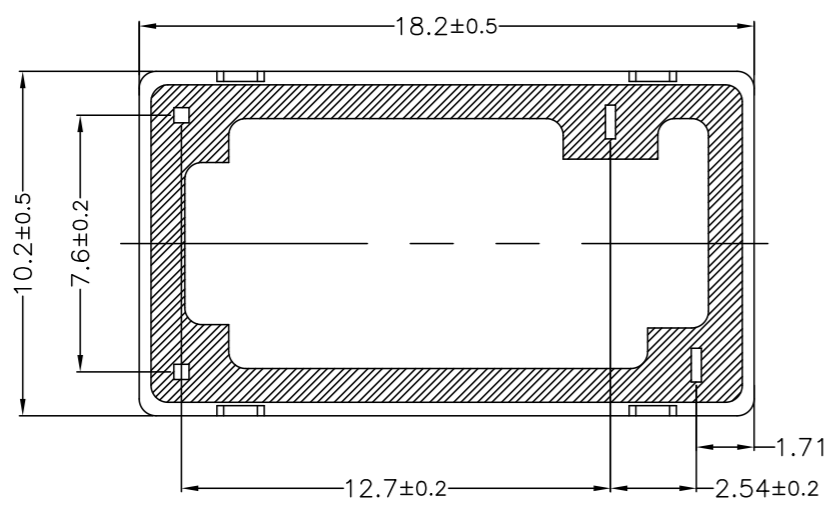


FIGURE FOR PRINTED CIRCUIT BOARD PROCESSING (BOTTOM VIEW)



THIS DRAWING IS A CONTROLLED DOCUMENT.		DWN	Fu Bo		TE TE Connectivity
DIMENSIONS: mm		CHK			
TOLERANCES UNLESS OTHERWISE SPECIFIED:		APVD	CH,HSU		NAME
0 PLC ±-		PRODUCT SPEC	-		T77*1D10-** CUSTOMER DRAWING
1 PLC ±-		APPLICATION SPEC	-		
2 PLC ±-		WEIGHT	-		SIZE
3 PLC ±-		CUSTOMER DRAWING	A3		CAGE CODE
4 PLC ±-			00779		DRAWING NO
ANGLES ±-		1-1393194-9		RESTRICTED TO	
FINISH		SCALE 5:1		SHEET 1 of 2	REV E1

THIS DRAWING IS UNPUBLISHED. RELEASED FOR PUBLICATION - , -

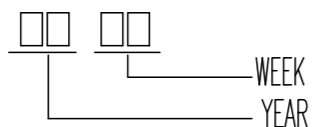
© COPYRIGHT - By - TE CONNECTIVITY ALL RIGHTS RESERVED.

LOC	DIST	REVISIONS					
HB	-	P	LTR	DESCRIPTION	DATE	DWN	APVD
		-	-	SEE SHEET 1	-	-	-

107-84030	4-1393194-2	T77V1D10-12	T77V1D10-12	r	E1
107-79010	3-1393194-8	T77V1D10-24-01	T77V1D10-24-01	q	
107-79010	2-1393194-2	T77V1D10-48	T77V1D10-48	p	
107-79010	2-1393194-1	T77V1D10-24	T77V1D10-24	o	
107-79010	2-1393194-0	T77V1D10-18	T77V1D10-18	n	
107-79010	1-1393194-9	T77V1D10-12	T77V1D10-12	m	
107-79010	1440005-1	T77V1D10-09	T77V1D10-09	l	
107-79010	8-1440009-1	T77V1D10-06	T77V1D10-06	k	
107-79010	1-1393194-8	T77V1D10-05	T77V1D10-05	j	
107-79010	1-1393194-7	T77V1D10-03	T77V1D10-03	i	
107-79010	9-1440004-7	T77S1D10-48	T77S1D10-48	h	
107-79010	1-1393194-0	T77S1D10-24	T77S1D10-24	g	
107-79010	9-1440004-5	T77S1D10-18	T77S1D10-18	f	
107-79010	1393194-9	T77S1D10-12	T77S1D10-12	e	
107-79010	1393194-8	T77S1D10-09	T77S1D10-09	d	
107-79010	9-1440004-2	T77S1D10-06	T77S1D10-06	c	
107-79010	1393194-7	T77S1D10-05	T77S1D10-05	b	
107-79010	1393194-6	T77S1D10-03	T77S1D10-03	a	
PACKAGE SPEC.	PART NO	DESCRIPTION	PART A	TYPE	

RELAY TYPE

NOTE
1.LOT NO SYSTEM AS FOLLOWING:



- 2.TERMINAL DIMENSION IS BEFORE SOLDER DIP;
- 3.FOR THE TIN-PLATING OF THE PINS:
+0.1mm FOR WIDTH,THICKENSS AND DIAMETER.
+0.5mm FOR LENGTH.
- 4.MARKING FROM INK TO LASER AND USING WELDED CONTACT

5.ADD LOT NO. SYSTEM AS FOLLOWING;



- I, DIGITS FOR DAY OF THE WEEK
1...MONDAY IN THIS WEEK;
2...TUESDAY IN THIS WEEK;
.....
7...SUNDAY IN THIS WEEK
- II, DIGITS FOR SHIFT OF THE DAY
1...DAY SHIFT IN THIS DAY;
2...NIGHT SHIFT IN THIS DAY;
- III, ONE CHARACTER DISTINGUISH THE LINE IDENTITY, SUCH AS: A,B,....Z

		EPOXY RESIN	SEAL (BASE & BOBBIN)	15
		MW79	MAGNETIC WIRE	14
94V-0		P.B.T	CASE	13
94V-0		P.B.T	BASE	12
94VHB		P.B.T	BOBBIN	11
	SOLDER DIP	C.P WIRE	COIL TERMINAL	10
94V-0		P.P.S	CARD	9
		Ag ALLOY	MOVABLE CONTACT	8
		Ag	NO.CONTACT	7
		STEEL	HINGE SPRING	6
	SOLDER DIP	CU ALLOY	NO.TERMINAL	5
	SOLDER DIP	CU ALLOY	MOVABLE SPRING	4
	NIP	STEEL	CORE	3
	NIP	STEEL	ARMATURE	2
	NIP	STEEL	YOKE	1
INCOMBUSTIBILITY	TREATMENT	MATERIAL	DESCRIPTION	ITEM

THIS DRAWING IS A CONTROLLED DOCUMENT.		DWN	Fu Bo	-												
DIMENSIONS: mm		CHK	Xiaoning.Zhang	-												
TOLERANCES UNLESS OTHERWISE SPECIFIED:		APVD	CH,HSU	-												
<table border="0"> <tr><td>0 PLC</td><td>± -</td></tr> <tr><td>1 PLC</td><td>± -</td></tr> <tr><td>2 PLC</td><td>± -</td></tr> <tr><td>3 PLC</td><td>± -</td></tr> <tr><td>4 PLC</td><td>± -</td></tr> <tr><td>ANGLES</td><td>± -</td></tr> </table>		0 PLC	± -	1 PLC	± -	2 PLC	± -	3 PLC	± -	4 PLC	± -	ANGLES	± -	PRODUCT SPEC	-	
0 PLC	± -															
1 PLC	± -															
2 PLC	± -															
3 PLC	± -															
4 PLC	± -															
ANGLES	± -															
MATERIAL		APPLICATION SPEC	-													
FINISH		WEIGHT	-													
		<p style="text-align: center;">STE TE Connectivity</p> <p style="text-align: center;">T77*1D10-** CUSTOMER DRAWING</p>														
		SIZE	CAGE CODE	DRAWING NO												
		A3	00779	1-1393194-9												
		CUSTOMER DRAWING		RESTRICTED TO												
		SCALE 5:1		SHEET 2 of 2												
				REV E1												

X-ON Electronics

Largest Supplier of Electrical and Electronic Components

Click to view similar products for [General Purpose Relays](#) category:

Click to view products by [TE Connectivity](#) manufacturer:

Other Similar products are found below :

[PCN-105D3MH,000](#) [59641F200](#) [LY1SAC110120](#) [5X827E](#) [5X837F](#) [5X840F](#) [5X842F](#) [5X848E](#) [LY2N-AC120](#) [LY2S-AC220/240](#) [LY2-US-AC120](#) [LY3-US-AC120](#) [LY4F-UA-DC12](#) [LY4F-UA-DC24](#) [LY4F-US-AC120](#) [LY4F-US-AC240](#) [LY4F-US-DC24](#) [LY4F-VD-AC110](#) [LYQ20DC12](#) [M115C60](#) [M115N010](#) [M115N0150](#) [6031007G](#) [603-12D](#) [61211T0B4](#) [61212T400](#) [61222Q400](#) [61243B600](#) [61243C500](#) [61243Q400](#) [61311BOA2](#) [61311BOA6](#) [61311BOA8](#) [61311C0A2](#) [61311COA1](#) [61311COA6](#) [61311F0A2](#) [61311QOA1](#) [61311QOA4](#) [61311T0D6](#) [61311TOA6](#) [61311TOA7](#) [61311TOB3](#) [61311TOB4](#) [61311U0A6](#) [61312Q600](#) [61312T400](#) [61312T600](#) [61313U200](#) [61313U400](#)