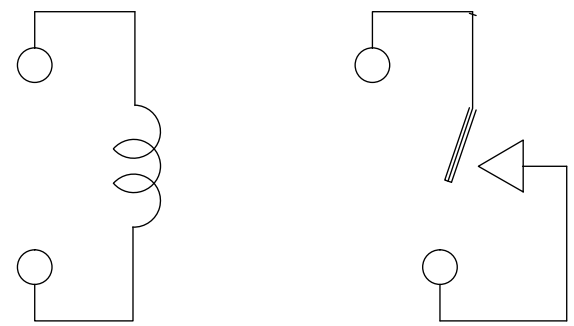
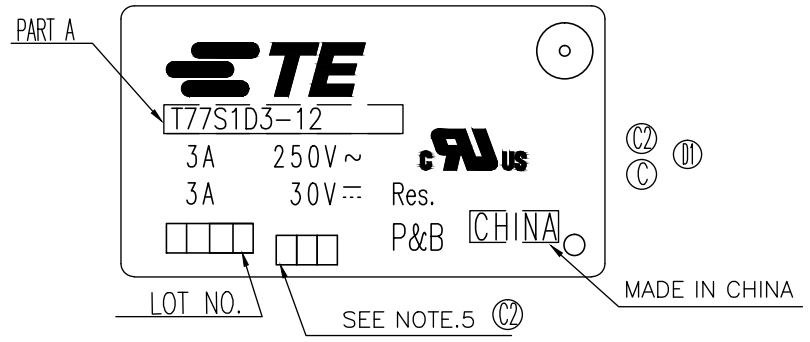


THIS DRAWING IS UNPUBLISHED. RELEASED FOR PUBLICATION
 © COPYRIGHT - By - TE CONNECTIVITY ALL RIGHTS RESERVED.

LOC	DIST	REVISIONS			
P	LTR	DESCRIPTION	DATE	DWN	APVD
HB	-	E	REMOVED THE RIB ON THE BASE TO CASE ECO-15-011310	120ct2015	HYS CSM



CONNECTION FIGURE

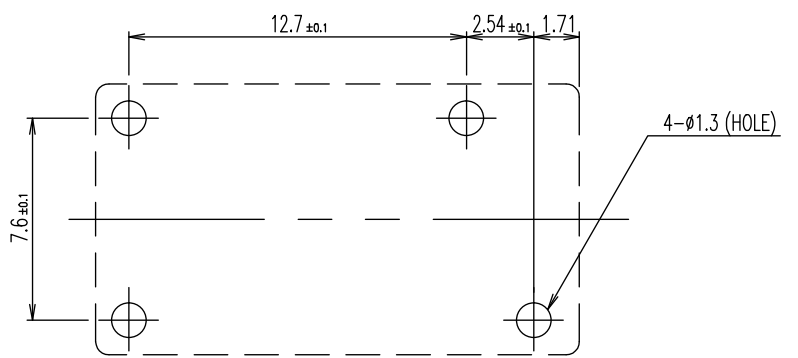
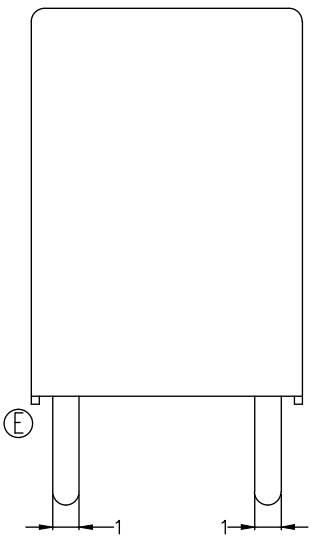
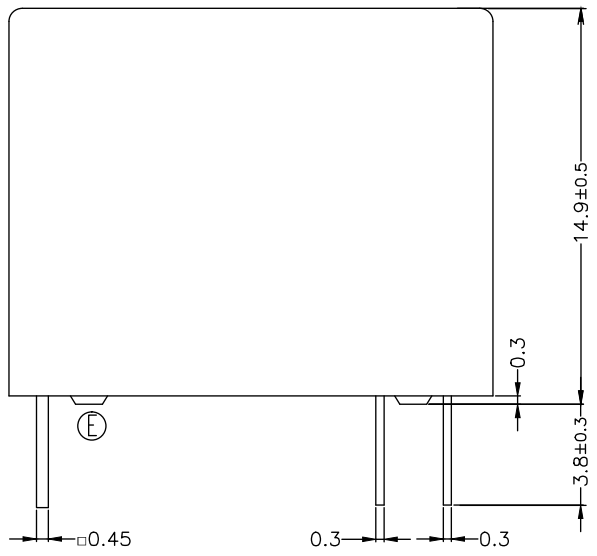
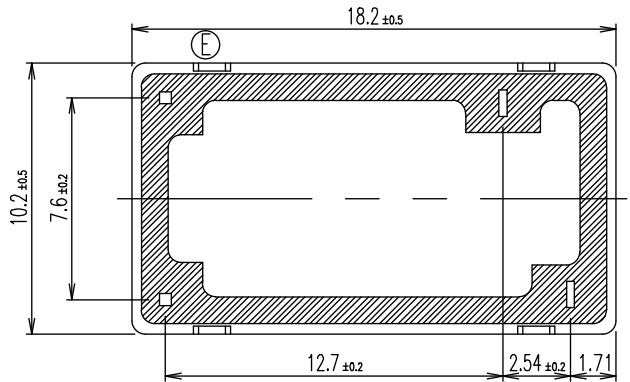


FIGURE FOR PRINTED CIRCUIT BOARD PROCESSING (BOTTOM VIEW)



THIS DRAWING IS A CONTROLLED DOCUMENT.		DWN	Huang, Yunshou	TE Connectivity	
DIMENSIONS: mm		CHK	Yu, Banghua	NAME	
TOLERANCES UNLESS OTHERWISE SPECIFIED:		APVD	Zhang, Sunny	T77*1D3-** CUSTOMER DRAWING	
0 PLC ± - 1 PLC ± - 2 PLC ± - 3 PLC ± - 4 PLC ± - ANGLES ± - FINISH		PRODUCT SPEC	-	RESTRICTED TO	
MATERIAL		APPLICATION SPEC	-	SIZE	A3
		WEIGHT	-	CAGE CODE	00779
		CUSTOMER DRAWING		DRAWING NO	2-1393194-5
		SCALE	5:1	SHEET	1 OF 2
				REV	E

THIS DRAWING IS UNPUBLISHED. RELEASED FOR PUBLICATION - , - .
 © COPYRIGHT - By - TE CONNECTIVITY ALL RIGHTS RESERVED.

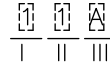
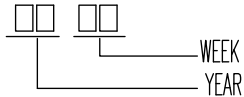
LOC	DIST	REVISIONS					
HB	-	P	LTR	DESCRIPTION	DATE	DWN	APVD
		-		SEE SHEET 1	-	-	-

2-1393194-8	T77V1D3-24-01	T77V1D3-24-01	p
2-1393194-7	T77V1D3-24	T77V1D3-24	o
1-1440005-9	T77V1D3-18	T77V1D3-18	n
2-1393194-6	T77V1D3-12	T77V1D3-12	m
1-1440005-7	T77V1D3-09	T77V1D3-09	l
1-1440005-6	T77V1D3-06	T77V1D3-06	k
2-1393194-5	T77V1D3-05	T77V1D3-05	j
2-1393194-4	T77V1D3-03	T77V1D3-03	i
1-1393194-6	T77S1D3-24	T77S1D3-24	h
1-1440005-2	T77S1D3-18	T77S1D3-18	g
1-1393194-5	T7S1D3-12	T7S1D3-12	f
1440005-8	T77S1D3-06	T77S1D3-06	e
1-1440005-0	T77S1D3-09	T77S1D3-09	d
1-1393194-4	T77S1D3-06-01	T77S1D3-06-01	c
1-1393194-3	T77S1D3-05	T77S1D3-05	b
1-1393194-2	T77S1D3-03	T77S1D3-03	a
PART NO	DESCRIPTION	PART A	TYPE

RELAY TYPE

NOTE

1. LOT NO SYSTEM AS FOLLOWING: ① 5. ADD LOT NO. SYSTEM AS FOLLOWING;



I, DIGITS FOR DAY OF THE WEEK
 1...MONDAY IN THIS WEEK;
 2...TUESDAY IN THIS WEEK;

 7...SUNDAY IN THIS WEEK

II, DIGITS FOR SHIFT OF THE DAY
 1...DAY SHIFT IN THIS DAY;
 2...NIGHT SHIFT IN THIS DAY;

III, ONE CHARACTER DISTINGUISH THE LINE IDENTITY, SUCH AS: A,B,....Z

② 2. TERMINAL DIMENSION IS BEFORE SOLDER DIP;

③ 3. FOR THE TIN-PLATING OF THE PINS:
 +0.1mm FOR WIDTH, THICKNESS AND DIAMETER.
 +0.5mm FOR LENGTH.

④ 4. MARKING FROM INK TO LASER.

		EPOXY RESIN	SEAL (BASE & BOBBIN)	15
		MM79	MAGNETIC WIRE	14
94V-0		P.B.T	CASE	13
94V-0		P.B.T	BASE	12
94VHB		NYRON	BOBBIN	11
	SOLDER DIP	C.P WIRE	COIL TERMINAL	10
94V-0		P.P.S	CARD	9
		Ag ALLOY	MOVABLE CONTACT	8
		Ag ALLOY	NO.CONTACT	7
		STEEL	HINGE SPRING	6
	SOLDER DIP	CU ALLOY	NO.TERMINAL	5
	SOLDER DIP	CU ALLOY	MOVABLE SPRING	4
	NIP	STEEL	CORE	3
	NIP	STEEL	ARMATURE	2
	NIP	STEEL	YOKE	1
INCOMBUSTIBILITY	TREATMENT	MATERIAL	DESCRIPTION	ITEM

THIS DRAWING IS A CONTROLLED DOCUMENT.		DWN	Huang, Yunshou	-
DIMENSIONS: mm		CHK	Yu, Banghua	-
TOLERANCES UNLESS OTHERWISE SPECIFIED:		APVD	Zhang, Sunny	-
		PRODUCT SPEC	-	
0 PLC ± - 1 PLC ± - 2 PLC ± - 3 PLC ± - 4 PLC ± - ANGLES ± -		APPLICATION SPEC	-	
MATERIAL	FINISH	WEIGHT	-	
-		-		SIZE
-		-		CAGE CODE
-		-		DRAWING NO
-		-		RESTRICTED TO
-		-		A3 00779
-		-		2-1393194-5
-		-		SCALE 5:1
-		-		SHEET 2 OF 2
-		-		REV E



T77*1D3-** CUSTOMER DRAWING

X-ON Electronics

Largest Supplier of Electrical and Electronic Components

Click to view similar products for [General Purpose Relays](#) category:

Click to view products by [TE Connectivity](#) manufacturer:

Other Similar products are found below :

[PCN-105D3MH,000](#) [59641F200](#) [LY1SAC110120](#) [5X827E](#) [5X837F](#) [5X840F](#) [5X842F](#) [5X848E](#) [LY2N-AC120](#) [LY2S-AC220/240](#) [LY2-US-AC120](#) [LY3-US-AC120](#) [LY4F-UA-DC12](#) [LY4F-UA-DC24](#) [LY4F-US-AC120](#) [LY4F-US-AC240](#) [LY4F-US-DC24](#) [LY4F-VD-AC110](#) [LYQ20DC12](#) [M115C60](#) [M115N010](#) [M115N0150](#) [6031007G](#) [603-12D](#) [61211T0B4](#) [61212T400](#) [61222Q400](#) [61243B600](#) [61243C500](#) [61243Q400](#) [61311BOA2](#) [61311BOA6](#) [61311BOA8](#) [61311C0A2](#) [61311COA1](#) [61311COA6](#) [61311F0A2](#) [61311QOA1](#) [61311QOA4](#) [61311T0D6](#) [61311TOA6](#) [61311TOA7](#) [61311TOB3](#) [61311TOB4](#) [61311U0A6](#) [61312Q600](#) [61312T400](#) [61312T600](#) [61313U200](#) [61313U400](#)