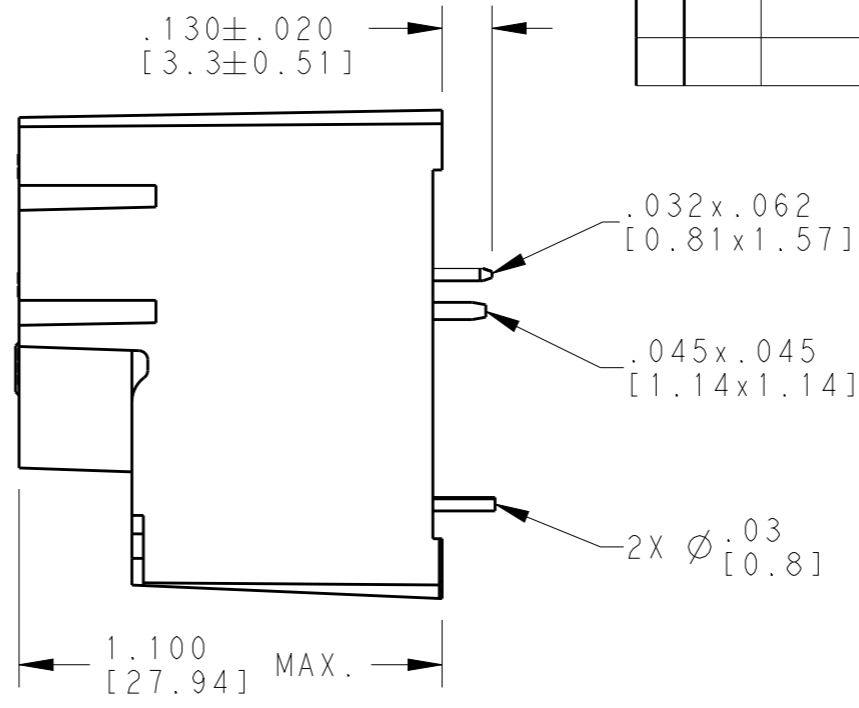
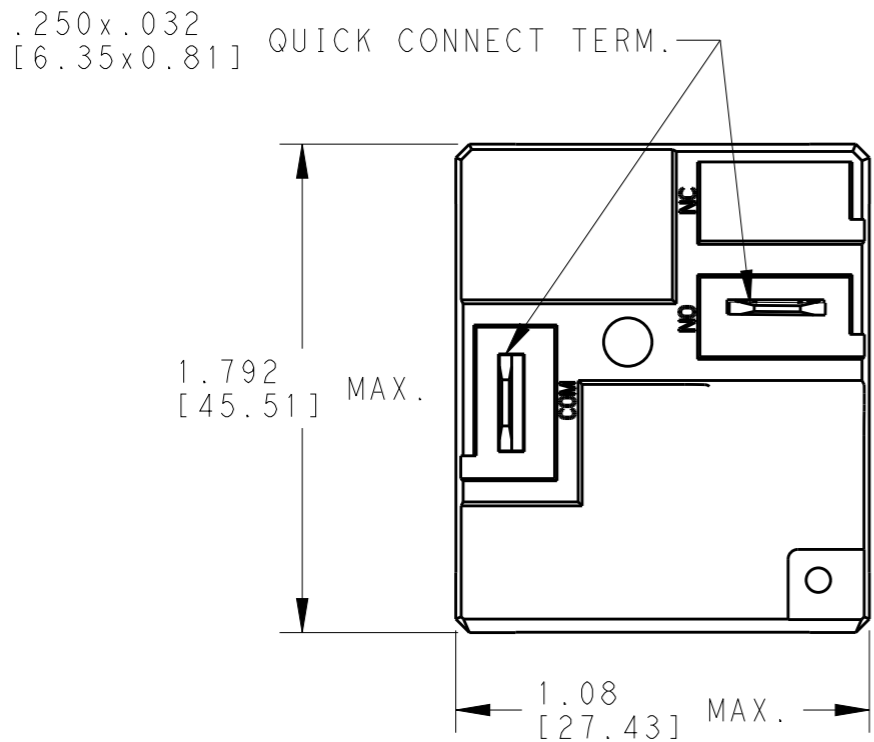
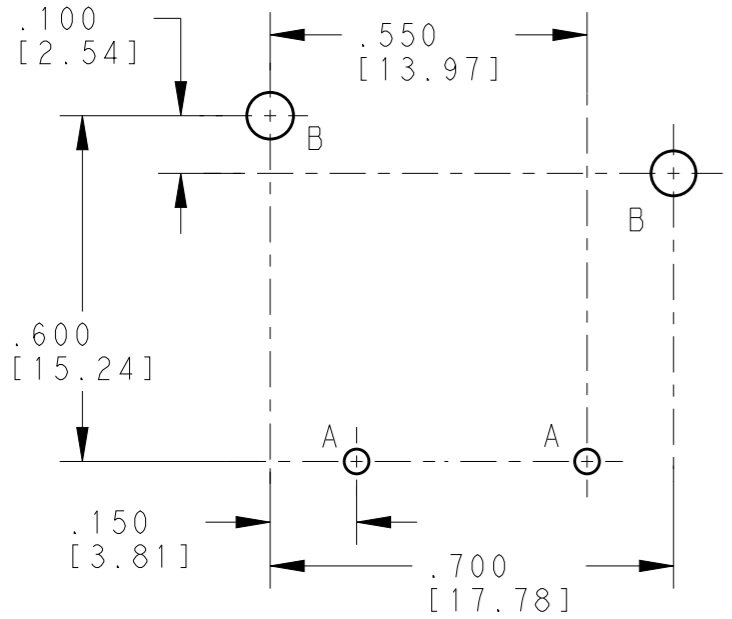


THIS DRAWING IS UNPUBLISHED. RELEASED FOR PUBLICATION 20
 © COPYRIGHT 20 BY - ALL RIGHTS RESERVED.

LOC	DIST	REVISIONS			
P	LTR	DESCRIPTION	DATE	DWN	APVD
HB	00	F	ECR-10-018145	03NOV2010	SPN GK
		G	CHANGE TE LOGO, ECO-12-005755	24AUG2012	HL.C BH.Y



HOLE CHART
 A- Ø .043±.003 [1.09±0.08]
 B- Ø .081 [2.06]

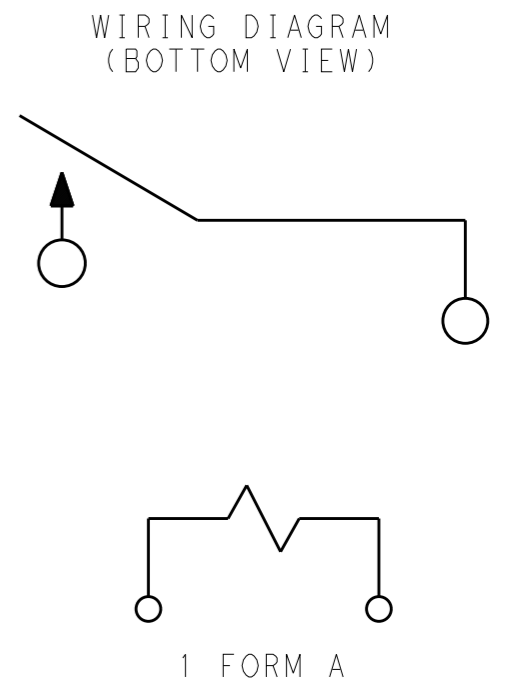


ELECTRICAL CHARACTERISTICS

NOMINAL VOLTAGE: 12VDC
 OPERATE VOLTAGE: 9VDC
 DROPOUT VOLTAGE: 1.2VDC MIN.
 COIL RESISTANCE: 144 OHMS ±10%
 CONTACT ARRANGEMENT: 1 FORM A (SPST)
 CONTACT MATERIAL: SILVER CADMIUM OXIDE
 CONTACT RATING: 30A @ 240 VAC, NO CONTACT

BREAKDOWN: 1554V RMS 60Hz ACROSS OPEN CONTACTS
 2500V RMS 60Hz BETWEEN CONTACTS AND COIL
 6KV SURGE USING 1.2 MICROSEC. / 50 MICROSEC. IMPULSE WAVE OR
 .5 MICROSEC. -100KHz RING WAVE BETWEEN CONTACTS AND COIL.

STORAGE TEMPERATURE RANGE: -55°C TO +130°C
 OPERATE TEMPERATURE RANGE: -55°C TO +105°C**



TE PART NO.
 1-1419104-7

THIS DRAWING IS A CONTROLLED DOCUMENT.		DWN J. SLIKE 09FEB2010	TE Connectivity	
DIMENSIONS: INCH [mm]		CHK G. KOPPENHEFFER 09FEB2010		
TOLERANCES UNLESS OTHERWISE SPECIFIED:		APVD G. KOPPENHEFFER 09FEB2010	NAME RELAY, PC, SEALED	
0 PLC ±-		PRODUCT SPEC -	SIZE A3	
1 PLC ±-		APPLICATION SPEC -	CAGE CODE 00779	DRAWING NO. T9AS1D22-12
2 PLC ±.01[0.25]		WEIGHT -	RESTRICTED TO -	
3 PLC ±.005[0.13]		Customer Drawing	SCALE 2:1	SHEET 1 OF 1
4 PLC ±-				REV G
ANGLES ±-				
MATERIAL -				
FINISH -				

X-ON Electronics

Largest Supplier of Electrical and Electronic Components

Click to view similar products for [General Purpose Relays](#) category:

Click to view products by [TE Connectivity](#) manufacturer:

Other Similar products are found below :

[PCN-105D3MH,000](#) [59641F200](#) [LY1SAC110120](#) [5X827E](#) [5X837F](#) [5X840F](#) [5X842F](#) [5X848E](#) [LY2N-AC120](#) [LY2S-AC220/240](#) [LY2-US-AC120](#) [LY3-US-AC120](#) [LY4F-UA-DC12](#) [LY4F-UA-DC24](#) [LY4F-US-AC120](#) [LY4F-US-AC240](#) [LY4F-US-DC24](#) [LY4F-VD-AC110](#) [LYQ20DC12](#) [M115C60](#) [M115N010](#) [M115N0150](#) [6031007G](#) [603-12D](#) [61211T0B4](#) [61212T400](#) [61222Q400](#) [61243B600](#) [61243C500](#) [61243Q400](#) [61311BOA2](#) [61311BOA6](#) [61311BOA8](#) [61311C0A2](#) [61311COA1](#) [61311COA6](#) [61311F0A2](#) [61311QOA1](#) [61311QOA4](#) [61311T0D6](#) [61311TOA6](#) [61311TOA7](#) [61311TOB3](#) [61311TOB4](#) [61311U0A6](#) [61312Q600](#) [61312T400](#) [61312T600](#) [61313U200](#) [61313U400](#)