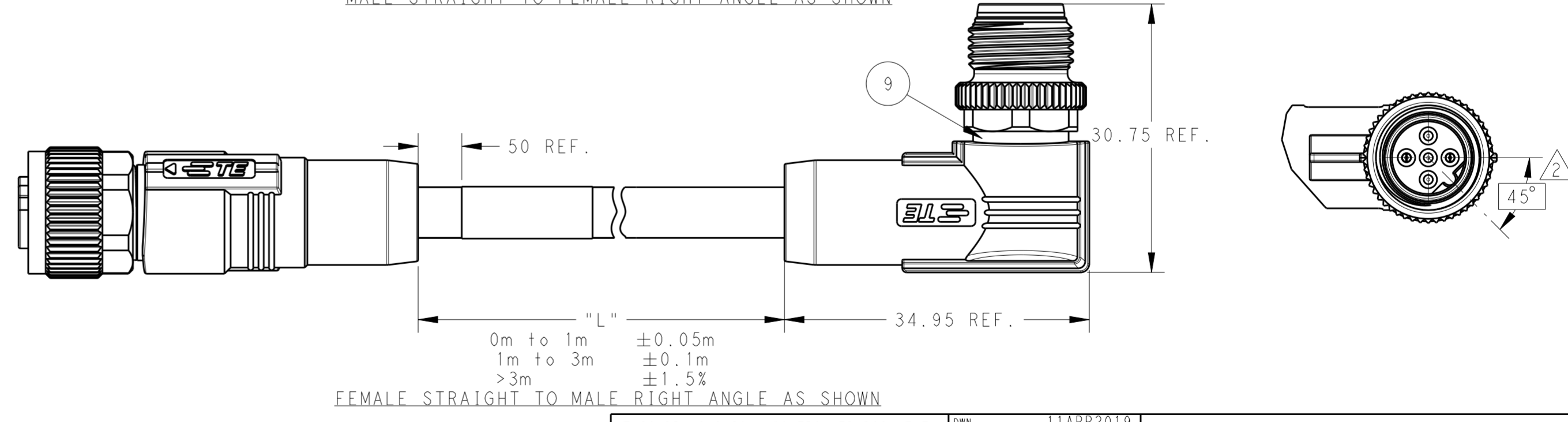
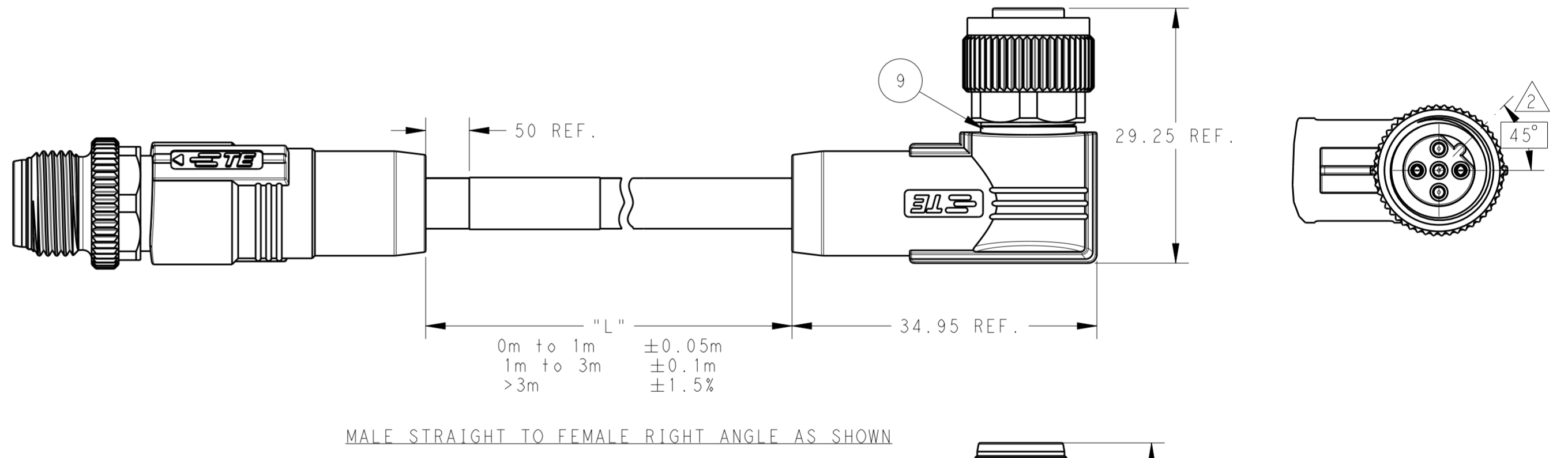
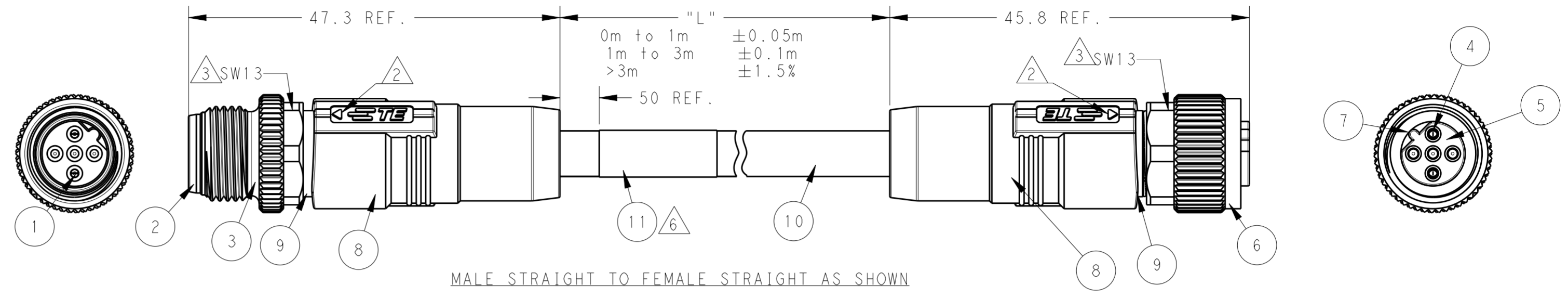


THIS DRAWING IS UNPUBLISHED. RELEASED FOR PUBLICATION 20  
 © COPYRIGHT 20 BY - ALL RIGHTS RESERVED.

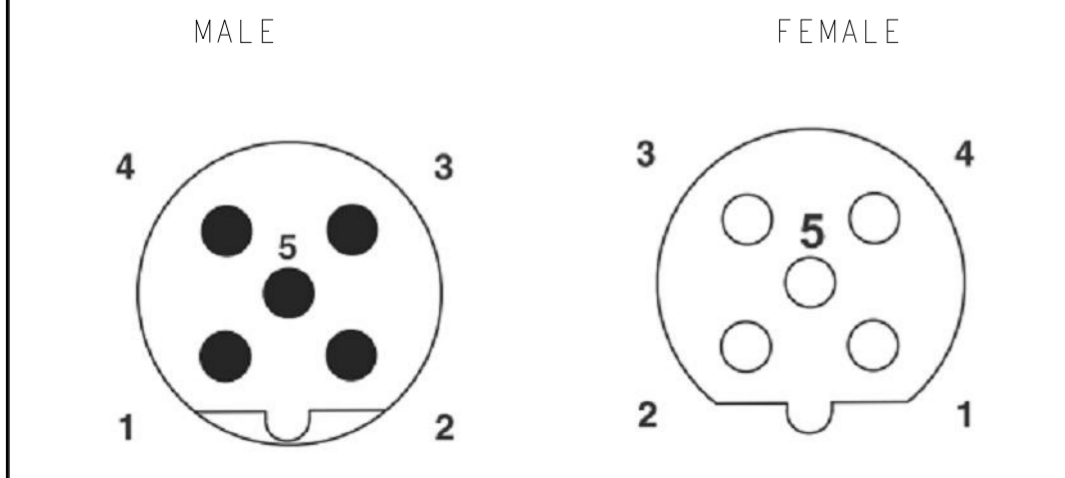
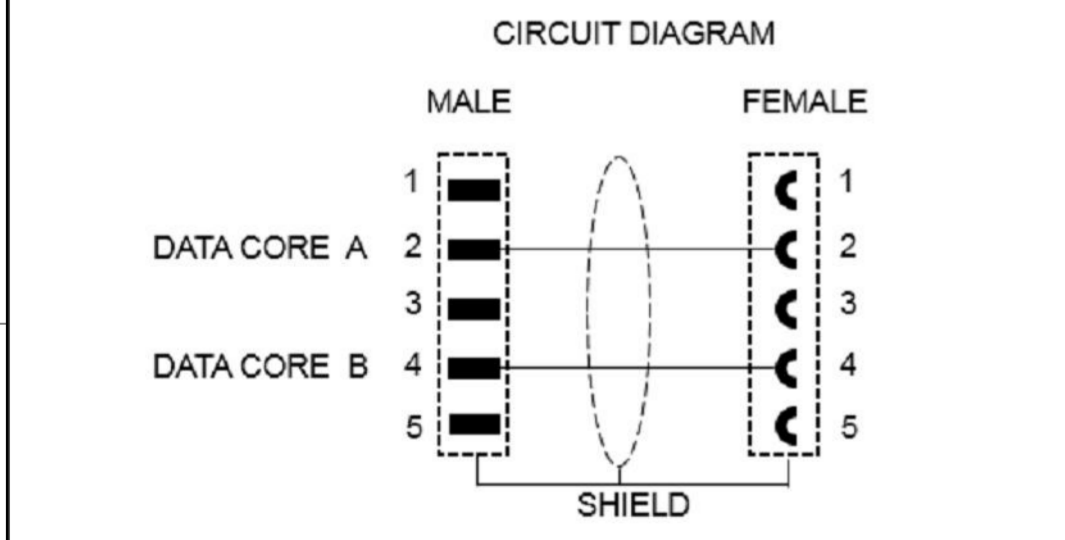
REVISIONS				
P	LTR	DESCRIPTION	DATE	APVD
A		INITIAL RELEASE	01AUG2019	A.Z C.W
A1		CLARIFY TYPICAL PNS	22JUN2020	A.Z C.W

ITEM	DESCRIPTION	MATERIAL	OTHERS
1	MALE CONTACT	COPPER ALLOY	GOLD PLATED
2	MALE HOUSING	NYLON	BLACK
3	MALE NUT	COPPER ALLOY	NICKEL PLATED
4	FEMALE CONTACT	COPPER ALLOY	GOLD PLATED
5	FEMALE HOUSING	NYLON	BLACK
6	FEMALE NUT	COPPER ALLOY	NICKEL PLATED
7	O-RING	SILICONE	GRAY
8	OVER-MOLDING	TPU	BLACK
9	SHIELDED SHELL	COPPER ALLOY	NICKEL PLATED
10	CABLE	PUR	VIOLET
11	LABEL	-	-



CIRCUIT DIAGRAM B-CODE

PIN 2 DATE CORE A GREEN  
 PIN 4 DATE CORE B RED



THIS DRAWING IS A CONTROLLED DOCUMENT.		DWN ALE ZHANG 11APR2019	TE Connectivity
DIMENSIONS: mm		CHK HART HE 11APR2019	
TOLERANCES UNLESS OTHERWISE SPECIFIED:		APVD CHRIS WANG 11APR2019	
0 PLC ± 1 PLC ± 2 PLC ± 3 PLC ± 4 PLC ± ANGLES ± FINISH -		PRODUCT SPEC 108-106140 APPLICATION SPEC 114-137144 WEIGHT - RESTRICTED CUSTOMER	
NAME M12 B CODE CABLE ASSY, SHIELDED 2P, MALE TO FEMALE			RESTRICTED TO
SIZE A2			CAGE CODE -
DRAWING NO. G-TAB62XXX501XXX			SCALE 2:1
SHEET 1 OF 2			REV A1

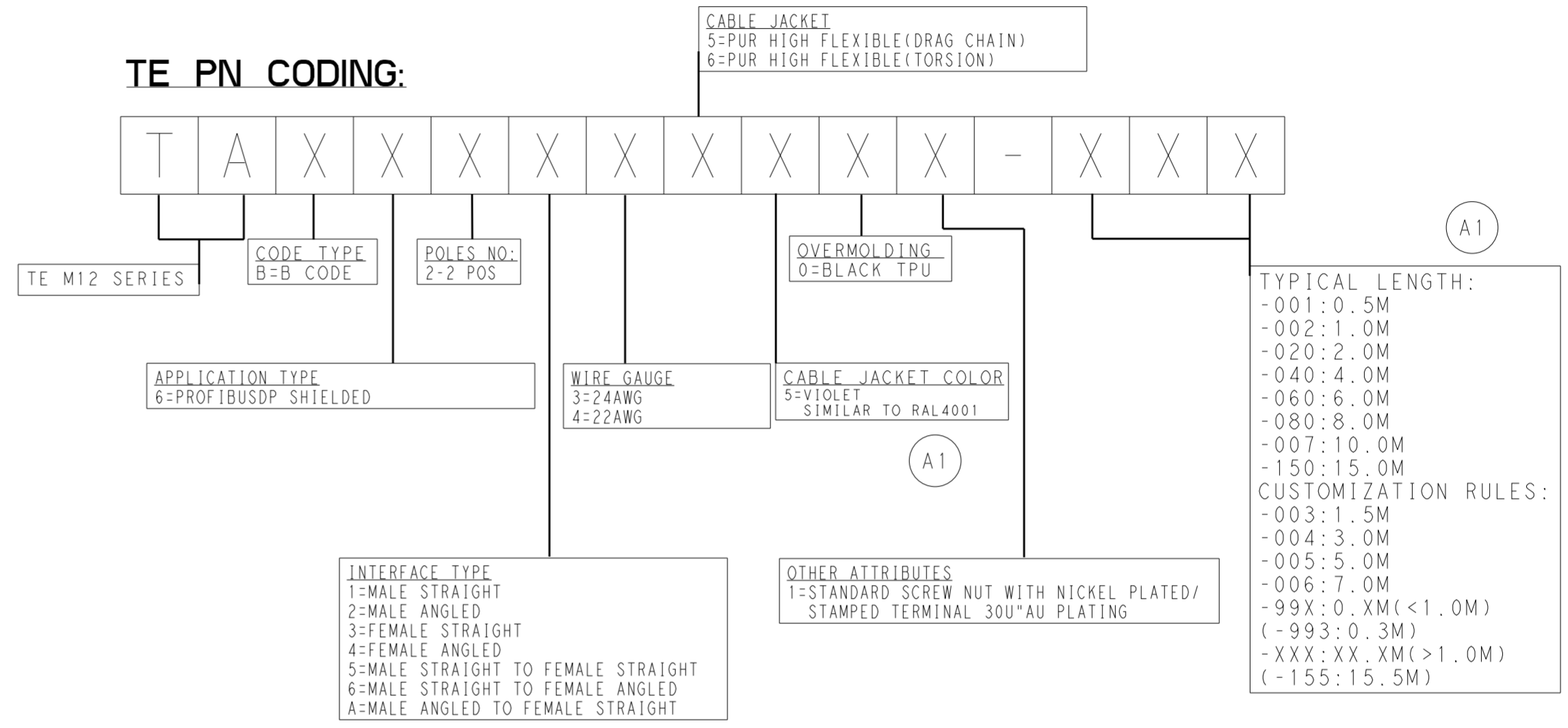
THIS DRAWING IS UNPUBLISHED. RELEASED FOR PUBLICATION 20  
 © COPYRIGHT 20 BY - ALL RIGHTS RESERVED.

REVISIONS					
P	LTR	DESCRIPTION	DATE	DWN	APVD
-		SEE SHEET 1	-	-	-

- NOTE:
- ①. TECHNICAL DATA SEE TABLE 1
  - ②. CODE POSITION INDICATOR
  - ③. RECOMMENDED TORQUE 0.6 Nm
  - ④. -\*\* : CABLE LENGTH, FOR EXAMPLE: -0.5M
  - 5. CABLE ASSEMBLY TO BE PACKAGED IN POLYBAGS
  - ⑥. LABEL CONTAINS: PN, DATE CODE...

- 注释:
- ①. 技术参数参考表 1
  - ②. CODE 位置指示
  - ③. 推荐扭矩 0.6 Nm
  - ④. -\*\* : 线缆长度, 例如: -0.5M
  - 5. 线缆组件塑料袋包装
  - ⑥. 标签包含: 产品编号, 日期代码...

**TE PN CODING:**



WIRES	TYPICAL LENGTH:	JACKET COLOR	JACKET MATERIAL	TYPE	POS.	TABLE 2 TE PN
WIRES: 22AWG WIRE COLOR: RED AND GREEN OD: APPROX. 8.0MM TEMPERATURE RATING: 80°C UL OPERATION TEMP RATING: -25°C To +75°C APPLICATIONS: FLEXIBLE, SUITABLE FOR ±180° TORSION APPLICATION, 5 MILLION CYCLES FOR 1M LENGTH	-001: 0.5M -002: 1.0M -020: 2.0M -040: 4.0M -060: 6.0M -080: 8.0M -007: 10.0M -150: 15.0M CUSTOMIZATION RULES: -003: 1.5M -004: 3.0M -005: 5.0M -006: 7.0M -99X: 0.XM (<1.0M) (-993: 0.3M) -XXX: XX.XM (>1.0M) (-155: 15.5M)	VIOLET	PUR	M12B2-MR-FS-PUR TORSION-**④ - M12B2-MS-FR-PUR TORSION-**④ M12B2-MS-FS-PUR TORSION-**④ M12B2-MR-FS-PUR-**④ M12B2-MS-FR-PUR-**④ M12B2-MS-FS-PUR-**④	2	TAB62A46501-XXX TAB62646501-XXX TAB62546501-XXX TAB62A35501-XXX TAB62635501-XXX TAB62535501-XXX
WIRES: 24AWG WIRE COLOR: RED AND GREEN OD: APPROX. 7.8MM TEMPERATURE RATING: 80°C UL OPERATION TEMP RATING: -40°C To +80°C APPLICATIONS: FLEXIBLE, SUITABLE FOR DRAG CHAIN, MIN. 1 MILLION CYCLES, DIAMETER 75MM, SPEED 2m/s, ACCELERATION 2m/s <sup>2</sup>						
CABLE CHARACTERISTIC	LENGTH "L"	JACKET COLOR	JACKET MATERIAL	TYPE	POS.	TABLE 2 TE PN

TECHNICAL DATA	
RATED VOLTAGE	250V
RATED IMPULSE VOLTAGE	2500V
RATED CURRENT	4A
POLLUTION DEGREE	3
OVERVOLTAGE CATEGORY	II
MATERIAL GROUP	II
DEGREE OF PROTECTION	IP67

THIS DRAWING IS A CONTROLLED DOCUMENT.

DWN: ALE ZHANG 11APR2019	 TE Connectivity
CHK: HART HE 11APR2019	
APVD: CHRIS WANG 11APR2019	
PRODUCT SPEC: 108-106140	
APPLICATION SPEC: 114-137144	NAME: M12 B CODE CABLE ASSY, SHIELDED 2P, MALE TO FEMALE
WEIGHT: -	SIZE: A2
RESTRICTED CUSTOMER	SCALE: 1:1 SHEET 2 OF 2 REV A1

## X-ON Electronics

Largest Supplier of Electrical and Electronic Components

*Click to view similar products for [Sensor Cables / Actuator Cables](#) category:*

*Click to view products by [TE Connectivity](#) manufacturer:*

Other Similar products are found below :

[60963](#) [60964](#) [703000D02F2002](#) [703000D02F300](#) [703001D02F0602](#) [703001D02F1201](#) [703001D02F300](#) [704000D02F120](#) [MDM21SH001F](#)  
[773032K02F030](#) [802027107404-1](#) [802027213811-1](#) [804001A09M150](#) [805001A09M0502](#) [84914-0235](#) [84914-0237](#) [885030A09M010](#)  
[885030A09M020](#) [8R4006A18M010](#) [8R4J30E03C3003](#) [1200650503](#) [1200651713](#) [1200660844](#) [1200660845](#) [1200661173](#) [1200680071](#)  
[1200720053](#) [1200720081](#) [1200720094](#) [1200720099](#) [1200720217](#) [1200800231](#) [1200860125](#) [1200870123](#) [1200650298](#) [1200660183](#)  
[1200660782](#) [1200660849](#) [1200661295](#) [1200661297](#) [1200661343](#) [1200670080](#) [1200680331](#) [1200720252](#) [1200720255](#) [1200720597](#)  
[1200730184](#) [1200860344](#) [1200870359](#) [1200870643](#)