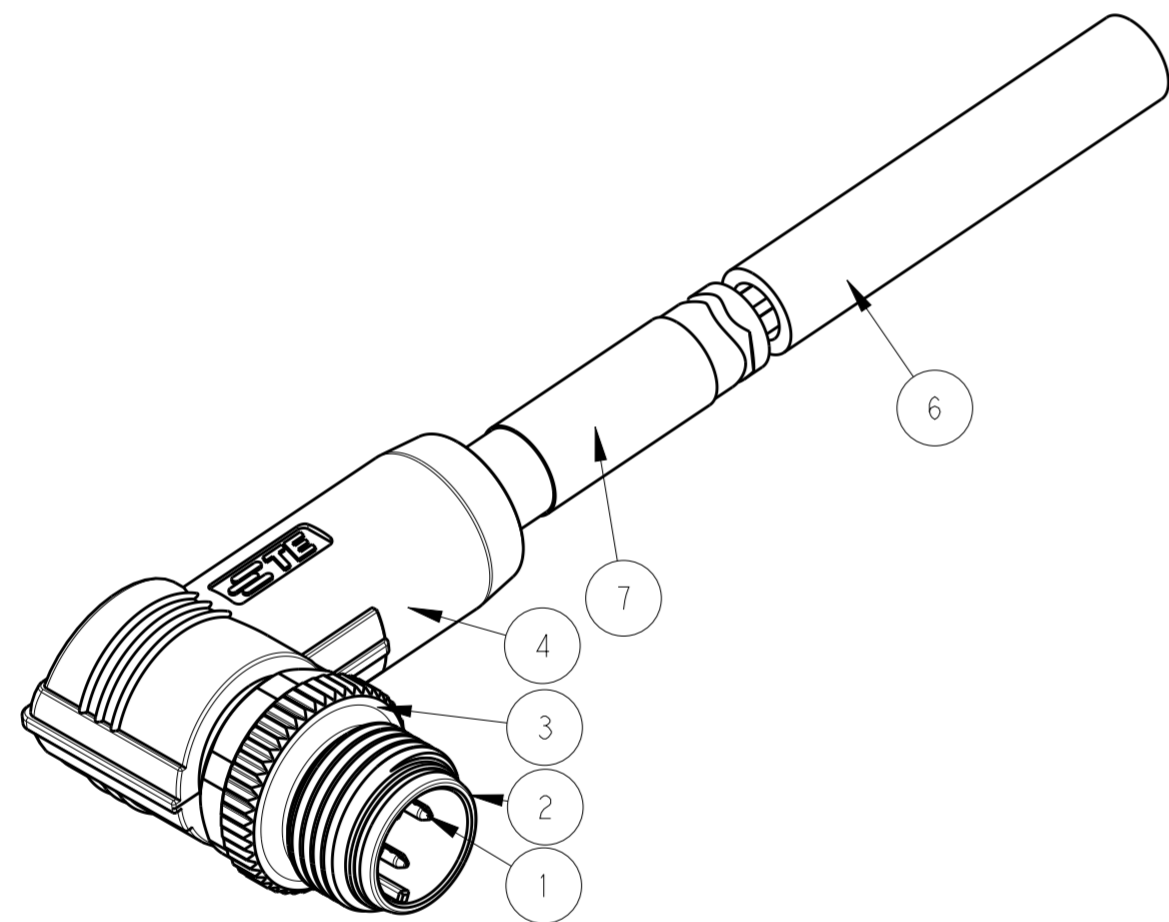
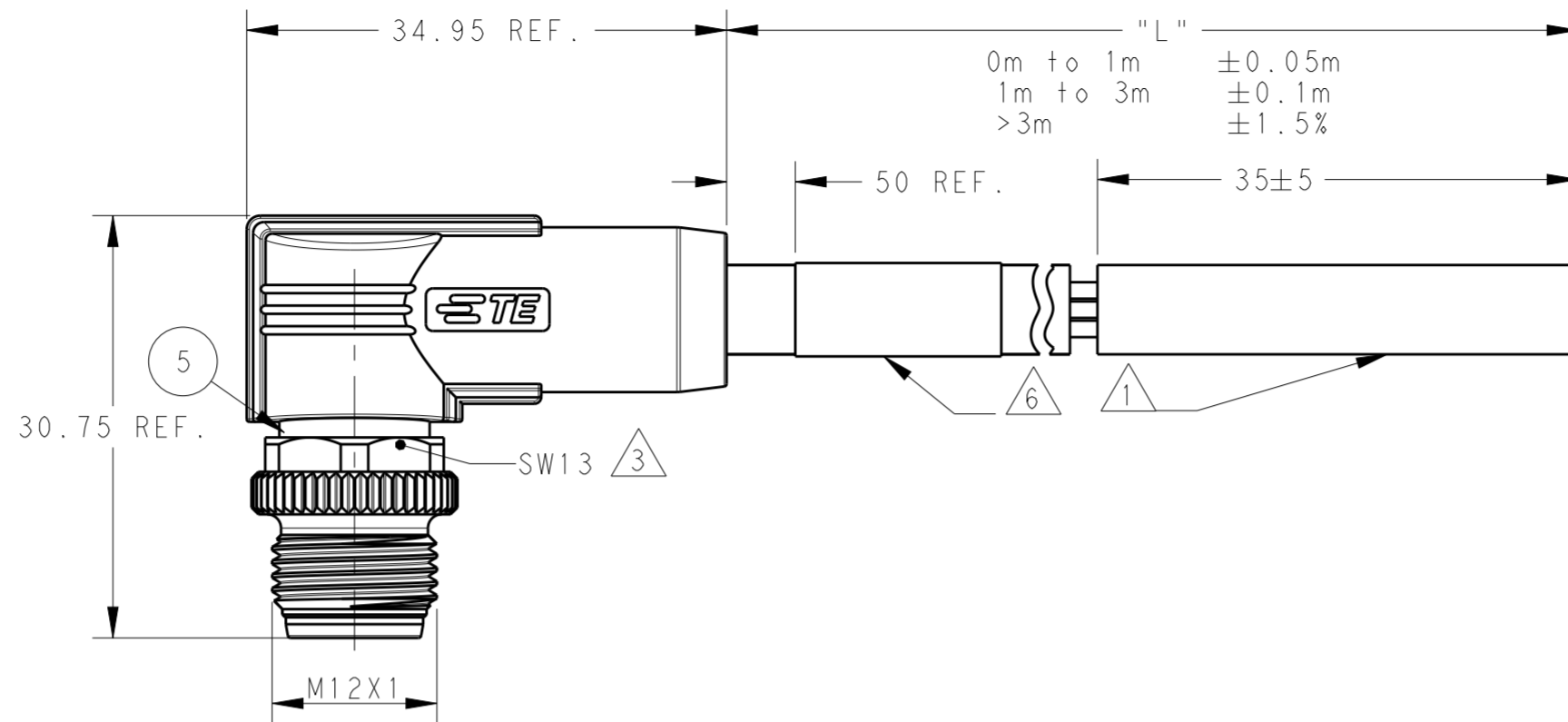
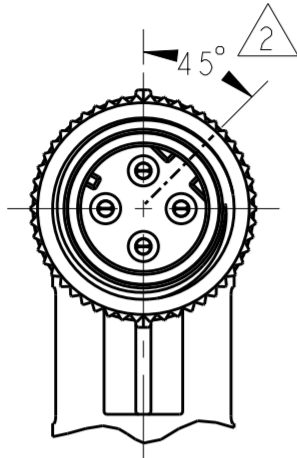


THIS DRAWING IS UNPUBLISHED. RELEASED FOR PUBLICATION 20
 © COPYRIGHT 20 BY - ALL RIGHTS RESERVED.

ITEM	DESCRIPTION	MATERIAL	OTHERS
1	MALE CONTACT	COPPER ALLOY	GOLD PLATED
2	HOUSING	NYLON	BLACK
3	COUPLING NUT	COPPER ALLOY	NICKEL PLATED
4	OVER-MOLDING	TPU/PVC	BLACK
5	SHIELDED SHELL	COPPER ALLOY	NICKEL PLATED
6	CABLE	-	-
7	LABEL	-	-



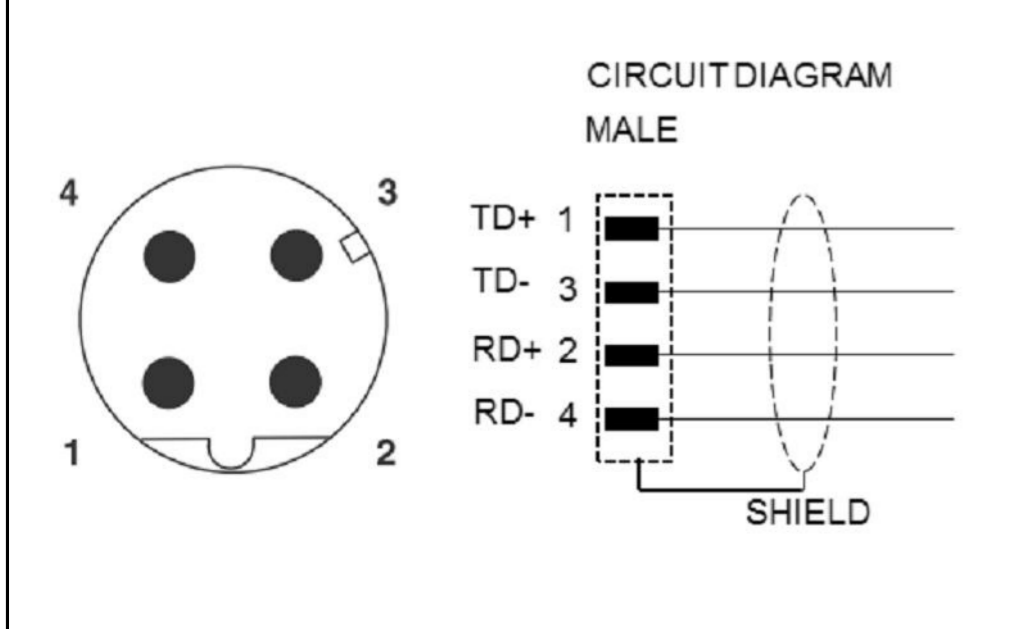
REVISIONS				
P	LTR	DESCRIPTION	DATE	APVD
	A	INITIAL RELEASE	18JUL2019	A.Z C.W
	A1	CORRECT DRAFT ERROR	16OCT2019	A.Z C.W
	A2	CLARIFY TYPICAL PNS	22JUN2020	A.Z C.W

NOTE:
 1. STRIP AND RETAIN THE INSULATION
 2. CODE POSITION INDICATOR
 3. RECOMMENDED TORQUE 0.6 Nm
 4. -** : CABLE LENGTH, FOR EXAMPLE: -0.5M
 5. CABLE ASSEMBLY TO BE PACKAGED IN POLYBAGS
 6. LABEL CONTAINS: PN, DATE CODE...

注释:
 1. 剥线并保留护套绝缘层
 2. CODE位置指示
 3. 推荐扭矩0.6 Nm
 4. -** : 线缆长度, 例如: -0.5M
 5. 线缆组件塑料袋包装
 6. 标签包含: 产品编号, 日期代码...

PIN ARRANGEMENT D-CODE

PIN 1	TD+	YELLOW
PIN 3	TD-	ORANGE
PIN 2	RD+	WHITE
PIN 4	RD-	BLUE



A2

WIRE CHARACTERISTIC	LENGTH "L"	JACKET COLOR	JACKET MATERIAL	TYPE	POS.	TE PN
WIRES: 1X4X22AWG WIRE COLOR: WHITE/YELLOW/BLUE/ORANGE OD: APPROX. 6.5MM TEMPERATURE RATING: 80°C UL OPERATING TEMP RATING: -40°C To +80°C	TYPICAL LENGTH: -001: 0.5M -002: 1.0M -020: 2.0M -005: 5.0M -007: 10.0M -150: 15.0M -200: 20.0M -250: 25.0M -300: 30.0M	RED	PVC	M12D4-MR-PVC TYPE B RED-**4	4	TAD14241311-XXX
WIRES: 1X4X22AWG WIRE COLOR: WHITE/YELLOW/BLUE/ORANGE OD: APPROX. 6.65MM TEMPERATURE RATING: 80°C UL OPERATING TEMP RATING: -30°C To +70°C DRAG CHAIN TEST: MIN. 1 MILLION CYCLES, DIAMETER 75MM, SPEED 2m/s, ACCELERATION 2m/s ²	CUSTOMIZATION RULES: -003: 1.5M -004: 3.0M -005: 5.0M -006: 7.0M -99X: 0.XM (<1.0M) (-993: 0.3M) -XXX: XX.XM (>1.0M) (-155: 15.5M)	GREEN	PUR	M12D4-MR-PUR TYPE C GREEN-**4	4	TAD14245101-XXX
WIRES: 1X4X22AWG WIRE COLOR: WHITE/YELLOW/BLUE/ORANGE OD: APPROX. 6.5MM TEMPERATURE RATING: 80°C UL OPERATING TEMP RATING: -25°C To +80°C		GREEN	FRNC	M12D4-MR-FRNC TYPE B GREEN-**4	4	TAD14247101-XXX
WIRES: 1X4X22AWG WIRE COLOR: WHITE/YELLOW/BLUE/ORANGE OD: APPROX. 6.5MM TEMPERATURE RATING: 80°C UL OPERATING TEMP RATING: -40°C To +80°C		GREEN	PVC	M12D4-MR-PVC TYPE B GREEN-**4	4	TAD14241111-XXX

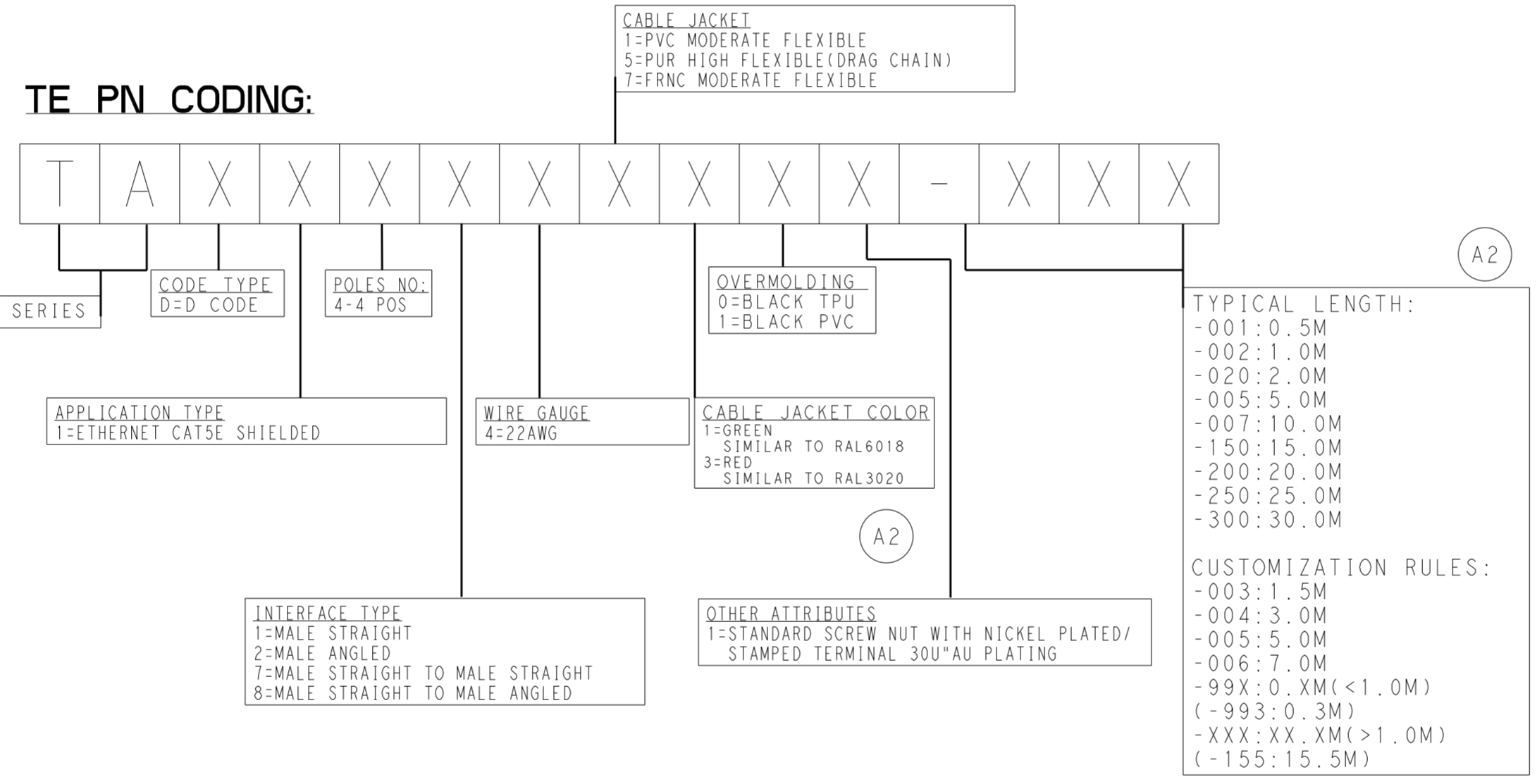
THIS DRAWING IS A CONTROLLED DOCUMENT.

DWN: ALEX ZHANG 11APR2019	TE Connectivity	
CHK: HART HE 11APR2019		
APVD: CHRIS WANG 11APR2019		
NAME: M12 D CODE CABLE ASSY, SHIELDED 4P, MR FREE END		
DIMENSIONS: mm	TOLERANCES UNLESS OTHERWISE SPECIFIED:	PRODUCT SPEC: 108-106140
MATERIAL: -	FINISH: -	APPLICATION SPEC: 114-137144
RESTRICTED CUSTOMER		SCALE: 2:1

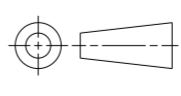

THIS DRAWING IS UNPUBLISHED. RELEASED FOR PUBLICATION 20
 © COPYRIGHT 20 BY - ALL RIGHTS RESERVED.

REVISIONS				
P	LTR	DESCRIPTION	DATE	APVD
-	-	SEE SHEET 1	-	-

TECHNICAL DATA	
RATED VOLTAGE	250V 30V(UL)
RATED CURRENT	4A 1.5A(UL)
POLLUTION DEGREE	3
OVERVOLTAGE CATEGORY	II
MATERIAL GROUP	II
DEGREE OF PROTECTION	IP67



THIS DRAWING IS A CONTROLLED DOCUMENT.

DIMENSIONS: mm 	TOLERANCES UNLESS OTHERWISE SPECIFIED: 0 PLC ± 1 PLC ± 2 PLC ± 3 PLC ± 4 PLC ± ANGLES ±2 FINISH -	DWN ALEX ZHANG 11APR2019	 TE Connectivity
		CHK HART HE 11APR2019	
MATERIAL -		APVD CHRIS WANG 11APR2019	RESTRICTED TO
		PRODUCT SPEC 108-106140	SIZE A2
		APPLICATION SPEC 114-137144	CAGE CODE -
		WEIGHT -	DRAWING NO G-TAD1424XXXXXX
		RESTRICTED CUSTOMER	SCALE 2:1 SHEET 2 OF 2 REV A2

X-ON Electronics

Largest Supplier of Electrical and Electronic Components

Click to view similar products for [Ethernet Cables / Networking Cables](#) category:

Click to view products by [TE Connectivity](#) manufacturer:

Other Similar products are found below :

[MCJB2-10P6Q7-120](#) [84909-0204](#) [1200700174](#) [1200860368](#) [1410147](#) [E16A06002M030](#) [E200102-009-S1](#) [AX105346-EW](#) [MT14-187L](#)
[MWDM2L-51GS-6J1-2.82B](#) [190-038045-01](#) [NK5EPC1GRY](#) [NK5EPC4Y](#) [NK5EPC8BLY](#) [NK5EPC9YLY](#) [1969343-6](#) [ICD056GVP163D-C0](#)
[C5UMB3FBG](#) [2142758-2](#) [2168427-2](#) [21949-1](#) [2J1866A](#) [RJF SFTP 5E 0500](#) [AX100351](#) [UTPCH14GY](#) [45-5684](#) [09459711142](#) [100345-](#)
[1301](#) [MWDM2L-25P-8K1-.500B](#) [MWDM6L-31S-6C4-.375H](#) [73-7793-1](#) [74764-1101](#) [WHU18-3636-048](#) [RJF2SA2G05100BTX](#)
[1R4000A39M030](#) [190-038045-00-SP328](#) [UTPSP6GY](#) [UTPSP2GY](#) [UTPSP10GY](#) [UTPCH5GY](#) [UTP28SP15M](#) [UTP28CH100OR](#)
[74764-2301](#) [E11A06004M300](#) [E66A06002M020](#) [SAC-5P-MS/ 1.0-920/FS SCO AR](#) [1-3636-601-5211](#) [1-3636-600-5212](#) [1-3636-461-5208](#) [1-](#)
[3637-600-5212](#)