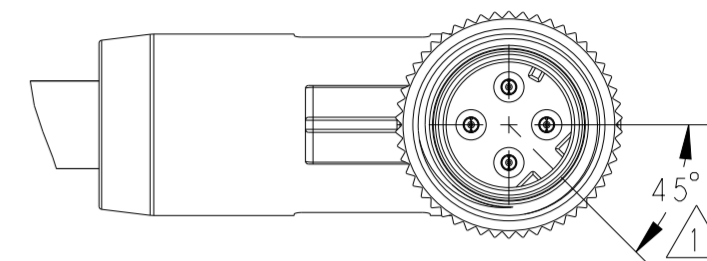
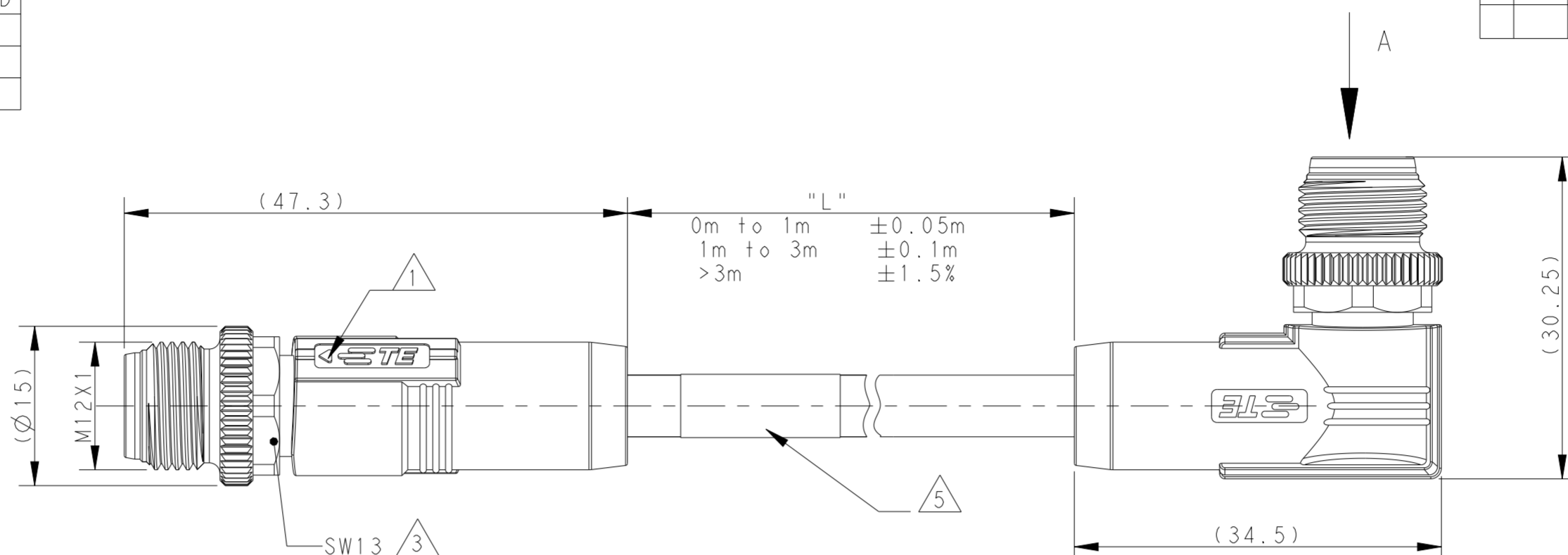
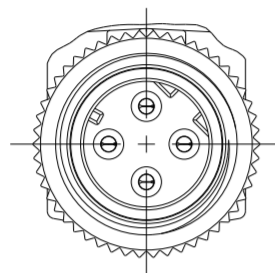
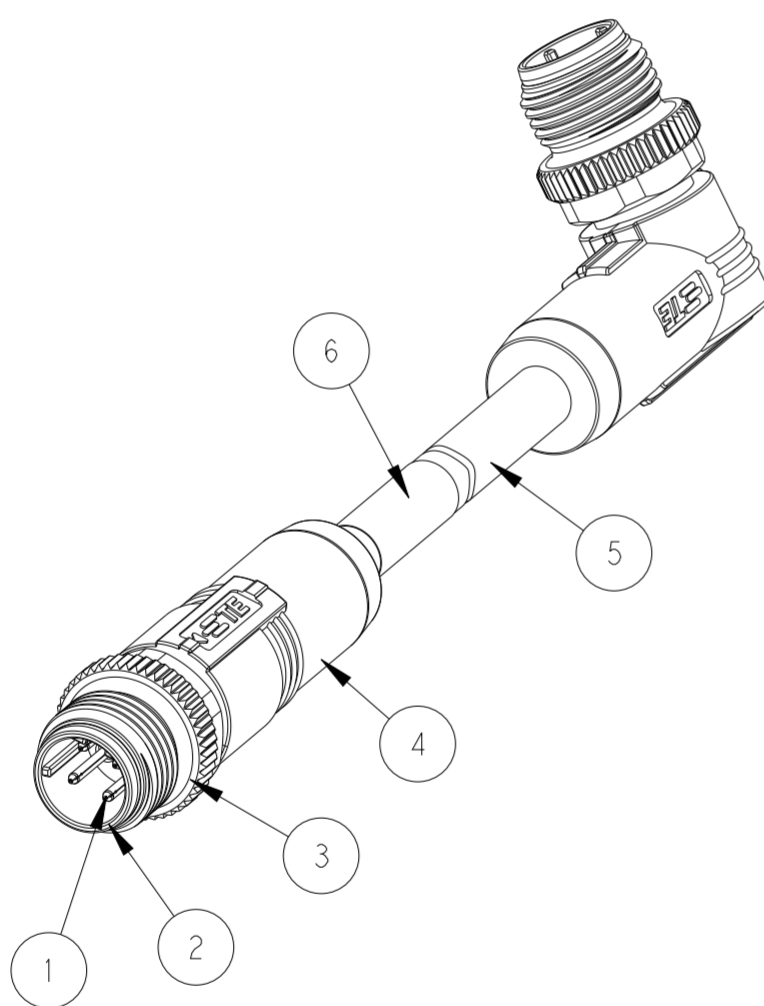


THIS DRAWING IS UNPUBLISHED.		RELEASED FOR PUBLICATION	
© COPYRIGHT 20 BY -		ALL RIGHTS RESERVED.	
ITEM	DESCRIPTION	MATERIAL	OTHERS
1	MALE CONTACT	COPPER ALLOY	GOLD PLATED
2	HOUSING	NYLON	BLACK
3	COUPLING NUT	COPPER ALLOY	NICKEL PLATED
4	OVER-MOLDING	TPU	BLACK
5	CABLE	TPE	TEAL
6	LABEL	-	-

REVISIONS				
P	LTR	DESCRIPTION	DATE	APVD
	A	INITIAL RELEASE	10MAR2021	AZ CW



VIEW FROM DIRECTION A



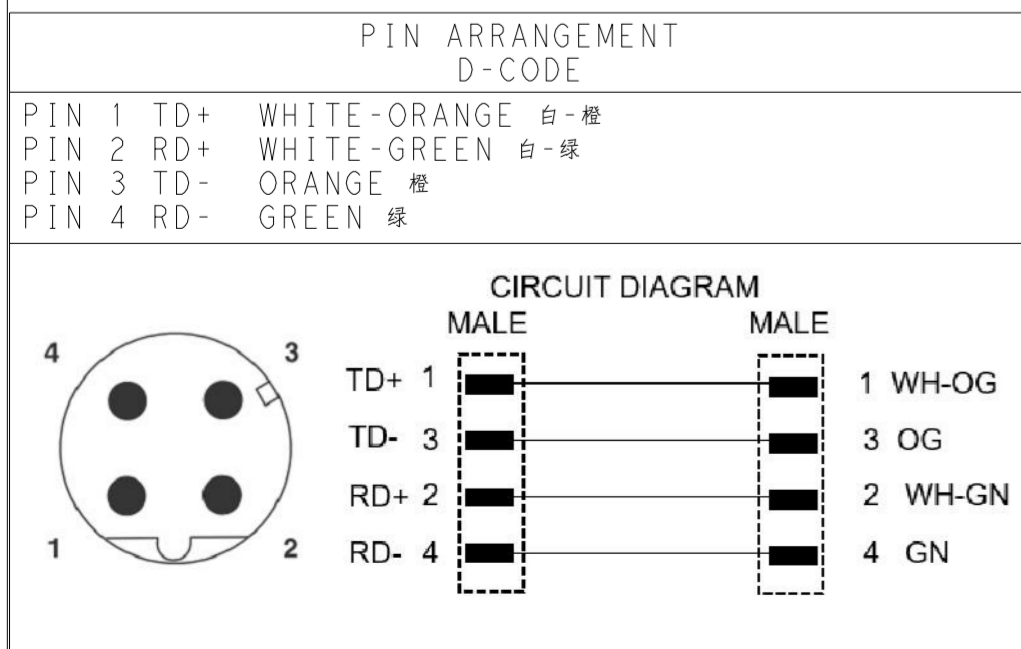
NOTE:

- 1 CODE POSITION INDICATOR
- 2 RECOMMENDED TORQUE 0.6 Nm
- 3 -** : CABLE LENGTH, FOR EXAMPLE: -0.5M
- 4. CABLE ASSEMBLY TO BE PACKAGED IN POLYBAGS
- 5 LABEL CONTAINS: PN, DATE CODE...
- 6 -XXX: FOR CABLE LENGTH, REFER TO LENGTH "L"

注释:

- 1 CODE位置指示
- 2 推荐扭矩0.6 Nm
- 3 -** : 线缆长度, 例如: -0.5M
- 4. 线缆组件塑料袋包装
- 5 标签包含: 产品编号, 日期代码...
- 6 -XXX: 线缆长度, 参照长度"L"

WIRES: 2X2X24AWG WIRE COLOR: GREEN X WHITE/GREEN ORANGE X WHITE/ORANGE OD: APPROX. 6.1MM TEMPERATURE RATING: 80°C UL OPERATING TEMP RATING: -40°C To +80°C C-TRACK: 35 MILLION CYCLE, 4" RADIUS TORSION: 3 MILLION CYCLE (+/-270°)	TYPICAL LENGTH: -001: 0.5M -002: 1.0M -020: 2.0M -005: 5.0M -007: 10.0M -150: 15.0M -200: 20.0M -250: 25.0M -300: 30.0M	TEAL	TPE	M12D4-MS-MR-TPE USH-***3	4	TAD2483A201-XXX6
CUSTOMIZATION RULES: -003: 1.5M -004: 3.0M -006: 7.0M -99X: 0.XM (<1.0M) (-993: 0.3M) -XXX: XX.XM (>1.0M) (-155: 15.5M)	LENGTH "L"	JACKET COLOR	JACKET MATERIAL	TYPE	POS.	TE PN



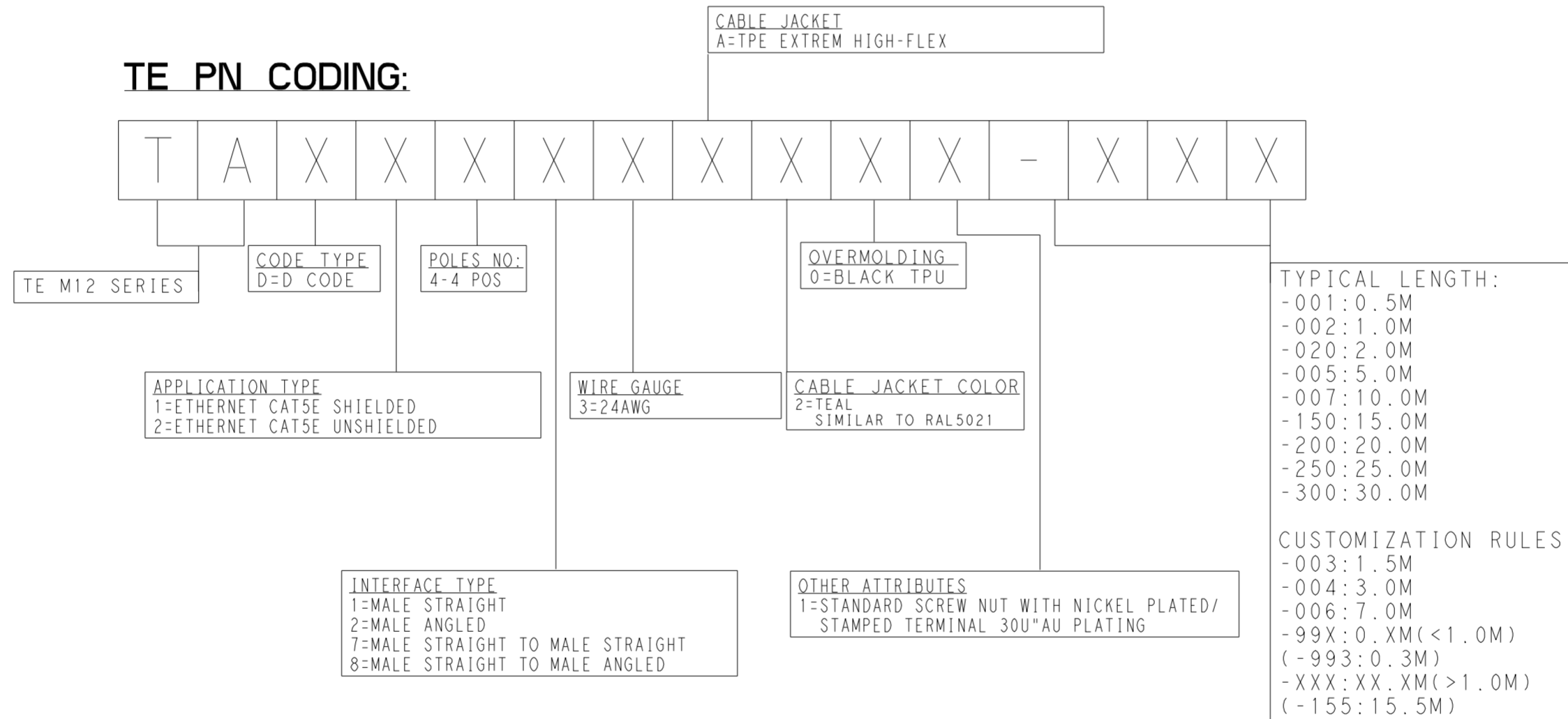
THIS DRAWING IS A CONTROLLED DOCUMENT.		DWN ALEX ZHANG 14 JAN 2021	TE Connectivity	
DIMENSIONS: mm		CHK HART HE 14 JAN 2021		
TOLERANCES UNLESS OTHERWISE SPECIFIED:		APVD CHRIS WANG 14 JAN 2021	NAME M12 D CODE CABLE ASSY, UNSHIELDED 4P, MS TO MR	
0 PLC ± 1 PLC ± 2 PLC ± 3 PLC ± 4 PLC ± ANGLES ±		PRODUCT SPEC 108-106140	SIZE A2	
MATERIAL -		FINISH -	APPLICATION SPEC 114-137144	DRAWING NO G-TAD2483A201XXX
-		WEIGHT -	RESTRICTED TO	SCALE 2:1 SHEET 1 OF 2 REV A
-		CUSTOMER DRAWING		

THIS DRAWING IS UNPUBLISHED. RELEASED FOR PUBLICATION 20
 © COPYRIGHT 20 BY - ALL RIGHTS RESERVED.

REVISIONS				
P	LTR	DESCRIPTION	DATE	APVD
-	-	SEE SHEET 1	-	-

TECHNICAL DATA	
RATED VOLTAGE	250V 30V(UL)
RATED CURRENT	4A 1.5A(UL)
POLLUTION DEGREE	3
OVERVOLTAGE CATEGORY	II
MATERIAL GROUP	II
DEGREE OF PROTECTION	IP67

TE PN CODING:



THIS DRAWING IS A CONTROLLED DOCUMENT.		DWN ALEX ZHANG 14 JAN 2021	TE Connectivity	
DIMENSIONS: mm		CHK HART HE 14 JAN 2021		
		APVD CHRIS WANG 14 JAN 2021	NAME M12 D CODE CABLE ASSY, UNSHIELDED 4P, MS TO MR	
TOLERANCES UNLESS OTHERWISE SPECIFIED: 0 PLC ± 1 PLC ± 2 PLC ± 3 PLC ± 4 PLC ± ANGLES ± FINISH		PRODUCT SPEC 108-106140	RESTRICTED TO	
MATERIAL		APPLICATION SPEC 114-137144	SIZE A2	CAGE CODE -
		WEIGHT -	DRAWING NO G-TAD2483A201XXX	
		CUSTOMER DRAWING	SCALE 2:1	SHEET 2 OF 2
			REV A	

X-ON Electronics

Largest Supplier of Electrical and Electronic Components

Click to view similar products for [Ethernet Cables / Networking Cables](#) category:

Click to view products by [TE Connectivity](#) manufacturer:

Other Similar products are found below :

[73-6670-7](#) [73-6680-15](#) [73-7797-25](#) [MCJB2-10P6Q7-120](#) [84909-0204](#) [1200700174](#) [1200860368](#) [E16A06002M030](#) [E200102-009-S1](#)
[AX105346-EW](#) [MT14-187L](#) [17-103530](#) [ERWPAB3002M005](#) [190-038045-01](#) [NK5EPC18RDY](#) [NK5EPC18VLY](#) [NK5EPC18YLY](#)
[NK5EPC1GRY](#) [NK5EPC4Y](#) [NK5EPC6YLY](#) [NK5EPC8BLY](#) [NK5EPC9YLY](#) [1969343-6](#) [C501100010](#) [C501106002](#) [C501106007](#)
[C501106015](#) [C501106025](#) [C601102010](#) [C601104010](#) [C601106007](#) [C601106015](#) [2142758-2](#) [2168427-2](#) [CAT1106007](#) [21949-1](#) [2J1866A](#)
[RJF SFTP 5E 0500](#) [AX100351](#) [MN14CEC/ST](#) [C501100015](#) [C501106004](#) [C501106010](#) [C5F1108007](#) [C601104004](#) [C601106004](#)
[CA21106004](#) [CA21106010](#) [CA21106015](#) [CA21109007](#)