

Interconnect Solutions Worldwide



38999 STYLE CIRCULAR BACKSHELLS

NCAGE Code U5792 www.polamco.com





From 1976 beginnings to the present day.

Polamco was founded in 1976 by David Polson as a high precision manufacturing engineering company.

As a qualified design engineer, David saw the opportunity to create a company that could design and manufacture its own products. He saw the interconnection market as the way forward for Polamco, where it could offer innovative design, competitive pricing and quality products, underpinned with excellent customer service.

Today Polamco is a world renowned backshell and connector manufacturer dedicated to servicing customers through design, quality, service and reliability. A flexible workforce, 24-hour working and the latest machine tools ensures that Polamco makes continued customer requirements a reality.

Investment in state-of-the-art machine tools is essential to Polamco's business success, with CNC machines, the majority of which are under five years old.

The company invests in its own people through its in-house training courses, continuous improvement and open and honest communication between the senior management and shop floor personnel.

It's the people at Polamco that make our success possible. We provide an equal opportunity workplace and create an environment where employees share a sense of ownership. We are dedicated towards pursuing business interests worldwide in a socially and environmentally responsible manner and in accordance with high standards of legal and ethical conduct.

Managing Director

"The success of the company has been the ability to react to customers' requirements in an efficient manner, turning an enquiry into a design concept and, in a matter of hours, a competitively priced product."

David Polson, Chairman



From high above the earth, to deep below the sea. From static to high speed requirements, Polamco products are proven worldwide in varied and demanding environments.

Polamco design, manufacture and supply a wide range of interconnection products to markets worldwide. These include aerospace, defence, communications, automotive, industrial, medical, mass transit, shipbuilding, oil and space.



- Circular Backshells
- Rectangular Backshells
- Aerospace Backshells
- Pull Break Connectors
- Torque Differential Connectors - High Vibration
- Integral Backshell Connectors
- RJ45 and USB Connectors
- High Temperature Connectors
- Hermetic and Filtered Connectors
- Fibre Optic Connectors
- Tooling
- Heat Shrink Kits
- Protection Covers
- Blanking Cans
- Dummy Receptacles
- Conduit Systems
- Nomex Lacing Tape
- Heat Shrink Boots
- High Temperature Sleeving
- Cable Protection
- Adhesives
- Screenbraid



From a range of ready-to-order items...

The Polamco product range is continually being updated with new designs and technical information can be found at www.polamco.com.

The flexible manufacturing system allows Polamco's distributor network to keep the popular ranges in stock on a Kanban system allowing next day delivery to meet customers' specific demands.

Our modern, highly computerised, machine shop manufactures components and assemblies of the highest quality for customers throughout the world.

Our continuous investment programme ensures the provision of a sophisticated and highly flexible 'design-to-delivery' manufacturing facility utilising state of the art CNC multi-axis lathes and machining centres.

NCAGE Code U5792
NATO Stock Numbers

assigned to over 2000 of our parts.

Contact sales@polamco.com for more information.

91 Series Spring Adaptor
Interface H

To fit typical connector: MIL-DTL-38999 SERIES III & IV

Polamco
Interconnect Solutions Worldwide

ANGLE 1
30.00 ± 0.25

ANGLE 2

ANGLE 3

CIRCLIP
SILICONE O RING

CONSTANT FORCE SPRING (TABLE 3)

Ø 50 ± 0.20

Tel: +44 (0)845 017 1545

DRAWING NOT TO SCALE
DIMENSIONS IN MM

THIS DRAWING IS THE COPYRIGHT AND THE PROPERTY OF POLAMCO LTD. IT MUST NOT BE COPIED, USED FOR MANUFACTURE OR OTHERWISE DISCLOSED WITHOUT WRITTEN CONSENT OF THE COMPANY

THIS DRAWING IS THE COPYRIGHT AND THE PROPERTY OF POLAMCO LTD. IT MUST NOT BE COPIED, USED FOR MANUFACTURE OR OTHERWISE DISCLOSED WITHOUT WRITTEN CONSENT OF THE COMPANY

EXAMPLE PART NUMBER

91 = POLAMCO SERIES
 91 = CONNECTOR TYPE
 1 = ANGLE- 1 = SPR
 3 = SPR
 3 = SPR

SHELL SIZE

SHELL SIZE	THREAD
09	M12 x 1.0
13	M16 x 1.0
15	M18 x 1.0
16	M20 x 1.0
17	M22 x 1.0
18	M24 x 1.0
20	M28 x 1.0
23	M34 x 1.0
25	M37 x 1.0

ENTRY SIZE

ENTRY SIZE	G MIN
03	4.3
04	6.7
05	7.1
06	7.1
07	7.1
08	7.1
09	7.1
10	7.1
11	7.1
12	7.1
13	7.1

TABLE 1 MAX UNCONSTRAINED

SPRING REF	MAX UNCONSTRAINED
HE 050	8.0
HE 200	12.8
HE 300	17.9
HE 400	22.8



...to customised solutions.

Our keen awareness of our customers' changing needs has resulted in the creation of our dedicated in-house research and development engineering team. Using our CAD/CAM facilities, Polamco's design department can provide comprehensive interconnect solutions for the most demanding applications. Our experienced engineers are ready to produce 3D product development models and design drawings for customer review within hours of receiving the enquiry.





From AS9100 registration... to customer appreciation

Quality is at the heart of the Polamco corporate philosophy and the company holds an impressive array of customer specific and product approvals.

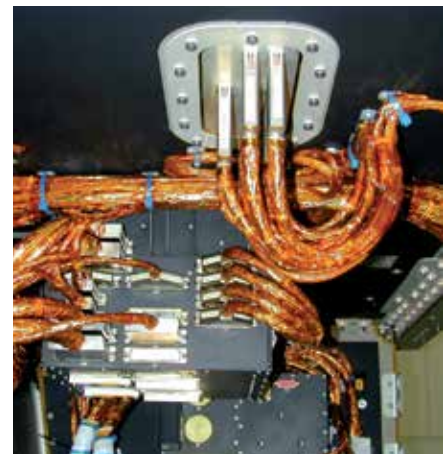
AS9100-Rev C
ISO9001:2008
SC21 Bronze Award
VG95319-1011

Customer approvals include:

BAE
 General Dynamics
 EADS Astrium
 Northrop Grumman
 Thales
 Ultra
 Rolls-Royce

Polamco is registered to design, manufacture, stock and distribute cable harness accessories (connector backshells for open, heatshrink, environmentally sealed, EMC/RFI and conduit harnesses) and sub-contract machining, as well as circular and rectangular connectors for the aerospace and defence industries.

Rockwell Collins
 GKN Aerospace
 Bombardier
 Lockheed Martin
 Cobham
 UTC Aerospace Systems
 General Atomics
 SpaceX



More than a supplier and manufacturer, Polamco has been central to the success of R&D programmes worldwide.

Product Information

Screened Backshell Product Finder.....	8
Non-Screened Backshell Product Finder.....	14
Part Numbering System.....	16
Calculating Wire Bundle Diameter.....	17
Material & Plating.....	18
Standard Derivatives: Modification Codes.....	20
Standard Derivatives: Style T2 & T3 Adaptors.....	21
Connector Interface Table.....	22
RoHS Statement.....	27

PAGE 8

Screened

Screened Backshell Product Finder on page 8

Band.....	30
Spring.....	106
Memory Ring.....	126
Braid Trap.....	144
Braid Tail.....	156
Mesh Tape.....	166
Cone.....	186
TAK.....	263



PAGE 29

Non-Screened

Non-Screened Backshell Product Finder on page 14

Strain Relief.....	1
Heat Shrink Boot.....	25
Grommet Compression Nut.....	45



PAGE 275

Conduit Backshells & Conduit

Conduit Backshells	324
Non-Metallic Conduit	330



PAGE 323

Thread Adaptors & Extenders

Thread Adaptors	1
Extenders	11



PAGE 333

Associated Products

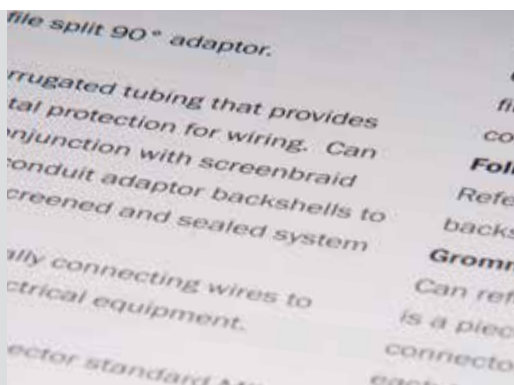
Screen Termination Band	2
Screenbraid	3
Adhesives	5
Heat Shrink Boots - Straight Shapes with Rib - VG Style	7
Heat Shrink Boots - Right-Angle Shapes with Rib - VG Style	8



PAGE 1

Glossary & Index

Glossary & Terms	356
Index	359











PAGE 356

Interconnect Solutions Worldwide

SERIES

STANDARD SERIES ARE HIGHLIGHTED

	Screen Termination				Strain Relief		Cable Sealing		Additional Components Required	
	Overall Screen	Individual or Multiple Screens	Tool-free	Reworkable	Cable Clamp	Tie Post	Heat Shrink Boot Option	Compression Grommet	Boot	Band
BT <ul style="list-style-type: none"> Screen termination by stainless steel band Sealing and strain relief by heat shrink boot Standard range - many sizes available from stock 	•						•		•	•
MB <ul style="list-style-type: none"> Designed specifically for micro band, backshell is 5mm shorter than equivalent BT backshell Sealing and strain relief by heat shrink boot 	•						•		•	•
DB <ul style="list-style-type: none"> Double band platform for optimum termination of two distinct overall screens Sealing and strain relief by heat shrink boot 	•	•					•		•	•
88 <ul style="list-style-type: none"> Screen termination by standard stainless steel band Strain relief by screw-on cable clamp "can" "Can" provides protection of screen termination area 	•				•					•
89 <ul style="list-style-type: none"> Double band platform for optimum termination of two distinct overall screens Strain relief by screw-on cable clamp "can" "Can" provides protection of screen termination area 	•	•			•					•
VG <ul style="list-style-type: none"> Backshells in accordance with VG95319-1011 Sealing and strain relief by heat shrink boot Optional conduit insert for VG-style conduit 	•						•		•	•
AP <ul style="list-style-type: none"> Screen termination by standard stainless steel band European preferred style, without band retention lip Sealing and strain relief by heat shrink boot 	•						•		•	•
DS <ul style="list-style-type: none"> Individual and overall screen termination Individual screens terminated inside the backshell, close to the connector in order to minimise cross-talk 	•	•					•		•	•

BAND

Screened Backshell Product Finder



Interconnect Solutions Worldwide

VERSION







STANDARD VERSIONS
ARE HIGHLIGHTED

	Straight	45°	90°	Spin Coupling	Anti-Decoupling	Low Profile	VG Approved	HE308 Standard	38999 SERIES		
									I	II	III & IV
									PAGE		
BT - Band Termination	•	•	•	•					30	32	34
BT (CE) - Die Cast Swept Elbow			•	•							36
BT (LP-EB) - Low Profile EB Weld			•	•		•					37
BT (SS) - Stainless Steel	•	•	•	•							38
BT (NB) - Nickel Aluminium Bronze	•	•	•	•							40
XBT - Composite	•			•	•				42	43	44
XBT (-F) - Composite	•										45
BT (AD) - Anti-Decoupling	•	•	•	•	•				46	48	50
BT (3C) - Cobra Head			•	•		•			52		53
MB - Micro Band Termination	•	•	•	•					54	56	58
DB - Double Band Termination	•	•	•	•					60	62	64
88 - Band-In-A-Can	•	•	•	•					66	68	70
88 (L25) - Micro Band-In-A-Can	•			•		•			72	73	74
88 (3C) - Cobra Head			•	•					75		76
89 - Double Band-In-A-Can	•	•	•	•					78	80	82
PVG1AH1 - Band Termination	•			•			•				84
PVG1BH3 - Band Termination (90°)			•	•			•				85
PVG1GH1 - Band Termination	•			•			•				86
PVG1HH3 - Band Termination (90°)			•	•			•				87
PVG1Z - VG Conduit Adaptor Insert				•			•				88
PVG1DH1 - Low Profile / Step-Up Entry	•			•		•	•				89
AP - Band Termination	•	•	•	•					90		92
DS - Internal & External Band Termination	•			•					94	96	98
DS (T3) - Style 2	•			•					100	102	104

Interconnect Solutions Worldwide

SERIES

STANDARD SERIES ARE HIGHLIGHTED

	SERIES	Description	Screen Termination				Strain Relief		Cable Sealing		Additional Components Required	
			Overall Screen	Individual or Multiple Screens	Tool-free	Reworkable	Cable Clamp	Tie Post	Heat Shrink Boot Option	Compression Grommet	Boot	Band
SPRING	91	<ul style="list-style-type: none"> Tool-free screen termination by stainless steel constant-force spring Sealing and strain relief by heat shrink boot Standard range - many sizes available from stock 	•		•	•				•		
MEMORY RING	60	<ul style="list-style-type: none"> Low-profile screen termination by heat-shrink memory metal ring Pre-terminated screenbraid sock version available Sealing and strain relief by heat shrink boot 	•							•		
BRAID TRAP	95	<ul style="list-style-type: none"> Tool-free 360° screen termination by "barrel thread" braid trap system Sealing and strain relief by heat shrink boot Cable clamp version also available 	•		•	•	•			•		
BRAID TAIL	70	<ul style="list-style-type: none"> Pre-terminated screenbraid sock High-reliability low-profile magna-form ring termination Sealing and strain relief by heat shrink boot 	•		•	•				•		
MESH TAPE	KMA*	<ul style="list-style-type: none"> 360° termination of multiple individual screens Mesh tape bundle system creates windowless EMI barrier even without overall screenbraid Sealing and strain relief by heat shrink boot 	•	•	•	•				•		
	KMCC*	<ul style="list-style-type: none"> 360° termination of multiple individual screens Mesh tape bundle system creates windowless EMI barrier even without overall screenbraid Strain relief by cable clamp: Tool-free assembly and re-work 	•	•	•	•	•					

* MANUFACTURED UNDER LICENCE 'AGUSTAWESTLAND HELICOPTERS UK PATENT 2239358'

Screened Backshell Product Finder



Interconnect Solutions Worldwide

VERSION

STANDARD VERSIONS
ARE HIGHLIGHTED

VERSION	Straight	45°	90°	Spin Coupling	Anti-Decoupling	Low Profile	VG Approved	HE308 Standard	38999 SERIES		
									I	II	III & IV
									PAGE		
91 - Spring Termination	•	•	•	•					106	108	110
91 (CE) - Die Cast Swept Elbow			•	•							112
91 (LP-EB) - Low Profile EB Weld			•	•		•					113
91 (SS) - Stainless Steel	•	•	•	•							114
91 (NB) - Nickel Aluminium Bronze	•	•	•	•							116
X91 - Composite	•			•	•				118	119	120
91 (3C) - Cobra Head			•	•		•			122		123
91 - 440 Profile	•	•	•	•							124
60 - Memory Ring Termination	•	•	•	•					126	128	130
60 (SS) - Stainless Steel	•	•	•	•							132
60 (NB) - Nickel Aluminium Bronze	•	•	•	•							134
60 (T6) - Pre-Terminated Braid Tail	•	•	•	•					136	138	140
60 (3C) - Cobra Head			•	•		•					142
95 - Braid Trap Termination	•	•	•	•					144	146	148
95 (SS) - Stainless Steel	•	•	•	•							150
95 (NB) - Nickel Aluminium Bronze	•	•	•	•							152
95 (3C) - Cobra Head			•	•		•			154		155
70 - Braid Tail Backshell	•	•	•	•					156	158	160
70 (SS) - Stainless Steel	•	•	•	•							162
70 (NB) - Nickel Aluminium Bronze	•	•	•	•							164
KMA - Mesh Tape Termination	•	•	•	•					166	168	170
KMA (D) - Double Slot version	•	•	•	•					172	174	176
KMCC - Mesh Tape Cable Clamp	•	•	•	•					178	180	182










Interconnect Solutions Worldwide

SERIES

STANDARD SERIES ARE HIGHLIGHTED

CONE

TAK

SERIES	Screen Termination				Strain Relief		Cable Sealing		Additional Components Required	
	Overall Screen	Individual or Multiple Screens	Tool-free	Reworkable	Cable Clamp	Tie Post	Heat Shrink Boot Option	Compression Grommet	Boot	Band
308 • Screen termination using two overlapping cones • Sealing and strain relief by heat shrink boot 	•		•	•			•		•	
318 • Individual and overall screen termination using three overlapping cones • Similar space envelope to 308 series • Sealing and strain relief by heat shrink boot 	•	•	•	•			•		•	
VG • Backshells in accordance with VG95319-1011 • Screen termination using cone-shaped nut • Sealing and strain relief by heat shrink boot 	•		•	•			•		•	
64 • Individual screen termination using castellated cone • Sealing and strain relief by heat shrink boot • Cable clamp version also available 		•	•	•	•		•			
35 • Screen termination using two cones • IP68 cable sealing grommet housed in separate chamber to cones • Strain relief by cable clamp: Tool-free assembly and re-work 	•		•	•	•			•		
36 • Two or three cone option for individual plus optional overall screen termination • IP68 cable sealing grommet housed in separate chamber to cones • Strain relief by cable clamp: Tool-free assembly and re-work 	•	•	•	•	•			•		
39 • Screen termination using single cone • IP68 cable sealing grommet housed in separate chamber to cone • Strain relief by cable clamp: Tool-free assembly and re-work 	•		•	•	•			•		
CS64 • Individual screen termination using castellated cone • IP68 cable sealing grommet housed in separate chamber to cone • Strain relief by cable clamp: Tool-free assembly and re-work 		•	•	•	•			•		
TAK • Screened backshell with pre-installed heatshrink boot • Quick and easy installation • High-reliability magna-form screen termination 	•		•				•			

Screened Backshell Product Finder



Interconnect Solutions Worldwide

VERSION











STANDARD VERSIONS
ARE HIGHLIGHTED

VERSION	Straight	45°	90°	Spin Coupling	Anti-Decoupling	Low Profile	VG Approved	HE308 Standard	38999 SERIES		
									I	II	III & IV
									PAGE		
308 - Dual Cone Termination	•	•	•	•					186	188	190
308 (NB) - Nickel Aluminium Bronze	•	•	•	•							192
318 - Triple Cone Termination	•			•					194	195	196
PVG1CH1 - Cone Termination			•	•			•				198
PVG1FH1 - Cone Termination			•	•		•	•				199
64 - Cone Clamp Termination	•	•	•	•					200	202	204
64 (SS) - Stainless Steel	•	•	•	•							206
64 (NB) - Nickel Aluminium Bronze	•	•	•	•							208
64 - Step-Up / Step-Down version	•	•	•	•					210	212	214
64 (SS) - Step-Up / Step-Down version	•	•	•	•							216
64 (NB) - Step-Up / Step-Down version	•	•	•	•							218
35 - Cone Clamp Cable Sealing Backshell	•	•	•	•					220	222	224
35 (NE) - Non-Environmental	•	•	•	•					226	228	230
36 - Cone Clamp Cable Sealing Backshell	•	•	•	•					232	234	236
36 (NE) - Non-Environmental	•	•	•	•					238	240	242
39 - Cone Clamp Cable Sealing Backshell	•	•	•	•					244	246	248
39 (NE) - Non-Environmental	•	•	•	•					250	252	254
CSG4 - Cone Clamp Cable Sealing Backshell	•	•	•	•					256	258	260
TAK - Heat Shrink Backshell Kit	•	•	•	•					264	266	268
TAK (SS) - Stainless Steel	•	•	•	•							270
TAK (NB) - Nickel Aluminium Bronze	•	•	•	•							272

Interconnect Solutions Worldwide

SERIES

STANDARD SERIES ARE HIGHLIGHTED

	SERIES	Description	Screen Termination				Strain Relief		Cable Sealing		Additional Components Required	
			Overall Screen	Individual or Multiple Screens	Tool-free	Reworkable	Cable Clamp	Tie Post	Heat Shrink Boot Option	Compression Grommet	Boot	Band
STRAIN RELIEF	96	<ul style="list-style-type: none"> Lightweight open-frame cable clamp Machined from solid for maximum strength and reliability 					•					
	77	<ul style="list-style-type: none"> Entry sizes to match cable bundle diameter Extended can offers protection to rear of connector 					•					
	37	<ul style="list-style-type: none"> IP68 cable sealing grommet Strain relief by cable clamp: Tool-free assembly and re-work 					•		•			
	86	<ul style="list-style-type: none"> Lightweight strain-relief Machined from solid for maximum strength and reliability 						•			•	
HEAT SHRINK BOOT	97	<ul style="list-style-type: none"> Profile specifically designed for optimum performance with heatshrink boot Standard range - many sizes available from stock 							•		•	
	76	<ul style="list-style-type: none"> Low profile form for heatshrink boot 							•		•	
	VG	<ul style="list-style-type: none"> Backshells in accordance with VG95319-1011 Sealing and strain relief by heat shrink boot 							•		•	
GROMMET COMPRESSION NUT	98	<ul style="list-style-type: none"> Provides protection and compression of the connector grommet 										
THREAD ADAPTORS & EXTENDERS	THREAD ADAPTORS	<ul style="list-style-type: none"> Backshell providing standard Metric, Imperial, PG or NPT thread for a variety of applications 										
	EXTENDERS/ ANGLE ADAPTORS	<ul style="list-style-type: none"> Extends connector rear Used in conjunction with any screened or non-screened backshell Straight or angled versions 										

Non-Screened Backshell Product Finder



Interconnect Solutions Worldwide

VERSION

STANDARD VERSIONS
ARE HIGHLIGHTED

VERSION	Straight	45°	90°	Spin Coupling	Anti-Decoupling	Low Profile	VG Approved	HE308 Standard	38999 SERIES		
									I	II	III & IV
									PAGE		
96 - Cable Clamp Backshell	•		•	•		•			1		3
96 (SS) - Stainless Steel	•		•	•		•					5
96 (NB) - Nickel Aluminium Bronze	•		•	•		•					7
96 (AD) - Anti-Decoupling			•	•	•	•			9		10
77 - Cable Clamp, Optional Entry Size	•	•	•	•					11		13
37 - Cable Sealing Backshell	•	•	•	•					15	17	19
86 - Tie Post Backshell	•		•	•		•			21		22
86 (ET) - Earth Tag Option	•		•	•		•			23		24
97 - Heat Shrink Boot Backshell	•	•	•	•					25	27	29
97 (SS) - Stainless Steel	•	•	•	•							31
97 (NB) - Nickel Aluminium Bronze	•	•	•	•							33
97 (ET) - Earth Tag Option	•	•	•	•					35	37	39
76 - Low Profile Heat Shrink Boot Backshell	•			•		•			41		42
PVG1EH1 - Heat Shrink Boot Backshell	•			•			•				43
98 - E Nut Backshell	•			•		•			45		46
Metric / Unified / PG / NPT Adaptor	•	•	•	•					1	336	338
Metric / Unified / PG / NPT Fixed Adaptor	•								340		342
DC - Extender / Angle Adaptor	•	•	•	•					344	345	346
DC (-F) - Fixed Extender Adaptor	•										347

95 H 1 17 08 1 C CC L50

POLAMCO SERIES

CONNECTOR INTERFACE

(F = MIL-DTL-38999 SERIES I OR II)
(H = MIL-DTL-38999 SERIES III & IV)

ANGLE

(1 = STRAIGHT)
(2 = 45°)
(3 = 90°)
(4 = 60°)
(5 = 30°)

SHELL SIZE

(09 - 25 FOR MIL-DTL-38999 SERIES I & III)
(08 - 24 FOR MIL-DTL-38999 SERIES II)
(11 - 25 FOR MIL-DTL-38999 SERIES IV)

ENTRY SIZE

(TYPICALLY 03 - 24, IN 16ths / INCH)

MATERIAL

(1 = ALUMINIUM ALLOY)
SEE MATERIAL TABLE FOR OTHER OPTIONS - [PAGE 18](#)

FINISH

SEE PLATING TABLE FOR OPTIONS - [PAGE 18](#)

SUFFIX

SPECIFIC TO EACH SERIES
SEE SERIES DATASHEET FOR MORE INFORMATION

MODIFICATION CODE

IF DESIRED
SEE MODIFICATION TABLE FOR OPTIONS - [PAGE 20](#)

Where it's not possible to physically measure the wire bundle diameter it can be estimated from the individual wire diameters using the following calculation.

When selecting the backshell cable entry size from provided tables, it is a good idea to err on the side of too large, as an undersized cable can always be enlarged with tape or a grommet to fit the cable clamp. When calculating wire bundle diameters, note that the gauge # of the wire describes only the diameter of the metal conductor, and not the overall diameter including insulation and/or braids. Refer to the appropriate wire specification for the actual diameter of the wire for use in the following calculations.

Steps:

- (1) Determine each type of wire diameter
- (2) Choose the multiplication factor from table I below
- (3) Calculate the bundle diameter using the following formula:

$$[\text{Bundle Diameter}] = \text{Factor} \times \sqrt{n_1 \times d_1^2 + n_2 \times d_2^2 + n_3 \times d_3^2 + \dots + n_n \times d_n^2}$$

Where $d_1 \dots d_n$ are diameters of each type of wire in the bundle (when using wires from different diameters)
 $n_1 \dots n_n$ the quantity of wires with the same diameter
 Factor is chosen in according to the total number of wires in the bundle (TABLE I)

- (4) Add thickness of any shielding or jacketing to core wire bundle diameter.

$$[\text{Final OD}] = [\text{Bundle Diameter}] + 2 \times [\text{Shield Thickness}] + 2 \times [\text{Jacket Thickness}]$$

TABLE I							
MULTIPLICATION FACTORS							
NO OF WIRES	1	2	3	4	5	6	7 AND MORE
FACTOR	1	1.415	1.242	1.205	1.208	1.225	1.15

STANDARD MATERIAL AND PLATING OPTIONS ARE HIGHLIGHTED

MATERIAL DESCRIPTION	
1	ALUMINIUM ALLOY 6262 / 6082
2	NICKEL ALUMINIUM BRONZE DGS 1043 / NES 833 (MARINE APPLICATIONS)
3	BRASS CZ 121
4	STAINLESS STEEL 303 S31 / 304
46	STAINLESS STEEL 316 (MARINE APPLICATIONS)
5	H.D.H.C COPPER CA 104
6	STAINLESS STEEL NUT / ALUMINIUM BODY
7	BLACK ACETAL (COST-EFFECTIVE PLASTIC)
73	PEEK GL30 (30% GLASS FILLED) (HIGH TEMPERATURE COMPOSITE)
74	ULTEM 2300 (30% GLASS FILLED) (STANDARD COMPOSITE)
NOTE: PLEASE CONTACT SALES OFFICE FOR MATERIALS NOT LISTED ABOVE	

PLATING CODE	PLATING DESCRIPTION	ROHS COMPLIANT	ENVIRONMENT PROTECTION/ CONDUCTIVITY
AB	ANODISE BLUE TO DEF 03-25	YES	NON CONDUCTIVE
AR	ANODISE RED TO DEF 03-25	YES	NON CONDUCTIVE
B	CADMIUM, OLIVE DRAB (5-10 MICRONS) QQ-P-416, TYPE II, CLASS 3 OVER ELECTROLESS NICKEL	NO*	CONDUCTIVE 500 HRS SALT SPRAY
C	ELECTROLESS NICKEL, AMS-C-26074, CLASS 4, GRADE B	YES	CONDUCTIVE
CHP	ELECTROLESS NICKEL, HIGH PHOSPHOR (9% - 14%), 25 MICRONS MINIMUM, BSEN ISO 4527:2003	YES	CONDUCTIVE
D	BLACK ANODISE HARD PER MIL-A-8625, TYPE III, CLASS 2	YES	NON CONDUCTIVE
F	30-50 MICRONS BRIGHT ELECTROLESS NICKEL TO MIL-C-26074D, CLASS 4, GRADE C	YES	CONDUCTIVE 500 HRS SALT SPRAY
G	BLACK ANODISE, SULPHURIC, PER MIL-A-8625, TYPE II, CLASS 2	YES	NON CONDUCTIVE
H	CADMIUM GOLD, PER QQ-P-416, TYPE II, CLASS 3	NO*	CONDUCTIVE
HA	HARD ANODISE, GREY, 30-50 MICRONS	YES	NON CONDUCTIVE
J	PASSIVATE, PER QQ-P-35 OR MI-S-5002 (STAINLESS STEEL ONLY)	YES	ROHS COMPLIANT
K	CHROMIC ANODISING, DEF 151, TYPE II	NO	NON CONDUCTIVE
L	ALOCROM 1200	NO	CONDUCTIVE
LR	IRIDITE CONVERSION ROHS COMPLIANT VERSION OF ALOCROM 1200, CLEAR/IRIDESCENT, ALUMINIUM ONLY	YES	CONDUCTIVE

* MANY MILITARY PROGRAMS ARE EXEMPT FROM ROHS COMPLIANCE, SEE ROHS WEBSITE FOR MORE INFORMATION

STANDARD MATERIAL AND PLATING OPTIONS ARE HIGHLIGHTED

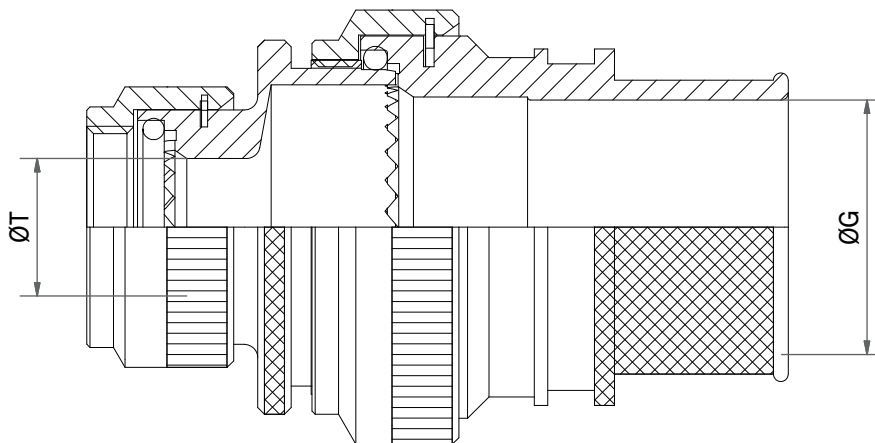
PLATING CODE	PLATING DESCRIPTION	ROHS COMPLIANT	ENVIRONMENT PROTECTION/ CONDUCTIVITY
LV	5 MICRONS SILVER AND BLACKEN TO DEF 03-9	YES	CONDUCTIVE
M	BRIGHT CADMIUM OVER NICKEL QQ-P-416, TYPE II, CLASS 3	NO*	CONDUCTIVE 500 HRS SALT SPRAY
P	HEAVY NICKEL TO PLATING SPECIFICATION CP07 (500 HOUR SALT SPRAY FINISH)	YES	CONDUCTIVE 500 HRS SALT SPRAY
R	CADMIUM, OLIVE DRAB (5-10 MICRONS) QQ-P-416, TYPE II, CLASS 3 OVER ELECTROLESS NICKEL (2.5 - 7.5 MICRONS) REAR OF BACKSHELL TO HAVE SELECTIVE ELECTROLESS PLATING C-PLATE	NO*	CONDUCTIVE 500 HRS SALT SPRAY
T	TIN PLATE (COPPER) TO DEF 03-8	YES	CONDUCTIVE
TN	NICKEL/PTFE	YES	CONDUCTIVE 500 HRS SALT SPRAY
U	UNPLATED CLEAN FINISH NOT SHOT BLASTED	YES	
V	SILVER PLATE 5 MICRONS TO DEF 03-9	YES	CONDUCTIVE
Y	YELLOW CHROMATE OVER CADMIUM QQ-P-416, TYPE II, CLASS 2	NO	CONDUCTIVE
Z	SHOT BLAST FOR NON-REFLECTIVE FINISH	YES	
ZB	ZINC COBALT (5-10 MICRONS) OVER ELECTROLESS NICKEL (2.5 - 7.5 MICRONS) WITH A OLIVE DRAB CHROMATE CONVERSION	YES	CONDUCTIVE 350 HRS SALT SPRAY
ZBC	ZB-NUT (ZINC COBALT OLIVE DRAB OVER ELECTROLESS NICKEL); C-FOLLOWER (ELECTROLESS NICKEL) - 91 SERIES ONLY	YES	CONDUCTIVE 350 HRS SALT SPRAY. ZB.
ZBBC	ZB-NUT (ZINC COBALT OLIVE DRAB OVER ELECTROLESS NICKEL); ZB-FOLLOWER (ZINC COBALT OLIVE DRAB OVER ELECTROLESS NICKEL); WITH C MASKED AREA (ELECTROLESS NICKEL - SEE ABOVE) - 91 SERIES ONLY	YES	CONDUCTIVE 350 HRS SALT SPRAY.
ZK	ZINC COBALT (5-10 MICRONS) OVER ELECTROLESS NICKEL (2.5 - 7.5 MICRONS) WITH A BLACK CHROMATE CONVERSION	YES	CONDUCTIVE 350 HRS SALT SPRAY.
ZN	ZINC NICKEL BLACK PASSIVATE (5-12 MICRONS) OVER ELECTROLESS NICKEL (8-12 MICRONS), ASTM B 841 CLASS 1	YES	CONDUCTIVE 500 HRS SALT SPRAY
ZNB	ELECTROLESS NICKEL 8-12 MICRONS/ZINC NICKEL 5-12/ PURE ZINC/OLIVE DRAB PASSIVATION, ASTM B 841 CLASS 1	NO	CONDUCTIVE (NOT ROHS COMPLIANT, UNTESTED 500 HRS SALT SPRAY FINISH)
ZNY	ELECTROLESS NICKEL 8-12 MICRONS/ZINC NICKEL 5-12 MICRONS/YELLOW PASSIVATION, ASTM B 841 CLASS 1	NO	CONDUCTIVE (NOT ROHS COMPLIANT, UNTESTED 500 HRS SALT SPRAY FINISH)
ZY	ZINC COBALT YELLOW CHROMATE (7.5 - 12.5 MICRONS) OVER ELECTROLESS NICKEL (2.5 - 7.5 MICRONS)	NO	CONDUCTIVE 500 HRS SALT SPRAY

* MANY MILITARY PROGRAMS ARE EXEMPT FROM ROHS COMPLIANCE, SEE ROHS WEBSITE FOR MORE INFORMATION

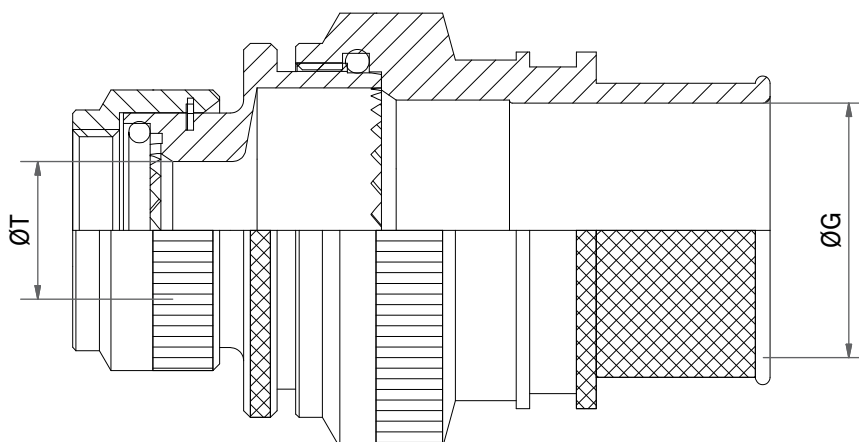
STANDARD MODIFICATION SUFFIXES		
SUFFIX	MEANING	APPLIES TO SERIES
L_ _	NON-STANDARD LENGTH (LENGTH SPECIFIED IN MM)	ALL STRAIGHT
C_ _	NON-STANDARD FRONT LENGTH (LENGTH SPECIFIED IN MM)	ALL 45° CIRCULAR EXCEPT 96 SERIES
D_ _	NON-STANDARD REAR LENGTH (LENGTH SPECIFIED IN MM)	ALL 45° CIRCULAR EXCEPT 96 SERIES
E_ _	NON-STANDARD FRONT LENGTH (LENGTH SPECIFIED IN MM)	ALL 90° CIRCULAR EXCEPT 96 SERIES
F_ _	NON-STANDARD REAR LENGTH (LENGTH SPECIFIED IN MM)	ALL 90° CIRCULAR EXCEPT 96 SERIES
AD	ANTI-DECOUPLING	ALL CIRCULAR
TD	TORQUE-DIFFERENTIAL ANTI-DECOUPLING	ALL CIRCULAR
AP	SPANNER HOLES IN COUPLING NUT	ALL CIRCULAR EXCEPT AP SERIES, WHERE SPANNER HOLES ARE STANDARD
CON	CONDUCTIVE O-RING	ALL CIRCULAR EXCEPT A, B, R, W & Z INTERFACE, WHICH DON'T HAVE O-RINGS
DH	DRAINHOLES	BT, 91, 97 & BLANKING COVERS
ET	EARTH TAG	BT, 91 & 97
IET	INTERNAL EARTH TAG	95 & BLANKING COVERS
FN	COUPLING NUT WITH FLATS	ALL CIRCULAR
G	COUPLING NUT WITH GRUB SCREW	ALL CIRCULAR EXCEPT K - INTERFACE, WHERE GRUB SCREW IS STANDARD
HEX	COUPLING NUT HEX	ALL CIRCULAR
N	NICKEL PLATED BRAIDTAIL	70 SERIES
NB	NO BRAIDTAIL	70 SERIES
NG	NO BOOT GROOVE	ALL CIRCULAR WITH BOOT GROOVE AS STANDARD
NM	NO PART-MARKING	ALL
NS	NO SEAL	ALL CIRCULAR EXCEPT A, B, R, W & Z INTERFACE, WHICH DON'T HAVE O-RINGS
TH	TOOTH INSPECTION HOLES IN COUPLING NUT	ALL CIRCULAR WITH ANTI-ROTATION TEETH

OTHER MODIFICATIONS, WHICH AREN'T SUFFIXES ARE AS FOLLOWS:			
CODE	MEANING	APPLIES TO SERIES	WHERE IN PART NUMBER
D	DIRECT COUPLING	ALL STRAIGHT CIRCULAR	AS IN 95L1-D20-08-1-C
F	DIRECT COUPLING, WITH GROMMET COMPRESSION FOLLOWER	ALL STRAIGHT CIRCULAR	AS IN BTK1-F12-08-1-C-L38
T2	STYLE II ASSEMBLY WITH SPIN-COUPLING SECONDARY ADAPTOR. SEE PAGE 21	ALL CIRCULAR WHERE ØG EXCEEDS ØT, EXCEPT 35, 36, 37 & 39 SERIES, WHERE T2 CONFIGURATION IS AUTOMATICALLY SUPPLIED BUT DOES NOT FEATURE IN PART NUMBER	AS IN BTH3-09T209-1-C
T3	STYLE II ASSEMBLY WITH DIRECT-COUPLING SECONDARY ADAPTOR SEE PAGE 21	ALL STRAIGHT CIRCULAR WHERE ØG EXCEEDS ØT, EXCEPT 35, 36, 37 & 39 SERIES, WHERE T2 CONFIGURATION IS AUTOMATICALLY SUPPLIED BUT DOES NOT FEATURE IN PART NUMBER	AS IN 95M1-10T308-1-C
T1	NOT T2 OR T3 CONFIGURATION	35, 36, 37 & 39 SERIES THAT WOULD OTHERWISE BE T2 CONFIGURATION	AS IN 39H1-23T120-1-B-L5

STYLE T2 OPTION - **SPIN COUPLING REAR ADAPTOR** (STRAIGHT OR ANGLED STYLES)
ENABLES FEEDTHROUGH WHEN $\varnothing G$ EXCEEDS $\varnothing T$



STYLE T3 OPTION - **SOLID REAR ADAPTOR** (STRAIGHT ONLY)
ENABLES FEEDTHROUGH WHEN $\varnothing G$ EXCEEDS $\varnothing T$



Connector Interface Table



Interconnect Solutions Worldwide

MANUFACTURERS PREFIX	MANUFACTURER	CONNECTOR SPECS	SERIES / CLASS	COMMENTS	POLAMCO CODE
118	AMPHENOL	MIL-DTL-26482	SERIES II		A
149	DEUTSCH	MIL-DTL-81703	SERIES I		Y
162GB	AMPHENOL	MIL-DTL-26482	SERIES I		DG
246	AMPHENOL	MIL-DTL-5015D	MS310_		L
348	AMPHENOL	MIL-DTL-81511	SERIES I & II		W
381	DEUTSCH				A
451	AMPHENOL (SOCAPEX)	MIL-DTL-26482	SERIES I		DS
451	AMPHENOL (SOCAPEX)	MIL-DTL-26482	SERIES I	45107 SINGLE HOLE MOUNT RECEPTACLES ONLY	DM
518	AMPHENOL	MIL-DTL-83723	SERIES III		A
5MS	AB CONNECTORS	DEF STAN 59-35	PATT 121A		R
602GB	AMPHENOL	DEF STAN 59-56	PATT 602		A
608	AMPHENOL	BS9522-F0020 / DEF STAN 59-35	PATT 608		S
608	AMPHENOL	BS9522-F0020 / DEF STAN 59-35	PATT 608	STYLE 37 / 57 SINGLE HOLE MOUNT RECEPTACLES ONLY	608
62GB	AMPHENOL	DEF STAN 59-35	PATT 105		D
62GB	AMPHENOL	DEF STAN 59-35	PATT 105	STYLE 14 SINGLE HOLE MOUNT RECEPTACLES ONLY	DM
69	AMPHENOL	MIL-DTL-5015D	MS310_		L
711	AMPHENOL	BS9522-F0042 / -F0043 / PAN6484 / 6499			A
801	AMPHENOL				A
83730	DEUTSCH	MIL-DTL-83723	SERIES III		A
851	SOURIAU	MIL-DTL-26482	SERIES I		KG
851	SOURIAU	MIL-DTL-26482	SERIES I	02E/02R/07A RECEPTACLES ONLY	DM
8525	SOURIAU	NAS1599			A
8526	SOURIAU	HE312			A
8533	SOURIAU	MIL-DTL-83723	SERIES III		A
892 SUFFIX 04	SOURIAU	ESC004			X
8D	SOURIAU	MIL-DTL-38999	SERIES III		H
8LT	SOURIAU	MIL-DTL-38999	SERIES I		F
8ST	SOURIAU	VG96912			SM
8T	SOURIAU	MIL-DTL-38999	SERIES II		F
944	AMPHENOL (MATRIX)	MIL-DTL-5015H	MS34__		A
97	AMPHENOL	MIL-DTL-5015D	MS310_		L
951	DEUTSCH	MIL-DTL-26482	SERIES I		A
981	AMPHENOL (MATRIX)	MIL-DTL-5015H	MS34__		A

Connector Interface Table



Interconnect Solutions Worldwide

MANUFACTURERS PREFIX	MANUFACTURER	CONNECTOR SPECS	SERIES / CLASS	COMMENTS	POLAMCO CODE
9-815	DEUTSCH	MIL-DTL-81511	SERIES III & IV		W
983	DEUTSCH	ESC 10			A
984	DEUTSCH	ESC 11			A
999-1	DEUTSCH	MIL-DTL-38999	SERIES I		F
A815	DEUTSCH	MIL-DTL-81511	SERIES III		W
AB05	AB CONNECTORS	BS9522-F0017			D
AB06	AB CONNECTORS	BS9522-F0017			D
ABB	AB CONNECTORS	BS9522-F0032	PATT 121B		Q
ABCIR	AB CONNECTORS	VG95234			Q
ACA	AMPHENOL	VG95234			Q
ADS	DEUTSCH	MIL-DTL-81703	SERIES I		Y
AFD	DEUTSCH	MIL-DTL-83723	SERIES I		A
AIB	AMPHENOL	MIL-DTL-5015D / VG95234			QD
B815	DEUTSCH	MIL-DTL-81511	SERIES IV		W
BL	G & H TECHNOLOGY	MIL-DTL-38999	SERIES IV		H
BS9520-G0001		BS9520-G0001			F
BS9520-G0003		BS9520-G0003			H
BS9522-F0012		BS9522-F0012	PATT 615		SM
BS9522-F0029		BS9522-F0029	PATT 616		F
BS9522-F0039		BS9522-F0039			H
BS9522-N0001		BS9522-N0001	PATT 603		D
BS9522-N0001		BS9522-N0001	PATT 603	SINGLE HOLE MOUNT RECEPTACLES ONLY	DM
BS9522-N0003		BS9522-N0003	PATT 614		F
C48	CINCH	MIL-DTL-26500			E
CA	ITT CANNON	MIL-DTL-5015D / VG95234	MS310_		LC
CA	ITT CANNON	MIL-DTL-5015D / VG95234	MS310_	GROMMET SEALING	LCS
CE05	DDK	MIL-DTL-5015D	MS310_		LS
CGK	ITT CANNON	VG96912			SM
CIR	ITT CANNON (LITTON/VEAM)	VG95234			QV
CT	AB CONNECTORS	MIL-DTL-38999	SERIES II		F
CV	ITT CANNON	MIL-DTL-5015H	MS34__		A
D817	DEUTSCH	MIL-DTL-81703	SERIES III		A
DA	DEUTSCH				Y
DBAD	DEUTSCH	MIL-DTL-81703	SERIES III		AD
DBAS	DEUTSCH	MIL-DTL-81703	SERIES III		AS

Connector Interface Table



Interconnect Solutions Worldwide

MANUFACTURERS PREFIX	MANUFACTURER	CONNECTOR SPECS	SERIES / CLASS	COMMENTS	POLAMCO CODE
DEF STAN 59-56		DEF STAN 59-56	PATT 602		A
DFE	DEUTSCH	MIL-DTL-26482	SERIES II		A
DIV	DEUTSCH	MIL-DTL-38999	SERIES IV		H
DJT	DEUTSCH	MIL-DTL-38999	SERIES I		F
DL	DEUTSCH	MIL-DTL-83723	SERIES III		A
DM	DEUTSCH	MIL-DTL-81703	SERIES I		Y
DS	DEUTSCH				Y
DTS	DEUTSCH	MIL-DTL-38999	SERIES III		H
ELIO	SOURIAU	MIL-DTL-38999	SERIES III		HE
EN2997		EN2997			A
EN3645		EN3645			H
EN3646		EN3646			A
ESC004	POLAMCO	ESC004			X
FDBA	DEUTSCH	LN29504			A
GT	AMPHENOL	VG95234			Q
HDJ	DEUTSCH	JN1003			SM
HE308		HE308			F
HE309		HE309			F
HE312		HE312			A
HE314		NFC93422			NC
HTMS	AB CONNECTORS	MVEE 695			R
IPT06A	GLENAIR (COMMITAL)	MIL-DTL-26482	SERIES I	CLASS A ONLY (WITHOUT GROMMET)	D
IT	COMMITAL	MIL-DTL-5015D	MS310_		LM
JN1003		JN1003			SM
JN1032		JN1032			A
JN1033		JN1033			A
JN1034		JN1034			H
JT	AMPHENOL	MIL-DTL-38999	SERIES II		F
JVS	SOURIAU	CECC75201.002		NICKEL ALUMINIUM BRONZE	H
KJ	ITT CANNON	MIL-DTL-38999	SERIES II		F
KJA	ITT CANNON	MIL-DTL-38999	SERIES III		H
KJL	ITT CANNON	MIL-DTL-38999	SERIES I		F
KPT	ITT CANNON	MIL-DTL-26482	SERIES I		K
KPT	ITT CANNON	MIL-DTL-26482	SERIES I	KPT07 SINGLE HOLE MOUNT RECEPTACLES ONLY	DM
LCT	AB CONNECTORS	MIL-DTL-38999	SERIES I		F
LJT	AMPHENOL	MIL-DTL-38999	SERIES I		F
LMB	ITT CANNON (LITTON/VEAM)	DEF STAN 59-35	PATT 121A		R

Connector Interface Table



Interconnect Solutions Worldwide

MANUFACTURERS PREFIX	MANUFACTURER	CONNECTOR SPECS	SERIES / CLASS	COMMENTS	POLAMCO CODE
LMF	WEALD	MK4		BRASS CONNECTORS AND ALUMINIUM FREE PLUGS AND SOCKETS	B
LMF	WEALD	MK4		ALUMINIUM FREE COUPLERS & ALUMINIUM FIXED UNITS ONLY	BF
LMG	WEALD	BS9522-F0014	PATT 104	BRASS CONNECTORS AND ALUMINIUM FREE PLUGS AND SOCKETS	B
LMG	WEALD	BS9522-F0014	PATT 104	ALUMINIUM FREE COUPLERS & ALUMINIUM FIXED UNITS ONLY	BG
LMH	WEALD	BS9522-F0017			D
LMV	WEALD	BS9522-F0053			B
LN29500		LN29500			K
LN29729		LN29729			SM
LTT	ITT CANNON (TEC)	MIL-DTL-38999	SERIES I		F
MB3	AMPHENOL	MIL-DTL-83723	SERIES III		A
MDR	DEUTSCH				Y
MIL-DTL-26482		MIL-DTL-26482	SERIES II		A
MIL-DTL-28840		MIL-DTL-28840			Z
MIL-DTL-5015D		MIL-DTL-5015D	MS310_	FITS ON ENDBELL	LV
MIL-DTL-5015H		MIL-DTL-5015H	MS34__		A
MIL-DTL-81703		MIL-DTL-81703	SERIES III		A
MIL-DTL-81703		MIL-DTL-81703	SERIES I & II		Y
MIL-DTL-83723		MIL-DTL-83723	SERIES III		A
MIL-DTL-83723		MIL-DTL-83723	SERIES II		LK
MK18	AB CONNECTORS	DEF STAN 59-35	MK18	PLUGS & SQUARE FLANGE RECEPTACLES ONLY	S
MK18	AB CONNECTORS	DEF STAN 59-35	MK18	SINGLE HOLE MOUNT RECEPTACLES ONLY	608
MK25	AB CONNECTORS	MIL-DTL-38999	SERIES II		F
MK27	AB CONNECTORS	MIL-DTL-38999	SERIES I		F
MK33	AB CONNECTORS	MIL-DTL-38999	SERIES III		H
MK38	AB CONNECTORS	MIL-DTL-38999	SERIES I		F
MQ3/MT3	AMPHENOL	MIL-DTL-83723	SERIES III		A
MSH/MPH	SOURIAU (JUPITER)	538C AGB/T			NCJ
NAS1599		NAS1599			A
PAN6432-1		PAN6432-1			A
PAN6432-2		PAN6432-2			A
PAN6433-1		PAN6433-1			F

Connector Interface Table



Interconnect Solutions Worldwide

MANUFACTURERS PREFIX	MANUFACTURER	CONNECTOR SPECS	SERIES / CLASS	COMMENTS	POLAMCO CODE
PAN6433-2		PAN6433-2			SM
PC4	POLAMCO				H
PT	ITT CANNON (TEC)	BS9522-F0017	PATT 105		D
PT	ITT CANNON (TEC)	BS9522-F0017	PATT 105	PT07 SINGLE HOLE MOUNT RECEPTACLES ONLY	DM
PT	AMPHENOL	MIL-DTL-26482	SERIES I		D
PT	AMPHENOL	MIL-DTL-26482	SERIES I	PT07 SINGLE HOLE MOUNT RECEPTACLES ONLY	DM
PTS-DR	AMPHENOL	MIL-DTL-26482	SERIES II		A
PT-SE	ITT CANNON (VEAM)	BS9522-N0001	PATT 603		DG
PT-SE	ITT CANNON (TEC)	BS9522-N0001	PATT 603	PT07SE SINGLE HOLE MOUNT RECEPTACLES ONLY	DM
PT-SE	AMPHENOL	MIL-DTL-26482	SERIES I		DS
PT-SE	AMPHENOL	MIL-DTL-26482	SERIES I	PT07 SINGLE HOLE MOUNT RECEPTACLES ONLY	DM
PV	ITT CANNON	MIL-DTL-26482	SERIES II		A
PVW	ITT CANNON				A
PVX	ITT CANNON	DEF STAN 59-56	PATT 602		A
QRP	AB CONNECTORS	VG95234			Q
RR	DEUTSCH	DEF STAN 59-56	PATT 602		A
RSM	DEUTSCH				Y
RTK	DEUTSCH				Y
SB-104	AB CONNECTORS	DEF STAN 59-35	PATT 104	BRASS CONNECTORS AND ALUMINIUM FREE PLUGS AND SOCKETS	B
SB-104	AB CONNECTORS	DEF STAN 59-35	PATT 104	ALUMINIUM FREE COUPLERS & ALUMINIUM FIXED UNITS ONLY	BG
SB-MS	AB CONNECTORS	BS9522-F0030			R
SJT	AMPHENOL	JN1003			SM
SJT	AMPHENOL	JN1003		SJT07 JAM NUT RECEPTACLE - CONSULT SALES OFFICE	
SLPT	DEUTSCH	MIL-DTL-26482	SERIES I		D
STK	DEUTSCH				Y
STT	ITT CANNON (TEC)	BS9522-F0012			SM
TCT	AB CONNECTORS	MIL-DTL-38999	SERIES III		H
TT	ITT CANNON (TEC)	MIL-DTL-38999	SERIES II		F
TV	AMPHENOL	MIL-DTL-38999	SERIES III		H
UTO ("TRIM TRIO")	SOURIAU	MIL-DTL-26482	SERIES I		UT
VG95329		VG95329			W
VTT	ITT CANNON (TEC)	MIL-DTL-38999	SERIES III		H
ZZW / ZZY	AMPHENOL (PYLE)	MIL-DTL-26500			E

RoHS Compliance Statement

RoHS - EU Directive 2011/65/EU

The Directive requires that the homogeneous materials within new electrical and electronic equipment must contain less than 0.1% by weight of lead, mercury, hexavalent chromium, polybrominated biphenyls (PBB) or polybrominated diphenyl ethers (PBDE) and less than 0.01% Cadmium. A list of exemptions for the use of the above substances in specific items is given in Annexes III and IV of Directive 2011/65/EU. The Directive also allows some additional, broader exemptions, for example equipment intended for Military purposes.

Although most of Polamco's products are outside the scope of Directive 2011/65/EU, either because they are components, or as they are specifically manufactured for use in the Military or Aerospace sectors, Polamco is still committed to reducing or

eliminating hazardous substances, using substitutes as and when they become available to the industry.

Lead - The use of lead is subject to ongoing investigation by Polamco across its present product ranges. Many customers in the Aerospace, Military and Transport sectors have requested that Polamco continue to use 'Leaded Solder' for their specific applications and wherever possible, Polamco will accommodate the requests.

Cadmium - Cadmium plated parts are not RoHS compliant. Alternative plating finishes to Cadmium are available from Polamco, typical products being Black Zinc Nickel, Zinc Cobalt, Nickel, Stainless Steel and Nickel Aluminium Bronze.

Hexavalent Chromium - Polamco has undertaken extensive research and

testing to determine the RoHS compliancy of its passivated plating finishes.

Following tests in accordance with the internationally recognised standard IEC 62321:2008, Polamco can confirm that its Black Zinc Nickel plating and its Zinc Cobalt plating (green, black and yellow) are RoHS compliant.

Mercury - Polamco does not use mercury in the construction of its product ranges or knowingly introduce any mercury content.

Polybrominated Diphenyl Ethers (PBDE), including Deca-BDE, and Polybrominated Biphenyls (PBB) - The vast majority of Polamco products do not contain PBDEs or PBBs; however at this time Polamco is unable to provide a 'blanket' RoHS compliancy statement with respect to these substances for its entire range of products.

If you have any questions, please contact the *Quality Manager* at Polamco.

Further information with regard to the RoHS directive

1. DTI update www.dti.gov.uk or www.dti.gov.uk/sustainability/weee/index.htm

2. Envirowise www.envirowise.gov.uk



Section Index

8	Backshell Product Finder
16	Product Information
29	Screened Backshells
275	Non-Screened Backshells
323	Conduit Backshells & Conduit
333	Thread Adaptors & Extenders
1	Associated Products
356	Glossary & Terms

Screened Backshells

Polamco design and manufacture the following Screened Backshells:

Screened

BT Series
MB Series
DB Series
88 Series
89 Series
VG Series
AP Series
DS Series
91 Series
60 Series
95 Series
70 Series
KMA Series*
KMCC Series*
308 Series
318 Series
64 Series
35 Series
36 Series
39 Series
CS64 Series
TAK Series

Characteristics

- Backshells for individual or overall 360° screening options
- All parts machined from solid material for reliable strength and performance**
- Available in all materials and straight, 45 or 90° options
- Compatible with Mil-Spec dimensions and performance
- Options to use Heat Shrink Boots
- Options on low profile, extended length and alternative angles

* Manufactured under licence 'AgustaWestland Helicopters UK Patent 2239358'

** With the exception of pages 36 and 112



91 Series



95 Series



64 Series



70 Series



BT Series

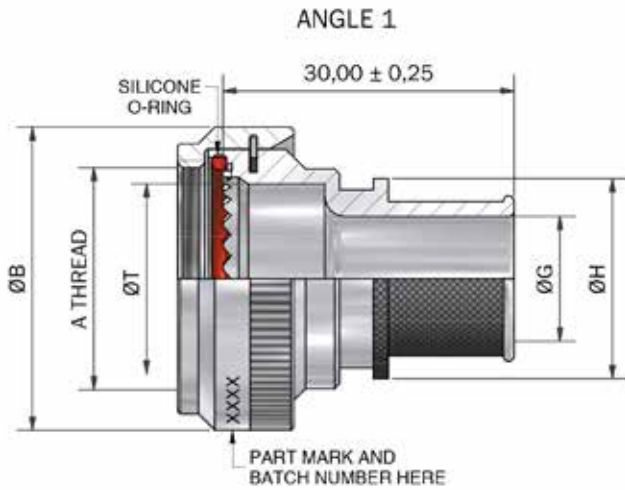
BTF - Standard Band Termination

Interface F - MIL-DTL-38999 SERIES I

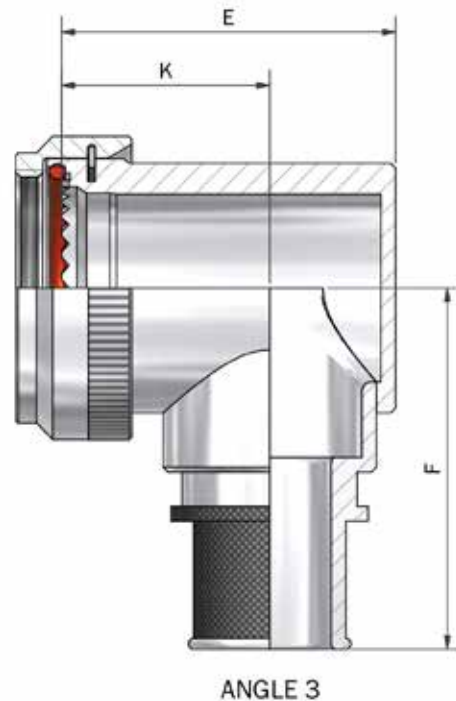
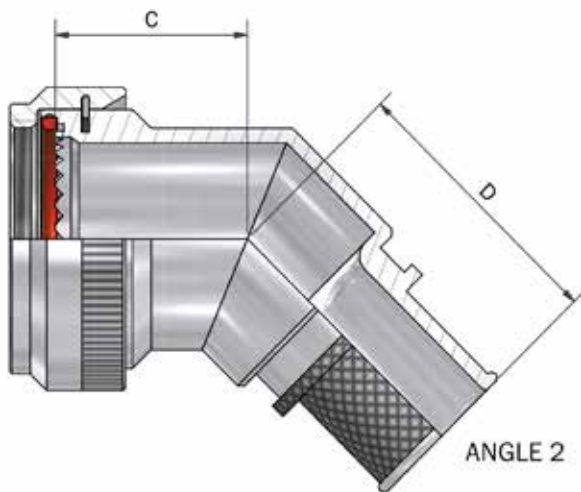
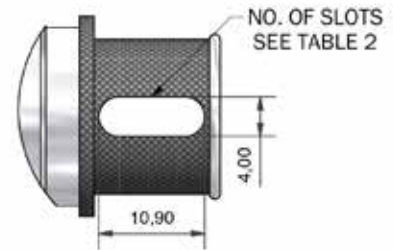


Interconnect Solutions Worldwide

BAND TERMINATION



SLOT OPTION - SL
(PIGTAIL TERMINATION)



DRAWING NOT TO SCALE, DIMENSIONS IN MM

SEE PAGES 18-26 FOR COMPLETE LIST OF AVAILABLE MATERIALS, FINISHES AND CONNECTOR INTERFACES
(DIMENSIONS, FORM AND O RING SUBJECT TO CHANGE DEPENDING ON BACKSHELL MATERIAL AND CONNECTOR INTERFACE)

BTF - Standard Band Termination

Interface F - MIL-DTL-38999 SERIES I



Interconnect Solutions Worldwide

BAND TERMINATION

TABLE 1

SHELL SIZE	A THREAD	ØB MAX	ØT MIN	C ±0,5	D ±0,5	E MAX	F MAX	K ±0,5
09	7/16-28 UNEF	18,0	6,8	16,4	25,7	22,7	30,5	15,0
11	9/16-24 UNEF	21,0	10,2	17,2	26,9	26,2	32,2	17,0
13	11/16-24 UNEF	24,5	13,1	17,6	27,3	29,2	33,7	18,0
15	13/16-20 UNEF	27,8	16,2	18,5	28,2	32,2	35,2	20,0
17	15/16-20 UNEF	30,8	19,3	19,2	29,0	35,7	36,9	21,5
19	1 1/16-18 UNEF	34,1	22,3	19,6	29,3	39,7	38,5	23,0
21	1 3/16-18 UNEF	37,3	25,8	20,4	30,1	42,2	41,1	25,0
23	1 5/16-18 UNEF	41,0	28,3	20,8	30,5	45,2	41,6	26,0
25	1 7/16-18 UNEF	43,7	31,5	21,7	31,4	48,2	43,1	28,0

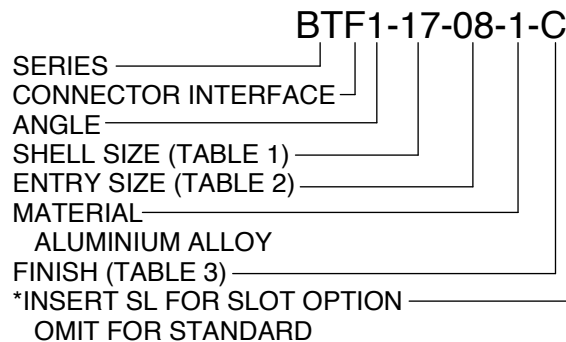
TABLE 2

ENTRY SIZE	ØG MIN	ØH MAX	NO. OF SLOTS *
03	4,7	13,9	1
04	6,3	13,9	1
05	7,9	15,5	1
06	9,5	17,2	2
07	11,1	18,7	2
08	12,7	20,3	2
09	14,2	21,9	2
10	15,8	23,5	2
11	17,4	25,1	2
12	19,0	26,7	2
13	20,6	28,3	2
14	22,2	29,9	4
15	23,8	31,5	4
16	25,4	33,1	4
17	27,0	34,7	4
18	28,6	36,3	4
19	30,2	37,9	4
20	31,8	39,5	4
21	33,3	41,1	4
22	35,0	42,7	4
23	36,5	44,3	4
24	38,1	45,9	4

TABLE 3

CODE	FINISH
C	ELECTROLESS NICKEL
B	CADMIUM OLIVE DRAB OVER ELECTROLESS NICKEL
ZB	ZINC COBALT OLIVE DRAB OVER ELECTROLESS NICKEL
ZN	ZINC NICKEL BLACK PASSIVATE OVER ELECTROLESS NICKEL

LIST NOT EXHAUSTIVE, SEE PLATING TABLE FOR OTHER OPTIONS



For tooling and assembly instructions see www.polamco.com

- Backshell supplied without Band (see page 349)
- Sealing and strain relief achieved with Heat Shrink Boot (see page 354)
- Adhesive if required for assembly (see page 352)
- Screenbraid for EMC/RFI screening (see page 350)

DRAWING NOT TO SCALE, DIMENSIONS IN MM

SEE PAGES 18-26 FOR COMPLETE LIST OF AVAILABLE MATERIALS, FINISHES AND CONNECTOR INTERFACES (DIMENSIONS, FORM AND O RING SUBJECT TO CHANGE DEPENDING ON BACKSHELL MATERIAL AND CONNECTOR INTERFACE)

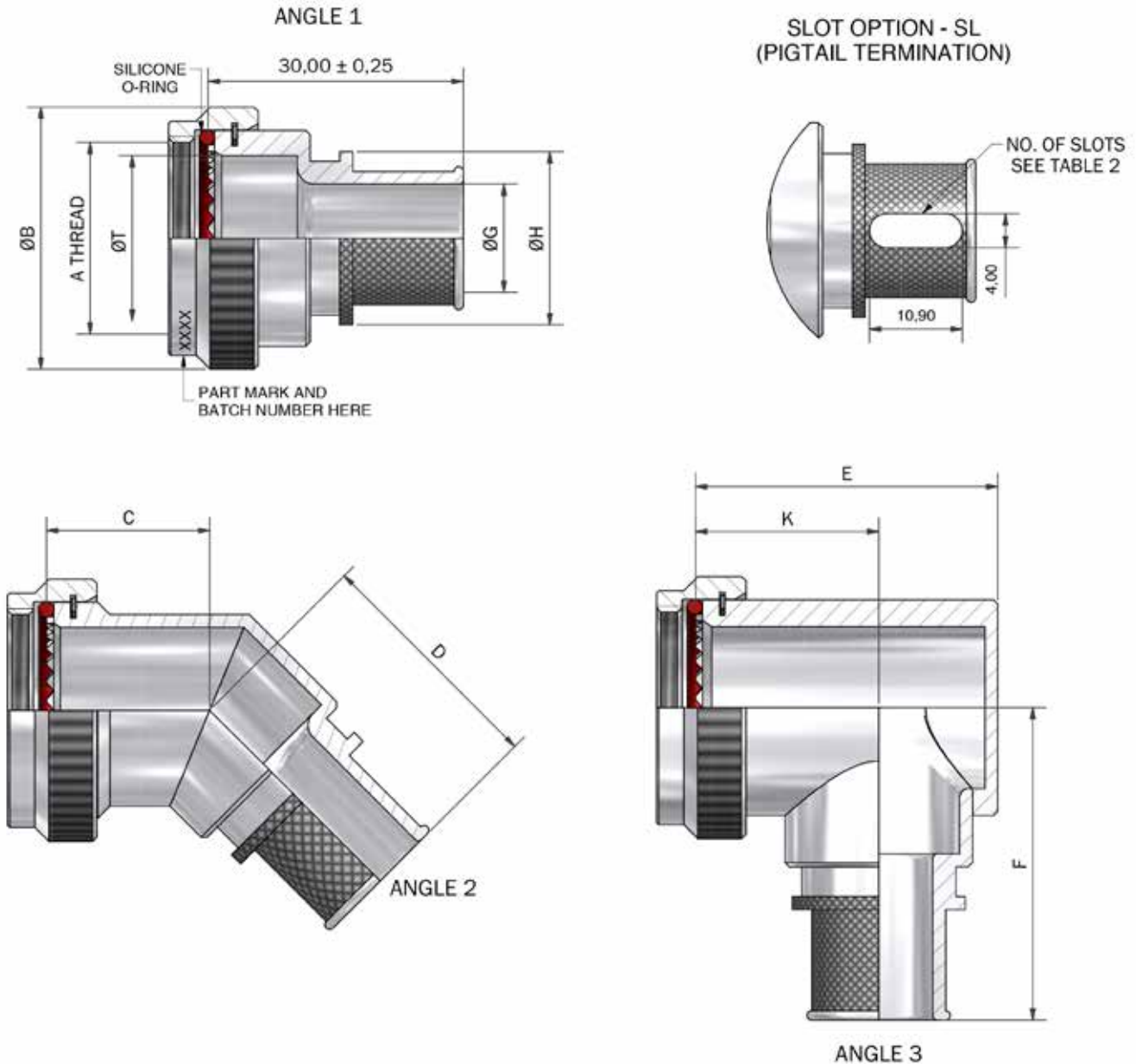
BTF - Standard Band Termination

Interface F - MIL-DTL-38999 SERIES II



Interconnect Solutions Worldwide

BAND TERMINATION



DRAWING NOT TO SCALE, DIMENSIONS IN MM

SEE PAGES 18-26 FOR COMPLETE LIST OF AVAILABLE MATERIALS, FINISHES AND CONNECTOR INTERFACES (DIMENSIONS, FORM AND O RING SUBJECT TO CHANGE DEPENDING ON BACKSHELL MATERIAL AND CONNECTOR INTERFACE)

BTF - Standard Band Termination

Interface F - MIL-DTL-38999 SERIES II



Interconnect Solutions Worldwide

BAND TERMINATION

TABLE 1

SHELL SIZE	A THREAD	ØB MAX	ØT MIN	C ±0,5	D MAX	E MAX	F MAX	K ±0,5
08	7/16-28 UNEF	18,3	6,6	16,4	25,7	22,7	30,5	15,0
10	9/16-24 UNEF	21,5	10,1	17,2	26,9	26,2	32,2	17,0
12	11/16-24 UNEF	24,5	12,9	17,6	27,3	29,2	33,7	18,0
14	13/16-20 UNEF	27,8	16,1	18,5	28,2	32,2	35,2	20,0
16	15/16-20 UNEF	30,8	19,3	19,2	29,0	35,7	36,9	21,5
18	1 1/16-18 UNEF	34,1	21,7	19,6	29,3	39,7	38,5	23,0
20	1 3/16-18 UNEF	37,3	24,9	20,4	30,1	42,2	41,1	25,0
22	1 5/16-18 UNEF	40,5	28,1	20,8	30,5	45,2	41,6	26,0
24	1 7/16-18 UNEF	43,7	31,3	21,7	31,4	48,2	43,1	28,0

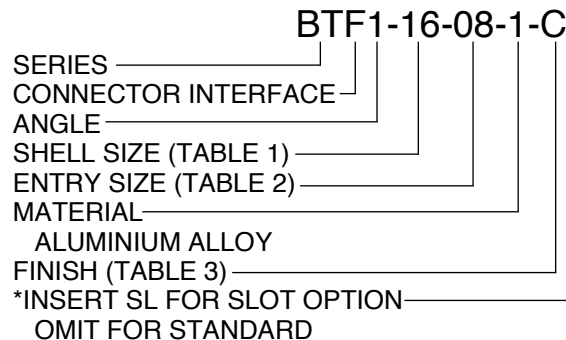
TABLE 2

ENTRY SIZE	ØG MIN	ØH MAX	NO. OF SLOTS *
03	4,7	13,9	1
04	6,3	13,9	1
05	7,9	15,5	1
06	9,5	17,2	2
07	11,1	18,7	2
08	12,7	20,3	2
09	14,2	21,9	2
10	15,8	23,5	2
11	17,4	25,1	2
12	19,0	26,7	2
13	20,6	28,3	2
14	22,2	29,9	4
15	23,8	31,5	4
16	25,4	33,1	4
17	27,0	34,7	4
18	28,6	36,3	4
19	30,2	37,9	4
20	31,8	39,5	4
21	33,3	41,1	4
22	35,0	42,7	4
23	36,5	44,3	4
24	38,1	45,9	4

TABLE 3

CODE	FINISH
C	ELECTROLESS NICKEL
B	CADMIUM OLIVE DRAB OVER ELECTROLESS NICKEL
ZB	ZINC COBALT OLIVE DRAB OVER ELECTROLESS NICKEL
ZN	ZINC NICKEL BLACK PASSIVATE OVER ELECTROLESS NICKEL

LIST NOT EXHAUSTIVE, SEE PLATING TABLE FOR OTHER OPTIONS



For tooling and assembly instructions see www.polamco.com

- Backshell supplied without Band (see page 349)
- Sealing and strain relief achieved with Heat Shrink Boot (see page 354)
- Adhesive if required for assembly (see page 352)
- Screenbraid for EMC/RFI screening (see page 350)

DRAWING NOT TO SCALE, DIMENSIONS IN MM

SEE PAGES 18-26 FOR COMPLETE LIST OF AVAILABLE MATERIALS, FINISHES AND CONNECTOR INTERFACES (DIMENSIONS, FORM AND O RING SUBJECT TO CHANGE DEPENDING ON BACKSHELL MATERIAL AND CONNECTOR INTERFACE)

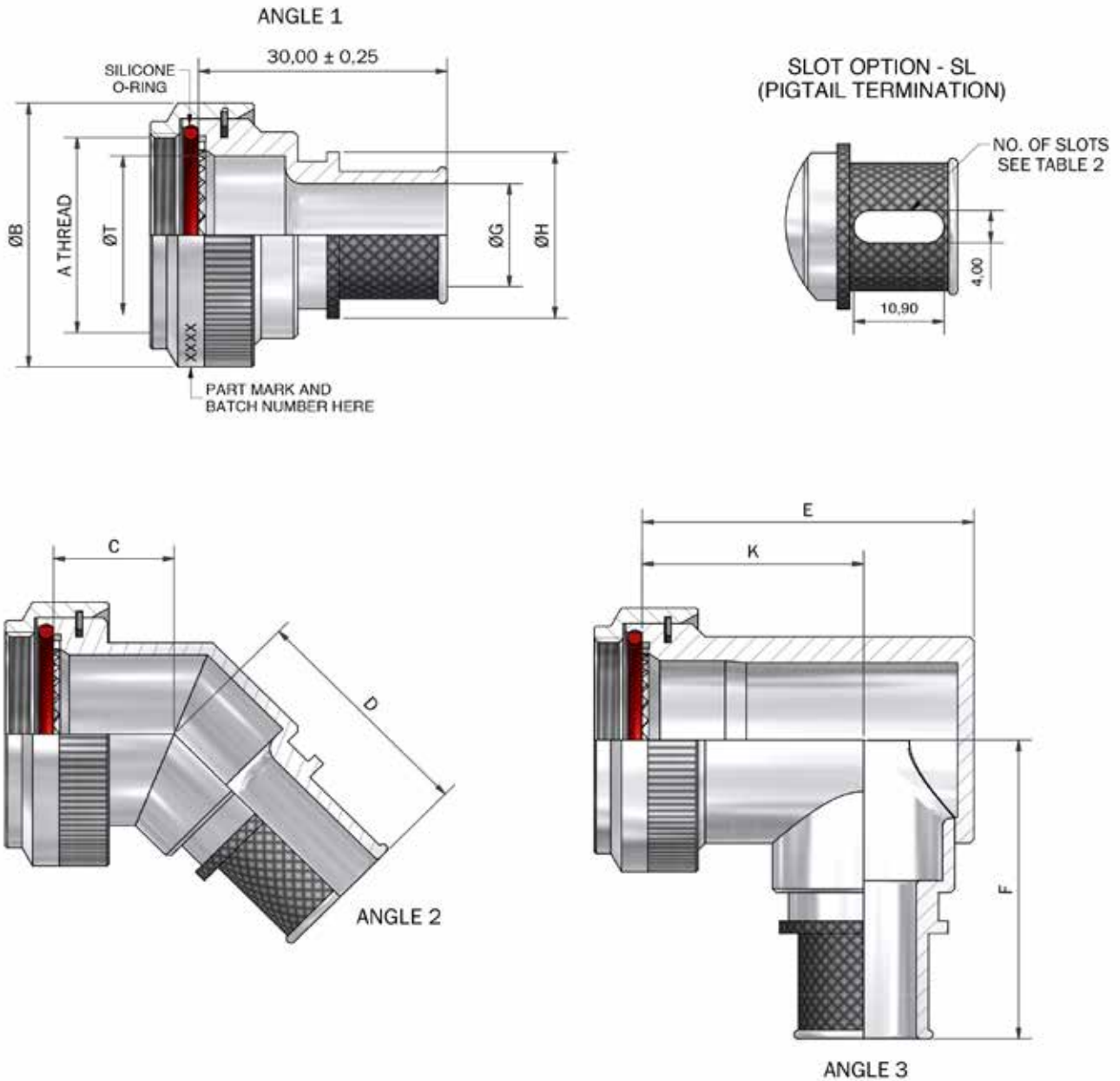
BTH - Standard Band Termination

Interface H - MIL-DTL-38999 SERIES III & IV



Interconnect Solutions Worldwide

BAND TERMINATION



DRAWING NOT TO SCALE, DIMENSIONS IN MM

SEE PAGES 18-26 FOR COMPLETE LIST OF AVAILABLE MATERIALS, FINISHES AND CONNECTOR INTERFACES (DIMENSIONS, FORM AND O RING SUBJECT TO CHANGE DEPENDING ON BACKSHELL MATERIAL AND CONNECTOR INTERFACE)

BTH - Standard Band Termination

Interface H - MIL-DTL-38999 SERIES III & IV



Interconnect Solutions Worldwide

BAND TERMINATION

TABLE 1

SHELL SIZE	A THREAD	ØB MAX	ØT MIN	C MAX	D MAX	E MAX	F MAX	K ±0,5
09	M12 x 1.0	18,0	6,7	13,1	25,7	25,7	30,5	17,5
11	M15 x 1.0	21,0	10,2	13,9	26,9	26,7	32,2	17,5
13	M18 x 1.0	24,5	13,5	14,5	27,3	31,2	33,7	20,0
15	M22 x 1.0	29,0	16,2	15,5	28,2	37,2	35,2	24,5
17	M25 x 1.0	32,5	19,4	16,1	29,0	40,2	36,9	26,7
19	M28 x 1.0	35,5	21,8	16,8	29,3	44,7	38,5	27,0
21	M31 x 1.0	37,0	25,1	17,1	30,1	49,2	40,1	30,5
23	M34 x 1.0	40,0	28,2	17,7	30,5	51,7	41,6	31,5
25	M37 x 1.0	43,5	31,4	18,4	31,4	53,2	43,1	28,5

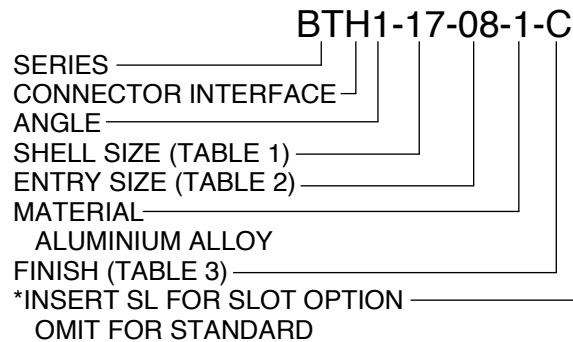
TABLE 2

ENTRY SIZE	ØG MIN	ØH MAX	NO. OF SLOTS *
03	4,7	13,9	1
04	6,3	13,9	1
05	7,9	15,5	1
06	9,5	17,2	2
07	11,1	18,7	2
08	12,7	20,3	2
09	14,2	21,9	2
10	15,8	23,5	2
11	17,4	25,1	2
12	19,0	26,7	2
13	20,6	28,3	2
14	22,2	29,9	4
15	23,8	31,5	4
16	25,4	33,1	4
17	27,0	34,7	4
18	28,6	36,3	4
19	30,2	37,9	4
20	31,8	39,5	4
21	33,3	41,1	4
22	35,0	42,7	4
23	36,5	44,3	4
24	38,1	45,9	4

TABLE 3

CODE	FINISH
C	ELECTROLESS NICKEL
B	CADMIUM OLIVE DRAB OVER ELECTROLESS NICKEL
ZB	ZINC COBALT OLIVE DRAB OVER ELECTROLESS NICKEL
ZN	ZINC NICKEL BLACK PASSIVATE OVER ELECTROLESS NICKEL

LIST NOT EXHAUSTIVE, SEE PLATING TABLE FOR OTHER OPTIONS



For tooling and assembly instructions see www.polamco.com

- Backshell supplied without Band (see page 349)
- Sealing and strain relief achieved with Heat Shrink Boot (see page 354)
- Adhesive if required for assembly (see page 352)
- Screenbraid for EMC/RFI screening (see page 350)

DRAWING NOT TO SCALE, DIMENSIONS IN MM

SEE PAGES 18-26 FOR COMPLETE LIST OF AVAILABLE MATERIALS, FINISHES AND CONNECTOR INTERFACES (DIMENSIONS, FORM AND O RING SUBJECT TO CHANGE DEPENDING ON BACKSHELL MATERIAL AND CONNECTOR INTERFACE)

BTH3 (CE) - Band Termination Die Cast Swept Elbow

Interface H - MIL-DTL-38999 SERIES III & IV



Interconnect Solutions Worldwide

BAND TERMINATION

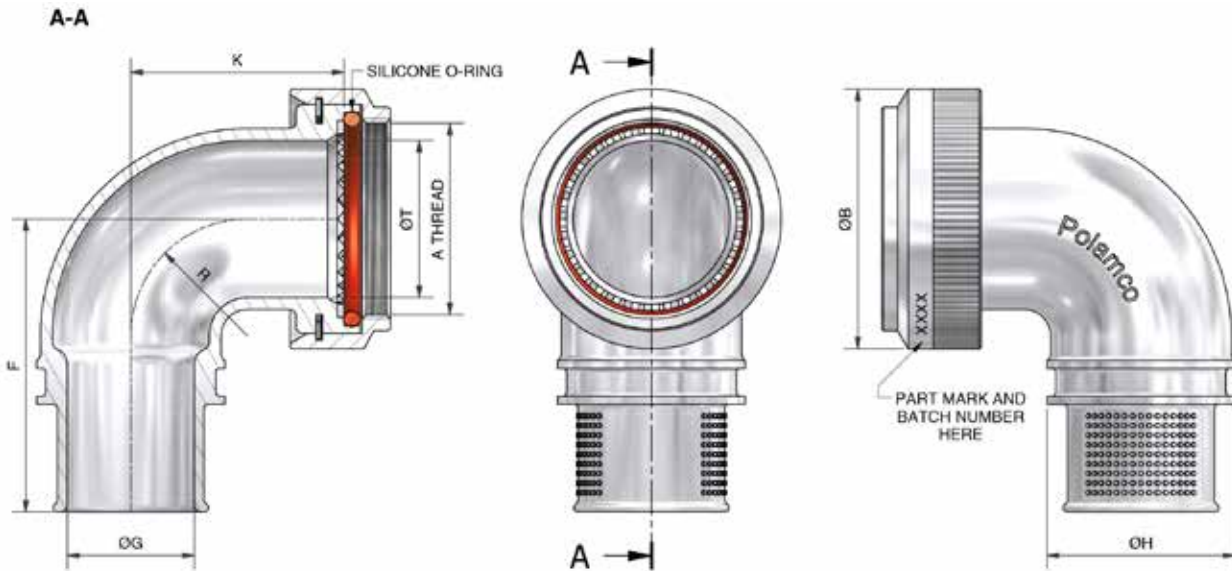


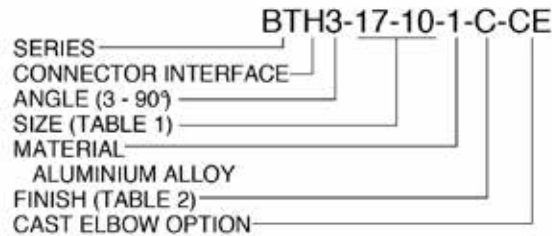
TABLE 1

SIZE	A THREAD	OB MAX	OT MIN	F MAX	K +/-0.5	R REF.	OG MIN	OH MAX
09-04	M12 x 1.0	18,0	6,7	30,5	17,5	8,35	6,40	14,2
11-05	M15 x 1.0	21,0	10,2	32,3	17,5	9,95	7,92	15,7
13-07	M18 x 1.0	24,5	13,5	33,8	20,0	11,40	11,12	19,0
15-08	M22 x 1.0	29,0	16,2	35,7	24,5	13,00	12,70	20,5
17-10	M25 x 1.0	32,5	19,4	37,0	26,7	14,60	15,88	23,7
19-12	M28 x 1.0	35,5	21,8	38,6	27,0	15,70	19,05	26,9
21-14	M31 x 1.0	37,0	25,1	40,3	30,5	17,30	22,23	30,1
23-16	M34 x 1.0	40,0	28,2	41,9	31,5	18,85	25,40	33,2
25-16	M37 x 1.0	43,5	31,4	43,3	31,5	20,45	25,40	33,3

TABLE 2

CODE	PLATING
B	CADMIUM OLIVE DRAB OVER ELECTROLESS NICKEL
C	ELECTROLESS NICKEL
G	BLACK ANODISE
ZB	ZINC COBALT OLIVE DRAB OVER ELECTROLESS NICKEL
ZN	ZINC NICKEL BLACK PASSIVATE OVER ELECTROLESS NICKEL

LIST NOT EXHAUSTIVE, SEE PLATING TABLE FOR OTHER OPTIONS



For tooling and assembly instructions see www.polamco.com

- Backshell supplied without Band (see page 349)
- Sealing and strain relief achieved with Heat Shrink Boot (see page 354)
- Adhesive if required for assembly (see page 352)
- Screenbraid for EMC/RFI screening (see page 350)

DRAWING NOT TO SCALE, DIMENSIONS IN MM

SEE PAGES 18-26 FOR COMPLETE LIST OF AVAILABLE MATERIALS, FINISHES AND CONNECTOR INTERFACES (DIMENSIONS, FORM AND O RING SUBJECT TO CHANGE DEPENDING ON BACKSHELL MATERIAL AND CONNECTOR INTERFACE)

BTH3 (LP-EB) - Band Termination Low Profile EB Weld

Interface H - MIL-DTL-38999 SERIES III & IV



Interconnect Solutions Worldwide

BAND TERMINATION

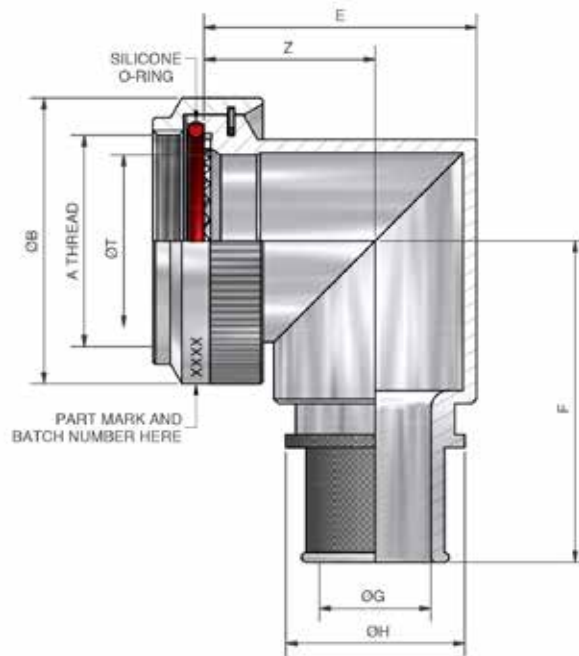


TABLE 1

SHELL SIZE	A	ØB	E	F	ØT	Z	MAX ENTRY
09	M12 x 1.0	18,0	18,0	30,5	6,6	12,8	07
11	M15 x 1.0	21,0	21,5	32,2	10,3	14,1	09
13	M18 x 1.0	24,5	25,0	33,7	13,6	15,8	11
15	M22 x 1.0	29,0	28,5	35,2	16,3	18,1	13
17	M25 x 1.0	32,5	31,5	36,9	19,5	19,7	15
19	M28 x 1.0	35,5	35,0	38,5	21,9	21,5	17
21	M31 x 1.0	37,0	37,0	40,1	25,2	22,0	19
23	M34 x 1.0	40,0	40,5	41,6	28,3	24,1	21
25	M37 x 1.0	43,5	43,5	43,1	31,5	25,8	22

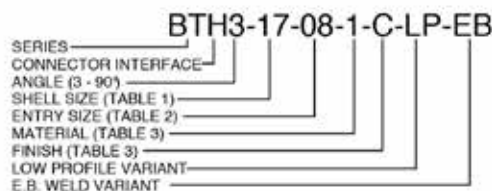
TABLE 2

ENTRY SIZE	ØG	ØH
03	4,77	13,9
04	6,35	13,9
05	7,92	15,5
06	9,52	17,2
07	11,10	18,7
08	12,70	20,3
09	14,27	21,9
10	15,88	23,5
11	17,47	25,1
12	19,05	26,7
13	20,62	28,3
14	22,23	29,9
15	23,82	31,5
16	25,40	33,1
17	27,00	34,7
18	28,60	36,3
19	30,20	37,9
20	31,80	39,5
21	33,38	41,1
22	35,00	42,7

TABLE 3

CODE	MATERIAL / PLATING
1-C	ALUMINIUM / ELECTROLESS NICKEL
1-B	ALUMINIUM / CADMIUM OLIVE DRAB OVER ELECTROLESS NICKEL
1-ZB	ALUMINIUM / ZINC COBALT OLIVE DRAB OVER ELECTROLESS NICKEL
1-ZN	ALUMINIUM / ZINC NICKEL BLACK PASSIVATE OVER ELECTROLESS NICKEL
4-J	STAINLESS STEEL / PASSIVATE
2-Z	NICKEL ALUMINIUM BRONZE / SHOT BLAST

LIST NOT EXHAUSTIVE, SEE PLATING TABLE FOR OTHER OPTIONS



For tooling and assembly instructions see www.polamco.com

- Backshell supplied without Band (see page 349)
- Sealing and strain relief achieved with Heat Shrink Boot (see page 354)
- Adhesive if required for assembly (see page 352)
- Screenbraid for EMC/RFI screening (see page 350)

DRAWING NOT TO SCALE, DIMENSIONS IN MM

SEE PAGES 18-26 FOR COMPLETE LIST OF AVAILABLE MATERIALS, FINISHES AND CONNECTOR INTERFACES
(DIMENSIONS, FORM AND O RING SUBJECT TO CHANGE DEPENDING ON BACKSHELL MATERIAL AND CONNECTOR INTERFACE)

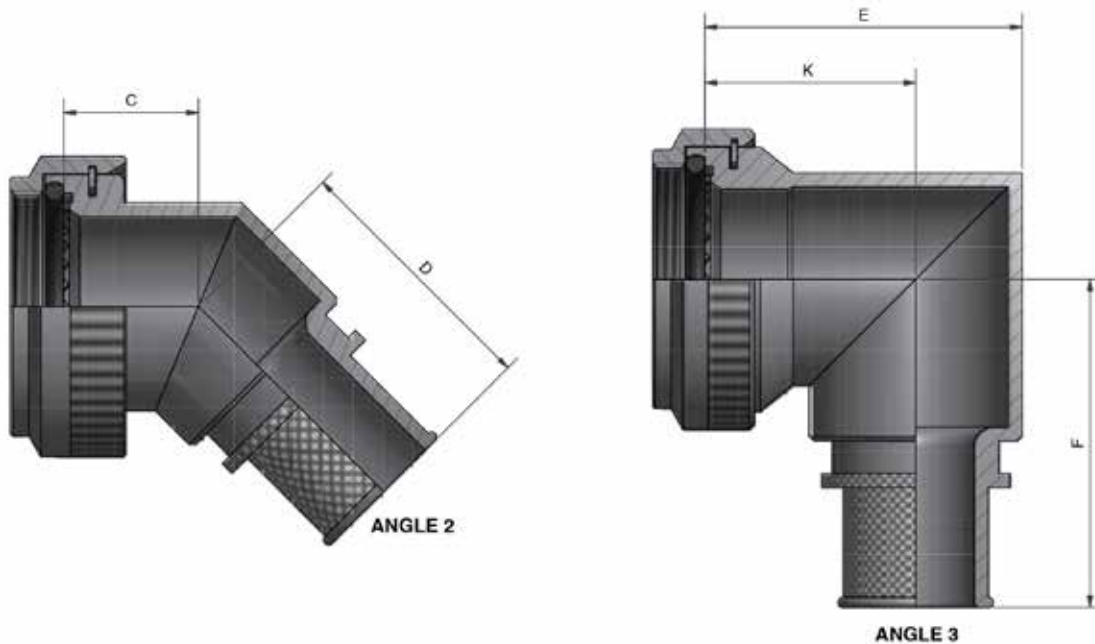
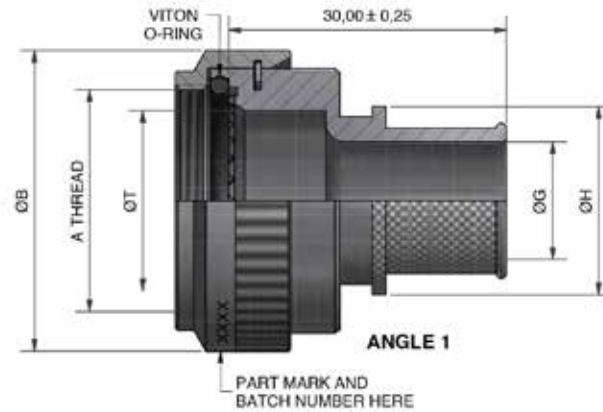
BT (SS) - Band Termination Stainless Steel

Interface H - MIL-DTL-38999 SERIES III & IV



Interconnect Solutions Worldwide

BAND TERMINATION



DRAWING NOT TO SCALE, DIMENSIONS IN MM

SEE PAGES 18-26 FOR COMPLETE LIST OF AVAILABLE MATERIALS, FINISHES AND CONNECTOR INTERFACES
(DIMENSIONS, FORM AND O RING SUBJECT TO CHANGE DEPENDING ON BACKSHELL MATERIAL AND CONNECTOR INTERFACE)

BT (SS) - Band Termination Stainless Steel

Interface H - MIL-DTL-38999 SERIES III & IV



Interconnect Solutions Worldwide

BAND TERMINATION

TABLE 1

SHELL SIZE	A THREAD	ØB MAX	ØT MIN	C MAX	D MAX	E MAX	F MAX	K ± 0,5
09	M12 x 1.0	18,0	6,7	13,1	25,7	21,5	29,1	16,3
11	M15 x 1.0	21,0	10,2	13,9	26,9	24,6	31,3	17,2
13	M18 x 1.0	24,5	13,5	14,5	27,3	28,6	33,1	19,4
15	M22 x 1.0	29,0	16,2	15,5	28,2	31,3	35,0	21,0
17	M25 x 1.0	32,5	19,4	16,1	29,0	34,5	35,7	22,8
19	M28 x 1.0	35,5	21,8	16,8	29,3	38,7	37,2	25,3
21	M31 x 1.0	37,0	25,1	17,1	30,1	41,0	38,9	26,1
23	M34 x 1.0	40,0	28,2	17,7	30,5	43,9	40,3	27,6
25	M37 x 1.0	43,5	31,4	18,4	31,4	46,7	45,1	29,1

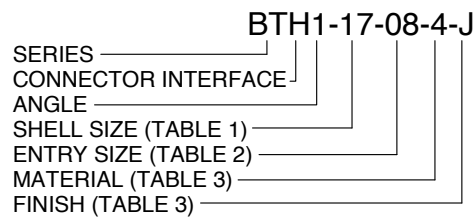
TABLE 2

ENTRY SIZE	ØG MIN	ØH MAX
03	4,7	13,9
04	6,3	13,9
05	7,9	15,5
06	9,5	17,2
07	11,1	18,7
08	12,7	20,3
09	14,2	21,9
10	15,8	23,5
11	17,4	25,1
12	19,0	26,7
13	20,6	28,3
14	22,2	29,9
15	23,8	31,5
16	25,4	33,1
17	27,0	34,7
18	28,6	36,3
19	30,2	37,9
20	31,8	39,5
21	33,3	41,1
22	35,0	42,7
23	36,5	44,3
24	38,1	45,9

TABLE 3

CODE	MATERIAL / PLATING
4-J	STAINLESS STEEL 303 S31 / PASSIVATE
46-J	STAINLESS STEEL 316 / PASSIVATE

LIST NOT EXHAUSTIVE, FOR COMPREHENSIVE LIST AND SPECS, SEE WEBSITE



For tooling and assembly instructions see www.polamco.com

- Backshell supplied without Band (see page 349)
- Sealing and strain relief achieved with Heat Shrink Boot (see page 354)
- Adhesive if required for assembly (see page 352)
- Screenbraid for EMC/RFI screening (see page 350)

DRAWING NOT TO SCALE, DIMENSIONS IN MM

SEE PAGES 18-26 FOR COMPLETE LIST OF AVAILABLE MATERIALS, FINISHES AND CONNECTOR INTERFACES
(DIMENSIONS, FORM AND O RING SUBJECT TO CHANGE DEPENDING ON BACKSHELL MATERIAL AND CONNECTOR INTERFACE)

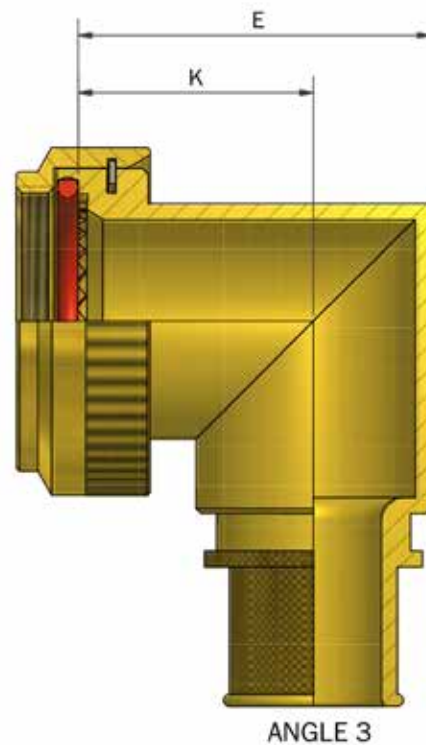
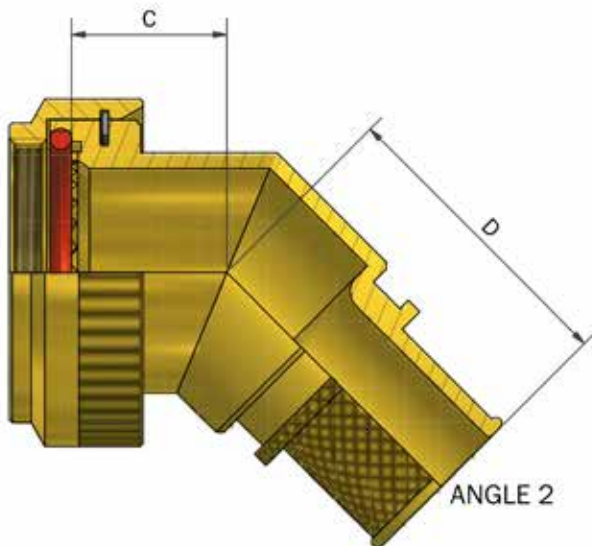
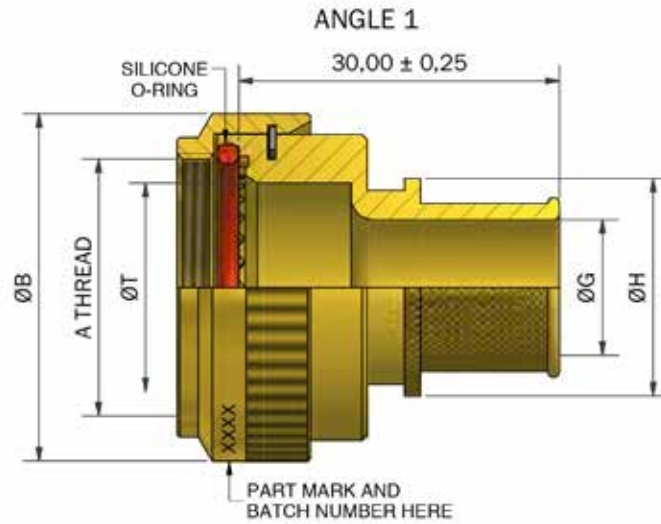
BTH (NB) - Band Termination Nickel Aluminium Bronze

Interface H - MIL-DTL-38999 SERIES III & IV



Interconnect Solutions Worldwide

BAND TERMINATION



DRAWING NOT TO SCALE, DIMENSIONS IN MM

SEE PAGES 18-26 FOR COMPLETE LIST OF AVAILABLE MATERIALS, FINISHES AND CONNECTOR INTERFACES
(DIMENSIONS, FORM AND O RING SUBJECT TO CHANGE DEPENDING ON BACKSHELL MATERIAL AND CONNECTOR INTERFACE)

BTH (NB) - Band Termination Nickel Aluminium Bronze

Interface H - MIL-DTL-38999 SERIES III & IV



Interconnect Solutions Worldwide

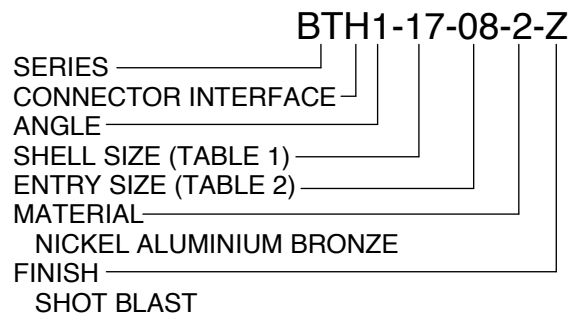
BAND TERMINATION

TABLE 1

SHELL SIZE	A THREAD	ØB MAX	ØT MIN	C MAX	D MAX	E MAX	F MAX	K ±0,5
09	M12 x 1.0	18,0	6,7	13,1	24,7	21,5	29,1	16,3
11	M15 x 1.0	21,0	10,2	13,9	25,9	24,6	31,3	17,2
13	M18 x 1.0	24,5	13,5	14,5	26,3	28,6	33,1	19,4
15	M22 x 1.0	29,0	16,2	15,5	27,2	31,3	35,0	21,0
17	M25 x 1.0	32,5	19,4	16,1	28,0	34,5	35,7	22,8
19	M28 x 1.0	35,5	21,8	16,8	28,0	38,7	37,2	25,3
21	M31 x 1.0	37,0	25,1	17,1	29,1	41,0	38,9	26,1
23	M34 x 1.0	40,0	28,2	17,7	29,5	43,9	40,3	27,6
25	M37 x 1.0	43,5	31,4	18,4	30,4	46,7	45,1	29,1

TABLE 2

ENTRY SIZE	ØG MIN	ØH MAX
03	4,7	13,9
04	6,3	13,9
05	7,9	15,5
06	9,5	17,2
07	11,1	18,7
08	12,7	20,3
09	14,2	21,9
10	15,8	23,5
11	17,4	25,1
12	19,0	26,7
13	20,6	28,3
14	22,2	29,9
15	23,8	31,5
16	25,4	33,1
17	27,0	34,7
18	28,6	36,3
19	30,2	37,9
20	31,8	39,5
21	33,3	41,1
22	35,0	42,7
23	36,5	44,3
24	38,1	45,9



For tooling and assembly instructions see www.polamco.com

- Backshell supplied without Band (see page 349)
- Sealing and strain relief achieved with Heat Shrink Boot (see page 354)
- Adhesive if required for assembly (see page 352)
- Screenbraid for EMC/RFI screening (see page 350)

DRAWING NOT TO SCALE, DIMENSIONS IN MM

SEE PAGES 18-26 FOR COMPLETE LIST OF AVAILABLE MATERIALS, FINISHES AND CONNECTOR INTERFACES
(DIMENSIONS, FORM AND O RING SUBJECT TO CHANGE DEPENDING ON BACKSHELL MATERIAL AND CONNECTOR INTERFACE)

XBTF1 - Band Termination Composite

Interface F - MIL-DTL-38999 SERIES I



Interconnect Solutions Worldwide

BAND TERMINATION

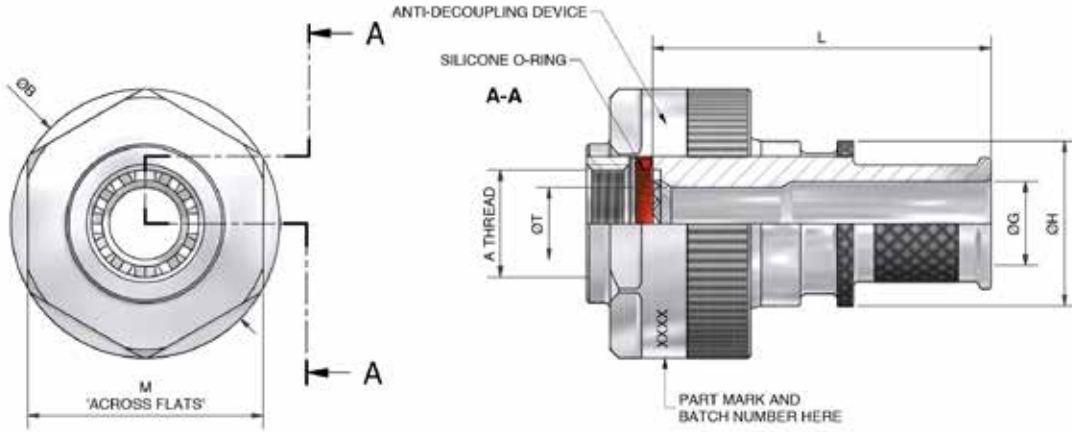


TABLE 1

SHELL SIZE	A THREAD	ØB MAX	ØT MIN	M A/F
09	7/16-28UNEF	25,4	6,8	22,2
11	9/16-24UNEF	26,8	10,2	22,2
13	11/16-24UNEF	29,5	13,1	25,4
15	13/16-20UNEF	32,6	16,2	28,6
17	15/16-20UNEF	37,6	19,3	31,8
19	1 1/16-18UNEF	40,8	22,3	35,1
21	1 3/16-18UNEF	42,1	25,8	38,1
23	1 5/16-18UNEF	45,2	28,3	41,3
25	1 7/16-18UNEF	47,5	31,5	44,5

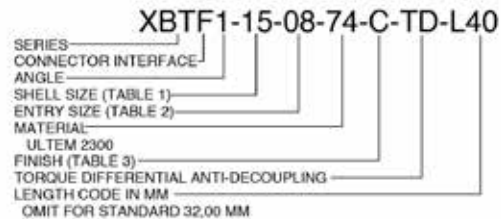
TABLE 2

ENTRY SIZE	ØG MIN	ØH MAX
03	4,7	13,9
04	6,3	13,9
05	7,9	15,5
06	9,5	17,2
07	11,1	18,7
08	12,7	20,3
09	14,2	21,9
10	15,8	23,5
11	17,4	25,1
12	19,0	26,7
13	20,6	28,3
14	22,2	29,9
15	23,8	31,5
16	25,4	33,1
17	27,0	34,7
18	28,6	36,3
19	30,2	37,9
20	31,8	39,5
21	33,3	41,1
22	35,0	42,7
23	36,5	44,3
24	38,1	45,9

TABLE 3

CODE	MATERIAL / PLATING
74-C	ULTEM / ELECTROLESS NICKEL
74-B	ULTEM / CADMIUM OLIVE DRAB OVER ELECTROLESS NICKEL
74-ZB	ULTEM / ZINC COBALT OLIVE DRAB OVER ELECTROLESS NICKEL
74-ZN	ULTEM / ZINC NICKEL BLACK PASSIVATE OVER ELECTROLESS NICKEL
74-U	ULTEM / UNPLATED

LIST NOT EXHAUSTIVE, SEE PLATING TABLE FOR OTHER OPTIONS



For tooling and assembly instructions see www.polamco.com

- Backshell supplied without Band (see page 349)
- Sealing and strain relief achieved with Heat Shrink Boot (see page 354)
- Adhesive if required for assembly (see page 352)
- Screenbraid for EMC/RFI screening (see page 350)

DRAWING NOT TO SCALE, DIMENSIONS IN MM

SEE PAGES 18-26 FOR COMPLETE LIST OF AVAILABLE MATERIALS, FINISHES AND CONNECTOR INTERFACES (DIMENSIONS, FORM AND O RING SUBJECT TO CHANGE DEPENDING ON BACKSHELL MATERIAL AND CONNECTOR INTERFACE)

XBTF1 - Band Termination Composite

Interface F - MIL-DTL-38999 SERIES II



Interconnect Solutions Worldwide

BAND TERMINATION

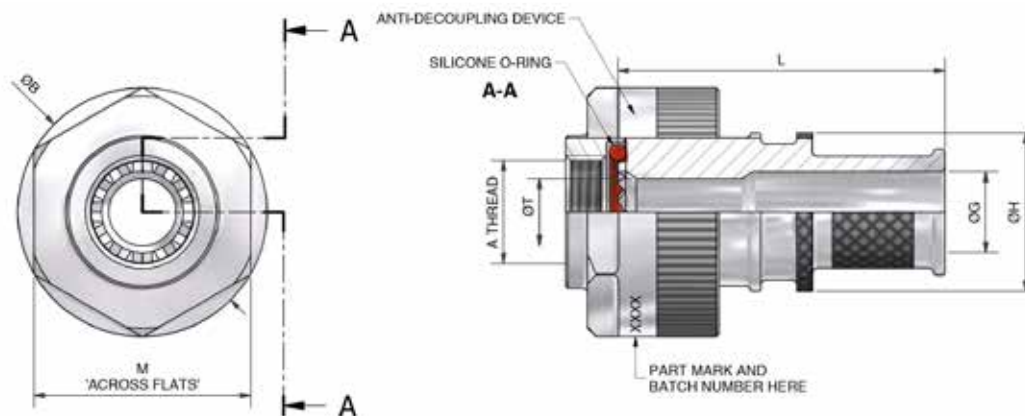


TABLE 1

SHELL SIZE	A THREAD	OB MAX	OT MIN	M A/F
08	7/16-28UNEF	24.4	6.6	21.2
10	9/16-24UNEF	25.6	10.1	21.2
12	11/16-24UNEF	28.5	12.9	24.4
14	13/16-20UNEF	31.6	16.1	27.6
16	15/16-20UNEF	36.6	19.3	30.8
18	1 1/16-18UNEF	39.6	21.7	34.1
20	1 3/16-18UNEF	41.1	24.9	37.1
22	1 5/16-18UNEF	44.2	28.1	40.3
24	1 7/16-18UNEF	46.5	31.3	43.5

TABLE 2

ENTRY SIZE	OG MIN	OH MAX
03	4.7	13.9
04	6.3	13.9
05	7.9	15.5
06	9.5	17.2
07	11.1	18.7
08	12.7	20.3
09	14.2	21.9
10	15.8	23.5
11	17.4	25.1
12	19.0	26.7
13	20.6	28.3
14	22.2	29.9
15	23.8	31.5
16	25.4	33.1
17	27.0	34.7
18	28.6	36.3
19	30.2	37.9
20	31.8	39.5
21	33.3	41.1
22	35.0	42.7
23	36.5	44.3
24	38.1	45.9

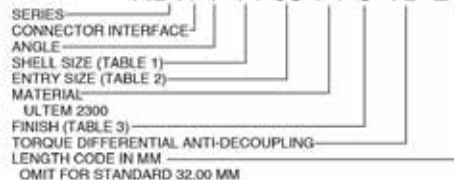
TABLE 3

CODE	MATERIAL / PLATING
74-C	ULTEM / ELECTROLESS NICKEL
74-B	ULTEM / CADMIUM OLIVE DRAB OVER ELECTROLESS NICKEL
74-ZB	ULTEM / ZINC COBALT OLIVE DRAB OVER ELECTROLESS NICKEL
74-ZN	ULTEM / ZINC NICKEL BLACK PASSIVATE OVER ELECTROLESS NICKEL
74-U	ULTEM / UNPLATED

LIST NOT EXHAUSTIVE. SEE PLATING TABLE FOR OTHER OPTIONS



XBTF1-14-08-74-C-TD-L40



For tooling and assembly instructions see www.polamco.com

- Backshell supplied without Band (see page 349)
- Sealing and strain relief achieved with Heat Shrink Boot (see page 354)
- Adhesive if required for assembly (see page 352)
- Screenbraid for EMC/RFI screening (see page 350)

DRAWING NOT TO SCALE, DIMENSIONS IN MM

SEE PAGES 18-26 FOR COMPLETE LIST OF AVAILABLE MATERIALS, FINISHES AND CONNECTOR INTERFACES (DIMENSIONS, FORM AND O RING SUBJECT TO CHANGE DEPENDING ON BACKSHELL MATERIAL AND CONNECTOR INTERFACE)

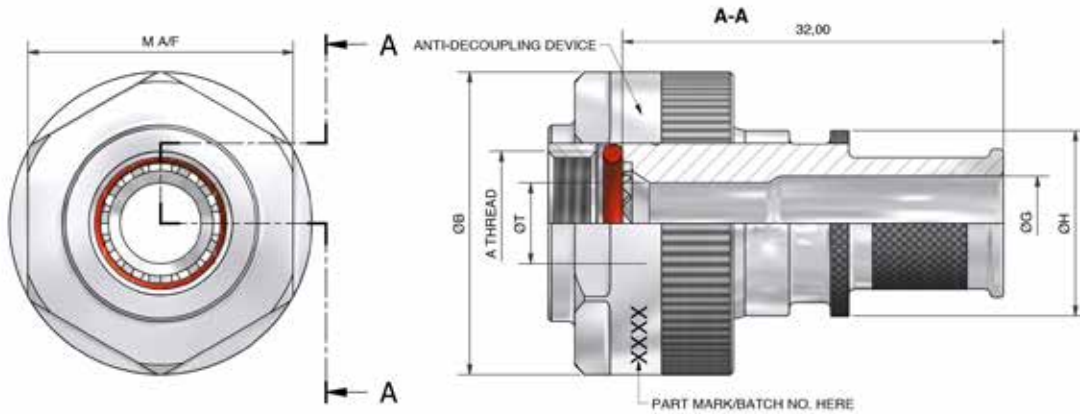
XBTH1 - Band Termination Composite

Interface H - MIL-DTL-38999 SERIES III & IV



Interconnect Solutions Worldwide

BAND TERMINATION



XBTH1-15-08-74-C-TD

SERIES
INTERFACE (H = MIL-DTL-38999 SERIES III & IV)
ANGLE (1 = STRAIGHT)
SHELL SIZE
ENTRY SIZE
MATERIAL (74 = ULTEM 2300)
FINISH (SEE TABLE 3 FOR OPTIONS)
TORQUE DIFFERENTIAL ANTI-DECOUPLING OPTION

SHELL SIZE	A THREAD	B MAX	T MIN	MA/F
09	M12 x 1.0	25.4	6.7	22.2
11	M15 x 1.0	26.6	10.2	22.2
13	M18 x 1.0	29.5	13.5	25.4
15	M22 x 1.0	32.6	16.2	26.6
17	M25 x 1.0	37.6	19.4	31.8
19	M28 x 1.0	40.8	21.8	35.1
21	M31 x 1.0	42.1	25.1	38.1
23	M34 x 1.0	45.2	28.2	41.3
25	M37 x 1.0	47.5	31.4	44.5

ENTRY SIZE	GMIN	HMAX
03	4.7	13.9
04	6.3	13.9
05	7.9	15.5
06	9.5	17.2
07	11.1	18.7
08	12.7	20.3
09	14.2	21.9
10	15.8	23.5
11	17.4	25.1
12	19.0	26.7
13	20.6	28.3
14	22.2	29.9
15	23.8	31.5
16	25.4	33.1
17	27.0	34.7
18	28.6	36.3
19	30.2	37.9
20	31.8	39.5
21	33.3	41.1
22	35.0	42.7
23	36.5	44.3
24	38.1	45.9

CODE	MATERIAL / PLATING
74-C	ULTEM / ELECTROLESS NICKEL
74-B	ULTEM / CADMIUM OLIVE DRAB OVER ELECTROLESS NICKEL
74-ZB	ULTEM / ZINC COBALT OLIVE DRAB OVER ELECTROLESS NICKEL
74-ZN	ULTEM / ZINC NICKEL BLACK PASSIVATE OVER ELECTROLESS NICKEL
74-U	ULTEM / UNPLATED

For tooling and assembly instructions see www.polamco.com

- Backshell supplied without Band (see page 349)
- Sealing and strain relief achieved with Heat Shrink Boot (see page 354)
- Adhesive if required for assembly (see page 352)
- Screenbraid for EMC/RFI screening (see page 350)

DRAWING NOT TO SCALE, DIMENSIONS IN MM

SEE PAGES 18-26 FOR COMPLETE LIST OF AVAILABLE MATERIALS, FINISHES AND CONNECTOR INTERFACES (DIMENSIONS, FORM AND O RING SUBJECT TO CHANGE DEPENDING ON BACKSHELL MATERIAL AND CONNECTOR INTERFACE)

XBTH1-F - Band Termination Composite

Interface H - MIL-DTL-38999 SERIES III & IV



Interconnect Solutions Worldwide

BAND TERMINATION

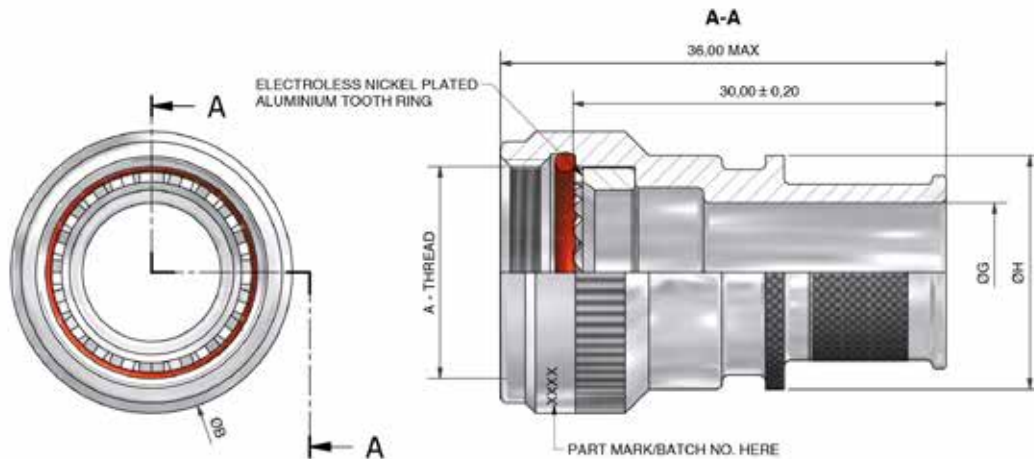


TABLE 1

SHELL SIZE	A THREAD	B MAX
09	M12 x 1.0	16.5
11	M15 x 1.0	19.6
13	M18 x 1.0	22.6
15	M22 x 1.0	26.2
17	M25 x 1.0	29.2
19	M28 x 1.0	32.5
21	M31 x 1.0	35.8
23	M34 x 1.0	38.9
25	M37 x 1.0	42.2

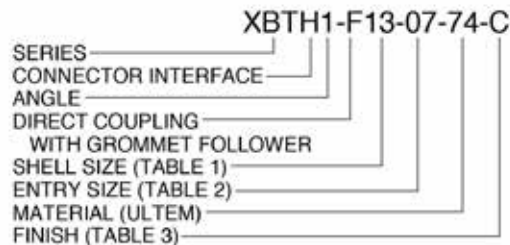
TABLE 2

ENTRY SIZE	GMIN	HMAX
03	4.7	13.9
04	6.3	13.9
05	7.9	15.5
06	9.5	17.2
07	11.1	18.7
08	12.7	20.3
09	14.2	21.9
10	15.8	23.5
11	17.4	25.1
12	19.0	26.7
13	20.6	28.3
14	22.2	29.9
15	23.8	31.5
16	25.4	33.1
17	27.0	34.7
18	28.6	36.3
19	30.2	37.9
20	31.8	39.5
21	33.3	41.1
22	35.0	42.7
23	36.5	44.3
24	38.1	45.9

TABLE 3

CODE	MATERIAL / PLATING
74-C	ULTEM / ELECTROLESS NICKEL
74-B	ULTEM / CADMIUM OLIVE DRAB OVER ELECTROLESS NICKEL
74-ZB	ULTEM / ZINC COBALT OLIVE DRAB OVER ELECTROLESS NICKEL
74-ZN	ULTEM / ZINC NICKEL BLACK PASSIVATE OVER ELECTROLESS NICKEL
74-U	ULTEM / UNPLATED

LIST NOT EXHAUSTIVE, SEE PLATING TABLE FOR OTHER OPTIONS



For tooling and assembly instructions see www.polamco.com

- Backshell supplied without Band (see page 349)
- Sealing and strain relief achieved with Heat Shrink Boot (see page 354)
- Adhesive if required for assembly (see page 352)
- Screenbraid for EMC/RFI screening (see page 350)

DRAWING NOT TO SCALE, DIMENSIONS IN MM

SEE PAGES 18-26 FOR COMPLETE LIST OF AVAILABLE MATERIALS, FINISHES AND CONNECTOR INTERFACES (DIMENSIONS, FORM AND O RING SUBJECT TO CHANGE DEPENDING ON BACKSHELL MATERIAL AND CONNECTOR INTERFACE)

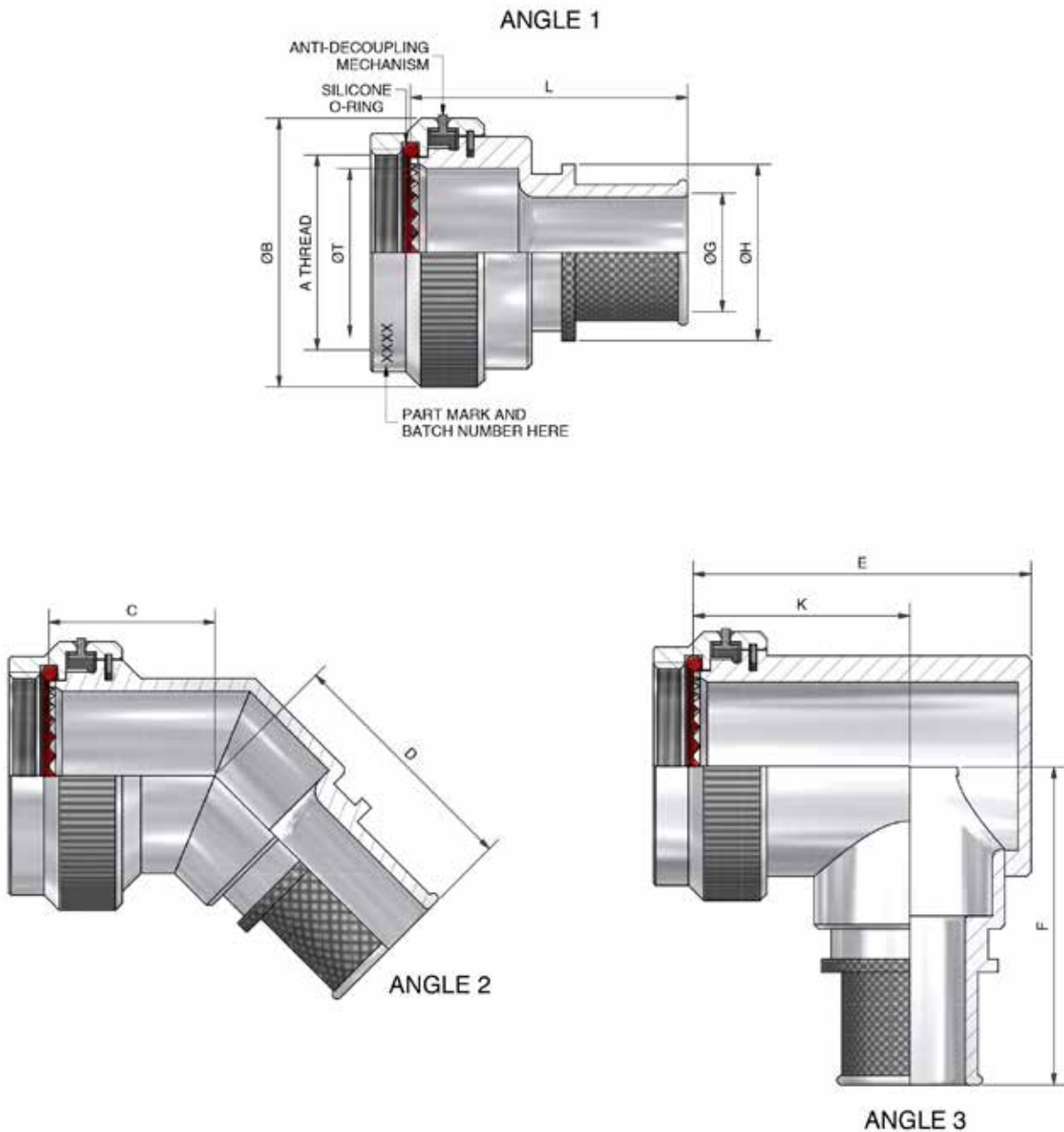
BTF (AD) - Band Termination Anti-Decoupling

Interface F - MIL-DTL-38999 SERIES I



Interconnect Solutions Worldwide

BAND TERMINATION



DRAWING NOT TO SCALE, DIMENSIONS IN MM

SEE PAGES 18-26 FOR COMPLETE LIST OF AVAILABLE MATERIALS, FINISHES AND CONNECTOR INTERFACES
(DIMENSIONS, FORM AND O RING SUBJECT TO CHANGE DEPENDING ON BACKSHELL MATERIAL AND CONNECTOR INTERFACE)

BTF (AD) - Band Termination Anti-Decoupling

Interface F - MIL-DTL-38999 SERIES I



Interconnect Solutions Worldwide

BAND TERMINATION

TABLE 1

SHELL SIZE	A THREAD	ØB MAX	ØT MIN	C ± 0,5	D ± 0,5	E MAX	F MAX	K ± 0,5	L ±0,25
08	7/16 - 28UNEF	17,3	6,7	16,4	25,7	26,0	30,5	18,5	32,0
10	9/16 - 24UNEF	20,3	10,2	17,2	26,9	29,5	32,2	20,5	32,0
12	11/16 - 24UNEF	23,8	13,1	17,6	27,3	32,5	33,7	21,5	32,0
14	13/16 - 20UNEF	26,8	16,2	18,5	28,2	35,5	35,2	23,5	32,0
16	15/16 - 20UNEF	29,8	19,3	19,2	29,0	39,0	36,9	25,0	32,0
18	1 1/16 - 18UNEF	33,3	22,3	19,6	29,3	43,0	38,5	26,5	32,0
20	1 3/16 - 18UNEF	36,3	25,3	20,4	30,1	45,5	41,1	28,5	32,0
22	1 5/16 - 18UNEF	39,8	28,4	20,8	30,5	48,5	41,6	29,5	32,0
24	1 7/16 - 18UNEF	42,8	31,5	21,7	31,4	51,5	43,1	31,5	32,0

TABLE 2

ENTRY SIZE	ØG MIN	ØH MAX
03	4,7	13,9
04	6,3	13,9
05	7,9	15,5
06	9,5	17,2
07	11,1	18,7
08	12,7	20,3
09	14,2	21,9
10	15,8	23,5
11	17,4	25,1
12	19,0	26,7
13	20,6	28,3
14	22,2	29,9
15	23,8	31,5
16	25,4	33,1
17	27,0	34,7
18	28,6	36,3
19	30,2	37,9
20	31,8	39,5
21	33,3	41,1
22	35,0	42,7
23	36,5	44,3
24	38,1	45,9

TABLE 3

CODE	FINISH
C	ELECTROLESS NICKEL
B	CADMIUM OLIVE DRAB OVER ELECTROLESS NICKEL
ZB	ZINC COBALT OLIVE DRAB OVER ELECTROLESS NICKEL
ZN	ZINC NICKEL BLACK PASSIVATE OVER ELECTROLESS NICKEL

LIST NOT EXHAUSTIVE, SEE PLATING TABLE FOR OTHER OPTIONS

BTF1-16-08-1-B-AD-L50

SERIES _____
CONNECTOR INTERFACE _____
ANGLE _____
SHELL SIZE (TABLE 1) _____
ENTRY SIZE (TABLE 2) _____
MATERIAL _____
ALUMINIUM ALLOY _____
FINISH (TABLE 3) _____
ANTI-DECOUPLING _____
OPTIONAL LENGTH (STRAIGHT ONLY) _____
IN MM - OMIT FOR STANDARD

For tooling and assembly instructions see www.polamco.com

- Backshell supplied without Band (see page 349)
- Sealing and strain relief achieved with Heat Shrink Boot (see page 354)
- Adhesive if required for assembly (see page 352)
- Screenbraid for EMC/RFI screening (see page 350)

DRAWING NOT TO SCALE, DIMENSIONS IN MM

SEE PAGES 18-26 FOR COMPLETE LIST OF AVAILABLE MATERIALS, FINISHES AND CONNECTOR INTERFACES (DIMENSIONS, FORM AND O RING SUBJECT TO CHANGE DEPENDING ON BACKSHELL MATERIAL AND CONNECTOR INTERFACE)

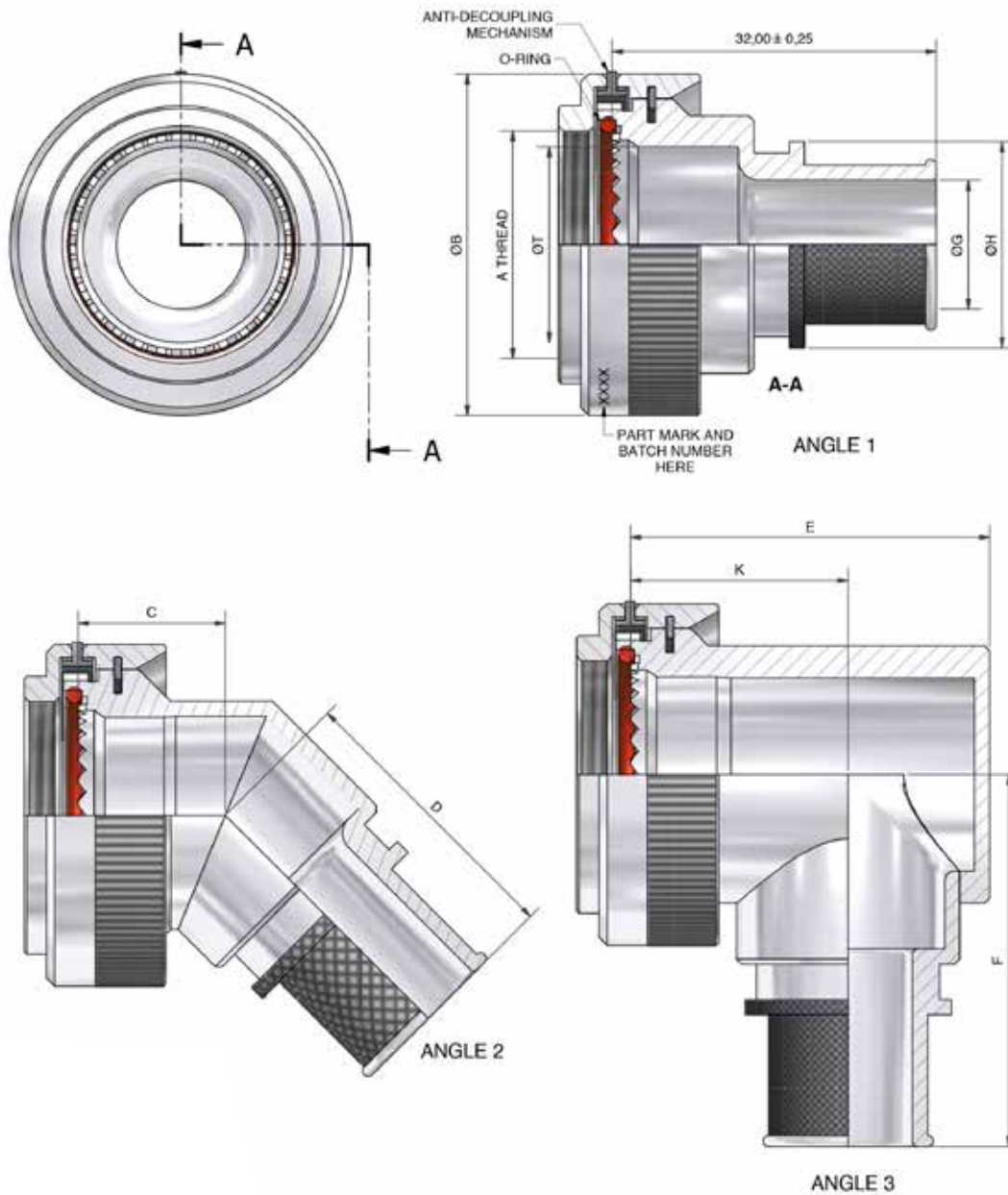
BTF (AD) - Band Termination Anti-Decoupling

Interface F - MIL-DTL-38999 SERIES II



Interconnect Solutions Worldwide

BAND TERMINATION



DRAWING NOT TO SCALE, DIMENSIONS IN MM

SEE PAGES 18-26 FOR COMPLETE LIST OF AVAILABLE MATERIALS, FINISHES AND CONNECTOR INTERFACES
(DIMENSIONS, FORM AND O RING SUBJECT TO CHANGE DEPENDING ON BACKSHELL MATERIAL AND CONNECTOR INTERFACE)

BTF (AD) - Band Termination Anti-Decoupling

Interface F - MIL-DTL-38999 SERIES II



Interconnect Solutions Worldwide

BAND TERMINATION

TABLE 1

SHELL SIZE	A THREAD	ØB MAX	ØT MIN	C ±0,5	D MAX	E MAX	F MAX	K ±0,5
09	7/16-28UNEF	20,3	6,7	16,4	25,7	22,7	30,5	15,0
11	9/16-24UNEF	23,9	10,2	17,2	26,9	26,2	32,2	17,0
13	11/16-24UNEF	28,3	13,1	17,6	27,3	29,2	33,7	18,0
15	13/16-20UNEF	31,3	16,0	18,5	28,2	32,2	35,2	20,0
17	15/16-20UNEF	33,7	19,2	19,2	29,0	35,7	36,9	21,5
19	1 1/16-18UNEF	36,0	21,7	19,6	29,3	39,7	38,5	23,0
21	1 3/16-18UNEF	38,6	25,0	20,4	30,1	42,2	40,1	25,0
23	1 5/16-18UNEF	42,0	28,3	20,8	30,5	45,2	41,6	26,0
25	1 7/16-18UNEF	46,0	31,5	21,7	31,4	48,2	43,1	28,0

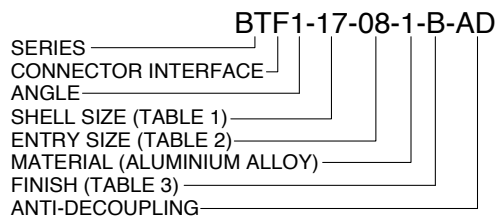
TABLE 2

ENTRY SIZE	ØG MIN	ØH MAX
03	4,7	13,9
04	6,3	13,9
05	7,9	15,5
06	9,5	17,2
07	11,1	18,7
08	12,7	20,3
09	14,2	21,9
10	15,8	23,5
11	17,4	25,1
12	19,0	26,7
13	20,6	28,3
14	22,2	29,9
15	23,8	31,5
16	25,4	33,1
17	27,0	34,7
18	28,6	36,3
19	30,2	37,9
20	31,8	39,5
21	33,3	41,1
22	35,0	42,7
23	36,5	44,3
24	38,1	45,9

TABLE 3

CODE	FINISH
C	ELECTROLESS NICKEL
B	CADMIUM OLIVE DRAB OVER ELECTROLESS NICKEL
ZB	ZINC COBALT OLIVE DRAB OVER ELECTROLESS NICKEL
ZN	ZINC NICKEL BLACK PASSIVATE OVER ELECTROLESS NICKEL

LIST NOT EXHAUSTIVE, SEE PLATING TABLE FOR OTHER OPTIONS



For tooling and assembly instructions see www.polamco.com

- Backshell supplied without Band (see page 349)
- Sealing and strain relief achieved with Heat Shrink Boot (see page 354)
- Adhesive if required for assembly (see page 352)
- Screenbraid for EMC/RFI screening (see page 350)

DRAWING NOT TO SCALE, DIMENSIONS IN MM

SEE PAGES 18-26 FOR COMPLETE LIST OF AVAILABLE MATERIALS, FINISHES AND CONNECTOR INTERFACES
(DIMENSIONS, FORM AND O RING SUBJECT TO CHANGE DEPENDING ON BACKSHELL MATERIAL AND CONNECTOR INTERFACE)

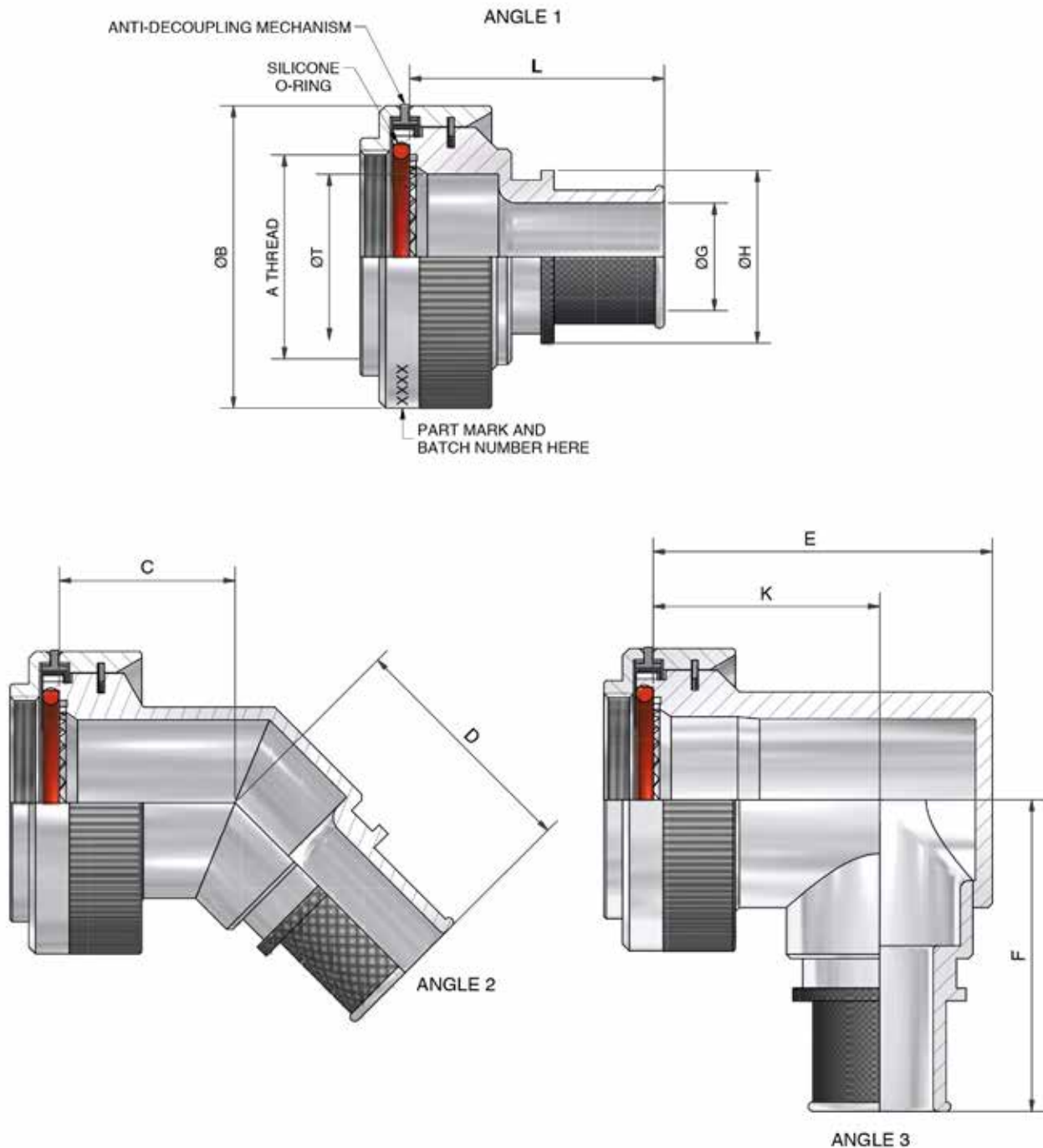
BTH (AD) - Band Termination Anti-Decoupling

Interface H - MIL-DTL-38999 SERIES III & IV



Interconnect Solutions Worldwide

BAND TERMINATION



DRAWING NOT TO SCALE, DIMENSIONS IN MM

SEE PAGES 18-26 FOR COMPLETE LIST OF AVAILABLE MATERIALS, FINISHES AND CONNECTOR INTERFACES
(DIMENSIONS, FORM AND O RING SUBJECT TO CHANGE DEPENDING ON BACKSHELL MATERIAL AND CONNECTOR INTERFACE)

BTH (AD) - Band Termination Anti-Decoupling

Interface H - MIL-DTL-38999 SERIES III & IV



Interconnect Solutions Worldwide

BAND TERMINATION

TABLE 1

SHELL SIZE	A THREAD	ØB MAX	ØT MIN	C MAX	D MAX	E MAX	F MAX	K ±0,5	L ±0,25
09	M12 x 1.0	21,5	6,7	18,6	24,7	25,5	30,5	17,5	32,0
11	M15 x 1.0	24,6	10,2	19,2	25,9	26,5	32,2	17,5	32,0
13	M18 x 1.0	28,3	13,5	19,8	26,3	31,0	33,7	20,0	32,0
15	M22 x 1.0	32,4	16,2	20,2	27,2	37,0	35,2	24,5	32,0
17	M25 x 1.0	35,6	19,4	21,0	28,0	40,0	36,9	26,7	32,0
19	M28 x 1.0	38,5	21,8	21,3	28,3	44,5	38,5	27,0	32,0
21	M31 x 1.0	41,7	25,1	22,0	29,6	49,0	40,1	30,5	32,0
23	M34 x 1.0	43,9	28,2	22,7	29,5	51,5	41,6	31,5	32,0
25	M37 x 1.0	47,0	31,4	23,3	30,4	53,0	43,1	28,5	32,0

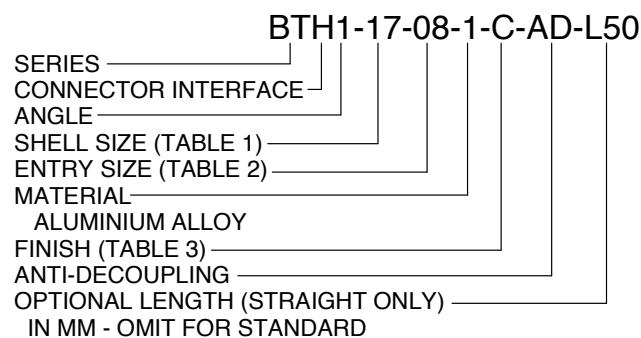
TABLE 2

ENTRY SIZE	ØG MIN	ØH MAX
03	4,7	13,9
04	6,3	13,9
05	7,9	15,5
06	9,5	17,2
07	11,1	18,7
08	12,7	20,3
09	14,2	21,9
10	15,8	23,5
11	17,4	25,1
12	19,0	26,7
13	20,6	28,3
14	22,2	29,9
15	23,8	31,5
16	25,4	33,1
17	27,0	34,7
18	28,6	36,3
19	30,2	37,9
20	31,8	39,5
21	33,3	41,1
22	35,0	42,7
23	36,5	44,3
24	38,1	45,9

TABLE 3

CODE	FINISH
C	ELECTROLESS NICKEL
B	CADMIUM OLIVE DRAB OVER ELECTROLESS NICKEL
ZB	ZINC COBALT OLIVE DRAB OVER ELECTROLESS NICKEL
ZN	ZINC NICKEL BLACK PASSIVATE OVER ELECTROLESS NICKEL

LIST NOT EXHAUSTIVE, SEE PLATING TABLE FOR OTHER OPTIONS



For tooling and assembly instructions see www.polamco.com

- Backshell supplied without Band (see page 349)
- Sealing and strain relief achieved with Heat Shrink Boot (see page 354)
- Adhesive if required for assembly (see page 352)
- Screenbraid for EMC/RFI screening (see page 350)

DRAWING NOT TO SCALE, DIMENSIONS IN MM

SEE PAGES 18-26 FOR COMPLETE LIST OF AVAILABLE MATERIALS, FINISHES AND CONNECTOR INTERFACES
(DIMENSIONS, FORM AND O RING SUBJECT TO CHANGE DEPENDING ON BACKSHELL MATERIAL AND CONNECTOR INTERFACE)

BTF3C - Band Termination Cobra Head

Interface F - MIL-DTL-38999 SERIES I & II



Interconnect Solutions Worldwide

BAND TERMINATION

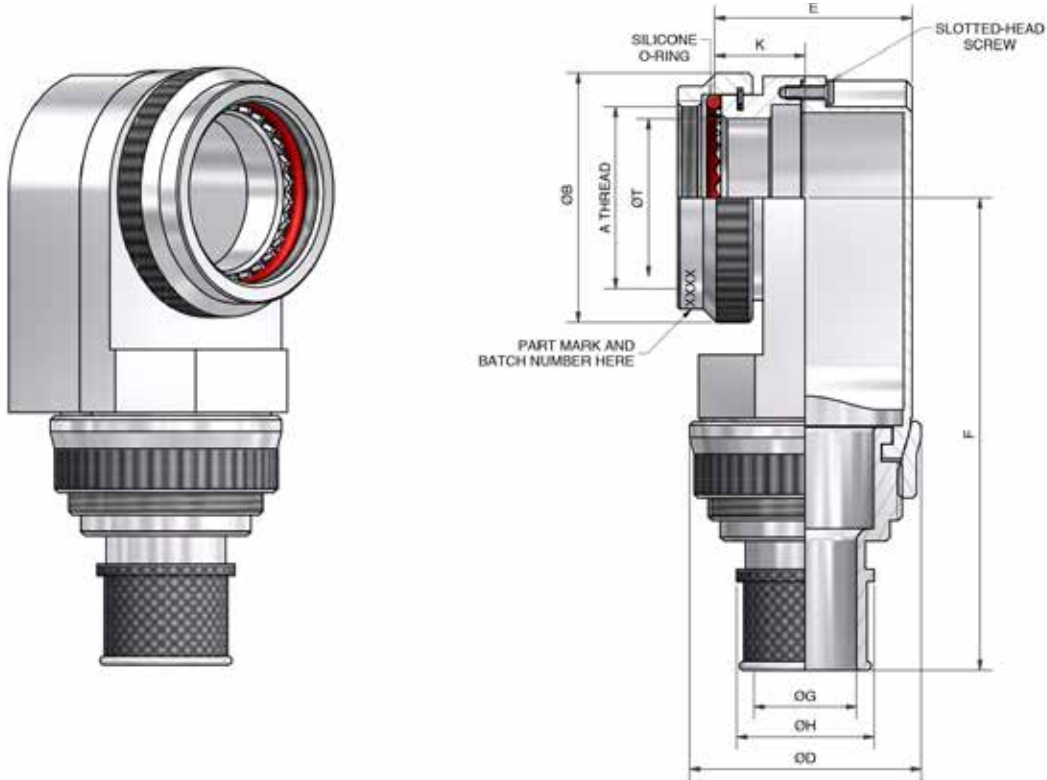


TABLE 1

DASH NO.	SHELL SIZE SERIES I	SHELL SIZE SERIES II	A THREAD	OB MAX	OT MIN	OD MAX	E MAX	F MAX	K +/-0.5	MAX ENTRY
08	09	08	7/16-28 UNEF	18.3	6.6	18.7	17.7	48.6	6.7	04
10	11	10	9/16-24 UNEF	21.5	10.1	21.7	19.0	52.7	6.7	06
12	13	12	11/16-24 UNEF	24.5	12.9	24.7	22.1	52.7	6.7	08
14	15	14	13/16-20 UNEF	27.8	16.1	24.7	22.1	56.5	10.2	08
16	17	16	15/16-20 UNEF	30.8	19.3	28.7	25.1	58.8	11.2	10
18	19	18	1 1/16-18 UNEF	34.1	21.7	28.7	25.1	61.5	11.2	10
20	21	20	1 3/16-18 UNEF	37.3	24.9	28.7	25.1	62.5	11.2	10
22	23	22	1 5/16-18 UNEF	40.5	28.1	31.7	28.1	65.0	12.7	12
24	25	24	1 7/16-18 UNEF	43.7	31.3	31.7	28.1	66.5	12.7	12

TABLE 2

ENTRY SIZE	OG MIN	OH MAX
03	4.77	9.4
04	6.35	11.0
05	7.92	12.6
06	9.52	14.0
07	11.10	15.7
08	12.70	17.0
09	14.27	19.9
10	15.88	20.4
11	17.47	22.1
12	19.05	23.6

TABLE 3

CODE	MATERIAL / PLATING
1-C	ALUMINIUM / ELECTROLESS NICKEL
1-B	ALUMINIUM / CADMIUM OLIVE DRAB OVER ELECTROLESS NICKEL
1-ZB	ALUMINIUM / ZINC COBALT OLIVE DRAB OVER ELECTROLESS NICKEL
1-ZN	ALUMINIUM / ZINC NICKEL BLACK PASSIVATE OVER ELECTROLESS NICKEL
4-J	STAINLESS STEEL / PASSIVATE
2-Z	NICKEL ALUMINIUM BRONZE / SHOT BLAST NON REFLECTIVE

LIST NOT EXHAUSTIVE. SEE PLATING TABLE FOR OTHER OPTIONS

BTF3C-16-08-1-C

SERIES
CONNECTOR INTERFACE
ANGLE (3 - 90°)
COBRA HEAD STYLE
DASH NO. (TABLE 1)
ENTRY SIZE (TABLE 2)
MATERIAL (TABLE 3)
PLATING (TABLE 3)

For tooling and assembly instructions see www.polamco.com

- Backshell supplied without Band (see page 349)
- Sealing and strain relief achieved with Heat Shrink Boot (see page 354)
- Adhesive if required for assembly (see page 352)
- Screenbraid for EMC/RFI screening (see page 350)

DRAWING NOT TO SCALE, DIMENSIONS IN MM

SEE PAGES 18-26 FOR COMPLETE LIST OF AVAILABLE MATERIALS, FINISHES AND CONNECTOR INTERFACES (DIMENSIONS, FORM AND O RING SUBJECT TO CHANGE DEPENDING ON BACKSHELL MATERIAL AND CONNECTOR INTERFACE)

BTH3C - Band Termination Cobra Head

Interface H - MIL-DTL-38999 SERIES III & IV



Interconnect Solutions Worldwide

BAND TERMINATION

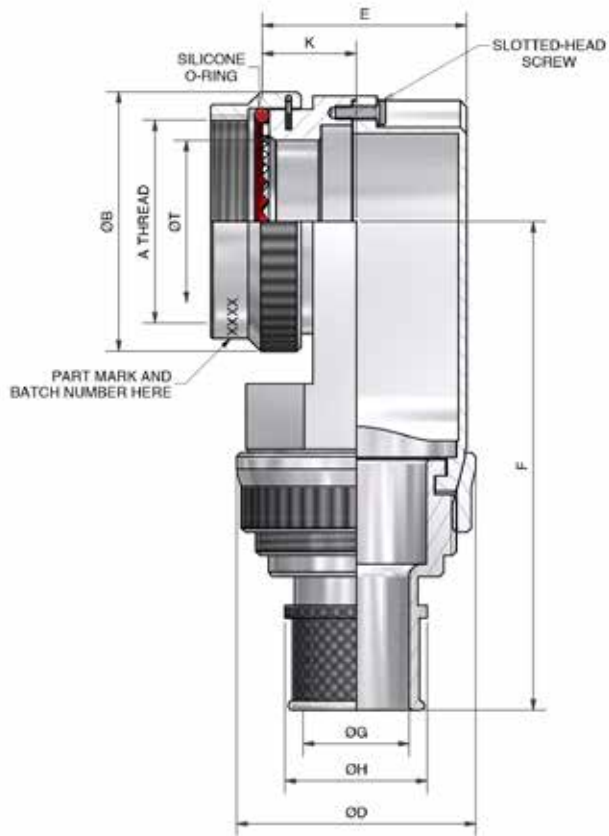


TABLE 1

SHELL SIZE	A THREAD	ØB MAX	ØT MIN	ØD MAX	E MAX	F MAX	K ±0.5	MAX ENTRY
09	M12 x 1.0	18.0	6.7	18.7	17.7	48.6	8.7	04
11	M15 x 1.0	21.0	10.2	21.7	19.0	52.7	8.7	06
13	M18 x 1.0	24.5	13.5	24.7	22.1	52.7	8.7	08
15	M22 x 1.0	27.5	16.2	24.7	22.1	56.5	10.2	08
17	M25 x 1.0	31.0	19.4	28.7	25.1	58.8	11.2	10
19	M28 x 1.0	34.0	21.8	28.7	25.1	61.5	11.2	10
21	M31 x 1.0	37.0	25.1	28.7	25.1	62.5	11.2	10
23	M34 x 1.0	40.0	28.2	31.7	28.1	65.0	12.7	12
25	M37 x 1.0	43.5	31.4	31.7	28.1	66.5	12.7	12

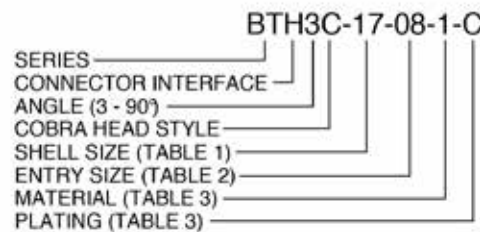
TABLE 2

ENTRY SIZE	ØG MIN	ØH MAX
03	4.77	9.4
04	6.35	11.0
05	7.92	12.6
06	9.52	14.0
07	11.10	15.7
08	12.70	17.0
09	14.27	19.9
10	15.88	20.4
11	17.47	22.1
12	19.05	23.6

TABLE 3

CODE	MATERIAL / PLATING
1-C	ALUMINIUM / ELECTROLESS NICKEL
1-B	ALUMINIUM / CADMIUM OLIVE DRAB OVER ELECTROLESS NICKEL
1-ZB	ALUMINIUM / ZINC COBALT OLIVE DRAB OVER ELECTROLESS NICKEL
1-ZN	ALUMINIUM / ZINC NICKEL BLACK PASSIVATE OVER ELECTROLESS NICKEL
4-J	STAINLESS STEEL / PASSIVATE
2-Z	NICKEL ALUMINIUM BRONZE / SHOT BLAST NON REFLECTIVE

LIST NOT EXHAUSTIVE, SEE PLATING TABLE FOR OTHER OPTIONS



For tooling and assembly instructions see www.polamco.com

- Backshell supplied without Band (see page 349)
- Sealing and strain relief achieved with Heat Shrink Boot (see page 354)
- Adhesive if required for assembly (see page 352)
- Screenbraid for EMC/RFI screening (see page 350)

DRAWING NOT TO SCALE, DIMENSIONS IN MM

SEE PAGES 18-26 FOR COMPLETE LIST OF AVAILABLE MATERIALS, FINISHES AND CONNECTOR INTERFACES
(DIMENSIONS, FORM AND O RING SUBJECT TO CHANGE DEPENDING ON BACKSHELL MATERIAL AND CONNECTOR INTERFACE)

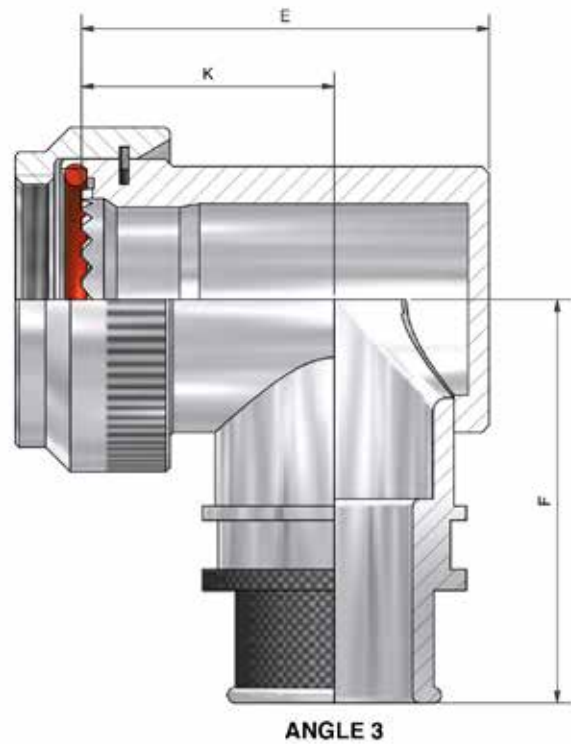
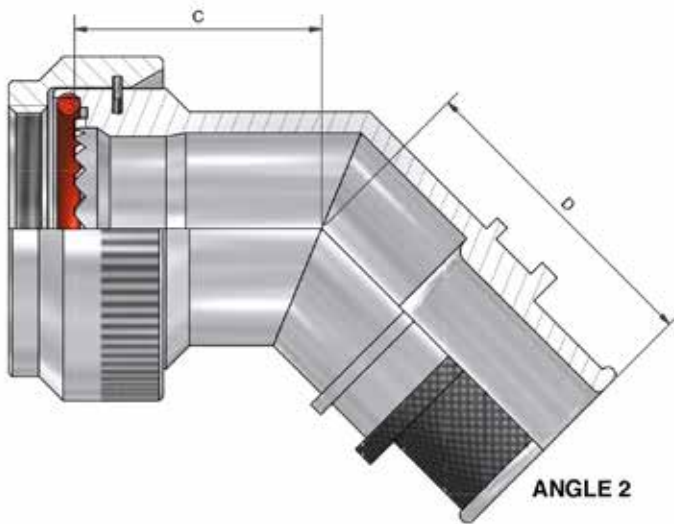
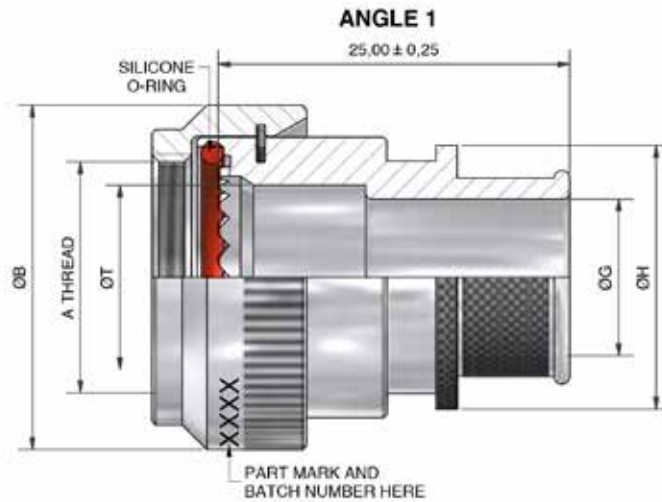
MBF - Micro Band Termination

Interface F - MIL-DTL-38999 SERIES I



Interconnect Solutions Worldwide

BAND TERMINATION



DRAWING NOT TO SCALE, DIMENSIONS IN MM

SEE PAGES 18-26 FOR COMPLETE LIST OF AVAILABLE MATERIALS, FINISHES AND CONNECTOR INTERFACES (DIMENSIONS, FORM AND O RING SUBJECT TO CHANGE DEPENDING ON BACKSHELL MATERIAL AND CONNECTOR INTERFACE)

MBF - Micro Band Termination

Interface F - MIL-DTL-38999 SERIES I



Interconnect Solutions Worldwide

BAND TERMINATION

TABLE 1

SHELL SIZE	A THREAD	ØB MAX	ØT MIN	C ±0,5	D MAX	E MAX	F MAX	K ±0,5
09	7/16-28 UNEF	18,0	6,8	16,4	20,7	22,7	25,5	15,0
11	9/16-24 UNEF	21,0	10,2	17,2	21,9	26,2	27,2	17,0
13	11/16-24 UNEF	24,5	13,1	17,6	22,3	29,2	28,7	18,0
15	13/16-20 UNEF	27,8	16,2	18,5	23,2	32,2	30,2	20,0
17	15/16-20 UNEF	30,8	19,3	19,2	24,0	35,7	31,9	21,5
19	1 1/16-18 UNEF	34,1	22,3	19,6	24,3	39,7	33,5	23,0
21	1 3/16-18 UNEF	37,3	25,8	20,4	25,1	42,2	36,1	25,0
23	1 5/16-18 UNEF	41,0	28,3	20,8	25,5	45,2	36,6	26,0
25	1 7/16-18 UNEF	43,7	31,5	21,7	26,4	48,2	38,1	28,0

TABLE 2

ENTRY SIZE	ØG MIN	ØH MAX
03	4,7	13,9
04	6,3	13,9
05	7,9	15,5
06	9,5	17,2
07	11,1	18,7
08	12,7	20,3
09	14,2	21,9
10	15,8	23,5
11	17,4	25,1
12	19,0	26,7
13	20,6	28,3
14	22,2	29,9
15	23,8	31,5
16	25,4	33,1
17	27,0	34,7
18	28,6	36,3
19	30,2	37,9
20	31,8	39,5
21	33,3	41,1
22	35,0	42,7
23	36,5	44,3
24	38,1	45,9

TABLE 3

CODE	MATERIAL / PLATING
1-C	ALUMINIUM / ELECTROLESS NICKEL
1-B	ALUMINIUM / CADMIUM OLIVE DRAB OVER ELECTROLESS NICKEL
1-ZB	ALUMINIUM / ZINC COBALT OLIVE DRAB OVER ELECTROLESS NICKEL
1-ZN	ALUMINIUM / ZINC NICKEL BLACK PASSIVATE OVER ELECTROLESS NICKEL

LIST NOT EXHAUSTIVE, SEE PLATING TABLE FOR OTHER OPTIONS

MBF1-13-07-1-C

SERIES _____
CONNECTOR INTERFACE _____
ANGLE _____
SHELL SIZE (TABLE 1) _____
ENTRY SIZE (TABLE 2) _____
MATERIAL _____
ALUMINIUM ALLOY _____
FINISH (TABLE 3) _____

For tooling and assembly instructions see www.polamco.com

- Backshell supplied without Band (see page 349)
- Sealing and strain relief achieved with Heat Shrink Boot (see page 354)
- Adhesive if required for assembly (see page 352)
- Screenbraid for EMC/RFI screening (see page 350)

DRAWING NOT TO SCALE, DIMENSIONS IN MM

SEE PAGES 18-26 FOR COMPLETE LIST OF AVAILABLE MATERIALS, FINISHES AND CONNECTOR INTERFACES (DIMENSIONS, FORM AND O RING SUBJECT TO CHANGE DEPENDING ON BACKSHELL MATERIAL AND CONNECTOR INTERFACE)

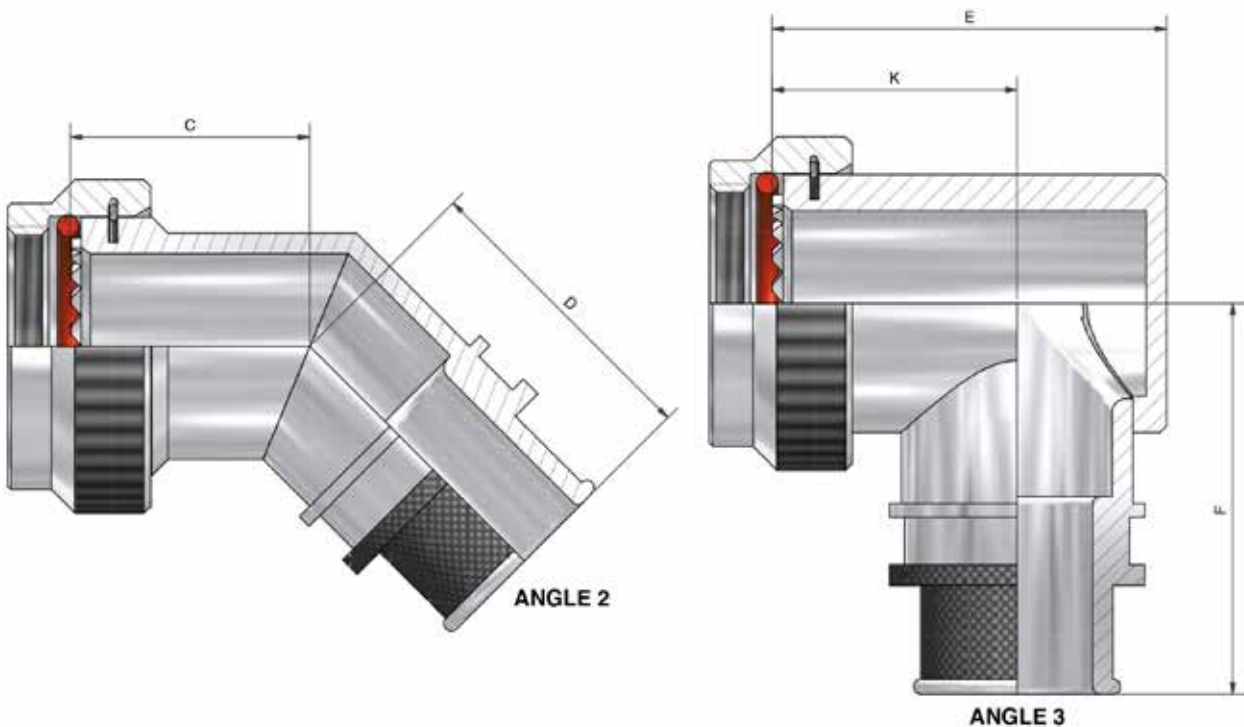
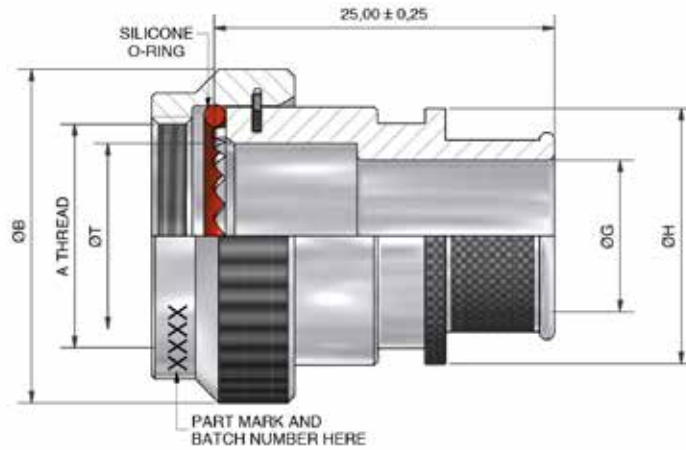
MBF - Micro Band Termination

Interface F - MIL-DTL-38999 SERIES II



Interconnect Solutions Worldwide

BAND TERMINATION



DRAWING NOT TO SCALE, DIMENSIONS IN MM

SEE PAGES 18-26 FOR COMPLETE LIST OF AVAILABLE MATERIALS, FINISHES AND CONNECTOR INTERFACES (DIMENSIONS, FORM AND O RING SUBJECT TO CHANGE DEPENDING ON BACKSHELL MATERIAL AND CONNECTOR INTERFACE)

MBF - Micro Band Termination

Interface F - MIL-DTL-38999 SERIES II



Interconnect Solutions Worldwide

BAND TERMINATION

TABLE 1

SHELL SIZE	A THREAD	ØB MAX	ØT MIN	C ±0,5	D MAX	E MAX	F MAX	K ±0,5
08	7/16-28 UNEF	18,3	6,6	16,4	20,7	22,7	25,5	15,0
10	9/16-24 UNEF	21,5	10,1	17,2	21,9	26,2	27,2	17,0
12	11/16-24 UNEF	24,5	12,9	17,6	22,3	29,2	28,7	18,0
14	13/16-20 UNEF	27,8	16,1	18,5	23,2	32,2	30,2	20,0
16	15/16-20 UNEF	30,8	19,3	19,2	24,0	35,7	31,9	21,5
18	1 1/16-18 UNEF	34,1	21,7	19,6	24,3	39,7	33,5	23,0
20	1 3/16-18 UNEF	37,3	24,9	20,4	25,1	42,2	36,1	25,0
22	1 5/16-18 UNEF	40,5	28,1	20,8	25,5	45,2	36,6	26,0
24	1 7/16-18 UNEF	43,7	31,3	21,7	26,4	48,2	38,1	28,0

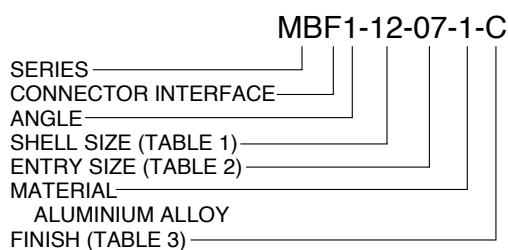
TABLE 2

ENTRY SIZE	ØG MIN	ØH MAX
03	4,7	13,9
04	6,3	13,9
05	7,9	15,5
06	9,5	17,2
07	11,1	18,7
08	12,7	20,3
09	14,2	21,9
10	15,8	23,5
11	17,4	25,1
12	19,0	26,7
13	20,6	28,3
14	22,2	29,9
15	23,8	31,5
16	25,4	33,1
17	27,0	34,7
18	28,6	36,3
19	30,2	37,9
20	31,8	39,5
21	33,3	41,1
22	35,0	42,7
23	36,5	44,3
24	38,1	45,9

TABLE 3

CODE	MATERIAL / PLATING
1-C	ALUMINIUM / ELECTROLESS NICKEL
1-B	ALUMINIUM / CADMIUM OLIVE DRAB OVER ELECTROLESS NICKEL
1-ZB	ALUMINIUM / ZINC COBALT OLIVE DRAB OVER ELECTROLESS NICKEL
1-ZN	ALUMINIUM / ZINC NICKEL BLACK PASSIVATE OVER ELECTROLESS NICKEL

LIST NOT EXHAUSTIVE, SEE PLATING TABLE FOR OTHER OPTIONS



For tooling and assembly instructions see www.polamco.com

- Backshell supplied without Band (see page 349)
- Sealing and strain relief achieved with Heat Shrink Boot (see page 354)
- Adhesive if required for assembly (see page 352)
- Screenbraid for EMC/RFI screening (see page 350)

DRAWING NOT TO SCALE, DIMENSIONS IN MM

SEE PAGES 18-26 FOR COMPLETE LIST OF AVAILABLE MATERIALS, FINISHES AND CONNECTOR INTERFACES (DIMENSIONS, FORM AND O RING SUBJECT TO CHANGE DEPENDING ON BACKSHELL MATERIAL AND CONNECTOR INTERFACE)

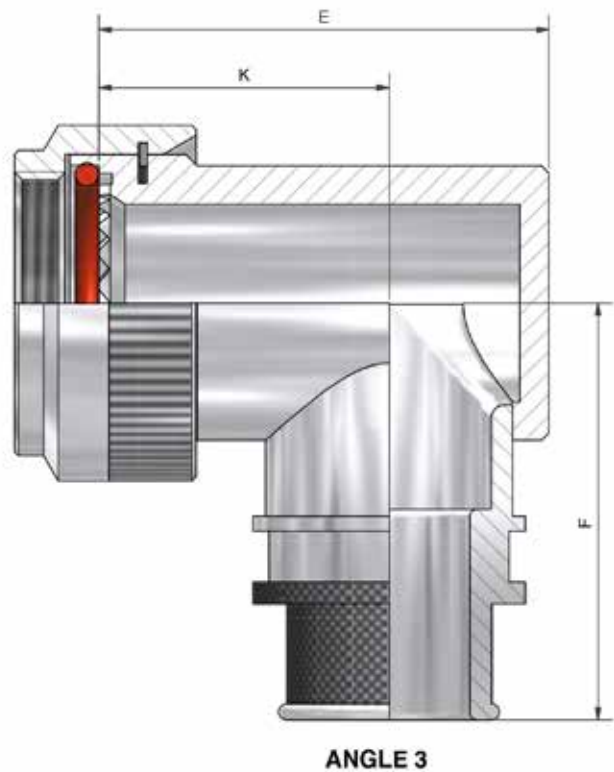
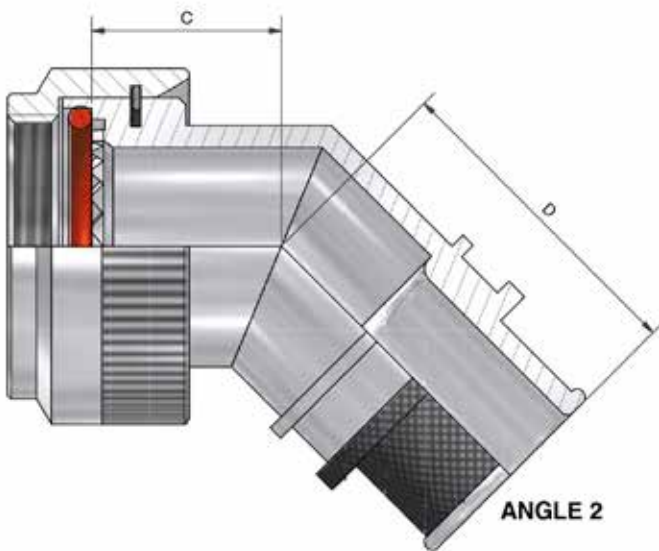
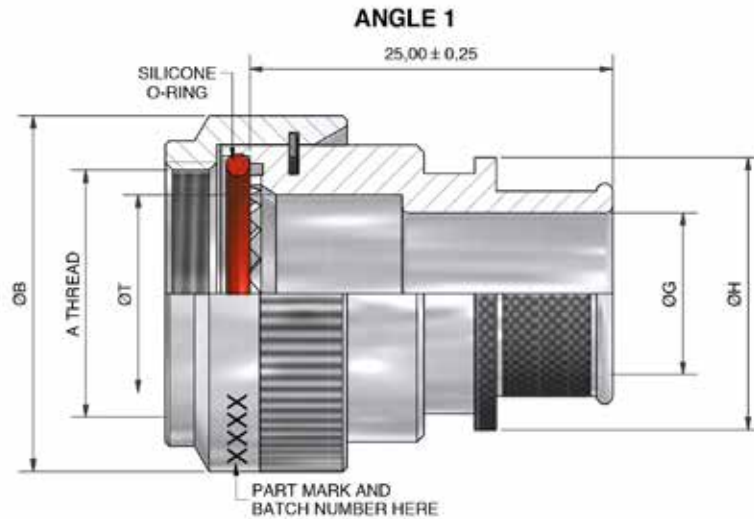
MBH - Micro Band Termination

Interface H - MIL-DTL-38999 SERIES III & IV



Interconnect Solutions Worldwide

BAND TERMINATION



DRAWING NOT TO SCALE, DIMENSIONS IN MM

SEE PAGES 18-26 FOR COMPLETE LIST OF AVAILABLE MATERIALS, FINISHES AND CONNECTOR INTERFACES (DIMENSIONS, FORM AND O RING SUBJECT TO CHANGE DEPENDING ON BACKSHELL MATERIAL AND CONNECTOR INTERFACE)

MBH - Micro Band Termination

Interface H - MIL-DTL-38999 SERIES III & IV



Interconnect Solutions Worldwide

BAND TERMINATION

TABLE 1

SHELL SIZE	A THREAD	ØB MAX	ØT MIN	C		D		E		F		K	
				±0,5	MAX	MAX	MAX	MAX	MAX	±0,5	MAX		
09	M12x1.0	18,0	6,7	13,1	20,7	25,7	25,5	17,5					
11	M15x1.0	21,0	10,2	13,9	21,9	26,7	27,2	17,5					
13	M18x1.0	24,5	13,5	14,5	22,3	31,2	28,7	20,0					
15	M22x1.0	29,0	16,2	15,5	23,2	37,2	30,2	24,5					
17	M25x1.0	32,5	19,4	16,1	24,0	40,2	31,9	26,7					
19	M28x1.0	35,5	21,8	16,8	24,3	44,7	33,5	27,0					
21	M31x1.0	37,0	25,1	17,1	25,1	49,2	36,1	30,5					
23	M34x1.0	40,0	28,2	17,7	25,5	51,7	36,6	31,5					
25	M37x1.0	43,5	31,4	18,4	26,4	53,2	38,1	28,5					

TABLE 2

ENTRY SIZE	ØG MIN	ØH MAX
03	4,7	13,9
04	6,3	13,9
05	7,9	15,5
06	9,5	17,2
07	11,1	18,7
08	12,7	20,3
09	14,2	21,9
10	15,8	23,5
11	17,4	25,1
12	19,0	26,7
13	20,6	28,3
14	22,2	29,9
15	23,8	31,5
16	25,4	33,1
17	27,0	34,7
18	28,6	36,3
19	30,2	37,9
20	31,8	39,5
21	33,3	41,1
22	35,0	42,7
23	36,5	44,3
24	38,1	45,9

TABLE 3

CODE	MATERIAL / PLATING
1-C	ALUMINIUM / ELECTROLESS NICKEL
1-B	ALUMINIUM / CADMIUM OLIVE DRAB OVER ELECTROLESS NICKEL
1-ZB	ALUMINIUM / ZINC COBALT OLIVE DRAB OVER ELECTROLESS NICKEL
1-ZN	ALUMINIUM / ZINC NICKEL BLACK PASSIVATE OVER ELECTROLESS NICKEL

LIST NOT EXHAUSTIVE, SEE PLATING TABLE FOR OTHER OPTIONS

MBH1-13-07-1-C

SERIES _____
CONNECTOR INTERFACE _____
ANGLE _____
SHELL SIZE (TABLE 1) _____
ENTRY SIZE (TABLE 2) _____
MATERIAL _____
ALUMINIUM ALLOY _____
FINISH (TABLE 3) _____

For tooling and assembly instructions see www.polamco.com

- Backshell supplied without Band (see page 349)
- Sealing and strain relief achieved with Heat Shrink Boot (see page 354)
- Adhesive if required for assembly (see page 352)
- Screenbraid for EMC/RFI screening (see page 350)

DRAWING NOT TO SCALE, DIMENSIONS IN MM

SEE PAGES 18-26 FOR COMPLETE LIST OF AVAILABLE MATERIALS, FINISHES AND CONNECTOR INTERFACES (DIMENSIONS, FORM AND O RING SUBJECT TO CHANGE DEPENDING ON BACKSHELL MATERIAL AND CONNECTOR INTERFACE)

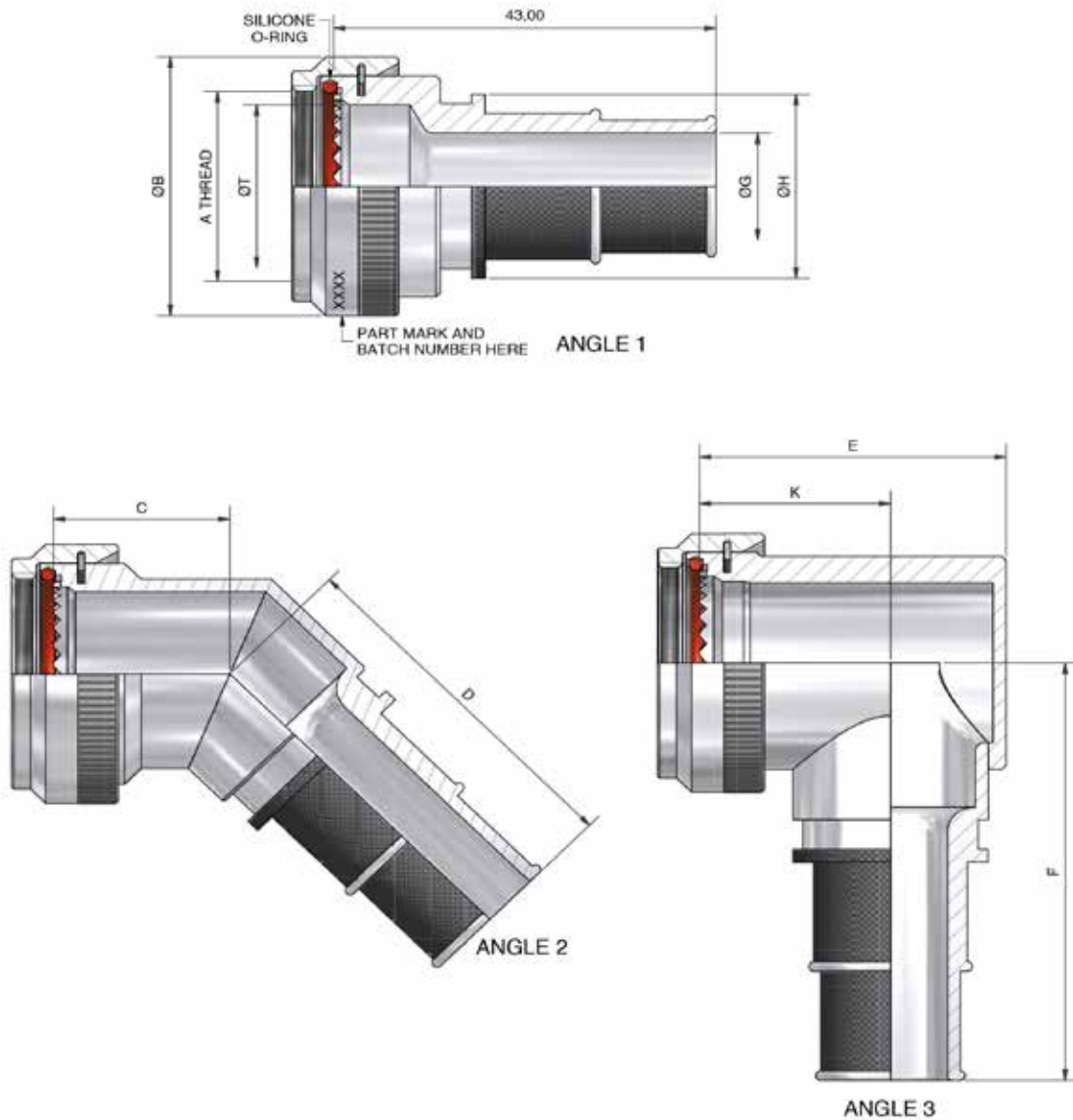
DBF - Double Band Termination

Interface F - MIL-DTL-38999 SERIES I



Interconnect Solutions Worldwide

BAND TERMINATION



DRAWING NOT TO SCALE, DIMENSIONS IN MM

SEE PAGES 18-26 FOR COMPLETE LIST OF AVAILABLE MATERIALS, FINISHES AND CONNECTOR INTERFACES
(DIMENSIONS, FORM AND O RING SUBJECT TO CHANGE DEPENDING ON BACKSHELL MATERIAL AND CONNECTOR INTERFACE)

DBF - Double Band Termination

Interface F - MIL-DTL-38999 SERIES I



Interconnect Solutions Worldwide

BAND TERMINATION

TABLE 1

SHELL SIZE	A THREAD	ØB MAX	ØT MIN	C ± 0,5	D MAX	E MAX	F MAX	K ±0,5
09	7/16-28UNEF	18,0	6,8	16,4	37,7	22,7	43,5	15,0
11	9/16-24UNEF	21,0	10,2	17,2	38,9	26,2	45,2	17,0
13	11/16-24UNEF	24,5	13,1	17,6	39,3	29,2	46,7	18,0
15	13/16-20UNEF	27,8	16,2	18,5	40,2	32,2	48,2	20,0
17	15/16-20UNEF	30,8	19,3	19,2	41,0	35,7	49,9	21,5
19	1 1/16-18UNEF	34,1	22,3	19,6	41,0	39,7	51,5	23,0
21	1 3/16-18UNEF	37,3	25,8	20,4	42,1	42,2	53,1	25,0
23	1 5/16-18UNEF	41,0	28,3	20,8	42,5	45,2	54,6	26,0
25	1 7/16-18UNEF	43,7	31,5	21,7	43,4	48,2	56,1	28,0

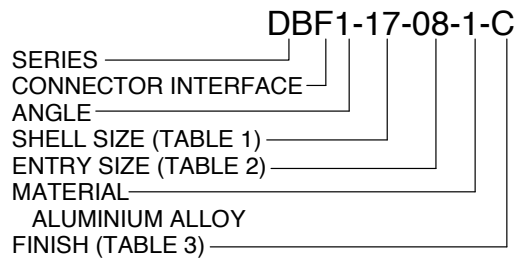
TABLE 2

ENTRY SIZE	ØG	ØH
	MIN	MAX
03	4,7	13,9
04	6,3	15,5
05	7,9	17,2
06	9,5	18,7
07	11,1	20,3
08	12,7	21,9
09	14,2	23,5
10	15,8	25,1
11	17,4	26,7
12	19,0	28,3
13	20,6	29,9
14	22,2	31,5
15	23,8	33,1
16	25,4	34,7
17	27,0	36,3
18	28,6	37,9
19	30,2	39,5
20	31,8	41,1
21	33,3	42,7
22	35,0	44,3
23	36,5	45,9
24	38,1	47,5

TABLE 3

CODE	FINISH
C	ELECTROLESS NICKEL
B	CADMIUM OLIVE DRAB OVER ELECTROLESS NICKEL
ZB	ZINC COBALT OLIVE DRAB OVER ELECTROLESS NICKEL
ZN	ZINC NICKEL BLACK PASSIVATE OVER ELECTROLESS NICKEL

LIST NOT EXHAUSTIVE, SEE PLATING TABLE FOR OTHER OPTIONS



For tooling and assembly instructions see www.polamco.com

- Backshell supplied without Band (see page 349)
- Sealing and strain relief achieved with Heat Shrink Boot (see page 354)
- Adhesive if required for assembly (see page 352)
- Screenbraid for EMC/RFI screening (see page 350)

DRAWING NOT TO SCALE, DIMENSIONS IN MM

SEE PAGES 18-26 FOR COMPLETE LIST OF AVAILABLE MATERIALS, FINISHES AND CONNECTOR INTERFACES (DIMENSIONS, FORM AND O RING SUBJECT TO CHANGE DEPENDING ON BACKSHELL MATERIAL AND CONNECTOR INTERFACE)

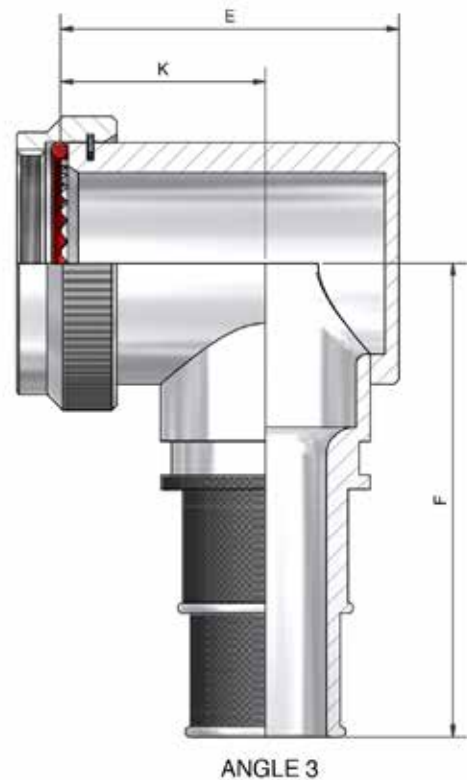
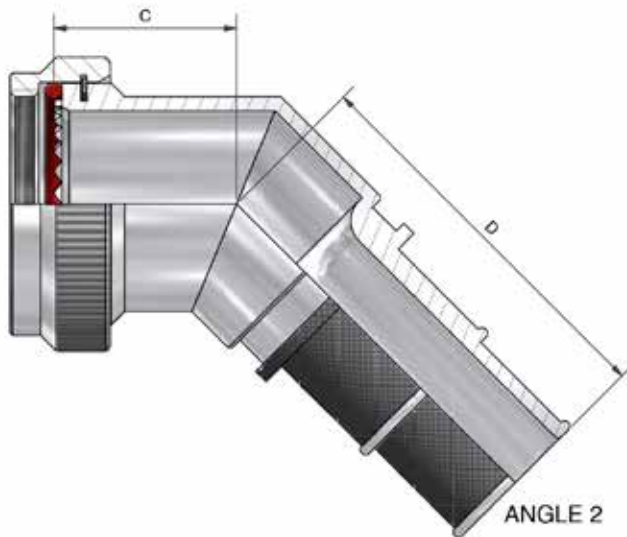
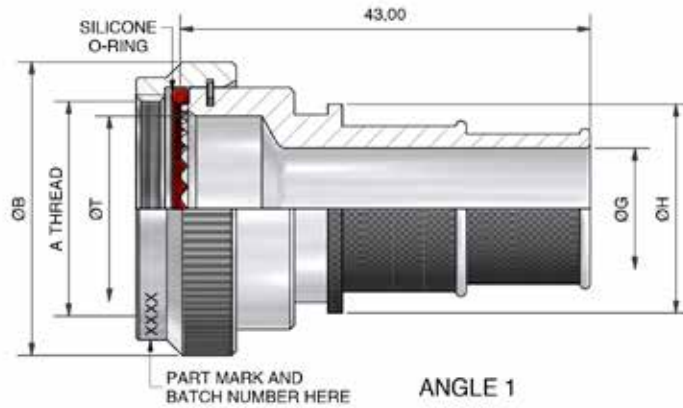
DBF - Double Band Termination

Interface F - MIL-DTL-38999 SERIES II



Interconnect Solutions Worldwide

BAND TERMINATION



DRAWING NOT TO SCALE, DIMENSIONS IN MM

SEE PAGES 18-26 FOR COMPLETE LIST OF AVAILABLE MATERIALS, FINISHES AND CONNECTOR INTERFACES
(DIMENSIONS, FORM AND O RING SUBJECT TO CHANGE DEPENDING ON BACKSHELL MATERIAL AND CONNECTOR INTERFACE)

DBF - Double Band Termination

Interface F - MIL-DTL-38999 SERIES II



Interconnect Solutions Worldwide

BAND TERMINATION

TABLE 1

SHELL SIZE	A THREAD	ØB MAX	ØT MIN	C ± 0,5	D MAX	E MAX	F MAX	K ±0,5
08	7/16-28UNEF	18,3	6,6	16,4	37,7	22,7	43,5	15,0
10	9/16-24UNEF	21,5	10,1	17,2	38,9	26,2	45,2	17,0
12	11/16-24UNEF	24,5	12,9	17,6	39,3	29,2	46,7	18,0
14	13/16-20UNEF	27,8	16,1	18,5	40,2	32,2	48,2	20,0
16	15/16-20UNEF	30,8	19,3	19,2	41,0	35,7	49,9	21,5
18	1 1/16-18UNEF	34,1	21,7	19,6	41,0	39,7	51,5	23,0
20	1 3/16-18UNEF	37,3	34,9	20,4	42,1	42,2	53,1	225,0
22	1 5/16-18UNEF	40,5	28,1	20,8	42,5	45,2	54,6	26,0
24	1 7/16-18UNEF	43,7	31,3	21,7	43,4	48,2	56,1	28,0

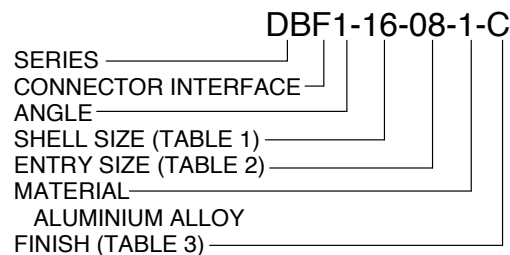
TABLE 2

ENTRY SIZE	ØG MIN	ØH MAX
03	4,7	13,9
04	6,3	15,5
05	7,9	17,2
06	9,5	18,7
07	11,1	20,3
08	12,7	21,9
09	14,2	23,5
10	15,8	25,1
11	17,4	26,7
12	19,0	28,3
13	20,6	29,9
14	22,2	31,5
15	23,8	33,1
16	25,4	34,7
17	27,0	36,3
18	28,6	37,9
19	30,2	39,5
20	31,8	41,1
21	33,3	42,7
22	35,0	44,3
23	36,5	45,9
24	38,1	47,5

TABLE 3

CODE	FINISH
C	ELECTROLESS NICKEL
B	CADMIUM OLIVE DRAB OVER ELECTROLESS NICKEL
ZB	ZINC COBALT OLIVE DRAB OVER ELECTROLESS NICKEL
ZN	ZINC NICKEL BLACK PASSIVATE OVER ELECTROLESS NICKEL

LIST NOT EXHAUSTIVE, SEE PLATING TABLE FOR OTHER OPTIONS



For tooling and assembly instructions see www.polamco.com

- Backshell supplied without Band (see page 349)
- Sealing and strain relief achieved with Heat Shrink Boot (see page 354)
- Adhesive if required for assembly (see page 352)
- Screenbraid for EMC/RFI screening (see page 350)

DRAWING NOT TO SCALE, DIMENSIONS IN MM

SEE PAGES 18-26 FOR COMPLETE LIST OF AVAILABLE MATERIALS, FINISHES AND CONNECTOR INTERFACES (DIMENSIONS, FORM AND O RING SUBJECT TO CHANGE DEPENDING ON BACKSHELL MATERIAL AND CONNECTOR INTERFACE)

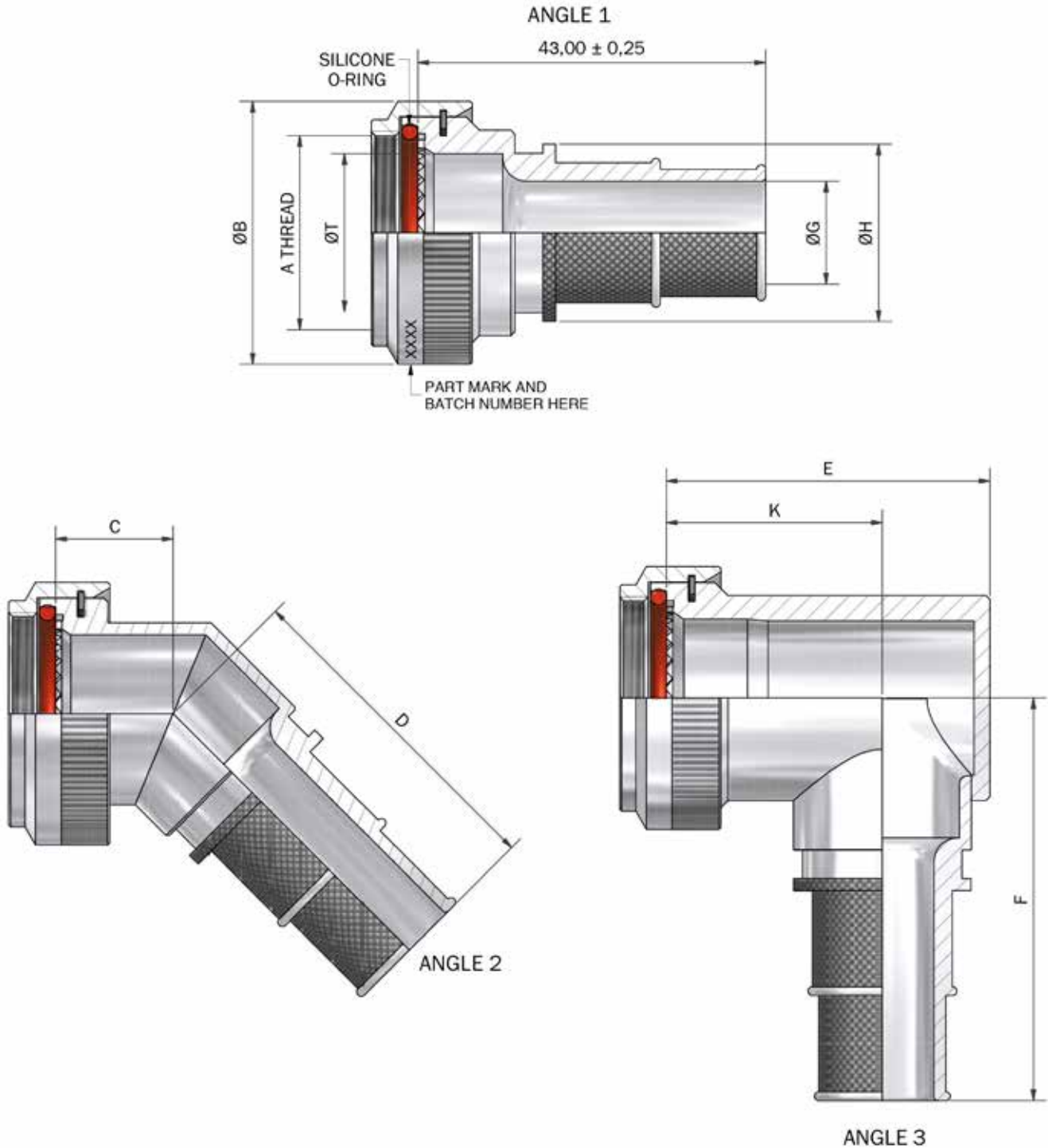
DBH - Double Band Termination

Interface H - MIL-DTL-38999 SERIES III & IV



Interconnect Solutions Worldwide

BAND TERMINATION



DRAWING NOT TO SCALE, DIMENSIONS IN MM

SEE PAGES 18-26 FOR COMPLETE LIST OF AVAILABLE MATERIALS, FINISHES AND CONNECTOR INTERFACES (DIMENSIONS, FORM AND O RING SUBJECT TO CHANGE DEPENDING ON BACKSHELL MATERIAL AND CONNECTOR INTERFACE)

DBH - Double Band Termination

Interface H - MIL-DTL-38999 SERIES III & IV



Interconnect Solutions Worldwide

BAND TERMINATION

TABLE 1

SHELL SIZE	A THREAD	ØB MAX	ØT MIN	C MAX	D MAX	E MAX	F MAX	K ±0,5
09	M12 x 1.0	18,0	6,7	13,1	37,7	25,5	43,5	17,5
11	M15 x 1.0	21,0	10,2	13,9	38,9	26,5	45,2	17,5
13	M18 x 1.0	24,5	13,5	14,5	39,3	31,0	46,7	20,0
15	M22 x 1.0	29,0	16,2	15,5	40,2	37,0	48,2	24,5
17	M25 x 1.0	32,5	19,4	16,1	41,0	40,0	49,9	26,7
19	M28 x 1.0	35,5	21,8	16,8	41,0	44,5	51,5	27,0
21	M31 x 1.0	37,0	25,1	17,1	42,1	49,0	53,1	30,5
23	M34 x 1.0	40,0	28,2	17,7	42,5	51,5	54,6	31,5
25	M37 x 1.0	43,5	31,4	18,4	43,4	53,0	56,1	28,5

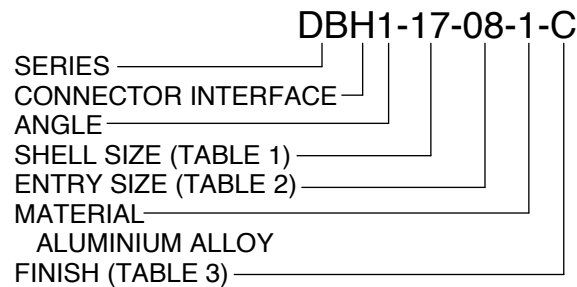
TABLE 2

ENTRY SIZE	ØG MIN	ØH MAX
03	4,7	13,9
04	6,3	15,5
05	7,9	17,2
06	9,5	18,7
07	11,1	20,3
08	12,7	21,9
09	14,2	23,5
10	15,8	25,1
11	17,4	26,7
12	19,0	28,3
13	20,6	29,9
14	22,2	31,5
15	23,8	33,1
16	25,4	34,7
17	27,0	36,3
18	28,6	37,9
19	30,2	39,5
20	31,8	41,1
21	33,3	42,7
22	35,0	44,3
23	36,5	45,9
24	38,1	47,5

TABLE 3

CODE	FINISH
C	ELECTROLESS NICKEL
B	CADMIUM OLIVE DRAB OVER ELECTROLESS NICKEL
ZB	ZINC COBALT OLIVE DRAB OVER ELECTROLESS NICKEL
ZN	ZINC NICKEL BLACK PASSIVATE OVER ELECTROLESS NICKEL

LIST NOT EXHAUSTIVE, SEE PLATING TABLE FOR OTHER OPTIONS



For tooling and assembly instructions see www.polamco.com

- Backshell supplied without Band (see page 349)
- Sealing and strain relief achieved with Heat Shrink Boot (see page 354)
- Adhesive if required for assembly (see page 352)
- Screenbraid for EMC/RFI screening (see page 350)

DRAWING NOT TO SCALE, DIMENSIONS IN MM

SEE PAGES 18-26 FOR COMPLETE LIST OF AVAILABLE MATERIALS, FINISHES AND CONNECTOR INTERFACES (DIMENSIONS, FORM AND O RING SUBJECT TO CHANGE DEPENDING ON BACKSHELL MATERIAL AND CONNECTOR INTERFACE)

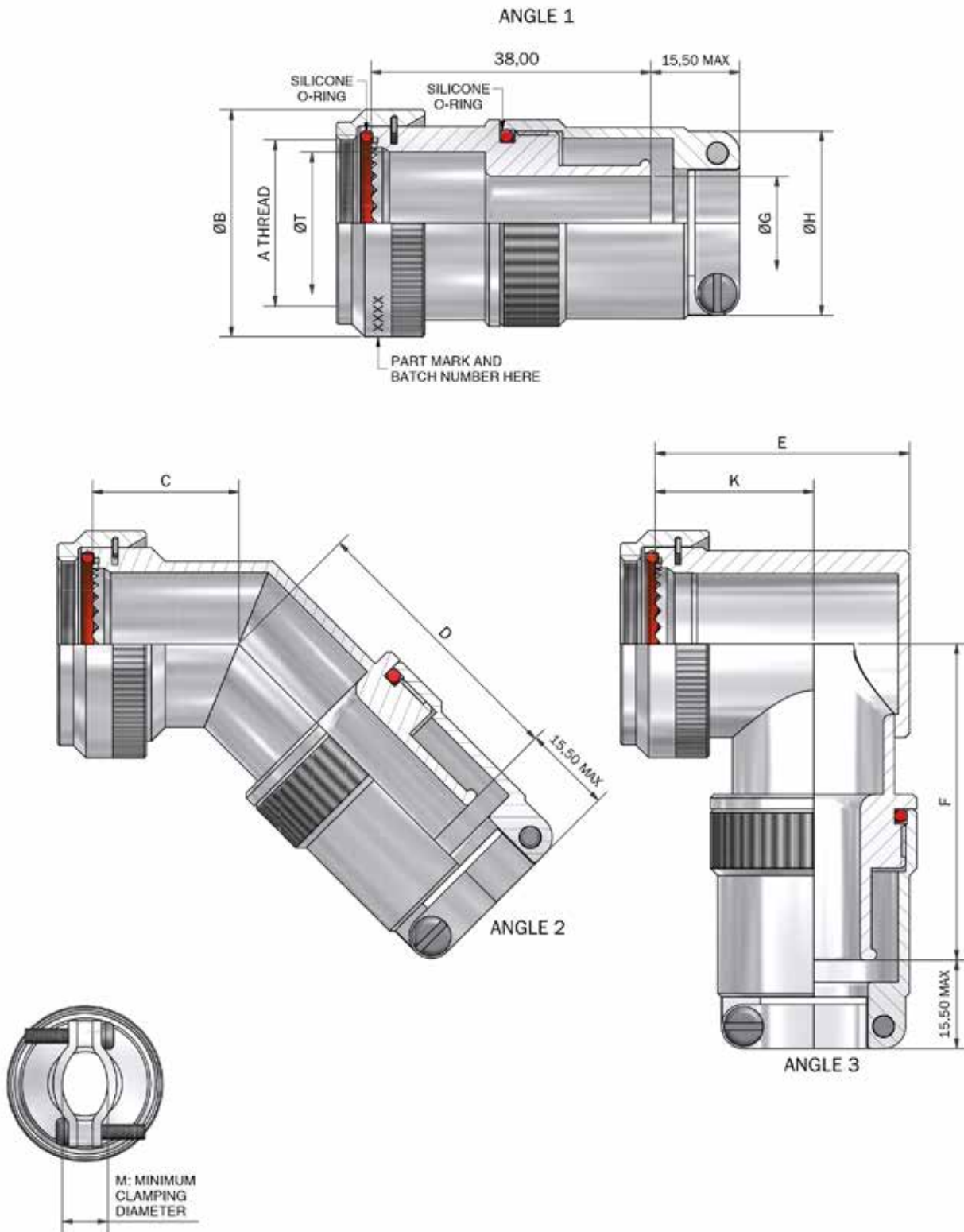
88F - Band-In-A-Can

Interface F - MIL-DTL-38999 SERIES I



Interconnect Solutions Worldwide

BAND TERMINATION



DRAWING NOT TO SCALE, DIMENSIONS IN MM

SEE PAGES 18-26 FOR COMPLETE LIST OF AVAILABLE MATERIALS, FINISHES AND CONNECTOR INTERFACES (DIMENSIONS, FORM AND O RING SUBJECT TO CHANGE DEPENDING ON BACKSHELL MATERIAL AND CONNECTOR INTERFACE)

88F - Band-In-A-Can

Interface F - MIL-DTL-38999 SERIES I



Interconnect Solutions Worldwide

BAND TERMINATION

TABLE 1

SHELL SIZE	A THREAD	ØB MAX	ØT MIN	C ±0,5	D MAX	E MAX	F MAX	K ±0,5
09	7/16-28 UNEF	18,0	6,8	16,4	40,5	22,7	41,3	15,0
11	9/16-24 UNEF	21,0	10,2	17,2	41,9	26,2	43,0	17,0
13	11/16-24 UNEF	24,5	13,1	17,6	42,3	29,2	44,5	18,0
15	13/16-20 UNEF	27,8	16,2	18,5	43,2	32,2	46,1	20,0
17	15/16-20 UNEF	30,8	19,3	19,2	44,0	35,7	47,7	21,5
19	1 1/16-18 UNEF	34,1	22,3	19,6	44,1	39,7	48,4	23,0
21	1 3/16-18 UNEF	37,3	25,8	20,4	45,0	42,2	50,0	25,0
23	1 5/16-18 UNEF	41,0	28,3	20,8	45,5	45,2	51,6	26,0
25	1 7/16-18 UNEF	43,7	31,5	21,7	46,2	48,2	53,1	28,0

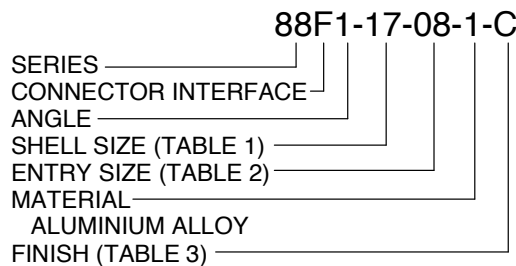
TABLE 2

ENTRY SIZE	ØG MIN	ØH MAX	M ±0,5
03	4,7	17,2	6,8
04	6,3	18,8	6,7
05	7,9	20,4	7,8
06	9,5	22,0	7,9
07	11,1	23,5	8,6
08	12,7	25,0	9,0
09	14,2	26,7	10,2
10	15,8	28,3	10,4
11	17,4	30,0	12,5
12	19,0	31,5	12,4
13	20,6	33,0	15,0
14	22,2	34,7	15,4
15	23,8	36,4	16,8
16	25,4	37,8	17,3
17	27,0	39,4	18,8
18	28,6	41,0	19,5
19	30,2	42,6	23,9
20	31,8	44,2	22,4
21	33,3	45,8	23,8
22	35,0	47,3	24,4
23	36,5	50,9	26,4
24	38,1	50,9	26,4

TABLE 3

CODE	FINISH
C	ELECTROLESS NICKEL
B	CADMIUM OLIVE DRAB OVER ELECTROLESS NICKEL
ZB	ZINC COBALT OLIVE DRAB OVER ELECTROLESS NICKEL
ZN	ZINC NICKEL BLACK PASSIVATE OVER ELECTROLESS NICKEL

LIST NOT EXHAUSTIVE, SEE PLATING TABLE FOR OTHER OPTIONS



For tooling and assembly instructions see www.polamco.com

- Backshell supplied without Band (see page 349)
- Sealing and strain relief achieved with Heat Shrink Boot (see page 354)
- Adhesive if required for assembly (see page 352)
- Screenbraid for EMC/RFI screening (see page 350)

DRAWING NOT TO SCALE, DIMENSIONS IN MM

SEE PAGES 18-26 FOR COMPLETE LIST OF AVAILABLE MATERIALS, FINISHES AND CONNECTOR INTERFACES (DIMENSIONS, FORM AND O RING SUBJECT TO CHANGE DEPENDING ON BACKSHELL MATERIAL AND CONNECTOR INTERFACE)

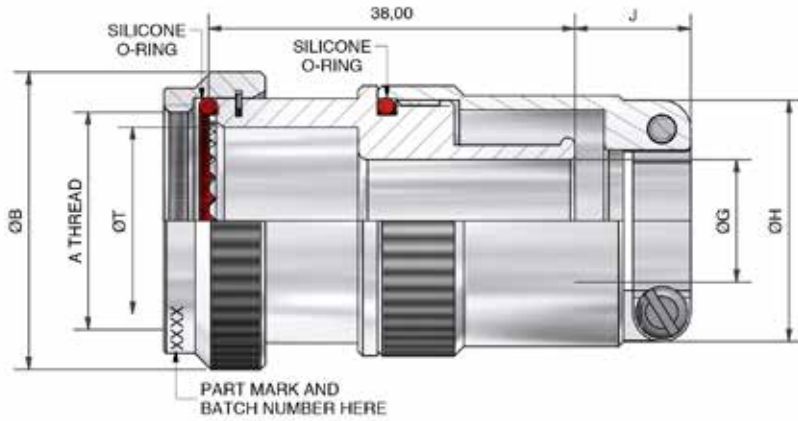
88F - Band-In-A-Can

Interface F - MIL-DTL-38999 SERIES II

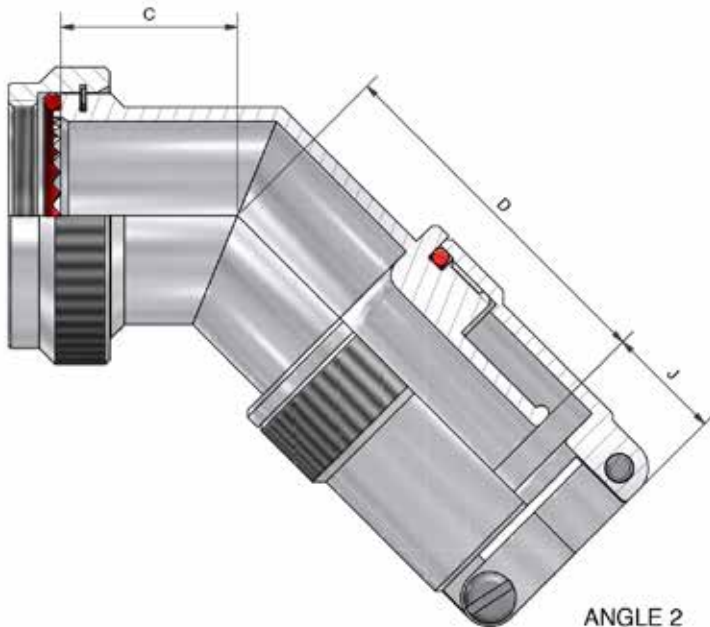
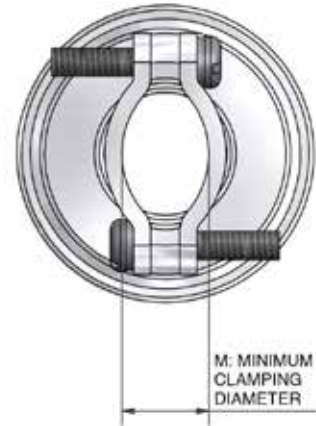


Interconnect Solutions Worldwide

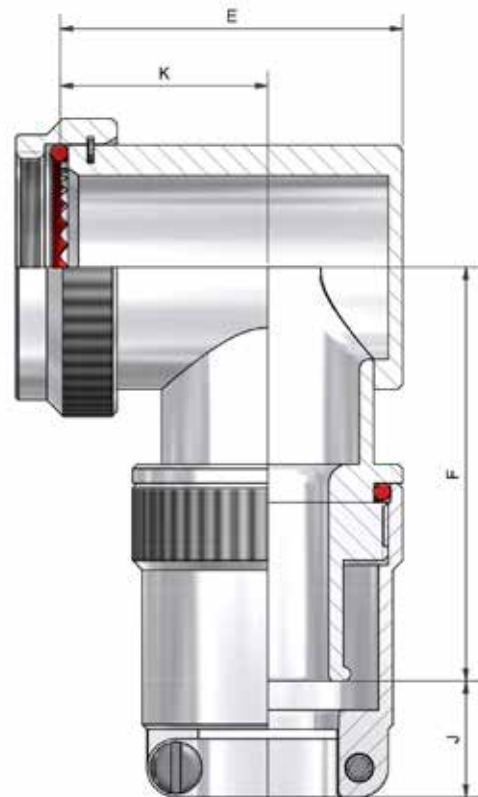
BAND TERMINATION



ANGLE 1



ANGLE 2



ANGLE 3

DRAWING NOT TO SCALE, DIMENSIONS IN MM

SEE PAGES 18-26 FOR COMPLETE LIST OF AVAILABLE MATERIALS, FINISHES AND CONNECTOR INTERFACES (DIMENSIONS, FORM AND O RING SUBJECT TO CHANGE DEPENDING ON BACKSHELL MATERIAL AND CONNECTOR INTERFACE)

88F - Band-In-A-Can

Interface F - MIL-DTL-38999 SERIES II



Interconnect Solutions Worldwide

BAND TERMINATION

TABLE 1

SHELL SIZE	A THREAD	ØB MAX	C ±0,5	D MAX	E MAX	F MAX	K ±0,5	ØT MIN
08	7/16 -28UNEF	18,3	16,4	40,5	22,7	41,3	15,0	6,6
10	9/16 -24UNEF	21,5	17,2	41,9	26,2	43,0	17,0	10,1
12	11/16 -24UNEF	24,5	17,6	42,3	29,2	44,5	18,0	12,9
14	13/16 -20UNEF	27,8	18,5	43,2	32,2	46,1	20,0	16,1
16	15/16 -20UNEF	30,8	19,2	44,0	35,7	47,7	21,5	19,3
18	1 1/16 -18UNEF	34,1	19,6	44,1	39,7	48,4	23,0	21,7
20	1 3/16 -18UNEF	37,3	20,4	45,0	42,2	50,0	25,0	24,9
22	1 5/16 -18UNEF	40,5	20,8	45,5	45,2	51,6	26,0	28,1
24	1 7/16 -18UNEF	43,7	21,7	46,2	48,2	53,1	28,0	31,3

TABLE 2

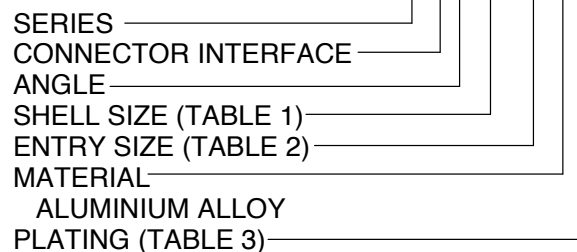
ENTRY SIZE	ØG	ØH MAX	J ±0,5	M ±0,5
03	4,8	17,2	12	6,8
04	6,4	18,8	12	6,7
05	7,9	20,4	12	7,8
06	9,5	22,0	12	7,9
07	11,1	23,5	12	8,6
08	12,7	25,0	12	9,0
09	14,3	26,7	12	10,2
10	15,9	28,3	12	10,4
11	17,5	30,0	12	12,5
12	19,1	31,5	12	12,4
13	20,6	33,0	12	15,0
14	22,2	34,7	15	15,4
15	23,8	36,4	15	16,8
16	25,4	37,8	15	17,3
17	27,0	39,4	15	18,8
18	28,6	41,0	15	19,5
19	30,2	42,6	15	23,9
20	31,8	44,2	15	22,4
21	33,4	45,8	15	23,8
22	35,0	47,3	15	24,4
23	36,6	50,9	15	26,4
24	38,1	50,9	15	26,4

TABLE 3

CODE	FINISH
C	ELECTROLESS NICKEL
B	CADMIUM OLIVE DRAB OVER ELECTROLESS NICKEL
ZB	ZINC COBALT OLIVE DRAB OVER ELECTROLESS NICKEL
ZN	ZINC NICKEL BLACK PASSIVATE OVER ELECTROLESS NICKEL

LIST NOT EXHAUSTIVE, SEE PLATING TABLE FOR OTHER OPTIONS

88F1-16-08-1-C



For tooling and assembly instructions see www.polamco.com

- Backshell supplied without Band (see page 349)
- Sealing and strain relief achieved with Heat Shrink Boot (see page 354)
- Adhesive if required for assembly (see page 352)
- Screenbraid for EMC/RFI screening (see page 350)

DRAWING NOT TO SCALE, DIMENSIONS IN MM

SEE PAGES 18-26 FOR COMPLETE LIST OF AVAILABLE MATERIALS, FINISHES AND CONNECTOR INTERFACES (DIMENSIONS, FORM AND O RING SUBJECT TO CHANGE DEPENDING ON BACKSHELL MATERIAL AND CONNECTOR INTERFACE)

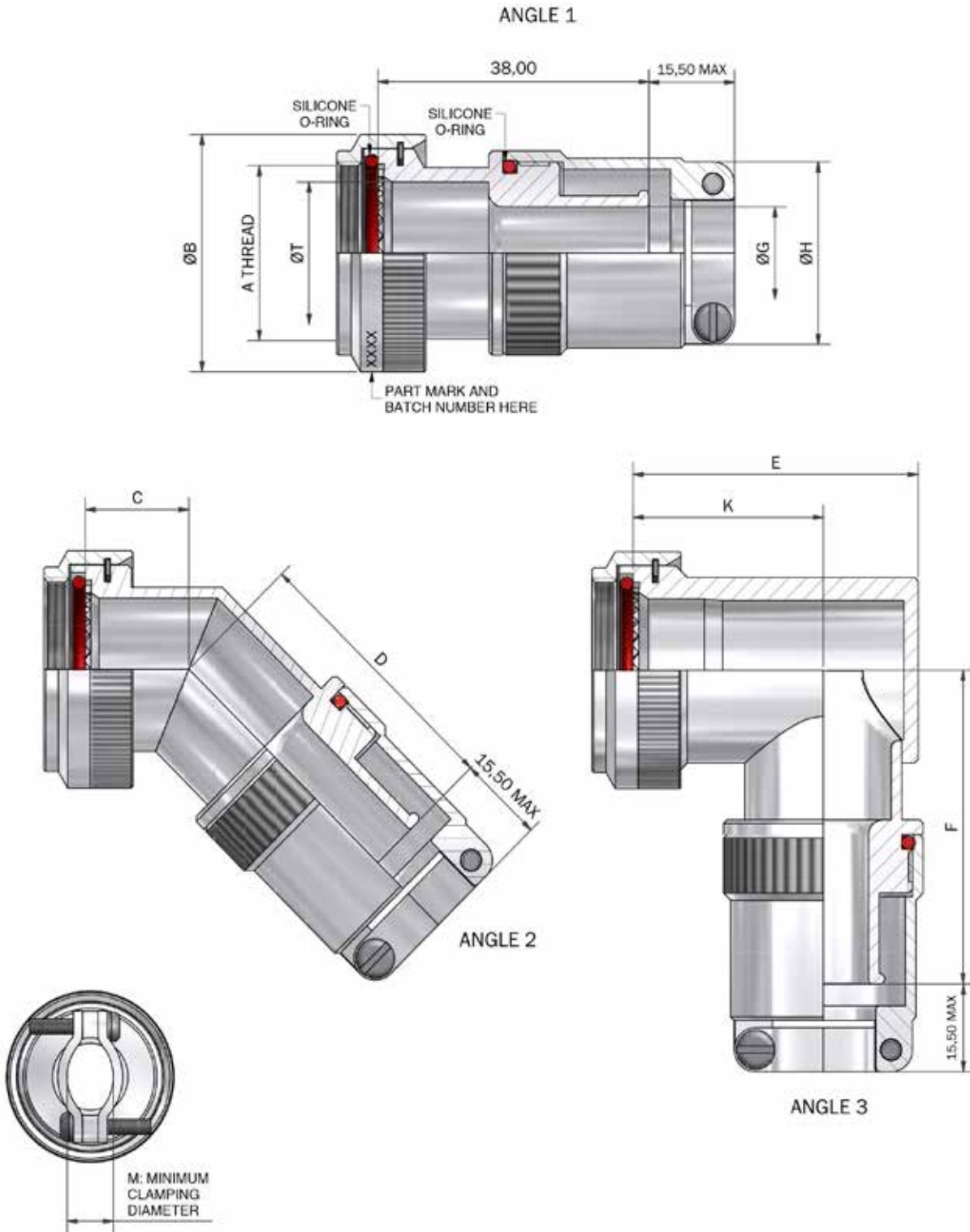
88H - Band-In-A-Can

Interface H - MIL-DTL-38999 SERIES III & IV



Interconnect Solutions Worldwide

BAND TERMINATION



DRAWING NOT TO SCALE, DIMENSIONS IN MM

SEE PAGES 18-26 FOR COMPLETE LIST OF AVAILABLE MATERIALS, FINISHES AND CONNECTOR INTERFACES (DIMENSIONS, FORM AND O RING SUBJECT TO CHANGE DEPENDING ON BACKSHELL MATERIAL AND CONNECTOR INTERFACE)

88H - Band-In-A-Can

Interface H - MIL-DTL-38999 SERIES III & IV



Interconnect Solutions Worldwide

BAND TERMINATION

TABLE 1

SHELL SIZE	A THREAD	ØB MAX	ØT MIN	C MAX	D MAX	E MAX	F MAX	K ±0,5
09	M12 x 1.0	18,0	6,7	13,1	40,5	25,7	41,3	17,5
11	M15 x 1.0	21,0	10,2	13,9	41,9	26,7	43,0	17,5
13	M18 x 1.0	24,5	13,5	14,5	42,3	31,2	44,5	20,0
15	M22 x 1.0	29,0	16,2	15,5	43,2	37,2	46,1	24,5
17	M25 x 1.0	32,5	19,4	16,1	44,0	40,2	47,7	26,7
19	M28 x 1.0	35,5	21,8	16,8	44,1	44,7	48,4	27,0
21	M31 x 1.0	37,0	25,1	17,1	45,0	49,2	50,0	30,5
23	M34 x 1.0	40,0	28,2	17,7	45,5	51,7	51,6	31,5
25	M37 x 1.0	43,5	31,4	18,4	46,2	53,2	53,1	28,5

TABLE 2

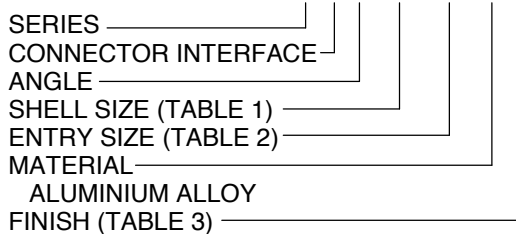
ENTRY SIZE	ØG MIN	ØH MAX	M ±0,5
03	4,7	17,2	6,8
04	6,3	18,8	6,7
05	7,9	20,4	7,8
06	9,5	22,0	7,9
07	11,1	23,5	8,6
08	12,7	25,0	9,0
09	14,2	26,7	10,2
10	15,8	28,3	10,4
11	17,4	30,0	12,5
12	19,0	31,5	12,4
13	20,6	33,0	15,0
14	22,2	34,7	15,4
15	23,8	36,4	16,8
16	25,4	37,8	17,3
17	27,0	39,4	18,8
18	28,6	41,0	19,5
19	30,2	42,6	23,9
20	31,8	44,2	22,4
21	33,3	45,8	23,8
22	35,0	47,3	24,4
23	36,5	50,9	26,4
24	38,1	50,9	26,4

TABLE 3

CODE	FINISH
C	ELECTROLESS NICKEL
B	CADMIUM OLIVE DRAB OVER ELECTROLESS NICKEL
ZB	ZINC COBALT OLIVE DRAB OVER ELECTROLESS NICKEL
ZN	ZINC NICKEL BLACK PASSIVATE OVER ELECTROLESS NICKEL

LIST NOT EXHAUSTIVE, SEE PLATING TABLE FOR OTHER OPTIONS

88H1-17-08-1-C



For tooling and assembly instructions see www.polamco.com

- Backshell supplied without Band (see page 349)
- Sealing and strain relief achieved with Heat Shrink Boot (see page 354)
- Adhesive if required for assembly (see page 352)
- Screenbraid for EMC/RFI screening (see page 350)

DRAWING NOT TO SCALE, DIMENSIONS IN MM

SEE PAGES 18-26 FOR COMPLETE LIST OF AVAILABLE MATERIALS, FINISHES AND CONNECTOR INTERFACES (DIMENSIONS, FORM AND O RING SUBJECT TO CHANGE DEPENDING ON BACKSHELL MATERIAL AND CONNECTOR INTERFACE)

88F1 (L25) - Micro Band-In-A-Can

Interface F - MIL-DTL-38999 SERIES I



Interconnect Solutions Worldwide

BAND TERMINATION

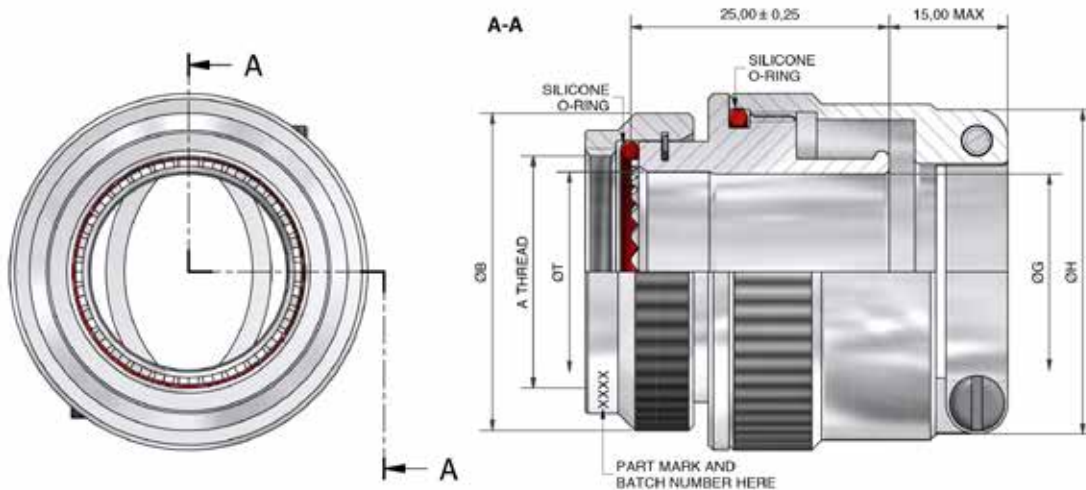


TABLE 1

SHELL SIZE	A THREAD	ØB MAX	ØT MIN
08	7/16 - 28UNEF	18,3	6,6
10	9/16 - 24UNEF	21,5	10,1
12	11/16 - 24UNEF	24,5	12,9
14	13/16 - 20UNEF	27,8	16,1
16	15/16 - 20UNEF	30,8	19,3
18	1 1/16 - 18UNEF	34,1	21,7
20	1 3/16 - 18UNEF	37,3	24,9
22	1 5/16 - 18UNEF	40,5	28,1
24	1 7/16 - 18UNEF	43,7	31,3

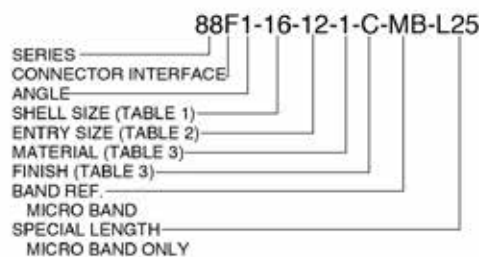
TABLE 2

ENTRY SIZE	ØG	ØH MAX
03	4,8	17,2
04	6,4	18,8
05	7,9	20,4
06	9,5	22,0
07	11,1	23,5
08	12,7	25,0
09	14,3	26,7
10	15,9	28,3
11	17,5	30,0
12	19,1	31,5
13	20,6	33,0
14	22,2	34,7
15	23,8	36,4
16	25,4	37,8
17	27,0	39,4
18	28,6	41,0
19	30,2	42,6
20	31,8	44,2
21	33,4	45,8
22	35,0	47,3
23	36,6	50,9
24	38,1	50,9

TABLE 3

CODE	MATERIAL / PLATING
1-C	ALUMINIUM / ELECTROLESS NICKEL
1-B	ALUMINIUM / CADMIUM OLIVE DRAB OVER ELECTROLESS NICKEL
1-ZB	ALUMINIUM / ZINC COBALT OLIVE DRAB OVER ELECTROLESS NICKEL
1-ZN	ALUMINIUM / ZINC NICKEL BLACK PASSIVATE OVER ELECTROLESS NICKEL
4-J	STAINLESS STEEL / PASSIVATE
2-Z	NICKEL ALUMINIUM BRONZE / SHOT BLAST

LIST NOT EXHAUSTIVE, SEE PLATING TABLE FOR OTHER OPTIONS



For tooling and assembly instructions see www.polamco.com

- Backshell supplied without Band (see page 349)
- Sealing and strain relief achieved with Heat Shrink Boot (see page 354)
- Adhesive if required for assembly (see page 352)
- Screenbraid for EMC/RFI screening (see page 350)

DRAWING NOT TO SCALE, DIMENSIONS IN MM

SEE PAGES 18-26 FOR COMPLETE LIST OF AVAILABLE MATERIALS, FINISHES AND CONNECTOR INTERFACES (DIMENSIONS, FORM AND O RING SUBJECT TO CHANGE DEPENDING ON BACKSHELL MATERIAL AND CONNECTOR INTERFACE)

88F1 (L25) - Micro Band-In-A-Can

Interface F - MIL-DTL-38999 SERIES II



Interconnect Solutions Worldwide

BAND TERMINATION

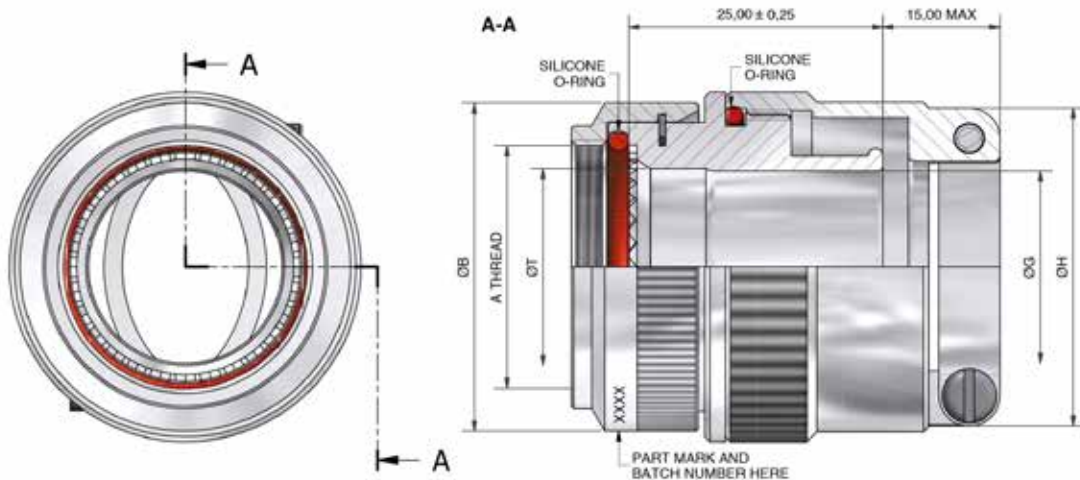


TABLE 1

SHELL SIZE	A THREAD	ØB MAX	ØT MIN
09	7/16-28UNEF	18.0	6.8
11	9/16-24UNEF	21.0	10.2
13	11/16-24UNEF	24.5	13.1
15	13/16-20UNEF	27.8	16.2
17	15/16-20UNEF	30.8	19.3
19	1 1/16-18UNEF	34.1	22.3
21	1 3/16-18UNEF	37.3	25.6
23	1 5/16-18UNEF	41.0	28.3
25	1 7/16-18UNEF	43.7	31.5

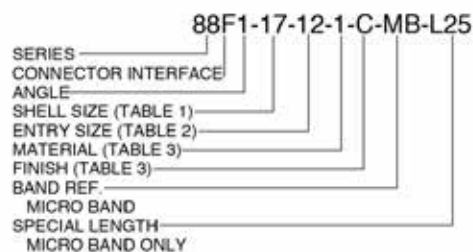
TABLE 2

ENTRY SIZE	ØG	ØH MAX
03	4.8	17.2
04	6.4	18.8
05	7.9	20.4
06	9.5	22.0
07	11.1	23.5
08	12.7	25.0
09	14.3	26.7
10	15.9	28.3
11	17.5	30.0
12	19.1	31.5
13	20.6	33.0
14	22.2	34.7
15	23.8	36.4
16	25.4	37.8
17	27.0	39.4
18	28.6	41.0
19	30.2	42.6
20	31.8	44.2
21	33.4	45.8
22	35.0	47.3
23	36.6	50.9
24	38.1	50.9

TABLE 3

CODE	MATERIAL / PLATING
1-C	ALUMINIUM / ELECTROLESS NICKEL
1-B	ALUMINIUM / CADMIUM OLIVE DRAB OVER ELECTROLESS NICKEL
1-ZB	ALUMINIUM / ZINC COBALT OLIVE DRAB OVER ELECTROLESS NICKEL
1-ZN	ALUMINIUM / ZINC NICKEL BLACK PASSIVATE OVER ELECTROLESS NICKEL
4-J	STAINLESS STEEL / PASSIVATE
2-Z	NICKEL ALUMINIUM BRONZE / SHOT BLAST

LIST NOT EXHAUSTIVE, SEE PLATING TABLE FOR OTHER OPTIONS



For tooling and assembly instructions see www.polamco.com

- Backshell supplied without Band (see page 349)
- Sealing and strain relief achieved with Heat Shrink Boot (see page 354)
- Adhesive if required for assembly (see page 352)
- Screenbraid for EMC/RFI screening (see page 350)

DRAWING NOT TO SCALE, DIMENSIONS IN MM

SEE PAGES 18-26 FOR COMPLETE LIST OF AVAILABLE MATERIALS, FINISHES AND CONNECTOR INTERFACES (DIMENSIONS, FORM AND O RING SUBJECT TO CHANGE DEPENDING ON BACKSHELL MATERIAL AND CONNECTOR INTERFACE)

88H1 (L25) - Micro Band-In-A-Can

Interface H - MIL-DTL-38999 SERIES III & IV



Interconnect Solutions Worldwide

BAND TERMINATION

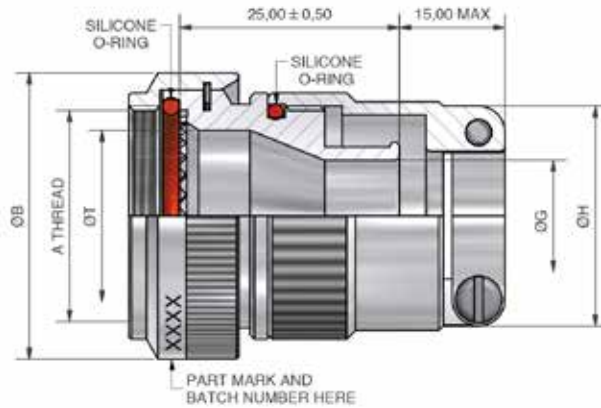


TABLE 1

SHELL SIZE	A THREAD	ØB MAX	ØT
09	M12 x 1.0	18.0	6.8
11	M15 x 1.0	21.0	10.3
13	M18 x 1.0	24.5	13.6
15	M22 x 1.0	29.0	16.3
17	M25 x 1.0	32.5	19.5
19	M28 x 1.0	35.5	21.9
21	M31 x 1.0	37.0	25.2
23	M34 x 1.0	40.0	28.3
25	M37 x 1.0	43.5	31.5

NOTES
 1. BAND REF.
 MB - MICRO BAND (207mm)
 LM - LONG MICROBAND (362mm)
 OMIT REF. FOR NO BAND

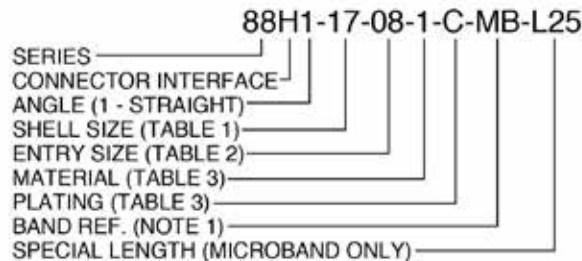
TABLE 3

CODE	MATERIAL / PLATING
1-C	ALUMINIUM / ELECTROLESS NICKEL
1-B	ALUMINIUM / CADMIUM OLIVE DRAB OVER ELECTROLESS NICKEL
1-ZB	ALUMINIUM / ZINC COBALT OLIVE DRAB OVER ELECTROLESS NICKEL
1-ZN	ALUMINIUM / ZINC NICKEL BLACK PASSIVATE OVER ELECTROLESS NICKEL
4-J	STAINLESS STEEL / PASSIVATE
2-Z	NICKEL ALUMINIUM BRONZE / SHOT BLAST

LIST NOT EXHAUSTIVE, SEE PLATING TABLE FOR OTHER OPTIONS

TABLE 2

ENTRY SIZE	ØG	ØH MAX
03	4.77	17.2
04	6.35	18.8
05	7.92	20.4
06	9.52	22.0
07	11.13	23.5
08	12.70	25.0
09	14.27	26.7
10	15.88	28.3
11	17.47	30.0
12	19.05	31.5
13	20.62	33.0
14	22.23	34.7
15	23.82	36.4
16	25.40	37.8
17	27.00	39.4
18	28.60	41.0
19	30.20	42.6
20	31.80	44.2
21	33.38	45.8
22	35.00	47.3
23	36.58	50.9
24	38.10	50.9



For tooling and assembly instructions see www.polamco.com

- Backshell supplied without Band (see page 349)
- Sealing and strain relief achieved with Heat Shrink Boot (see page 354)
- Adhesive if required for assembly (see page 352)
- Screenbraid for EMC/RFI screening (see page 350)

DRAWING NOT TO SCALE, DIMENSIONS IN MM

SEE PAGES 18-26 FOR COMPLETE LIST OF AVAILABLE MATERIALS, FINISHES AND CONNECTOR INTERFACES (DIMENSIONS, FORM AND O RING SUBJECT TO CHANGE DEPENDING ON BACKSHELL MATERIAL AND CONNECTOR INTERFACE)

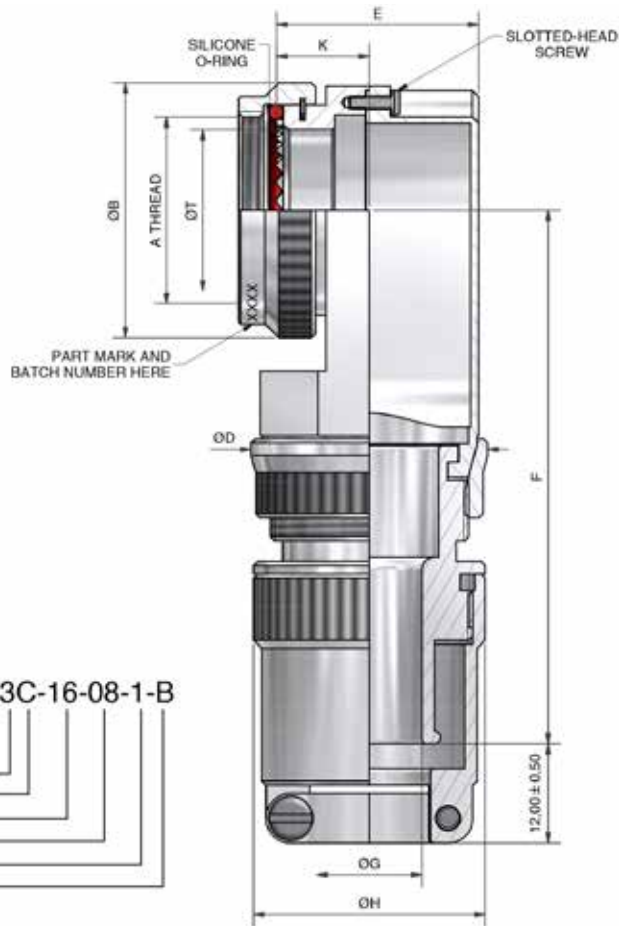
88F3C - Band-In-A-Can Cobra Head

Interface F - MIL-DTL-38999 SERIES I & II



Interconnect Solutions Worldwide

BAND TERMINATION



88F3C-16-08-1-B

SERIES
CONNECTOR INTERFACE
ANGLE (3 - 90°)
COBRA HEAD STYLE
DASH NO. (TABLE 1)
ENTRY SIZE (TABLE 2)
MATERIAL (TABLE 3)
FINISH (TABLE 3)

TABLE 1

DASH NO.	SHELL SIZE SERIES I	SHELL SIZE SERIES II	A THREAD	OB MAX	ØT MIN	ØD MAX	E MAX	F MAX	K +/-0.5	MAX ENTRY
08	09	08	7/16-28 UNEF	18.3	6.6	18.7	17.7	54.6	8.7	04
10	11	10	9/16-24 UNEF	21.5	10.1	21.7	19.0	58.7	8.7	06
12	13	12	11/16-24 UNEF	24.5	12.9	24.7	22.1	58.7	8.7	08
14	15	14	13/16-20 UNEF	27.8	16.1	24.7	22.1	62.5	10.2	08
16	17	16	15/16-20 UNEF	30.8	19.3	28.7	25.1	64.8	11.2	10
18	19	18	1 1/16-18 UNEF	34.1	21.7	28.7	25.1	67.5	11.2	10
20	21	20	1 3/16-18 UNEF	37.3	24.9	28.7	25.1	68.5	11.2	10
22	23	22	1 5/16-18 UNEF	40.5	28.1	31.7	28.1	71.0	12.7	12
24	25	24	1 7/16-18 UNEF	43.7	31.3	31.7	28.1	72.5	12.7	12

TABLE 2

ENTRY SIZE	OG MIN	OH MAX
03	4.77	20.2
04	6.35	21.8
05	7.92	23.4
06	9.52	25.0
07	11.10	26.5
08	12.70	28.0
09	14.27	29.7
10	15.88	31.3
11	17.47	33.0
12	19.05	34.6

TABLE 3

CODE	MATERIAL / PLATING
1-C	ALUMINIUM / ELECTROLESS NICKEL
1-B	ALUMINIUM / CADMIUM OLIVE DRAB OVER ELECTROLESS NICKEL
1-ZB	ALUMINIUM / ZINC COBALT OLIVE DRAB OVER ELECTROLESS NICKEL
1-ZN	ALUMINIUM / ZINC NICKEL BLACK PASSIVATE OVER ELECTROLESS NICKEL
4-J	STAINLESS STEEL / PASSIVATE
2-Z	NICKEL ALUMINIUM BRONZE / SHOT BLAST NON REFLECTIVE

LIST NOT EXHAUSTIVE, SEE PLATING TABLE FOR OTHER OPTIONS

For tooling and assembly instructions see www.polamco.com

- Backshell supplied without Band (see page 349)
- Sealing and strain relief achieved with Heat Shrink Boot (see page 354)
- Adhesive if required for assembly (see page 352)
- Screenbraid for EMC/RFI screening (see page 350)

DRAWING NOT TO SCALE, DIMENSIONS IN MM

SEE PAGES 18-26 FOR COMPLETE LIST OF AVAILABLE MATERIALS, FINISHES AND CONNECTOR INTERFACES (DIMENSIONS, FORM AND O RING SUBJECT TO CHANGE DEPENDING ON BACKSHELL MATERIAL AND CONNECTOR INTERFACE)

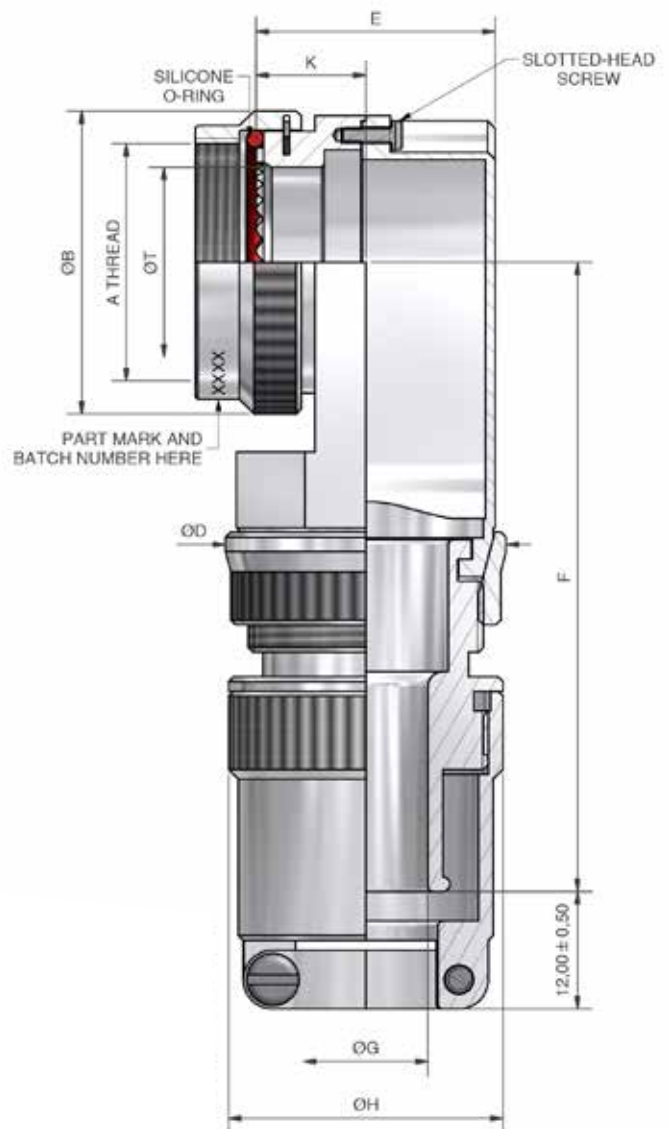
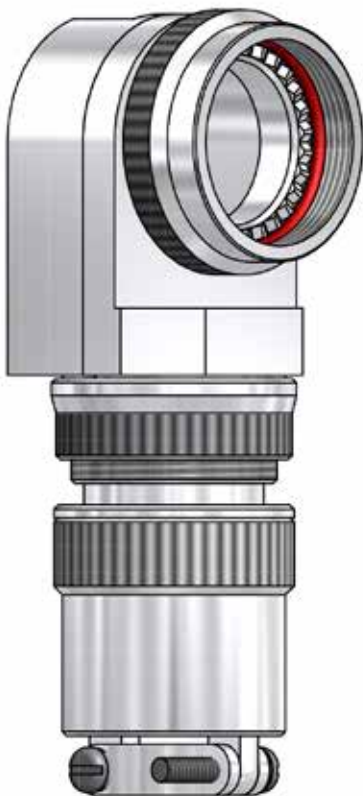
88H3C - Band-In-A-Can Cobra Head

Interface H - MIL-DTL-38999 SERIES III & IV



Interconnect Solutions Worldwide

BAND TERMINATION



DRAWING NOT TO SCALE, DIMENSIONS IN MM

SEE PAGES 18-26 FOR COMPLETE LIST OF AVAILABLE MATERIALS, FINISHES AND CONNECTOR INTERFACES
(DIMENSIONS, FORM AND O RING SUBJECT TO CHANGE DEPENDING ON BACKSHELL MATERIAL AND CONNECTOR INTERFACE)

88H3C - Band-In-A-Can Cobra Head

Interface H - MIL-DTL-38999 SERIES III & IV



Interconnect Solutions Worldwide

BAND TERMINATION

TABLE 1

SHELL SIZE	A THREAD	ØB MAX	ØT MIN	ØD MAX	E MAX	F MAX	K +/-0,5	MAX ENTRY
09	M12 x 1.0	18,0	6,7	18,7	17,7	54,6	8,7	04
11	M15 x 1.0	21,0	10,2	21,7	19,0	58,7	8,7	06
13	M18 x 1.0	24,5	13,5	24,7	22,1	58,7	8,7	08
15	M22 x 1.0	27,5	16,2	24,7	22,1	62,5	10,2	08
17	M25 x 1.0	31,0	19,4	28,7	25,1	64,8	11,2	10
19	M28 x 1.0	34,0	21,8	28,7	25,1	67,5	11,2	10
21	M31 x 1.0	37,0	25,1	28,7	25,1	68,5	11,2	10
23	M34 x 1.0	40,0	28,2	31,7	28,1	71,0	12,7	12
25	M37 x 1.0	43,5	31,4	31,7	28,1	72,5	12,7	12

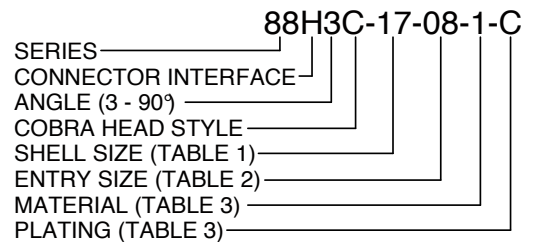
TABLE 2

ENTRY SIZE	ØG MIN	ØH MAX
03	4,77	20,2
04	6,35	21,8
05	7,92	23,4
06	9,52	25,0
07	11,10	26,5
08	12,70	28,0
09	14,27	29,7
10	15,88	31,3
11	17,47	33,0
12	19,05	34,6

TABLE 3

CODE	MATERIAL / PLATING
1-C	ALUMINIUM / ELECTROLESS NICKEL
1-B	ALUMINIUM / CADMIUM OLIVE DRAB OVER ELECTROLESS NICKEL
1-ZB	ALUMINIUM / ZINC COBALT OLIVE DRAB OVER ELECTROLESS NICKEL
1-ZN	ALUMINIUM / ZINC NICKEL BLACK PASSIVATE OVER ELECTROLESS NICKEL
4-J	STAINLESS STEEL / PASSIVATE
2-Z	NICKEL ALUMINIUM BRONZE / SHOT BLAST NON REFLECTIVE

LIST NOT EXHAUSTIVE, SEE PLATING TABLE FOR OTHER OPTIONS



For tooling and assembly instructions see www.polamco.com

- Backshell supplied without Band (see page 349)
- Sealing and strain relief achieved with Heat Shrink Boot (see page 354)
- Adhesive if required for assembly (see page 352)
- Screenbraid for EMC/RFI screening (see page 350)

DRAWING NOT TO SCALE, DIMENSIONS IN MM

SEE PAGES 18-26 FOR COMPLETE LIST OF AVAILABLE MATERIALS, FINISHES AND CONNECTOR INTERFACES (DIMENSIONS, FORM AND O RING SUBJECT TO CHANGE DEPENDING ON BACKSHELL MATERIAL AND CONNECTOR INTERFACE)

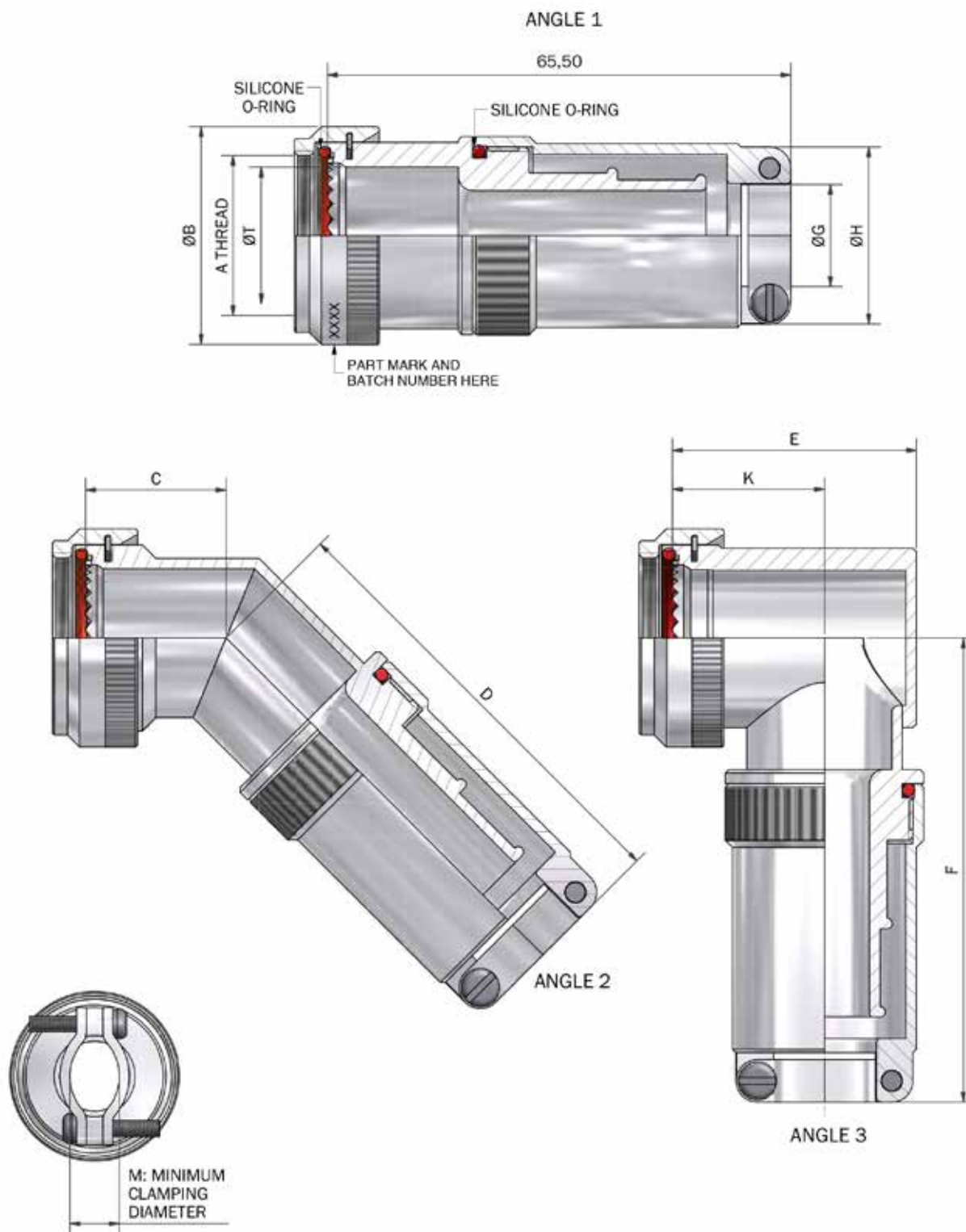
89F - Double Band-In-A-Can

Interface F - MIL-DTL-38999 SERIES I



Interconnect Solutions Worldwide

BAND TERMINATION



DRAWING NOT TO SCALE, DIMENSIONS IN MM

SEE PAGES 18-26 FOR COMPLETE LIST OF AVAILABLE MATERIALS, FINISHES AND CONNECTOR INTERFACES (DIMENSIONS, FORM AND O RING SUBJECT TO CHANGE DEPENDING ON BACKSHELL MATERIAL AND CONNECTOR INTERFACE)

89F - Double Band-In-A-Can

Interface F - MIL-DTL-38999 SERIES I



Interconnect Solutions Worldwide

BAND TERMINATION

TABLE 1

SHELL SIZE	A THREAD	ØB MAX	ØT MIN	C ±0,5	D MAX	E MAX	F MAX	K ±0,5
09	7/16-28 UNEF	18,0	6,8	16,4	62,5	22,7	62,4	15,0
11	9/16-24 UNEF	21,0	10,2	17,2	63,9	26,2	64,2	17,0
13	11/16-24 UNEF	24,5	13,1	17,6	64,3	29,2	65,7	18,0
15	13/16-20 UNEF	27,8	16,2	18,5	65,2	32,2	67,2	20,0
17	15/16-20 UNEF	30,8	19,3	19,2	66,0	35,7	68,9	21,5
19	1 1/16-18 UNEF	34,1	22,3	19,6	66,1	39,7	70,5	23,0
21	1 3/16-18 UNEF	37,3	25,8	20,4	67,0	42,2	72,1	25,0
23	1 5/16-18 UNEF	41,0	28,3	20,8	67,5	45,2	73,6	26,0
25	1 7/16-18 UNEF	43,7	31,5	21,7	68,2	48,2	75,1	28,0

TABLE 2

ENTRY SIZE	ØG MIN	ØH MAX	M ±0,5
03	4,7	17,2	6,8
04	6,3	18,8	6,7
05	7,9	20,4	7,8
06	9,5	22,0	7,9
07	11,1	23,5	8,6
08	12,7	25,0	9,0
09	14,2	26,7	10,2
10	15,8	28,3	10,4
11	17,4	30,0	12,5
12	19,0	31,5	12,4
13	20,6	33,0	15,0
14	22,2	34,7	15,4
15	23,8	36,4	16,8
16	25,4	37,8	17,3
17	27,0	39,4	18,8
18	28,6	41,0	19,5
19	30,2	42,6	23,9
20	31,8	44,2	22,4
21	33,3	45,8	23,8
22	35,0	47,3	24,4
23	36,5	50,9	26,4
24	38,1	50,9	26,4

TABLE 3

CODE	FINISH
C	ELECTROLESS NICKEL
B	CADMIUM OLIVE DRAB OVER ELECTROLESS NICKEL
ZB	ZINC COBALT OLIVE DRAB OVER ELECTROLESS NICKEL
ZN	ZINC NICKEL BLACK PASSIVATE OVER ELECTROLESS NICKEL

LIST NOT EXHAUSTIVE, SEE PLATING TABLE FOR OTHER OPTIONS

89F1-17-08-1-C

SERIES _____
 CONNECTOR INTERFACE _____
 ANGLE _____
 SHELL SIZE (TABLE 1) _____
 ENTRY SIZE (TABLE 2) _____
 MATERIAL _____
 ALUMINIUM ALLOY _____
 FINISH (TABLE 3) _____

For tooling and assembly instructions see www.polamco.com

- Backshell supplied without Band (see page 349)
- Sealing and strain relief achieved with Heat Shrink Boot (see page 354)
- Adhesive if required for assembly (see page 352)
- Screenbraid for EMC/RFI screening (see page 350)

DRAWING NOT TO SCALE, DIMENSIONS IN MM

SEE PAGES 18-26 FOR COMPLETE LIST OF AVAILABLE MATERIALS, FINISHES AND CONNECTOR INTERFACES (DIMENSIONS, FORM AND O RING SUBJECT TO CHANGE DEPENDING ON BACKSHELL MATERIAL AND CONNECTOR INTERFACE)

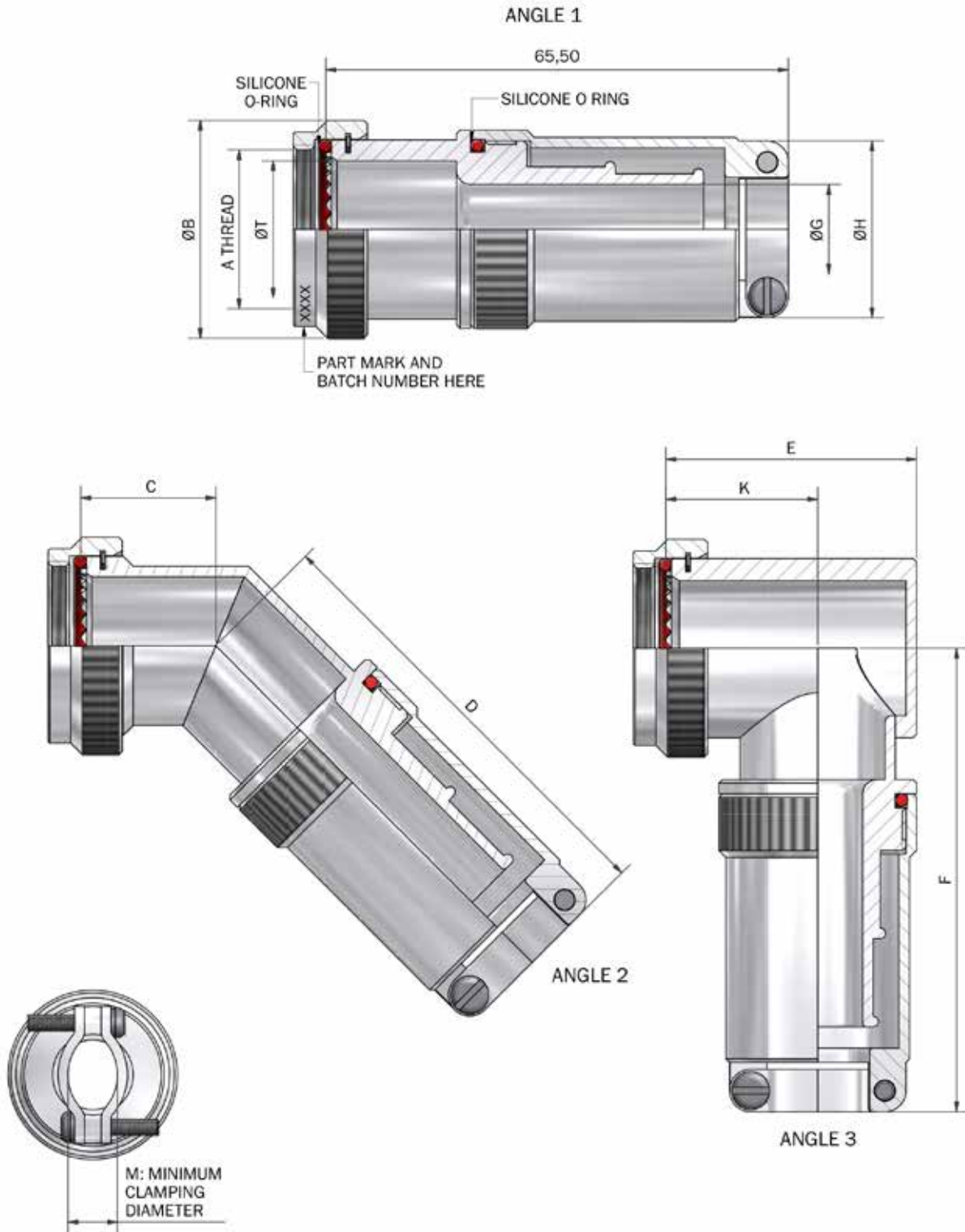
89F - Double Band-In-A-Can

Interface F - MIL-DTL-38999 SERIES II



Interconnect Solutions Worldwide

BAND TERMINATION



DRAWING NOT TO SCALE, DIMENSIONS IN MM

SEE PAGES 18-26 FOR COMPLETE LIST OF AVAILABLE MATERIALS, FINISHES AND CONNECTOR INTERFACES (DIMENSIONS, FORM AND O RING SUBJECT TO CHANGE DEPENDING ON BACKSHELL MATERIAL AND CONNECTOR INTERFACE)

89F - Double Band-In-A-Can

Interface F - MIL-DTL-38999 SERIES II



Interconnect Solutions Worldwide

BAND TERMINATION

TABLE 1

SHELL SIZE	A THREAD	ØB MAX	ØT MIN	C ±0,5	D MAX	E MAX	F MAX	K ±0,5
08	7/16-28 UNEF	18,3	6,6	16,4	62,5	22,7	62,4	15,0
10	9/16-24 UNEF	21,5	10,1	17,2	63,9	26,2	64,2	17,0
12	11/16-24 UNEF	24,5	12,9	17,6	64,3	29,2	65,7	18,0
14	13/16-20 UNEF	27,8	16,1	18,5	65,2	32,2	67,2	20,0
16	15/16-20 UNEF	30,8	19,3	19,2	66,0	35,7	68,9	21,5
18	1 1/16-18 UNEF	34,1	21,7	19,6	66,1	39,7	70,5	23,0
20	1 3/16-18 UNEF	37,3	24,9	20,4	67,0	42,2	72,1	25,0
22	1 5/16-18 UNEF	40,5	28,1	20,8	67,5	45,2	73,6	26,0
24	1 7/16-18 UNEF	43,7	31,3	21,7	68,2	48,2	75,1	28,0

TABLE 2

ENTRY SIZE	ØG MIN	ØH MAX	M ±0,5
03	4,7	17,2	6,8
04	6,3	18,8	6,7
05	7,9	20,4	7,8
06	9,5	22,0	7,9
07	11,1	23,5	8,6
08	12,7	25,0	9,0
09	14,2	26,7	10,2
10	15,8	28,3	10,4
11	17,4	30,0	12,5
12	19,0	31,5	12,4
13	20,6	33,0	15,0
14	22,2	34,7	15,4
15	23,8	36,4	16,8
16	25,4	37,8	17,3
17	27,0	39,4	18,8
18	28,6	41,0	19,5
19	30,2	42,6	23,9
20	31,8	44,2	22,4
21	33,3	45,8	23,8
22	35,0	47,3	24,4
23	36,5	50,9	26,4
24	38,1	50,9	26,4

TABLE 3

CODE	FINISH
C	ELECTROLESS NICKEL
B	CADMIUM OLIVE DRAB OVER ELECTROLESS NICKEL
ZB	ZINC COBALT OLIVE DRAB OVER ELECTROLESS NICKEL
ZN	ZINC NICKEL BLACK PASSIVATE OVER ELECTROLESS NICKEL

LIST NOT EXHAUSTIVE, SEE PLATING TABLE FOR OTHER OPTIONS

89F1-16-08-1-C

SERIES _____
CONNECTOR INTERFACE _____
ANGLE _____
SHELL SIZE (TABLE 1) _____
ENTRY SIZE (TABLE 2) _____
MATERIAL _____
ALUMINIUM ALLOY _____
FINISH (TABLE 3) _____

For tooling and assembly instructions see www.polamco.com

- Backshell supplied without Band (see page 349)
- Sealing and strain relief achieved with Heat Shrink Boot (see page 354)
- Adhesive if required for assembly (see page 352)
- Screenbraid for EMC/RFI screening (see page 350)

DRAWING NOT TO SCALE, DIMENSIONS IN MM

SEE PAGES 18-26 FOR COMPLETE LIST OF AVAILABLE MATERIALS, FINISHES AND CONNECTOR INTERFACES (DIMENSIONS, FORM AND O RING SUBJECT TO CHANGE DEPENDING ON BACKSHELL MATERIAL AND CONNECTOR INTERFACE)

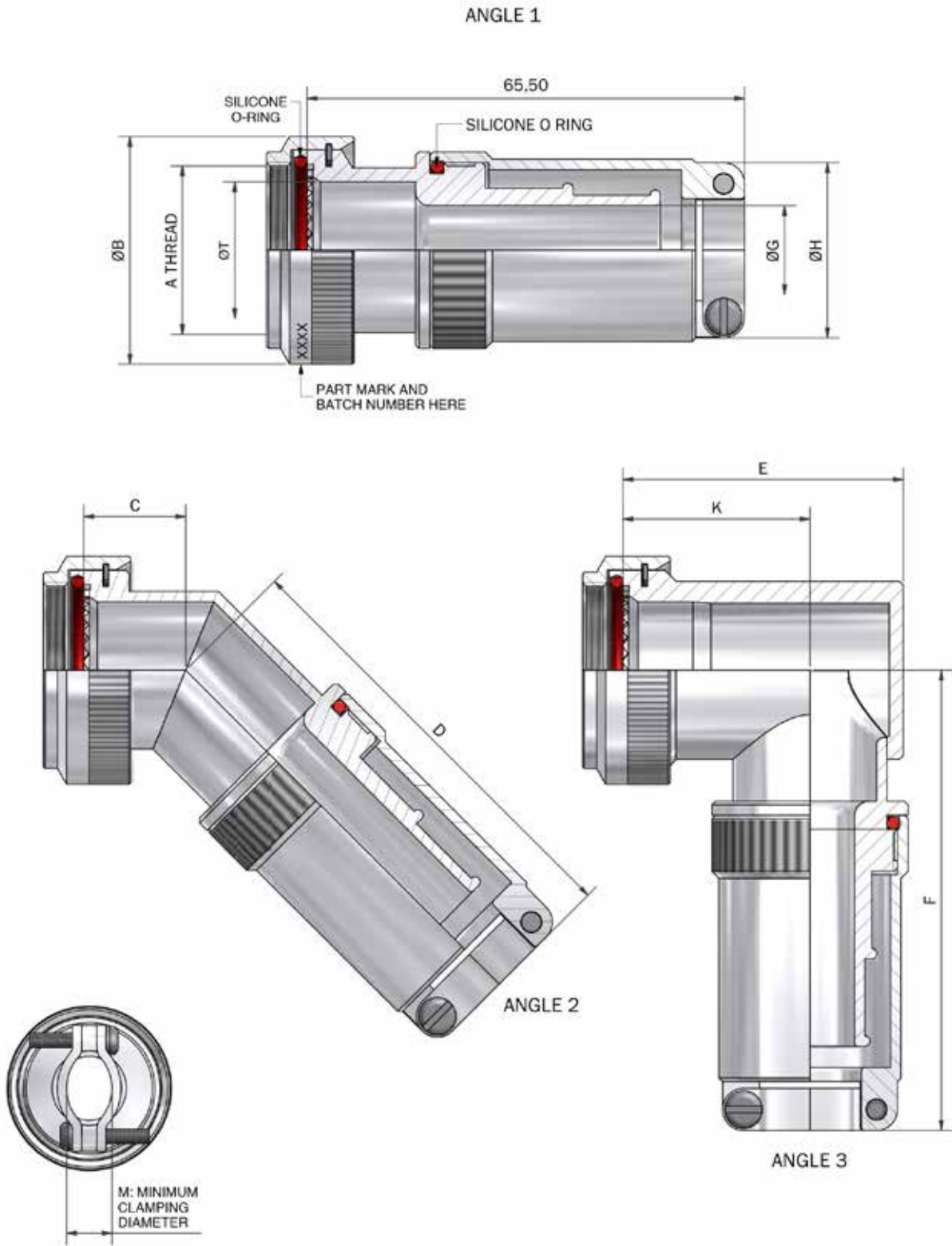
89H - Double Band-In-A-Can

Interface H - MIL-DTL-38999 SERIES III & IV



Interconnect Solutions Worldwide

BAND TERMINATION



DRAWING NOT TO SCALE, DIMENSIONS IN MM

SEE PAGES 18-26 FOR COMPLETE LIST OF AVAILABLE MATERIALS, FINISHES AND CONNECTOR INTERFACES (DIMENSIONS, FORM AND O RING SUBJECT TO CHANGE DEPENDING ON BACKSHELL MATERIAL AND CONNECTOR INTERFACE)

89H - Double Band-In-A-Can

Interface H - MIL-DTL-38999 SERIES III & IV



Interconnect Solutions Worldwide

BAND TERMINATION

TABLE 1

SHELL SIZE	A THREAD	ØB MAX	ØT MIN	C MAX	D MAX	E MAX	F MAX	K ±0,5
09	M12 x 1.0	18,0	6,7	13,1	62,5	25,7	62,4	17,5
11	M15 x 1.0	21,0	10,2	13,9	63,9	26,7	64,2	17,5
13	M18 x 1.0	24,5	13,5	14,5	64,3	31,2	65,7	20,0
15	M22 x 1.0	29,0	16,2	15,5	65,2	37,2	67,2	24,5
17	M25 x 1.0	32,5	19,4	16,1	66,0	40,2	68,9	26,7
19	M28 x 1.0	35,5	21,8	16,8	66,1	44,7	70,5	27,0
21	M31 x 1.0	37,0	25,1	17,1	67,0	49,2	72,1	30,5
23	M34 x 1.0	40,0	28,2	17,7	67,5	51,7	73,6	31,5
25	M37 x 1.0	43,5	31,4	18,4	68,2	53,2	75,1	28,5

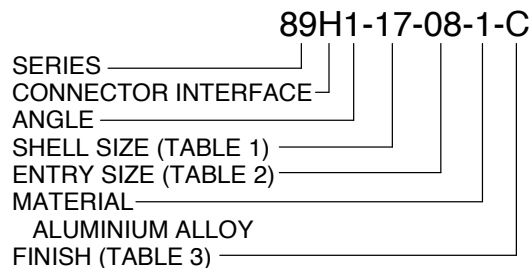
TABLE 2

ENTRY SIZE	ØG MIN	ØH MAX	M ±0,5
03	4,7	17,2	6,8
04	6,3	18,8	6,7
05	7,9	20,4	7,8
06	9,5	22,0	7,9
07	11,1	23,5	8,6
08	12,7	25,0	9,0
09	14,2	26,7	10,2
10	15,8	28,3	10,4
11	17,4	30,0	12,5
12	19,0	31,5	12,4
13	20,6	33,0	15,0
14	22,2	34,7	15,4
15	23,8	36,4	16,8
16	25,4	37,8	17,3
17	27,0	39,4	18,8
18	28,6	41,0	19,5
19	30,2	42,6	23,9
20	31,8	44,2	22,4
21	33,3	45,8	23,8
22	35,0	47,3	24,4
23	36,5	50,9	26,4
24	38,1	50,9	26,4

TABLE 3

CODE	FINISH
C	ELECTROLESS NICKEL
B	CADMIUM OLIVE DRAB OVER ELECTROLESS NICKEL
ZB	ZINC COBALT OLIVE DRAB OVER ELECTROLESS NICKEL
ZN	ZINC NICKEL BLACK PASSIVATE OVER ELECTROLESS NICKEL

LIST NOT EXHAUSTIVE, SEE PLATING TABLE FOR OTHER OPTIONS



For tooling and assembly instructions see www.polamco.com

- Backshell supplied without Band (see page 349)
- Sealing and strain relief achieved with Heat Shrink Boot (see page 354)
- Adhesive if required for assembly (see page 352)
- Screenbraid for EMC/RFI screening (see page 350)

DRAWING NOT TO SCALE, DIMENSIONS IN MM

SEE PAGES 18-26 FOR COMPLETE LIST OF AVAILABLE MATERIALS, FINISHES AND CONNECTOR INTERFACES (DIMENSIONS, FORM AND O RING SUBJECT TO CHANGE DEPENDING ON BACKSHELL MATERIAL AND CONNECTOR INTERFACE)

PVG1AH1 - Band Termination

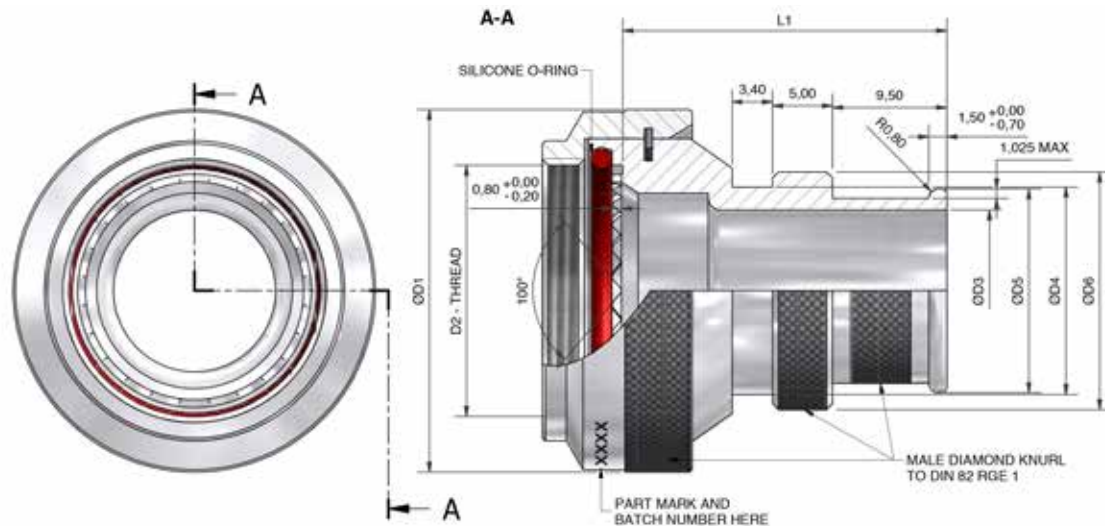
Interface H - MIL-DTL-38999 SERIES III & IV

VG APPROVED



Interconnect Solutions Worldwide

BAND TERMINATION



VG PART NUMBERING

VG95319-1011A001A

VG SERIES
DASH NUMBER
MATERIAL AND FINISH OPTION
A = ALUMINIUM ALLOY - OLIVE DRAB OVER ELECTROLESS NICKEL
B = ALUMINIUM BRONZE - SHOT BLAST
S = STAINLESS STEEL - PASSIVATED

POLAMCO PART NUMBERING

PVG1AH1-001-1-B

POLAMCO SERIES
INTERFACE
ANGLE (1=STRAIGHT)
DASH NUMBER (TABLE 1)
MATERIAL
FINISH (TABLE 2)

ANY OPTIONS OUTSIDE THOSE POSSIBLE WITH VG PART NUMBER ARE AVAILABLE BUT WILL NOT BE VG APPROVED PARTS. FOR FULL LIST OF MATERIAL AND PLATING OPTIONS PLEASE VISIT OUR WEBSITE.

TABLE 1

DASH NO.	SHELL SIZE	OD1 MAX	D2	OD3	OD3 TOL	OD4	OD5	OD6	L1	NO. OF TEETH	MASS (g) MAX
001	09	19.5	M12 X 1	9.0	± 0.025	12.8	12.5	15.3	27.0	12.0	20.0
011	11	23.0	M15 X 1	9.5	± 0.2	13.3	13.0	15.8	38.0	16.0	20.0
002	11	23.0	M15 X 1	12.5	± 0.025	16.3	16.0	18.8	27.0	16.0	20.0
012	13	25.9	M18 X 1	9.5	± 0.2	13.3	13.0	15.8	38.0	20.0	20.0
003	13	25.9	M18 X 1	12.0	± 0.025	15.8	15.5	18.3	27.0	20.0	20.0
013	15	30.2	M22 X 1	9.5	± 0.2	13.3	13.0	15.8	38.0	24.0	20.0
004	15	30.2	M22 X 1	13.5	± 0.025	17.3	17.0	19.8	27.0	24.0	20.0
005	17	33.0	M25 X 1	12.8	± 0.025	16.6	16.3	19.1	38.0	28.0	30.0
006	17	33.0	M25 X 1	23.5	± 0.025	27.3	26.9	29.8	38.0	28.0	30.0
014	19	35.9	M28 X 1	17.5	± 0.2	21.3	21.0	23.8	38.0	32.0	30.0
007	19	35.9	M28 X 1	18.0	± 0.025	21.8	21.6	24.3	38.0	32.0	30.0
015	21	39.2	M31 X 1	13.0	± 0.2	16.8	16.5	19.3	38.0	36.0	30.0
016	21	39.2	M31 X 1	16.0	± 0.2	19.8	19.5	22.3	38.0	36.0	30.0
008	21	39.2	M31 X 1	19.0	± 0.025	22.8	22.6	25.3	38.0	36.0	30.0
017	23	42.4	M34 X 1	19.0	± 0.2	22.8	22.5	25.3	38.0	40.0	30.0
009	23	42.4	M34 X 1	23.0	± 0.025	26.8	26.4	29.3	38.0	40.0	40.0
018	25	45.0	M37 X 1	16.0	± 0.2	19.8	19.5	22.3	38.0	44.0	40.0
019	25	45.0	M37 X 1	19.0	± 0.2	22.8	22.5	25.3	38.0	44.0	40.0
020	25	45.0	M37 X 1	22.5	± 0.2	26.3	26.0	28.8	38.0	44.0	40.0
010	25	45.0	M37 X 1	28.5	± 0.025	32.3	32.0	34.8	38.0	44.0	40.0

TABLE 2

CODE	FINISH
C	ELECTROLESS NICKEL
B	CADMIUM OLIVE DRAB OVER ELECTROLESS NICKEL
ZB	ZINC COBALT OLIVE DRAB OVER ELECTROLESS NICKEL
ZN	ZINC NICKEL BLACK PASSIVATE OVER ELECTROLESS NICKEL

LIST NOT EXHAUSTIVE. SEE PLATING TABLE FOR OTHER OPTIONS

For tooling and assembly instructions see www.polamco.com

- Backshell supplied without Band (see page 349)
- Sealing and strain relief achieved with Heat Shrink Boot (see page 354)
- Adhesive if required for assembly (see page 352)
- Screenbraid for EMC/RFI screening (see page 350)

DRAWING NOT TO SCALE, DIMENSIONS IN MM

SEE PAGES 18-26 FOR COMPLETE LIST OF AVAILABLE MATERIALS, FINISHES AND CONNECTOR INTERFACES (DIMENSIONS, FORM AND O RING SUBJECT TO CHANGE DEPENDING ON BACKSHELL MATERIAL AND CONNECTOR INTERFACE)

PVG1BH3 - Band Termination (90°)

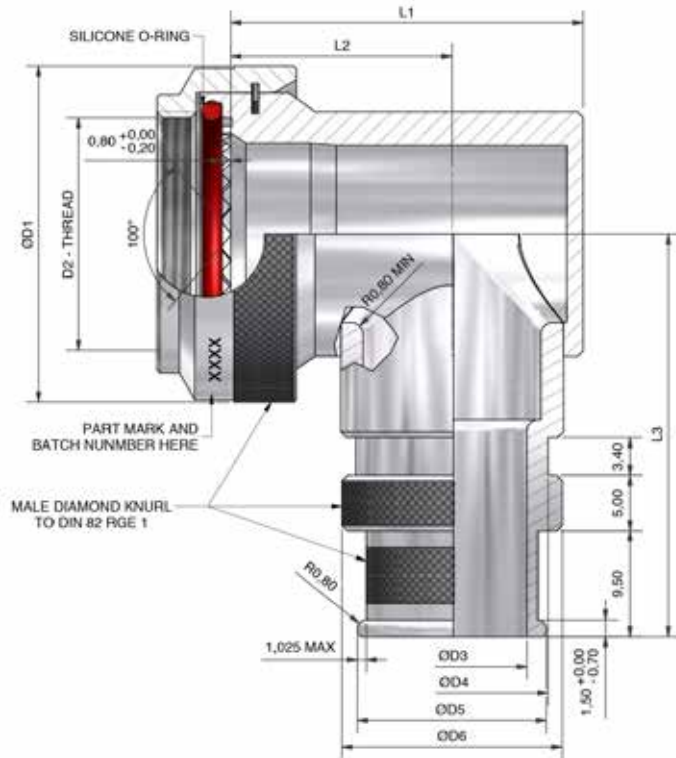
Interface H - MIL-DTL-38999 SERIES III & IV

VG APPROVED



Interconnect Solutions Worldwide

BAND TERMINATION



VG PART NUMBERING

VG95319-1011B001A

VG SERIES
DASH NUMBER
MATERIAL AND FINISH OPTION
A = ALUMINIUM ALLOY - OLIVE DRAB OVER ELECTROLESS NICKEL
B = ALUMINIUM BRONZE - SHOT BLAST
S = STAINLESS STEEL - PASSIVATED

POLAMCO PART NUMBERING

PVG1BH3-001-1-B

POLAMCO SERIES
INTERFACE
ANGLE (3=90°)
DASH NUMBER (TABLE 1)
MATERIAL
FINISH (TABLE 2)

ANY OPTIONS OUTSIDE THOSE POSSIBLE WITH VG PART NUMBERING ARE AVAILABLE BUT WILL NOT BE VG APPROVED PARTS. FOR FULL LIST OF MATERIAL AND FINISH OPTIONS PLEASE VISIT OUR WEBSITE.

TABLE 1

DASH NO.	SHELL SIZE	OD1 MAX	D2	OD3 ± 0.025	OD4 ± 0.1	OD5 ± 0.1	OD6 ± 0.1	L1 MAX	L2 MAX	L3 MAX	NO. OF TEETH	MASS (g) MAX
001	09	19.5	M12 X 1	9.0	12.8	12.5	15.3	24.0	16.4	31.2	12.0	30.0
002	11	23.0	M15 X 1	12.5	16.3	16.0	18.8	27.8	18.4	32.8	16.0	30.0
003	13	25.9	M18 X 1	12.0	15.8	15.5	18.3	29.5	20.0	34.2	20.0	35.0
004	15	30.2	M22 X 1	13.5	17.3	17.0	19.8	31.9	21.2	36.4	24.0	45.0
005	17	33.0	M25 X 1	12.8	16.6	16.3	19.1	35.0	22.8	37.8	28.0	55.0
006	17	33.0	M25 X 1	23.5	27.3	26.9	29.8	37.7	22.8	37.8	28.0	55.0
007	19	35.9	M28 X 1	18.0	21.8	21.6	24.3	37.4	24.0	39.2	32.0	65.0
008	21	39.2	M31 X 1	19.0	22.8	22.6	25.3	40.6	25.6	40.9	36.0	75.0
009	23	42.4	M34 X 1	23.0	26.8	26.4	29.3	43.8	27.1	42.5	40.0	85.0
010	25	45.0	M37 X 1	28.5	32.3	32.0	34.8	46.3	28.4	43.8	44.0	95.0

TABLE 2

CODE	FINISH
C	ELECTROLESS NICKEL
B	CADMIUM OLIVE DRAB OVER ELECTROLESS NICKEL
ZB	ZINC COBAL T OLIVE DRAB OVER ELECTROLESS NICKEL
ZN	ZINC NICKEL BLACK PASSIVATE OVER ELECTROLESS NICKEL

LIST NOT EXHAUSTIVE. SEE PLATING TABLE FOR OTHER OPTIONS

For tooling and assembly instructions see www.polamco.com

- Backshell supplied without Band (see page 349)
- Sealing and strain relief achieved with Heat Shrink Boot (see page 354)
- Adhesive if required for assembly (see page 352)
- Screenbraid for EMC/RFI screening (see page 350)

DRAWING NOT TO SCALE, DIMENSIONS IN MM

SEE PAGES 18-26 FOR COMPLETE LIST OF AVAILABLE MATERIALS, FINISHES AND CONNECTOR INTERFACES (DIMENSIONS, FORM AND O RING SUBJECT TO CHANGE DEPENDING ON BACKSHELL MATERIAL AND CONNECTOR INTERFACE)

PVG1GH1 - Band Termination

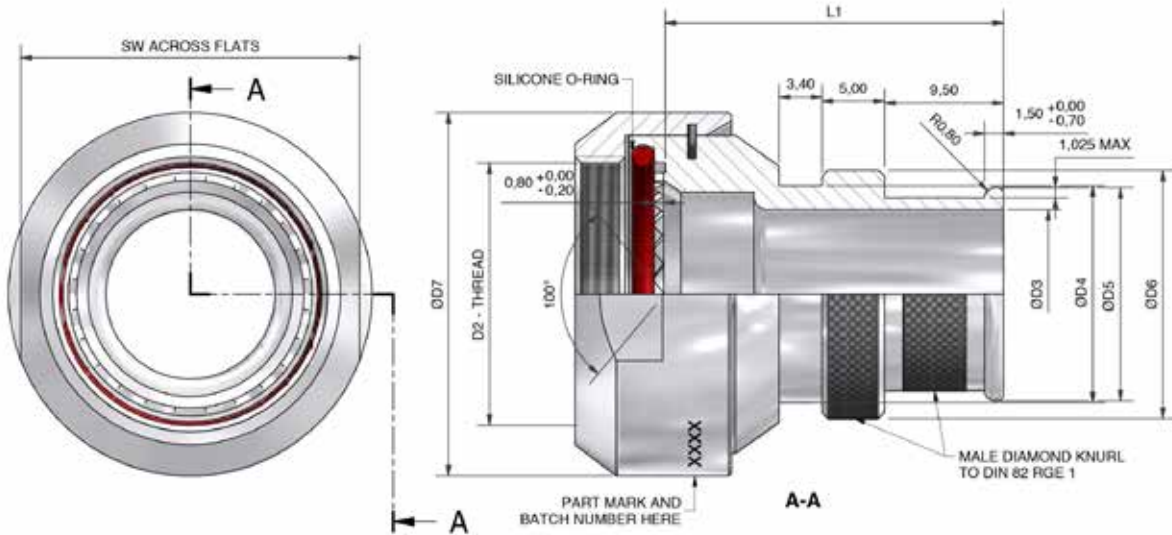
Interface H - MIL-DTL-38999 SERIES III & IV

VG APPROVED



Interconnect Solutions Worldwide

BAND TERMINATION



VG PART NUMBERING

VG95319-1011G001A

VG SERIES
DASH NUMBER
MATERIAL AND FINISH OPTION
A = ALUMINIUM ALLOY - OLIVE DRAB OVER ELECTROLESS NICKEL
B = ALUMINIUM BRONZE - SHOT BLAST
S = STAINLESS STEEL - PASSIVATED

POLAMCO PART NUMBERING

PVG1GH1-001-1-B

POLAMCO SERIES
INTERFACE
ANGLE (1 = STRAIGHT)
DASH NUMBER (TABLE 1)
MATERIAL
FINISH (TABLE 2)

ANY OPTIONS OUTSIDE THOSE POSSIBLE WITH VG PART NUMBERING ARE AVAILABLE BUT WILL NOT BE VG APPROVED PARTS. FOR FULL LIST OF MATERIAL AND PLATING OPTIONS PLEASE VISIT OUR WEBSITE.

TABLE 1

DASH NO.	SHELL SIZE	D2	OD3	OD3 TOL	OD4 ± 0,1	OD5 ± 0,1	OD6 ± 0,1	OD7 ± 0,2	α ± 1	SW +0/-0,2	L1 ± 0,8	NO. OF TEETH	MASS (g) MAX
001	09	M12 X 1	9,0	± 0,025	12,8	12,5	15,3	19,0	35°	17,0	27,0	12,0	20,0
011	11	M15 X 1	9,5	± 0,2	13,3	13,0	15,8	22,0	37°	20,0	38,0	16,0	20,0
002	11	M15 X 1	12,5	± 0,025	16,3	16,0	18,8	22,0	37°	20,0	27,0	16,0	20,0
012	13	M18 X 1	9,5	± 0,2	13,3	13,0	15,8	25,0	37°	23,0	38,0	20,0	20,0
003	13	M18 X 1	12,0	± 0,025	15,8	15,5	18,3	25,0	37°	23,0	27,0	20,0	20,0
013	15	M22 X 1	9,5	± 0,2	13,3	13,0	15,8	29,0	37°	27,0	38,0	24,0	20,0
004	15	M22 X 1	13,5	± 0,025	17,3	17,0	19,8	29,0	37°	27,0	27,0	24,0	20,0
005	17	M25 X 1	12,8	± 0,025	16,6	16,3	19,1	32,0	37°	30,0	38,0	28,0	30,0
006	17	M25 X 1	23,5	± 0,025	27,3	26,9	29,8	32,0	37°	30,0	38,0	28,0	30,0
014	19	M28 X 1	17,5	± 0,2	21,3	21,0	23,8	36,0	40°	34,0	38,0	32,0	30,0
007	19	M28 X 1	18,0	± 0,025	21,8	21,6	24,3	36,0	40°	34,0	38,0	32,0	30,0
015	21	M31 X 1	13,0	± 0,2	16,8	16,5	19,3	39,0	40°	37,0	38,0	36,0	30,0
016	21	M31 X 1	16,0	± 0,2	19,8	19,5	22,3	39,0	40°	37,0	38,0	36,0	30,0
008	21	M31 X 1	19,0	± 0,025	22,8	22,6	25,3	39,0	40°	37,0	38,0	36,0	30,0
017	23	M34 X 1	19,0	± 0,2	22,8	22,5	25,3	43,0	40°	41,0	38,0	40,0	30,0
009	23	M34 X 1	23,0	± 0,025	26,8	26,4	29,3	43,0	40°	41,0	38,0	40,0	40,0
018	25	M37 X 1	16,0	± 0,2	19,8	19,5	22,3	46,0	40°	44,0	38,0	44,0	40,0
019	25	M37 X 1	19,0	± 0,2	22,8	22,5	25,3	46,0	40°	44,0	38,0	44,0	40,0
020	25	M37 X 1	22,5	± 0,2	26,3	26,0	28,8	46,0	40°	44,0	38,0	44,0	40,0
010	25	M37 X 1	28,5	± 0,025	32,3	32,0	34,8	46,0	40°	44,0	38,0	44,0	40,0

TABLE 2

CODE	FINISH
C	ELECTROLESS NICKEL
B	CADMIUM OLIVE DRAB OVER ELECTROLESS NICKEL
ZB	ZINC COBALT OLIVE DRAB OVER ELECTROLESS NICKEL
ZN	ZINC NICKEL BLACK PASSIVATE OVER ELECTROLESS NICKEL

LIST NOT EXHAUSTIVE, SEE PLATING TABLE FOR OTHER OPTIONS

For tooling and assembly instructions see www.polamco.com

- Backshell supplied without Band (see page 349)
- Sealing and strain relief achieved with Heat Shrink Boot (see page 354)
- Adhesive if required for assembly (see page 352)
- Screenbraid for EMC/RFI screening (see page 350)

DRAWING NOT TO SCALE, DIMENSIONS IN MM

SEE PAGES 18-26 FOR COMPLETE LIST OF AVAILABLE MATERIALS, FINISHES AND CONNECTOR INTERFACES (DIMENSIONS, FORM AND O RING SUBJECT TO CHANGE DEPENDING ON BACKSHELL MATERIAL AND CONNECTOR INTERFACE)

PVG1HH3 - Band Termination (90°)

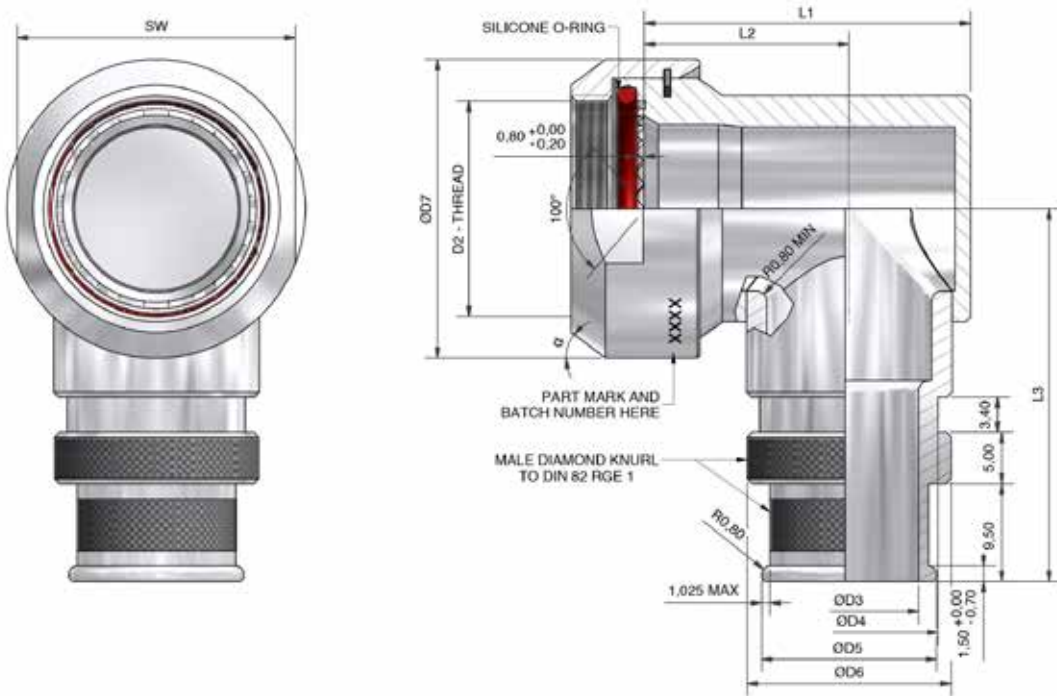
Interface H - MIL-DTL-38999 SERIES III & IV

VG APPROVED



Interconnect Solutions Worldwide

BAND TERMINATION



VG PART NUMBERING

VG95319-1011H001A

VG SERIES
DASH NUMBER
MATERIAL AND FINISH OPTION
A = ALUMINIUM ALLOY - OLIVE DRAB OVER ELECTROLESS NICKEL
B = ALUMINIUM BRONZE - SHOT BLAST
S = STAINLESS STEEL - PASSIVATED

POLAMCO PART NUMBERING

PVG1HH3-001-1-B

POLAMCO SERIES
INTERFACE
ANGLE (3 = 90°)
DASH NUMBER (TABLE 1)
MATERIAL
FINISH (TABLE 2)

ANY OPTIONS OUTSIDE THOSE POSSIBLE WITH VG PART NUMBER ARE AVAILABLE BUT WILL NOT BE VG APPROVED PARTS. FOR FULL LIST OF MATERIAL AND FINISH OPTIONS PLEASE VISIT OUR WEBSITE.

TABLE 1

DASH NO.	SHELL SIZE	D2	OD3	OD3 TOL	OD4 ± 0.1	OD5 ± 0.1	OD6 ± 0.1	OD7 ± 0.2	α ± 1°	SW ± 0/-0.2	L1 MAX	L2 MAX	L3 MAX	NO. OF TEETH	MASS (g) MAX
001	9	M12 X 1	9.0	± 0.025	12.8	12.5	15.3	19.0	35°	17.0	24.0	16.4	31.2	12.0	30.0
002	11	M15 X 1	12.5	± 0.025	16.3	16.0	18.8	22.0	37°	20.0	27.8	18.4	32.8	16.0	30.0
003	13	M18 X 1	12.0	± 0.025	15.8	15.5	18.3	22.0	37°	23.0	29.5	20.0	34.2	20.0	35.0
004	15	M22 X 1	13.5	± 0.025	17.3	17.0	19.8	25.0	37°	27.0	31.9	21.2	36.4	24.0	45.0
005	17	M25 X 1	12.8	± 0.025	16.6	16.3	19.1	29.0	37°	30.0	35.0	22.8	37.8	28.0	55.0
006	17	M25 X 1	23.5	± 0.025	27.3	26.9	29.8	29.0	37°	30.0	37.7	22.8	37.8	28.0	55.0
007	19	M28 X 1	18.0	± 0.025	21.8	21.6	24.3	32.0	40°	34.0	37.4	24.0	39.2	32.0	85.0
008	21	M31 X 1	19.0	± 0.025	22.8	22.6	25.3	36.0	40°	37.0	40.6	25.6	40.9	36.0	75.0
009	23	M34 X 1	23.0	± 0.025	26.8	26.4	29.3	39.0	40°	41.0	43.8	27.1	42.5	40.0	85.0
010	25	M37 X 1	28.5	± 0.025	32.3	32.0	34.8	43.0	40°	44.0	46.3	28.4	43.8	44.0	95.0

TABLE 2

CODE	FINISH
C	ELECTROLESS NICKEL
B	CADMIUM OLIVE DRAB OVER ELECTROLESS NICKEL
ZB	ZINC COBAL T OLIVE DRAB OVER ELECTROLESS NICKEL
ZN	ZINC NICKEL BLACK PASSIVATE OVER ELECTROLESS NICKEL

LIST NOT EXHAUSTIVE. SEE PLATING TABLE FOR OTHER OPTIONS

For tooling and assembly instructions see www.polamco.com

- Backshell supplied without Band (see page 349)
- Sealing and strain relief achieved with Heat Shrink Boot (see page 354)
- Adhesive if required for assembly (see page 352)
- Screenbraid for EMC/RFI screening (see page 350)

DRAWING NOT TO SCALE, DIMENSIONS IN MM

SEE PAGES 18-26 FOR COMPLETE LIST OF AVAILABLE MATERIALS, FINISHES AND CONNECTOR INTERFACES (DIMENSIONS, FORM AND O RING SUBJECT TO CHANGE DEPENDING ON BACKSHELL MATERIAL AND CONNECTOR INTERFACE)

PVG1Z - VG Conduit Adaptor Insert

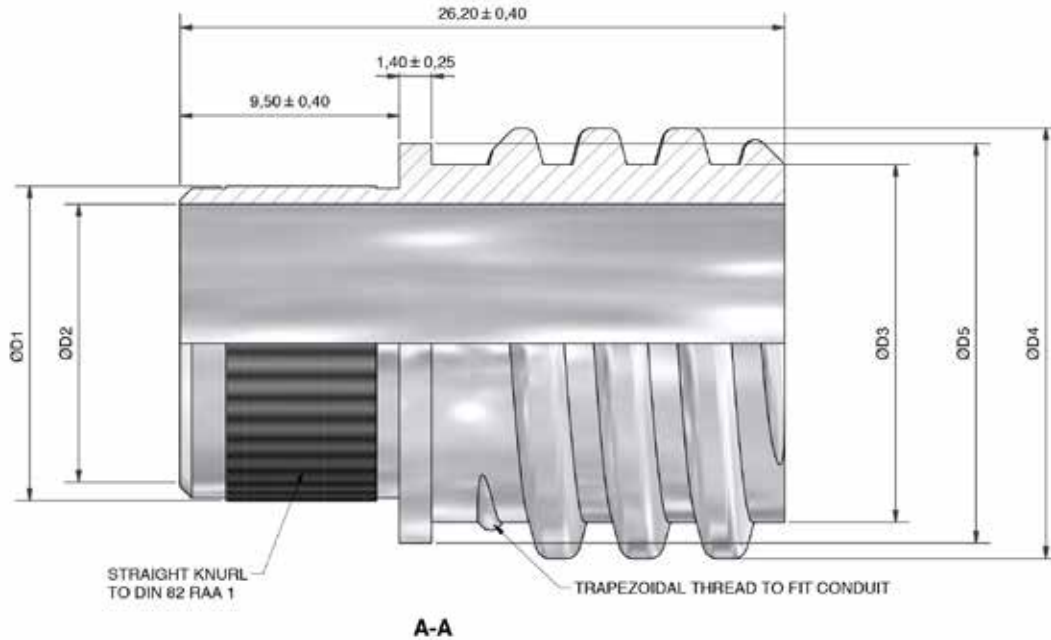
Interface H - MIL-DTL-38999 SERIES III & IV

VG APPROVED



Interconnect Solutions Worldwide

BAND TERMINATION



VG PART NUMBERING

VG95319-1011Z001

VG SERIES
DASH NUMBER

MATERIAL AND FINISH:
STAINLESS STEEL - PASSIVATED

POLAMCO PART NUMBERING

PVG1Z-001-4-J

POLAMCO SERIES
DASH NUMBER (TABLE 1)
MATERIAL
STAINLESS STEEL
FINISH
PASSIVATE

OPTIONS OUTSIDE THOSE POSSIBLE WITH VG PART NUMBER ARE AVAILABLE BUT WILL NOT BE VG APPROVED PARTS. FOR FULL LIST OF MATERIAL AND PLATING OPTIONS PLEASE VISIT OUR WEBSITE

DASH NO.	SHELL SIZE	ØD1 +0.05/+0	ØD2 ±0.05	ØD3 ±0.1	ØD4 ±0.1	ØD5 +0/-0.5	CONDUIT INNER DIAMETER NOM.	MASS (g) MAX
001	9	9,12	8,76	7,9	10,57	12,8	7,8	15
002	11	12,62	9,83	10,9	13,67	16,3	10,9	15
003	13	12,12	9,83	10,9	13,67	15,8	10,9	15
004	15	13,61	12,04	15,5	18,64	17,3	15,5	15
005	17	12,90	11,38	12,5	15,57	16,6	12,4	30
006	17	23,62	20,83	21,8	26,01	27,3	21,8	30
007	19	18,14	14,43	15,5	18,64	21,8	15,5	30
008	21	19,13	17,53	18,5	22,48	22,8	18,5	30
009	23	23,14	20,83	21,8	26,01	26,8	21,8	40
010	25	28,63	27,05	28,2	33,63	32,3	28,0	40

For tooling and assembly instructions see www.polamco.com

- Backshell supplied without Band (see page 349)
- Sealing and strain relief achieved with Heat Shrink Boot (see page 354)
- Adhesive if required for assembly (see page 352)
- Screenbraid for EMC/RFI screening (see page 350)

DRAWING NOT TO SCALE, DIMENSIONS IN MM

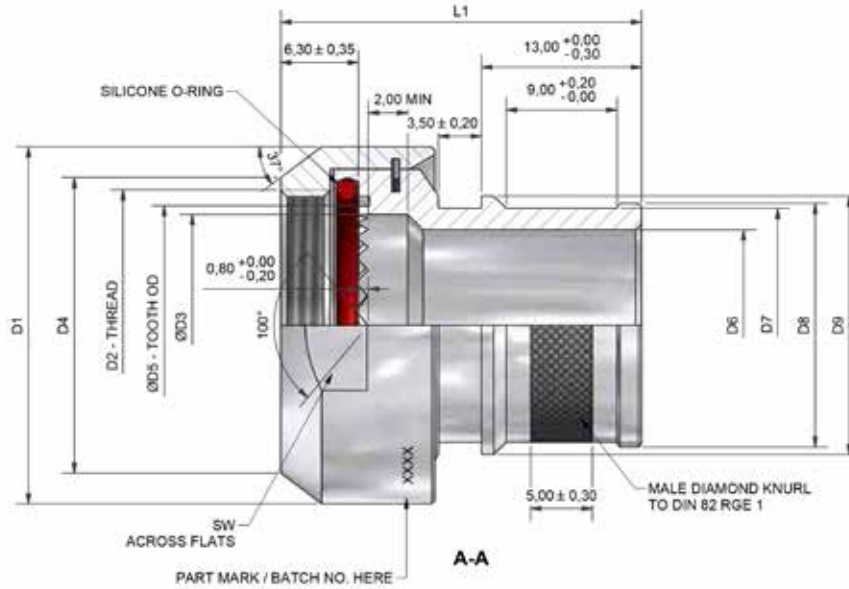
SEE PAGES 18-26 FOR COMPLETE LIST OF AVAILABLE MATERIALS, FINISHES AND CONNECTOR INTERFACES (DIMENSIONS, FORM AND O RING SUBJECT TO CHANGE DEPENDING ON BACKSHELL MATERIAL AND CONNECTOR INTERFACE)

PVG1DH1 - Band Termination Low Profile / Step-Up Entry Interface H - MIL-DTL-38999 SERIES III & IV VG APPROVED



Interconnect Solutions Worldwide

BAND TERMINATION



VG PART NUMBERING

VG95319-1011D001A

VG SERIES
DASH NUMBER
MATERIAL AND FINISH OPTION
A = ALUMINIUM ALLOY - OLIVE
DRAB OVER ELECTROLESS NICKEL
I = ALUMINIUM BRONZE - SHOT BLAST
S = STAINLESS STEEL - PASSIVATED

POLAMCO PART NUMBERING

PVG1DH1-001-1-B

POLAMCO SERIES
INTERFACE (MIL-DTL-38999 SERIES III AND IV)
ANGLE (1 = STRAIGHT)
DASH NUMBER
MATERIAL
FINISH

ANY OPTIONS OUTSIDE THOSE POSSIBLE WITH VG PART NUMBER ARE AVAILABLE BUT WILL NOT BE VG APPROVED PARTS.
FOR FULL LIST OF MATERIAL AND PLATING OPTIONS PLEASE VISIT OUR WEBSITE

DASH NO.	SHELL SIZE	D1 ±0.2	D2	D3 +0.2/-0	D4 +0.2/-0.1	D5 +0.2/-0	D6 +0.5/-0	D7 ±0.1	D8 +0/-0.15	D9 ±0.1	L1 MAX
001	09	19	M12 X 1	8.5	14.25	10.8	19.0	22.5	23.3	24.5	32.0
002	11	22	M15 X 1	12.0	17.00	13.8	9.5	13.0	13.8	15.0	30.0
003	11	22	M15 X 1	12.0	17.00	13.8	22.0	24.8	25.6	28.3	32.0
004	13	25	M18 X 1	13.8	20.00	16.8	25.0	28.5	29.3	32.0	32.0
005	15	29	M22 X 1	18.0	24.00	20.8	15.5	19.0	19.8	21.0	30.0
006	15	29	M22 X 1	18.0	24.00	20.8	17.5	21.0	21.8	23.0	30.0
007	17	32	M25 X 1	21.1	27.00	23.8	28.5	32.0	32.8	35.5	32.0
008	19	36	M28 X 1	24.1	30.00	26.8	22.0	24.8	25.6	28.3	31.0
009	21	39	M31 X 1	27.1	33.00	29.8	25.0	28.5	29.3	32.0	34.0
010	23	43	M34 X 1	30.1	36.00	32.8	12.7	16.5	17.0	18.2	34.0
011	25	46	M37 X 1	33.3	39.00	35.8	17.5	21.0	21.8	23.0	34.0

DASH NO.	SHELL SIZE	α ±1°	SW +0/-0.2	NO. OF TEETH	MASS (g) MAX
001	09	35°	17	12	20
002	11	37°	20	16	12
003	11	37°	20	16	25
004	13	37°	23	20	30
005	15	37°	27	24	30
006	15	37°	27	24	30
007	17	37°	30	28	35
008	19	40°	34	32	35
009	21	40°	37	36	40
010	23	40°	41	40	40
011	25	40°	44	44	40

For tooling and assembly instructions see www.polamco.com

- Backshell supplied without Band (see page 349)
- Sealing and strain relief achieved with Heat Shrink Boot (see page 354)
- Adhesive if required for assembly (see page 352)
- Screenbraid for EMC/RFI screening (see page 350)

DRAWING NOT TO SCALE, DIMENSIONS IN MM

SEE PAGES 18-26 FOR COMPLETE LIST OF AVAILABLE MATERIALS, FINISHES AND CONNECTOR INTERFACES
(DIMENSIONS, FORM AND O RING SUBJECT TO CHANGE DEPENDING ON BACKSHELL MATERIAL AND CONNECTOR INTERFACE)

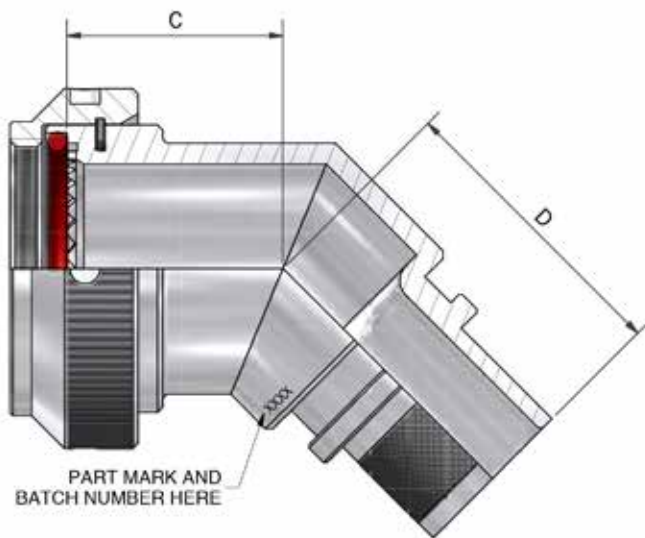
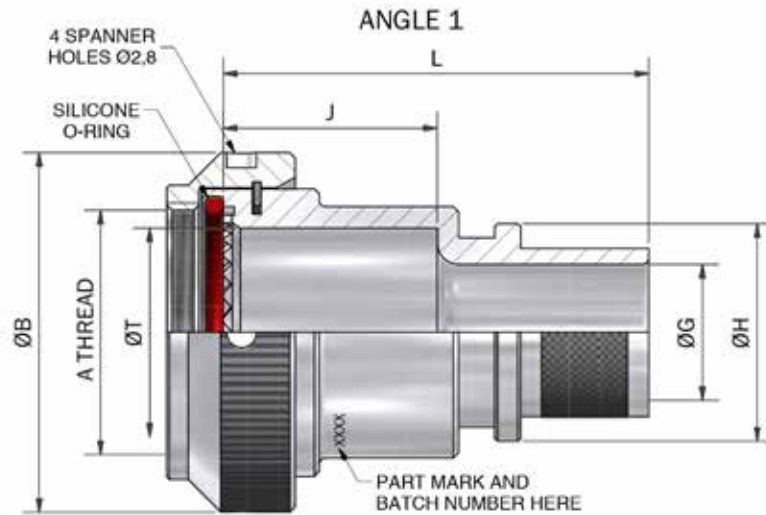
APF - Band Termination

Interface F - MIL-DTL-38999 SERIES I & II

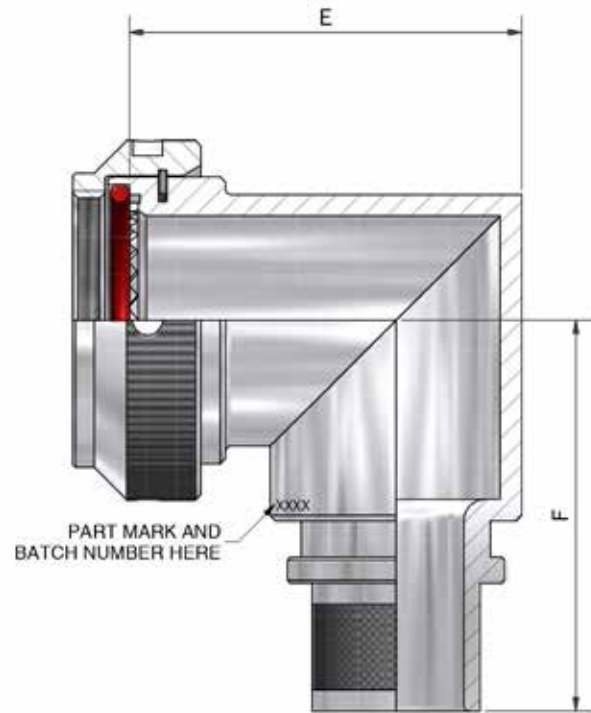


Interconnect Solutions Worldwide

BAND TERMINATION



ANGLE 2



ANGLE 3

DRAWING NOT TO SCALE, DIMENSIONS IN MM

SEE PAGES 18-26 FOR COMPLETE LIST OF AVAILABLE MATERIALS, FINISHES AND CONNECTOR INTERFACES (DIMENSIONS, FORM AND O RING SUBJECT TO CHANGE DEPENDING ON BACKSHELL MATERIAL AND CONNECTOR INTERFACE)

APF - Band Termination

Interface F - MIL-DTL-38999 SERIES I & II



Interconnect Solutions Worldwide

BAND TERMINATION

TABLE 1

DASH NO.	SHELL SIZE SERIES I	SHELL SIZE SERIES II	A THREAD	ØB MAX	C ±0.5	D MAX	E MAX	F MAX	T ±0.2		J=10	J=15	J=20	J=25	J=30	J=35	J=40	J=45	J=50
08	09	08	7/16-28 UNEF	21.1	16.4	24.7	27.7	30.4	6.8	L=	29.4	34.4	39.4	44.4	49.4	54.4	59.4	64.4	69.4
10	11	10	9/16-24 UNEF	24.3	17.2	25.9	31.2	32.2	10.3	L=	30.3	35.3	40.3	45.3	50.3	55.3	60.3	65.3	70.3
12	13	12	11/16-24 UNEF	27.3	17.6	26.3	34.2	33.7	13.6	L=	31.1	36.1	41.1	46.1	51.1	56.1	61.1	66.1	71.1
14	15	14	13/16-20 UNEF	30.6	18.5	27.2	37.2	35.2	16.3	L=	32.0	37.0	42.0	47.0	52.0	57.0	62.0	67.0	72.0
16	17	16	15/16-20 UNEF	33.6	19.2	28.0	40.7	36.9	19.5	L=	33.0	38.0	43.0	48.0	53.0	58.0	63.0	68.0	73.0
18	19	18	1 1/16-18 UNEF	36.9	19.6	28.3	44.7	38.5	21.9	L=	33.8	38.8	43.8	48.8	53.8	58.8	63.8	68.8	73.8
20	21	20	1 3/16-18 UNEF	40.1	20.4	29.1	47.2	40.1	25.2	L=	34.7	39.7	44.7	49.7	54.7	59.7	64.7	69.7	74.7
22	23	22	1 5/16-18 UNEF	43.3	20.8	29.5	50.2	41.6	28.3	L=	35.7	40.7	45.7	50.7	55.7	60.7	65.7	70.7	75.7
24	25	24	1 7/16-18 UNEF	46.5	21.7	30.4	53.2	43.1	31.5	L=	36.7	41.7	46.7	51.7	56.7	61.7	66.7	71.7	76.7

TABLE 2

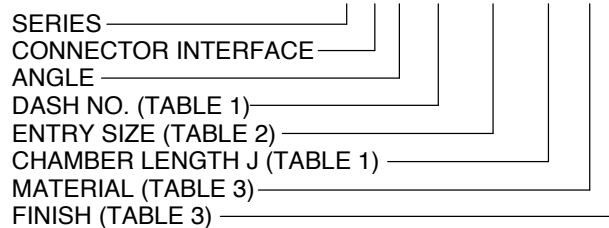
ENTRY SIZE	ØG	ØH MAX
06	4.8	12.4
08	6.4	14.0
10	7.9	15.5
12	9.5	17.1
14	11.1	18.7
16	12.7	20.3
20	15.9	23.5
24	19.0	26.7
28	22.2	29.8
32	25.4	33.0
36	28.6	36.2
40	31.8	39.4

TABLE 3

CODE	MATERIAL / PLATING
1-C	ALUMINIUM / ELECTROLESS NICKEL
1-B	ALUMINIUM / CADMIUM OLIVE DRAB OVER ELECTROLESS NICKEL
1-ZB	ALUMINIUM / ZINC COBALT OLIVE DRAB OVER ELECTROLESS NICKEL
1-ZN	ALUMINIUM / ZINC NICKEL BLACK PASSIVATE OVER ELECTROLESS NICKEL
4-J	STAINLESS STEEL / PASSIVATE
2-Z	NICKEL ALUMINIUM BRONZE / SHOT BLAST

LIST NOT EXHAUSTIVE, SEE MATERIAL AND PLATING TABLE FOR FULL LIST

APF1-16-16-25-1-C



For tooling and assembly instructions see www.polamco.com

- Backshell supplied without Band (see page 349)
- Sealing and strain relief achieved with Heat Shrink Boot (see page 354)
- Adhesive if required for assembly (see page 352)
- Screenbraid for EMC/RFI screening (see page 350)

DRAWING NOT TO SCALE, DIMENSIONS IN MM

SEE PAGES 18-26 FOR COMPLETE LIST OF AVAILABLE MATERIALS, FINISHES AND CONNECTOR INTERFACES (DIMENSIONS, FORM AND O RING SUBJECT TO CHANGE DEPENDING ON BACKSHELL MATERIAL AND CONNECTOR INTERFACE)

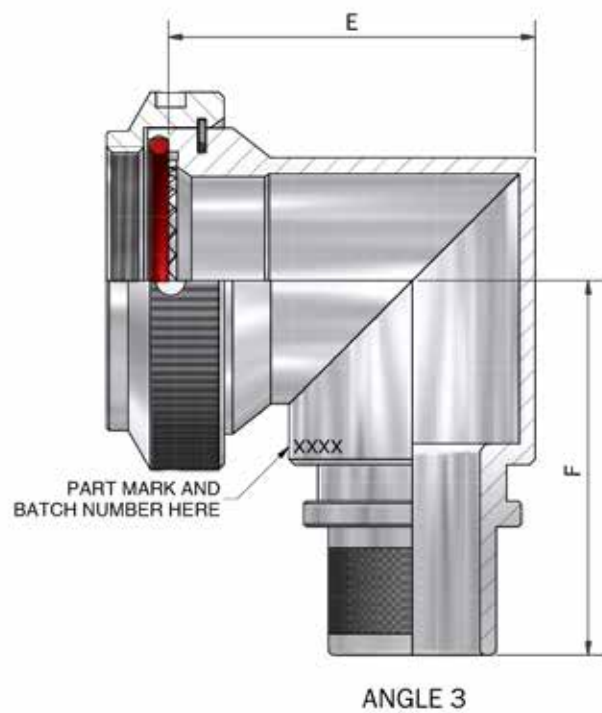
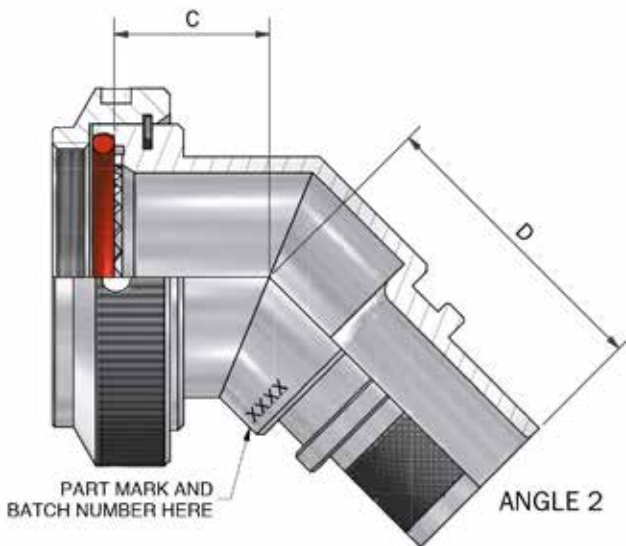
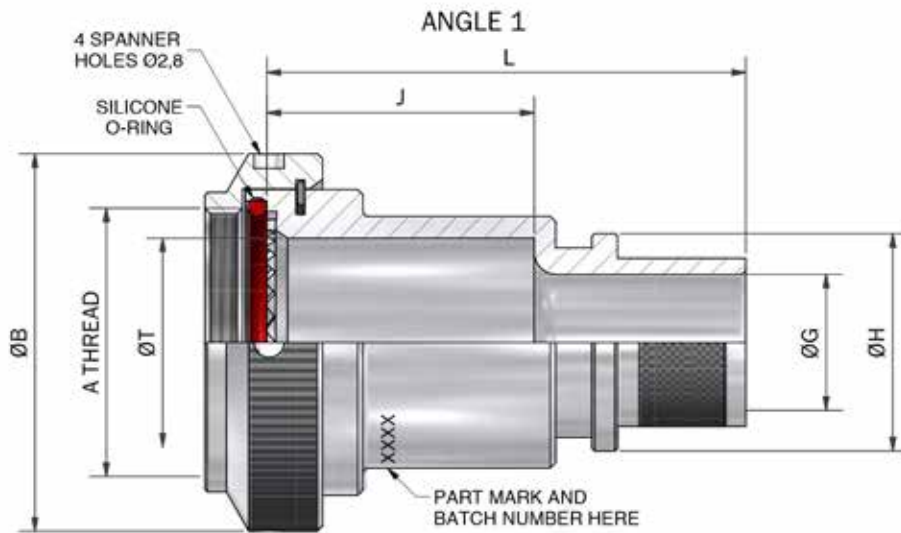
APH - Band Termination

Interface H - MIL-DTL-38999 SERIES III & IV



Interconnect Solutions Worldwide

BAND TERMINATION



DRAWING NOT TO SCALE, DIMENSIONS IN MM

SEE PAGES 18-26 FOR COMPLETE LIST OF AVAILABLE MATERIALS, FINISHES AND CONNECTOR INTERFACES (DIMENSIONS, FORM AND O RING SUBJECT TO CHANGE DEPENDING ON BACKSHELL MATERIAL AND CONNECTOR INTERFACE)

APH - Band Termination

Interface H - MIL-DTL-38999 SERIES III & IV



Interconnect Solutions Worldwide

BAND TERMINATION

TABLE 1

SHELL SIZE	A THREAD	ØB MAX	C MAX	D MAX	E MAX	F MAX	T ±0,2		J=10	J=15	J=20	J=25	J=30	J=35	J=40	J=45	J=50
09	M12 x 1.0	20,8	13,1	24,7	27,7	30,4	6,8	L=	29,4	34,4	39,4	44,4	49,4	54,4	59,4	64,4	69,4
11	M15 x 1.0	23,8	13,9	25,9	31,2	32,2	10,3	L=	30,3	35,3	40,3	45,3	50,3	55,3	60,3	65,3	70,3
13	M18 x 1.0	27,3	14,5	26,3	34,2	33,7	13,6	L=	31,1	36,1	41,1	46,1	51,1	56,1	61,1	66,1	71,1
15	M22 x 1.0	31,8	15,5	27,2	37,2	35,2	16,3	L=	32,0	37,0	42,0	47,0	52,0	57,0	62,0	67,0	72,0
17	M25 x 1.0	35,3	16,1	28,0	40,7	36,9	19,5	L=	33,0	38,0	43,0	48,0	53,0	58,0	63,0	68,0	73,0
19	M28 x 1.0	38,3	16,8	28,3	44,7	38,5	21,9	L=	33,8	38,8	43,8	48,8	53,8	58,8	63,8	68,8	73,8
21	M31 x 1.0	39,8	17,1	29,1	47,2	40,1	25,2	L=	34,7	39,7	44,7	49,7	54,7	59,7	64,7	69,7	74,7
23	M34 x 1.0	42,8	17,7	29,5	50,2	41,6	28,3	L=	35,7	40,7	45,7	50,7	55,7	60,7	65,7	70,7	75,7
25	M37 x 1.0	46,3	18,4	30,4	53,2	43,1	31,5	L=	36,7	41,7	46,7	51,7	56,7	61,7	66,7	71,7	76,7

TABLE 2

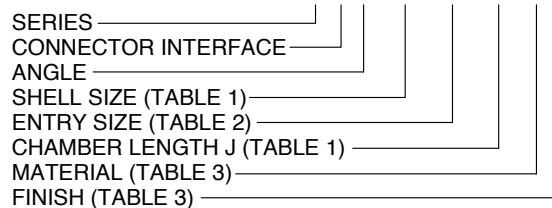
ENTRY SIZE	ØG	ØH MAX
06	4,8	12,4
08	6,4	14,0
10	7,9	15,5
12	9,5	17,1
14	11,1	18,7
16	12,7	20,3
20	15,9	23,5
24	19,0	26,7
28	22,2	29,8
32	25,4	33,0
36	28,6	36,2
40	31,8	39,4

TABLE 3

CODE	MATERIAL / PLATING
1-C	ALUMINIUM / ELECTROLESS NICKEL
1-B	ALUMINIUM / CADMIUM OLIVE DRAB OVER ELECTROLESS NICKEL
1-ZB	ALUMINIUM / ZINC COBALT OLIVE DRAB OVER ELECTROLESS NICKEL
1-ZN	ALUMINIUM / ZINC NICKEL BLACK PASSIVATE OVER ELECTROLESS NICKEL
4-J	STAINLESS STEEL / PASSIVATE
2-Z	NICKEL ALUMINIUM BRONZE / SHOT BLAST

LIST NOT EXHAUSTIVE, SEE MATERIAL AND PLATING TABLE FOR FULL LIST

APH1-17-16-25-1-C



For tooling and assembly instructions see www.polamco.com

- Backshell supplied without Band (see page 349)
- Sealing and strain relief achieved with Heat Shrink Boot (see page 354)
- Adhesive if required for assembly (see page 352)
- Screenbraid for EMC/RFI screening (see page 350)

DRAWING NOT TO SCALE, DIMENSIONS IN MM

SEE PAGES 18-26 FOR COMPLETE LIST OF AVAILABLE MATERIALS, FINISHES AND CONNECTOR INTERFACES (DIMENSIONS, FORM AND O RING SUBJECT TO CHANGE DEPENDING ON BACKSHELL MATERIAL AND CONNECTOR INTERFACE)

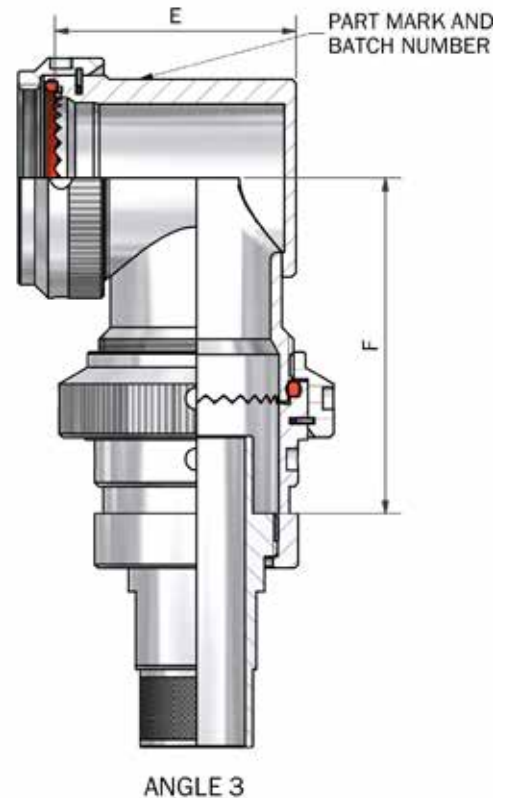
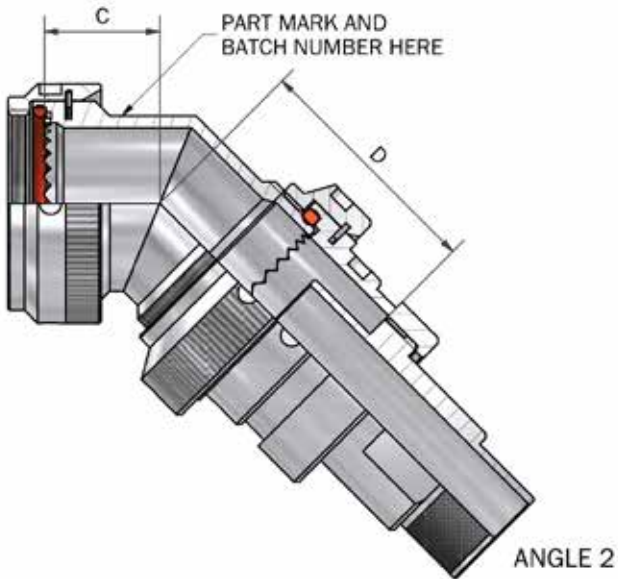
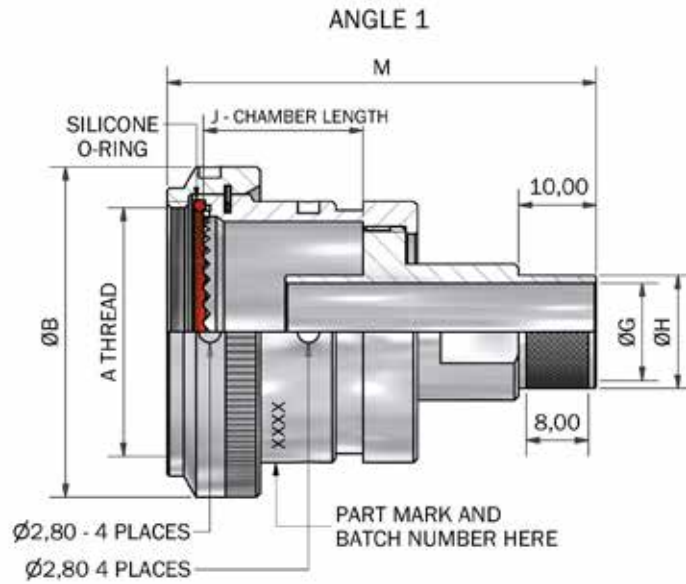
DS - Internal & External Band Termination

Interface F - MIL-DTL-38999 SERIES I



Interconnect Solutions Worldwide

BAND TERMINATION



DRAWING NOT TO SCALE, DIMENSIONS IN MM

SEE PAGES 18-26 FOR COMPLETE LIST OF AVAILABLE MATERIALS, FINISHES AND CONNECTOR INTERFACES (DIMENSIONS, FORM AND O RING SUBJECT TO CHANGE DEPENDING ON BACKSHELL MATERIAL AND CONNECTOR INTERFACE)

DS - Internal & External Band Termination

Interface F - MIL-DTL-38999 SERIES I



Interconnect Solutions Worldwide

BAND TERMINATION

TABLE 1

SHELL SIZE	A THREAD	ØB MAX	C MAX	D ±0,5	E MAX	F ±0,5	MAX ENTRY
13	11/16 -24UNEF	27,3	13,6	30,5	27,0	37,6	05
15	13/16 -20UNEF	30,6	14,0	31,0	28,0	41,6	07
17	15/16 -20UNEF	35,3	15,0	32,0	31,0	43,1	10
19	1 1/16 -18UNEF	38,3	16,0	33,0	36,0	44,6	12
21	1 3/16 -18UNEF	40,1	16,6	33,5	39,0	46,1	13
23	1 5/16 -18UNEF	46,5	17,0	34,0	41,0	47,6	15
25	1 7/16 -18UNEF	47,2	17,4	34,5	47,0	49,1	16

TABLE 2

ENTRY SIZE	ØG MIN	ØH MIN
03	4,0	6,0
04	5,5	7,5
05	7,5	9,5
06	9,5	11,5
07	10,5	12,5
08	12,5	14,5
09	14,0	16,0
10	15,5	17,5
11	17,0	19,0
12	18,5	20,5
13	20,0	22,0
14	21,5	23,5
15	23,0	25,0
16	25,0	27,0

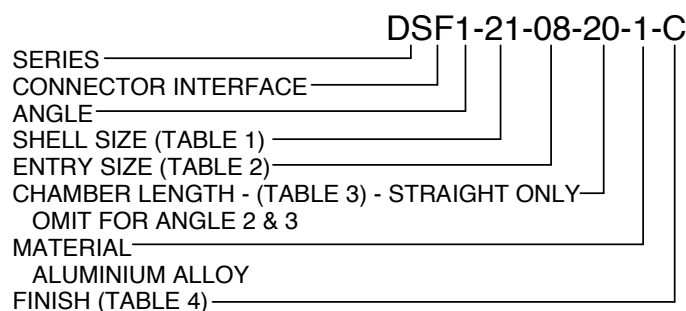
TABLE 3

J	M MAX
20	60,0
25	65,0
30	70,0
35	75,0
40	80,0
45	85,0
50	90,0

TABLE 4

CODE	FINISH
C	ELECTROLESS NICKEL
B	CADMIUM OLIVE DRAB OVER ELECTROLESS NICKEL
ZB	ZINC COBALT OLIVE DRAB OVER ELECTROLESS NICKEL
ZN	ZINC NICKEL BLACK PASSIVATE OVER ELECTROLESS NICKEL

LIST NOT EXHAUSTIVE, SEE PLATING TABLE FOR OTHER OPTIONS



For tooling and assembly instructions see www.polamco.com

- Backshell supplied without Band (see page 349)
- Sealing and strain relief achieved with Heat Shrink Boot (see page 354)
- Adhesive if required for assembly (see page 352)
- Screenbraid for EMC/RFI screening (see page 350)

DRAWING NOT TO SCALE, DIMENSIONS IN MM

SEE PAGES 18-26 FOR COMPLETE LIST OF AVAILABLE MATERIALS, FINISHES AND CONNECTOR INTERFACES (DIMENSIONS, FORM AND O RING SUBJECT TO CHANGE DEPENDING ON BACKSHELL MATERIAL AND CONNECTOR INTERFACE)

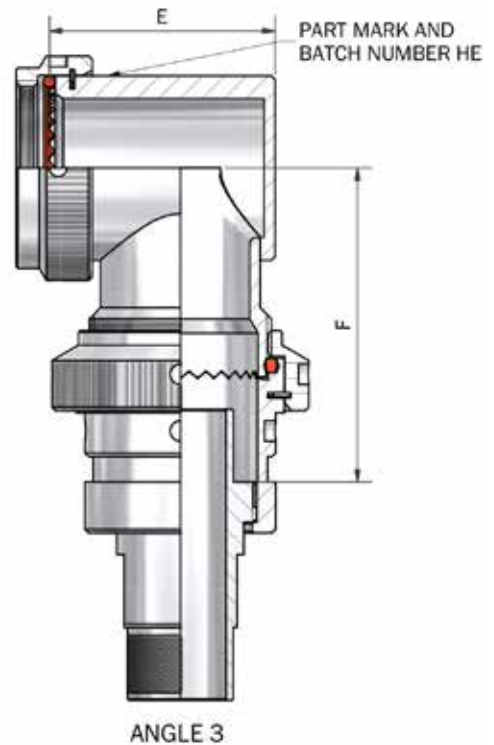
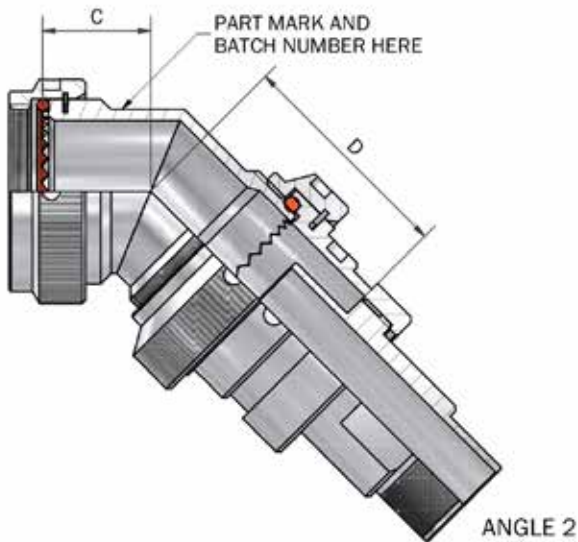
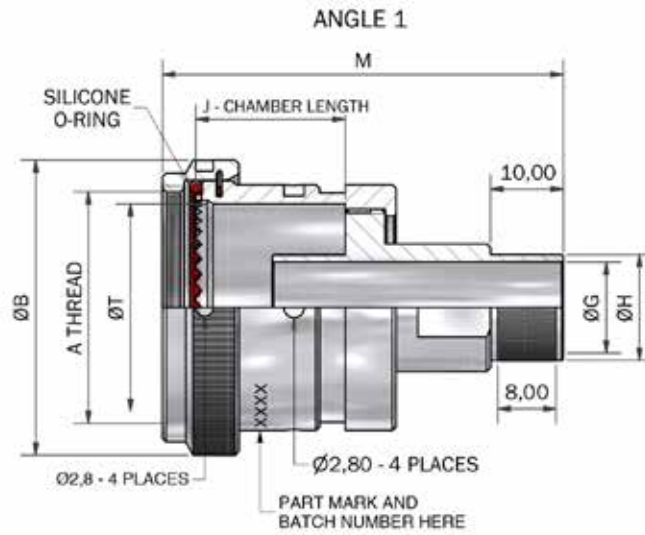
DS - Internal & External Band Termination

Interface F - MIL-DTL-38999 SERIES II



Interconnect Solutions Worldwide

BAND TERMINATION



DRAWING NOT TO SCALE, DIMENSIONS IN MM

SEE PAGES 18-26 FOR COMPLETE LIST OF AVAILABLE MATERIALS, FINISHES AND CONNECTOR INTERFACES (DIMENSIONS, FORM AND O RING SUBJECT TO CHANGE DEPENDING ON BACKSHELL MATERIAL AND CONNECTOR INTERFACE)

DS - Internal & External Band Termination

Interface F - MIL-DTL-38999 SERIES II



Interconnect Solutions Worldwide

BAND TERMINATION

TABLE 1

SHELL SIZE	A THREAD	ØB MAX	ØT MIN	C MAX	D ±0,5	E MAX	F ±0,5	MAX ENTRY
12	11/16 -24UNEF	24,5	12,9	13,6	30,5	27,0	37,6	05
14	13/16 -20UNEF	27,8	16,1	14,0	31,0	28,0	41,6	07
16	15/16 -20UNEF	30,8	19,3	15,0	32,0	31,0	43,1	10
18	1 1/16 -18UNEF	34,1	21,7	16,0	33,0	36,0	44,6	12
20	1 3/16 -18UNEF	37,3	24,9	16,6	33,5	39,0	46,1	13
22	1 5/16 -18UNEF	40,5	28,1	17,0	34,0	41,0	47,6	15
24	1 7/16 -18UNEF	43,7	31,3	17,4	34,5	47,0	49,1	16

TABLE 2

ENTRY SIZE	ØG MIN	ØH MIN
03	4,0	6,0
04	5,5	7,5
05	7,5	9,5
06	9,5	11,5
07	10,5	12,5
08	12,5	14,5
09	14,0	16,0
10	15,5	17,5
11	17,0	19,0
12	18,5	20,5
13	20,0	22,0
14	21,5	23,5
15	23,0	25,0
16	25,0	27,0

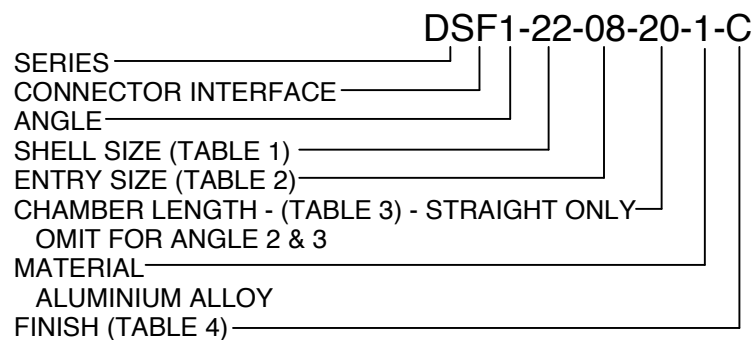
TABLE 3

J	M MAX
20	60,0
25	65,0
30	70,0
35	75,0
40	80,0
45	85,0
50	90,0

TABLE 4

CODE	FINISH
C	ELECTROLESS NICKEL
B	CADMIUM OLIVE DRAB OVER ELECTROLESS NICKEL
ZB	ZINC COBALT OLIVE DRAB OVER ELECTROLESS NICKEL
ZN	ZINC NICKEL BLACK PASSIVATE OVER ELECTROLESS NICKEL

LIST NOT EXHAUSTIVE, SEE PLATING TABLE FOR OTHER OPTIONS



For tooling and assembly instructions see www.polamco.com

- Backshell supplied without Band (see page 349)
- Sealing and strain relief achieved with Heat Shrink Boot (see page 354)
- Adhesive if required for assembly (see page 352)
- Screenbraid for EMC/RFI screening (see page 350)

DRAWING NOT TO SCALE, DIMENSIONS IN MM

SEE PAGES 18-26 FOR COMPLETE LIST OF AVAILABLE MATERIALS, FINISHES AND CONNECTOR INTERFACES (DIMENSIONS, FORM AND O RING SUBJECT TO CHANGE DEPENDING ON BACKSHELL MATERIAL AND CONNECTOR INTERFACE)

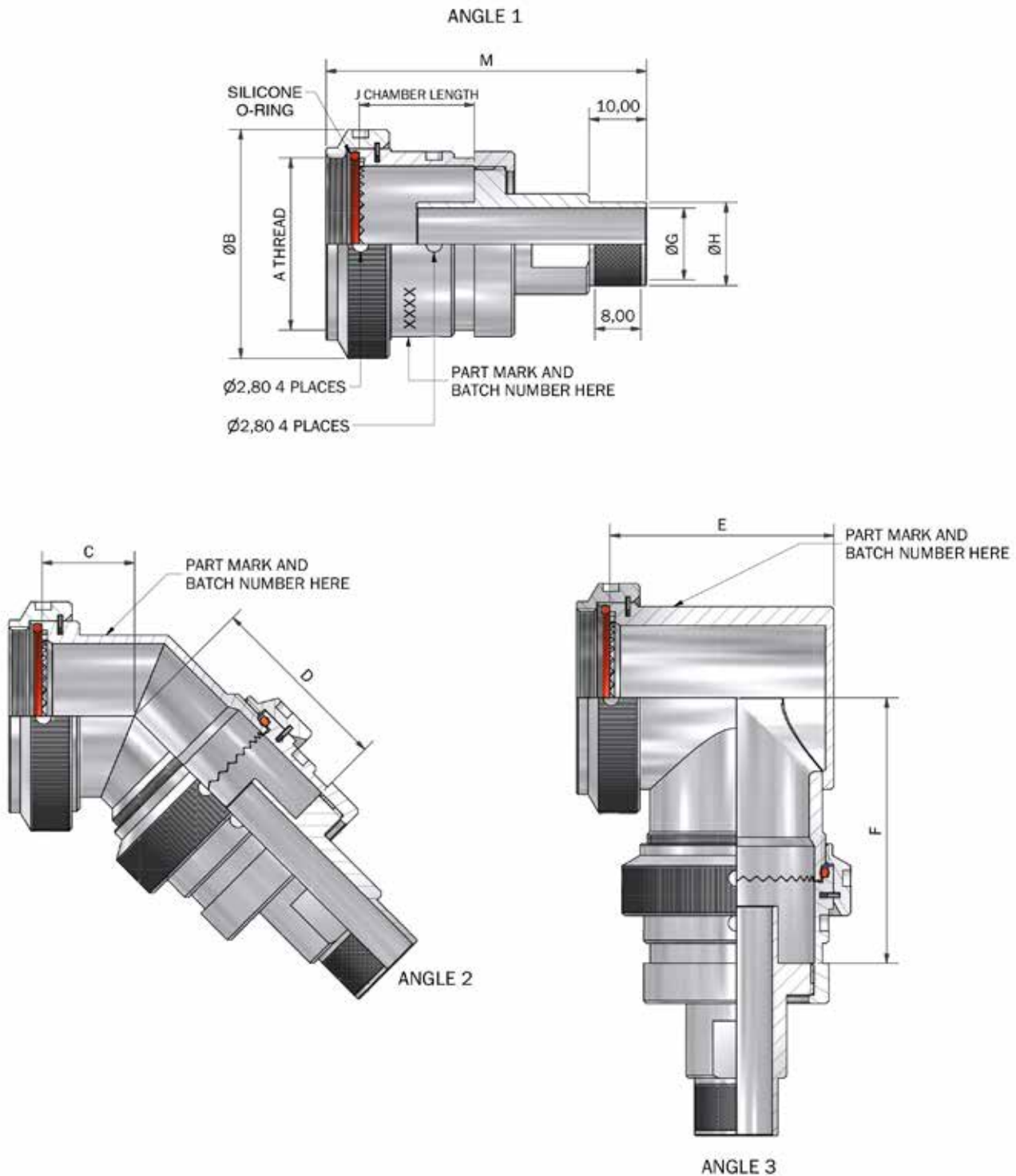
DS - Internal & External Band Termination

Interface H - MIL-DTL-38999 SERIES III & IV



Interconnect Solutions Worldwide

BAND TERMINATION



DRAWING NOT TO SCALE, DIMENSIONS IN MM

SEE PAGES 18-26 FOR COMPLETE LIST OF AVAILABLE MATERIALS, FINISHES AND CONNECTOR INTERFACES (DIMENSIONS, FORM AND O RING SUBJECT TO CHANGE DEPENDING ON BACKSHELL MATERIAL AND CONNECTOR INTERFACE)

DS - Internal & External Band Termination

Interface H - MIL-DTL-38999 SERIES III & IV



Interconnect Solutions Worldwide

BAND TERMINATION

TABLE 1

SHELL SIZE	A THREAD	ØB MAX	C MAX	D ±0,5	E MAX	F ±0,5	MAX ENTRY
13	M18 x 1.0	27,4	13,6	30,5	27,0	37,6	05
15	M22 x 1.0	31,8	14,0	31,0	28,0	41,6	07
17	M25 x 1.0	35,0	15,0	32,0	31,0	43,1	10
19	M28 x 1.0	38,1	16,0	33,0	36,0	44,6	12
21	M31 x 1.0	41,2	16,6	33,5	39,0	46,1	13
23	M34 x 1.0	44,3	17,0	34,0	41,0	47,6	15
25	M37 x 1.0	47,2	17,5	34,5	47,0	49,1	16

TABLE 2

ENTRY SIZE	ØG	H ±0,2
03	4,0	6,0
04	5,5	7,5
05	7,5	9,5
06	9,5	11,5
07	10,5	12,5
08	12,5	14,5
09	14,0	16,0
10	15,5	17,5
11	17,0	19,0
12	18,5	20,5
13	20,0	22,0
14	21,5	23,5
15	23,0	25,0
16	25,0	27,0

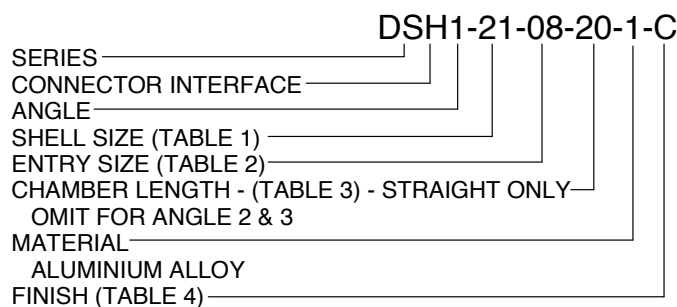
TABLE 3

J CHAMBER	M MAX
20	60,0
25	65,0
30	70,0
35	75,0
40	80,0
45	85,0
50	90,0

TABLE 4

CODE	FINISH
C	ELECTROLESS NICKEL
B	CADMIUM OLIVE DRAB OVER ELECTROLESS NICKEL
ZB	ZINC COBALT OLIVE DRAB OVER ELECTROLESS NICKEL
ZN	ZINC NICKEL BLACK PASSIVATE OVER ELECTROLESS NICKEL

LIST NOT EXHAUSTIVE, SEE PLATING TABLE FOR OTHER OPTIONS



For tooling and assembly instructions see www.polamco.com

- Backshell supplied without Band (see page 349)
- Sealing and strain relief achieved with Heat Shrink Boot (see page 354)
- Adhesive if required for assembly (see page 352)
- Screenbraid for EMC/RFI screening (see page 350)

DRAWING NOT TO SCALE, DIMENSIONS IN MM

SEE PAGES 18-26 FOR COMPLETE LIST OF AVAILABLE MATERIALS, FINISHES AND CONNECTOR INTERFACES (DIMENSIONS, FORM AND O RING SUBJECT TO CHANGE DEPENDING ON BACKSHELL MATERIAL AND CONNECTOR INTERFACE)

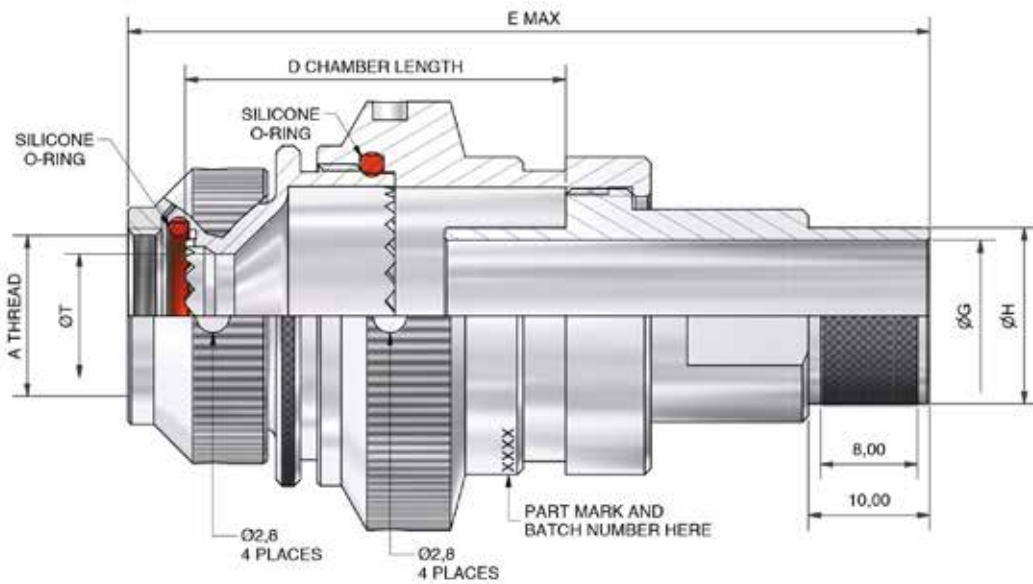
DS (T3) - Internal & External Band Termination Style 2

Interface F - MIL-DTL-38999 SERIES I



Interconnect Solutions Worldwide

BAND TERMINATION



DSF1-11T308-30-1-C

SERIES _____
 CONNECTOR INTERFACE _____
 ANGLE _____
 SHELL SIZE (TABLE 1) _____
 STYLE II ASSEMBLY WITH _____
 DIRECT-COUPLING SECONDARY ADAPTOR _____
 ENTRY SIZE (TABLE 2) _____
 CHAMBER LENGTH IN MM (TABLE 3) _____
 MATERIAL (TABLE 4) _____
 FINISH (TABLE 4) _____

DRAWING NOT TO SCALE, DIMENSIONS IN MM

SEE PAGES 18-26 FOR COMPLETE LIST OF AVAILABLE MATERIALS, FINISHES AND CONNECTOR INTERFACES
 (DIMENSIONS, FORM AND O RING SUBJECT TO CHANGE DEPENDING ON BACKSHELL MATERIAL AND CONNECTOR INTERFACE)

DS (T3) - Internal & External Band Termination Style 2

Interface F - MIL-DTL-38999 SERIES I



Interconnect Solutions Worldwide

BAND TERMINATION

TABLE 1

SHELL SIZE	A THREAD	ØT	MIN ENTRY
09	7/16 -28UNEF	6,8	-
11	9/16 -24UNEF	10,2	-
13	11/16 -24UNEF	13,1	06
15	13/16 -20UNEF	16,2	08
17	15/16 -20UNEF	19,3	11
19	1 1/16 -18UNEF	22,3	13
21	1 3/16 -18UNEF	25,8	14
23	1 5/16 -18UNEF	28,3	16
25	1 7/16 -18UNEF	31,5	17

FOR ENTRY SIZE BELOW MINIMUM ENTRY SIZE (TABLE 1)
SEE STANDARD VERSION (NOT STYLE II)

TABLE 2

ENTRY SIZE	ØG MIN	ØH MIN
03	4,0	6,0
04	5,5	7,5
05	7,5	9,5
06	9,5	11,5
07	10,5	12,5
08	12,5	14,5
09	14,0	16,0
10	15,5	17,5
11	17,0	19,0
12	18,5	20,5
13	20,0	22,0
14	21,5	23,5
15	23,0	25,0
16	25,0	27,0
17	28,0	30,0

TABLE 3

CHAMBER D	E MAX
30	70,0
35	75,0
40	80,0
45	85,0
50	90,0

TABLE 4

CODE	MATERIAL / PLATING
1-C	ALUMINIUM / ELECTROLESS NICKEL
1-B	ALUMINIUM / CADMIUM OLIVE DRAB OVER ELECTROLESS NICKEL
1-ZB	ALUMINIUM / ZINC COBALT OLIVE DRAB OVER ELECTROLESS NICKEL
1-ZN	ALUMINIUM / ZINC NICKEL BLACK PASSIVATE OVER ELECTROLESS NICKEL
4-J	STAINLESS STEEL / PASSIVATE
2-Z	NICKEL ALUMINIUM BRONZE / SHOT BLAST

LIST NOT EXHAUSTIVE, SEE PLATING TABLE FOR OTHER OPTIONS

For tooling and assembly instructions see www.polamco.com

- Backshell supplied without Band (see page 349)
- Sealing and strain relief achieved with Heat Shrink Boot (see page 354)
- Adhesive if required for assembly (see page 352)
- Screenbraid for EMC/RFI screening (see page 350)

DRAWING NOT TO SCALE, DIMENSIONS IN MM

SEE PAGES 18-26 FOR COMPLETE LIST OF AVAILABLE MATERIALS, FINISHES AND CONNECTOR INTERFACES
(DIMENSIONS, FORM AND O RING SUBJECT TO CHANGE DEPENDING ON BACKSHELL MATERIAL AND CONNECTOR INTERFACE)

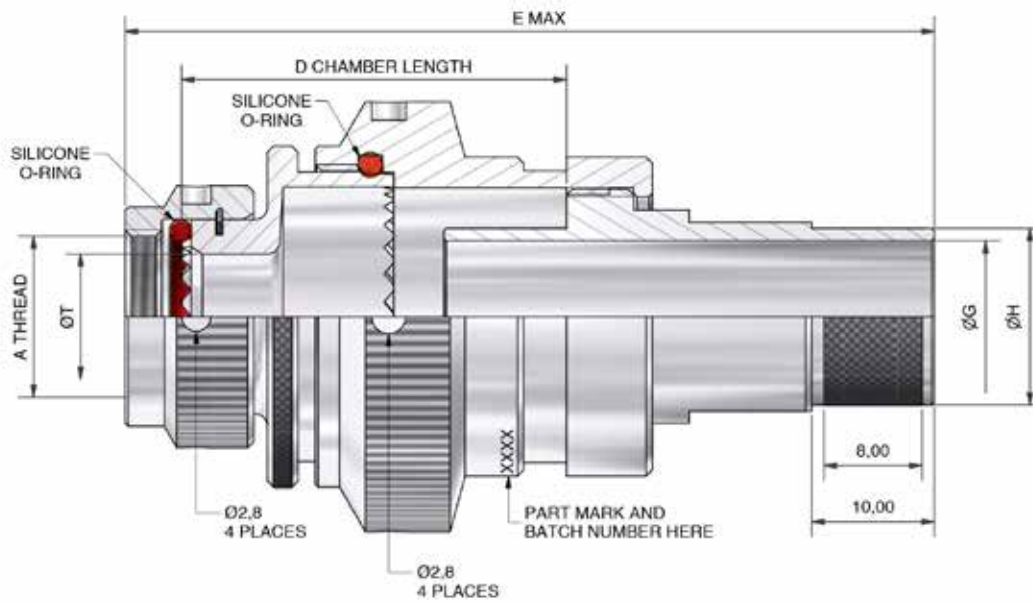
DS (T3) - Internal & External Band Termination Style 2

Interface F - MIL-DTL-38999 SERIES II

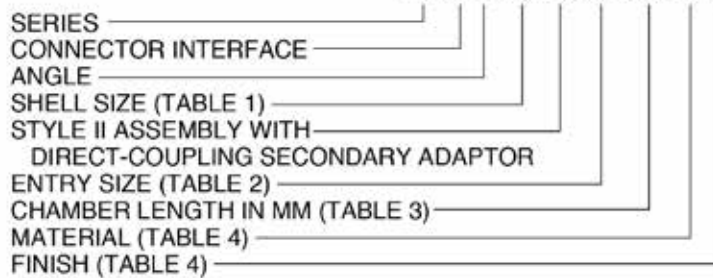


Interconnect Solutions Worldwide

BAND TERMINATION



DSF1-10T308-30-1-C



DRAWING NOT TO SCALE, DIMENSIONS IN MM

SEE PAGES 18-26 FOR COMPLETE LIST OF AVAILABLE MATERIALS, FINISHES AND CONNECTOR INTERFACES
(DIMENSIONS, FORM AND O RING SUBJECT TO CHANGE DEPENDING ON BACKSHELL MATERIAL AND CONNECTOR INTERFACE)

DS (T3) - Internal & External Band Termination Style 2

Interface F - MIL-DTL-38999 SERIES II



Interconnect Solutions Worldwide

BAND TERMINATION

TABLE 1

SHELL SIZE	A THREAD	ØT	MIN ENTRY
08	7/16 -28UNEF	6,6	-
10	9/16 -24UNEF	10,1	-
12	11/16 -24UNEF	12,9	06
14	13/16 -20UNEF	16,1	08
16	15/16 -20UNEF	19,3	11
18	1 1/16 -18UNEF	21,7	13
20	1 3/16 -18UNEF	24,9	14
22	1 5/16 -18UNEF	28,1	16
24	1 7/16 -18UNEF	31,3	17

FOR ENTRY SIZE BELOW MINIMUM ENTRY SIZE (TABLE 1)
SEE STANDARD VERSION (NOT STYLE II)

TABLE 2

ENTRY SIZE	ØG MIN	ØH MIN
03	4,0	6,0
04	5,5	7,5
05	7,5	9,5
06	9,5	11,5
07	10,5	12,5
08	12,5	14,5
09	14,0	16,0
10	15,5	17,5
11	17,0	19,0
12	18,5	20,5
13	20,0	22,0
14	21,5	23,5
15	23,0	25,0
16	25,0	27,0
17	28,0	30,0

TABLE 3

CHAMBER D	E MAX
30	70,0
35	75,0
40	80,0
45	85,0
50	90,0

TABLE 4

CODE	MATERIAL / PLATING
1-C	ALUMINIUM / ELECTROLESS NICKEL
1-B	ALUMINIUM / CADMIUM OLIVE DRAB OVER ELECTROLESS NICKEL
1-ZB	ALUMINIUM / ZINC COBALT OLIVE DRAB OVER ELECTROLESS NICKEL
1-ZN	ALUMINIUM / ZINC NICKEL BLACK PASSIVATE OVER ELECTROLESS NICKEL
4-J	STAINLESS STEEL / PASSIVATE
2-Z	NICKEL ALUMINIUM BRONZE / SHOT BLAST

LIST NOT EXHAUSTIVE, SEE PLATING TABLE FOR OTHER OPTIONS

For tooling and assembly instructions see www.polamco.com

- Backshell supplied without Band (see page 349)
- Sealing and strain relief achieved with Heat Shrink Boot (see page 354)
- Adhesive if required for assembly (see page 352)
- Screenbraid for EMC/RFI screening (see page 350)

DRAWING NOT TO SCALE, DIMENSIONS IN MM

SEE PAGES 18-26 FOR COMPLETE LIST OF AVAILABLE MATERIALS, FINISHES AND CONNECTOR INTERFACES
(DIMENSIONS, FORM AND O RING SUBJECT TO CHANGE DEPENDING ON BACKSHELL MATERIAL AND CONNECTOR INTERFACE)

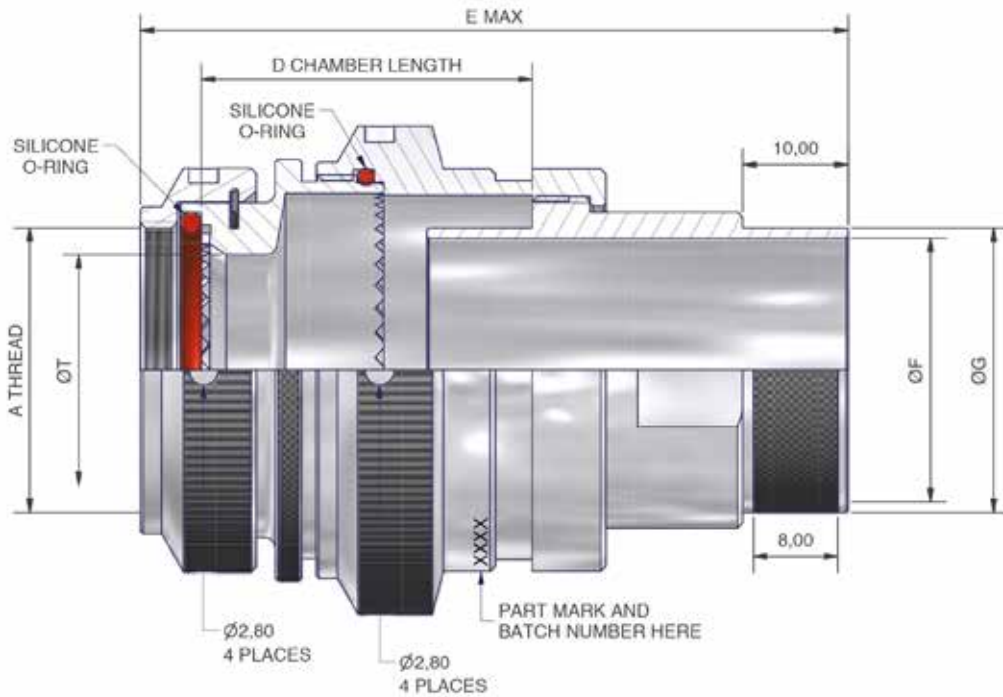
DS (T3) - Internal & External Band Termination Style 2

Interface H - MIL-DTL-38999 SERIES III & IV



Interconnect Solutions Worldwide

BAND TERMINATION



DSH1-11T308-30-1-C

- SERIES _____
- CONNECTOR INTERFACE _____
- ANGLE _____
- SHELL SIZE (TABLE 1) _____
- STYLE II ASSEMBLY WITH _____
- DIRECT-COUPLING SECONDARY ADAPTOR _____
- ENTRY SIZE (TABLE 2) _____
- CHAMBER LENGTH IN MM (TABLE 3) _____
- MATERIAL (TABLE 4) _____
- FINISH (TABLE 4) _____

SEE PAGES 18-26 FOR COMPLETE LIST OF AVAILABLE MATERIALS, FINISHES AND CONNECTOR INTERFACES
(DIMENSIONS, FORM AND O RING SUBJECT TO CHANGE DEPENDING ON BACKSHELL MATERIAL AND CONNECTOR INTERFACE)

DS (T3) - Internal & External Band Termination Style 2

Interface H - MIL-DTL-38999 SERIES III & IV



Interconnect Solutions Worldwide

BAND TERMINATION

TABLE 1

SHELL SIZE	A THREAD	ØT	MAX ENTRY
09	M12 x 1.0	6,7	-
11	M15 x 1.0	10,2	-
13	M18 x 1.0	13,5	06
15	M22 x 1.0	16,2	09
17	M25 x 1.0	19,4	11
19	M28 x 1.0	21,8	13
21	M31 x 1.0	25,1	14
23	M34 x 1.0	28,2	16
25	M37 x 1.0	31,4	17

FOR ENTRY SIZE BELOW MINIMUM ENTRY SIZE (TABLE 1)
SEE STANDARD VERSION (NOT STYLE II)

TABLE 2

ENTRY SIZE	ØF MIN	ØG MIN
03	4,0	6,0
04	5,5	7,5
05	7,5	9,5
06	9,5	11,5
07	10,5	12,5
08	12,5	14,5
09	14,0	16,0
10	15,5	17,5
11	17,0	19,0
12	18,5	20,5
13	20,0	22,0
14	21,5	23,5
15	23,0	25,0
16	25,0	27,0
17	28,0	30,0

TABLE 3

CHAMBER D	E MAX
30	70,0
35	75,0
40	80,0
45	85,0
50	90,0

TABLE 4

CODE	MATERIAL / PLATING
1-C	ALUMINIUM / ELECTROLESS NICKEL
1-B	ALUMINIUM / CADMIUM OLIVE DRAB OVER ELECTROLESS NICKEL
1-ZB	ALUMINIUM / ZINC COBALT OLIVE DRAB OVER ELECTROLESS NICKEL
1-ZN	ALUMINIUM / ZINC NICKEL BLACK PASSIVATE OVER ELECTROLESS NICKEL
4-J	STAINLESS STEEL / PASSIVATE
2-Z	NICKEL ALUMINIUM BRONZE / SHOT BLAST

LIST NOT EXHAUSTIVE, SEE PLATING TABLE FOR OTHER OPTIONS

For tooling and assembly instructions see www.polamco.com

- Backshell supplied without Band (see page 349)
- Sealing and strain relief achieved with Heat Shrink Boot (see page 354)
- Adhesive if required for assembly (see page 352)
- Screenbraid for EMC/RFI screening (see page 350)

DRAWING NOT TO SCALE, DIMENSIONS IN MM

SEE PAGES 18-26 FOR COMPLETE LIST OF AVAILABLE MATERIALS, FINISHES AND CONNECTOR INTERFACES
(DIMENSIONS, FORM AND O RING SUBJECT TO CHANGE DEPENDING ON BACKSHELL MATERIAL AND CONNECTOR INTERFACE)

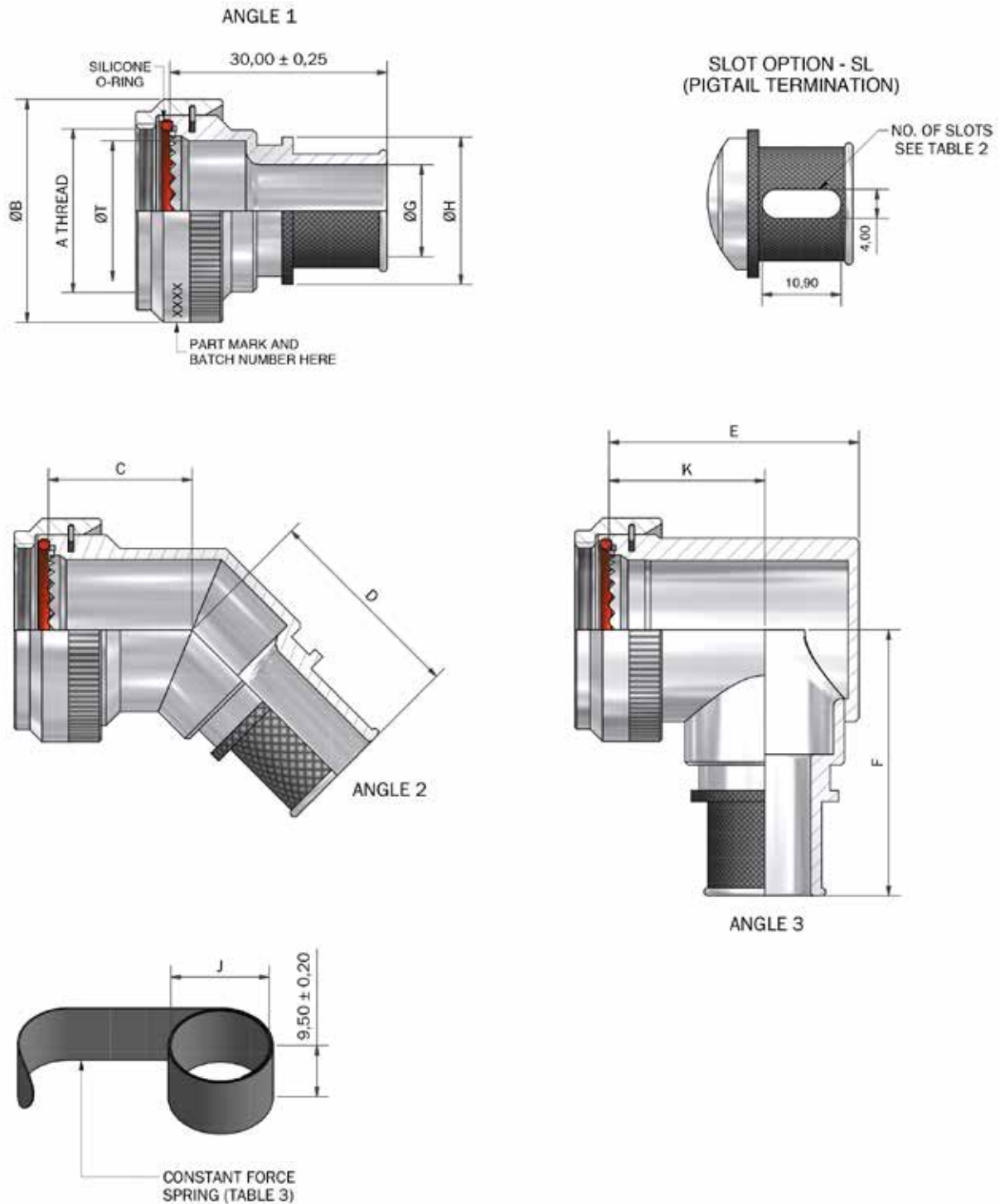
91F - Spring Termination

Interface F - MIL-DTL-38999 SERIES I



Interconnect Solutions Worldwide

SPRING TERMINATION



DRAWING NOT TO SCALE, DIMENSIONS IN MM

SEE PAGES 18-26 FOR COMPLETE LIST OF AVAILABLE MATERIALS, FINISHES AND CONNECTOR INTERFACES (DIMENSIONS, FORM AND O RING SUBJECT TO CHANGE DEPENDING ON BACKSHELL MATERIAL AND CONNECTOR INTERFACE)

91F - Spring Termination

Interface F - MIL-DTL-38999 SERIES I



Interconnect Solutions Worldwide

SPRING TERMINATION

TABLE 1

SHELL SIZE	A THREAD	ØB MAX	ØT MIN	C ±0,5	D MAX	E MAX	F MAX	K ±0,5
09	7/16-28 UNEF	18,0	6,8	16,4	25,7	22,7	30,5	15,0
11	9/16-24 UNEF	21,0	10,2	17,2	26,9	26,2	32,2	17,0
13	11/16-24 UNEF	24,5	13,1	17,6	27,3	29,2	33,7	18,0
15	13/16-20 UNEF	27,8	16,2	18,5	28,2	32,2	35,2	20,0
17	15/16-20 UNEF	30,8	19,3	19,2	29,0	35,7	36,9	21,5
19	1 1/16-18 UNEF	34,1	22,3	19,6	29,3	39,7	38,5	23,0
21	1 3/16-18 UNEF	37,3	25,8	20,4	30,1	42,2	41,1	25,0
23	1 5/16-18 UNEF	41,0	28,3	20,8	30,5	45,2	41,6	26,0
25	1 7/16-18 UNEF	43,7	31,5	21,7	31,4	48,2	43,1	28,0

TABLE 2

ENTRY SIZE	ØG MIN	ØH MAX	SPRING REF	NO. OF SLOTS *
03	4,7	13,9	HE050	1
04	6,3	13,9	HE050	1
05	7,9	15,5	HE100	1
06	9,5	17,2	HE100	2
07	11,1	18,7	HE100	2
08	12,7	20,3	HE200	2
09	14,2	21,9	HE200	2
10	15,8	23,5	HE200	2
11	17,4	25,1	HE200	2
12	19,0	26,7	HE300	2
13	20,6	28,3	HE300	2
14	22,2	29,9	HE300	4
15	23,8	31,5	HE300	4
16	25,4	33,1	HE300	4
17	27,0	34,7	HE400	4
18	28,6	36,3	HE400	4
19	30,2	37,9	HE400	4
20	31,8	39,5	HE400	4
21	33,3	41,1	HE400	4
22	35,0	42,7	HE400	4
23	36,5	44,3	HE400	4
24	38,1	45,9	HE400	4

TABLE 3

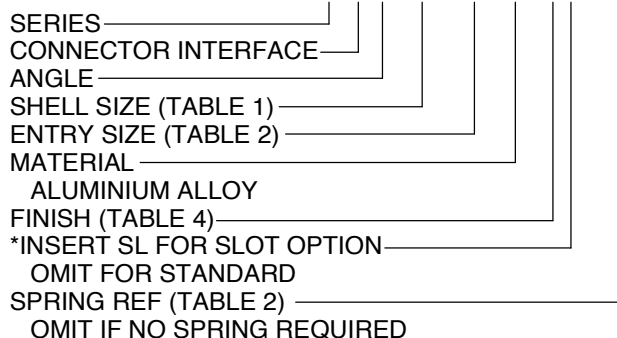
SPRING REF	J MAX (UNCONSTRAINED)
HE 050	7,5
HE 100	8,0
HE 200	12,8
HE 300	17,9
HE 400	21,8

TABLE 4

CODE	FINISH
C	ELECTROLESS NICKEL
B	CADMIUM OLIVE DRAB OVER ELECTROLESS NICKEL
ZB	ZINC COBALT OLIVE DRAB OVER ELECTROLESS NICKEL
ZN	ZINC NICKEL BLACK PASSIVATE OVER ELECTROLESS NICKEL

LIST NOT EXHAUSTIVE, SEE PLATING TABLE FOR OTHER OPTIONS

91F1-17-08-1-C-HE200



For tooling and assembly instructions see www.polamco.com

- Backshell supplied with Spring if specified in the part number
- Sealing and strain relief achieved with Heat Shrink Boot (see page 354)
- Adhesive if required for assembly (see page 352)
- Screenbraid for EMC/RFI screening (see page 350)

DRAWING NOT TO SCALE, DIMENSIONS IN MM

SEE PAGES 18-26 FOR COMPLETE LIST OF AVAILABLE MATERIALS, FINISHES AND CONNECTOR INTERFACES (DIMENSIONS, FORM AND O RING SUBJECT TO CHANGE DEPENDING ON BACKSHELL MATERIAL AND CONNECTOR INTERFACE)

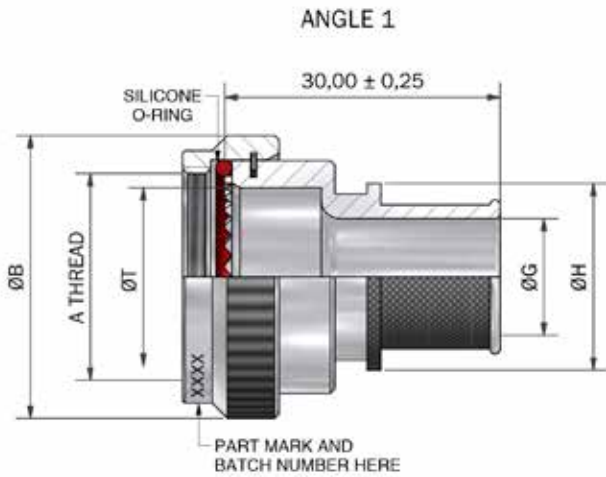
91F - Spring Termination

Interface F - MIL-DTL-38999 SERIES II

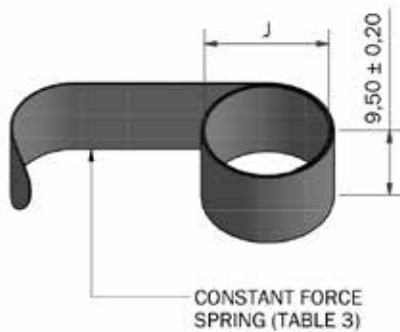
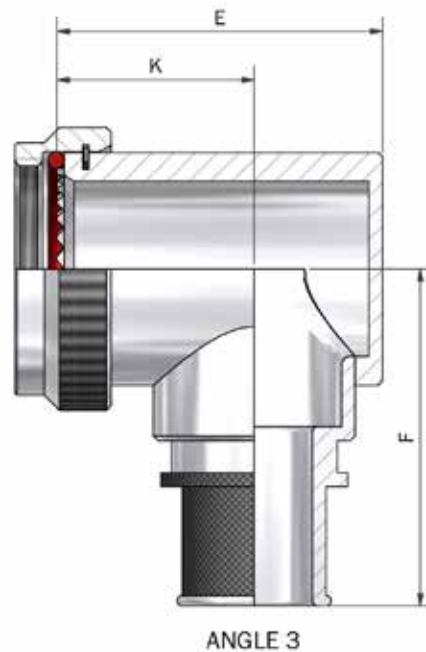
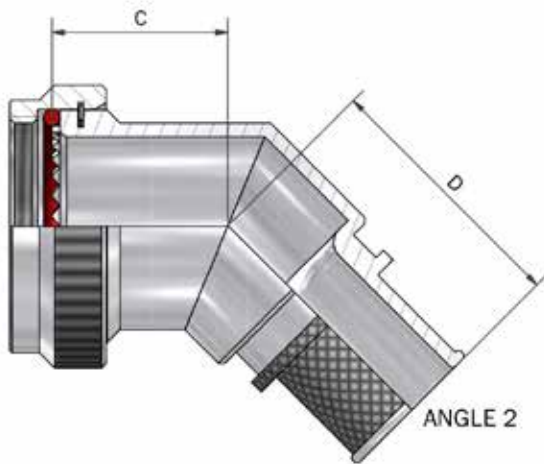
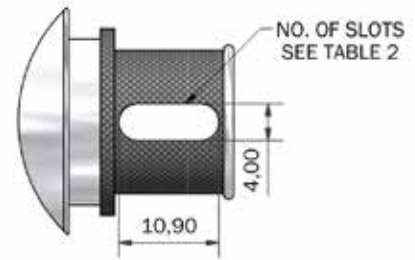


Interconnect Solutions Worldwide

SPRING TERMINATION



SLOT OPTION - SL
(PIGTAIL TERMINATION)



DRAWING NOT TO SCALE, DIMENSIONS IN MM

SEE PAGES 18-26 FOR COMPLETE LIST OF AVAILABLE MATERIALS, FINISHES AND CONNECTOR INTERFACES
(DIMENSIONS, FORM AND O RING SUBJECT TO CHANGE DEPENDING ON BACKSHELL MATERIAL AND CONNECTOR INTERFACE)

91F - Spring Termination

Interface F - MIL-DTL-38999 SERIES II



Interconnect Solutions Worldwide

SPRING TERMINATION

TABLE 1

SHELL SIZE	A THREAD	ØB MAX	ØT MIN	C ±0,5	D MAX	E MAX	F MAX	K ±0,5
08	7/16-28 UNEF	18,3	6,6	16,4	25,7	22,7	30,5	15,0
10	9/16-24 UNEF	21,5	10,1	17,2	26,9	26,2	32,2	17,0
12	11/16-24 UNEF	24,5	12,9	17,6	27,3	29,2	33,7	18,0
14	13/16-20 UNEF	27,8	16,1	18,5	28,2	32,2	35,2	20,0
16	15/16-20 UNEF	30,8	19,3	19,2	29,0	35,7	36,9	21,5
18	1 1/16-18 UNEF	34,1	21,7	19,6	29,3	39,7	38,5	23,0
20	1 3/16-18 UNEF	37,3	24,9	20,4	30,1	42,2	41,1	25,0
22	1 5/16-18 UNEF	40,5	28,1	20,8	30,5	45,2	41,6	26,0
24	1 7/16-18 UNEF	43,7	31,3	21,7	31,4	48,2	43,1	28,0

TABLE 2

ENTRY SIZE	ØG MIN	ØH MAX	SPRING REF	NO. OF SLOTS *
03	4,7	14,0	HE050	1
04	6,3	14,0	HE050	1
05	7,9	15,5	HE100	1
06	9,5	17,2	HE100	2
07	11,1	18,8	HE100	2
08	12,7	20,4	HE200	2
09	14,2	22,0	HE200	2
10	15,8	23,6	HE200	2
11	17,4	25,2	HE200	2
12	19,0	26,7	HE300	2
13	20,6	28,3	HE300	2
14	22,2	29,9	HE300	4
15	23,8	31,5	HE300	4
16	25,4	33,1	HE300	4
17	27,0	34,7	HE400	4
18	28,6	36,3	HE400	4
19	30,2	37,9	HE400	4
20	31,8	39,5	HE400	4
21	33,3	41,1	HE400	4
22	35,0	42,7	HE400	4
23	36,5	44,3	HE400	4
24	38,1	45,9	HE400	4

TABLE 3

SPRING REF	J MAX (UNCONSTRAINED)
HE 050	7,5
HE 100	8,0
HE 200	12,8
HE 300	17,9
HE 400	21,8

TABLE 4

CODE	FINISH
C	ELECTROLESS NICKEL
B	CADMIUM OLIVE DRAB OVER ELECTROLESS NICKEL
ZB	ZINC COBALT OLIVE DRAB OVER ELECTROLESS NICKEL
ZN	ZINC NICKEL BLACK PASSIVATE OVER ELECTROLESS NICKEL

LIST NOT EXHAUSTIVE, SEE PLATING TABLE FOR OTHER OPTIONS

91F1-16-08-1-C-HE200

SERIES _____
CONNECTOR INTERFACE _____
ANGLE _____
SHELL SIZE (TABLE 1) _____
ENTRY SIZE (TABLE 2) _____
MATERIAL _____
ALUMINIUM ALLOY _____
FINISH (TABLE 4) _____
*INSERT SL FOR SLOT OPTION _____
OMIT FOR STANDARD _____
SPRING REF (TABLE 2) _____
OMIT IF NO SPRING REQUIRED _____

For tooling and assembly instructions see www.polamco.com

Backshell supplied with Spring if specified in the part number
Sealing and strain relief achieved with Heat Shrink Boot (see page 354)
Adhesive if required for assembly (see page 352)
Screenbraid for EMC/RFI screening (see page 350)

DRAWING NOT TO SCALE, DIMENSIONS IN MM

SEE PAGES 18-26 FOR COMPLETE LIST OF AVAILABLE MATERIALS, FINISHES AND CONNECTOR INTERFACES (DIMENSIONS, FORM AND O RING SUBJECT TO CHANGE DEPENDING ON BACKSHELL MATERIAL AND CONNECTOR INTERFACE)

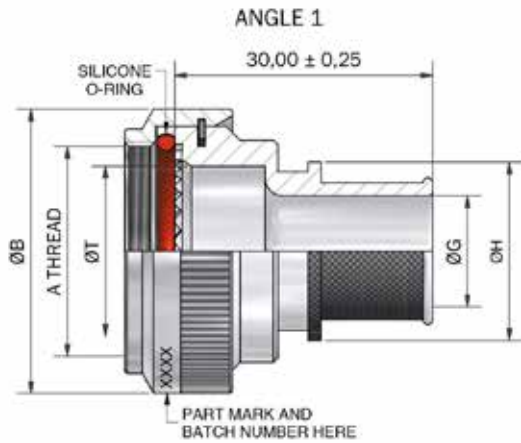
91H - Spring Termination

Interface H - MIL-DTL-38999 SERIES III & IV

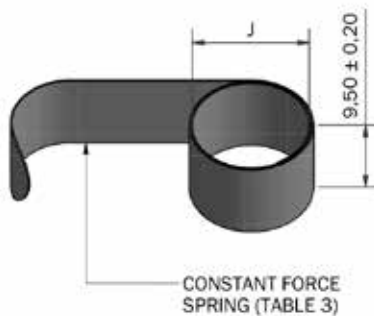
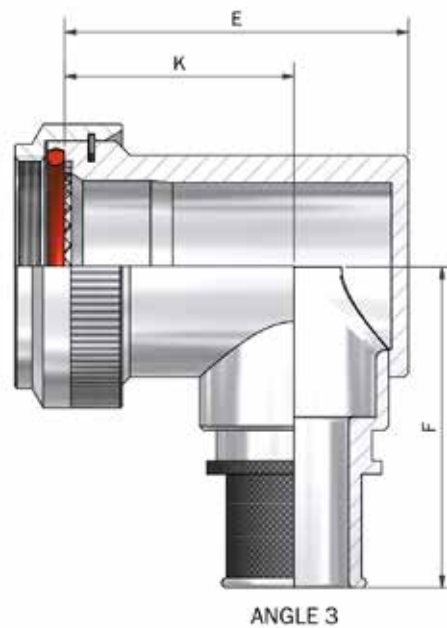
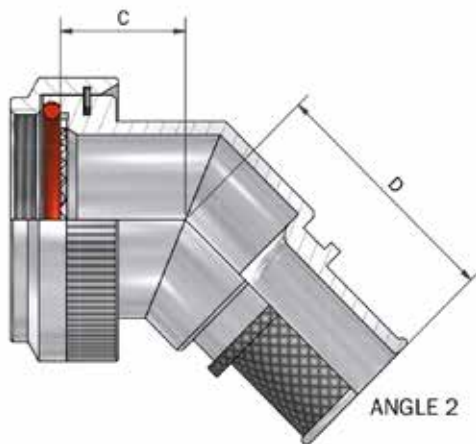
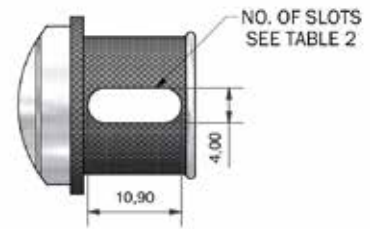


Interconnect Solutions Worldwide

SPRING TERMINATION



SLOT OPTION - SL
(PIGTAIL TERMINATION)



DRAWING NOT TO SCALE, DIMENSIONS IN MM

SEE PAGES 18-26 FOR COMPLETE LIST OF AVAILABLE MATERIALS, FINISHES AND CONNECTOR INTERFACES
(DIMENSIONS, FORM AND O RING SUBJECT TO CHANGE DEPENDING ON BACKSHELL MATERIAL AND CONNECTOR INTERFACE)

91H - Spring Termination

Interface H - MIL-DTL-38999 SERIES III & IV



Interconnect Solutions Worldwide

SPRING TERMINATION

TABLE 1

SHELL SIZE	A THREAD	ØB MAX	ØT MIN	C MAX	D MAX	E MAX	F MAX	K ±0,5
09	M12 x 1.0	18,0	6,7	13,1	25,7	25,7	30,5	17,5
11	M15 x 1.0	21,0	10,2	13,9	26,9	26,7	32,2	17,5
13	M18 x 1.0	24,5	13,5	14,5	27,3	31,2	33,7	20,0
15	M22 x 1.0	29,0	16,2	15,5	28,2	37,2	35,2	24,5
17	M25 x 1.0	32,5	19,4	16,1	29,0	40,2	36,9	26,7
19	M28 x 1.0	35,5	21,8	16,8	29,3	44,7	38,5	27,0
21	M31 x 1.0	37,0	25,1	17,1	30,1	49,2	40,1	30,5
23	M34 x 1.0	40,0	28,2	17,7	30,5	51,7	41,6	31,5
25	M37 x 1.0	43,5	31,4	18,4	31,4	53,2	43,1	28,5

TABLE 2

ENTRY SIZE	ØG MIN	ØH MAX	SPRING REF	NO. OF SLOTS *
03	4,7	13,9	HE050	1
04	6,3	13,9	HE050	1
05	7,9	15,5	HE100	1
06	9,5	17,2	HE100	2
07	11,1	18,7	HE100	2
08	12,7	20,3	HE200	2
09	14,2	21,9	HE200	2
10	15,8	23,5	HE200	2
11	17,4	25,1	HE200	2
12	19,0	26,7	HE300	2
13	20,6	28,3	HE300	2
14	22,2	29,9	HE300	4
15	23,8	31,5	HE300	4
16	25,4	33,1	HE300	4
17	27,0	34,7	HE400	4
18	28,6	36,3	HE400	4
19	30,2	37,9	HE400	4
20	31,8	39,5	HE400	4
21	33,3	41,1	HE400	4
22	35,0	42,7	HE400	4
23	36,5	44,3	HE400	4
24	38,1	45,9	HE400	4

TABLE 3

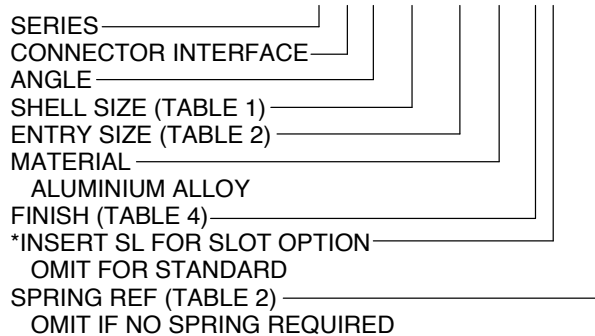
SPRING REF	J MAX (UNCONSTRAINED)
HE 050	7,5
HE 100	8,0
HE 200	12,8
HE 300	17,9
HE 400	21,8

TABLE 4

CODE	FINISH
C	ELECTROLESS NICKEL
B	CADMIUM OLIVE DRAB OVER ELECTROLESS NICKEL
ZB	ZINC COBALT OLIVE DRAB OVER ELECTROLESS NICKEL
ZN	ZINC NICKEL BLACK PASSIVATE OVER ELECTROLESS NICKEL

LIST NOT EXHAUSTIVE, SEE PLATING TABLE FOR OTHER OPTIONS

91H1-17-08-1-C-HE200



For tooling and assembly instructions see www.polamco.com

Backshell supplied with Spring if specified in the part number
 Sealing and strain relief achieved with Heat Shrink Boot (see page 354)
 Adhesive if required for assembly (see page 352)
 Screenbraid for EMC/RFI screening (see page 350)

DRAWING NOT TO SCALE, DIMENSIONS IN MM

SEE PAGES 18-26 FOR COMPLETE LIST OF AVAILABLE MATERIALS, FINISHES AND CONNECTOR INTERFACES (DIMENSIONS, FORM AND O RING SUBJECT TO CHANGE DEPENDING ON BACKSHELL MATERIAL AND CONNECTOR INTERFACE)

91H3 (CE) - Spring Termination Die Cast Swept Elbow

Interface H - MIL-DTL-38999 SERIES III & IV



Interconnect Solutions Worldwide

SPRING TERMINATION

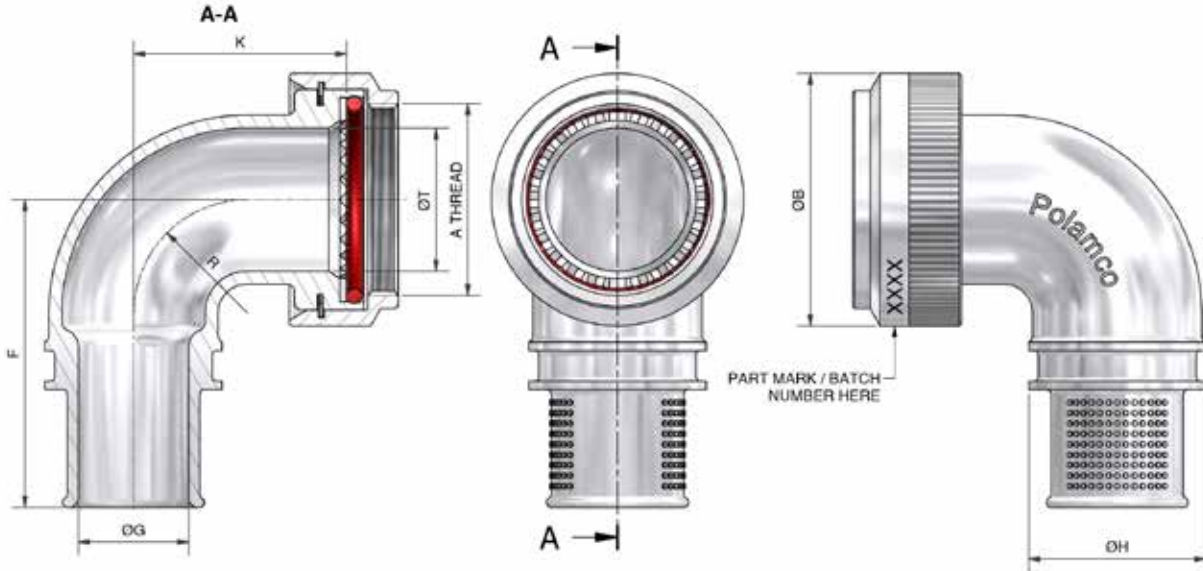


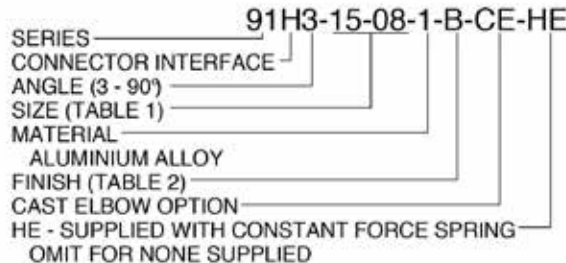
TABLE 1

SIZE	A THREAD	OB MAX	OT MIN	F +/-0,5	K +/-0,5	R REF.	OG MIN	OH MAX
09-04	M12 x 1.0	18,0	6,7	30,5	17,5	8,35	6,40	14,2
11-05	M15 x 1.0	21,0	10,2	32,3	17,5	9,95	7,92	15,7
13-07	M18 x 1.0	24,5	13,5	33,8	20,0	11,40	11,12	19,0
15-08	M22 x 1.0	29,0	16,2	35,7	24,5	13,00	12,70	20,5
17-10	M25 x 1.0	32,5	19,4	37,0	26,7	14,60	15,88	23,7
19-12	M28 x 1.0	35,5	21,8	38,6	27,0	15,70	19,05	26,9
21-14	M31 x 1.0	37,0	25,1	40,3	30,5	17,30	22,23	30,1
23-16	M34 x 1.0	40,0	28,2	41,9	31,5	18,85	25,40	33,2
25-16	M37 x 1.0	43,5	31,4	43,3	31,5	20,45	25,40	33,3

TABLE 2

CODE	PLATING
B	CADMIUM OLIVE DRAB OVER ELECTROLESS NICKEL
C	ELECTROLESS NICKEL
G	BLACK ANODISE
ZB	ZINC COBALT OLIVE DRAB OVER ELECTROLESS NICKEL
ZN	ZINC NICKEL BLACK PASSIVATE

LIST NOT EXHAUSTIVE, SEE PLATING TABLE FOR OTHER OPTIONS



For tooling and assembly instructions see www.polamco.com

- Backshell supplied with Spring if specified in the part number
- Sealing and strain relief achieved with Heat Shrink Boot (see page 354)
- Adhesive if required for assembly (see page 352)
- Screenbraid for EMC/RFI screening (see page 350)

DRAWING NOT TO SCALE, DIMENSIONS IN MM

SEE PAGES 18-26 FOR COMPLETE LIST OF AVAILABLE MATERIALS, FINISHES AND CONNECTOR INTERFACES
(DIMENSIONS, FORM AND O RING SUBJECT TO CHANGE DEPENDING ON BACKSHELL MATERIAL AND CONNECTOR INTERFACE)

91H3 (LP-EB) - Spring Termination Low Profile EB Weld

Interface H - MIL-DTL-38999 SERIES III & IV



Interconnect Solutions Worldwide

SPRING TERMINATION

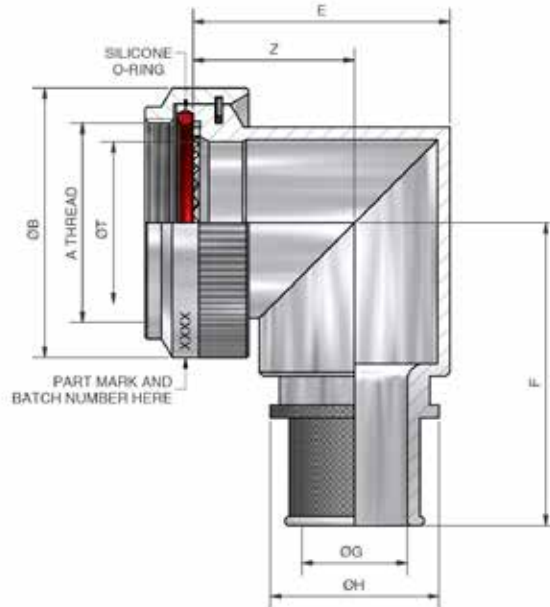


TABLE 1

SHELL SIZE	A THREAD	B MAX	E MAX	F MAX	T	Z
09	M12 x 1.0	18.0	18.0	30.5	6.8	12.8
11	M15 x 1.0	21.0	21.5	32.2	10.3	14.1
13	M18 x 1.0	24.5	25.0	33.7	13.6	15.8
15	M22 x 1.0	29.0	28.5	35.2	16.3	18.1
17	M25 x 1.0	32.5	31.5	36.9	19.5	19.7
19	M28 x 1.0	35.5	35.0	38.5	21.9	21.5
21	M31 x 1.0	37.0	37.0	40.1	25.2	22.0
23	M34 x 1.0	40.0	40.5	41.6	28.3	24.1
25	M37 x 1.0	43.5	43.5	43.1	31.5	25.8

TABLE 2

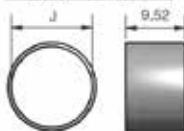
ENTRY SIZE	G	H MAX	SPRING REF.
03	4.77	13.9	HE050
04	6.35	13.9	HE050
05	7.92	15.5	HE100
06	9.52	17.2	HE100
07	11.10	18.7	HE100
08	12.70	20.3	HE200
09	14.27	21.9	HE200
10	15.88	23.5	HE200
11	17.47	25.1	HE200
12	19.05	26.7	HE300
13	20.62	28.3	HE300
14	22.23	29.9	HE300
15	23.82	31.5	HE300
16	25.40	33.1	HE300
17	27.00	34.7	HE400
18	28.60	36.3	HE400
19	30.20	37.9	HE400
20	31.80	39.5	HE400
21	33.38	41.1	HE400
22	35.00	42.7	HE400
23	36.58	44.3	HE400
24	38.10	45.9	HE400

TABLE 3

CODE	MATERIAL / PLATING
1-C	ALUMINIUM / ELECTROLESS NICKEL
1-B	ALUMINIUM / CADMIUM OLIVE DRAB OVER ELECTROLESS NICKEL
1-ZB	ALUMINIUM / ZINC COBALT OLIVE DRAB OVER ELECTROLESS NICKEL
1-ZN	ALUMINIUM / ZINC NICKEL BLACK PASSIVATE OVER ELECTROLESS NICKEL
4-J	STAINLESS STEEL / PASSIVATE
2-Z	NICKEL ALUMINIUM BRONZE / SHOT BLAST

LIST NOT EXHAUSTIVE - FOR COMPREHENSIVE LIST AND SPECS SEE WEBSITE

SPRING REF.	J
HE050	7.34
HE100	9.22
HE200	14.50
HE300	18.50
HE400	25.00



91H3-17-08-1-C-LP-EB-HE200

SERIES
CONNECTOR INTERFACE
ANGLE (3 - 90°)
SHELL SIZE (TABLE 1)
ENTRY SIZE (TABLE 2)
MATERIAL (TABLE 3)
FINISH (TABLE 3)
LOW PROFILE VARIANT
E.B. WELD VARIANT
SPRING REF. (TABLE 2)
OMIT IF NO SPRING REQUIRED

For tooling and assembly instructions see www.polamco.com

- Backshell supplied with Spring if specified in the part number
- Sealing and strain relief achieved with Heat Shrink Boot (see page 354)
- Adhesive if required for assembly (see page 352)
- Screenbraid for EMC/RFI screening (see page 350)

DRAWING NOT TO SCALE, DIMENSIONS IN MM

SEE PAGES 18-26 FOR COMPLETE LIST OF AVAILABLE MATERIALS, FINISHES AND CONNECTOR INTERFACES (DIMENSIONS, FORM AND O RING SUBJECT TO CHANGE DEPENDING ON BACKSHELL MATERIAL AND CONNECTOR INTERFACE)

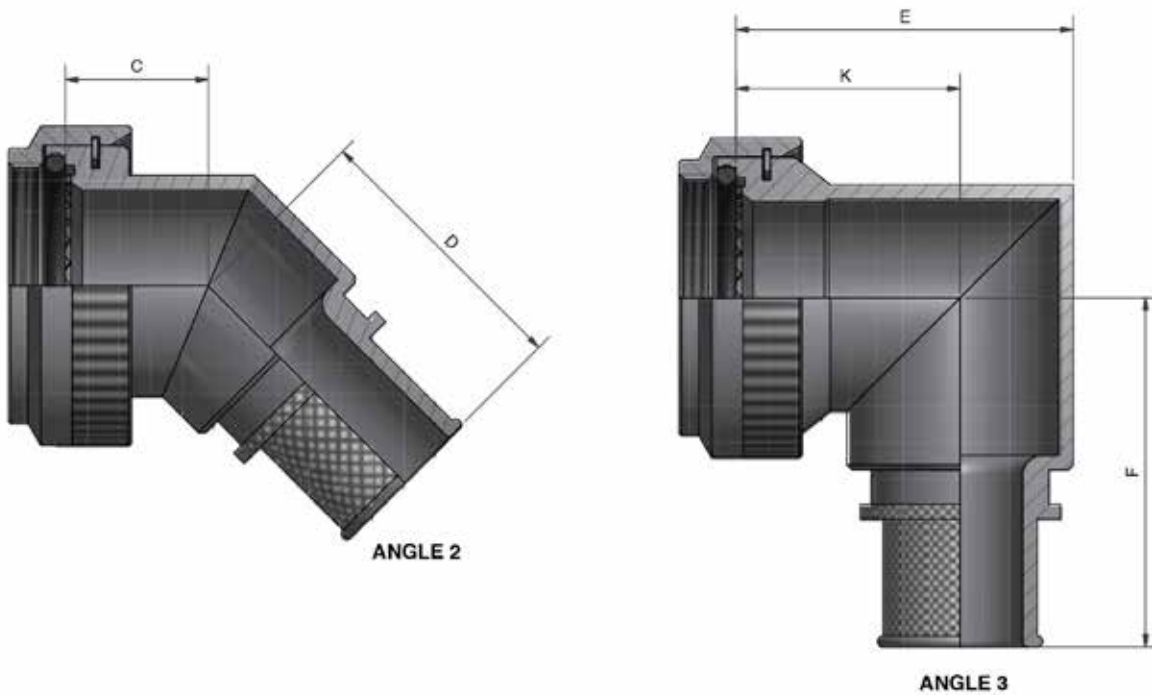
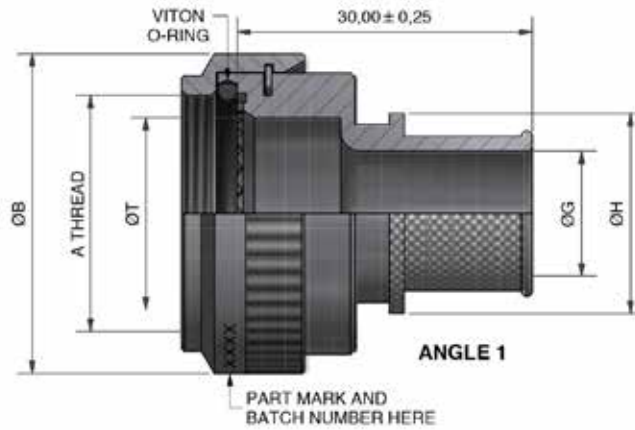
91 (SS) - Spring Termination Stainless Steel

Interface H - MIL-DTL-38999 SERIES III & IV



Interconnect Solutions Worldwide

SPRING TERMINATION



DRAWING NOT TO SCALE, DIMENSIONS IN MM

SEE PAGES 18-26 FOR COMPLETE LIST OF AVAILABLE MATERIALS, FINISHES AND CONNECTOR INTERFACES
(DIMENSIONS, FORM AND O RING SUBJECT TO CHANGE DEPENDING ON BACKSHELL MATERIAL AND CONNECTOR INTERFACE)

91 (SS) - Spring Termination Stainless Steel

Interface H - MIL-DTL-38999 SERIES III & IV



Interconnect Solutions Worldwide

SPRING TERMINATION

TABLE 1

SHELL SIZE	A THREAD	ØB MAX	ØT MIN	C MAX	D MAX	E MAX	F MAX	K ± 0,5
09	M12 x 1.0	18,0	6,7	13,1	24,7	21,5	29,1	16,3
11	M15 x 1.0	21,0	10,2	13,9	25,9	24,6	31,3	17,2
13	M18 x 1.0	24,5	13,5	14,5	26,3	28,6	33,1	19,4
15	M22 x 1.0	29,0	16,2	15,5	27,2	31,3	35,0	21,0
17	M25 x 1.0	32,5	19,4	16,1	28,0	34,5	35,7	22,8
19	M28 x 1.0	35,5	21,8	16,8	28,0	38,7	37,2	25,3
21	M31 x 1.0	37,0	25,1	17,1	29,1	41,0	38,9	26,1
23	M34 x 1.0	40,0	28,2	17,7	29,5	43,9	40,3	27,6
25	M37 x 1.0	43,5	31,4	18,4	30,4	46,7	45,1	29,1

TABLE 2

ENTRY SIZE	ØG MIN	ØH MAX	SPRING REF
03	4,7	13,9	HE050
04	6,3	13,9	HE050
05	7,9	15,5	HE100
06	9,5	17,2	HE100
07	11,1	18,7	HE100
08	12,7	20,3	HE200
09	14,2	21,9	HE200
10	15,8	23,5	HE200
11	17,4	25,1	HE200
12	19,0	26,7	HE300
13	20,6	28,3	HE300
14	22,2	29,9	HE300
15	23,8	31,5	HE300
16	25,4	33,1	HE300
17	27,0	34,7	HE400
18	28,6	36,3	HE400
19	30,2	37,9	HE400
20	31,8	39,5	HE400
21	33,3	41,1	HE400
22	35,0	42,7	HE400
23	36,5	44,3	HE400
24	38,1	45,9	HE400

TABLE 3

CODE	MATERIAL / PLATING
4-J	STAINLESS STEEL 303 S31 / PASSIVATE
46-J	STAINLESS STEEL 316 / PASSIVATE

LIST NOT EXHAUSTIVE, FOR COMPREHENSIVE LIST AND SPECS, SEE WEBSITE

91H1-17-08-4-J-HE200

SERIES _____
CONNECTOR INTERFACE _____
ANGLE _____
SHELL SIZE (TABLE 1) _____
ENTRY SIZE (TABLE 2) _____
MATERIAL (TABLE 3) _____
FINISH (TABLE 3) _____
SPRING REF (TABLE 2) _____
OMIT IF NO SPRING REQUIRED

For tooling and assembly instructions see www.polamco.com

Backshell supplied with Spring if specified in the part number
Sealing and strain relief achieved with Heat Shrink Boot (see page 354)
Adhesive if required for assembly (see page 352)
Screenbraid for EMC/RFI screening (see page 350)

DRAWING NOT TO SCALE, DIMENSIONS IN MM

SEE PAGES 18-26 FOR COMPLETE LIST OF AVAILABLE MATERIALS, FINISHES AND CONNECTOR INTERFACES
(DIMENSIONS, FORM AND O RING SUBJECT TO CHANGE DEPENDING ON BACKSHELL MATERIAL AND CONNECTOR INTERFACE)

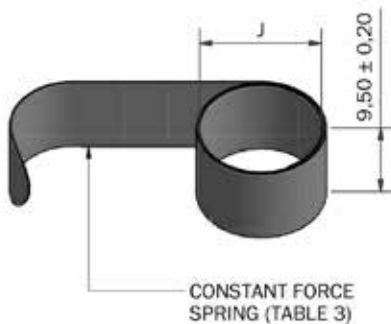
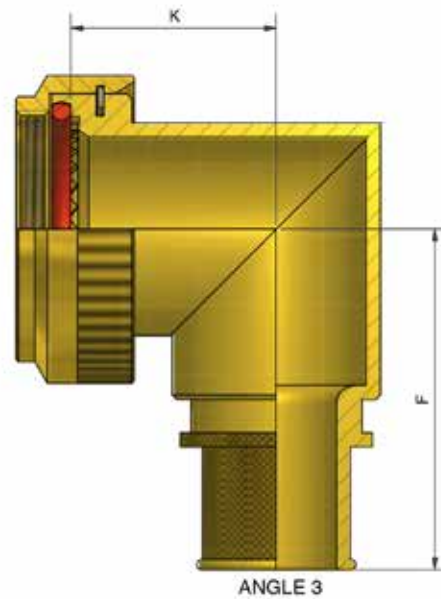
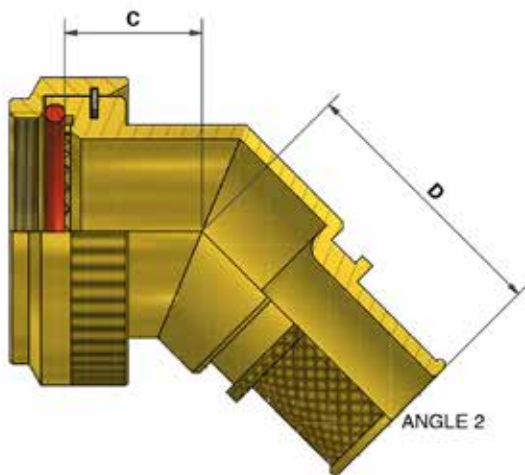
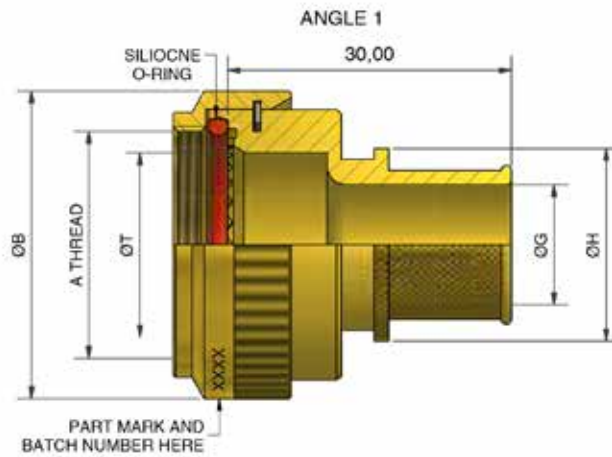
91H (NB) - Spring Termination Nickel Aluminium Bronze

Interface H - MIL-DTL-38999 SERIES III & IV



Interconnect Solutions Worldwide

SPRING TERMINATION



DRAWING NOT TO SCALE, DIMENSIONS IN MM

SEE PAGES 18-26 FOR COMPLETE LIST OF AVAILABLE MATERIALS, FINISHES AND CONNECTOR INTERFACES
(DIMENSIONS, FORM AND O RING SUBJECT TO CHANGE DEPENDING ON BACKSHELL MATERIAL AND CONNECTOR INTERFACE)

91H (NB) - Spring Termination Nickel Aluminium Bronze

Interface H - MIL-DTL-38999 SERIES III & IV



Interconnect Solutions Worldwide

SPRING TERMINATION

TABLE 1

SHELL SIZE	A THREAD	ØB MAX	ØT MIN	C ±0,5	D ±0,5	F MAX	K ±0,5
09	M12 x 1.0	18,0	6,7	12,0	25,1	32,4	15,5
11	M15 x 1.0	21,0	10,2	12,5	26,2	33,6	17,3
13	M18 x 1.0	24,5	13,5	13,1	26,6	34,8	18,7
15	M22 x 1.0	29,0	16,2	13,5	27,5	36,6	21,3
17	M25 x 1.0	32,5	19,4	14,5	28,3	38,5	22,8
19	M28 x 1.0	35,5	21,8	15,5	28,8	40,3	24,4
21	M31 x 1.0	37,0	25,1	16,0	29,7	42,0	25,1
23	M34 x 1.0	40,0	28,2	16,5	30,0	43,4	26,6
25	M37 x 1.0	43,5	31,4	17,1	30,9	44,8	28,1

TABLE 2

ENTRY SIZE	ØG MIN	ØH MAX	SPRING REF
03	4,7	13,9	HE050
04	6,3	13,9	HE050
05	7,9	15,5	HE100
06	9,5	17,2	HE100
07	11,1	18,7	HE100
08	12,7	20,3	HE200
09	14,2	21,9	HE200
10	15,8	23,5	HE200
11	17,4	25,1	HE200
12	19,0	26,7	HE300
13	20,6	28,3	HE300
14	22,2	29,9	HE300
15	23,8	31,5	HE300
16	25,4	33,1	HE300
17	27,0	34,7	HE400
18	28,6	36,3	HE400
19	30,2	37,9	HE400
20	31,8	39,5	HE400
21	33,3	41,1	HE400
22	35,0	42,7	HE400
23	36,5	44,3	HE400
24	38,1	45,9	HE400

TABLE 3

SPRING REF	J MAX (UNCONSTRAINED)
HE 050	7,5
HE 100	8,0
HE 200	12,8
HE 300	17,9
HE 400	21,8

91H1-17-08-2-Z-HE200

SERIES _____
CONNECTOR INTERFACE _____
ANGLE _____
SHELL SIZE (TABLE 1) _____
ENTRY SIZE (TABLE 2) _____
MATERIAL _____
NICKEL ALUMINIUM BRONZE
FINISH _____
SHOT BLAST
SPRING REF (TABLE 2) _____
OMIT IF NO SPRING REQUIRED

For tooling and assembly instructions see www.polamco.com

Backshell supplied with Spring if specified in the part number
Sealing and strain relief achieved with Heat Shrink Boot (see page 354)
Adhesive if required for assembly (see page 352)
Screenbraid for EMC/RFI screening (see page 350)

DRAWING NOT TO SCALE, DIMENSIONS IN MM

SEE PAGES 18-26 FOR COMPLETE LIST OF AVAILABLE MATERIALS, FINISHES AND CONNECTOR INTERFACES
(DIMENSIONS, FORM AND O RING SUBJECT TO CHANGE DEPENDING ON BACKSHELL MATERIAL AND CONNECTOR INTERFACE)

X91F1 - Spring Termination Composite

Interface F - MIL-DTL-38999 SERIES I



Interconnect Solutions Worldwide

SPRING TERMINATION

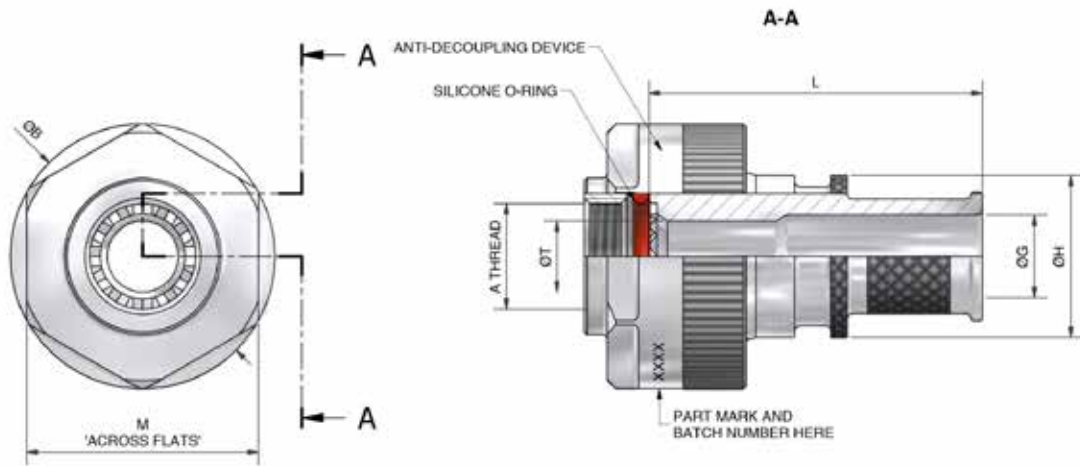


TABLE 1

SHELL SIZE	A THREAD	ØB MAX	ØT MIN	M A/F
09	7/16-28UNEF	25,4	6,8	22,2
11	9/16-24UNEF	26,6	10,2	22,2
13	11/16-24UNEF	29,5	13,1	25,4
15	13/16-20UNEF	32,6	16,2	28,6
17	15/16-20UNEF	37,6	19,3	31,8
19	1 1/16-18UNEF	40,8	22,3	35,1
21	1 3/16-18UNEF	42,1	25,8	38,1
23	1 5/16-18UNEF	45,2	28,3	41,3
25	1 7/16-18UNEF	47,5	31,5	44,5

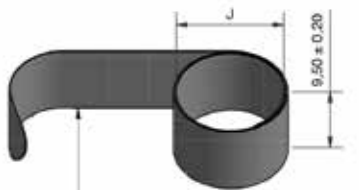
TABLE 2

ENTRY SIZE	ØG MIN	ØH MAX	SPRING REF.
03	4,7	13,9	HE050
04	6,3	13,9	HE050
05	7,9	15,5	HE100
06	9,5	17,2	HE100
07	11,1	18,7	HE100
08	12,7	20,3	HE200
09	14,2	21,9	HE200
10	15,8	23,5	HE200
11	17,4	25,1	HE200
12	19,0	26,7	HE300
13	20,6	28,3	HE300
14	22,2	29,9	HE300
15	23,8	31,5	HE300
16	25,4	33,1	HE300
17	27,0	34,7	HE400
18	28,6	36,3	HE400
19	30,2	37,9	HE400
20	31,8	39,5	HE400
21	33,3	41,1	HE400
22	35,0	42,7	HE400
23	36,5	44,3	HE400
24	38,1	45,9	HE400

TABLE 3

CODE	MATERIAL / PLATING
74-C	ULTEM / ELECTROLESS NICKEL
74-B	ULTEM / CADMIUM OLIVE DRAB OVER ELECTROLESS NICKEL
74-ZB	ULTEM / ZINC COBALT OLIVE DRAB OVER ELECTROLESS NICKEL
74-ZN	ULTEM / ZINC NICKEL BLACK PASSIVATE OVER ELECTROLESS NICKEL
74-U	ULTEM / UNPLATED

LIST NOT EXHAUSTIVE, SEE PLATING TABLE FOR OTHER OPTIONS

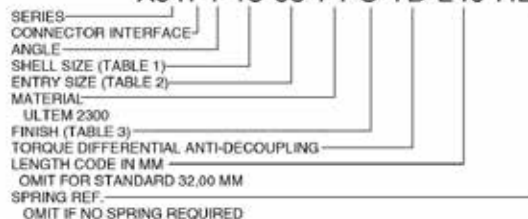


STAINLESS STEEL CONSTANT FORCE SPRING (TABLE 2)

TABLE 4

SPRING REF.	J MAX (UNCONSTRAINED)
HE050	7,5
HE100	8,0
HE200	12,8
HE300	17,9
HE400	21,8

X91F1-15-08-74-C-TD-L40-HE200



For tooling and assembly instructions see www.polamco.com

- Backshell supplied with Spring if specified in the part number
- Sealing and strain relief achieved with Heat Shrink Boot (see page 354)
- Adhesive if required for assembly (see page 352)
- Screenbraid for EMC/RFI screening (see page 350)

DRAWING NOT TO SCALE, DIMENSIONS IN MM

SEE PAGES 18-26 FOR COMPLETE LIST OF AVAILABLE MATERIALS, FINISHES AND CONNECTOR INTERFACES (DIMENSIONS, FORM AND O RING SUBJECT TO CHANGE DEPENDING ON BACKSHELL MATERIAL AND CONNECTOR INTERFACE)

X91F1 - Spring Termination Composite

Interface F - MIL-DTL-38999 SERIES II



Interconnect Solutions Worldwide

SPRING TERMINATION

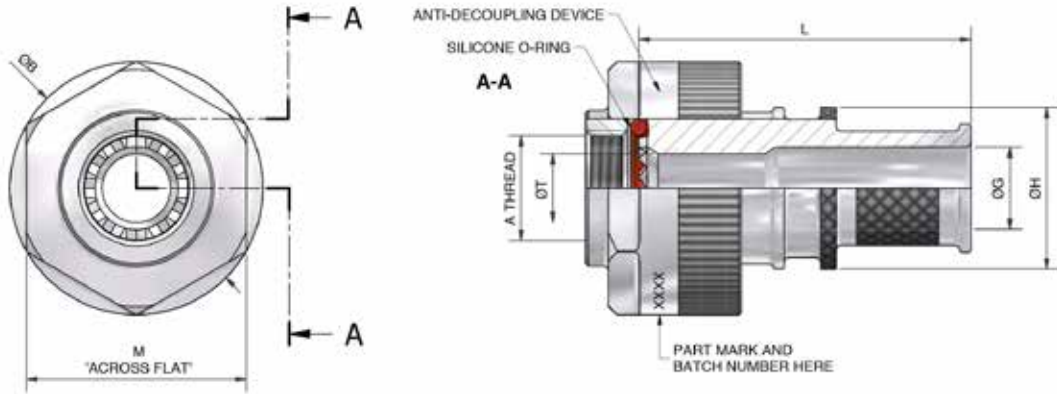


TABLE 1

SHELL SIZE	A THREAD	OB MAX	OT MIN	M A/F
08	7/16-28UNEF	24,4	6,6	21,2
10	9/16-24UNEF	25,6	10,1	21,2
12	11/16-24UNEF	28,5	12,9	24,4
14	13/16-20UNEF	31,6	16,1	27,6
16	15/16-20UNEF	36,6	19,3	30,8
18	1 1/16-18UNEF	39,8	21,7	34,1
20	1 3/16-18UNEF	41,1	24,9	37,1
22	1 5/16-18UNEF	44,2	28,1	40,3
24	1 7/16-18UNEF	46,5	31,3	43,5

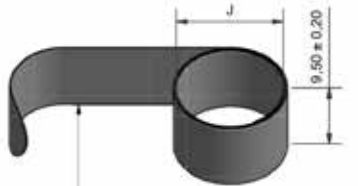
TABLE 2

ENTRY SIZE	OG MIN	OH MAX	SPRING REF.
03	4,7	13,9	HE050
04	6,3	13,9	HE050
05	7,9	15,5	HE100
06	9,5	17,2	HE100
07	11,1	18,7	HE100
08	12,7	20,3	HE200
09	14,2	21,9	HE200
10	15,8	23,5	HE200
11	17,4	25,1	HE200
12	19,0	26,7	HE300
13	20,6	28,3	HE300
14	22,2	29,9	HE300
15	23,8	31,5	HE300
16	25,4	33,1	HE300
17	27,0	34,7	HE400
18	28,6	36,3	HE400
19	30,2	37,9	HE400
20	31,8	39,5	HE400
21	33,3	41,1	HE400
22	35,0	42,7	HE400
23	36,5	44,3	HE400
24	38,1	45,9	HE400

TABLE 3

CODE	MATERIAL / PLATING
74-C	ULTEM / ELECTROLESS NICKEL
74-B	ULTEM / CADMIUM OLIVE DRAB OVER ELECTROLESS NICKEL
74-ZB	ULTEM / ZINC COBALT OLIVE DRAB OVER ELECTROLESS NICKEL
74-ZN	ULTEM / ZINC NICKEL BLACK PASSIVATE OVER ELECTROLESS NICKEL
74-U	ULTEM / UNPLATED

LIST NOT EXHAUSTIVE. SEE PLATING TABLE FOR OTHER OPTIONS

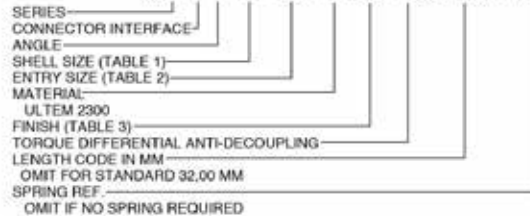


STAINLESS STEEL CONSTANT FORCE SPRING (TABLE 2)

TABLE 4

SPRING REF.	J MAX (UNCONSTRAINED)
HE050	7,5
HE100	8,0
HE200	12,8
HE300	17,9
HE400	21,8

X91F1-14-08-74-C-TD-L40-HE200



For tooling and assembly instructions see www.polamco.com

- Backshell supplied with Spring if specified in the part number
- Sealing and strain relief achieved with Heat Shrink Boot (see page 354)
- Adhesive if required for assembly (see page 352)
- Screenbraid for EMC/RFI screening (see page 350)

DRAWING NOT TO SCALE, DIMENSIONS IN MM

SEE PAGES 18-26 FOR COMPLETE LIST OF AVAILABLE MATERIALS, FINISHES AND CONNECTOR INTERFACES (DIMENSIONS, FORM AND O RING SUBJECT TO CHANGE DEPENDING ON BACKSHELL MATERIAL AND CONNECTOR INTERFACE)

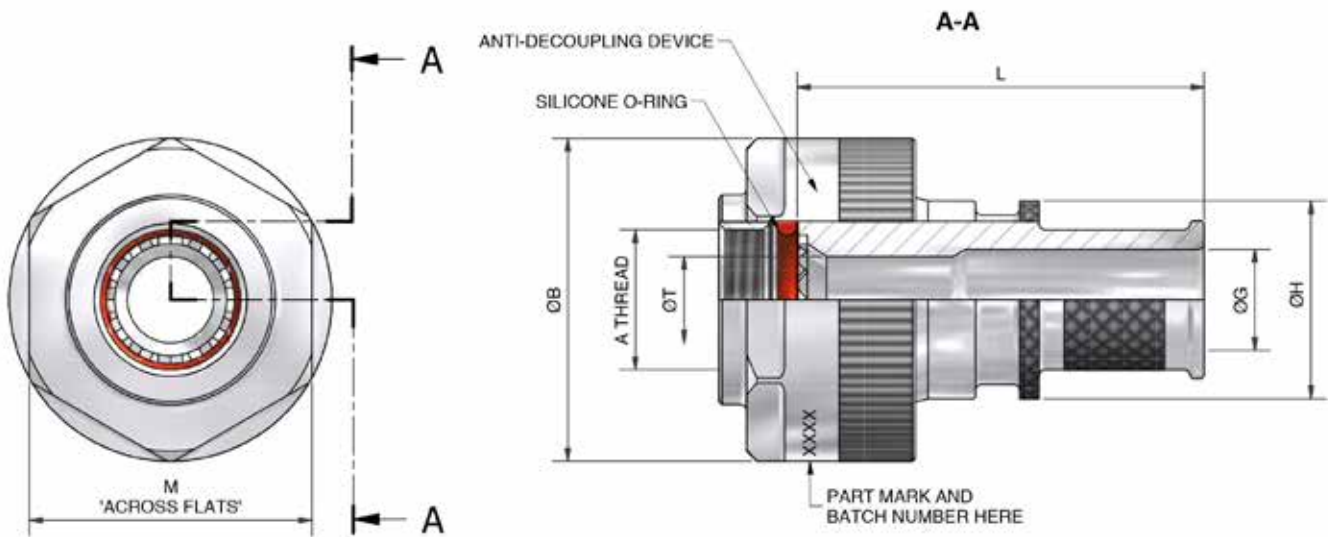
X91H1 - Spring Termination Composite

Interface H - MIL-DTL-38999 SERIES III & IV



Interconnect Solutions Worldwide

SPRING TERMINATION



DRAWING NOT TO SCALE, DIMENSIONS IN MM

SEE PAGES 18-26 FOR COMPLETE LIST OF AVAILABLE MATERIALS, FINISHES AND CONNECTOR INTERFACES (DIMENSIONS, FORM AND O RING SUBJECT TO CHANGE DEPENDING ON BACKSHELL MATERIAL AND CONNECTOR INTERFACE)

X91H1 - Spring Termination Composite

Interface H - MIL-DTL-38999 SERIES III & IV



Interconnect Solutions Worldwide

SPRING TERMINATION

TABLE 1

SHELL SIZE	A THREAD	ØB MAX	ØT MIN	M A/F
09	M12x1.0	25,4	6,7	22,2
11	M15x1.0	26,6	10,2	22,2
13	M18x1.0	29,5	13,5	25,4
15	M22x1.0	32,6	16,2	28,6
17	M25x1.0	37,6	19,4	31,8
19	M28x1.0	40,8	21,8	35,1
21	M31x1.0	42,1	25,1	38,1
23	M34x1.0	45,2	28,2	41,3
25	M37x1.0	47,5	31,4	44,5

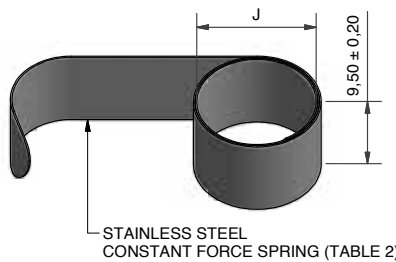
TABLE 2

ENTRY SIZE	ØG MIN	ØH MAX	SPRING REF.
03	4,7	13,9	HE050
04	6,3	13,9	HE050
05	7,9	15,5	HE100
06	9,5	17,2	HE100
07	11,1	18,7	HE100
08	12,7	20,3	HE200
09	14,2	21,9	HE200
10	15,8	23,5	HE200
11	17,4	25,1	HE200
12	19,0	26,7	HE300
13	20,6	28,3	HE300
14	22,2	29,9	HE300
15	23,8	31,5	HE300
16	25,4	33,1	HE300
17	27,0	34,7	HE400
18	28,6	36,3	HE400
19	30,2	37,9	HE400
20	31,8	39,5	HE400
21	33,3	41,1	HE400
22	35,0	42,7	HE400
23	36,5	44,3	HE400
24	38,1	45,9	HE400

TABLE 3

CODE	MATERIAL / PLATING
74-C	ULTEM / ELECTROLESS NICKEL
74-B	ULTEM / CADMIUM OLIVE DRAB OVER ELECTROLESS NICKEL
74-ZB	ULTEM / ZINC COBALT OLIVE DRAB OVER ELECTROLESS NICKEL
74-ZN	ULTEM / ZINC NICKEL BLACK PASSIVATE OVER ELECTROLESS NICKEL
74-U	ULTEM / UNPLATED

LIST NOT EXHAUSTIVE, SEE PLATING TABLE FOR OTHER OPTIONS



STAINLESS STEEL
CONSTANT FORCE SPRING (TABLE 2)

TABLE 4

SPRING REF.	J MAX (UNCONSTRAINED)
HE050	7,5
HE100	8,0
HE200	12,8
HE300	17,9
HE400	21,8

X91H1-15-08-74-C-TD-L40-HE200

SERIES _____
CONNECTOR INTERFACE _____
ANGLE _____
SHELL SIZE (TABLE 1) _____
ENTRY SIZE (TABLE 2) _____
MATERIAL _____
ULTEM 2300 _____
FINISH (TABLE 3) _____
TORQUE DIFFERENTIAL ANTI-DECOUPLING _____
LENGTH CODE IN MM _____
OMIT FOR STANDARD 32,00 MM _____
SPRING REF. _____
OMIT IF NO SPRING REQUIRED _____

For tooling and assembly instructions see www.polamco.com

- Backshell supplied with Spring if specified in the part number
- Sealing and strain relief achieved with Heat Shrink Boot (see page 354)
- Adhesive if required for assembly (see page 352)
- Screenbraid for EMC/RFI screening (see page 350)

DRAWING NOT TO SCALE, DIMENSIONS IN MM

SEE PAGES 18-26 FOR COMPLETE LIST OF AVAILABLE MATERIALS, FINISHES AND CONNECTOR INTERFACES
(DIMENSIONS, FORM AND O RING SUBJECT TO CHANGE DEPENDING ON BACKSHELL MATERIAL AND CONNECTOR INTERFACE)

91F3C - Spring Termination Cobra Head

Interface F - MIL-DTL-38999 SERIES I & II



Interconnect Solutions Worldwide

SPRING TERMINATION

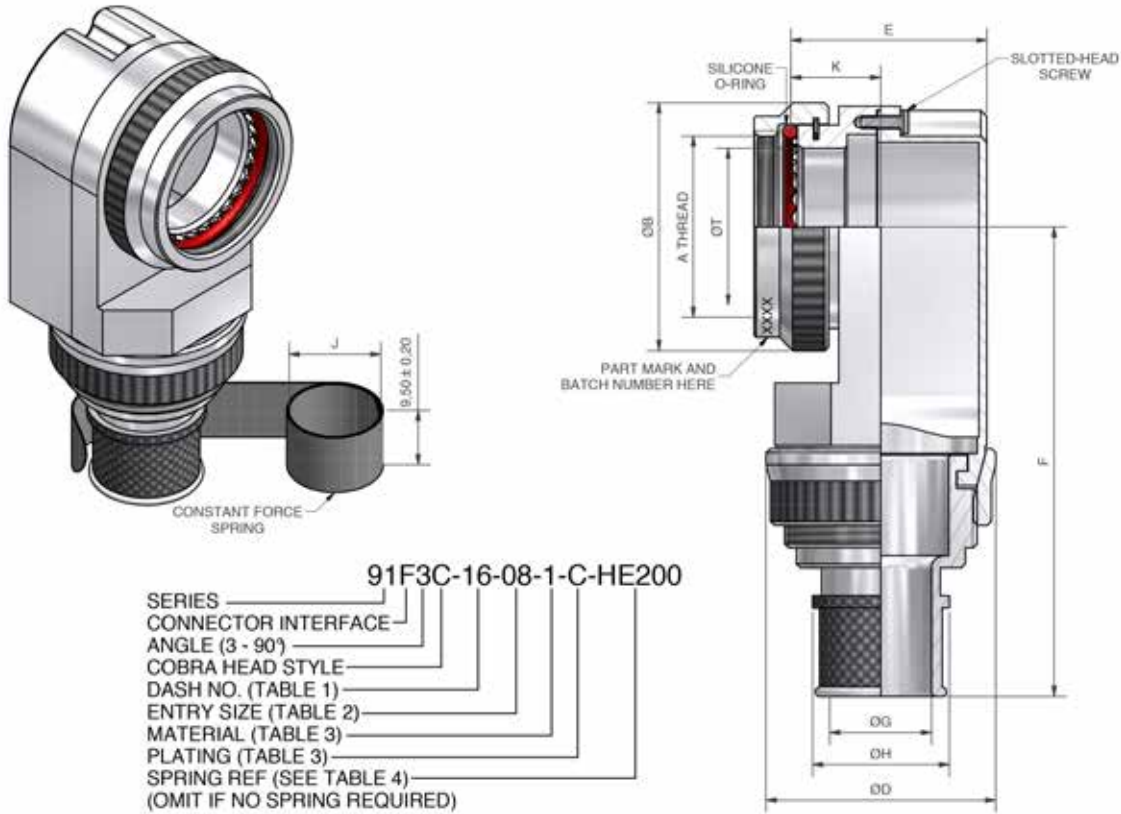


TABLE 1

DASH NO.	SHELL SIZE SERIES I	SHELL SIZE SERIES II	A THREAD	OB MAX	OT MIN	OD MAX	E MAX	F MAX	K +/-0.5	MAX ENTRY
08	09	08	7/16-28 UNEF	18.3	6.6	18.7	17.7	48.6	8.7	04
10	11	10	9/16-24 UNEF	21.5	10.1	21.7	19.0	52.7	8.7	06
12	13	12	11/16-24 UNEF	24.5	12.9	24.7	22.1	52.7	8.7	08
14	15	14	13/16-20 UNEF	27.8	16.1	24.7	22.1	56.5	10.2	08
16	17	16	15/16-20 UNEF	30.8	19.3	28.7	25.1	58.8	11.2	10
18	19	18	1 1/16-18 UNEF	34.1	21.7	28.7	25.1	61.5	11.2	10
20	21	20	1 3/16-18 UNEF	37.3	24.9	28.7	25.1	62.5	11.2	10
22	23	22	1 5/16-18 UNEF	40.5	28.1	31.7	28.1	65.0	12.7	12
24	25	24	1 7/16-18 UNEF	43.7	31.3	31.7	28.1	66.5	12.7	12

TABLE 2

ENTRY SIZE	OG MIN	OH MAX	SPRING REF.
03	4.77	9.4	HE050
04	6.35	11.0	HE050
05	7.92	12.6	HE100
06	9.52	14.0	HE100
07	11.10	15.7	HE100
08	12.70	17.0	HE200
09	14.27	19.9	HE200
10	15.88	20.4	HE200
11	17.47	22.1	HE200
12	19.05	23.6	HE200

TABLE 3

CODE	MATERIAL / PLATING
1-C	ALUMINIUM / ELECTROLESS NICKEL
1-B	ALUMINIUM / CADMIUM OLIVE DRAB OVER ELECTROLESS NICKEL
1-ZB	ALUMINIUM / ZINC COBALT OLIVE DRAB OVER ELECTROLESS NICKEL
1-ZN	ALUMINIUM / ZINC NICKEL BLACK PASSIVATE OVER ELECTROLESS NICKEL
4-J	STAINLESS STEEL / PASSIVATE
2-Z	NICKEL ALUMINIUM BRONZE / SHOT BLAST NON REFLECTIVE

LIST NOT EXHAUSTIVE, SEE PLATING TABLE FOR OTHER OPTIONS

TABLE 4

SPRING REF.	J MAX (UNCONSTRAINED)
HE050	7.5
HE100	8.0
HE200	12.8
HE300	17.9
HE400	21.8

For tooling and assembly instructions see www.polamco.com

- Backshell supplied with Spring if specified in the part number
- Sealing and strain relief achieved with Heat Shrink Boot (see page 354)
- Adhesive if required for assembly (see page 352)
- Screenbraid for EMC/RFI screening (see page 350)

DRAWING NOT TO SCALE, DIMENSIONS IN MM

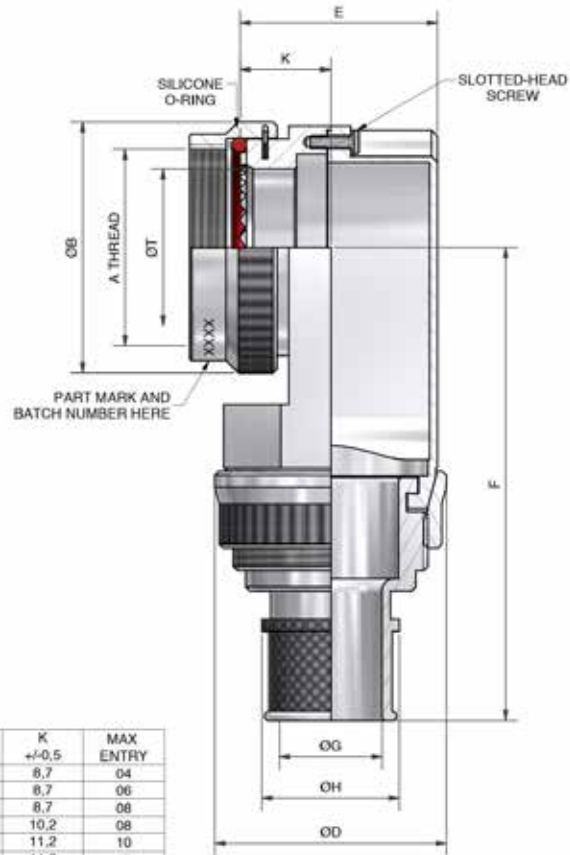
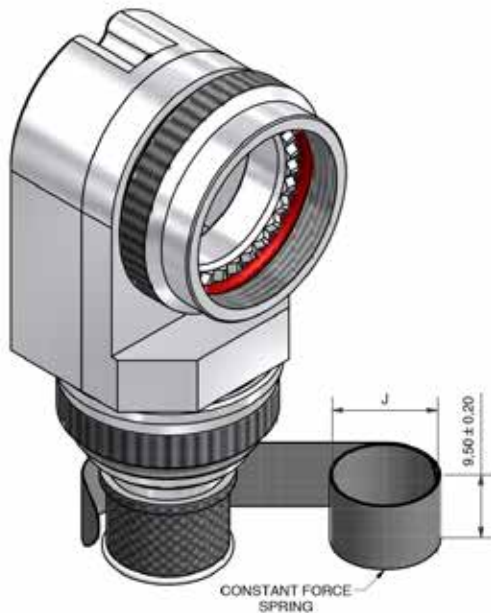
SEE PAGES 18-26 FOR COMPLETE LIST OF AVAILABLE MATERIALS, FINISHES AND CONNECTOR INTERFACES (DIMENSIONS, FORM AND O RING SUBJECT TO CHANGE DEPENDING ON BACKSHELL MATERIAL AND CONNECTOR INTERFACE)

91H3C - Spring Termination Cobra Head

Interface H - MIL-DTL-38999 SERIES III & IV



Interconnect Solutions Worldwide



SPRING TERMINATION

TABLE 1

SHELL SIZE	A THREAD	OB MAX	OT MIN	OD MAX	E MAX	F MAX	K +/-0.5	MAX ENTRY
09	M12 x 1.0	18.0	6.7	18.7	17.7	48.6	8.7	04
11	M15 x 1.0	21.0	10.2	21.7	19.0	52.7	8.7	06
13	M18 x 1.0	24.5	13.5	24.7	22.1	52.7	8.7	08
15	M22 x 1.0	27.5	16.2	24.7	22.1	56.5	10.2	08
17	M25 x 1.0	31.0	19.4	28.7	25.1	58.8	11.2	10
19	M28 x 1.0	34.0	21.8	28.7	25.1	61.5	11.2	10
21	M31 x 1.0	37.0	25.1	28.7	25.1	62.5	11.2	10
23	M34 x 1.0	40.0	28.2	31.7	28.1	65.0	12.7	12
25	M37 x 1.0	43.5	31.4	31.7	28.1	66.5	12.7	12

TABLE 2

ENTRY SIZE	OG MIN	OH MAX	SPRING REF.
03	4.77	9.4	HE050
04	6.35	11.0	HE050
05	7.92	12.6	HE100
06	9.52	14.0	HE100
07	11.10	15.7	HE100
08	12.70	17.0	HE200
09	14.27	19.9	HE200
10	15.88	20.4	HE200
11	17.47	22.1	HE200
12	19.05	23.6	HE200

TABLE 3

CODE	MATERIAL / PLATING
1-C	ALUMINIUM / ELECTROLESS NICKEL
1-B	ALUMINIUM / CADMIUM OLIVE DRAB OVER ELECTROLESS NICKEL
1-ZB	ALUMINIUM / ZINC COBALT OLIVE DRAB OVER ELECTROLESS NICKEL
1-ZN	ALUMINIUM / ZINC NICKEL BLACK PASSIVATE OVER ELECTROLESS NICKEL
4-J	STAINLESS STEEL / PASSIVATE
2-Z	NICKEL ALUMINIUM BRONZE / SHOT BLAST NON REFLECTIVE

LIST NOT EXHAUSTIVE, SEE PLATING TABLE FOR OTHER OPTIONS

TABLE 4

SPRING REF.	J MAX (UNCONSTRAINED)
HE050	7.5
HE100	8.0
HE200	12.8
HE300	17.9
HE400	21.8

91H3C-17-08-1-C-HE200

SERIES
CONNECTOR INTERFACE
ANGLE (3 - 90°)
COBRA HEAD STYLE
SHELL SIZE (TABLE 1)
ENTRY SIZE (TABLE 2)
MATERIAL (TABLE 3)
PLATING (TABLE 3)
SPRING REF (SEE TABLE 4)
(OMIT IF NO SPRING REQUIRED)

For tooling and assembly instructions see www.palamco.com

- Backshell supplied with Spring if specified in the part number
- Sealing and strain relief achieved with Heat Shrink Boot (see page 354)
- Adhesive if required for assembly (see page 352)
- Screenbraid for EMC/RFI screening (see page 350)

DRAWING NOT TO SCALE, DIMENSIONS IN MM

SEE PAGES 18-26 FOR COMPLETE LIST OF AVAILABLE MATERIALS, FINISHES AND CONNECTOR INTERFACES
(DIMENSIONS, FORM AND O RING SUBJECT TO CHANGE DEPENDING ON BACKSHELL MATERIAL AND CONNECTOR INTERFACE)

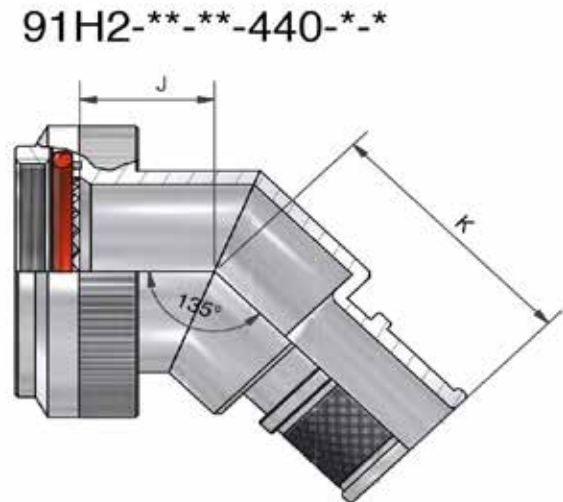
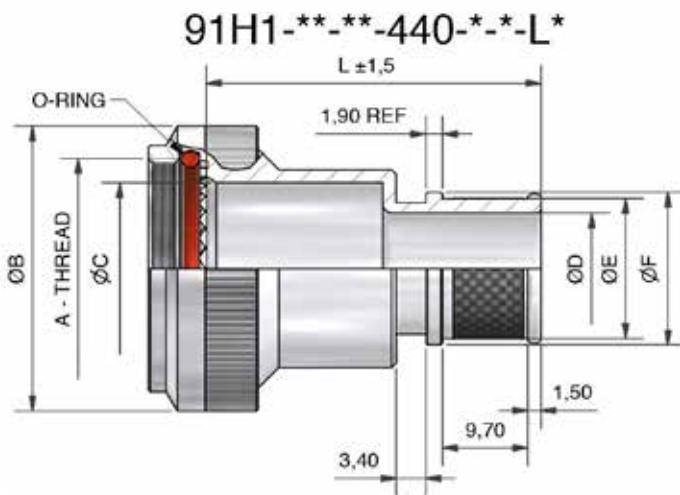
91H - Spring Termination 440 Profile

Interface H - MIL-DTL-38999 SERIES III & IV

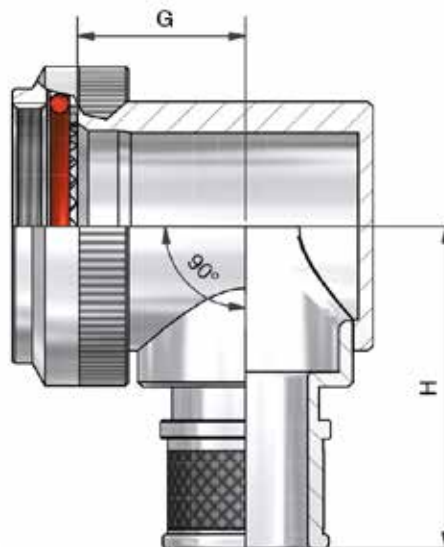


Interconnect Solutions Worldwide

SPRING TERMINATION



91H3-**-**-440-**-*



DRAWING NOT TO SCALE, DIMENSIONS IN MM

SEE PAGES 18-26 FOR COMPLETE LIST OF AVAILABLE MATERIALS, FINISHES AND CONNECTOR INTERFACES
(DIMENSIONS, FORM AND O RING SUBJECT TO CHANGE DEPENDING ON BACKSHELL MATERIAL AND CONNECTOR INTERFACE)

91H - Spring Termination 440 Profile

Interface H - MIL-DTL-38999 SERIES III & IV



Interconnect Solutions Worldwide

SPRING TERMINATION

TABLE 1

SHELL SIZE	MAX ENTRY SIZE	A THREAD	ØB MAX	C	G MAX	H MAX	J MAX	K MAX
09	04	M12x1,0	18,0	6,8	16,2	28,2	13,5	23,9
11	06	M15x1,0	21,0	10,3	16,9	29,0	15,1	25,4
13	08	M18x1,0	24,5	13,6	17,5	29,5	15,7	26,7
15	10	M22x1,0	29,0	16,3	17,9	31,4	16,7	27,7
17	12	M25x1,0	32,5	19,5	18,6	33,2	17,5	29,2
19	14	M28x1,0	35,5	21,9	20,4	34,7	19,0	30,2
21	16	M31x1,0	37,0	25,2	26,2	35,4	19,6	31,8
23	18	M34x1,0	40,0	28,3	29,4	36,9	20,3	33,5
25	20	M37x1,0	43,5	31,5	31,0	38,7	20,9	35,1

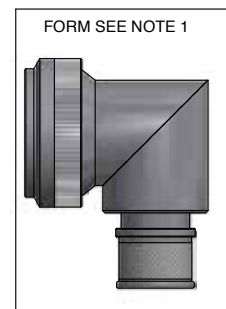


TABLE 2

ENTRY SIZE	ØD	ØE	ØF
03	4,77	7,9	9,5
04	6,35	9,5	11,1
05	7,92	11,1	12,7
06	9,52	12,7	14,3
07	11,10	14,3	15,8
08	12,70	15,9	17,4
09	14,27	17,5	19,1
10	15,88	19,1	20,6
11	17,47	20,6	22,2
12	19,05	22,2	23,8
13	20,62	23,8	25,4
14	22,23	25,4	27,0
15	23,82	27,0	28,5
16	25,40	28,6	30,1
17	27,00	30,2	31,8
18	28,60	31,8	33,3
19	30,20	33,4	35,0
20	31,80	34,9	36,5
21	33,38	36,6	38,2
22	35,00	38,1	39,7
23	36,58	39,8	41,4
24	38,10	41,3	42,8
26	41,30	44,5	46,0
28	44,50	47,6	49,2
30	47,60	50,8	52,4
32	50,80	54,0	55,5

TABLE 3

CODE	MATERIAL / PLATING
1-B	ALUMINIUM / CADMIUM OLIVE DRAB (5-10 MICRONS) QQ-P-416, TYPE II, CLASS 3 OVER ELECTROLESS NICKEL
1-C	ALUMINIUM / ELECTROLESS NICKEL, AMS-C26074, CLASSE 4, GRADE B
1-ZN	ALUMINIUM / ZINC NICKEL BLACK PASSIVATE (5-12 MICRONS) OVER ELECTROLESS NICKEL (8-12 MICRONS), ASTM B 841, CLASS 1
4-J	STAINLESS STEEL / PASSIVATE, PER QQ-P-416 OR MI-S-5002
2-Z	NICKEL ALUMINIUM BRONZE / SHOT BLAST FOR NON-REFLECTIVE FINISH

LIST NOT EXHAUSTIVE, SEE PLATING TABLE FOR OTHER OPTIONS

* NOTES:

- G AND H DIMENSIONS ARE INCREASED BY 4,7 WHEN THE PARTS ARE FABRICATED FROM STAINLESS STEEL AND NICKEL ALUMINIUM BRONZE
- FOR NON-STANDARD EXIT SIZE
- PLEASE CONSULT SALES OFFICE FOR DETAILS

91H1-17-08-440-1-C-L3

SERIES
CONNECTOR INTERFACE
ANGLE
SHELL SIZE (TABLE 1)
ENTRY SIZE (TABLE 2)
SERIES
MATERIAL (TABLE 3)
PLATING (TABLE 3)
LENGTH CODE (STRAIGHT ONLY)
MIN CODE L3 (1,5 INCH), 0,5 INCH INCREMENTS

For tooling and assembly instructions see www.polamco.com

Backshell supplied with Spring if specified in the part number
Sealing and strain relief achieved with Heat Shrink Boot (see page 354)
Adhesive if required for assembly (see page 352)
Screenbraid for EMC/RFI screening (see page 350)

DRAWING NOT TO SCALE, DIMENSIONS IN MM

SEE PAGES 18-26 FOR COMPLETE LIST OF AVAILABLE MATERIALS, FINISHES AND CONNECTOR INTERFACES (DIMENSIONS, FORM AND O RING SUBJECT TO CHANGE DEPENDING ON BACKSHELL MATERIAL AND CONNECTOR INTERFACE)

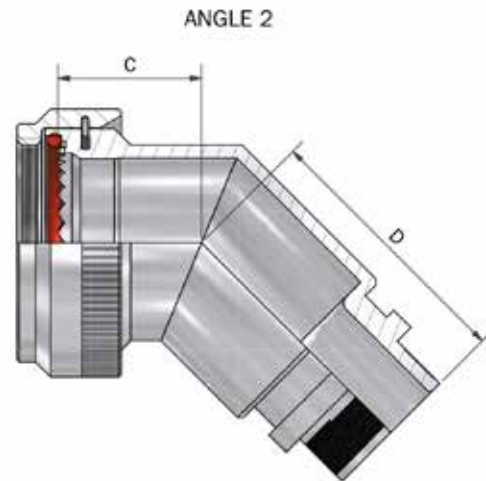
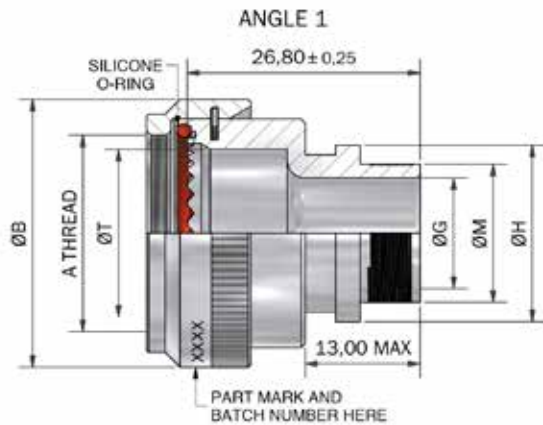
60F - Memory Ring Termination

Interface F - MIL-DTL-38999 SERIES I

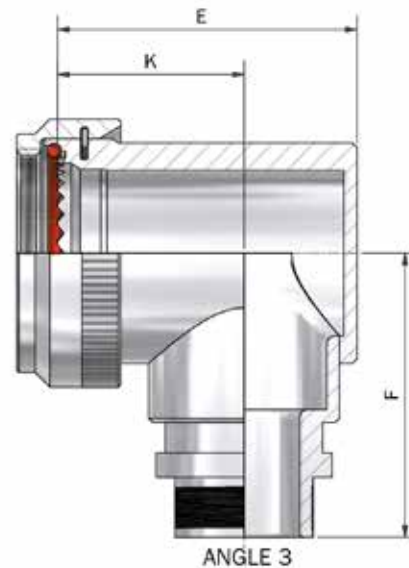
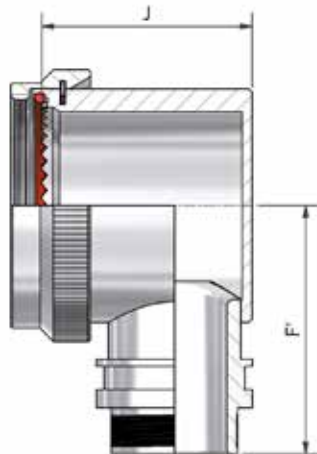


Interconnect Solutions Worldwide

MEMORY RING



ANGLE 3
LOW PROFILE OPTION



DRAWING NOT TO SCALE, DIMENSIONS IN MM

SEE PAGES 18-26 FOR COMPLETE LIST OF AVAILABLE MATERIALS, FINISHES AND CONNECTOR INTERFACES (DIMENSIONS, FORM AND O RING SUBJECT TO CHANGE DEPENDING ON BACKSHELL MATERIAL AND CONNECTOR INTERFACE)

60F - Memory Ring Termination

Interface F - MIL-DTL-38999 SERIES I



Interconnect Solutions Worldwide

TABLE 1

SHELL SIZE	A THREAD	ØB MAX	ØT MIN	C ±0,5	D MAX	E MAX	F MAX	K ±0,5	J MAX	F' MAX	MAX ENTRY FOR LOW PROFILE OPTION
09	7/16-28 UNEF	18,0	6,8	16,4	26,8	22,7	26,5	15,0	18,0	27,4	04
11	9/16-24 UNEF	21,0	10,2	17,2	27,6	26,2	28,2	17,0	22,0	29,2	05
13	11/16-24 UNEF	24,5	13,1	17,6	28,0	29,2	29,7	18,0	22,0	30,7	06
15	13/16-20 UNEF	27,8	16,2	18,5	29,0	32,2	31,2	20,0	25,0	32,2	07
17	15/16-20 UNEF	30,8	19,3	19,2	29,8	35,7	32,9	21,5	27,0	33,9	08
19	1 1/16-18 UNEF	34,1	22,3	19,6	30,6	39,7	34,5	23,0	28,0	35,7	10
21	1 3/16-18 UNEF	37,3	25,8	20,4	30,9	42,2	36,1	25,0	29,0	37,1	10
23	1 5/16-18 UNEF	41,0	28,3	20,8	31,2	45,2	37,6	26,0	31,7	38,6	10
25	1 7/16-18 UNEF	43,7	31,5	21,7	32,1	48,2	39,1	28,0	31,7	40,1	10

TABLE 2

ENTRY SIZE	ØG MIN	ØH MAX	ØM MAX
04	6,3	14,3	9,5
05	7,9	15,8	11,1
06	9,5	17,4	12,7
07	11,1	19,0	14,3
08	12,7	20,6	15,9
10	15,8	23,8	19,0
12	19,0	27,0	22,2
14	22,2	30,1	25,4
16	25,4	33,3	28,6
18	28,5	36,5	31,8
20	31,7	39,7	34,9
22	34,9	42,8	38,1
24	38,1	46,0	41,3

TABLE 3

CODE	FINISH
C	ELECTROLESS NICKEL
B	CADMIUM OLIVE DRAB OVER ELECTROLESS NICKEL
ZB	ZINC COBALT OLIVE DRAB OVER ELECTROLESS NICKEL
ZN	ZINC NICKEL BLACK PASSIVATE OVER ELECTROLESS NICKEL

LIST NOT EXHAUSTIVE, SEE PLATING TABLE FOR OTHER OPTIONS

MEMORY RING

60F1-17-08-1-C-LP-A

SERIES _____
 CONNECTOR INTERFACE _____
 ANGLE _____
 SHELL SIZE (TABLE 1) _____
 ENTRY SIZE (TABLE 2) _____
 MATERIAL _____
 ALUMINIUM ALLOY
 FINISH (TABLE 3) _____
 LOW PROFILE OPTION (90° ONLY) _____
 OMIT IF STANDARD REQUIRED
 RING OPTION: _____
 A - RING TO SUIT SINGLE BRAID
 B - RING TO SUIT DOUBLE BRAID
 OMIT IF NO RING IS REQUIRED

For tooling and assembly instructions see www.polamco.com

Backshell supplied with Ring if specified in the part number
 Sealing and strain relief achieved with Heat Shrink Boot (see page 354)
 Adhesive if required for assembly (see page 352)
 Screenbraid for EMC/RFI screening (see page 350)

DRAWING NOT TO SCALE, DIMENSIONS IN MM

SEE PAGES 18-26 FOR COMPLETE LIST OF AVAILABLE MATERIALS, FINISHES AND CONNECTOR INTERFACES
 (DIMENSIONS, FORM AND O RING SUBJECT TO CHANGE DEPENDING ON BACKSHELL MATERIAL AND CONNECTOR INTERFACE)

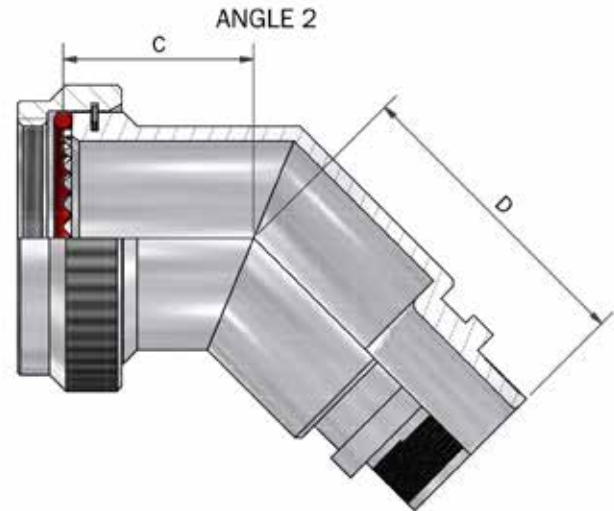
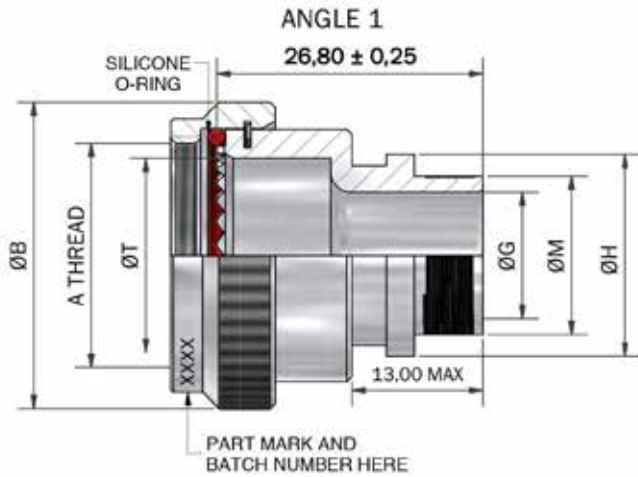
60F - Memory Ring Termination

Interface F - MIL-DTL-38999 SERIES II

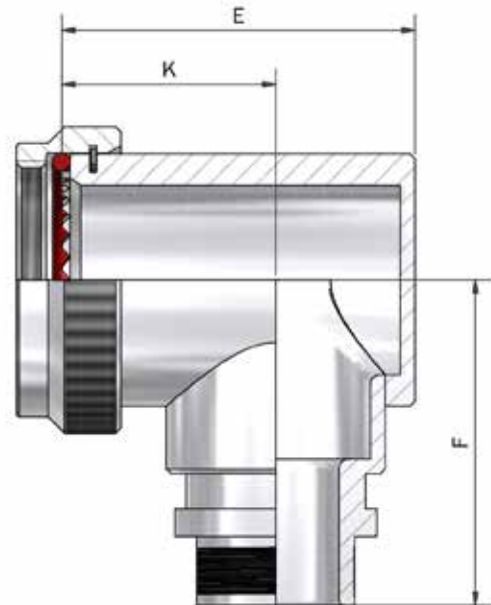
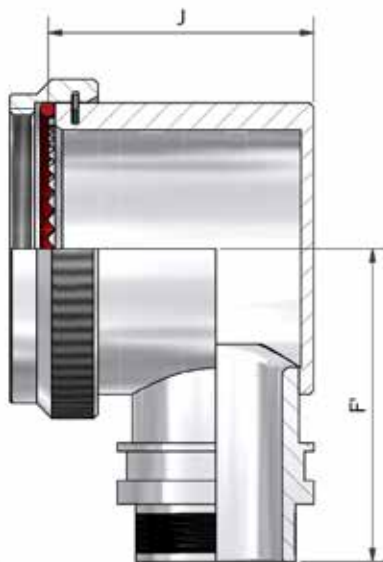


Interconnect Solutions Worldwide

MEMORY RING



ANGLE 3
LOW PROFILE OPTION



ANGLE 3



MEMORY METAL RING

SEE PAGES 18-26 FOR COMPLETE LIST OF AVAILABLE MATERIALS, FINISHES AND CONNECTOR INTERFACES (DIMENSIONS, FORM AND O RING SUBJECT TO CHANGE DEPENDING ON BACKSHELL MATERIAL AND CONNECTOR INTERFACE)

60F - Memory Ring Termination

Interface F - MIL-DTL-38999 SERIES II



Interconnect Solutions Worldwide

TABLE 1

SHELL SIZE	A THREAD	ØB MAX	ØT MIN	C ±0,5	D MAX	E MAX	F MAX	K ±0,5	J MAX	F' MAX	MAX ENTRY FOR LOW PROFILE OPTION
08	7/16-28 UNEF	18,3	6,6	16,4	20,6	22,7	26,5	15,0	18,0	27,4	04
10	9/16-24 UNEF	21,5	10,1	17,2	21,4	26,2	28,2	17,0	22,0	29,2	05
12	11/16-24 UNEF	24,5	12,9	17,6	22,3	29,2	29,7	18,0	22,0	30,7	06
14	13/16-20 UNEF	27,8	16,1	18,5	22,7	32,2	31,2	20,0	25,0	32,2	07
16	15/16-20 UNEF	30,8	19,3	19,2	23,5	35,7	32,9	21,5	27,0	33,9	08
18	1 1/16-18 UNEF	34,1	21,7	19,6	23,8	39,7	34,5	23,0	28,0	35,7	10
20	1 3/16-18 UNEF	37,3	24,9	20,4	24,6	42,2	36,1	25,0	29,0	37,1	10
22	1 5/16-18 UNEF	40,5	28,1	20,8	25,5	45,2	37,6	26,0	31,7	38,6	10
24	1 7/16-18 UNEF	43,7	31,3	21,7	25,9	48,2	39,1	28,0	31,7	40,1	10

TABLE 2

ENTRY SIZE	ØG MIN	ØH MAX	ØM MAX
04	6,3	14,3	9,5
05	7,9	15,8	11,1
06	9,5	17,4	12,7
07	11,1	19,0	14,3
08	12,7	20,6	15,9
10	15,8	23,8	19,0
12	19,0	27,0	22,2
14	22,2	30,1	25,4
16	25,4	33,3	28,6
18	28,5	36,5	31,8
20	31,7	39,7	34,9
22	34,9	42,8	38,1
24	38,1	46,0	41,3

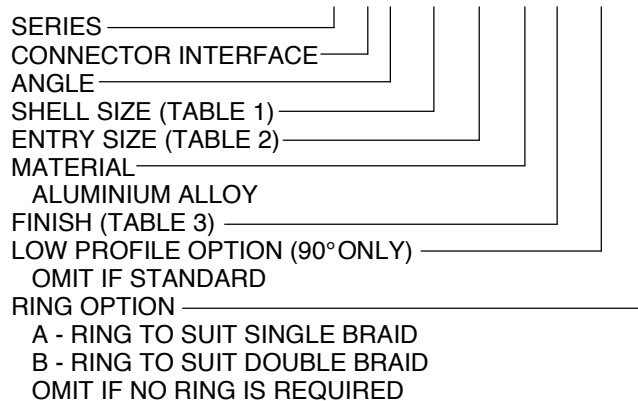
TABLE 3

CODE	FINISH
C	ELECTROLESS NICKEL
B	CADMIUM OLIVE DRAB OVER ELECTROLESS NICKEL
ZB	ZINC COBALT OLIVE DRAB OVER ELECTROLESS NICKEL
ZN	ZINC NICKEL BLACK PASSIVATE OVER ELECTROLESS NICKEL

LIST NOT EXHAUSTIVE, SEE PLATING TABLE FOR OTHER OPTIONS

MEMORY RING

60F1-16-08-1-C-LP-A



For tooling and assembly instructions see www.polamco.com

Backshell supplied with Ring if specified in the part number
Sealing and strain relief achieved with Heat Shrink Boot (see page 354)
Adhesive if required for assembly (see page 352)
Screenbraid for EMC/RFI screening (see page 350)

DRAWING NOT TO SCALE, DIMENSIONS IN MM

SEE PAGES 18-26 FOR COMPLETE LIST OF AVAILABLE MATERIALS, FINISHES AND CONNECTOR INTERFACES (DIMENSIONS, FORM AND O RING SUBJECT TO CHANGE DEPENDING ON BACKSHELL MATERIAL AND CONNECTOR INTERFACE)

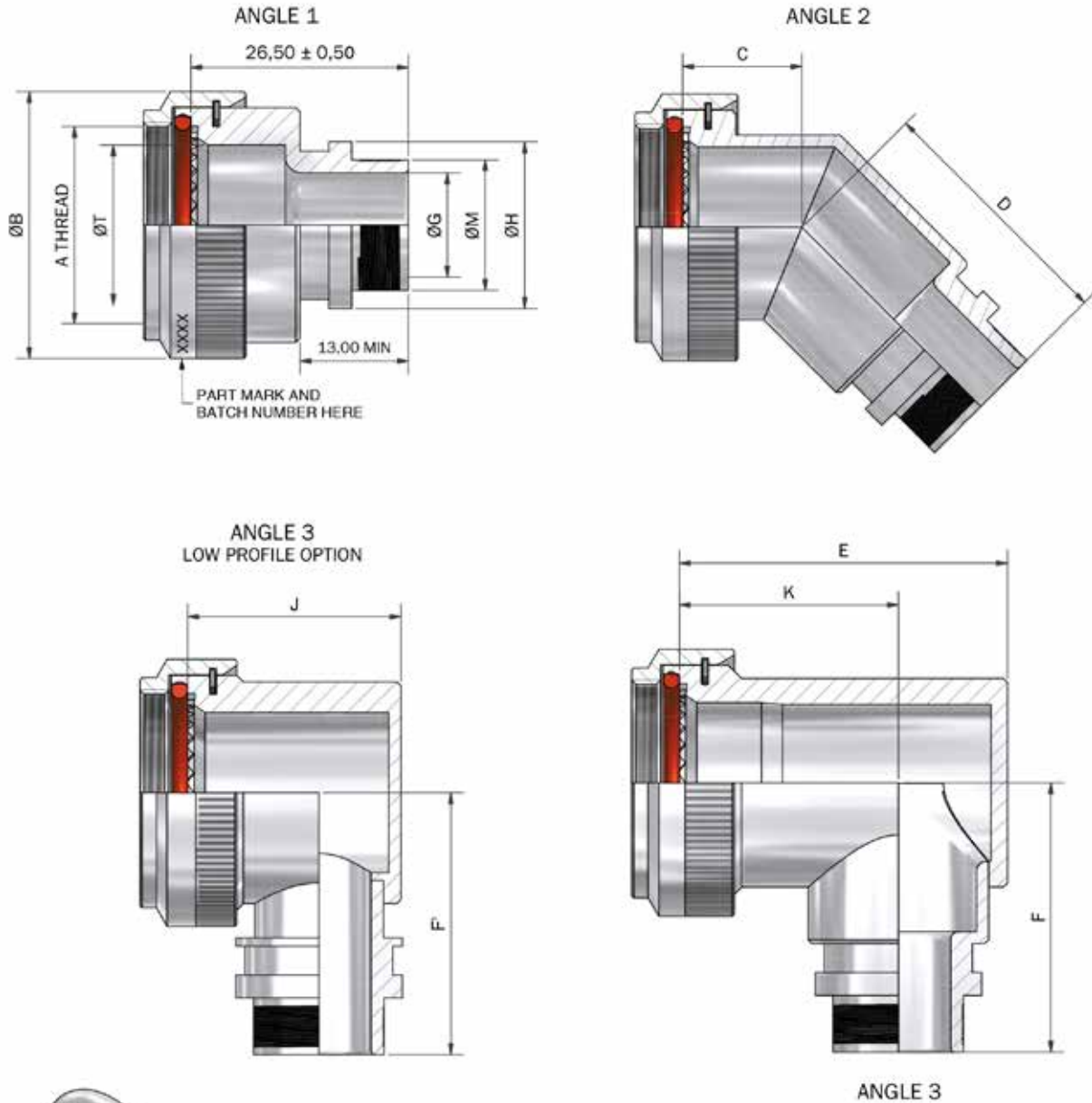
60H - Memory Ring Termination

Interface H - MIL-DTL-38999 SERIES III & IV



Interconnect Solutions Worldwide

MEMORY RING



DRAWING NOT TO SCALE, DIMENSIONS IN MM

SEE PAGES 18-26 FOR COMPLETE LIST OF AVAILABLE MATERIALS, FINISHES AND CONNECTOR INTERFACES (DIMENSIONS, FORM AND O RING SUBJECT TO CHANGE DEPENDING ON BACKSHELL MATERIAL AND CONNECTOR INTERFACE)

60H - Memory Ring Termination

Interface H - MIL-DTL-38999 SERIES III & IV



Interconnect Solutions Worldwide

TABLE 1

SHELL SIZE	A THREAD	ØB MAX	ØT MIN	C MAX	D MAX	E MAX	F MAX	K ±0,5	J MAX	F' MAX	MAX ENTRY FOR LOW PROFILE OPTION
09	M12 x 1.0	18,0	6,7	13,1	26,8	25,7	26,4	17,5	18,0	27,4	04
11	M15 x 1.0	21,0	10,2	13,9	27,6	26,7	28,2	17,5	22,0	29,2	05
13	M18 x 1.0	24,5	13,5	14,5	28,0	31,2	29,7	20,0	22,0	30,7	06
15	M22 x 1.0	29,0	16,2	15,5	29,0	37,2	31,2	24,5	25,0	32,2	07
17	M25 x 1.0	32,5	19,4	16,1	29,8	40,2	32,9	26,7	27,0	33,9	08
19	M28 x 1.0	35,5	21,8	16,8	30,6	44,7	34,5	27,0	28,0	35,7	10
21	M31 x 1.0	37,0	25,1	17,1	30,9	49,2	36,1	30,5	29,0	37,1	10
23	M34 x 1.0	40,0	28,2	17,7	31,2	51,7	37,6	31,5	31,7	38,6	10
25	M37 x 1.0	43,5	31,4	18,4	32,1	53,2	39,1	28,5	31,7	40,1	10

TABLE 2

ENTRY SIZE	ØG MIN	ØH MAX	ØM MAX
04	6,3	14,3	9,5
05	7,9	15,8	11,1
06	9,5	17,4	12,7
07	11,1	19,0	14,3
08	12,7	20,6	15,9
10	15,8	23,8	19,0
12	19,0	27,0	22,2
14	22,2	30,1	25,4
16	25,4	33,3	28,6
18	28,5	36,5	31,8
20	31,7	39,7	34,9
22	34,9	42,8	38,1
24	38,1	46,0	41,3

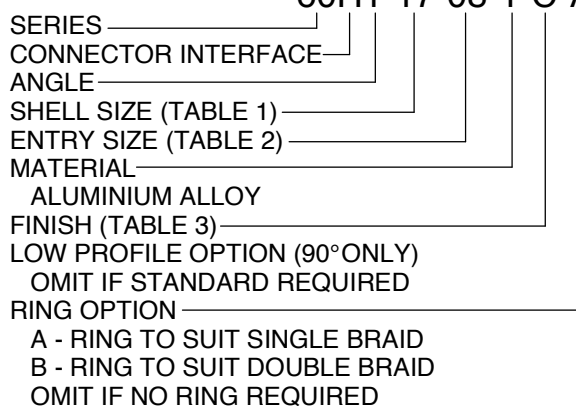
TABLE 3

CODE	FINISH
C	ELECTROLESS NICKEL
B	CADMIUM OLIVE DRAB OVER ELECTROLESS NICKEL
ZB	ZINC COBALT OLIVE DRAB OVER ELECTROLESS NICKEL
ZN	ZINC NICKEL BLACK PASSIVATE OVER ELECTROLESS NICKEL

LIST NOT EXHAUSTIVE, SEE PLATING TABLE FOR OTHER OPTIONS

MEMORY RING

60H1-17-08-1-C-A



For tooling and assembly instructions see www.polamco.com

- Backshell supplied with Ring if specified in the part number
- Sealing and strain relief achieved with Heat Shrink Boot (see page 354)
- Adhesive if required for assembly (see page 352)
- Screenbraid for EMC/RFI screening (see page 350)

DRAWING NOT TO SCALE, DIMENSIONS IN MM

SEE PAGES 18-26 FOR COMPLETE LIST OF AVAILABLE MATERIALS, FINISHES AND CONNECTOR INTERFACES (DIMENSIONS, FORM AND O RING SUBJECT TO CHANGE DEPENDING ON BACKSHELL MATERIAL AND CONNECTOR INTERFACE)

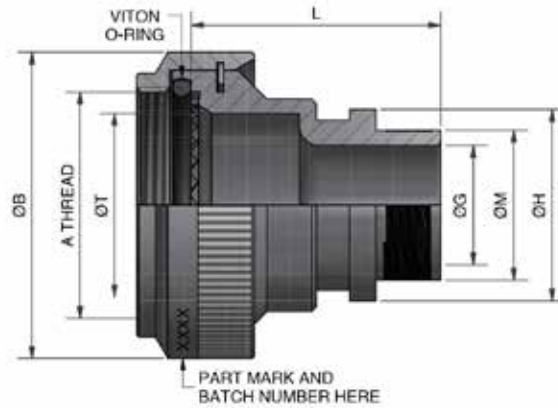
60 (SS) - Memory Ring Termination Stainless Steel

Interface H - MIL-DTL-38999 SERIES III & IV

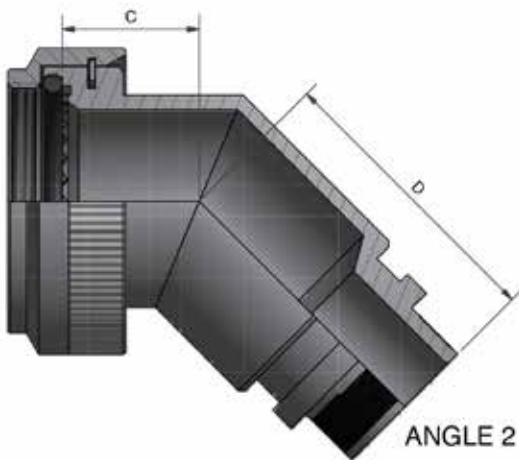


Interconnect Solutions Worldwide

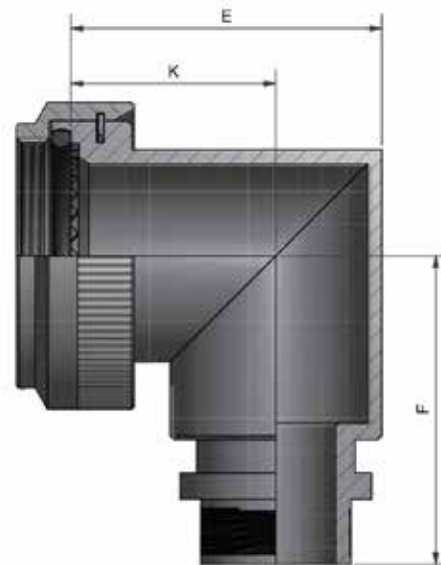
MEMORY RING



ANGLE 1



ANGLE 2



ANGLE 3



MEMORY METAL RING

DRAWING NOT TO SCALE, DIMENSIONS IN MM

SEE PAGES 18-26 FOR COMPLETE LIST OF AVAILABLE MATERIALS, FINISHES AND CONNECTOR INTERFACES
(DIMENSIONS, FORM AND O RING SUBJECT TO CHANGE DEPENDING ON BACKSHELL MATERIAL AND CONNECTOR INTERFACE)

60 (SS) - Memory Ring Termination Stainless Steel

Interface H - MIL-DTL-38999 SERIES III & IV



Interconnect Solutions Worldwide

TABLE 1

SHELL SIZE	A THREAD	ØB MAX	ØT MIN	C MAX	D MAX	E MAX	F MAX	K ±0,5
09	M12 x 1.0	18,0	6,7	13,1	26,8	21,4	26,4	16,3
11	M15 x 1.0	21,0	10,2	13,9	27,6	24,5	28,2	17,2
13	M18 x 1.0	24,5	13,5	14,5	28,0	28,5	29,7	19,4
15	M22 x 1.0	29,0	16,2	15,5	29,0	31,3	31,2	21,0
17	M25 x 1.0	32,5	19,4	16,1	29,8	34,4	32,9	22,8
19	M28 x 1.0	35,5	21,8	16,8	30,6	38,7	34,5	25,3
21	M31 x 1.0	37,0	25,1	17,1	30,9	40,9	36,1	26,1
23	M34 x 1.0	40,0	28,2	17,7	31,2	43,9	37,6	27,6
25	M37 x 1.0	43,5	31,4	18,4	32,1	46,6	39,1	29,1

TABLE 2

ENTRY SIZE	ØG MIN	ØH MAX	ØM MAX
04	6,3	14,3	9,5
05	7,9	15,8	11,1
06	9,5	17,4	12,7
07	11,1	19,0	14,3
08	12,7	20,6	15,9
10	15,8	23,8	19,0
12	19,0	27,0	22,2
14	22,2	30,1	25,4
16	25,4	33,3	28,6
18	28,5	36,5	31,8
20	31,7	39,7	34,9
22	34,9	42,8	38,1
24	38,1	46,0	41,3

TABLE 3

CODE	MATERIAL / FINISH
4-J	STAINLESS STEEL 303S31 / PASSIVATE
46-J	STAINLESS STEEL 316 / PASSIVATE

LIST NOT EXHAUSTIVE, SEE PLATING TABLE FOR OTHER OPTIONS

60H1-17-08-4-J-A-L35

SERIES _____
CONNECTOR INTERFACE _____
ANGLE _____
SHELL SIZE (TABLE 1) _____
ENTRY SIZE (TABLE 2) _____
MATERIAL (TABLE 3) _____
FINISH (TABLE 3) _____
RING OPTION _____
 A - RING TO SUIT SINGLE BRAID
 B - RING TO SUIT DOUBLE BRAID
 OMIT IF NO RING IS REQUIRED
LENGTH CODE IN mm (STRAIGHT ONLY) _____
 OMIT FOR STANDARD 26,50mm

For tooling and assembly instructions see www.polamco.com

Backshell supplied with Ring if specified in the part number
Sealing and strain relief achieved with Heat Shrink Boot (see page 354)
Adhesive if required for assembly (see page 352)
Screenbraid for EMC/RFI screening (see page 350)

DRAWING NOT TO SCALE, DIMENSIONS IN MM

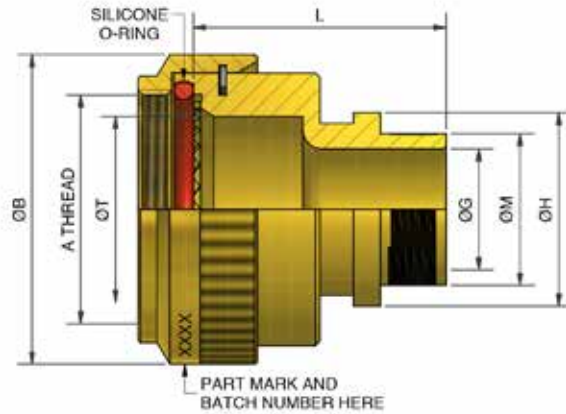
SEE PAGES 18-26 FOR COMPLETE LIST OF AVAILABLE MATERIALS, FINISHES AND CONNECTOR INTERFACES
(DIMENSIONS, FORM AND O RING SUBJECT TO CHANGE DEPENDING ON BACKSHELL MATERIAL AND CONNECTOR INTERFACE)

60 (NB) - Memory Ring Termination Nickel Aluminium Bronze

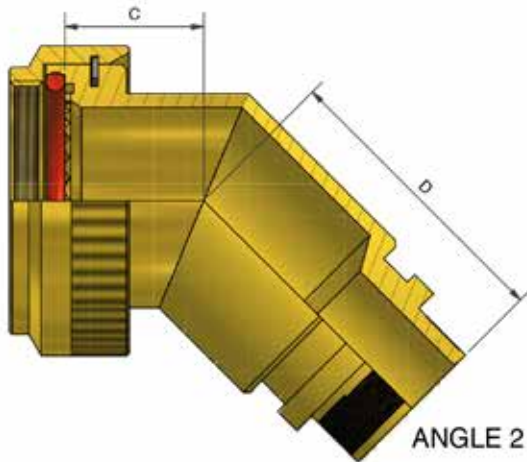
Interface H - MIL-DTL-38999 SERIES III & IV



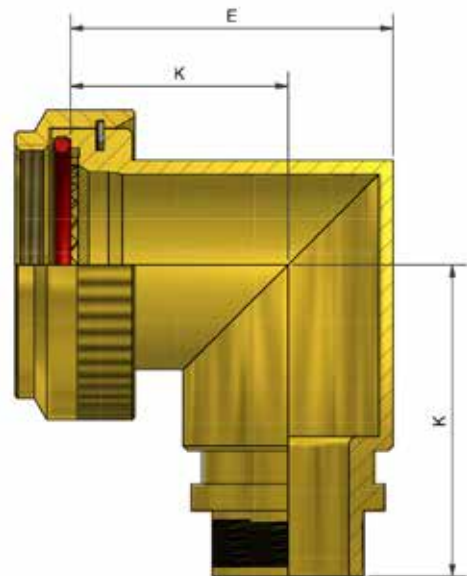
Interconnect Solutions Worldwide



ANGLE 1



ANGLE 2



ANGLE 3



DRAWING NOT TO SCALE, DIMENSIONS IN MM

SEE PAGES 18-26 FOR COMPLETE LIST OF AVAILABLE MATERIALS, FINISHES AND CONNECTOR INTERFACES
(DIMENSIONS, FORM AND O RING SUBJECT TO CHANGE DEPENDING ON BACKSHELL MATERIAL AND CONNECTOR INTERFACE)

60 (NB) - Memory Ring Termination Nickel Aluminium Bronze

Interface H - MIL-DTL-38999 SERIES III & IV



Interconnect Solutions Worldwide

TABLE 1

SHELL SIZE	A THREAD	ØB MAX	ØT MIN	C MAX	D MAX	E MAX	F MAX	K ±0,5
09	M12 x 1.0	18,0	6,7	13,1	26,8	21,4	26,4	16,3
11	M15 x 1.0	21,0	10,2	13,9	27,6	24,5	28,2	17,2
13	M18 x 1.0	24,5	13,5	14,5	28,0	28,5	29,7	19,4
15	M22 x 1.0	29,0	16,2	15,5	29,0	31,3	31,2	21,0
17	M25 x 1.0	32,5	19,4	16,1	29,8	34,4	32,9	22,8
19	M28 x 1.0	35,5	21,8	16,8	30,6	38,7	34,5	25,3
21	M31 x 1.0	37,0	25,1	17,1	30,9	40,9	36,1	26,1
23	M34 x 1.0	40,0	28,2	17,7	31,2	43,9	37,6	27,6
25	M37 x 1.0	43,5	31,4	18,4	32,1	46,6	39,1	29,1

TABLE 2

ENTRY SIZE	ØG MIN	ØH MAX	ØM MAX
04	6,3	14,3	9,5
05	7,9	15,8	11,1
06	9,5	17,4	12,7
07	11,1	19,0	14,3
08	12,7	20,6	15,9
10	15,8	23,8	19,0
12	19,0	27,0	22,2
14	22,2	30,1	25,4
16	25,4	33,3	28,6
18	28,5	36,5	31,8
20	31,7	39,7	34,9
22	34,9	42,8	38,1
24	38,1	46,0	41,3

MEMORY RING

60H1-17-08-2-Z-A-L35

SERIES _____
CONNECTOR INTERFACE _____
ANGLE _____
SHELL SIZE (TABLE 1) _____
ENTRY SIZE (TABLE 2) _____
MATERIAL _____
NICKEL ALUMINIUM BRONZE
FINISH _____
SHOT BLAST _____
RING OPTION _____
A - RING TO SUIT SINGLE BRAID
B - RING TO SUIT DOUBLE BRAID
OMIT IF NO RING IS REQUIRED
LENGTH CODE IN mm (STRAIGHT ONLY) _____
OMIT FOR STANDARD 26,50mm

For tooling and assembly instructions see www.polamco.com

Backshell supplied with Ring if specified in the part number
Sealing and strain relief achieved with Heat Shrink Boot (see page 354)
Adhesive if required for assembly (see page 352)
Screenbraid for EMC/RFI screening (see page 350)

DRAWING NOT TO SCALE, DIMENSIONS IN MM

SEE PAGES 18-26 FOR COMPLETE LIST OF AVAILABLE MATERIALS, FINISHES AND CONNECTOR INTERFACES
(DIMENSIONS, FORM AND O RING SUBJECT TO CHANGE DEPENDING ON BACKSHELL MATERIAL AND CONNECTOR INTERFACE)

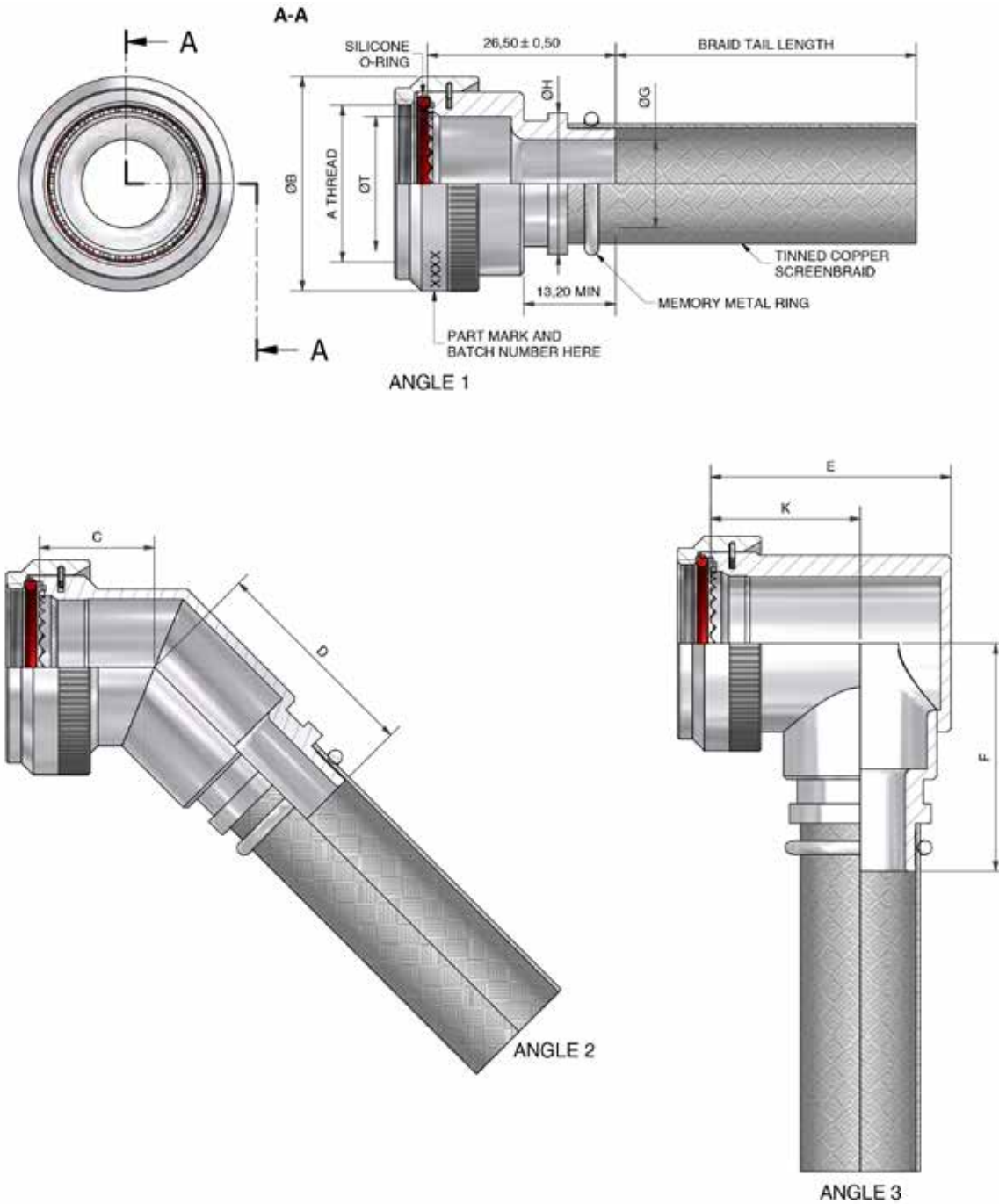
60F (T6) - Memory Ring Termination Pre-Terminated Braid Tail

Interface F - MIL-DTL-38999 SERIES I



Interconnect Solutions Worldwide

MEMORY RING



DRAWING NOT TO SCALE, DIMENSIONS IN MM

SEE PAGES 18-26 FOR COMPLETE LIST OF AVAILABLE MATERIALS, FINISHES AND CONNECTOR INTERFACES
(DIMENSIONS, FORM AND O RING SUBJECT TO CHANGE DEPENDING ON BACKSHELL MATERIAL AND CONNECTOR INTERFACE)

60F (T6) - Memory Ring Termination Pre-Terminated Braid Tail

Interface F - MIL-DTL-38999 SERIES I



Interconnect Solutions Worldwide

MEMORY RING

TABLE 1

SHELL SIZE	A THREAD	ØB MAX	ØT MIN	C ±0,5	D MAX	E MAX	F MAX	K ±0,5
09	7/16-28UNEF	18,0	6,8	16,4	26,8	22,7	26,5	15,0
11	9/16-24UNEF	21,0	10,2	17,2	27,6	26,2	28,2	17,0
13	11/16-24UNEF	24,5	13,1	17,6	28,0	29,2	29,7	18,0
15	13/16-20UNEF	27,8	16,2	18,5	29,0	32,2	31,2	20,0
17	15/16-20UNEF	30,8	19,3	19,2	29,8	35,7	32,9	21,5
19	1 1/16-18UNEF	34,1	22,3	19,6	30,6	39,7	34,5	23,0
21	1 3/16-18UNEF	37,3	25,8	20,4	30,9	42,2	36,1	25,0
23	1 5/16-18UNEF	41,0	28,3	20,8	31,2	45,2	37,6	26,0
25	1 7/16-18UNEF	43,7	31,5	21,7	32,1	48,2	39,1	28,0

TABLE 2

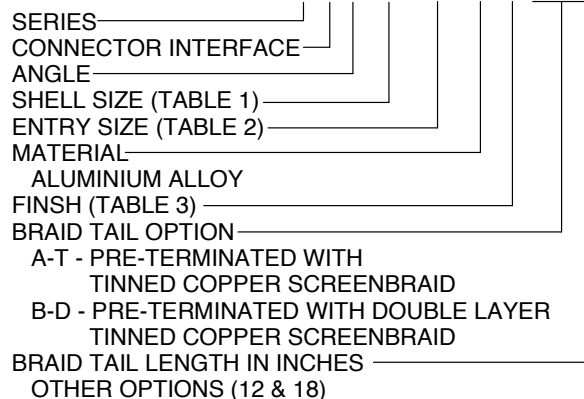
ENTRY SIZE	ØG MIN	ØH MAX	ØM MAX
04	6,3	14,3	9,5
05	7,9	15,8	11,1
06	9,5	17,4	12,7
07	11,1	19,0	14,3
08	12,7	20,6	15,9
10	15,8	23,8	19,0
12	19,0	27,0	22,2
14	22,2	30,1	25,4
16	25,4	33,3	28,6
18	28,5	36,5	31,8
20	31,7	39,7	34,9
22	34,9	42,8	38,1
24	38,1	46,0	41,3

TABLE 3

CODE	FINISH
C	ELECTROLESS NICKEL
B	CADMIUM OLIVE DRAB OVER ELECTROLESS NICKEL
ZB	ZINC COBALT OLIVE DRAB OVER ELECTROLESS NICKEL
ZN	ZINC NICKEL BLACK PASSIVATE OVER ELECTROLESS NICKEL

LIST NOT EXHAUSTIVE, SEE PLATING TABLE FOR OTHER OPTIONS

60F1-17-08-1-C-A-T6



For tooling and assembly instructions see www.polamco.com

Backshell supplied pre-terminated with memory ring and braid tail, which is attached to cable braid
Sealing and strain relief achieved with Heat Shrink Boot (see page 354)
Adhesive if required for assembly (see page 352)
Screenbraid for EMC/RFI screening (see page 350)

DRAWING NOT TO SCALE, DIMENSIONS IN MM

SEE PAGES 18-26 FOR COMPLETE LIST OF AVAILABLE MATERIALS, FINISHES AND CONNECTOR INTERFACES
(DIMENSIONS, FORM AND O RING SUBJECT TO CHANGE DEPENDING ON BACKSHELL MATERIAL AND CONNECTOR INTERFACE)

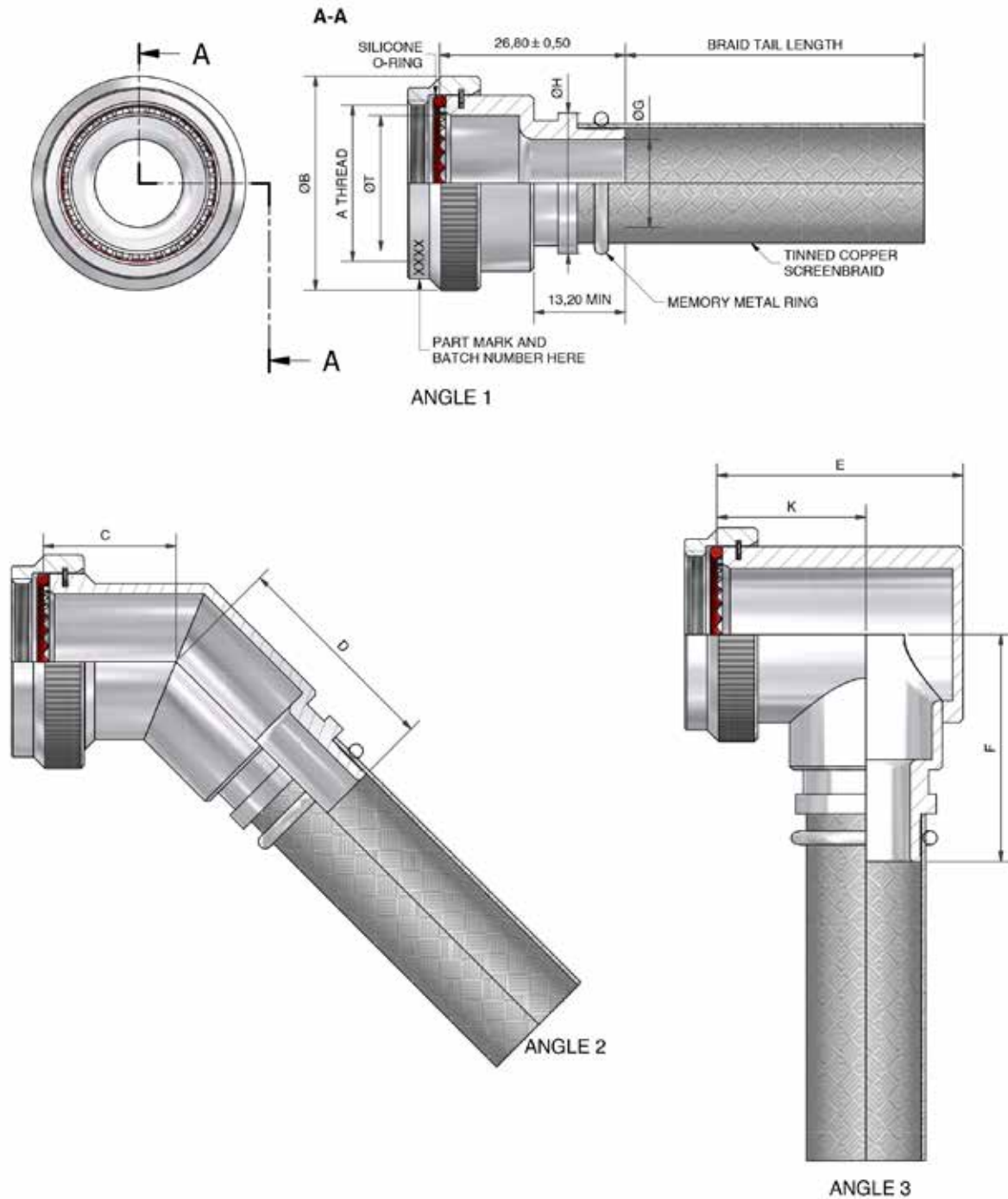
60F (T6) - Memory Ring Termination Pre-Terminated Braid Tail

Interface F - MIL-DTL-38999 SERIES II



Interconnect Solutions Worldwide

MEMORY RING



DRAWING NOT TO SCALE, DIMENSIONS IN MM

SEE PAGES 18-26 FOR COMPLETE LIST OF AVAILABLE MATERIALS, FINISHES AND CONNECTOR INTERFACES
(DIMENSIONS, FORM AND O RING SUBJECT TO CHANGE DEPENDING ON BACKSHELL MATERIAL AND CONNECTOR INTERFACE)

60F (T6) - Memory Ring Termination Pre-Terminated Braid Tail

Interface F - MIL-DTL-38999 SERIES II



Interconnect Solutions Worldwide

TABLE 1

SHELL SIZE	A THREAD	ØB MAX	ØT MIN	C ±0,5	D MAX	E MAX	F MAX	K ±0,5
08	7/16-28UNEF	18,3	6,6	16,4	20,6	22,7	26,5	15,0
10	9/16-24UNEF	21,5	10,1	17,2	21,4	26,2	28,2	17,0
12	11/16-24UNEF	24,5	12,9	17,6	22,3	29,2	29,7	18,0
14	13/16-20UNEF	27,8	16,1	18,5	22,7	32,2	31,2	20,0
16	15/16-20UNEF	30,8	19,3	19,2	23,5	35,7	32,9	21,5
18	1 1/16-18UNEF	34,1	21,7	19,6	23,8	39,7	34,5	23,0
20	1 3/16-18UNEF	37,3	24,9	20,4	24,6	42,2	36,1	25,0
22	1 5/16-18UNEF	40,5	28,1	20,8	25,5	45,2	37,6	26,0
24	1 7/16-18UNEF	43,7	31,3	21,7	25,9	48,2	39,1	28,0

TABLE 2

ENTRY SIZE	ØG MIN	ØH MAX	ØM MAX
04	6,3	14,3	9,5
05	7,9	15,8	11,1
06	9,5	17,4	12,7
07	11,1	19,0	14,3
08	12,7	20,6	15,9
10	15,8	23,8	19,0
12	19,0	27,0	22,2
14	22,2	30,1	25,4
16	25,4	33,3	28,6
18	28,5	36,5	31,8
20	31,7	39,7	34,9
22	34,9	42,8	38,1
24	38,1	46,0	41,3

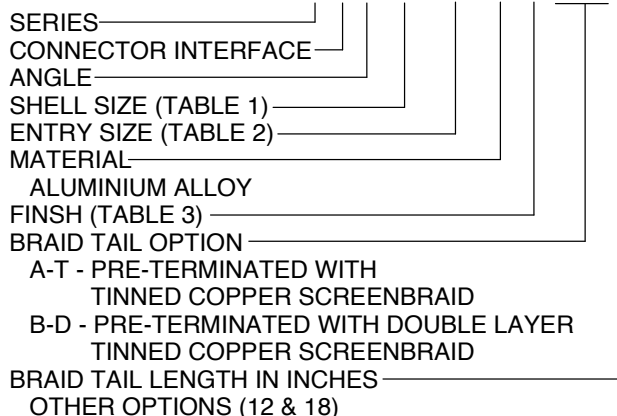
TABLE 3

CODE	FINISH
C	ELECTROLESS NICKEL
B	CADMIUM OLIVE DRAB OVER ELECTROLESS NICKEL
ZB	ZINC COBALT OLIVE DRAB OVER ELECTROLESS NICKEL
ZN	ZINC NICKEL BLACK PASSIVATE OVER ELECTROLESS NICKEL

LIST NOT EXHAUSTIVE, SEE PLATING TABLE FOR OTHER OPTIONS

MEMORY RING

60F1-16-08-1-C-A-T6



For tooling and assembly instructions see www.polamco.com

Backshell supplied pre-terminated with memory ring and braid tail, which is attached to cable braid
 Sealing and strain relief achieved with Heat Shrink Boot (see page 354)
 Adhesive if required for assembly (see page 352)
 Screenbraid for EMC/RFI screening (see page 350)

DRAWING NOT TO SCALE, DIMENSIONS IN MM

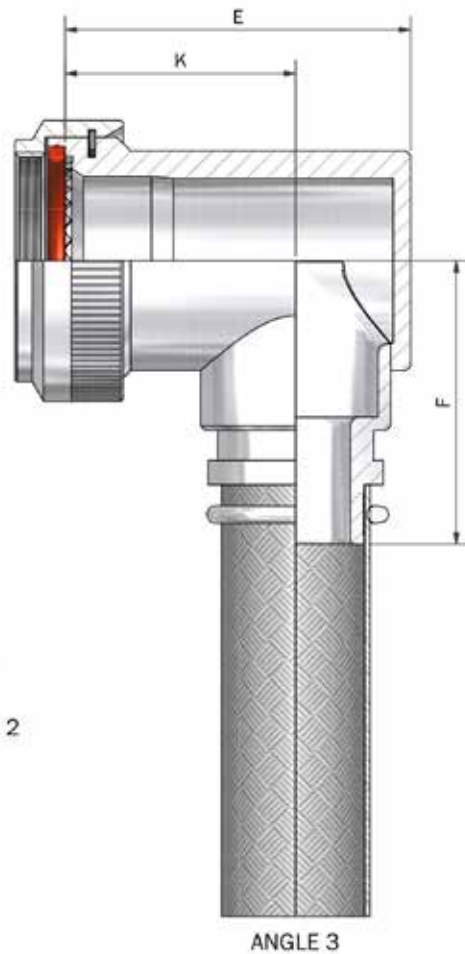
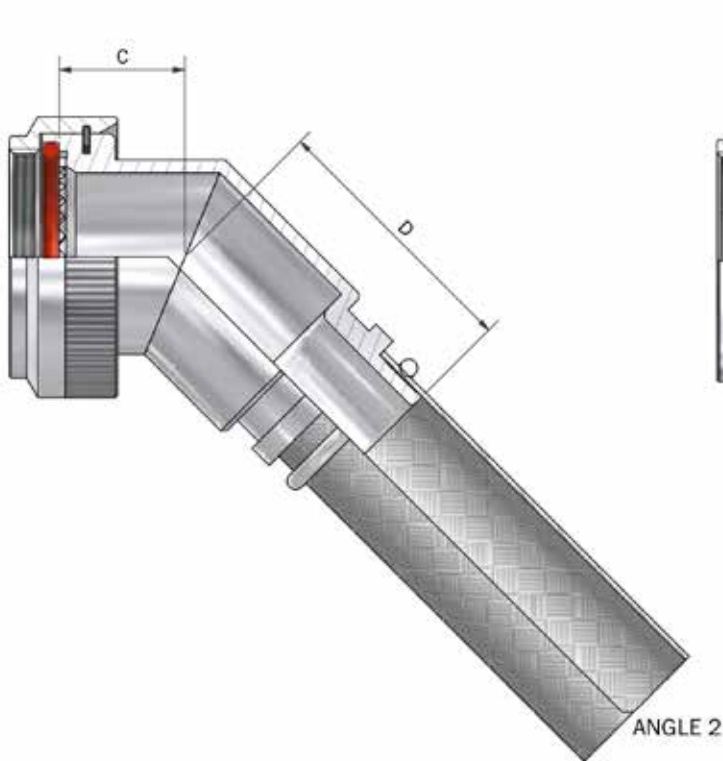
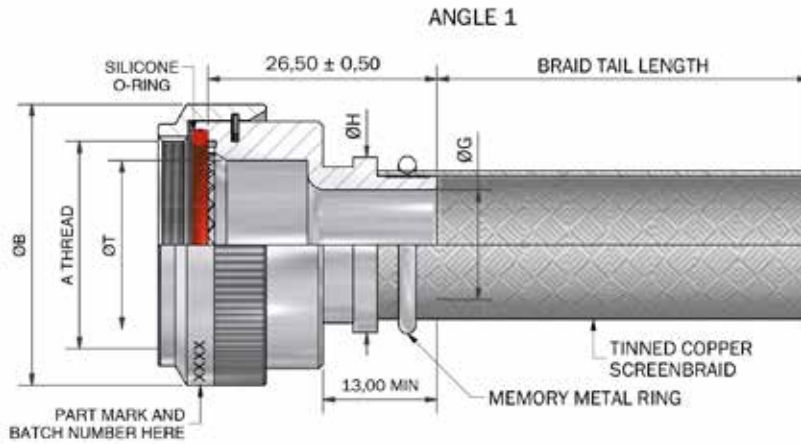
SEE PAGES 18-26 FOR COMPLETE LIST OF AVAILABLE MATERIALS, FINISHES AND CONNECTOR INTERFACES
 (DIMENSIONS, FORM AND O RING SUBJECT TO CHANGE DEPENDING ON BACKSHELL MATERIAL AND CONNECTOR INTERFACE)

60H (T6) - Memory Ring Termination Pre-Terminated Braid Tail

Interface H - MIL-DTL-38999 SERIES III & IV



Interconnect Solutions Worldwide



DRAWING NOT TO SCALE, DIMENSIONS IN MM

SEE PAGES 18-26 FOR COMPLETE LIST OF AVAILABLE MATERIALS, FINISHES AND CONNECTOR INTERFACES
(DIMENSIONS, FORM AND O RING SUBJECT TO CHANGE DEPENDING ON BACKSHELL MATERIAL AND CONNECTOR INTERFACE)

60H (T6) - Memory Ring Termination Pre-Terminated Braid Tail

Interface H - MIL-DTL-38999 SERIES III & IV



Interconnect Solutions Worldwide

TABLE 1

SHELL SIZE	A THREAD	ØB MAX	ØT MIN	C MAX	D MAX	E MAX	F MAX	K ±0,5	J MAX	F' MAX	MAX ENTRY FOR LOW PROFILE OPTION
09	M12 x 1.0	18,0	6,7	13,1	26,8	25,7	26,4	17,5	18,0	27,4	04
11	M15 x 1.0	21,0	10,2	13,9	27,6	26,7	28,2	17,5	22,0	29,2	05
13	M18 x 1.0	24,5	13,5	14,5	28,0	31,2	29,7	20,0	22,0	30,7	06
15	M22 x 1.0	29,0	16,2	15,5	29,0	37,2	31,2	24,5	25,0	32,2	07
17	M25 x 1.0	32,5	19,4	16,1	29,8	40,2	32,9	26,7	27,0	33,9	08
19	M28 x 1.0	35,5	21,8	16,8	30,6	44,7	34,5	27,0	28,0	35,7	10
21	M31 x 1.0	37,0	25,1	17,1	30,9	49,2	36,1	30,5	29,0	37,1	10
23	M34 x 1.0	40,0	28,2	17,7	31,2	51,7	37,6	31,5	31,7	38,6	10
25	M37 x 1.0	43,5	31,4	18,4	32,1	53,2	39,1	28,5	31,7	40,1	10

TABLE 2

ENTRY SIZE	ØG MIN	ØH MAX
04	6,3	14,3
05	7,9	15,8
06	9,5	17,4
07	11,1	19,0
08	12,7	20,6
10	15,8	23,8
12	19,0	27,0
14	22,2	30,1
16	25,4	33,3
18	28,5	36,5
20	31,7	39,7
22	34,9	42,8
24	38,1	46,0

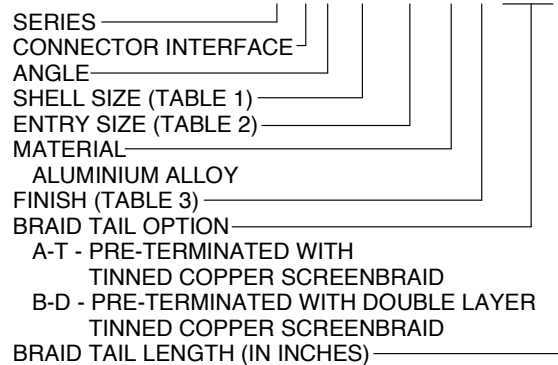
TABLE 3

CODE	FINISH
C	ELECTROLESS NICKEL
B	CADMIUM OLIVE DRAB OVER ELECTROLESS NICKEL
ZB	ZINC COBALT OLIVE DRAB OVER ELECTROLESS NICKEL
ZN	ZINC NICKEL BLACK PASSIVATE OVER ELECTROLESS NICKEL

LIST NOT EXHAUSTIVE, SEE PLATING TABLE FOR OTHER OPTIONS

MEMORY RING

60H1-17-08-1-C-A-T6



For tooling and assembly instructions see www.polamco.com

Backshell supplied pre-terminated with memory ring and braid tail, which is attached to cable braid
Sealing and strain relief achieved with Heat Shrink Boot (see page 354)
Adhesive if required for assembly (see page 352)
Screenbraid for EMC/RFI screening (see page 350)

DRAWING NOT TO SCALE, DIMENSIONS IN MM

SEE PAGES 18-26 FOR COMPLETE LIST OF AVAILABLE MATERIALS, FINISHES AND CONNECTOR INTERFACES
(DIMENSIONS, FORM AND O RING SUBJECT TO CHANGE DEPENDING ON BACKSHELL MATERIAL AND CONNECTOR INTERFACE)

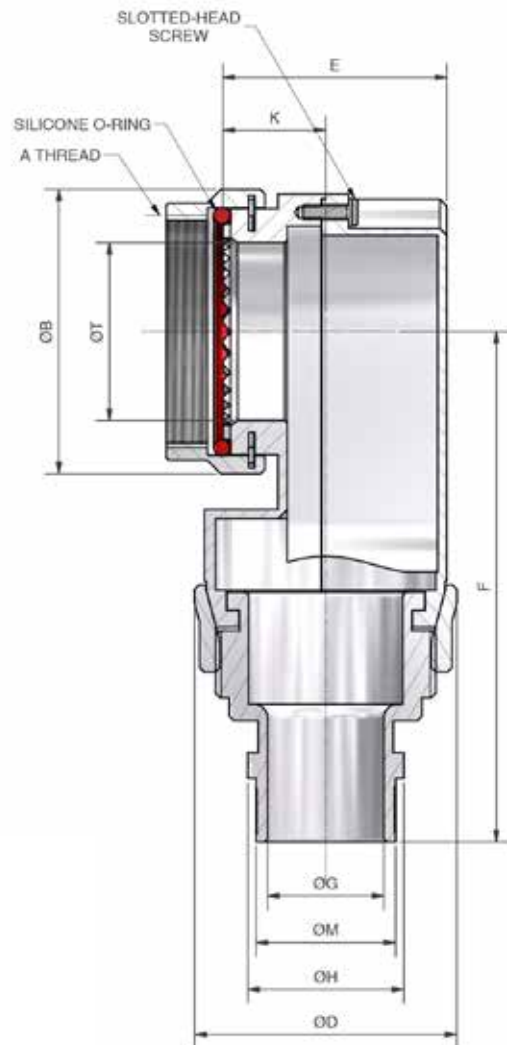
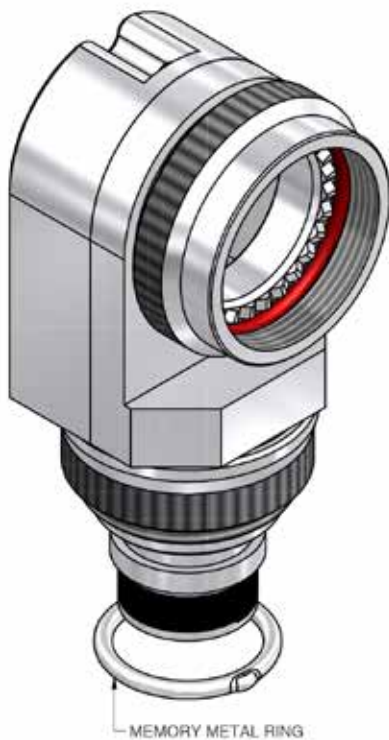
60H3C - Memory Ring Termination Cobra Head

Interface H - MIL-DTL-38999 SERIES III & IV



Interconnect Solutions Worldwide

MEMORY RING



DRAWING NOT TO SCALE, DIMENSIONS IN MM

SEE PAGES 18-26 FOR COMPLETE LIST OF AVAILABLE MATERIALS, FINISHES AND CONNECTOR INTERFACES
(DIMENSIONS, FORM AND O RING SUBJECT TO CHANGE DEPENDING ON BACKSHELL MATERIAL AND CONNECTOR INTERFACE)

60H3C - Memory Ring Termination Cobra Head

Interface H - MIL-DTL-38999 SERIES III & IV



Interconnect Solutions Worldwide

MEMORY RING

TABLE 1

SHELL SIZE	A THREAD	ØB MAX	T MIN	ØD MAX	E MAX	F MAX	K +/-0,5	MAX ENTRY
09	M12 x 1.0	18,0	6,7	18,7	17,7	45,8	8,7	04
11	M15 x 1.0	21,0	10,2	21,7	19,0	49,9	8,7	06
13	M18 x 1.0	24,5	13,5	24,7	22,1	49,9	8,7	08
15	M22 x 1.0	27,5	16,2	24,7	22,1	53,7	10,2	08
17	M25 x 1.0	31,0	19,4	28,7	25,1	56,0	11,2	10
19	M28 x 1.0	34,0	21,8	28,7	25,1	58,7	11,2	10
21	M31 x 1.0	37,0	25,1	28,7	25,1	59,7	11,2	10
23	M34 x 1.0	40,0	28,2	31,7	28,1	62,2	12,7	12
25	M37 x 1.0	43,5	31,4	31,7	28,1	63,7	12,7	12

TABLE 2

ENTRY SIZE	ØG MIN	ØM MAX	ØH MAX
04	6,4	9,5	14,3
05	7,9	11,1	15,8
06	9,5	12,7	17,4
07	11,1	14,3	19,0
08	12,7	15,9	20,6
10	15,9	19,1	23,8
12	19,1	22,2	27,0

TABLE 3

CODE	MATERIAL / PLATING
1-C	ALUMINIUM / ELECTROLESS NICKEL
1-B	ALUMINIUM / CADMIUM OLIVE DRAB OVER ELECTROLESS NICKEL
1-ZB	ALUMINIUM / ZINC COBALT OLIVE DRAB OVER ELECTROLESS NICKEL
4-J	STAINLESS STEEL / PASSIVATE
2-Z	NICKEL ALUMINIUM BRONZE / SHOT BLAST NON REFLECTIVE

LIST NOT EXHAUSTIVE, SEE PLATING TABLE FOR OTHER OPTIONS

60H3C-17-08-1-C-A

SERIES
CONNECTOR INTERFACE
ANGLE (3 - 90°)
COBRA HEAD STYLE
SHELL SIZE (TABLE 1)
ENTRY SIZE (TABLE 2)
MATERIAL (TABLE 3)
PLATING (TABLE 3)
RING OPTION
A - RING TO SUIT SINGLE BRAID
B - RING TO SUIT DOUBLE BRAID
OMIT IF NO RING IS REQUIRED

For tooling and assembly instructions see www.polamco.com

Backshell supplied with Ring if specified in the part number
Sealing and strain relief achieved with Heat Shrink Boot (see page 354)
Adhesive if required for assembly (see page 352)
Screenbraid for EMC/RFI screening (see page 350)

DRAWING NOT TO SCALE, DIMENSIONS IN MM

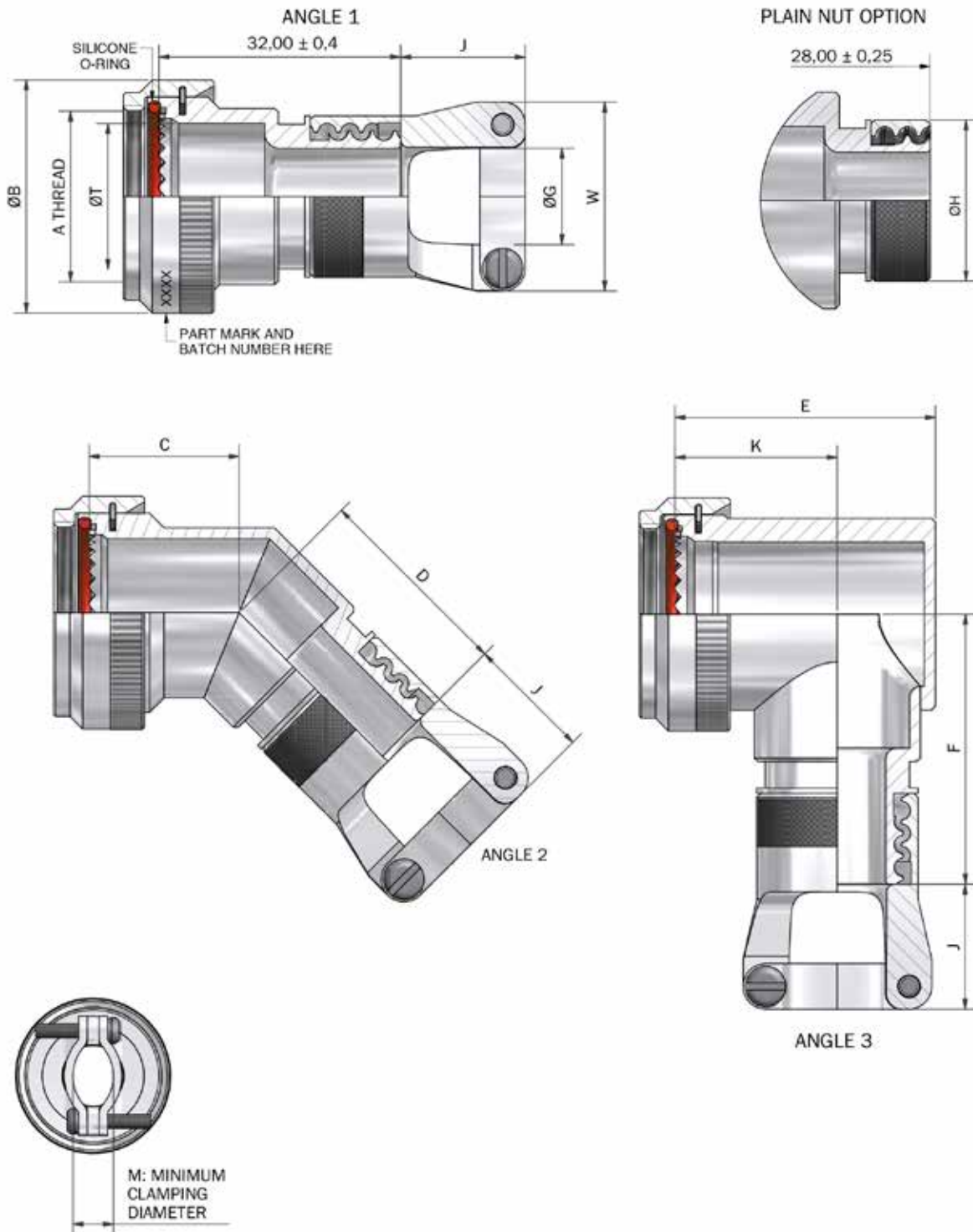
SEE PAGES 18-26 FOR COMPLETE LIST OF AVAILABLE MATERIALS, FINISHES AND CONNECTOR INTERFACES
(DIMENSIONS, FORM AND O RING SUBJECT TO CHANGE DEPENDING ON BACKSHELL MATERIAL AND CONNECTOR INTERFACE)

95F - Braid Trap Termination

Interface F - MIL-DTL-38999 SERIES I



Interconnect Solutions Worldwide



DRAWING NOT TO SCALE, DIMENSIONS IN MM

SEE PAGES 18-26 FOR COMPLETE LIST OF AVAILABLE MATERIALS, FINISHES AND CONNECTOR INTERFACES (DIMENSIONS, FORM AND O RING SUBJECT TO CHANGE DEPENDING ON BACKSHELL MATERIAL AND CONNECTOR INTERFACE)

95F - Braid Trap Termination

Interface F - MIL-DTL-38999 SERIES I



Interconnect Solutions Worldwide

TABLE 1

SHELL SIZE	A THREAD	ØB MAX	ØT MIN	C ±0,5	D MAX	D PLAIN NUT	E MAX	F MAX	F PLAIN NUT	K ±0,5
09	7/16-28 UNEF	18,0	6,8	16,4	23,9	19,9	22,7	30,5	26,5	15,0
11	9/16-24 UNEF	21,0	10,2	17,2	24,6	20,6	26,2	32,2	28,2	17,0
13	11/16-24 UNEF	24,5	13,1	17,6	25,0	21,0	29,2	33,7	32,7	18,0
15	13/16-20 UNEF	27,8	16,2	18,5	25,9	21,9	32,2	35,2	31,2	20,0
17	15/16-20 UNEF	30,8	19,3	19,2	26,7	22,7	35,7	36,9	32,9	21,5
19	1 1/16-18 UNEF	34,1	22,3	19,6	27,0	23,0	39,7	38,5	34,6	23,0
21	1 3/16-18 UNEF	37,3	25,8	20,4	27,9	23,9	42,2	40,1	36,2	25,0
23	1 5/16-18 UNEF	41,0	28,3	20,8	28,3	24,3	45,2	41,6	37,6	26,0
25	1 7/16-18 UNEF	43,7	31,5	21,7	29,1	25,1	48,2	43,1	39,1	28,0

TABLE 2

ENTRY SIZE	ØG MIN	W MAX	ØH MAX	J MAX	M +/- 0,5
03	4,7	17,3	15,2	12,7	5,8
04	6,3	18,9	15,2	12,7	5,7
05	7,9	20,5	16,8	12,7	6,8
06	9,5	22,1	18,4	12,7	6,9
07	11,1	23,6	20,0	12,7	8,1
08	12,7	25,1	21,6	15,7	8,5
09	14,2	26,8	23,2	15,7	9,7
10	15,8	28,4	24,8	15,7	10,4
11	17,4	30,1	26,4	18,7	11,5
12	19,0	31,6	27,9	18,7	11,4
13	20,6	33,1	29,5	18,7	14,0
14	22,2	34,8	31,1	21,7	15,4
15	23,8	36,5	32,7	21,7	16,8
16	25,4	37,9	34,3	21,7	17,3
17	27,0	39,5	35,9	21,7	18,8
18	28,6	41,1	37,5	21,7	19,5
19	30,2	42,7	39,3	23,2	25,9
20	31,8	44,3	40,6	23,2	23,4
21	33,3	45,8	42,2	23,2	24,8
22	35,0	N/A	43,8	N/A	N/A
23	36,5	47,4	45,4	23,2	25,4
24	38,1	50,9	47,0	23,2	27,4

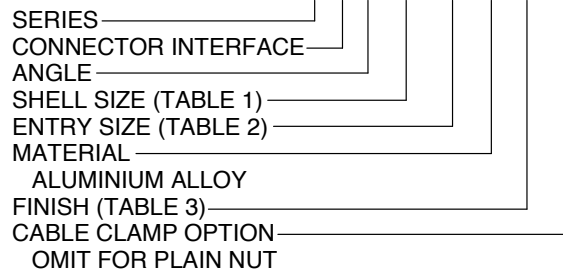
BRAID TRAP

TABLE 3

CODE	FINISH
C	ELECTROLESS NICKEL
B	CADMIUM OLIVE DRAB OVER ELECTROLESS NICKEL
ZB	ZINC COBALT OLIVE DRAB OVER ELECTROLESS NICKEL
ZN	ZINC NICKEL BLACK PASSIVATE OVER ELECTROLESS NICKEL

LIST NOT EXHAUSTIVE, SEE PLATING TABLE FOR OTHER OPTIONS

95F1-17-08-1-C-CC



For tooling and assembly instructions see www.polamco.com

Sealing and strain relief achieved with Heat Shrink Boot (see page 354)
 Adhesive if required for assembly (see page 352)
 Screenbraid for EMC/RFI screening (see page 350)

DRAWING NOT TO SCALE, DIMENSIONS IN MM

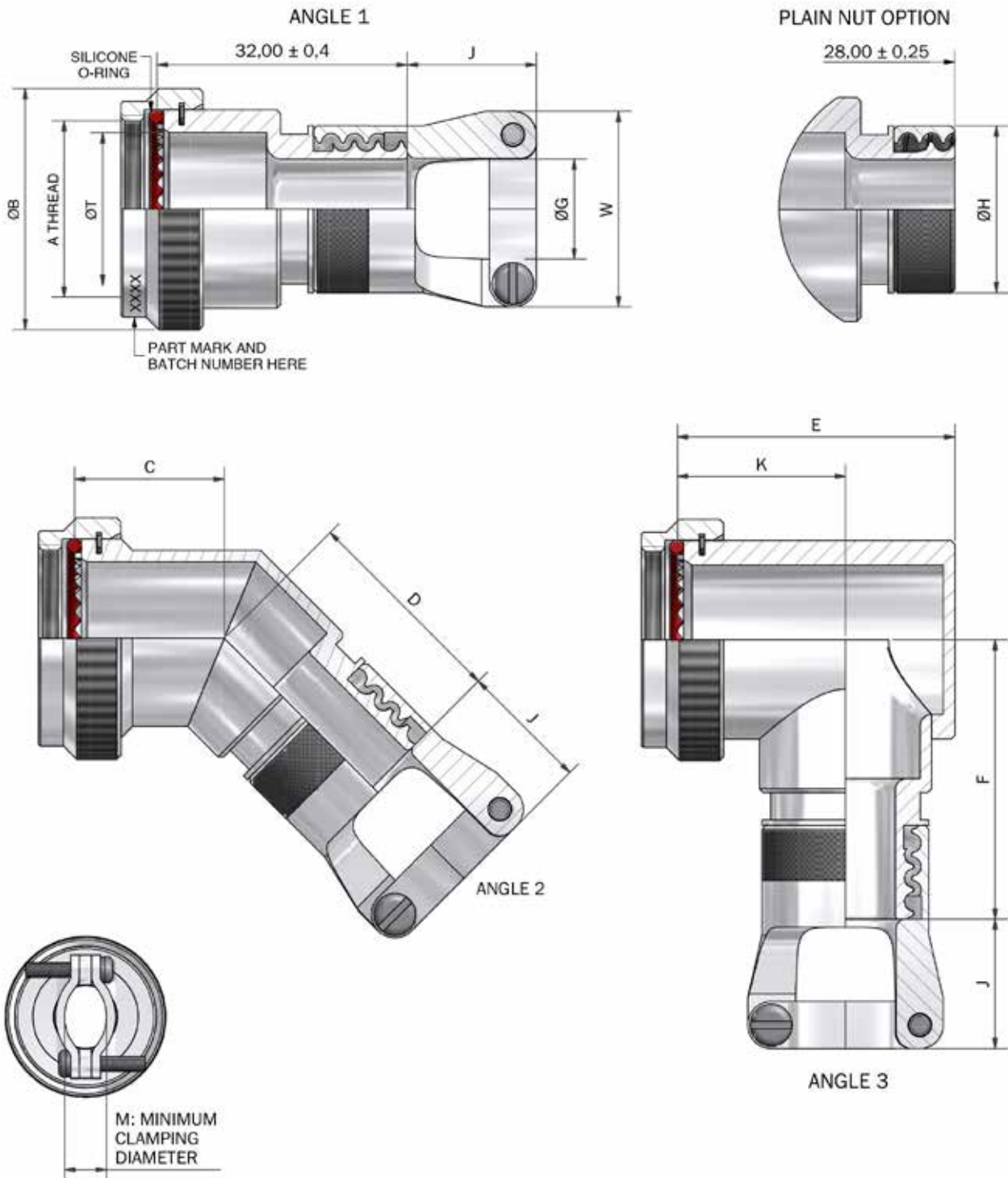
SEE PAGES 18-26 FOR COMPLETE LIST OF AVAILABLE MATERIALS, FINISHES AND CONNECTOR INTERFACES
 (DIMENSIONS, FORM AND O RING SUBJECT TO CHANGE DEPENDING ON BACKSHELL MATERIAL AND CONNECTOR INTERFACE)

95F - Braid Trap Termination

Interface F - MIL-DTL-38999 SERIES II



Interconnect Solutions Worldwide



BRAID TRAP

DRAWING NOT TO SCALE, DIMENSIONS IN MM

SEE PAGES 18-26 FOR COMPLETE LIST OF AVAILABLE MATERIALS, FINISHES AND CONNECTOR INTERFACES (DIMENSIONS, FORM AND O RING SUBJECT TO CHANGE DEPENDING ON BACKSHELL MATERIAL AND CONNECTOR INTERFACE)

95F - Braid Trap Termination

Interface F - MIL-DTL-38999 SERIES II



Interconnect Solutions Worldwide

TABLE 1

SHELL SIZE	A THREAD	ØB MAX	ØT MIN	C ±0,5	D MAX	D PLAIN NUT	E MAX	F MAX	F PLAIN NUT	K ±0,5
08	7/16-28 UNEF	18,3	6,6	16,4	23,9	19,9	22,7	30,5	26,5	15,0
10	9/16-24 UNEF	21,5	10,1	17,2	24,6	20,6	26,2	32,2	28,2	17,0
12	11/16-24 UNEF	24,5	12,9	17,6	25,0	21,0	29,2	33,7	32,7	18,0
14	13/16-20 UNEF	27,8	16,1	18,5	25,9	21,9	32,2	35,2	31,2	20,0
16	15/16-20 UNEF	30,8	19,3	19,2	26,7	22,7	35,7	36,9	32,9	21,5
18	1 1/16-18 UNEF	34,1	21,7	19,6	27,0	23,0	39,7	38,5	34,6	23,0
20	1 3/16-18 UNEF	37,3	24,9	20,4	27,9	23,9	42,2	40,1	36,2	25,0
22	1 5/16-18 UNEF	40,5	28,1	20,8	28,3	24,3	45,2	41,6	37,6	26,0
24	1 7/16-18 UNEF	43,7	31,3	21,7	29,1	25,1	48,2	43,1	39,1	28,0

TABLE 2

ENTRY SIZE	ØG MIN	W MAX	ØH MAX	J MAX	M ±0,5
03	4,7	17,3	15,2	12,7	5,8
04	6,3	18,9	15,2	12,7	5,7
05	7,9	20,5	16,8	12,7	6,8
06	9,5	22,1	18,4	12,7	6,9
07	11,1	23,6	20,0	12,7	8,1
08	12,7	25,1	21,6	15,7	8,5
09	14,2	26,8	23,2	15,7	9,7
10	15,8	28,4	24,8	15,7	10,4
11	17,4	30,1	26,4	18,7	11,5
12	19,0	31,6	27,9	18,7	11,4
13	20,6	33,1	29,5	18,7	14,0
14	22,2	34,8	31,1	21,7	15,4
15	23,8	36,5	32,7	21,7	16,8
16	25,4	37,9	34,3	21,7	17,3
17	27,0	39,5	35,9	21,7	18,8
18	28,6	41,1	37,5	21,7	19,5
19	30,2	42,7	39,3	23,2	25,9
20	31,8	44,3	40,6	23,2	23,4
21	33,3	45,8	42,2	23,2	24,8
22	35,0	N/A	43,8	N/A	N/A
23	36,5	47,4	45,4	23,2	25,4
24	38,1	50,9	47,0	23,2	27,4

TABLE 3

CODE	FINISH
C	ELECTROLESS NICKEL
B	CADMIUM OLIVE DRAB OVER ELECTROLESS NICKEL
ZB	ZINC COBALT OLIVE DRAB OVER ELECTROLESS NICKEL
ZN	ZINC NICKEL BLACK PASSIVATE OVER ELECTROLESS NICKEL

LIST NOT EXHAUSTIVE, SEE PLATING TABLE FOR OTHER OPTIONS

95F1-16-08-1-C-CC

SERIES _____
 CONNECTOR INTERFACE _____
 ANGLE _____
 SHELL SIZE (TABLE 1) _____
 ENTRY SIZE (TABLE 2) _____
 MATERIAL _____
 ALUMINIUM ALLOY _____
 FINISH (TABLE 3) _____
 CABLE CLAMP OPTION _____
 OMIT FOR PLAIN NUT _____

For tooling and assembly instructions see www.polamco.com

Sealing and strain relief achieved with Heat Shrink Boot (see page 354)

Adhesive if required for assembly (see page 352)

Screenbraid for EMC/RFI screening (see page 350)

DRAWING NOT TO SCALE, DIMENSIONS IN MM

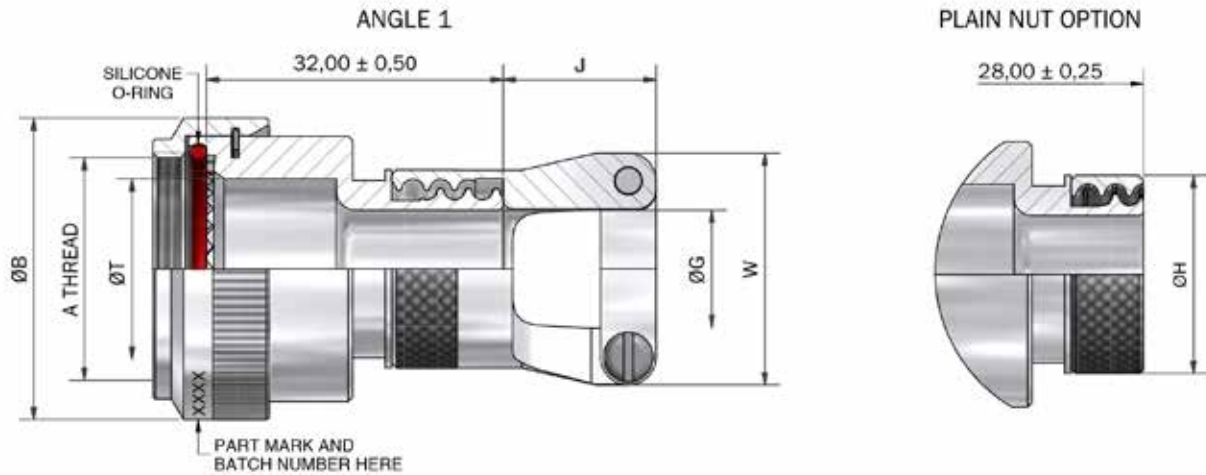
SEE PAGES 18-26 FOR COMPLETE LIST OF AVAILABLE MATERIALS, FINISHES AND CONNECTOR INTERFACES (DIMENSIONS, FORM AND O RING SUBJECT TO CHANGE DEPENDING ON BACKSHELL MATERIAL AND CONNECTOR INTERFACE)

95H - Braid Trap Termination

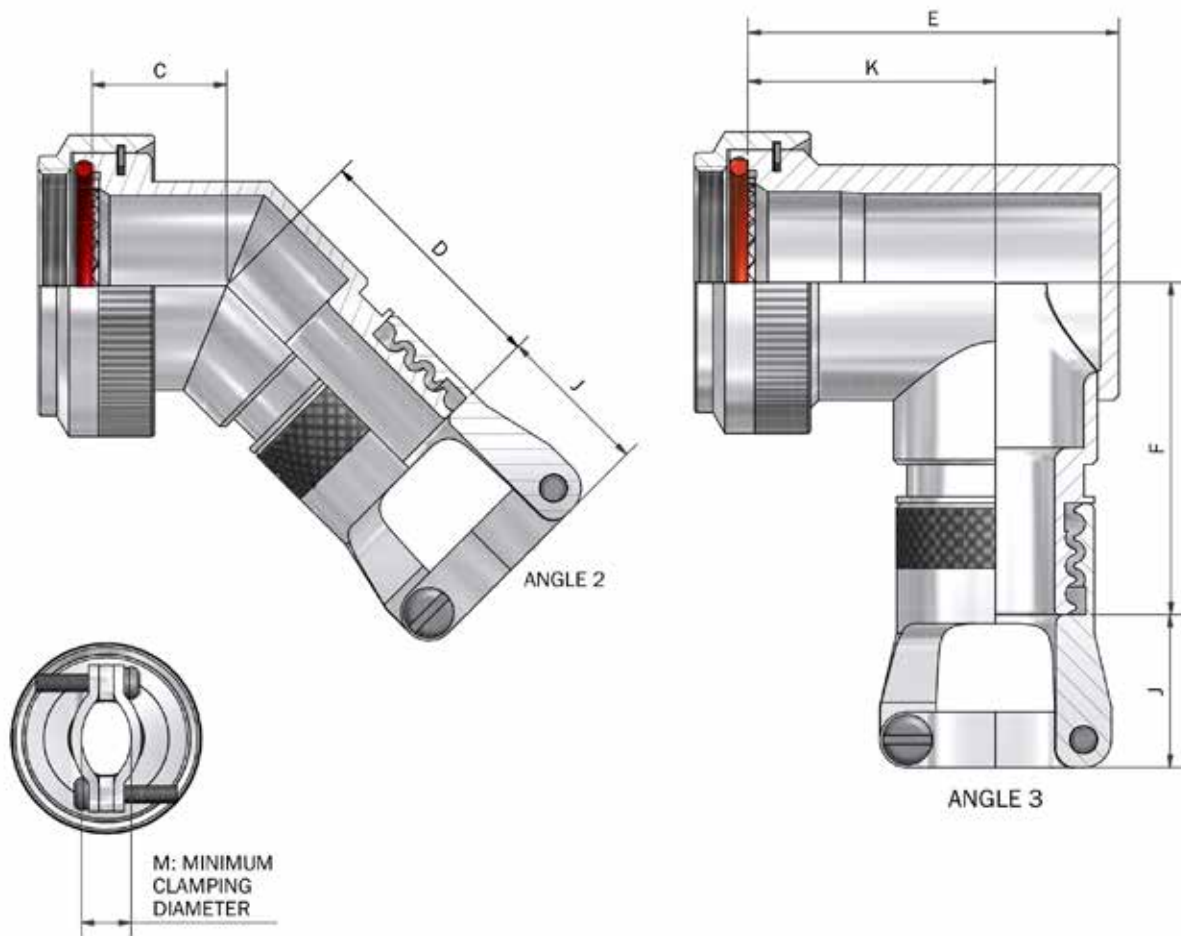
Interface H - MIL-DTL-38999 SERIES III & IV



Interconnect Solutions Worldwide



BRAID TRAP



DRAWING NOT TO SCALE, DIMENSIONS IN MM

SEE PAGES 18-26 FOR COMPLETE LIST OF AVAILABLE MATERIALS, FINISHES AND CONNECTOR INTERFACES (DIMENSIONS, FORM AND O RING SUBJECT TO CHANGE DEPENDING ON BACKSHELL MATERIAL AND CONNECTOR INTERFACE)

95H - Braid Trap Termination

Interface H - MIL-DTL-38999 SERIES III & IV



Interconnect Solutions Worldwide

TABLE 1

SHELL SIZE	A THREAD	ØB MAX	ØT MIN	C MAX	D MAX	D PLAIN NUT	E MAX	F MAX	F PLAIN NUT	K ±0,5
09	M12 x 1.0	18,0	6,7	13,1	24,5	20,5	25,7	30,5	26,5	17,5
11	M15 x 1.0	21,0	10,2	13,9	25,3	21,3	26,7	32,2	28,2	17,5
13	M18 x 1.0	24,5	13,5	14,5	25,6	21,6	31,2	33,7	32,7	20,0
15	M22 x 1.0	29,0	16,2	15,5	26,5	22,5	37,2	35,2	31,2	24,5
17	M25 x 1.0	32,5	19,4	16,1	27,4	23,4	40,2	36,9	32,9	26,7
19	M28 x 1.0	35,5	21,8	16,8	27,9	23,9	44,7	38,5	34,6	27,0
21	M31 x 1.0	37,0	25,1	17,1	28,7	24,7	49,2	40,1	36,2	30,5
23	M34 x 1.0	40,0	28,2	17,7	29,1	25,1	51,7	41,6	37,6	31,5
25	M37 x 1.0	43,5	31,4	18,4	29,9	25,9	53,2	43,1	39,1	28,5

TABLE 2

ENTRY SIZE	ØG MIN	W MAX	ØH MAX	J MAX	M ±0,5
03	4,7	17,3	15,2	12,7	5,8
04	6,3	18,9	15,2	12,7	5,7
05	7,9	20,5	16,8	12,7	6,8
06	9,5	22,1	18,4	12,7	6,9
07	11,1	23,6	20,0	12,7	8,1
08	12,7	25,1	21,6	15,7	8,5
09	14,2	26,8	23,2	15,7	9,7
10	15,8	28,4	24,8	15,7	10,4
11	17,4	30,1	26,4	18,7	11,5
12	19,0	31,6	27,9	18,7	11,4
13	20,6	33,1	29,5	18,7	14,0
14	22,2	34,8	31,1	21,7	15,4
15	23,8	36,5	32,7	21,7	16,8
16	25,4	37,9	34,3	21,7	17,3
17	27,0	39,5	35,9	21,7	18,8
18	28,6	41,1	37,5	21,7	19,5
19	30,2	42,7	39,3	23,2	25,9
20	31,8	44,3	40,6	23,2	23,4
21	33,3	45,8	42,2	23,2	24,8
22	35,0	N/A	43,8	N/A	N/A
23	36,5	47,4	45,4	23,2	25,4
24	38,1	50,9	47,0	23,2	27,4

TABLE 3

CODE	FINISH
C	ELECTROLESS NICKEL
B	CADMIUM OLIVE DRAB OVER ELECTROLESS NICKEL
ZB	ZINC COBALT OLIVE DRAB OVER ELECTROLESS NICKEL
ZN	ZINC NICKEL BLACK PASSIVATE OVER ELECTROLESS NICKEL

LIST NOT EXHAUSTIVE, SEE PLATING TABLE FOR OTHER OPTIONS

95H1-17-08-1-C-CC

SERIES _____
 CONNECTOR INTERFACE _____
 ANGLE _____
 SHELL SIZE (TABLE 1) _____
 ENTRY SIZE (TABLE 2) _____
 MATERIAL _____
 ALUMINIUM ALLOY _____
 FINISH (TABLE 3) _____
 CABLE CLAMP OPTION _____
 OMIT FOR PLAIN NUT _____

For tooling and assembly instructions see www.polamco.com

Sealing and strain relief achieved with Heat Shrink Boot (see page 354)

Adhesive if required for assembly (see page 352)

Screenbraid for EMC/RFI screening (see page 350)

DRAWING NOT TO SCALE, DIMENSIONS IN MM

SEE PAGES 18-26 FOR COMPLETE LIST OF AVAILABLE MATERIALS, FINISHES AND CONNECTOR INTERFACES (DIMENSIONS, FORM AND O RING SUBJECT TO CHANGE DEPENDING ON BACKSHELL MATERIAL AND CONNECTOR INTERFACE)

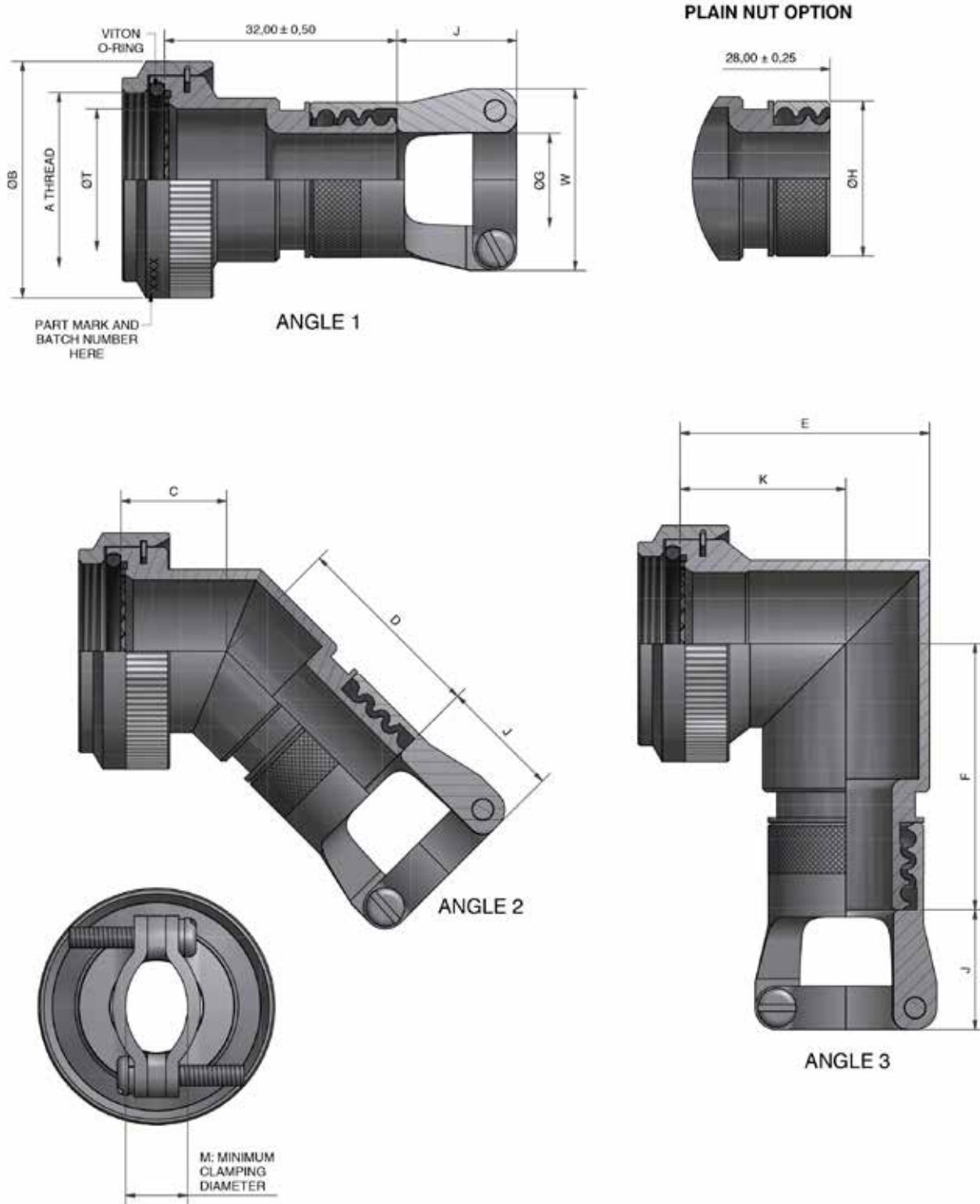
BRAID TRAP

95 (SS) - Braid Trap Termination Stainless Steel

Interface H - MIL-DTL-38999 SERIES III & IV



Interconnect Solutions Worldwide



DRAWING NOT TO SCALE, DIMENSIONS IN MM

SEE PAGES 18-26 FOR COMPLETE LIST OF AVAILABLE MATERIALS, FINISHES AND CONNECTOR INTERFACES
(DIMENSIONS, FORM AND O RING SUBJECT TO CHANGE DEPENDING ON BACKSHELL MATERIAL AND CONNECTOR INTERFACE)

95 (SS) - Braid Trap Termination Stainless Steel

Interface H - MIL-DTL-38999 SERIES III & IV



Interconnect Solutions Worldwide

TABLE 1

SHELL SIZE	A THREAD	ØB MAX	ØT MIN	C ± 0,5	D ± 0,5	D PLAIN NUT	E MAX	K ± 0,5	F ± 0,5	F PLAIN NUT
09	M12 x 1,0	18,0	6,7	12,0	24,0	20,0	21,4	16,4	34,2	30,2
11	M15 x 1,0	21,0	9,9	12,5	24,7	20,7	24,5	17,3	36,0	32,0
13	M18 x 1,0	24,5	12,8	13,1	25,1	21,1	28,5	19,5	37,5	33,5
15	M22 x 1,0	29,0	16,0	13,5	26,0	22,0	31,3	21,0	34,6	34,6
17	M25 x 1,0	32,5	19,2	14,5	26,8	22,8	34,4	22,8	36,6	36,6
19	M28 x 1,0	35,5	21,4	15,5	27,3	23,3	38,7	25,3	42,3	38,3
21	M31 x 1,0	37,0	24,6	16,0	28,2	24,2	40,9	26,1	43,9	39,9
23	M34 x 1,0	40,0	27,7	16,5	28,5	24,5	43,9	27,6	45,4	41,4
25	M37 x 1,0	43,5	30,9	17,1	29,4	25,4	46,6	29,1	46,9	42,9

TABLE 2

ENTRY SIZE	ØG MIN	W MAX	H MAX	J MAX	M ± 0,5
03	4,7	17,3	15,2	12,7	5,8
04	6,3	18,9	15,2	12,7	5,7
05	7,9	20,5	16,8	12,7	6,8
06	9,5	22,1	18,4	12,7	6,9
07	11,1	23,6	20,0	12,7	8,1
08	12,7	25,1	21,6	15,7	8,5
09	14,2	26,8	23,2	15,7	9,7
10	15,8	28,4	24,8	15,7	10,4
11	17,4	30,1	26,4	18,7	11,5
12	19,0	31,6	27,9	18,7	11,4
13	20,6	33,1	29,5	18,7	14,0
14	22,2	34,8	31,1	21,7	15,4
15	23,8	36,5	32,7	21,7	16,8
16	25,4	37,9	34,3	21,7	17,3
17	27,0	39,5	35,9	21,7	18,8
18	28,6	41,1	37,5	21,7	19,5
19	30,2	42,7	39,3	23,2	25,9
20	31,8	44,3	40,6	23,2	23,4
21	33,3	45,8	42,2	23,2	24,8
22	35,0	N/A	43,8	N/A	N/A
23	36,5	47,4	45,4	23,2	25,4
24	38,1	50,9	47,0	23,2	27,4

TABLE 3

CODE	MATERIAL / PLATING
4-J	STAINLESS STEEL 303 S31 / PASSIVATE
46-J	STAINLESS STEEL 316 / PASSIVATE

LIST NOT EXHAUSTIVE, SEE PLATING TABLE FOR OTHER OPTIONS

95H1-17-08-4-J-CC

POLAMCO SERIES
 CONNECTOR INTERFACE
 ANGLE
 SHELL SIZE (TABLE 1)
 ENTRY SIZE (TABLE 2)
 MATERIAL (TABLE 3)
 FINISH (TABLE 3)
 CABLE CLAMP OPTION
 OMIT FOR PLAIN NUT

For tooling and assembly instructions see www.polamco.com

Sealing and strain relief achieved with Heat Shrink Boot (see page 354)

Adhesive if required for assembly (see page 352)

Screenbraid for EMC/RFI screening (see page 350)

DRAWING NOT TO SCALE, DIMENSIONS IN MM

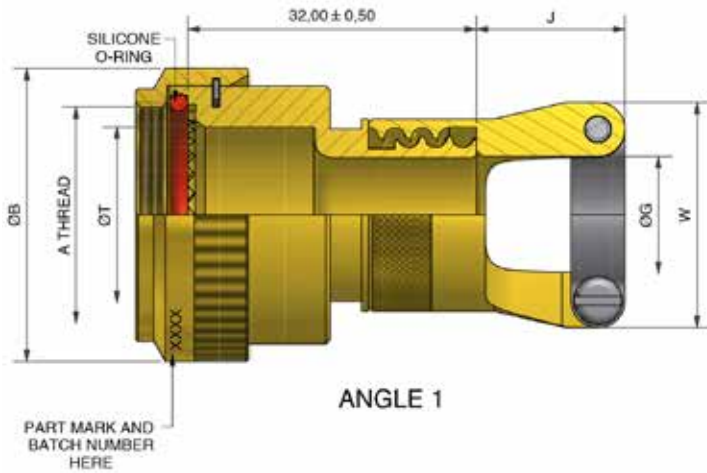
SEE PAGES 18-26 FOR COMPLETE LIST OF AVAILABLE MATERIALS, FINISHES AND CONNECTOR INTERFACES
 (DIMENSIONS, FORM AND O RING SUBJECT TO CHANGE DEPENDING ON BACKSHELL MATERIAL AND CONNECTOR INTERFACE)

95 (NB) - Braid Trap Termination Nickel Aluminium Bronze

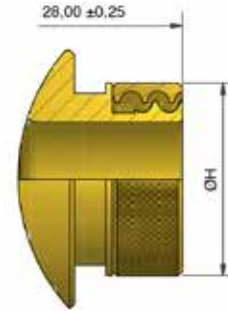
Interface H - MIL-DTL-38999 SERIES III & IV



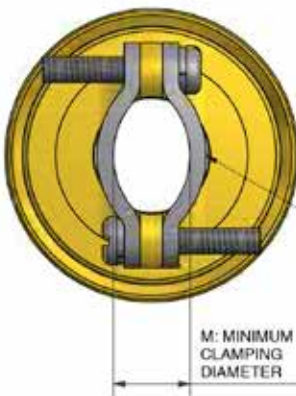
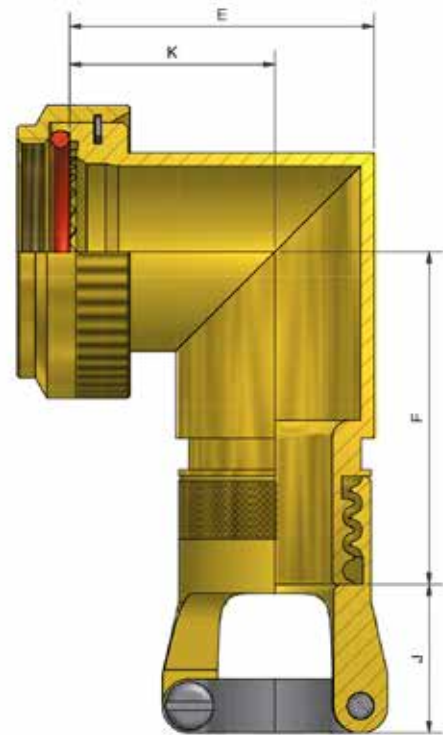
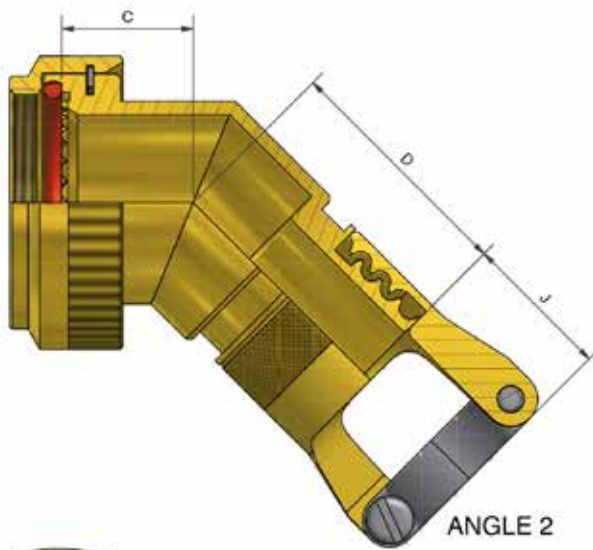
Interconnect Solutions Worldwide



PLAIN NUT OPTION



BRAID TRAP



DRAWING NOT TO SCALE, DIMENSIONS IN MM

SEE PAGES 18-26 FOR COMPLETE LIST OF AVAILABLE MATERIALS, FINISHES AND CONNECTOR INTERFACES
(DIMENSIONS, FORM AND O RING SUBJECT TO CHANGE DEPENDING ON BACKSHELL MATERIAL AND CONNECTOR INTERFACE)

95 (NB) - Braid Trap Termination Nickel Aluminium Bronze

Interface H - MIL-DTL-38999 SERIES III & IV



Interconnect Solutions Worldwide

TABLE 1

SHELL SIZE	A THREAD	ØB MAX	ØT MIN	C ±0,5	D ±0,5	D PLAIN NUT	E MAX	F ±0,5	F PLAIN NUT	K ±0,5
09	M12 x 1,0	18,0	6,7	12,0	24,0	20,0	21,4	34,2	30,2	16,3
11	M15 x 1,0	21,0	9,9	12,5	24,7	20,7	24,5	36,0	32,0	17,2
13	M18 x 1,0	24,5	12,8	13,1	25,1	21,1	28,5	37,5	33,5	19,4
15	M22 x 1,0	29,0	16,0	13,5	26,0	22,0	31,3	39,0	35,0	21,0
17	M25 x 1,0	32,5	19,2	14,5	26,8	22,8	34,4	40,7	36,7	22,8
19	M28 x 1,0	35,5	21,4	15,5	27,3	23,3	38,7	42,3	38,3	25,3
21	M31 x 1,0	37,0	24,6	16,0	28,2	24,2	40,9	43,9	39,9	26,1
23	M34 x 1,0	40,0	27,7	16,5	28,5	24,5	43,9	45,4	41,4	27,6
25	M37 x 1,0	43,5	30,9	17,1	29,4	25,4	46,6	46,9	42,9	29,1

TABLE 2

ENTRY SIZE	ØG MIN	W MAX	ØH MAX	J MAX	M ±0,5
03	4,7	17,3	15,2	12,7	5,8
04	6,3	18,9	15,2	12,7	5,7
05	7,9	20,5	16,8	12,7	6,8
06	9,5	22,1	18,4	12,7	6,9
07	11,1	23,6	20,0	12,7	8,1
08	12,7	25,1	21,6	15,7	8,5
09	14,2	26,8	23,2	15,7	9,7
10	15,8	28,4	24,8	15,7	10,4
11	17,4	30,1	26,4	18,7	11,5
12	19,0	31,6	27,9	18,7	11,4
13	20,6	33,1	29,5	18,7	14,0
14	22,2	34,8	31,1	21,7	15,4
15	23,8	36,5	32,7	21,7	16,8
16	25,4	37,9	34,3	21,7	17,3
17	27,0	39,5	35,9	21,7	18,8
18	28,6	41,1	37,5	21,7	19,5
19	30,2	42,7	39,3	23,2	25,9
20	31,8	44,3	40,6	23,2	23,4
21	33,3	45,8	42,2	23,2	24,8
22	35,0	N/A	43,8	N/A	N/A
23	36,5	47,4	45,4	23,2	25,4
24	38,1	50,9	47,0	23,2	27,4

BRAID TRAP

95H1-17-08-2-Z-CC

SERIES _____
CONNECTOR INTERFACE _____
ANGLE _____
SHELL SIZE (TABLE 1) _____
ENTRY SIZE (TABLE 2) _____
MATERIAL _____
NICKEL ALUMINIUM BRONZE
FINISH _____
SHOT BLAST
CABLE CLAMP OPTION _____
OMIT FOR PLAIN NUT

For tooling and assembly instructions see www.polamco.com

Sealing and strain relief achieved with Heat Shrink Boot (see page 354)

Adhesive if required for assembly (see page 352)

Screenbraid for EMC/RFI screening (see page 350)

DRAWING NOT TO SCALE, DIMENSIONS IN MM

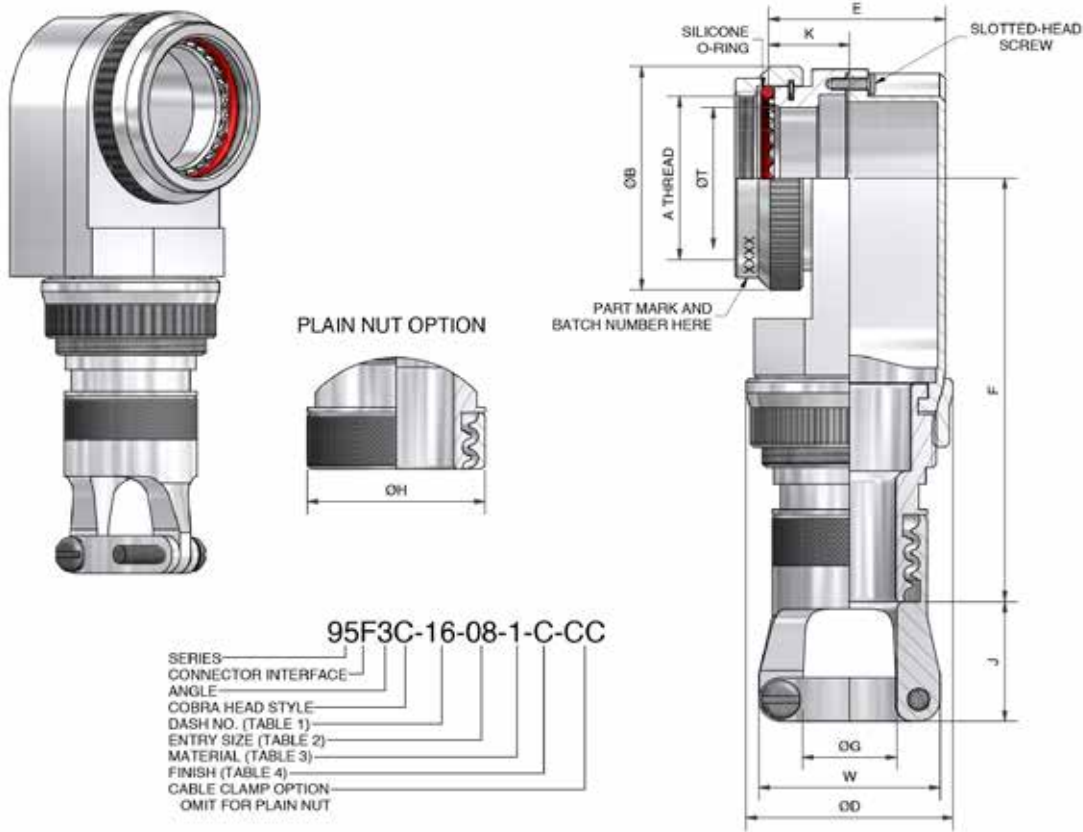
SEE PAGES 18-26 FOR COMPLETE LIST OF AVAILABLE MATERIALS, FINISHES AND CONNECTOR INTERFACES
(DIMENSIONS, FORM AND O RING SUBJECT TO CHANGE DEPENDING ON BACKSHELL MATERIAL AND CONNECTOR INTERFACE)

95F3C - Braid Trap Termination Cobra Head

Interface F - MIL-DTL-38999 SERIES I & II



Interconnect Solutions Worldwide



BRAID TRAP

TABLE 1

DASH NO.	SHELL SIZE SERIES I	SHELL SIZE SERIES II	A THREAD	OB MAX	OT MIN	D MAX	E MAX	F MAX	K ± 0.5	MAX ENTRY
08	09	08	7/16-28UNEF	18,3	6,6	18,7	17,7	48,6	8,7	04
10	11	10	9/16-24UNEF	21,5	10,1	21,7	19,0	52,7	8,7	06
12	13	12	11/16-24UNEF	24,5	12,9	24,7	22,1	52,7	8,7	08
14	15	14	13/16-20UNEF	27,8	16,1	24,7	22,1	56,5	10,2	08
16	17	16	15/16-20UNEF	30,8	19,3	28,7	25,1	58,8	11,2	10
18	19	18	1 1/16-18UNEF	34,1	21,7	28,7	25,1	58,8	11,2	10
20	21	20	1 3/16-18UNEF	37,3	24,9	28,7	25,1	61,5	11,2	10
22	23	22	1 5/16-18UNEF	40,5	28,1	31,7	28,1	65,0	12,7	12
24	25	24	1 7/16-18UNEF	43,7	31,3	31,7	28,1	65,0	12,7	12

TABLE 2

ENTRY SIZE	OG MIN	W MAX	OH MAX	J MAX
03	4,7	17,3	15,2	13,7
04	6,3	18,9	15,2	13,7
05	7,9	20,5	16,8	13,7
06	9,5	22,1	18,4	13,7
07	11,1	23,6	20,0	13,7
08	12,7	25,1	21,6	16,7
09	14,2	26,8	23,2	16,7
10	15,8	28,4	24,8	16,7
11	17,4	30,1	26,4	19,7
12	19,0	31,6	27,9	19,7

TABLE 3

CODE	MATERIAL / PLATING
1-C	ALUMINIUM / ELECTROLESS NICKEL
1-B	ALUMINIUM / CADMIUM OLIVE DRAB OVER ELECTROLESS NICKEL
1-ZB	ALUMINIUM / ZINC COBALT OLIVE DRAB OVER ELECTROLESS NICKEL
1-ZN	ALUMINIUM / ZINC NICKEL BLACK PASSIVATE OVER ELECTROLESS NICKEL
4-J	STAINLESS STEEL / PASSIVATE
2-Z	NICKEL ALUMINIUM BRONZE / SHOT BLAST

LIST NOT EXHAUSTIVE. SEE PLATING TABLE FOR OTHER OPTIONS

For tooling and assembly instructions see www.polamco.com

Sealing and strain relief achieved with Heat Shrink Boot (see page 354)

Adhesive if required for assembly (see page 352)

Screenbraid for EMC/RFI screening (see page 350)

DRAWING NOT TO SCALE, DIMENSIONS IN MM

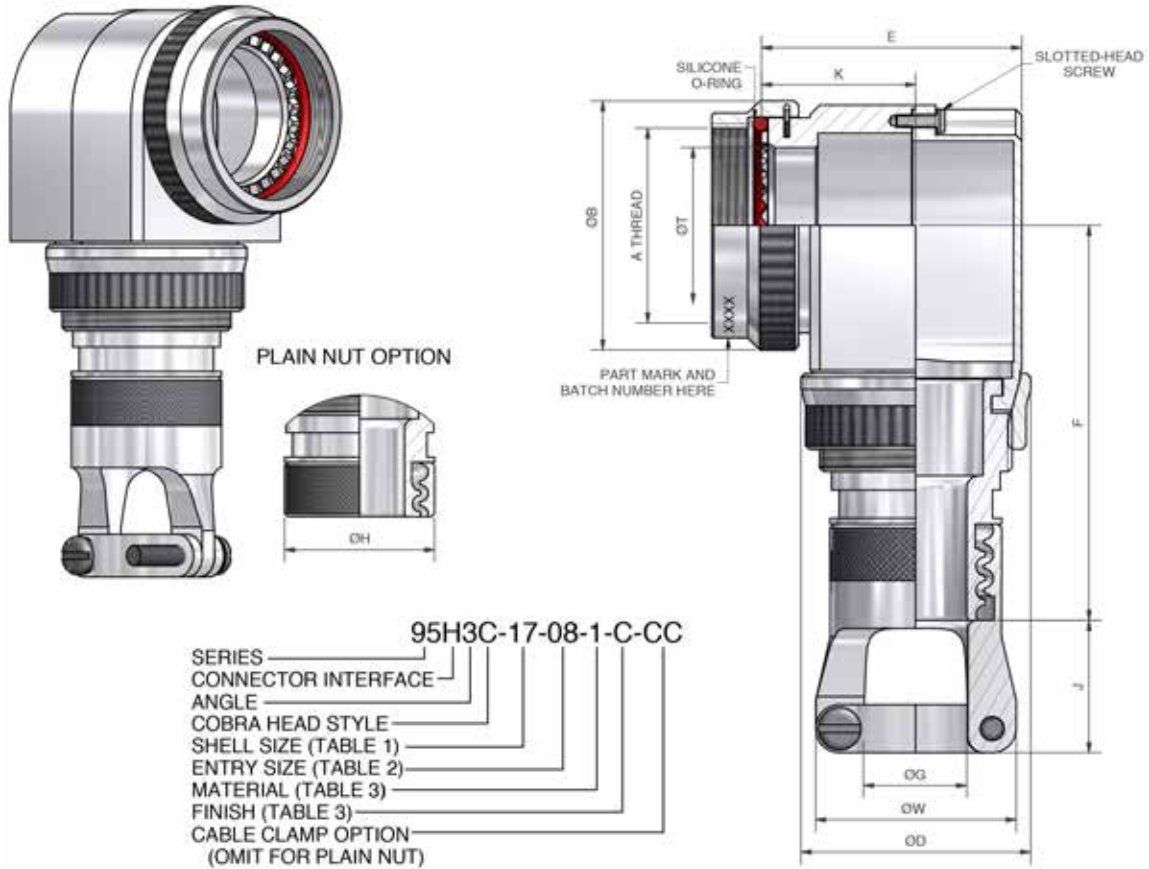
SEE PAGES 18-26 FOR COMPLETE LIST OF AVAILABLE MATERIALS, FINISHES AND CONNECTOR INTERFACES (DIMENSIONS, FORM AND O RING SUBJECT TO CHANGE DEPENDING ON BACKSHELL MATERIAL AND CONNECTOR INTERFACE)

95H3C - Braid Trap Termination Cobra Head

Interface H - MIL-DTL-38999 SERIES III & IV



Interconnect Solutions Worldwide



BRAID TRAP

TABLE 1

SHELL SIZE	A THREAD	ØB MAX	ØT MIN	ØD MAX	E MAX	F MAX	F MAX PLAIN NUT	K +/0.5	MAX ENTRY
09	M12 x 1.0	18.0	6.7	18.7	17.7	48.6	44.6	8.7	04
11	M15 x 1.0	21.0	10.2	21.7	19.0	52.7	48.7	8.7	06
13	M18 x 1.0	24.5	13.5	24.7	22.1	52.7	48.7	8.7	08
15	M22 x 1.0	27.5	16.2	24.7	22.1	56.5	52.5	10.2	08
17	M25 x 1.0	31.0	19.4	28.7	25.1	58.8	54.8	11.2	10
19	M28 x 1.0	34.0	21.8	28.7	25.1	61.5	57.5	11.2	10
21	M31 x 1.0	37.0	25.1	28.7	25.1	62.5	58.5	11.2	10
23	M34 x 1.0	40.0	28.2	31.7	28.1	65.0	61.0	12.7	12
25	M37 x 1.0	43.5	31.4	31.7	28.1	66.5	62.5	12.7	12

TABLE 2

ENTRY SIZE	OG MIN	OH MAX	OW MAX	J MAX
03	4.77	15.2	17.3	13.7
04	6.35	15.2	18.9	13.7
05	7.92	16.8	20.5	13.7
06	9.52	18.4	22.1	13.7
07	11.10	20.0	23.6	13.7
08	12.70	21.6	25.1	16.7
09	14.27	23.2	26.8	16.7
10	15.88	24.8	28.4	16.7
11	17.47	26.4	30.1	19.7
12	19.05	27.9	31.6	19.7

TABLE 3

CODE	MATERIAL / PLATING
1-C	ALUMINIUM / ELECTROLESS NICKEL
1-B	ALUMINIUM / CADMIUM OLIVE DRAB OVER ELECTROLESS NICKEL
1-2B	ALUMINIUM / ZINC COBALT OLIVE DRAB OVER ELECTROLESS NICKEL
1-2N	ALUMINIUM / ZINC NICKEL BLACK PASSIVATE OVER ELECTROLESS NICKEL
4-J	STAINLESS STEEL / PASSIVATE
2-Z	NICKEL ALUMINIUM BRONZE / SHOT BLAST NON REFLECTIVE

LIST NOT EXHAUSTIVE. SEE PLATING TABLE FOR OTHER OPTIONS

For tooling and assembly instructions see www.polamco.com

Sealing and strain relief achieved with Heat Shrink Boot (see page 354)

Adhesive if required for assembly (see page 352)

Screenbraid for EMC/RFI screening (see page 350)

DRAWING NOT TO SCALE, DIMENSIONS IN MM

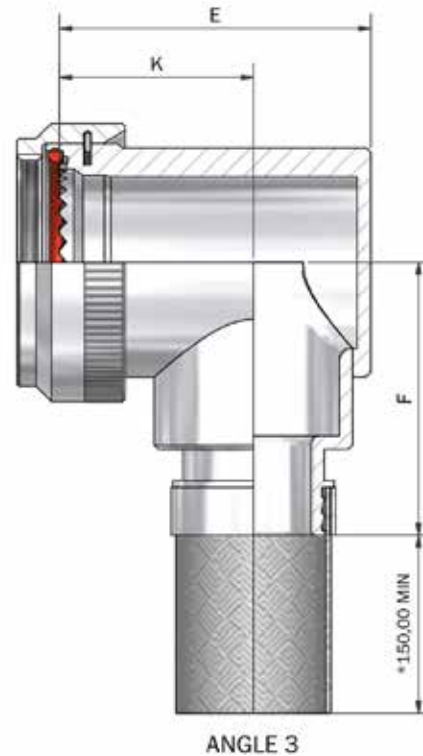
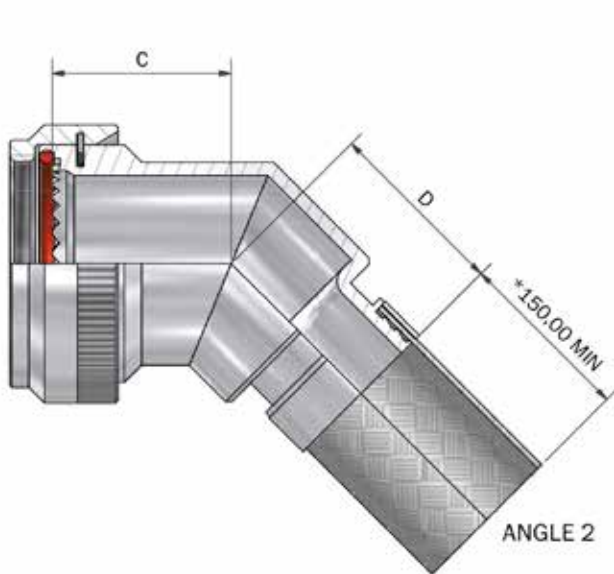
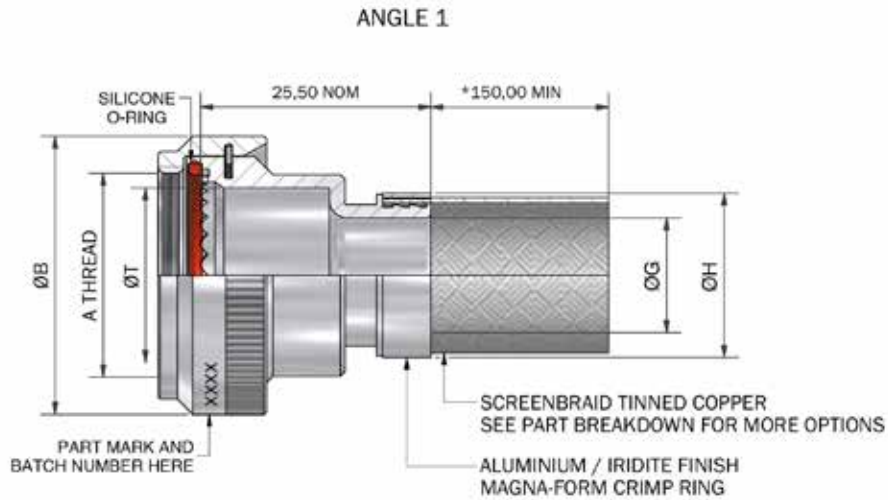
SEE PAGES 18-26 FOR COMPLETE LIST OF AVAILABLE MATERIALS, FINISHES AND CONNECTOR INTERFACES (DIMENSIONS, FORM AND O RING SUBJECT TO CHANGE DEPENDING ON BACKSHELL MATERIAL AND CONNECTOR INTERFACE)

70F - Braid Tail Backshell

Interface F - MIL-DTL-38999 SERIES I



Interconnect Solutions Worldwide



***NOTE:**
SUPPLIED WITH STANDARD BRAID TAIL LENGTH OF 150MM
CONTACT SALES OFFICE FOR NON-STANDARD BRAID TAIL LENGTHS

DRAWING NOT TO SCALE, DIMENSIONS IN MM

SEE PAGES 18-26 FOR COMPLETE LIST OF AVAILABLE MATERIALS, FINISHES AND CONNECTOR INTERFACES
(DIMENSIONS, FORM AND O RING SUBJECT TO CHANGE DEPENDING ON BACKSHELL MATERIAL AND CONNECTOR INTERFACE)

70F - Braid Tail Backshell

Interface F - MIL-DTL-38999 SERIES I



Interconnect Solutions Worldwide

TABLE 1

SHELL SIZE	A THREAD	ØB MAX	ØT MIN	C ±0,5	D MAX	E MAX	F MAX	K ±0,5
09	7/16-28 UNEF	18,0	6,8	16,4	17,1	22,7	24,0	15,0
11	9/16-24 UNEF	21,0	10,2	17,2	18,2	26,2	25,7	17,0
13	11/16-24 UNEF	24,5	13,1	17,6	18,6	29,2	27,2	18,0
15	13/16-20 UNEF	27,8	16,2	18,5	19,5	32,2	28,7	20,0
17	15/16-20 UNEF	30,8	19,3	20,2	20,3	35,7	30,4	21,5
19	1 1/16-18 UNEF	34,1	22,3	19,6	20,8	39,7	32,0	23,0
21	1 3/16-18 UNEF	37,3	25,8	20,4	21,7	42,2	33,6	25,0
23	1 5/16-18 UNEF	41,0	28,3	20,8	22,0	45,2	35,1	26,0
25	1 7/16-18 UNEF	43,7	31,5	21,7	22,9	48,2	36,6	28,0

TABLE 2

ENTRY SIZE	ØG MIN	ØH MAX
03	4,7	13,1
04	6,3	13,1
05	7,9	13,1
06	9,5	17,9
07	11,1	17,9
08	12,7	17,9
09	14,2	17,9
10	15,8	24,2
11	17,4	24,2
12	19,0	24,2
13	20,6	24,2
14	22,2	30,6
15	23,8	30,6
16	25,4	30,6
17	27,0	30,6
18	28,6	37,4
19	30,2	37,4
20	31,8	37,4
21	33,3	37,4
22	35,0	44,0
23	36,5	44,0
24	38,1	44,0

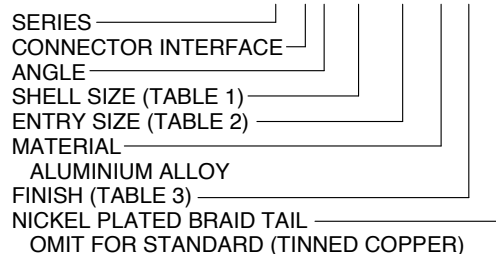
TABLE 3

CODE	FINISH
C	ELECTROLESS NICKEL
B	CADMIUM OLIVE DRAB OVER ELECTROLESS NICKEL
ZB	ZINC COBALT OLIVE DRAB OVER ELECTROLESS NICKEL
ZN	ZINC NICKEL BLACK PASSIVATE OVER ELECTROLESS NICKEL

LIST NOT EXHAUSTIVE, SEE PLATING TABLE FOR OTHER OPTIONS

BRAID TAIL

70F1-17-08-1-C-N



For tooling and assembly instructions see www.polamco.com

Backshell supplied pre-terminated with "Magna-Form" ring and braid tail, which is attached to cable braid
Sealing and strain relief achieved with Heat Shrink Boot (see page 354)
Adhesive if required for assembly (see page 352)
Screenbraid for EMC/RFI screening (see page 350)

DRAWING NOT TO SCALE, DIMENSIONS IN MM

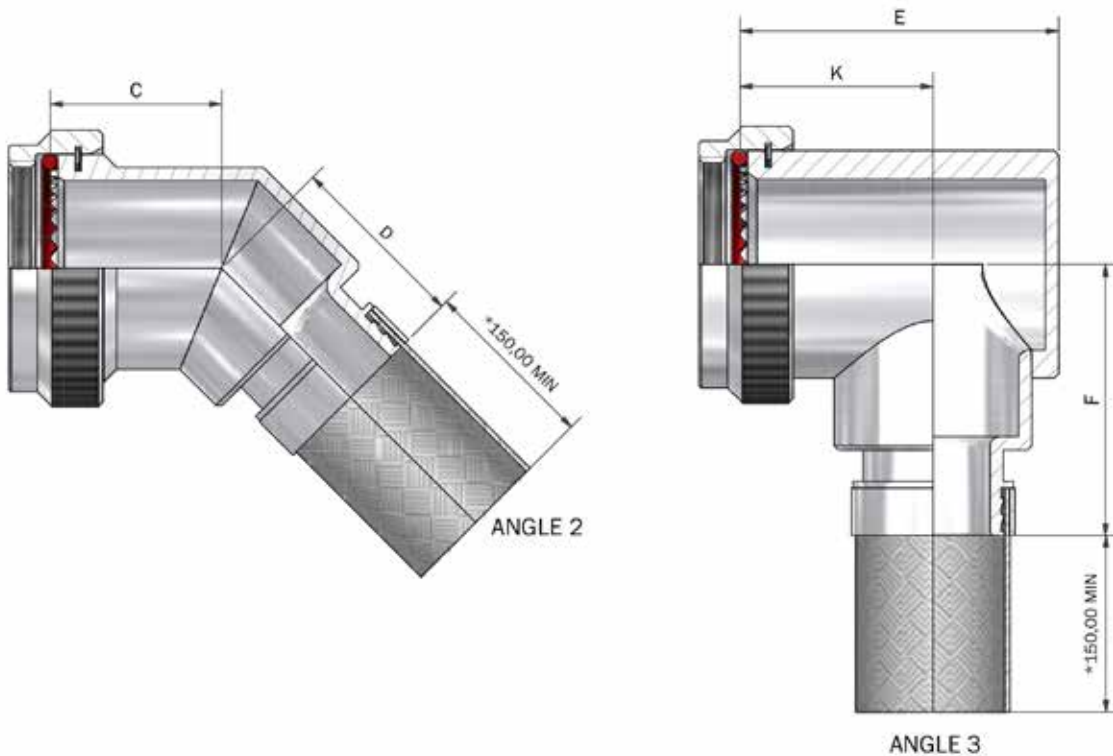
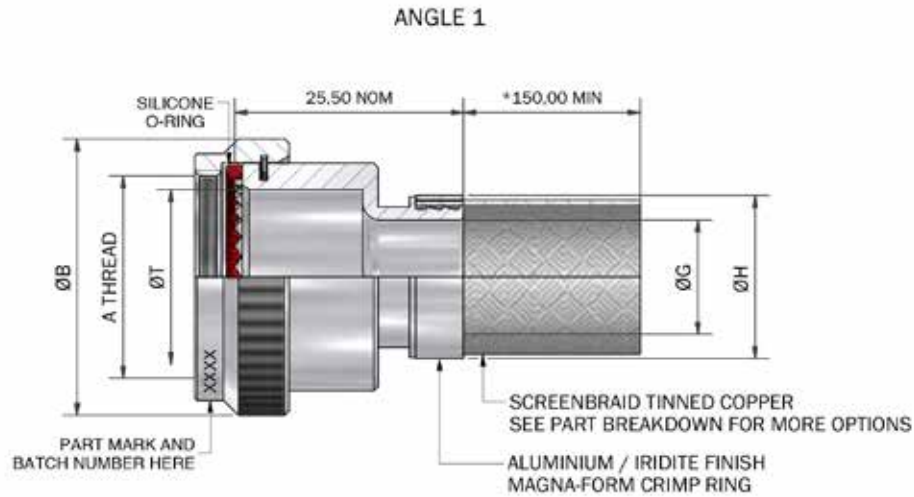
SEE PAGES 18-26 FOR COMPLETE LIST OF AVAILABLE MATERIALS, FINISHES AND CONNECTOR INTERFACES
(DIMENSIONS, FORM AND O RING SUBJECT TO CHANGE DEPENDING ON BACKSHELL MATERIAL AND CONNECTOR INTERFACE)

70F - Braid Tail Backshell

Interface F - MIL-DTL-38999 SERIES II



Interconnect Solutions Worldwide



***NOTE:**
SUPPLIED WITH STANDARD BRAID TAIL LENGTH OF 150MM
CONTACT SALES OFFICE FOR NON-STANDARD BRAID TAIL LENGTHS

DRAWING NOT TO SCALE, DIMENSIONS IN MM

SEE PAGES 18-26 FOR COMPLETE LIST OF AVAILABLE MATERIALS, FINISHES AND CONNECTOR INTERFACES
(DIMENSIONS, FORM AND O RING SUBJECT TO CHANGE DEPENDING ON BACKSHELL MATERIAL AND CONNECTOR INTERFACE)

70F - Braid Tail Backshell

Interface F - MIL-DTL-38999 SERIES II



Interconnect Solutions Worldwide

TABLE 1

SHELL SIZE	A THREAD	ØB MAX	ØT MIN	C ±0,5	D MAX	E MAX	F MAX	K ±0,5
08	7/16-28 UNEF	18,3	6,6	16,4	17,1	22,7	24,0	15,0
10	9/16-24 UNEF	21,5	10,1	17,2	18,2	26,2	25,7	17,0
12	11/16-24 UNEF	24,5	12,9	17,6	18,6	29,2	27,2	18,0
14	13/16-20 UNEF	27,8	16,1	18,5	19,5	32,2	28,7	20,0
16	15/16-20 UNEF	30,8	19,3	20,2	20,3	35,7	30,4	21,5
18	1 1/16-18 UNEF	34,1	21,7	19,6	20,8	39,7	32,0	23,0
20	1 3/16-18 UNEF	37,3	24,9	20,4	21,7	42,2	33,6	25,0
22	1 5/16-18 UNEF	40,5	28,1	20,8	22,0	45,2	35,1	26,0
24	1 7/16-18 UNEF	43,7	31,3	21,7	22,9	48,2	36,6	28,0

TABLE 2

ENTRY SIZE	ØG MIN	ØH MAX
03	4,7	13,1
04	6,3	13,1
05	7,9	13,1
06	9,5	17,9
07	11,1	17,9
08	12,7	17,9
09	14,2	17,9
10	15,8	24,2
11	17,4	24,2
12	19,0	24,2
13	20,6	24,2
14	22,2	30,6
15	23,8	30,6
16	25,4	30,6
17	27,0	30,6
18	28,6	37,4
19	30,2	37,4
20	31,8	37,4
21	33,3	37,4
22	35,0	44,0
23	36,5	44,0
24	38,1	44,0

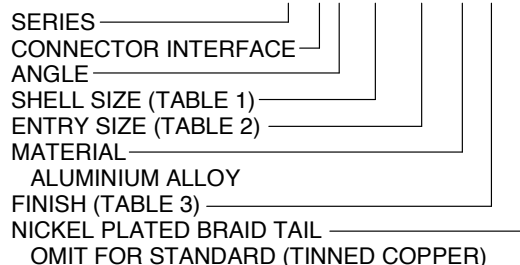
TABLE 3

CODE	FINISH
C	ELECTROLESS NICKEL
B	CADMIUM OLIVE DRAB OVER ELECTROLESS NICKEL
ZB	ZINC COBALT OLIVE DRAB OVER ELECTROLESS NICKEL
ZN	ZINC NICKEL BLACK PASSIVATE OVER ELECTROLESS NICKEL

LIST NOT EXHAUSTIVE, SEE PLATING TABLE FOR OTHER OPTIONS

BRAID TAIL

70F1-16-08-1-C-N



For tooling and assembly instructions see www.polamco.com

Backshell supplied pre-terminated with "Magna-Form" ring and braid tail, which is attached to cable braid
Sealing and strain relief achieved with Heat Shrink Boot (see page 354)
Adhesive if required for assembly (see page 352)
Screenbraid for EMC/RFI screening (see page 350)

DRAWING NOT TO SCALE, DIMENSIONS IN MM

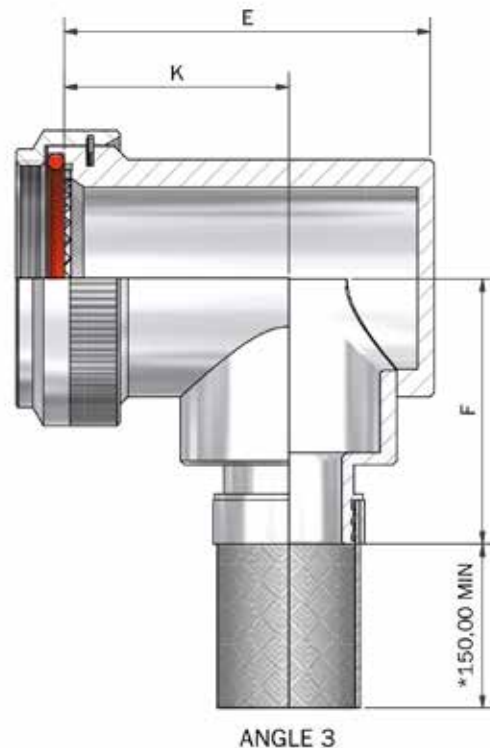
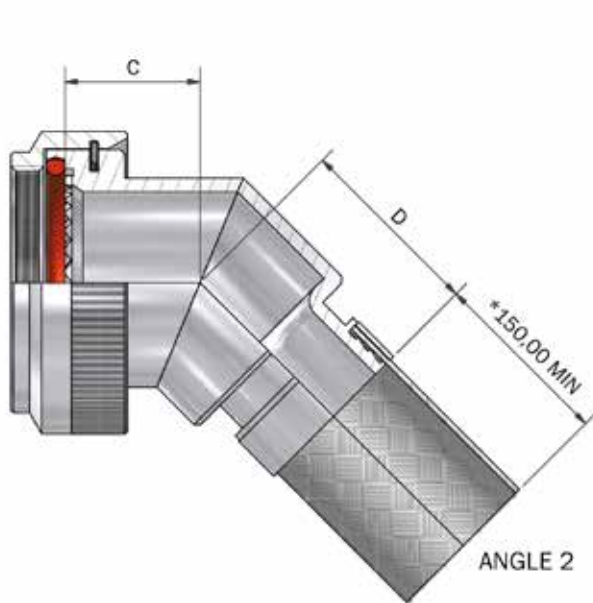
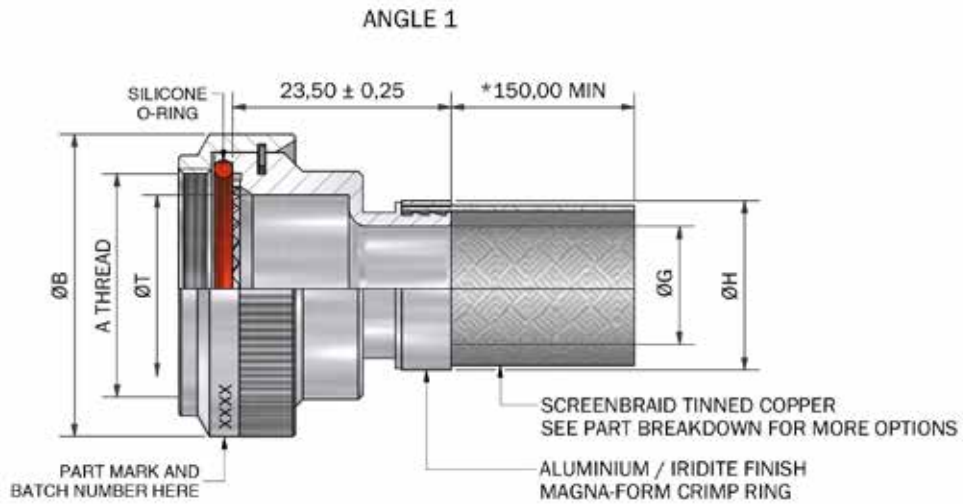
SEE PAGES 18-26 FOR COMPLETE LIST OF AVAILABLE MATERIALS, FINISHES AND CONNECTOR INTERFACES
(DIMENSIONS, FORM AND O RING SUBJECT TO CHANGE DEPENDING ON BACKSHELL MATERIAL AND CONNECTOR INTERFACE)

70H - Braid Tail Backshell

Interface H - MIL-DTL-38999 SERIES III & IV



Interconnect Solutions Worldwide



***NOTE:**
SUPPLIED WITH STANDARD BRAID TAIL LENGTH OF 150MM
CONTACT SALES OFFICE FOR NON-STANDARD BRAID TAIL LENGTHS

DRAWING NOT TO SCALE, DIMENSIONS IN MM

SEE PAGES 18-26 FOR COMPLETE LIST OF AVAILABLE MATERIALS, FINISHES AND CONNECTOR INTERFACES
(DIMENSIONS, FORM AND O RING SUBJECT TO CHANGE DEPENDING ON BACKSHELL MATERIAL AND CONNECTOR INTERFACE)

70H - Braid Tail Backshell

Interface H - MIL-DTL-38999 SERIES III & IV



Interconnect Solutions Worldwide

TABLE 1

SHELL SIZE	A THREAD	ØB MAX	ØT MIN	C MAX	D ±0,5	E MAX	F MAX	K ±0,5
09	M12 x 1.0	18,0	6,7	13,1	17,1	25,7	24,0	17,5
11	M15 x 1.0	21,0	10,2	13,9	18,2	26,7	25,7	17,5
13	M18 x 1.0	24,5	13,5	14,5	18,6	31,2	27,2	20,0
15	M22 x 1.0	29,0	16,2	15,5	19,5	37,2	28,7	24,5
17	M25 x 1.0	32,5	19,4	16,1	20,3	40,2	30,4	26,7
19	M28 x 1.0	35,5	21,8	16,8	20,8	44,7	32,0	27,0
21	M31 x 1.0	37,0	25,1	17,1	21,7	49,2	33,6	30,5
23	M34 x 1.0	40,0	28,2	17,7	22,0	51,7	35,1	31,5
25	M37 x 1.0	43,5	31,4	18,4	22,9	53,2	36,6	28,5

TABLE 2

ENTRY SIZE	ØG MIN	ØH MAX
03	4,7	13,1
04	6,3	13,1
05	7,9	13,1
06	9,5	17,9
07	11,1	17,9
08	12,7	17,9
09	14,2	17,9
10	15,8	24,2
11	17,4	24,2
12	19,0	24,2
13	20,6	24,2
14	22,2	30,6
15	23,8	30,6
16	25,4	30,6
17	27,0	30,6
18	28,6	37,4
19	30,2	37,4
20	31,8	37,4
21	33,3	37,4
22	35,0	44,0
23	36,5	44,0
24	38,1	44,0

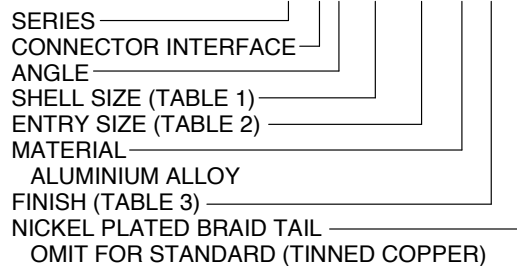
TABLE 3

CODE	FINISH
C	ELECTROLESS NICKEL
B	CADMIUM OLIVE DRAB OVER ELECTROLESS NICKEL
ZB	ZINC COBALT OLIVE DRAB OVER ELECTROLESS NICKEL
ZN	ZINC NICKEL BLACK PASSIVATE OVER ELECTROLESS NICKEL

LIST NOT EXHAUSTIVE, SEE PLATING TABLE FOR OTHER OPTIONS

BRAID TAIL

70H1-17-08-1-C-N



For tooling and assembly instructions see www.polamco.com

Backshell supplied pre-terminated with "Magna-Form" ring and braid tail, which is attached to cable braid
Sealing and strain relief achieved with Heat Shrink Boot (see page 354)
Adhesive if required for assembly (see page 352)
Screenbraid for EMC/RFI screening (see page 350)

DRAWING NOT TO SCALE, DIMENSIONS IN MM

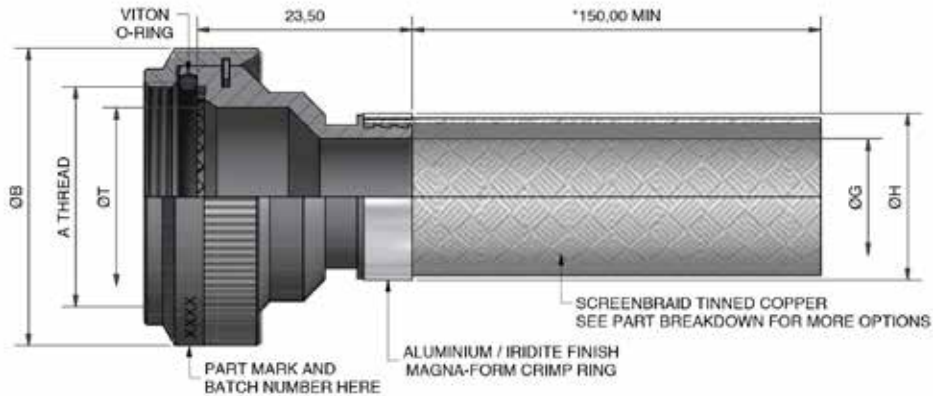
SEE PAGES 18-26 FOR COMPLETE LIST OF AVAILABLE MATERIALS, FINISHES AND CONNECTOR INTERFACES
(DIMENSIONS, FORM AND O RING SUBJECT TO CHANGE DEPENDING ON BACKSHELL MATERIAL AND CONNECTOR INTERFACE)

70 (SS) - Braid Tail Backshell Stainless Steel

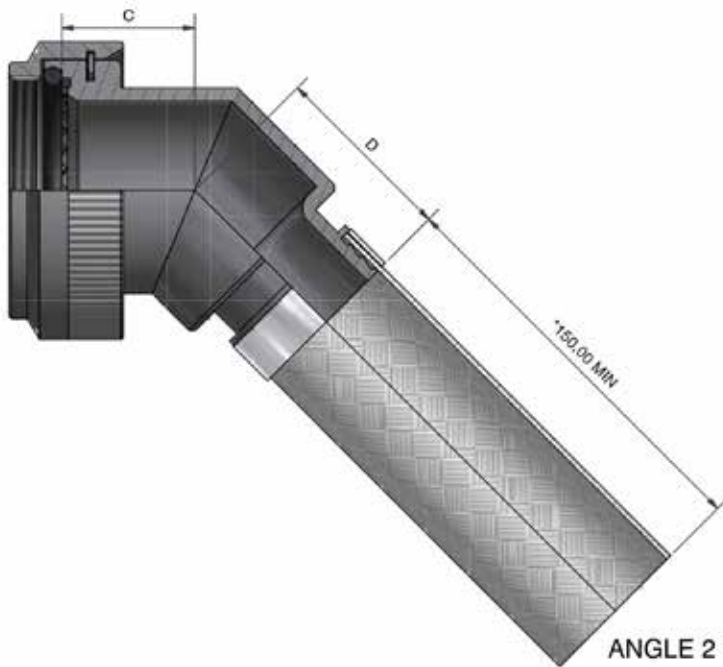
Interface H - MIL-DTL-38999 SERIES III & IV



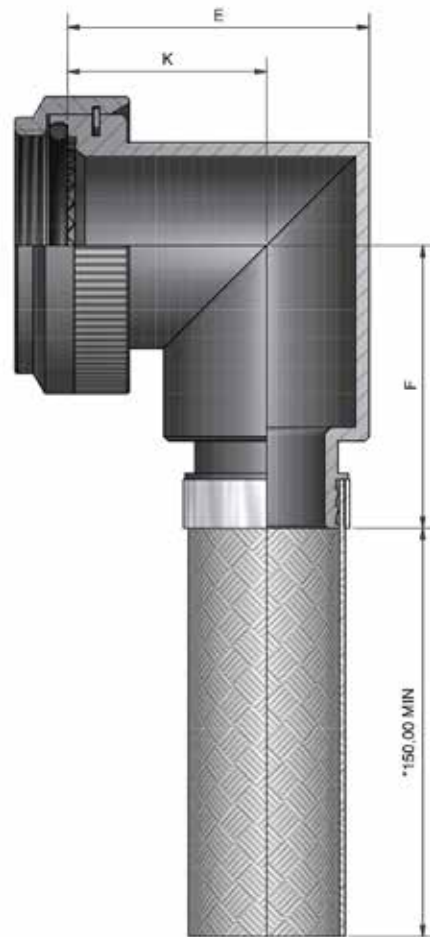
Interconnect Solutions Worldwide



ANGLE 1



ANGLE 2



ANGLE 3

DRAWING NOT TO SCALE, DIMENSIONS IN MM

SEE PAGES 18-26 FOR COMPLETE LIST OF AVAILABLE MATERIALS, FINISHES AND CONNECTOR INTERFACES
(DIMENSIONS, FORM AND O RING SUBJECT TO CHANGE DEPENDING ON BACKSHELL MATERIAL AND CONNECTOR INTERFACE)

70 (SS) - Braid Tail Backshell Stainless Steel

Interface H - MIL-DTL-38999 SERIES III & IV



Interconnect Solutions Worldwide

TABLE 1

SHELL SIZE	A THREAD	ØB MAX	ØT MIN	C MAX	D ±0,5	E MAX	F MAX	K ±0,5
09	M12 x 1.0	18,0	6,7	13,1	17,1	21,4	24,0	16,3
11	M15 x 1.0	21,0	10,2	13,9	18,2	24,5	25,7	17,2
13	M18 x 1.0	24,5	13,5	14,5	18,6	28,5	27,2	19,4
15	M22 x 1.0	29,0	16,2	15,5	19,5	31,3	28,7	21,0
17	M25 x 1.0	32,5	19,4	16,1	20,3	34,4	30,4	22,8
19	M28 x 1.0	35,5	21,8	16,8	20,8	38,7	32,0	25,3
21	M31 x 1.0	37,0	25,1	17,1	21,7	40,9	33,6	26,1
23	M34 x 1.0	40,0	28,2	17,7	22,0	43,9	35,1	27,6
25	M37 x 1.0	43,5	31,4	18,4	22,9	46,6	36,6	29,1

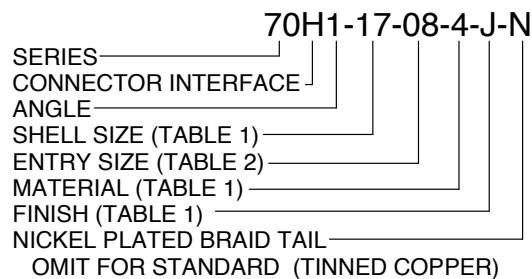
TABLE 2

ENTRY SIZE	ØG MIN	ØH MAX
03	4,7	13,1
04	6,3	13,1
05	7,9	13,1
06	9,5	17,9
07	11,1	17,9
08	12,7	17,9
09	14,2	17,9
10	15,8	24,2
11	17,4	24,2
12	19,0	24,2
13	20,6	24,2
14	22,2	30,6
15	23,8	30,6
16	25,4	30,6
17	27,0	30,6
18	28,6	37,4
19	30,2	37,4
20	31,8	37,4
21	33,3	37,4
22	35,0	44,0
23	36,5	44,0
24	38,1	44,0

TABLE 3

CODE	MATERIAL / FINISH
4-J	STAINLESS STEEL 303S31 / PASSIVATE
46-J	STAINLESS STEEL 316 / PASSIVATE

LIST NOT EXHAUSTIVE, SEE PLATING TABLE FOR OTHER OPTIONS



BRAID TAIL

For tooling and assembly instructions see www.polamco.com

Backshell supplied pre-terminated with "Magna-Form" ring and braid tail, which is attached to cable braid
Sealing and strain relief achieved with Heat Shrink Boot (see page 354)
Adhesive if required for assembly (see page 352)
Screenbraid for EMC/RFI screening (see page 350)

DRAWING NOT TO SCALE, DIMENSIONS IN MM

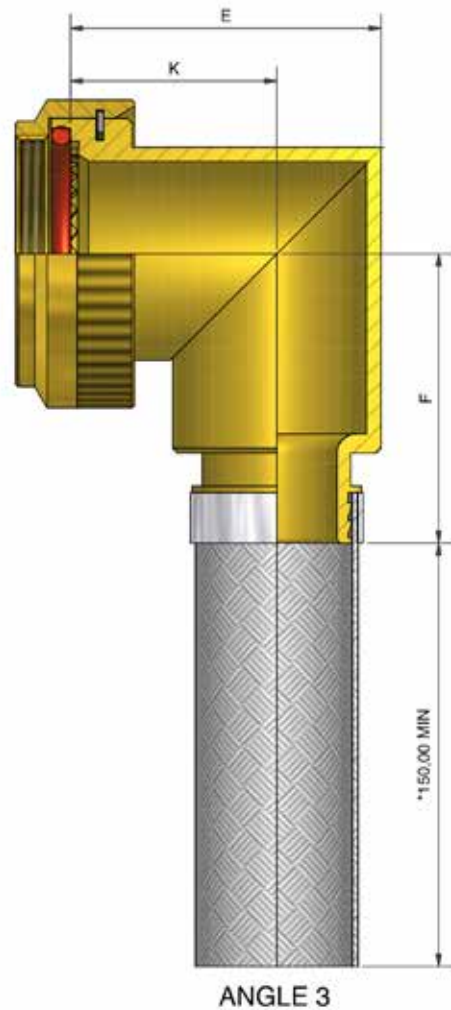
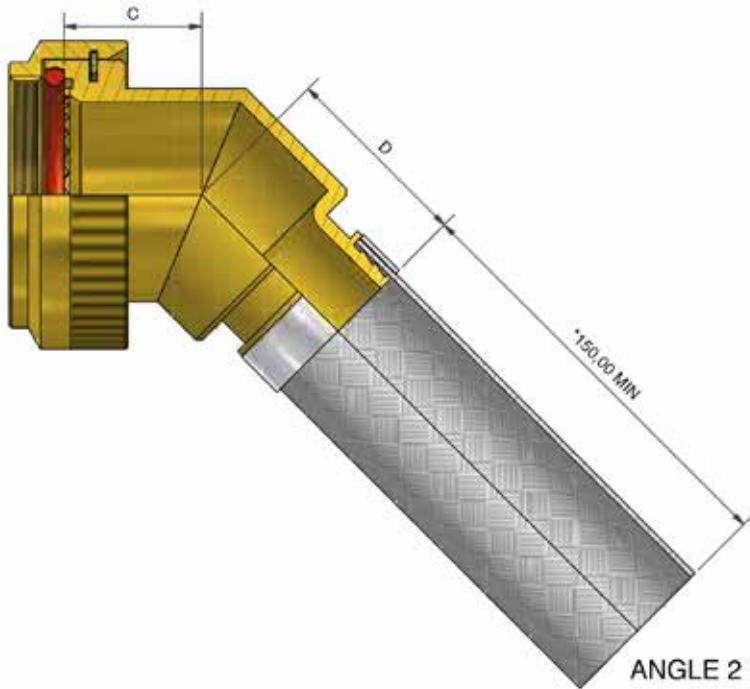
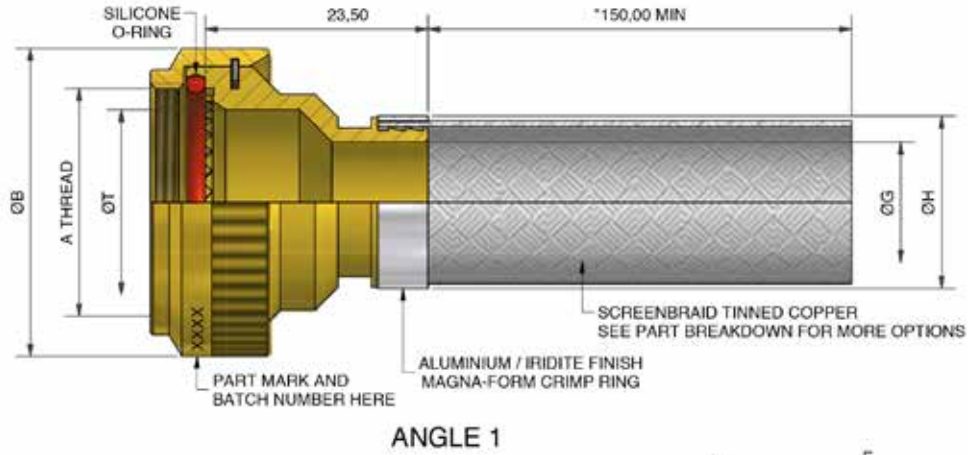
SEE PAGES 18-26 FOR COMPLETE LIST OF AVAILABLE MATERIALS, FINISHES AND CONNECTOR INTERFACES
(DIMENSIONS, FORM AND O RING SUBJECT TO CHANGE DEPENDING ON BACKSHELL MATERIAL AND CONNECTOR INTERFACE)

70 (NB) - Braid Tail Backshell Nickel Aluminium Bronze

Interface H - MIL-DTL-38999 SERIES III & IV



Interconnect Solutions Worldwide



DRAWING NOT TO SCALE, DIMENSIONS IN MM

SEE PAGES 18-26 FOR COMPLETE LIST OF AVAILABLE MATERIALS, FINISHES AND CONNECTOR INTERFACES
(DIMENSIONS, FORM AND O RING SUBJECT TO CHANGE DEPENDING ON BACKSHELL MATERIAL AND CONNECTOR INTERFACE)

70 (NB) - Braid Tail Backshell

Nickel Aluminium Bronze

Interface H - MIL-DTL-38999 SERIES III & IV



Interconnect Solutions Worldwide

TABLE 1

SHELL SIZE	A THREAD	ØB MAX	ØT MIN	C MAX	D MAX	E MAX	F MAX	K ±0,5
09	M12 x 1.0	18,0	6,7	13,1	17,1	21,4	24,0	16,3
11	M15 x 1.0	21,0	10,2	13,9	18,2	24,5	25,7	17,2
13	M18 x 1.0	24,5	13,5	14,5	18,6	28,5	27,2	19,4
15	M22 x 1.0	29,0	16,2	15,5	19,5	31,3	28,7	21,0
17	M25 x 1.0	32,5	19,4	16,1	20,3	34,4	30,4	22,8
19	M28 x 1.0	35,5	21,8	16,8	20,8	38,7	32,0	25,3
21	M31 x 1.0	37,0	25,1	17,1	21,7	40,9	33,6	26,1
23	M34 x 1.0	40,0	28,2	17,7	22,0	43,9	35,1	27,6
25	M37 x 1.0	43,5	31,4	18,4	22,9	46,6	36,6	29,1

TABLE 2

ENTRY SIZE	ØG MIN	ØH MAX
03	4,7	13,1
04	6,3	13,1
05	7,9	13,1
06	9,5	17,9
07	11,1	17,9
08	12,7	17,9
09	14,2	17,9
10	15,8	24,2
11	17,4	24,2
12	19,0	24,2
13	20,6	24,2
14	22,2	30,6
15	23,8	30,6
16	25,4	30,6
17	27,0	30,6
18	28,6	37,4
19	30,2	37,4
20	31,8	37,4
21	33,3	37,4
22	35,0	44,0
23	36,5	44,0
24	38,1	44,0

70H1-17-08-2-Z-N

SERIES _____

CONNECTOR INTERFACE _____

ANGLE _____

SHELL SIZE (TABLE 1) _____

ENTRY SIZE (TABLE 2) _____

MATERIAL _____

NICKEL ALUMINIUM BRONZE

FINISH _____

SHOT BLAST

NICKEL PLATED BRAID TAIL _____

OMIT FOR STANDARD (TINNED COPPER)

BRAID TAIL

For tooling and assembly instructions see www.polamco.com

Backshell supplied pre-terminated with "Magna-Form" ring and braid tail, which is attached to cable braid
 Sealing and strain relief achieved with Heat Shrink Boot (see page 354)
 Adhesive if required for assembly (see page 352)
 Screenbraid for EMC/RFI screening (see page 350)

DRAWING NOT TO SCALE, DIMENSIONS IN MM

SEE PAGES 18-26 FOR COMPLETE LIST OF AVAILABLE MATERIALS, FINISHES AND CONNECTOR INTERFACES
 (DIMENSIONS, FORM AND O RING SUBJECT TO CHANGE DEPENDING ON BACKSHELL MATERIAL AND CONNECTOR INTERFACE)

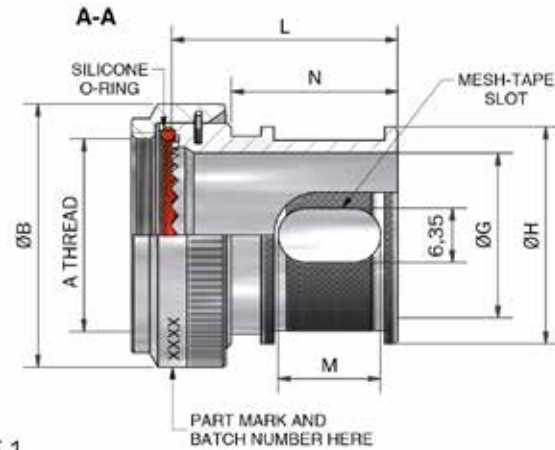
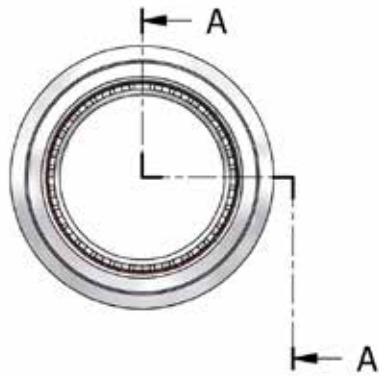
KMAF - Mesh Tape Termination

Interface F - MIL-DTL-38999 SERIES I

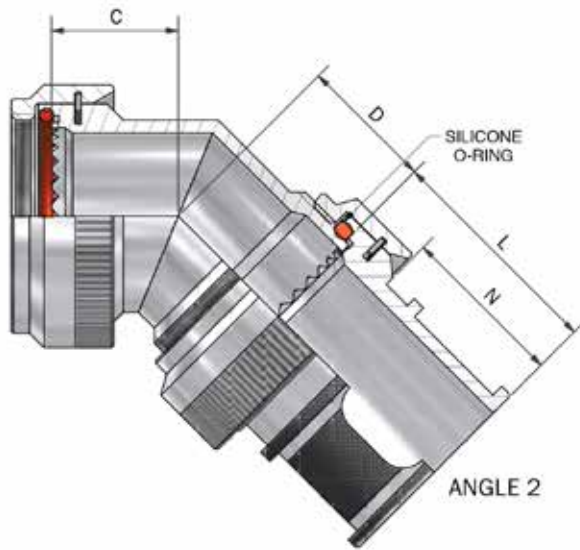
MANUFACTURED UNDER LICENCE
 'AGUSTAWESTLAND HELICOPTERS UK PATENT 2239358'



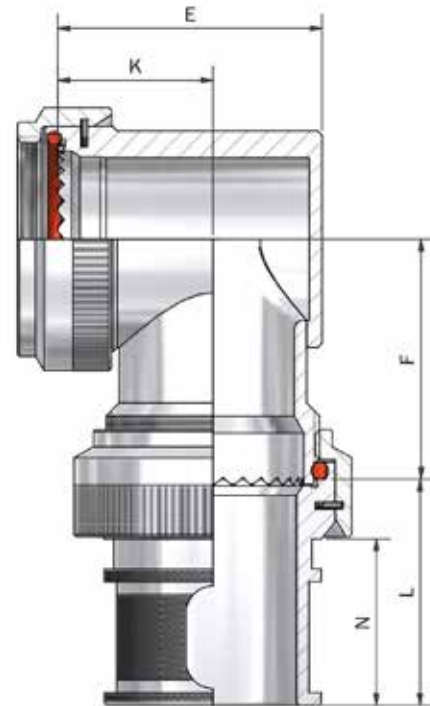
Interconnect Solutions Worldwide



ANGLE 1



ANGLE 2



ANGLE 3

DRAWING NOT TO SCALE, DIMENSIONS IN MM

SEE PAGES 18-26 FOR COMPLETE LIST OF AVAILABLE MATERIALS, FINISHES AND CONNECTOR INTERFACES
 (DIMENSIONS, FORM AND O RING SUBJECT TO CHANGE DEPENDING ON BACKSHELL MATERIAL AND CONNECTOR INTERFACE)

KMAF - Mesh Tape Termination

Interface F - MIL-DTL-38999 SERIES I



MANUFACTURED UNDER LICENCE

'AGUSTAWESTLAND HELICOPTERS UK PATENT 2239358'

Interconnect Solutions Worldwide

TABLE 1

SHELL SIZE	A THREAD	ØB MAX	C MAX	D MAX	E MAX	F MAX	K ±0,5	ØG MIN	ØH MAX
09	7/16-28 UNEF	18,0	12,5	14,5	20,0	21,5	13,7	6,8	13,2
11	9/16-24 UNEF	21,0	13,0	15,0	23,0	23,0	14,7	10,2	16,7
13	11/16-24 UNEF	24,5	13,6	15,5	27,0	24,5	17,2	13,1	20,0
15	13/16-20 UNEF	27,8	14,0	16,0	28,0	28,5	16,7	16,2	22,7
17	15/16-20 UNEF	30,8	15,0	17,0	31,0	30,0	18,2	19,3	25,4
19	1 1/16-18 UNEF	34,1	16,0	18,0	36,0	31,5	21,2	22,3	28,3
21	1 3/16-18 UNEF	37,3	16,6	18,5	39,0	33,0	22,2	25,8	31,6
23	1 5/16-18 UNEF	41,0	17,0	19,0	41,0	34,5	23,2	28,3	34,7
25	1 7/16-18 UNEF	43,7	17,4	19,5	47,0	36,0	27,7	31,5	37,9

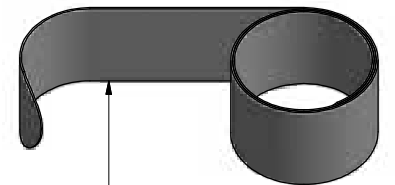
TABLE 2

SLOT OPTION	L ±0,5	M ±0,2	N ±0,2	MESH-TAPE PART NUMBER (ORDERED SEPARATELY - 25 M REEL)
S1	26,5	12,0	19,5	KM (6)
S2	34,5	20,0	27,5	KM (13)

TABLE 3

CODE	FINISH
C	ELECTROLESS NICKEL
B	CADMIUM OLIVE DRAB OVER ELECTROLESS NICKEL
ZB	ZINC COBALT OLIVE DRAB OVER ELECTROLESS NICKEL
ZN	ZINC NICKEL BLACK PASSIVATE OVER ELECTROLESS NICKEL

LIST NOT EXHAUSTIVE, SEE PLATING TABLE FOR OTHER OPTIONS



CONSTANT FORCE SPRING (HE)

KMAF1-17-1-C-S1-HE

SERIES _____
 CONNECTOR INTERFACE _____
 ANGLE _____
 SHELL SIZE (TABLE 1) _____
 MATERIAL _____
 ALUMINIUM ALLOY _____
 FINISH (TABLE 3) _____
 TERMINATION OPTION _____
 HE - CONSTANT FORCE SPRING _____
 OMIT FOR SUPPLIED WITHOUT SPRING

MESH TAPE

For tooling and assembly instructions see www.polamco.com

Backshell supplied with Spring if specified in the part number

Band can be ordered separately (see page 349)

Supplied without mesh tape, which needs to be ordered separately (see page 184)

Sealing and strain relief achieved with Heat Shrink Boot (see page 354)

Adhesive if required for assembly (see page 352)

Screenbraid for EMC/RFI screening (see page 350)

DRAWING NOT TO SCALE, DIMENSIONS IN MM

SEE PAGES 18-26 FOR COMPLETE LIST OF AVAILABLE MATERIALS, FINISHES AND CONNECTOR INTERFACES (DIMENSIONS, FORM AND O RING SUBJECT TO CHANGE DEPENDING ON BACKSHELL MATERIAL AND CONNECTOR INTERFACE)

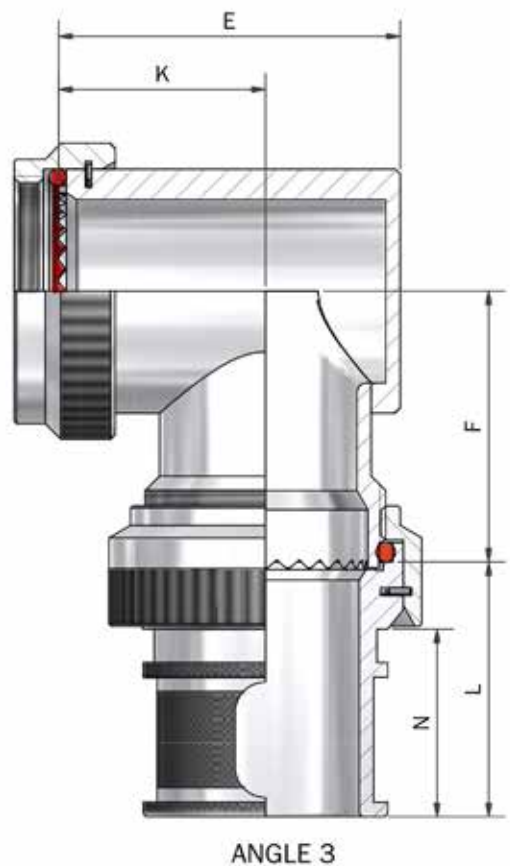
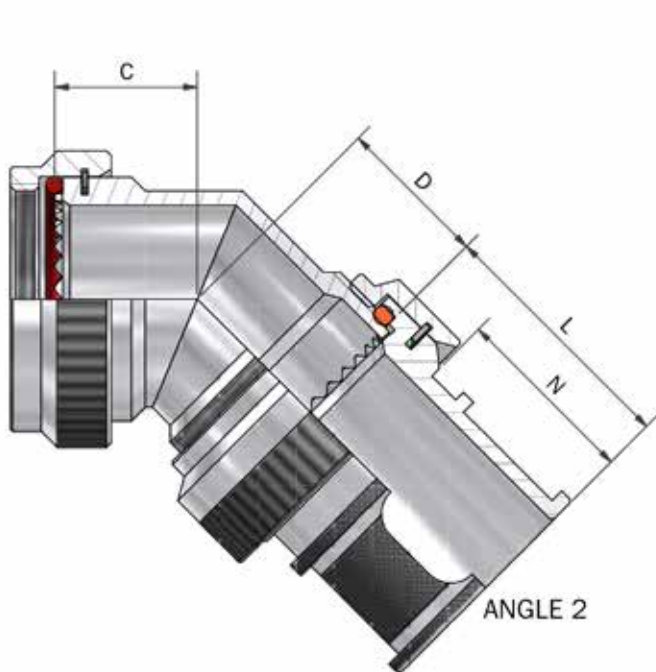
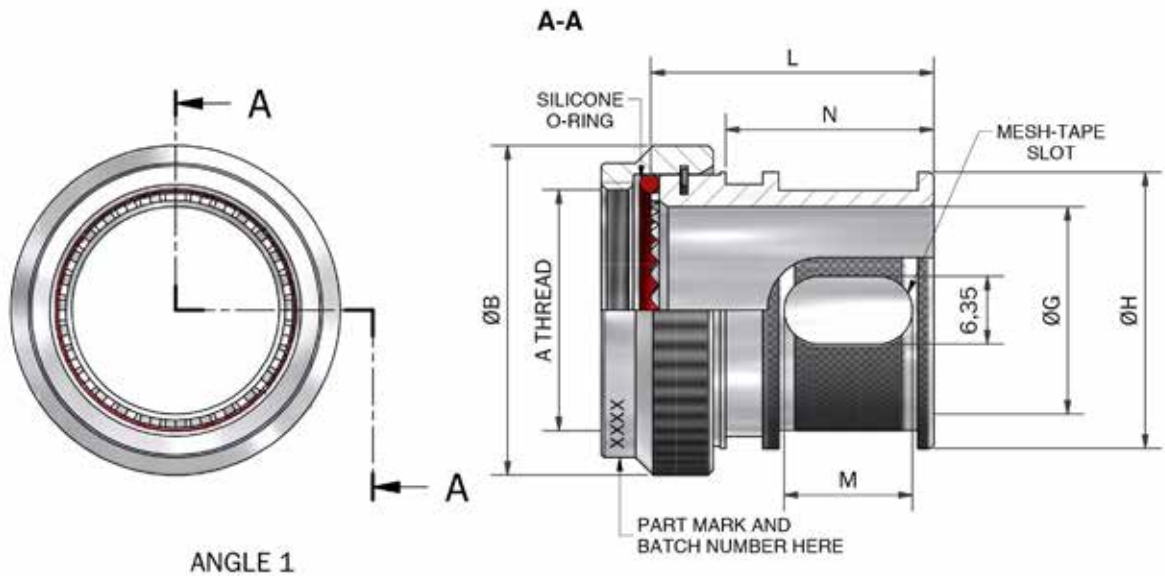
KMAF - Mesh Tape Termination

Interface F - MIL-DTL-38999 SERIES II

MANUFACTURED UNDER LICENCE
 'AGUSTAWESTLAND HELICOPTERS UK PATENT 2239358'



Interconnect Solutions Worldwide



DRAWING NOT TO SCALE, DIMENSIONS IN MM

SEE PAGES 18-26 FOR COMPLETE LIST OF AVAILABLE MATERIALS, FINISHES AND CONNECTOR INTERFACES
 (DIMENSIONS, FORM AND O RING SUBJECT TO CHANGE DEPENDING ON BACKSHELL MATERIAL AND CONNECTOR INTERFACE)

KMAF - Mesh Tape Termination

Interface F - MIL-DTL-38999 SERIES II

MANUFACTURED UNDER LICENCE

'AGUSTAWESTLAND HELICOPTERS UK PATENT 2239358'



Interconnect Solutions Worldwide

TABLE 1

SHELL SIZE	A THREAD	ØB MAX	C MAX	D MAX	E MAX	F MAX	K ±0,5	ØG MIN	ØH MAX
08	7/16-28 UNEF	18,3	12,5	14,5	23,0	21,5	13,7	6,6	13,2
10	9/16-24 UNEF	21,5	13,0	15,0	26,5	23,0	14,7	10,1	16,7
12	11/16-24 UNEF	24,5	13,6	15,5	29,5	24,5	17,2	12,9	20,0
14	13/16-20 UNEF	27,8	14,0	16,0	32,5	28,5	16,7	16,1	22,7
16	15/16-20 UNEF	30,8	15,0	17,0	36,0	30,0	18,2	19,3	25,4
18	1 1/16-18 UNEF	34,1	16,0	18,0	40,0	31,5	21,2	21,7	28,3
20	1 3/16-18 UNEF	37,3	16,6	18,5	42,5	33,0	22,2	24,9	31,6
22	1 5/16-18 UNEF	40,5	17,0	19,0	45,5	34,5	23,2	28,1	34,7
24	1 7/16-18 UNEF	43,7	17,4	19,5	48,5	36,0	27,7	31,3	37,9

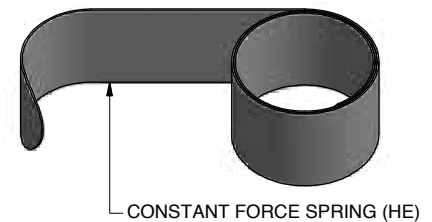
TABLE 2

SLOT OPTION	L ±0,5	M ±0,2	N ±0,2	MESH-TAPE PART NUMBER (ORDERED SEPARATELY - 25 M REEL)
S1	26,5	12,0	19,5	KM (6)
S2	34,5	20,0	27,5	KM (13)

TABLE 3

CODE	FINISH
C	ELECTROLESS NICKEL
B	CADMIUM OLIVE DRAB OVER ELECTROLESS NICKEL
ZB	ZINC COBALT OLIVE DRAB OVER ELECTROLESS NICKEL
ZN	ZINC NICKEL BLACK PASSIVATE OVER ELECTROLESS NICKEL

LIST NOT EXHAUSTIVE, SEE PLATING TABLE FOR OTHER OPTIONS



CONSTANT FORCE SPRING (HE)

MESH TAPE

KMAF1-16-1-C-S1-HE

SERIES _____
 CONNECTOR INTERFACE _____
 ANGLE _____
 SHELL SIZE (TABLE 1) _____
 MATERIAL _____
 ALUMINIUM ALLOY _____
 FINISH (TABLE 3) _____
 SLOT OPTION (TABLE 2) _____
 TERMINATION OPTION _____
 HE - CONSTANT FORCE SPRING
 OMIT FOR SUPPLIED WITHOUT SPRING

For tooling and assembly instructions see www.polamco.com

Backshell supplied with Spring if specified in the part number

Band can be ordered separately (see page 349)

Supplied without mesh tape, which needs to be ordered separately (see page 184)

Sealing and strain relief achieved with Heat Shrink Boot (see page 354)

Adhesive if required for assembly (see page 352)

Screenbraid for EMC/RFI screening (see page 350)

DRAWING NOT TO SCALE, DIMENSIONS IN MM

SEE PAGES 18-26 FOR COMPLETE LIST OF AVAILABLE MATERIALS, FINISHES AND CONNECTOR INTERFACES (DIMENSIONS, FORM AND O RING SUBJECT TO CHANGE DEPENDING ON BACKSHELL MATERIAL AND CONNECTOR INTERFACE)

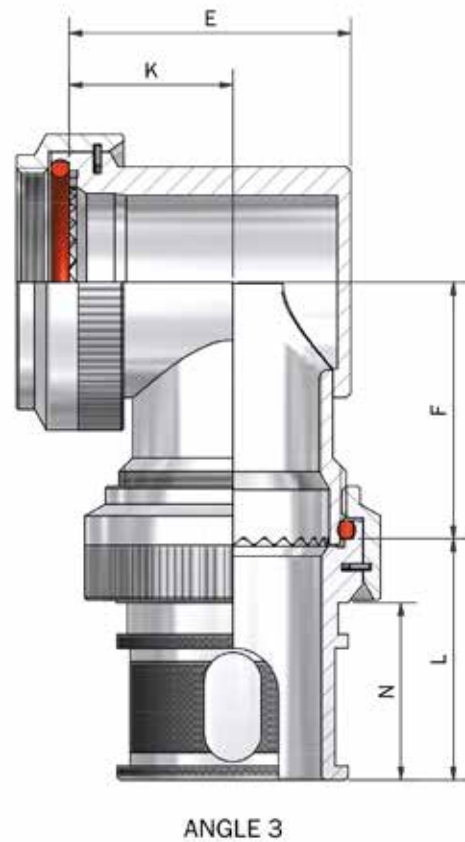
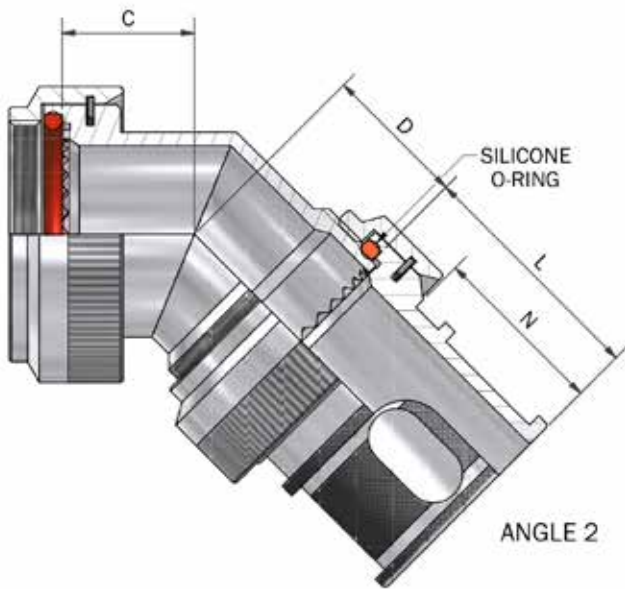
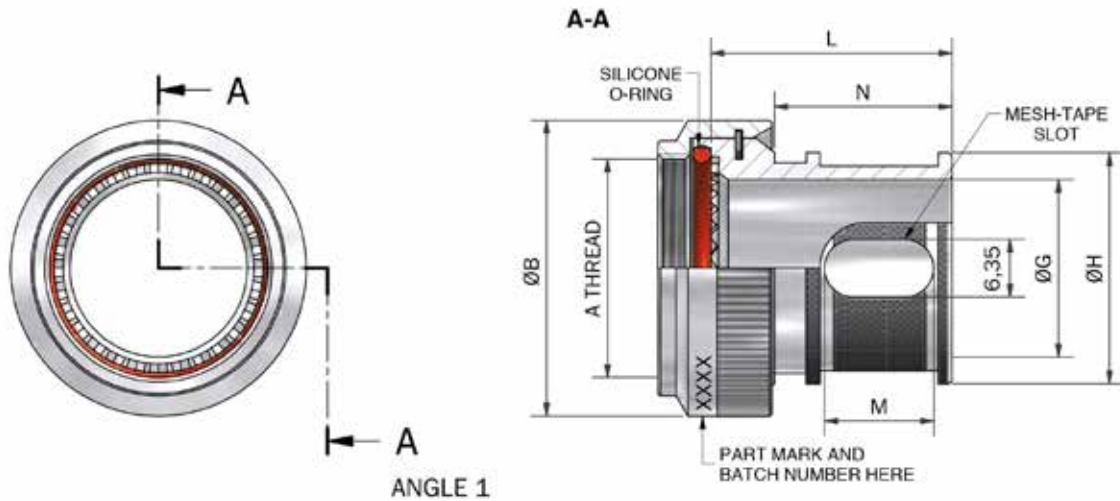
KMAH - Mesh Tape Termination

Interface H - MIL-DTL-38999 SERIES III & IV

MANUFACTURED UNDER LICENCE
 'AGUSTAWESTLAND HELICOPTERS UK PATENT 2239358'



Interconnect Solutions Worldwide



MESH TAPE

DRAWING NOT TO SCALE, DIMENSIONS IN MM

SEE PAGES 18-26 FOR COMPLETE LIST OF AVAILABLE MATERIALS, FINISHES AND CONNECTOR INTERFACES
 (DIMENSIONS, FORM AND O RING SUBJECT TO CHANGE DEPENDING ON BACKSHELL MATERIAL AND CONNECTOR INTERFACE)

KMAH - Mesh Tape Termination

Interface H - MIL-DTL-38999 SERIES III & IV



MANUFACTURED UNDER LICENCE
'AGUSTAWESTLAND HELICOPTERS UK PATENT 2239358'

Interconnect Solutions Worldwide

TABLE 1

SHELL SIZE	A THREAD	ØB MAX	C MAX	D MAX	E MAX	F MAX	K ±0,5	ØG MIN	ØH MAX
09	M12 x 1.0	18,0	12,5	14,5	20,0	21,5	13,5	6,8	13,2
11	M15 x 1.0	21,0	13,0	15,0	23,0	23,0	14,5	10,3	16,7
13	M18 x 1.0	24,5	13,6	15,5	27,0	24,5	17,0	13,6	20,0
15	M22 x 1.0	29,0	14,0	16,0	28,0	28,5	16,5	16,3	22,7
17	M25 x 1.0	32,5	15,0	17,0	31,0	30,0	18,0	19,5	25,4
19	M28 x 1.0	35,5	16,0	18,0	36,0	31,5	21,0	21,9	28,3
21	M31 x 1.0	37,0	16,6	18,5	39,0	33,0	22,0	25,2	31,6
23	M34 x 1.0	40,0	17,0	19,0	41,0	34,5	23,0	28,3	34,7
25	M37 x 1.0	43,5	17,4	19,5	47,0	36,0	27,5	31,5	37,9

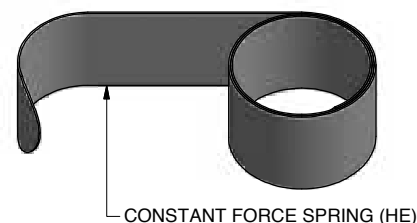
TABLE 2

SLOT OPTION	L ±0,5	M ±0,2	N ±0,2	MESH-TAPE PART NUMBER (ORDERED SEPARATELY- 25 M REEL)
S1	26,5	12,0	19,5	KM (6)
S2	34,5	20,0	27,5	KM (13)

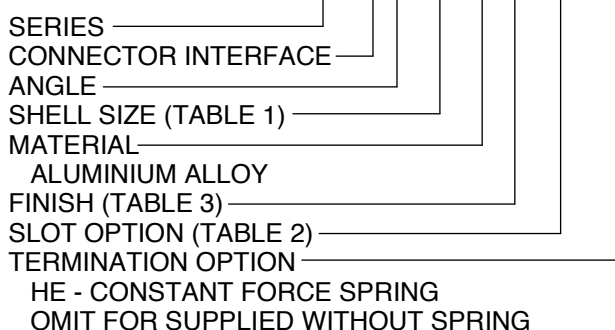
TABLE 3

CODE	FINISH
C	ELECTROLESS NICKEL
B	CADMIUM OLIVE DRAB OVER ELECTROLESS NICKEL
ZB	ZINC COBALT OLIVE DRAB OVER ELECTROLESS NICKEL
ZN	ZINC NICKEL BLACK PASSIVATE OVER ELECTROLESS NICKEL

LIST NOT EXHAUSTIVE, SEE PLATING TABLE FOR OTHER OPTIONS



KMAH1-17-1-C-S1-HE



MESH TAPE

For tooling and assembly instructions see www.polamco.com

- Backshell supplied with Spring if specified in the part number
- Band can be ordered separately (see page 349)
- Supplied without mesh tape, which needs to be ordered separately (see page 184)
- Sealing and strain relief achieved with Heat Shrink Boot (see page 354)
- Adhesive if required for assembly (see page 352)
- Screenbraid for EMC/RFI screening (see page 350)

DRAWING NOT TO SCALE, DIMENSIONS IN MM

SEE PAGES 18-26 FOR COMPLETE LIST OF AVAILABLE MATERIALS, FINISHES AND CONNECTOR INTERFACES (DIMENSIONS, FORM AND O RING SUBJECT TO CHANGE DEPENDING ON BACKSHELL MATERIAL AND CONNECTOR INTERFACE)

KMAF (D) - Mesh Tape Termination Double Slot version

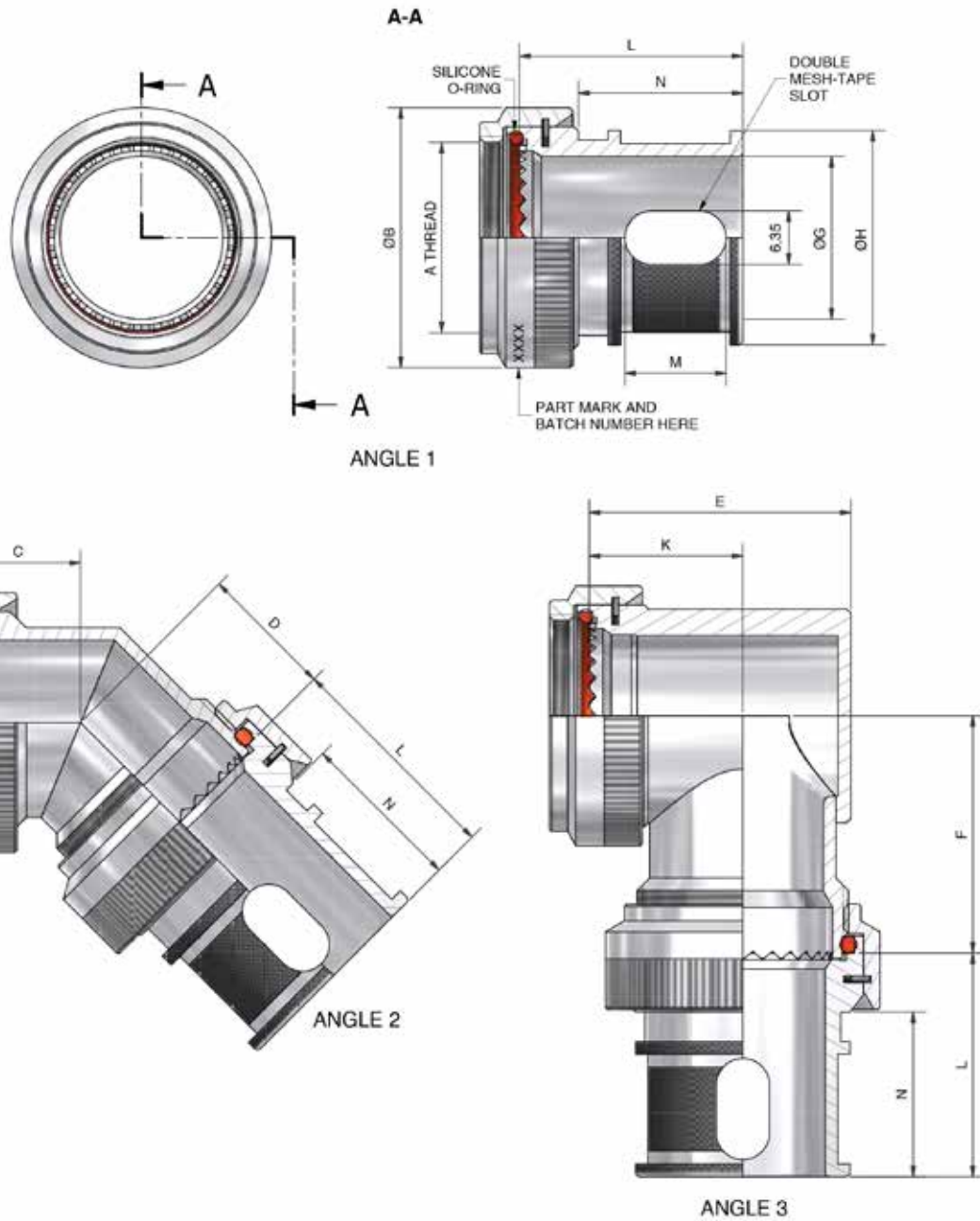
Interface F - MIL-DTL-38999 SERIES I

MANUFACTURED UNDER LICENCE

'AGUSTAWESTLAND HELICOPTERS UK PATENT 2239358'



Interconnect Solutions Worldwide



MESH TAPE

DRAWING NOT TO SCALE, DIMENSIONS IN MM

SEE PAGES 18-26 FOR COMPLETE LIST OF AVAILABLE MATERIALS, FINISHES AND CONNECTOR INTERFACES
(DIMENSIONS, FORM AND O RING SUBJECT TO CHANGE DEPENDING ON BACKSHELL MATERIAL AND CONNECTOR INTERFACE)

KMAF (D) - Mesh Tape Termination Double Slot version

Interface F - MIL-DTL-38999 SERIES I

MANUFACTURED UNDER LICENCE

'AGUSTAWESTLAND HELICOPTERS UK PATENT 2239358'



Interconnect Solutions Worldwide

TABLE 1

SHELL SIZE	A THREAD	ØB MAX	ØG	ØH MAX	C MAX	D MAX	E MAX	F MAX	K ± 0,5
09	7/16-28UNEF	18,0	6,7	13,2	12,5	14,5	20,0	21,5	13,7
11	9/16-24UNEF	21,0	10,2	16,7	13,0	15,0	23,0	23,0	14,7
13	11/16-24UNEF	24,5	13,0	19,5	13,6	15,5	24,5	24,5	17,2
15	13/16-20UNEF	27,8	16,2	22,7	14,0	16,0	28,5	28,5	16,7
17	15/16-20UNEF	30,8	19,4	25,4	15,0	17,0	30,0	30,0	18,2
19	1 1/16-18UNEF	34,1	22,3	28,3	16,0	18,0	31,5	31,5	21,2
21	1 3/16-18UNEF	37,3	25,8	31,6	16,6	18,5	33,0	33,0	22,2
23	1 5/16-18UNEF	41,0	28,1	34,7	17,0	19,0	34,5	34,5	23,2
25	1 7/16-18UNEF	43,7	31,4	37,9	17,4	19,5	36	36	24,2

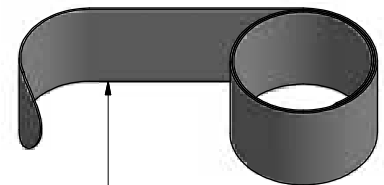
TABLE 2

DOUBLE SLOT OPTION	L ±0,5	M ±0,2	N ±0,2	MESH-TAPE PART NUMBER (ORDERED SEPARATELY- 25 M REEL)
D1	26,5	12,0	19,5	KM (6)
D2	34,5	20,0	27,5	KM (13)

TABLE 3

CODE	FINISH
C	ELECTROLESS NICKEL
B	CADMIUM OLIVE DRAB OVER ELECTROLESS NICKEL
ZB	ZINC COBALT OLIVE DRAB OVER ELECTROLESS NICKEL
ZN	ZINC NICKEL BLACK PASSIVATE OVER ELECTROLESS NICKEL

LIST NOT EXHAUSTIVE, SEE PLATING TABLE FOR OTHER OPTIONS



CONSTANT FORCE SPRING (HE)

KMAF1-17-1-C-D1-HE

SERIES _____
 STYLE _____
 CONNECTOR INTERFACE _____
 ANGLE _____
 SHELL SIZE (TABLE 1) _____
 MATERIAL _____
 ALUMINIUM ALLOY _____
 FINISH (TABLE 3) _____
 DOUBLE SLOT OPTION (TABLE 2) _____
 TERMINATION OPTION _____
 HE - CONSTANT FORCE SPRING
 OMIT FOR SUPPLIED WITHOUT SPRING

MESH TAPE

For tooling and assembly instructions see www.polamco.com

Backshell supplied with Spring if specified in the part number

Band can be ordered separately (see page 349)

Supplied without mesh tape, which needs to be ordered separately (see page 184)

Sealing and strain relief achieved with Heat Shrink Boot (see page 354)

Adhesive if required for assembly (see page 352)

Screenbraid for EMC/RFI screening (see page 350)

DRAWING NOT TO SCALE, DIMENSIONS IN MM

SEE PAGES 18-26 FOR COMPLETE LIST OF AVAILABLE MATERIALS, FINISHES AND CONNECTOR INTERFACES
 (DIMENSIONS, FORM AND O RING SUBJECT TO CHANGE DEPENDING ON BACKSHELL MATERIAL AND CONNECTOR INTERFACE)

KMAF (D) - Mesh Tape Termination Double Slot version

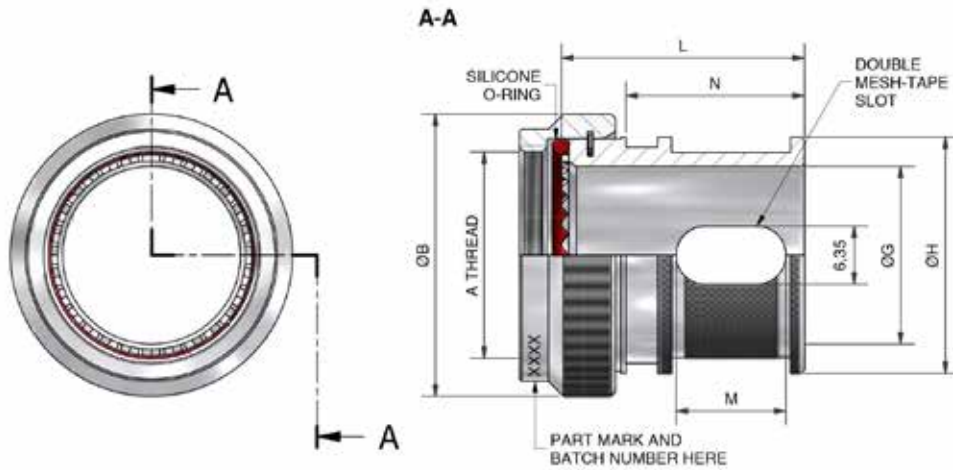
Interface F - MIL-DTL-38999 SERIES II

MANUFACTURED UNDER LICENCE

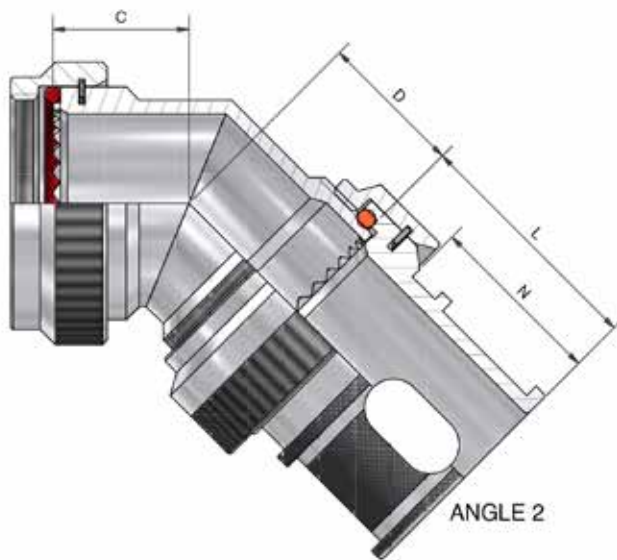
'AGUSTAWESTLAND HELICOPTERS UK PATENT 2239358'



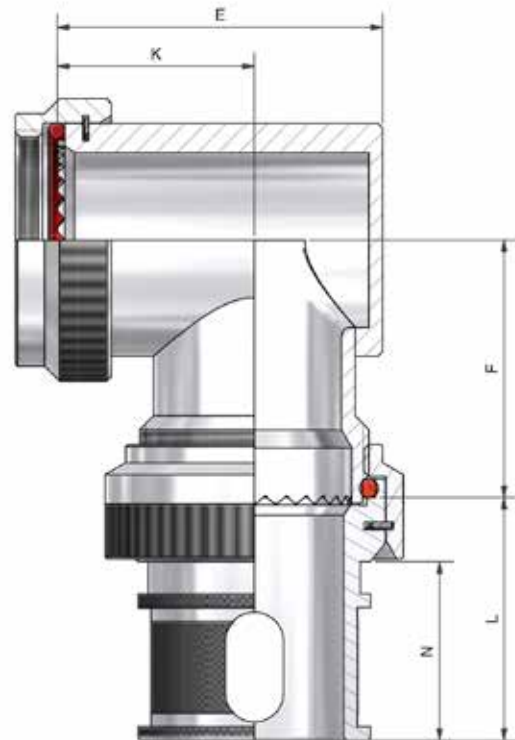
Interconnect Solutions Worldwide



ANGLE 1



ANGLE 2



ANGLE 3

MESH TAPE

DRAWING NOT TO SCALE, DIMENSIONS IN MM

SEE PAGES 18-26 FOR COMPLETE LIST OF AVAILABLE MATERIALS, FINISHES AND CONNECTOR INTERFACES
(DIMENSIONS, FORM AND O RING SUBJECT TO CHANGE DEPENDING ON BACKSHELL MATERIAL AND CONNECTOR INTERFACE)

KMAF (D) - Mesh Tape Termination Double Slot version

Interface F - MIL-DTL-38999 SERIES II

MANUFACTURED UNDER LICENCE

'AGUSTAWESTLAND HELICOPTERS UK PATENT 2239358'



Interconnect Solutions Worldwide

TABLE 1

SHELL SIZE	A THREAD	ØB MAX	ØG	ØH MAX	C MAX	D MAX	E MAX	F MAX	K ± 0,5
08	7/16-28UNEF	18,3	6,8	13,2	12,5	14,5	22,8	21,5	15,0
10	9/16-24UNEF	21,5	10,3	16,6	13,0	15,0	26,3	23,0	17,0
12	11/16-24UNEF	24,5	13,2	19,6	13,6	15,5	29,3	24,5	18,0
14	13/16-20UNEF	27,8	16,3	22,6	14,0	16,0	32,3	28,5	20,0
16	15/16-20UNEF	30,8	19,4	25,4	15,0	17,0	35,8	30,0	21,5
18	1 1/16-18UNEF	34,1	22,0	28,4	16,0	18,0	39,8	31,5	23,0
20	1 3/16-18UNEF	37,3	25,0	31,6	16,6	18,5	42,3	33,0	25,0
22	1 5/16-18UNEF	40,5	28,5	34,9	17,0	19,0	45,3	34,5	26,0
24	1 7/16-18UNEF	43,7	31,6	38,0	17,4	19,5	48,3	36,0	28,0

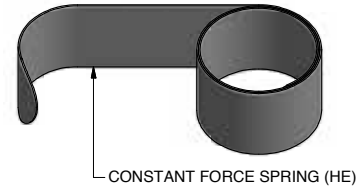
TABLE 2

DOUBLE SLOT OPTION	L ±0,5	M ±0,2	N ±0,2	MESH-TAPE PART NUMBER (ORDERED SEPARATELY - 25 M REEL)
D1	26,5	12,0	19,5	KM (6)
D2	34,5	20,0	27,5	KM (13)

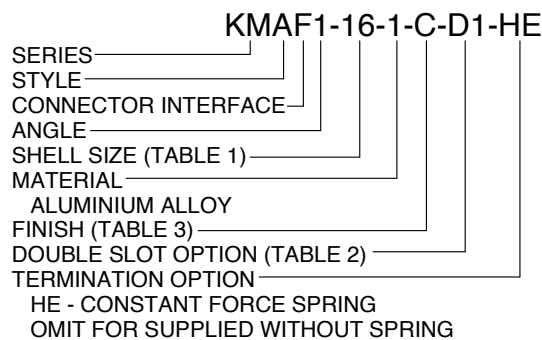
TABLE 3

CODE	FINISH
C	ELECTROLESS NICKEL
B	CADMIUM OLIVE DRAB OVER ELECTROLESS NICKEL
ZB	ZINC COBALT OLIVE DRAB OVER ELECTROLESS NICKEL
ZN	ZINC NICKEL BLACK PASSIVATE OVER ELECTROLESS NICKEL

LIST NOT EXHAUSTIVE, SEE PLATING TABLE FOR OTHER OPTIONS



CONSTANT FORCE SPRING (HE)



MESH TAPE

For tooling and assembly instructions see www.polamco.com

Backshell supplied with Spring if specified in the part number

Band can be ordered separately (see page 349)

Supplied without mesh tape, which needs to be ordered separately (see page 184)

Sealing and strain relief achieved with Heat Shrink Boot (see page 354)

Adhesive if required for assembly (see page 352)

Screenbraid for EMC/RFI screening (see page 350)

DRAWING NOT TO SCALE, DIMENSIONS IN MM

SEE PAGES 18-26 FOR COMPLETE LIST OF AVAILABLE MATERIALS, FINISHES AND CONNECTOR INTERFACES
(DIMENSIONS, FORM AND O RING SUBJECT TO CHANGE DEPENDING ON BACKSHELL MATERIAL AND CONNECTOR INTERFACE)

KMAH (D) - Mesh Tape Termination Double Slot version

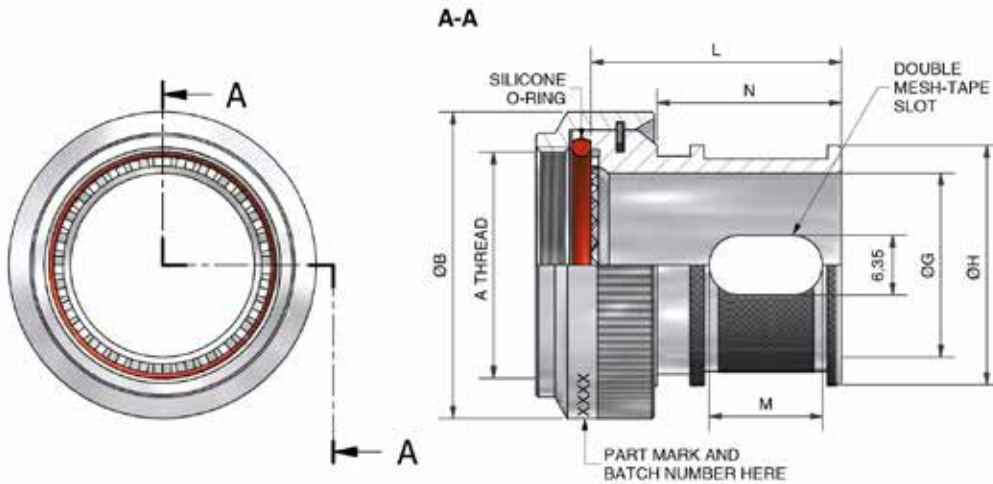
Interface H - MIL-DTL-38999 SERIES III & IV

MANUFACTURED UNDER LICENCE

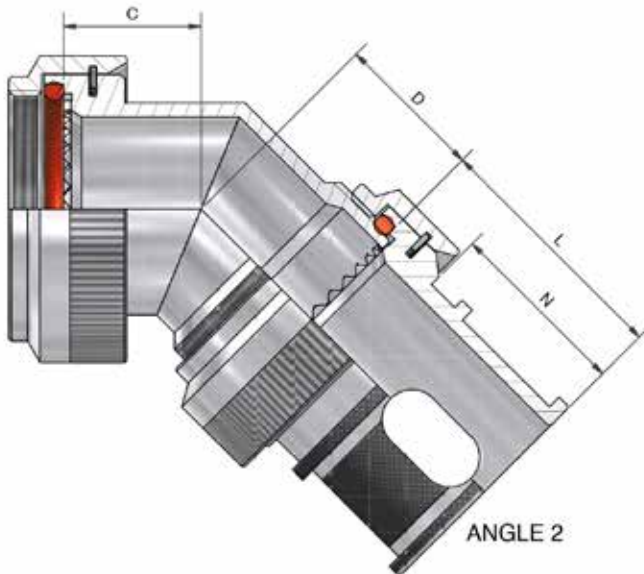
'AGUSTAWESTLAND HELICOPTERS UK PATENT 2239358'



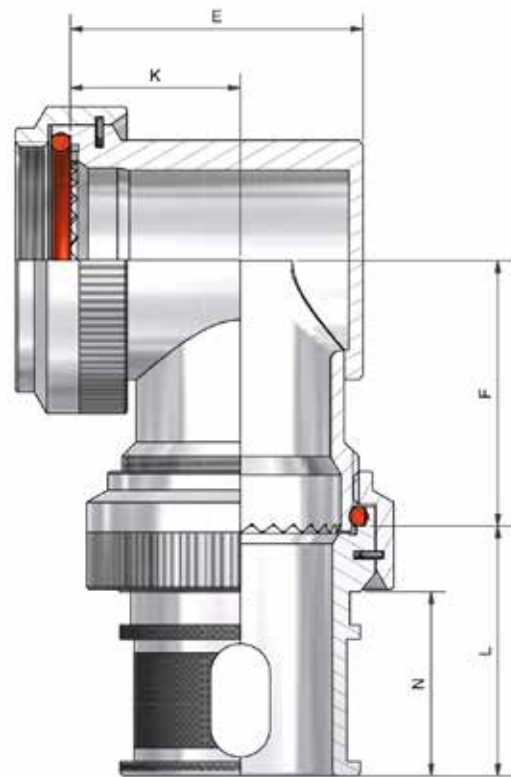
Interconnect Solutions Worldwide



ANGLE 1



ANGLE 2



ANGLE 3

DRAWING NOT TO SCALE, DIMENSIONS IN MM

SEE PAGES 18-26 FOR COMPLETE LIST OF AVAILABLE MATERIALS, FINISHES AND CONNECTOR INTERFACES
(DIMENSIONS, FORM AND O RING SUBJECT TO CHANGE DEPENDING ON BACKSHELL MATERIAL AND CONNECTOR INTERFACE)

KMAH (D) - Mesh Tape Termination Double Slot version

Interface H - MIL-DTL-38999 SERIES III & IV

MANUFACTURED UNDER LICENCE

'AGUSTAWESTLAND HELICOPTERS UK PATENT 2239358'



Interconnect Solutions Worldwide

TABLE 1

SHELL SIZE	A THREAD	ØB MAX	ØG	ØH MAX	C MAX	D MAX	E MAX	F MAX	K ± 0,5
09	M12 x 1.0	18,0	6,8	13,2	12,5	14,5	20,0	21,5	13,5
11	M15 x 1.0	21,0	10,3	16,7	13,0	15,0	23,0	23,0	14,5
13	M18 x 1.0	24,5	13,6	20,0	13,6	15,5	27,0	24,5	17,0
15	M22 x 1.0	29,0	16,3	22,7	14,0	16,0	28,0	28,5	16,5
17	M25 x 1.0	32,5	19,5	25,4	15,0	17,0	31,0	30,0	18,0
19	M28 x 1.0	35,5	21,9	28,3	16,0	18,0	36,0	31,5	21,0
21	M31 x 1.0	37,0	25,2	31,6	16,6	18,5	39,0	33,0	22,0
23	M34 x 1.0	40,0	28,3	34,7	17,0	19,0	41,0	34,5	23,0
25	M37 x 1.0	43,5	31,5	37,9	17,4	19,5	47,0	36,0	27,5

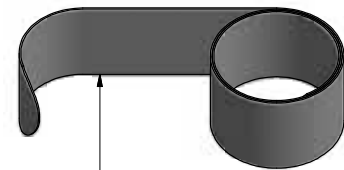
TABLE 2

DOUBLE SLOT OPTION	L ±0,5	M ±0,2	N ±0,2	MESH-TAPE PART NUMBER (ORDERED SEPARATELY - 25 M REEL)
D1	26,5	12,0	19,5	KM (6)
D2	34,5	20,0	27,5	KM (13)

TABLE 3

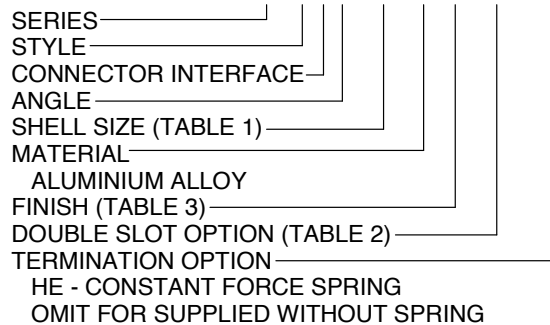
CODE	FINISH
C	ELECTROLESS NICKEL
B	CADMIUM OLIVE DRAB OVER ELECTROLESS NICKEL
ZB	ZINC COBALT OLIVE DRAB OVER ELECTROLESS NICKEL
ZN	ZINC NICKEL BLACK PASSIVATE OVER ELECTROLESS NICKEL

LIST NOT EXHAUSTIVE, SEE PLATING TABLE FOR OTHER OPTIONS



CONSTANT FORCE SPRING (HE)

KMAH1-17-1-C-D1-HE



MESH TAPE

For tooling and assembly instructions see www.polamco.com

Backshell supplied with Spring if specified in the part number

Band can be ordered separately (see page 349)

Supplied without mesh tape, which needs to be ordered separately (see page 184)

Sealing and strain relief achieved with Heat Shrink Boot (see page 354)

Adhesive if required for assembly (see page 352)

Screenbraid for EMC/RFI screening (see page 350)

DRAWING NOT TO SCALE, DIMENSIONS IN MM

SEE PAGES 18-26 FOR COMPLETE LIST OF AVAILABLE MATERIALS, FINISHES AND CONNECTOR INTERFACES (DIMENSIONS, FORM AND O RING SUBJECT TO CHANGE DEPENDING ON BACKSHELL MATERIAL AND CONNECTOR INTERFACE)

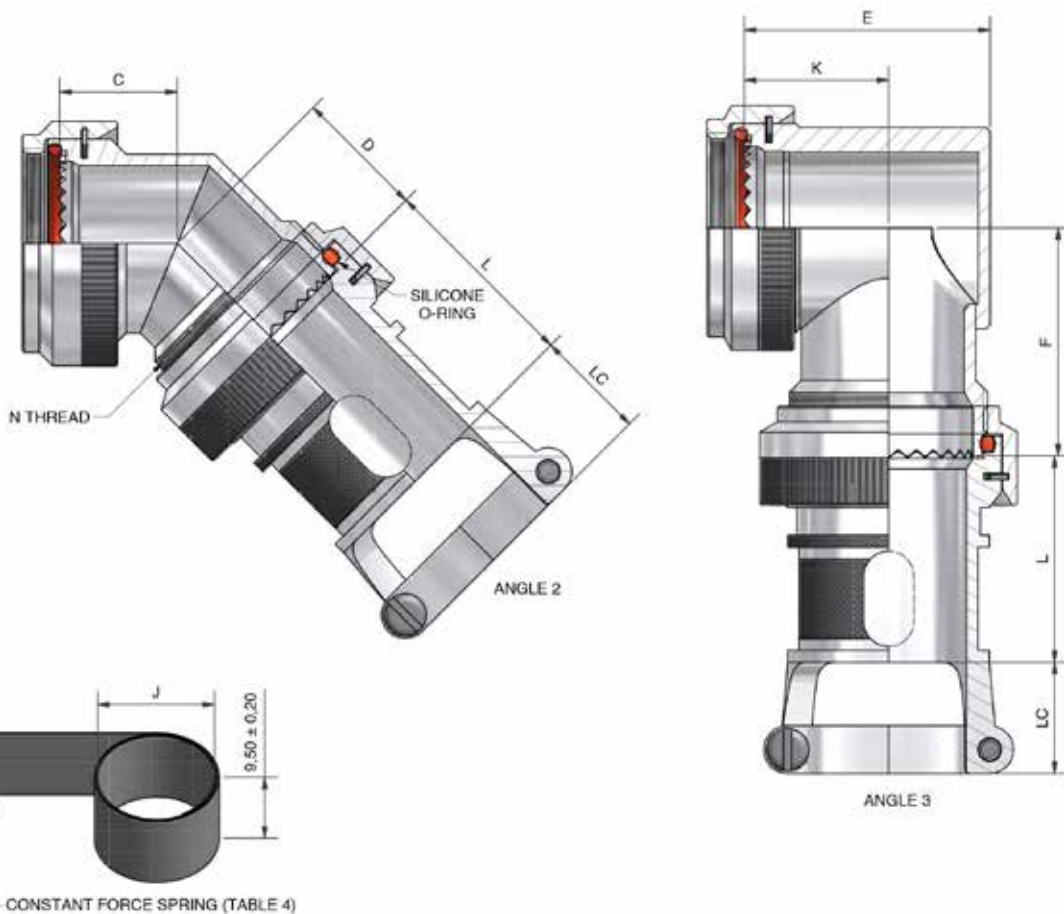
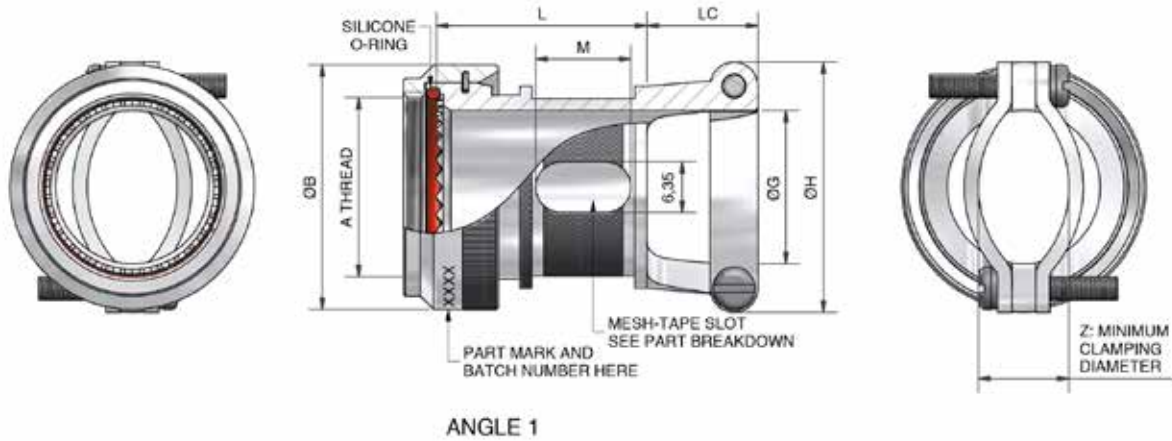
KMCCF - Mesh Tape Cable Clamp

Interface F - MIL-DTL-38999 SERIES I

MANUFACTURED UNDER LICENCE
 'AGUSTAWESTLAND HELICOPTERS UK PATENT 2239358'



Interconnect Solutions Worldwide



DRAWING NOT TO SCALE, DIMENSIONS IN MM

SEE PAGES 18-26 FOR COMPLETE LIST OF AVAILABLE MATERIALS, FINISHES AND CONNECTOR INTERFACES
 (DIMENSIONS, FORM AND O RING SUBJECT TO CHANGE DEPENDING ON BACKSHELL MATERIAL AND CONNECTOR INTERFACE)

KMCCF - Mesh Tape Cable Clamp

Interface F - MIL-DTL-38999 SERIES I



MANUFACTURED UNDER LICENCE

'AGUSTAWESTLAND HELICOPTERS UK PATENT 2239358'

Interconnect Solutions Worldwide

TABLE 1

SHELL SIZE	A THREAD	ØB MAX	ØG MIN	ØH MAX	LC ±0,2	C MAX	D MAX	E MAX	F MAX	K ±0,5	Z ±0,5	SPRING REF.	N THREAD
09	7/16-28UNEF	18,0	6,8	19,0	14,0	12,5	14,5	20,0	21,5	13,7	5,7	HE050	M12x1.0
11	9/16-24UNEF	21,0	10,2	22,2	14,0	13,0	15,0	23,0	23,0	14,7	6,9	HE100	M15x1.0
13	11/16-24UNEF	24,5	13,1	25,2	14,0	13,6	15,5	27,0	24,5	17,2	8,5	HE200	M18x1.0
15	13/16-20UNEF	27,8	16,2	28,5	14,0	14,0	16,0	28,0	28,5	16,7	10,4	HE200	M22x1.0
17	15/16-20UNEF	30,8	19,3	31,7	14,0	15,0	17,0	31,0	30,0	18,2	11,4	HE300	M25x1.0
19	1 1/16-18UNEF	34,1	22,3	34,9	17,0	16,0	18,0	36,0	31,5	21,2	14,9	HE300	M28x1.0
21	1 3/16-18UNEF	37,3	25,8	39,0	21,0	16,6	18,5	39,0	33,0	22,2	16,8	HE300	M31x1.0
23	1 5/16-18UNEF	41,0	28,3	42,8	21,0	17,0	19,0	41,0	34,5	23,2	23,9	HE400	M34x1.0
25	1 7/16-18UNEF	43,7	31,5	46,0	21,0	17,4	19,5	47,0	36,0	27,7	22,8	HE400	M37x1.0

TABLE 2

SLOT OPTION	L ±0,5	M ±0,2	MESH-TAPE PART NUMBER (ORDERED SEPARATELY - 25 M REEL)
S1	26,5	12,0	KM (6)
S2	34,5	20,0	KM (13)
D1	26,5	12,0	KM (6)
D2	34,5	20,0	KM (13)

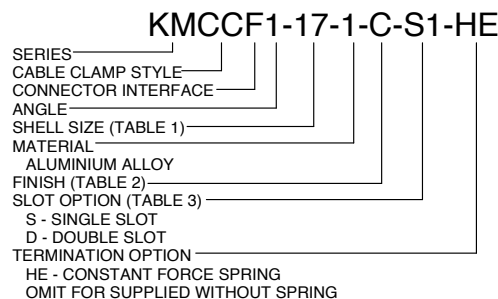
TABLE 4

SPRING REF.	J MAX (UNCONSTRAINED)
HE050	7,5
HE100	8,0
HE200	12,8
HE300	17,9
HE400	21,8

TABLE 3

CODE	FINISH
C	ELECTROLESS NICKEL
B	CADMIUM OLIVE DRAB OVER ELECTROLESS NICKEL
ZB	ZINC COBALT OLIVE DRAB OVER ELECTROLESS NICKEL
ZN	ZINC NICKEL BLACK PASSIVATE OVER ELECTROLESS NICKEL

LIST NOT EXHAUSTIVE, SEE PLATING TABLE FOR OTHER OPTIONS



MESH TAPE

For tooling and assembly instructions see www.polamco.com

Backshell supplied with Spring if specified in the part number

Band can be ordered separately (see page 349)

Supplied without mesh tape, which needs to be ordered separately (see page 184)

Sealing and strain relief achieved with Heat Shrink Boot (see page 354)

Adhesive if required for assembly (see page 352)

Screenbraid for EMC/RFI screening (see page 350)

DRAWING NOT TO SCALE, DIMENSIONS IN MM

SEE PAGES 18-26 FOR COMPLETE LIST OF AVAILABLE MATERIALS, FINISHES AND CONNECTOR INTERFACES (DIMENSIONS, FORM AND O RING SUBJECT TO CHANGE DEPENDING ON BACKSHELL MATERIAL AND CONNECTOR INTERFACE)

KMCCF - Mesh Tape Cable Clamp

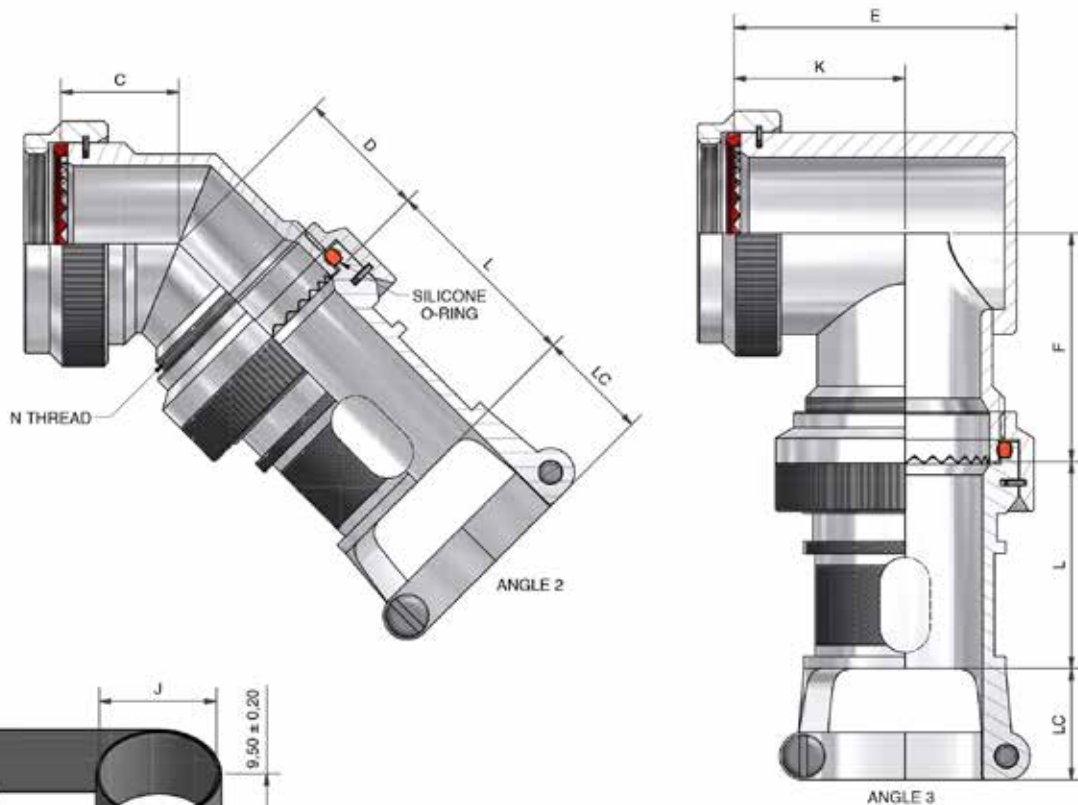
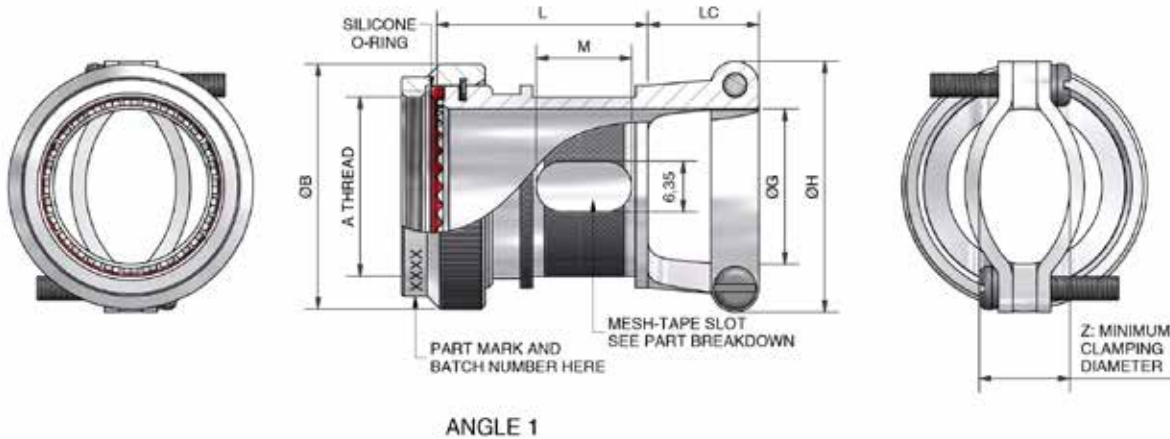
Interface F - MIL-DTL-38999 SERIES II

MANUFACTURED UNDER LICENCE

'AGUSTAWESTLAND HELICOPTERS UK PATENT 2239358'



Interconnect Solutions Worldwide



MESH TAPE

DRAWING NOT TO SCALE, DIMENSIONS IN MM

SEE PAGES 18-26 FOR COMPLETE LIST OF AVAILABLE MATERIALS, FINISHES AND CONNECTOR INTERFACES (DIMENSIONS, FORM AND O RING SUBJECT TO CHANGE DEPENDING ON BACKSHELL MATERIAL AND CONNECTOR INTERFACE)

KMCCF - Mesh Tape Cable Clamp

Interface F - MIL-DTL-38999 SERIES II

MANUFACTURED UNDER LICENCE

'AGUSTAWESTLAND HELICOPTERS UK PATENT 2239358'



Interconnect Solutions Worldwide

TABLE 1

SHELL SIZE	A THREAD	ØB MAX	ØG MIN	ØH MAX	LC ±0,2	C MAX	D MAX	E MAX	F MAX	K ±0,5	Z ±0,5	SPRING REF.	N THREAD
08	7/16-28UNEF	18,3	6,6	19,0	14,0	12,5	14,5	23,0	21,5	13,7	5,7	HE050	M12x1.0
10	9/16-24UNEF	21,5	10,1	22,2	14,0	13,0	15,0	26,5	23,0	14,7	6,9	HE100	M15x1.0
12	11/16-24UNEF	24,5	12,9	25,2	14,0	13,6	15,5	29,5	24,5	17,2	8,5	HE200	M18x1.0
14	13/16-20UNEF	27,8	16,1	28,5	14,0	14,0	16,0	32,5	28,5	16,7	10,4	HE200	M22x1.0
16	15/16-20UNEF	30,8	19,3	31,7	14,0	15,0	17,0	36,0	30,0	18,2	11,4	HE300	M25x1.0
18	1 1/16-18UNEF	34,1	21,7	34,9	17,0	16,0	18,0	40,0	31,5	21,2	14,9	HE300	M28x1.0
20	1 3/16-18UNEF	37,3	24,9	39,0	21,0	16,6	18,5	42,5	33,0	22,2	16,8	HE300	M31x1.0
22	1 5/16-18UNEF	40,5	28,1	42,8	21,0	17,0	19,0	45,5	34,5	23,2	23,9	HE400	M34x1.0
24	1 7/16-18UNEF	43,7	31,3	46,0	21,0	17,4	19,5	48,5	36,0	27,7	22,8	HE400	M37x1.0

TABLE 2

SLOT OPTION	L ±0,5	M ±0,2	MESH-TAPE PART NUMBER (ORDERED SEPARATELY- 25 M REEL)
S1	26,5	12,0	KM (6)
S2	34,5	20,0	KM (13)
D1	26,5	12,0	KM (6)
D2	34,5	20,0	KM (13)

TABLE 4

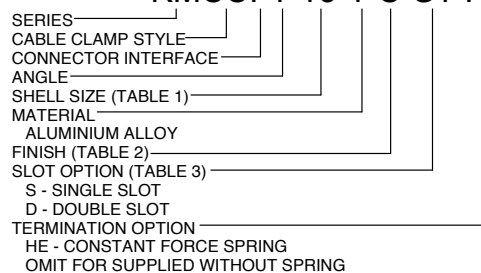
SPRING REF.	J MAX (UNCONSTRAINED)
HE050	7,5
HE100	8,0
HE200	12,8
HE300	17,9
HE400	21,8

TABLE 3

CODE	FINISH
C	ELECTROLESS NICKEL
B	CADMIUM OLIVE DRAB OVER ELECTROLESS NICKEL
ZB	ZINC COBALT OLIVE DRAB OVER ELECTROLESS NICKEL
ZN	ZINC NICKEL BLACK PASSIVATE OVER ELECTROLESS NICKEL

LIST NOT EXHAUSTIVE, SEE PLATING TABLE FOR OTHER OPTIONS

KMCCF1-16-1-C-S1-HE



For tooling and assembly instructions see www.polamco.com

Backshell supplied with Spring if specified in the part number

Band can be ordered separately (see page 349)

Supplied without mesh tape, which needs to be ordered separately (see page 184)

Sealing and strain relief achieved with Heat Shrink Boot (see page 354)

Adhesive if required for assembly (see page 352)

Screenbraid for EMC/RFI screening (see page 350)

DRAWING NOT TO SCALE, DIMENSIONS IN MM

SEE PAGES 18-26 FOR COMPLETE LIST OF AVAILABLE MATERIALS, FINISHES AND CONNECTOR INTERFACES (DIMENSIONS, FORM AND O RING SUBJECT TO CHANGE DEPENDING ON BACKSHELL MATERIAL AND CONNECTOR INTERFACE)

KMCCH - Mesh Tape Cable Clamp

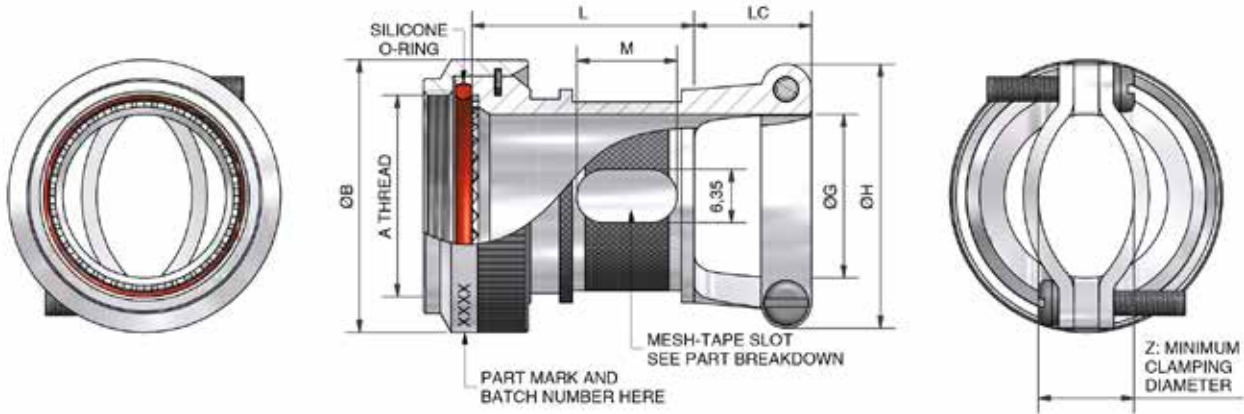
Interface H - MIL-DTL-38999 SERIES III & IV

MANUFACTURED UNDER LICENCE

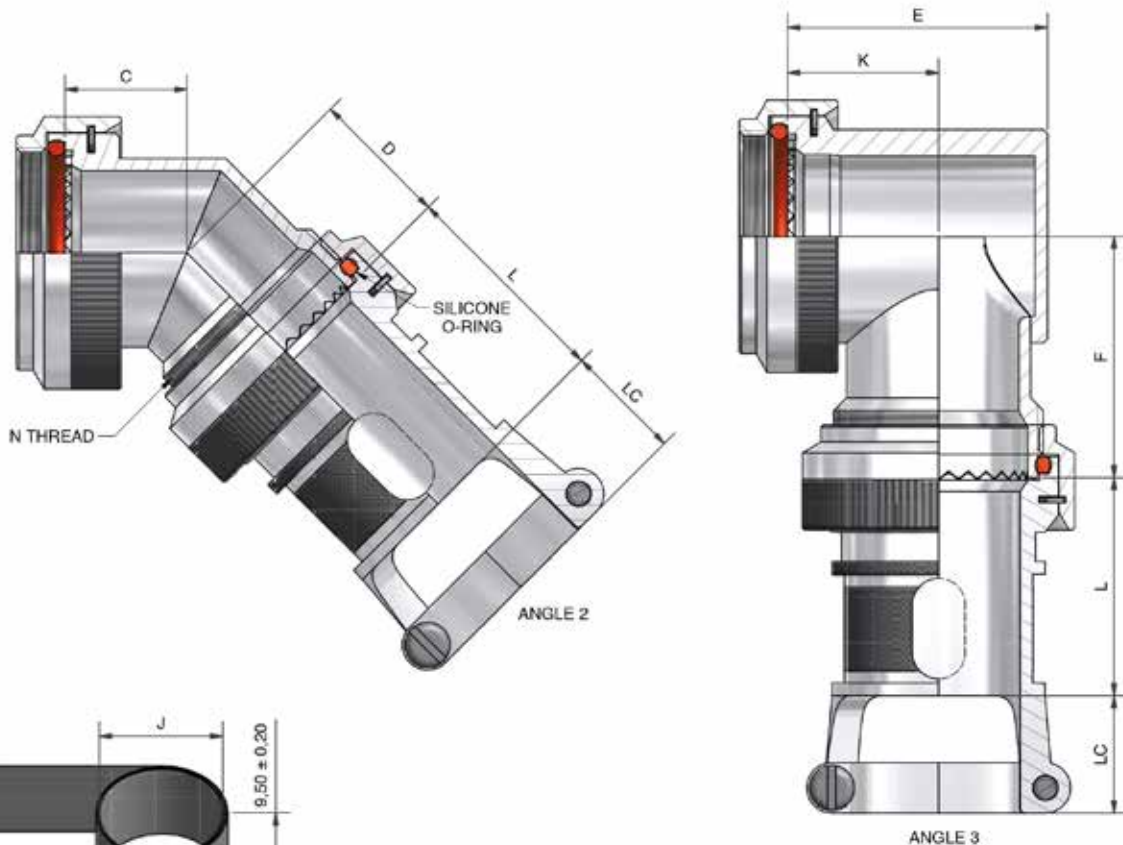
'AGUSTAWESTLAND HELICOPTERS UK PATENT 2239358'



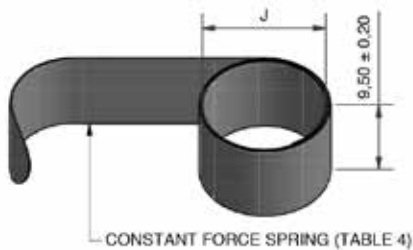
Interconnect Solutions Worldwide



ANGLE 1



ANGLE 3



DRAWING NOT TO SCALE, DIMENSIONS IN MM

SEE PAGES 18-26 FOR COMPLETE LIST OF AVAILABLE MATERIALS, FINISHES AND CONNECTOR INTERFACES (DIMENSIONS, FORM AND O RING SUBJECT TO CHANGE DEPENDING ON BACKSHELL MATERIAL AND CONNECTOR INTERFACE)

KMCCH - Mesh Tape Cable Clamp

Interface H - MIL-DTL-38999 SERIES III & IV



MANUFACTURED UNDER LICENCE

'AGUSTAWESTLAND HELICOPTERS UK PATENT 2239358'

Interconnect Solutions Worldwide

TABLE 1

SHELL SIZE	A THREAD	ØB MAX	ØG MIN	ØH MAX	LC ±0,2	C MAX	D MAX	E MAX	F MAX	K ±0,5	Z ±0,5	SPRING REF.	N THREAD
09	M12x1.0	18,0	6,8	19,0	14,0	12,5	14,5	20,0	21,5	15,5	5,7	HE050	M12x1.0
11	M15x1.0	21,0	10,3	22,2	14,0	13,0	15,0	23,0	23,0	16,5	6,9	HE100	M15x1.0
13	M18x1.0	24,5	13,6	25,2	14,0	13,6	15,5	27,0	24,5	19,0	8,5	HE200	M18x1.0
15	M22x1.0	29,0	16,3	28,5	14,0	14,0	16,0	28,0	28,5	18,5	10,4	HE200	M22x1.0
17	M25x1.0	32,5	19,5	31,7	14,0	15,0	17,0	31,0	30,0	20,0	11,4	HE300	M25x1.0
19	M28x1.0	35,5	21,9	34,9	17,0	16,0	18,0	36,0	31,5	23,0	14,9	HE300	M28x1.0
21	M31x1.0	37,0	25,2	39,0	21,0	16,6	18,5	39,0	33,0	24,0	16,8	HE300	M31x1.0
23	M34x1.0	40,0	28,3	42,8	21,0	17,0	19,0	41,0	34,5	25,0	23,9	HE400	M34x1.0
25	M37x1.0	43,5	31,5	46,0	21,0	17,4	19,5	47,0	36,0	29,5	22,8	HE400	M37x1.0

TABLE 2

SLOT OPTION	L ±0,5	M ±0,2	MESH-TAPE PART NUMBER (ORDERED SEPARATELY- 25 M REEL)
S1	26,5	12,0	KM (6)
S2	34,5	20,0	KM (13)
D1	26,5	12,0	KM (6)
D2	34,5	20,0	KM (13)

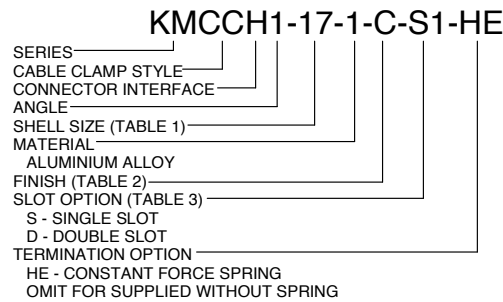
TABLE 4

SPRING REF.	J MAX (UNCONSTRAINED)
HE050	7,5
HE100	8,0
HE200	12,8
HE300	17,9
HE400	21,8

TABLE 3

CODE	FINISH
C	ELECTROLESS NICKEL
B	CADMIUM OLIVE DRAB OVER ELECTROLESS NICKEL
ZB	ZINC COBALT OLIVE DRAB OVER ELECTROLESS NICKEL
ZN	ZINC NICKEL BLACK PASSIVATE OVER ELECTROLESS NICKEL

LIST NOT EXHAUSTIVE, SEE PLATING TABLE FOR OTHER OPTIONS



MESH TAPE

For tooling and assembly instructions see www.polamco.com

Backshell supplied with Spring if specified in the part number

Band can be ordered separately (see page 349)

Supplied without mesh tape, which needs to be ordered separately (see page 184)

Sealing and strain relief achieved with Heat Shrink Boot (see page 354)

Adhesive if required for assembly (see page 352)

Screenbraid for EMC/RFI screening (see page 350)

DRAWING NOT TO SCALE, DIMENSIONS IN MM

SEE PAGES 18-26 FOR COMPLETE LIST OF AVAILABLE MATERIALS, FINISHES AND CONNECTOR INTERFACES (DIMENSIONS, FORM AND O RING SUBJECT TO CHANGE DEPENDING ON BACKSHELL MATERIAL AND CONNECTOR INTERFACE)

Knitted Wire Mesh Tape

Used with KM Series - Knit Mesh Backshells



Interconnect Solutions Worldwide



MESH TAPE

DRAWING NOT TO SCALE, DIMENSIONS IN MM

SEE PAGES 18-26 FOR COMPLETE LIST OF AVAILABLE MATERIALS, FINISHES AND CONNECTOR INTERFACES
(DIMENSIONS, FORM AND O RING SUBJECT TO CHANGE DEPENDING ON BACKSHELL MATERIAL AND CONNECTOR INTERFACE)

Knitted Wire Mesh Tape

Used with KM Series - Knit Mesh Backshells



Interconnect Solutions Worldwide

Wire mesh EMI shielding tapes are constructed from knitting a fine wire into a double thickness layflat stocking.

The tape is highly flexible, light, corrosion and high temperature resistant but also stronger and more resistant to abrasion and physical damage than other tape materials.

TABLE 1

Material	Wire Diameter
Tinned Copper (BS 4109 with 0.7-1 micron tin plate)	0.11mm

TABLE 2

Width	Part Number	Roll Length
6mm	KM(6)	25m
13mm	KM(13)	25m

MESH TAPE

DRAWING NOT TO SCALE, DIMENSIONS IN MM

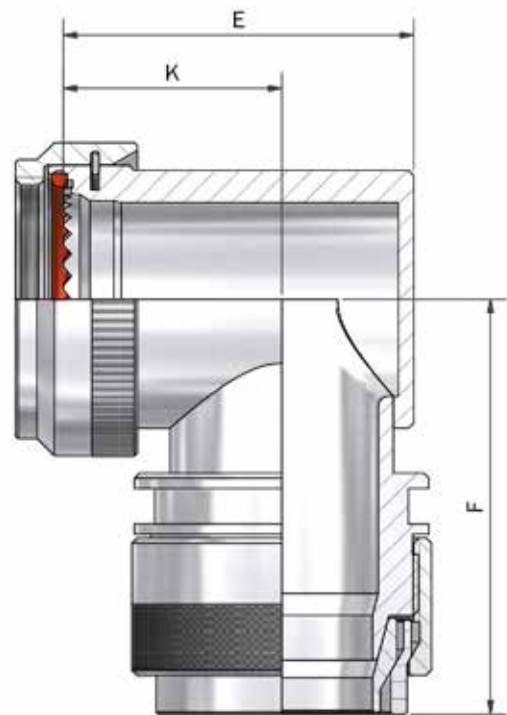
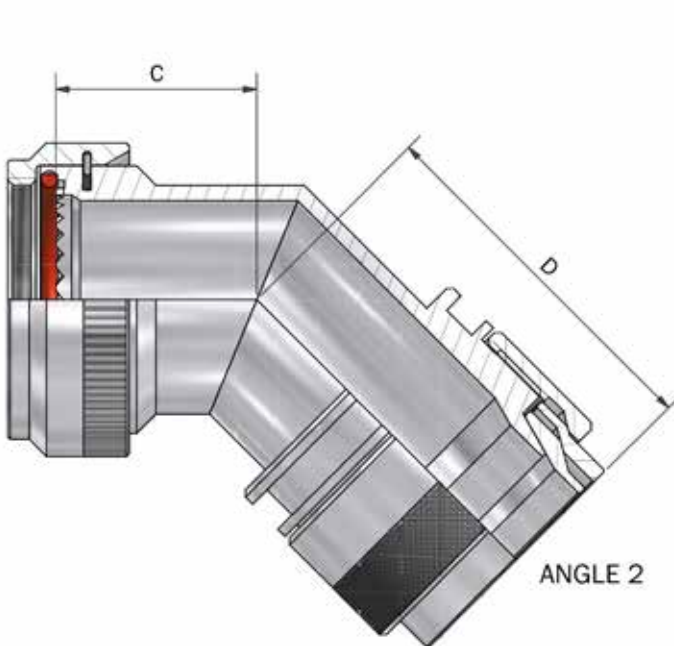
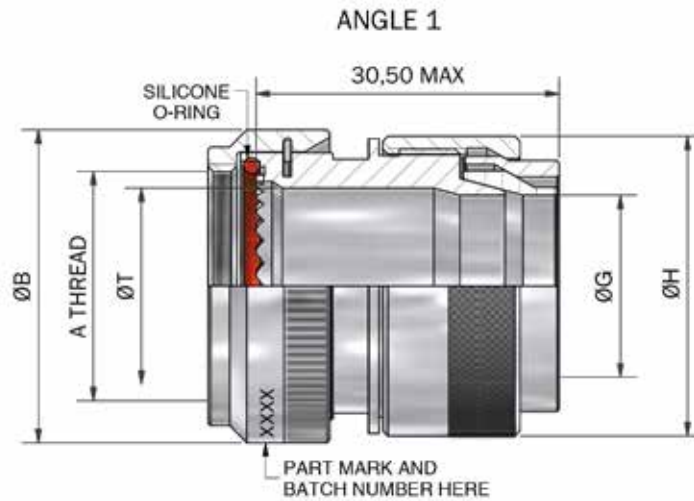
SEE PAGES 18-26 FOR COMPLETE LIST OF AVAILABLE MATERIALS, FINISHES AND CONNECTOR INTERFACES (DIMENSIONS, FORM AND O RING SUBJECT TO CHANGE DEPENDING ON BACKSHELL MATERIAL AND CONNECTOR INTERFACE)

308F - Dual Cone Termination

Interface F - MIL-DTL-38999 SERIES I



Interconnect Solutions Worldwide



CONE TERMINATION

DRAWING NOT TO SCALE, DIMENSIONS IN MM

SEE PAGES 18-26 FOR COMPLETE LIST OF AVAILABLE MATERIALS, FINISHES AND CONNECTOR INTERFACES (DIMENSIONS, FORM AND O RING SUBJECT TO CHANGE DEPENDING ON BACKSHELL MATERIAL AND CONNECTOR INTERFACE)

308F - Dual Cone Termination

Interface F - MIL-DTL-38999 SERIES I



Interconnect Solutions Worldwide

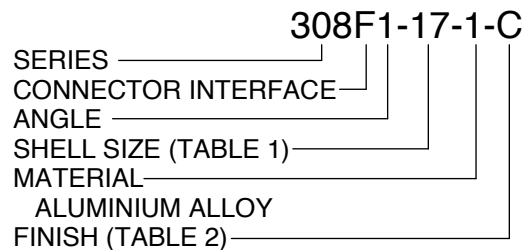
TABLE 1

SHELL SIZE	A THREAD	ØB MAX	C ±0,5	D MAX	ØT MIN	ØG MIN	ØH MAX	E MAX	F MAX	K ±0,5
09	7/16-28 UNEF	18,0	16,4	33,3	6,8	6,9	18,4	22,7	35,2	15,0
11	9/16-24 UNEF	21,0	17,2	34,5	10,2	9,6	22,0	26,2	37,0	17,0
13	11/16-24 UNEF	24,5	17,6	34,9	13,1	12,7	24,0	29,2	38,5	18,0
15	13/16-20 UNEF	27,8	18,5	35,8	16,2	14,8	27,0	32,2	40,0	20,0
17	15/16-20 UNEF	30,8	19,2	36,6	19,3	17,9	29,5	35,7	41,2	21,5
19	1 1/16-18 UNEF	34,1	19,6	36,6	22,3	19,9	33,9	39,7	43,3	23,0
21	1 3/16-18 UNEF	37,3	20,4	37,7	25,8	23,1	37,0	42,2	44,9	25,0
23	1 5/16-18 UNEF	41,0	20,8	38,1	28,3	26,2	40,8	45,2	46,4	26,0
25	1 7/16-18 UNEF	43,7	21,7	39,0	31,5	28,8	43,0	48,2	47,9	28,0

TABLE 2

CODE	FINISH
C	ELECTROLESS NICKEL
B	CADMIUM OLIVE DRAB OVER ELECTROLESS NICKEL
ZB	ZINC COBALT OLIVE DRAB OVER ELECTROLESS NICKEL
ZN	ZINC NICKEL BLACK PASSIVATE OVER ELECTROLESS NICKEL

LIST NOT EXHAUSTIVE, SEE PLATING TABLE FOR OTHER OPTIONS



CONE TERMINATION

For tooling and assembly instructions see www.polamco.com

Backshell supplied with Cone(s)
Sealing and strain relief achieved with Heat Shrink Boot for non CC versions (see page 354)
Adhesive if required for assembly (see page 352)
Screenbraid for EMC/RFI screening (see page 350)

DRAWING NOT TO SCALE, DIMENSIONS IN MM

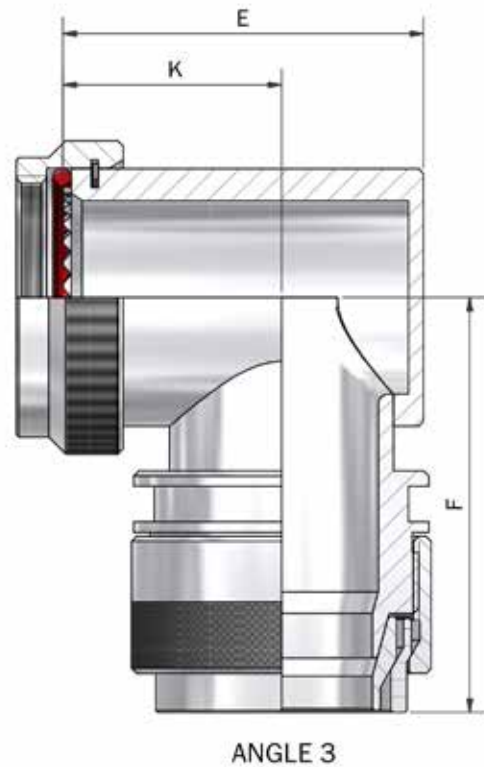
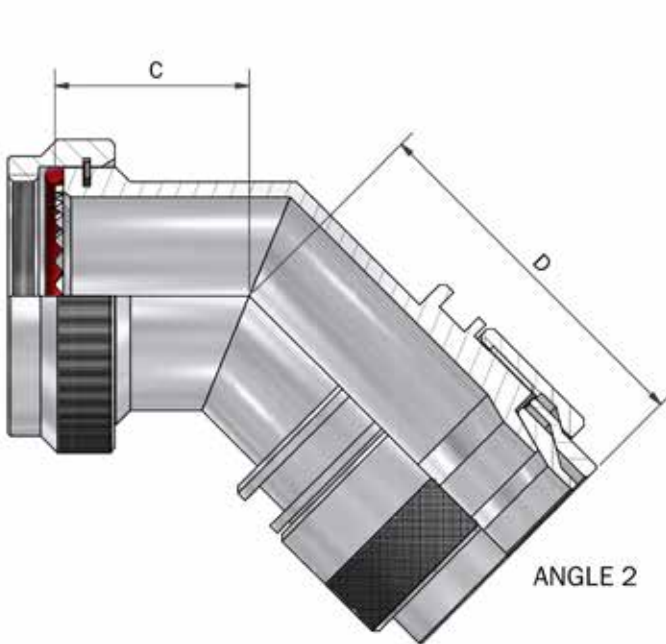
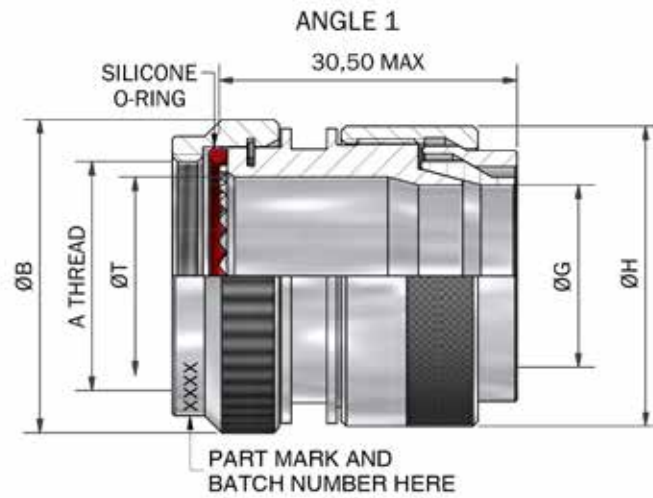
SEE PAGES 18-26 FOR COMPLETE LIST OF AVAILABLE MATERIALS, FINISHES AND CONNECTOR INTERFACES
(DIMENSIONS, FORM AND O RING SUBJECT TO CHANGE DEPENDING ON BACKSHELL MATERIAL AND CONNECTOR INTERFACE)

308F - Dual Cone Termination

Interface F - MIL-DTL-38999 SERIES II



Interconnect Solutions Worldwide



CONE TERMINATION

DRAWING NOT TO SCALE, DIMENSIONS IN MM

SEE PAGES 18-26 FOR COMPLETE LIST OF AVAILABLE MATERIALS, FINISHES AND CONNECTOR INTERFACES (DIMENSIONS, FORM AND O RING SUBJECT TO CHANGE DEPENDING ON BACKSHELL MATERIAL AND CONNECTOR INTERFACE)

308F - Dual Cone Termination

Interface F - MIL-DTL-38999 SERIES II



Interconnect Solutions Worldwide

TABLE 1

SHELL SIZE	A THREAD	ØB MAX	C ±0,5	D MAX	ØT MIN	ØG MIN	ØH MAX	E MAX	F MAX	K ±0,5
08	7/16-28 UNEF	18,3	16,4	33,3	6,6	6,9	18,4	22,7	35,2	15,0
10	9/16-24 UNEF	21,5	17,2	34,5	10,1	9,6	22,0	26,2	37,0	17,0
12	11/16-24 UNEF	24,5	17,6	34,9	12,9	12,7	24,0	29,2	38,5	18,0
14	13/16-20 UNEF	27,8	18,5	35,8	16,1	14,8	27,0	32,2	40,0	20,0
16	15/16-20 UNEF	30,8	19,2	36,6	19,3	17,9	29,5	35,7	41,2	21,5
18	1 1/16-18 UNEF	34,1	19,6	36,6	21,7	19,9	33,9	39,7	43,3	23,0
20	1 3/16-18 UNEF	37,3	20,4	37,7	24,9	23,1	37,0	42,2	44,9	25,0
22	1 5/16-18 UNEF	40,5	20,8	38,1	28,1	26,2	40,8	45,2	46,4	26,0
24	1 7/16-18 UNEF	43,7	21,7	39,0	31,3	28,8	43,0	48,2	47,9	28,0

TABLE 2

CODE	FINISH
C	ELECTROLESS NICKEL
B	CADMIUM OLIVE DRAB OVER ELECTROLESS NICKEL
ZB	ZINC COBALT OLIVE DRAB OVER ELECTROLESS NICKEL
ZN	ZINC NICKEL BLACK PASSIVATE OVER ELECTROLESS NICKEL

LIST NOT EXHAUSTIVE, SEE PLATING TABLE FOR OTHER OPTIONS

308F1-16-1-C

SERIES _____
 CONNECTOR INTERFACE _____
 ANGLE _____
 SHELL SIZE (TABLE 1) _____
 MATERIAL _____
 ALUMINIUM ALLOY _____
 FINISH (TABLE 2) _____

CONE TERMINATION

For tooling and assembly instructions see www.polamco.com

Backshell supplied with Cone(s)

Sealing and strain relief achieved with Heat Shrink Boot for non CC versions (see page 354)

Adhesive if required for assembly (see page 352)

Screenbraid for EMC/RFI screening (see page 350)

DRAWING NOT TO SCALE, DIMENSIONS IN MM

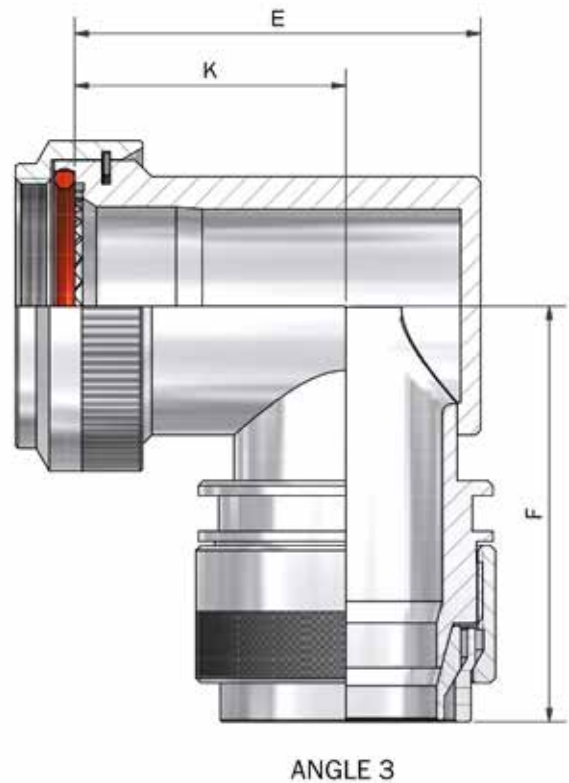
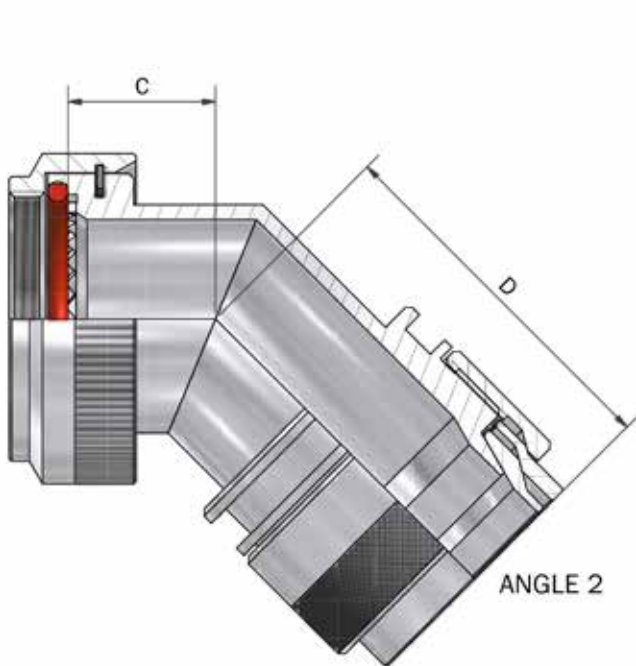
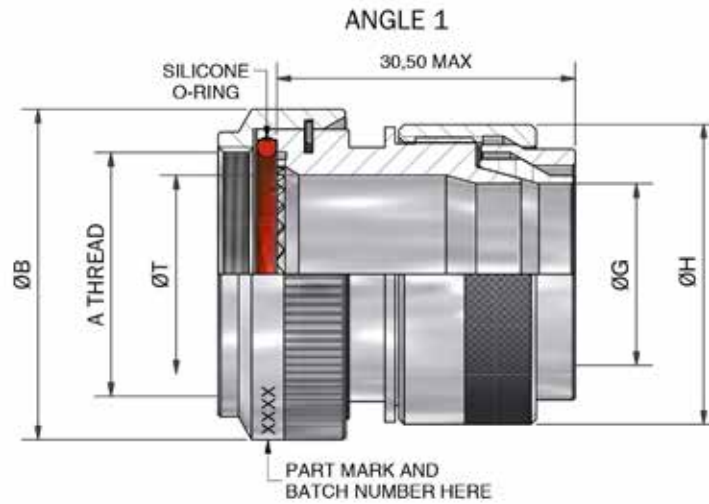
SEE PAGES 18-26 FOR COMPLETE LIST OF AVAILABLE MATERIALS, FINISHES AND CONNECTOR INTERFACES (DIMENSIONS, FORM AND O RING SUBJECT TO CHANGE DEPENDING ON BACKSHELL MATERIAL AND CONNECTOR INTERFACE)

308H - Dual Cone Termination

Interface H - MIL-DTL-38999 SERIES III & IV



Interconnect Solutions Worldwide



CONE TERMINATION

DRAWING NOT TO SCALE, DIMENSIONS IN MM

SEE PAGES 18-26 FOR COMPLETE LIST OF AVAILABLE MATERIALS, FINISHES AND CONNECTOR INTERFACES (DIMENSIONS, FORM AND O RING SUBJECT TO CHANGE DEPENDING ON BACKSHELL MATERIAL AND CONNECTOR INTERFACE)

308H - Dual Cone Termination

Interface H - MIL-DTL-38999 SERIES III & IV



Interconnect Solutions Worldwide

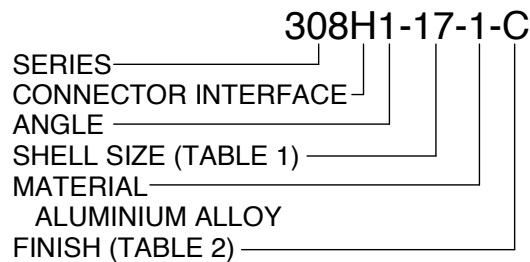
TABLE 1

SHELL SIZE	A THREAD	ØB MAX	C MAX	D MAX	ØT MIN	ØG MIN	ØH MAX	E MAX	F MAX	K ±0,5
09	M12 x 1.0	18,0	13,1	33,3	6,7	6,9	18,4	26,0	35,2	17,5
11	M15 x 1.0	21,0	13,9	34,5	10,2	9,6	22,0	27,0	37,0	17,5
13	M18 x 1.0	24,5	14,5	34,9	13,5	12,7	24,0	31,5	38,5	20,0
15	M22 x 1.0	29,0	15,5	35,8	16,2	14,8	27,0	37,5	40,0	24,5
17	M25 x 1.0	32,5	16,1	36,6	19,4	17,9	29,5	40,5	41,2	26,7
19	M28 x 1.0	35,5	16,8	36,6	21,8	19,9	33,9	45,0	43,3	27,0
21	M31 x 1.0	37,0	17,1	37,7	25,1	23,1	37,0	49,5	44,9	30,5
23	M34 x 1.0	40,0	17,7	38,1	28,2	26,2	40,8	52,0	46,4	31,5
25	M37 x 1.0	43,5	18,4	39,0	31,4	28,8	43,0	52,0	47,9	28,5

TABLE 2

CODE	FINISH
C	ELECTROLESS NICKEL
B	CADMIUM OLIVE DRAB OVER ELECTROLESS NICKEL
ZB	ZINC COBALT OLIVE DRAB OVER ELECTROLESS NICKEL
ZN	ZINC NICKEL BLACK PASSIVATE OVER ELECTROLESS NICKEL

LIST NOT EXHAUSTIVE, SEE PLATING TABLE FOR OTHER OPTIONS



CONE TERMINATION

For tooling and assembly instructions see www.polamco.com

Backshell supplied with Cone(s)

Sealing and strain relief achieved with Heat Shrink Boot for non CC versions (see page 354)

Adhesive if required for assembly (see page 352)

Screenbraid for EMC/RFI screening (see page 350)

DRAWING NOT TO SCALE, DIMENSIONS IN MM

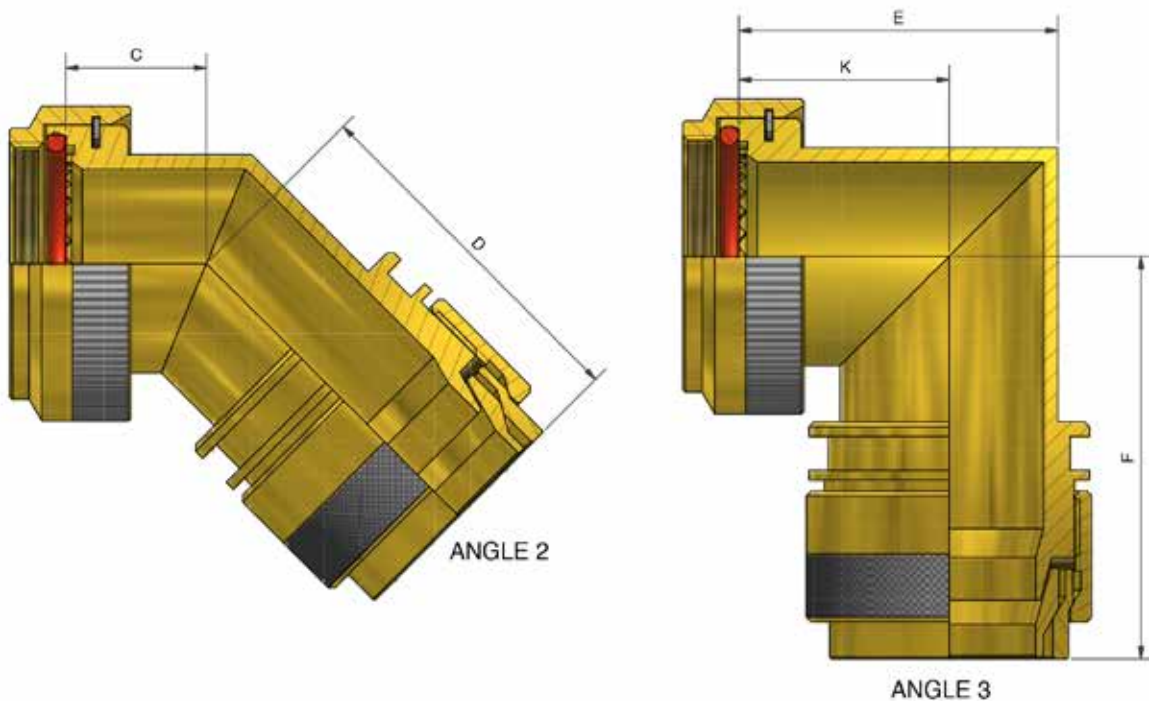
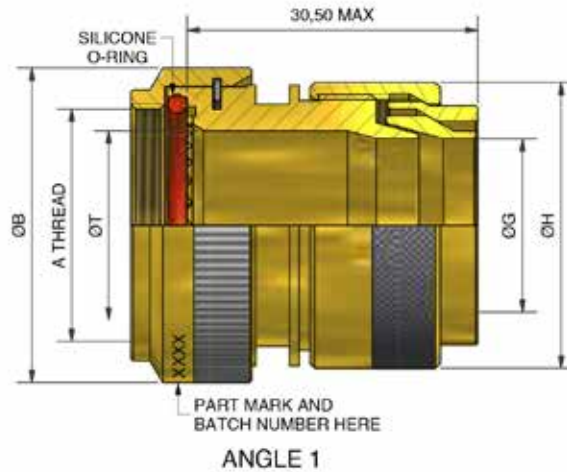
SEE PAGES 18-26 FOR COMPLETE LIST OF AVAILABLE MATERIALS, FINISHES AND CONNECTOR INTERFACES (DIMENSIONS, FORM AND O RING SUBJECT TO CHANGE DEPENDING ON BACKSHELL MATERIAL AND CONNECTOR INTERFACE)

308H (NB) - Dual Cone Termination Nickel Aluminium Bronze

Interface H - MIL-DTL-38999 SERIES III & IV



Interconnect Solutions Worldwide



CONE TERMINATION

DRAWING NOT TO SCALE, DIMENSIONS IN MM

SEE PAGES 18-26 FOR COMPLETE LIST OF AVAILABLE MATERIALS, FINISHES AND CONNECTOR INTERFACES
(DIMENSIONS, FORM AND O RING SUBJECT TO CHANGE DEPENDING ON BACKSHELL MATERIAL AND CONNECTOR INTERFACE)

308H (NB) - Dual Cone Termination Nickel Aluminium Bronze

Interface H - MIL-DTL-38999 SERIES III & IV



Interconnect Solutions Worldwide

TABLE 1

SHELL SIZE	A THREAD	ØB MAX	C MAX	D MAX	ØT MIN	ØG MIN	ØH MAX	E MAX	F MAX	K ±0,5
09	M12 x 1.0	18,0	12,0	33,3	6,7	6,9	18,4	21,1	35,2	15,5
11	M15 x 1.0	21,0	12,5	34,5	10,2	9,6	22,0	24,2	37,0	17,3
13	M18 x 1.0	24,5	13,1	34,9	13,5	12,7	24,0	27,4	38,5	18,7
15	M22 x 1.0	29,0	13,5	35,8	16,2	14,8	27,0	31,2	40,0	21,3
17	M25 x 1.0	32,5	14,5	36,6	19,4	17,9	29,5	34,3	41,2	22,8
19	M28 x 1.0	35,5	15,5	36,6	21,8	19,9	33,9	37,1	43,3	24,4
21	M31 x 1.0	37,0	16,0	37,7	25,1	23,1	37,0	39,4	44,9	25,1
23	M34 x 1.0	40,0	16,5	38,1	28,2	26,2	40,8	42,5	46,4	26,6
25	M37 x 1.0	43,5	17,1	39,0	31,4	28,8	43,0	45,6	47,9	28,1

308H1-17-2-Z

SERIES _____
CONNECTOR INTERFACE _____
ANGLE _____
SHELL SIZE (TABLE 1) _____
MATERIAL _____
NICKEL ALUMINIUM BRONZE
FINISH _____
SHOT BLAST

CONE TERMINATION

For tooling and assembly instructions see www.polamco.com

Backshell supplied with Cone(s)
Sealing and strain relief achieved with Heat Shrink Boot for non CC versions (see page 354)
Adhesive if required for assembly (see page 352)
Screenbraid for EMC/RFI screening (see page 350)

DRAWING NOT TO SCALE, DIMENSIONS IN MM

SEE PAGES 18-26 FOR COMPLETE LIST OF AVAILABLE MATERIALS, FINISHES AND CONNECTOR INTERFACES
(DIMENSIONS, FORM AND O RING SUBJECT TO CHANGE DEPENDING ON BACKSHELL MATERIAL AND CONNECTOR INTERFACE)

318F - Triple Cone Termination

Interface F - MIL-DTL-38999 SERIES I



Interconnect Solutions Worldwide

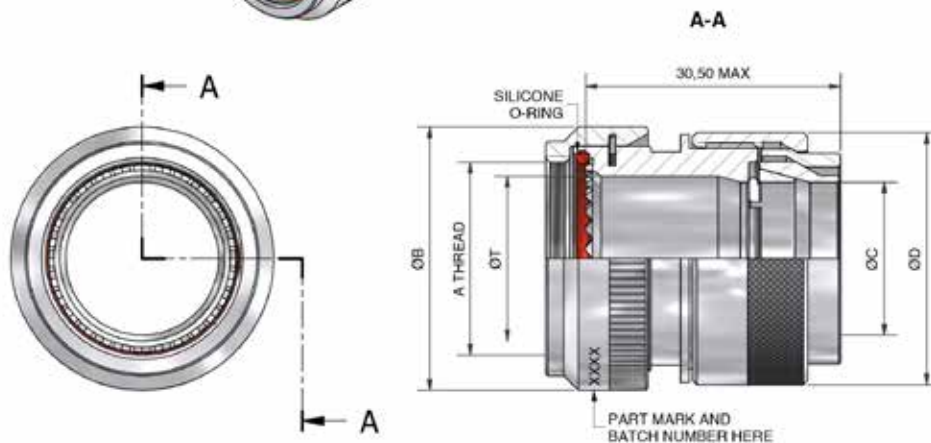


TABLE 1

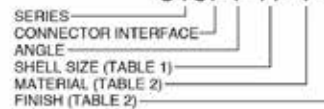
SHELL SIZE	A THREAD	ØB MAX	ØT MIN	ØC MIN	ØD MAX
09	7/16-28UNEF	18,0	6,8	6,9	18,4
11	9/16-24UNEF	21,0	10,2	9,6	22,0
13	11/16-24UNEF	24,5	13,1	12,7	24,0
15	13/16-20UNEF	27,8	16,2	14,8	27,0
17	15/16-20UNEF	30,8	19,3	17,9	29,5
19	1 1/16-18UNEF	34,1	22,3	19,9	33,9
21	1 3/16-18UNEF	37,3	25,8	23,1	37,0
23	1 5/16-18UNEF	41,0	28,3	26,2	40,8
25	1 7/16-18UNEF	43,7	31,5	28,8	43,0

TABLE 2

CODE	MATERIAL / PLATING
1-C	ALUMINIUM / ELECTROLESS NICKEL
1-B	ALUMINIUM / CADMIUM OLIVE DRAB OVER ELECTROLESS NICKEL
1-2B	ALUMINIUM / ZINC COBALT OLIVE DRAB OVER ELECTROLESS NICKEL
1-2N	ALUMINIUM / ZINC NICKEL BLACK PASSIVATE OVER ELECTROLESS NICKEL
4-J	STAINLESS STEEL / PASSIVATE
2-Z	NICKEL ALUMINIUM BRONZE / SHOT BLAST

LIST NOT EXHAUSTIVE. SEE PLATING TABLE FOR OTHER OPTIONS

318F1-17-1-B



For tooling and assembly instructions see www.polamco.com

Backshell supplied with Cone(s)

Sealing and strain relief achieved with Heat Shrink Boot for non CC versions (see page 354)

Adhesive if required for assembly (see page 352)

Screenbraid for EMC/RFI screening (see page 350)

DRAWING NOT TO SCALE, DIMENSIONS IN MM

SEE PAGES 18-26 FOR COMPLETE LIST OF AVAILABLE MATERIALS, FINISHES AND CONNECTOR INTERFACES (DIMENSIONS, FORM AND O RING SUBJECT TO CHANGE DEPENDING ON BACKSHELL MATERIAL AND CONNECTOR INTERFACE)

318F - Triple Cone Termination

Interface F - MIL-DTL-38999 SERIES II



Interconnect Solutions Worldwide

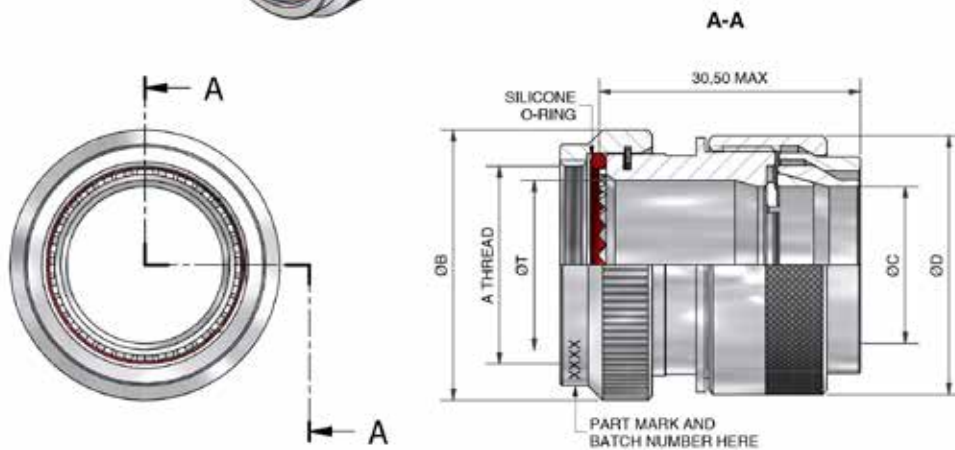


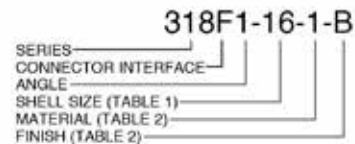
TABLE 1

SHELL SIZE	A THREAD	OB MAX	OT MIN	OC MIN	OD MAX
08	7/16-28UNEF	18,3	6,6	6,9	18,4
10	9/16-24UNEF	21,5	10,1	9,6	22,0
12	11/16-24UNEF	24,5	12,9	12,7	24,0
14	13/16-20UNEF	27,8	16,1	14,8	27,0
16	15/16-20UNEF	30,8	19,3	17,9	29,5
18	1 1/16-18UNEF	34,1	21,7	19,9	33,9
20	1 3/16-18UNEF	37,3	24,9	23,1	37,0
22	1 5/16-18UNEF	40,5	28,1	26,2	40,8
24	1 7/16-18UNEF	43,7	31,3	28,8	43,0

TABLE 2

CODE	MATERIAL / PLATING
1-C	ALUMINIUM / ELECTROLESS NICKEL
1-B	ALUMINIUM / CADMIUM OLIVE DRAB OVER ELECTROLESS NICKEL
1-2B	ALUMINIUM / ZINC COBALT OLIVE DRAB OVER ELECTROLESS NICKEL
1-ZN	ALUMINIUM / ZINC NICKEL BLACK PASSIVATE OVER ELECTROLESS NICKEL
4-J	STAINLESS STEEL / PASSIVATE
2-Z	NICKEL ALUMINIUM BRONZE / SHOT BLAST

LIST NOT EXHAUSTIVE, SEE PLATING TABLE FOR OTHER OPTIONS



CONE TERMINATION

For tooling and assembly instructions see www.polamco.com

Backshell supplied with Cone(s)

Sealing and strain relief achieved with Heat Shrink Boot for non CC versions (see page 354)

Adhesive if required for assembly (see page 352)

Screenbraid for EMC/RFI screening (see page 350)

DRAWING NOT TO SCALE, DIMENSIONS IN MM

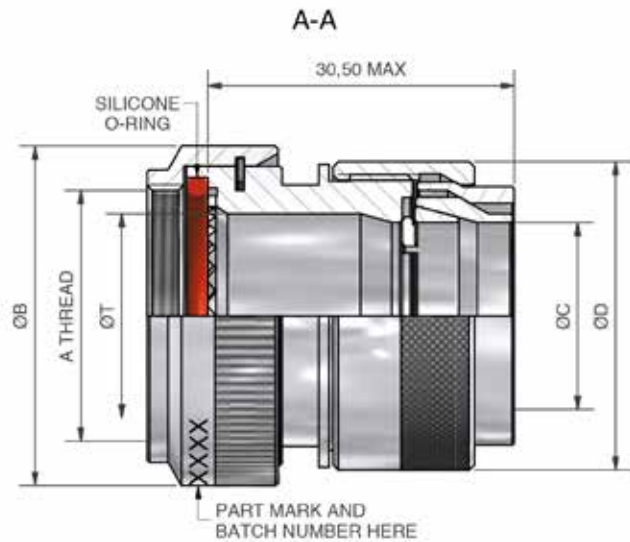
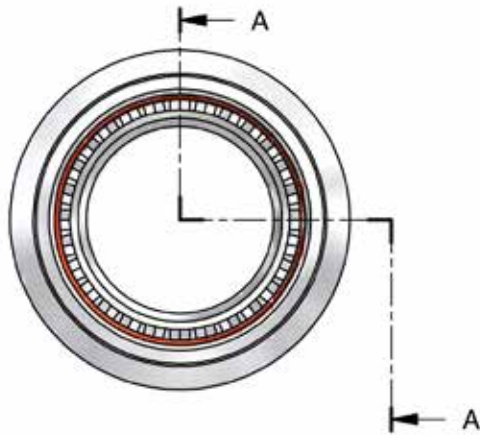
SEE PAGES 18-26 FOR COMPLETE LIST OF AVAILABLE MATERIALS, FINISHES AND CONNECTOR INTERFACES (DIMENSIONS, FORM AND O RING SUBJECT TO CHANGE DEPENDING ON BACKSHELL MATERIAL AND CONNECTOR INTERFACE)

318H - Triple Cone Termination

Interface H - MIL-DTL-38999 SERIES III & IV



Interconnect Solutions Worldwide



CONE TERMINATION

DRAWING NOT TO SCALE, DIMENSIONS IN MM

SEE PAGES 18-26 FOR COMPLETE LIST OF AVAILABLE MATERIALS, FINISHES AND CONNECTOR INTERFACES
(DIMENSIONS, FORM AND O RING SUBJECT TO CHANGE DEPENDING ON BACKSHELL MATERIAL AND CONNECTOR INTERFACE)

318H - Triple Cone Termination

Interface H - MIL-DTL-38999 SERIES III & IV



Interconnect Solutions Worldwide

TABLE 1

SHELL SIZE	A THREAD	ØB MAX	ØC MIN	ØD MAX
09	M12 x 1.0	18,0	6,9	18,4
11	M15 x 1.0	21,0	9,6	22,0
13	M18 x 1.0	24,5	12,7	24,0
15	M22 x 1.0	29,0	14,8	27,0
17	M25 x 1.0	32,5	17,9	29,5
19	M28 x 1.0	35,5	19,9	33,9
21	M31 x 1.0	37,0	23,1	37,0
23	M34 x 1.0	40,0	26,2	40,8
25	M37 x 1.0	43,5	28,8	43,0

TABLE 3

CODE	MATERIAL / PLATING
1-C	ALUMINIUM / ELECTROLESS NICKEL
1-B	ALUMINIUM / CADMIUM OLIVE DRAB OVER ELECTROLESS NICKEL
1-ZB	ALUMINIUM / ZINC COBALT OLIVE DRAB OVER ELECTROLESS NICKEL
1-ZN	ALUMINIUM / ZINC NICKEL BLACK PASSIVATE OVER ELECTROLESS NICKEL
4-J	STAINLESS STEEL / PASSIVATE
2-Z	NICKEL ALUMINIUM BRONZE / SHOT BLAST

LIST NOT EXHAUSTIVE, SEE PLATING TABLE FOR OTHER OPTIONS

318H1-17-1-B
 SERIES
 CONNECTOR INTERFACE
 ANGLE (1 - STRAIGHT)
 SHELL SIZE (TABLE 1)
 MATERIAL (TABLE 2)
 FINISH (TABLE 2)

CONE TERMINATION

For tooling and assembly instructions see www.polamco.com

Backshell supplied with Cone(s)

Sealing and strain relief achieved with Heat Shrink Boot for non CC versions (see page 354)

Adhesive if required for assembly (see page 352)

Screenbraid for EMC/RFI screening (see page 350)

DRAWING NOT TO SCALE, DIMENSIONS IN MM

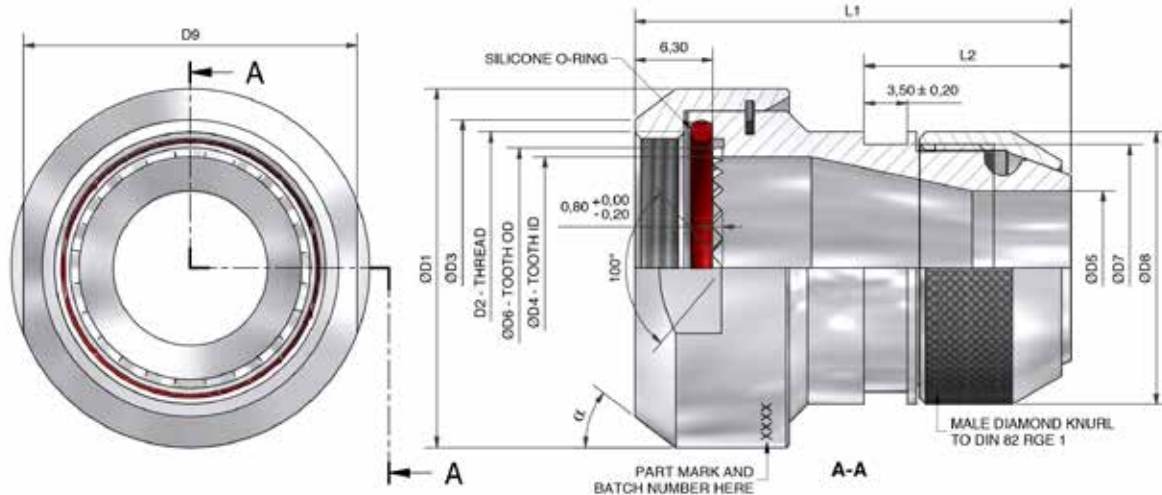
SEE PAGES 18-26 FOR COMPLETE LIST OF AVAILABLE MATERIALS, FINISHES AND CONNECTOR INTERFACES
 (DIMENSIONS, FORM AND O RING SUBJECT TO CHANGE DEPENDING ON BACKSHELL MATERIAL AND CONNECTOR INTERFACE)

PVG1CH1 - Cone Termination

Interface H - MIL-DTL-38999 SERIES III & IV



Interconnect Solutions Worldwide



VG PART NUMBERING

VG95319-1011C001A

VG SERIES
DASH NUMBER
MATERIAL AND FINISH OPTION
A = ALUMINIUM ALLOY - OLIVE
DRAB OVER ELECTROLESS NICKEL
B = ALUMINIUM BRONZE - SHOT BLAST
S = STAINLESS STEEL - PASSIVATED

POLAMCO PART NUMBERING

PVG1CH1-001-1-B

POLAMCO SERIES
INTERFACE
ANGLE (1 = STRAIGHT)
DASH NUMBER (TABLE 1)
MATERIAL
FINISH (TABLE 2)

ANY OPTIONS OUTSIDE THOSE POSSIBLE WITH VG PART NUMBER ARE AVAILABLE BUT WILL NOT BE VG APPROVED PARTS.
FOR FULL LIST OF MATERIALS AND PLATING OPTIONS PLEASE VISIT OUR WEBSITE.

TABLE 1

DASH NO.	SHELL SIZE	OD1 ±0.2	D2	OD3 +0.2/-0.1	OD4 +0.2/-0	OD5 MIN	OD6 +0.2/-0	OD7 +0/-0.3	OD8 +0.5/-0	L1 MAX	L2 MAX
001	09	19.0	M12 X 1	14.25	8.5	6.2	10.8	12.0	14.0	34.0	16.2
002	11	22.0	M15 X 1	17.00	12.0	7.0	13.8	14.0	16.0	35.0	17.2
003	11	22.0	M15 X 1	17.00	12.0	9.5	13.8	16.0	18.0	35.0	17.2
004	11	22.0	M15 X 1	17.00	12.0	12.5	13.8	20.0	22.0	36.0	18.2
005	13	25.0	M18 X 1	20.00	13.8	9.5	16.8	16.0	18.0	35.0	17.2
006	15	29.0	M22 X 1	24.00	18.0	12.5	20.8	20.0	22.0	36.0	18.2
007	15	29.0	M22 X 1	24.00	18.0	9.5	20.8	16.0	18.0	36.0	18.2
008	15	29.0	M22 X 1	24.00	18.0	15.5	20.8	23.0	25.0	36.0	18.2
009	17	32.0	M25 X 1	27.00	21.1	15.5	23.8	23.0	25.0	36.0	18.2
010	17	32.0	M25 X 1	27.00	21.1	7.0	23.8	14.0	16.0	35.0	17.2
011	19	36.0	M28 X 1	30.00	24.1	18.5	26.8	24.5	28.0	36.0	18.2
012	21	39.0	M31 X 1	33.00	27.1	21.5	29.8	28.5	32.0	36.0	18.2
013	23	43.0	M34 X 1	36.00	30.1	23.5	32.8	30.5	34.0	36.0	18.2
014	23	43.0	M34 X 1	36.00	30.1	15.5	32.8	23.0	25.0	36.0	18.2
015	25	46.0	M37 X 1	39.00	33.3	27.5	35.8	34.0	38.0	36.0	18.2

TABLE 2

DASH NO.	SHELL SIZE	α ±1°	D9 +0/-0.2	NO. OF TEETH	MASS (g) MAX
001	09	35°	17.0	12	12.0
002	11	37°	20.0	16	15.0
003	11	37°	20.0	16	17.0
004	11	37°	20.0	16	17.0
005	13	37°	23.0	20	18.0
006	15	37°	27.0	24	23.0
007	15	37°	27.0	24	23.0
008	15	37°	27.0	24	25.0
009	17	37°	30.0	28	27.0
010	17	37°	30.0	28	25.0
011	19	40°	34.0	32	35.0
012	21	40°	37.0	36	42.0
013	23	40°	41.0	40	45.0
014	23	40°	41.0	40	43.0
015	25	40°	44.0	44	52.0

TABLE 2

CODE	FINISH
C	ELECTROLESS NICKEL
B	CADMIUM OLIVE DRAB OVER ELECTROLESS NICKEL
ZB	ZINC COBAL T OLIVE DRAB OVER ELECTROLESS NICKEL
ZN	ZINC NICKEL BLACK PASSIVATE OVER ELECTROLESS NICKEL

LIST NOT EXHAUSTIVE. SEE PLATING TABLE FOR OTHER OPTIONS

For tooling and assembly instructions see www.polamco.com

Backshell supplied with Cone(s)

Sealing and strain relief achieved with Heat Shrink Boot for non CC versions (see page 354)

Adhesive if required for assembly (see page 352)

Screenbraid for EMC/RFI screening (see page 350)

DRAWING NOT TO SCALE, DIMENSIONS IN MM

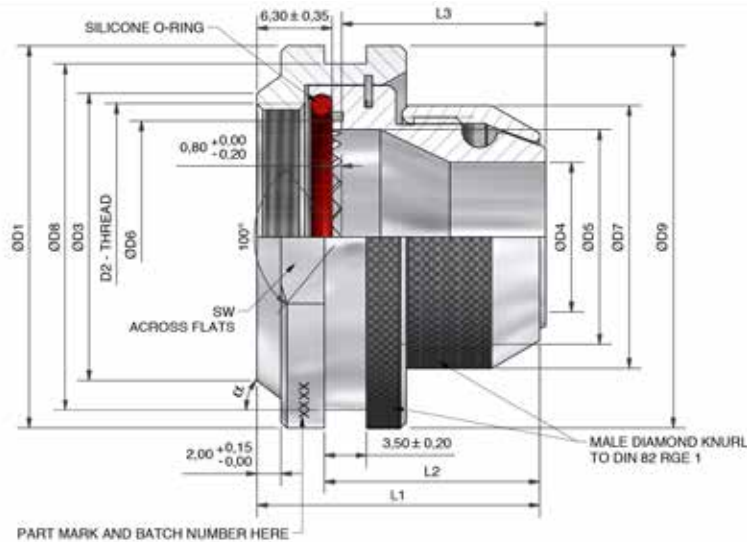
SEE PAGES 18-26 FOR COMPLETE LIST OF AVAILABLE MATERIALS, FINISHES AND CONNECTOR INTERFACES (DIMENSIONS, FORM AND O RING SUBJECT TO CHANGE DEPENDING ON BACKSHELL MATERIAL AND CONNECTOR INTERFACE)

PVG1FH1 - Cone Termination

Interface H - MIL-DTL-38999 SERIES III & IV



Interconnect Solutions Worldwide



VG PART NUMBERING

VG95319-1011F001A

VG SERIES
DASH NUMBER
MATERIAL AND FINISH OPTION
A = ALUMINIUM ALLOY - OLIVE
DRAB OVER ELECTROLESS NICKEL
B = ALUMINIUM BRONZE - SHOT BLAST
S = STAINLESS STEEL - PASSIVATED

POLAMCO PART NUMBERING

PVG1FH1-001-1-B

POLAMCO SERIES
INTERFACE
ANGLE (1 = STRAIGHT)
DASH NUMBER (TABLE 1)
MATERIAL
FINISH (TABLE 2)

ANY OPTIONS OUTSIDE THOSE POSSIBLE WITH VG PART NUMBERS ARE AVAILABLE BUT WILL NOT BE US APPROVED PARTS. FOR FULL LIST OF MATERIAL AND FINISH OPTIONS PLEASE VISIT OUR WEBSITE.

TABLE 1

DASH NO.	SHELL SIZE	ØD1 ±0.2	D2	ØD3 +0.2/-0.1	ØD4 +0.2/-0	ØD5 +0.2/-0	ØD6 +0.2/-0	ØD7 ±0.5	ØD8 +0/-0.2	ØD9 +0.5/-0
001	09	22.0	M12 X 1	14.25	6.2	8.5	10.8	14.0	19.0	21.0
002	11	25.0	M15 X 1	17.00	7.0	12.0	13.8	16.0	22.0	24.0
003	13	29.0	M18 X 1	20.00	9.5	13.8	16.8	18.0	25.5	28.0
004	13	29.0	M18 X 1	20.00	15.5	13.8	16.8	25.0	25.5	28.0
005	15	32.0	M22 X 1	24.00	12.5	18.0	20.8	22.0	29.0	32.0
006	15	32.0	M22 X 1	24.00	15.5	18.0	20.8	25.0	29.0	32.0
007	17	36.0	M25 X 1	27.00	15.5	21.1	23.8	25.0	32.5	36.0
008	19	39.0	M28 X 1	30.00	18.5	24.1	26.8	28.0	35.5	39.0
009	19	39.0	M28 X 1	30.00	15.5	24.1	26.8	25.0	35.5	39.0
010	21	42.0	M31 X 1	33.00	21.0	27.1	29.8	32.0	38.5	42.0
011	23	45.0	M34 X 1	36.00	23.5	30.1	32.8	34.0	42.0	45.5
012	25	49.0	M37 X 1	39.00	27.5	33.3	35.8	38.0	45.5	49.0

DASH NO.	SHELL SIZE	L1 ±0.5	L2 ±0/-1	L3 ±0.5	α ±1°	SW +0/-0.2	NO. OF TEETH	MASS (g) MAX
001	09	23.0	18.0	16.0	35°	20.0	12.0	12.0
002	11	23.0	18.0	16.0	37°	23.0	16.0	15.0
003	13	24.0	19.0	17.0	37°	27.0	20.0	18.0
004	13	23.0	18.0	16.0	37°	27.0	20.0	22.0
005	15	24.0	19.0	17.0	37°	30.0	24.0	22.0
006	15	24.0	19.0	17.0	37°	30.0	24.0	22.0
007	17	24.0	19.0	17.0	37°	34.0	28.0	27.0
008	19	24.0	19.0	17.0	40°	37.0	32.0	30.0
009	19	25.0	20.0	18.0	40°	37.0	32.0	30.0
010	21	24.0	19.0	17.0	40°	40.0	36.0	40.0
011	23	24.0	19.0	17.0	40°	43.0	40.0	45.0
012	25	24.0	19.0	17.0	40°	47.0	44.0	50.0

TABLE 2

CODE	FINISH
O	ELECTROLESS NICKEL
B	CADMIUM OLIVE DRAB OVER ELECTROLESS NICKEL
ZB	ZINC COBALT OLIVE DRAB OVER ELECTROLESS NICKEL
ZN	ZINC NICKEL BLACK PASSIVATE OVER ELECTROLESS NICKEL

LIST NOT EXHAUSTIVE, SEE PLATING TABLE FOR OTHER OPTIONS

For tooling and assembly instructions see www.polamco.com

Backshell supplied with Cone(s)

Sealing and strain relief achieved with Heat Shrink Boot for non CC versions (see page 354)

Adhesive if required for assembly (see page 352)

Screenbraid for EMC/RFI screening (see page 350)

DRAWING NOT TO SCALE, DIMENSIONS IN MM

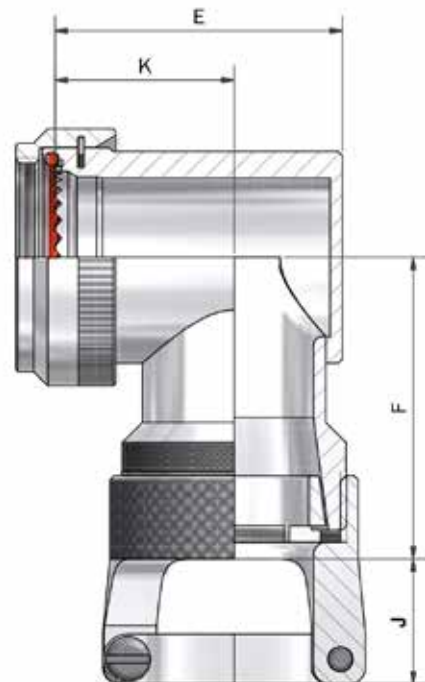
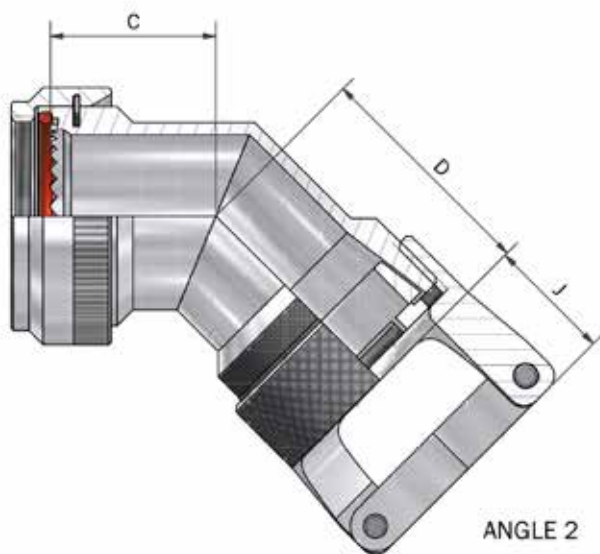
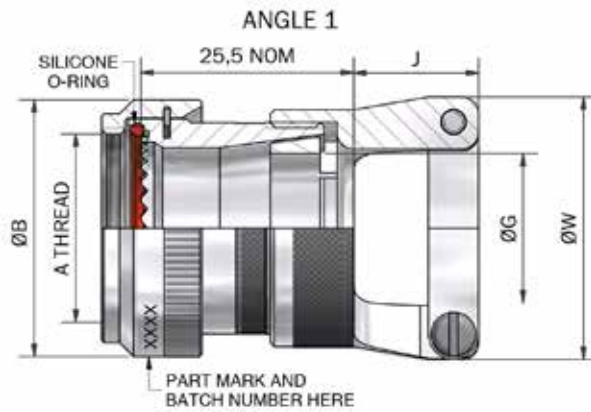
SEE PAGES 18-26 FOR COMPLETE LIST OF AVAILABLE MATERIALS, FINISHES AND CONNECTOR INTERFACES (DIMENSIONS, FORM AND O RING SUBJECT TO CHANGE DEPENDING ON BACKSHELL MATERIAL AND CONNECTOR INTERFACE)

64F - Cone Clamp Termination

Interface F - MIL-DTL-38999 SERIES I



Interconnect Solutions Worldwide



DRAWING NOT TO SCALE, DIMENSIONS IN MM

SEE PAGES 18-26 FOR COMPLETE LIST OF AVAILABLE MATERIALS, FINISHES AND CONNECTOR INTERFACES (DIMENSIONS, FORM AND O RING SUBJECT TO CHANGE DEPENDING ON BACKSHELL MATERIAL AND CONNECTOR INTERFACE)

64F - Cone Clamp Termination

Interface F - MIL-DTL-38999 SERIES I



Interconnect Solutions Worldwide

TABLE 1

SHELL SIZE	A THREAD	ØB MAX	C ±0,5	D MAX	E MAX	F MAX	ØG MIN	ØW MAX	ØH MAX	J MAX	K ±0,5	M ±0,5
09	7/16-28 UNEF	18,0	16,4	24,6	22,7	30,1	6,6	20,7	16,0	15,2	15,0	7,8
11	9/16-24 UNEF	21,0	17,2	25,4	26,2	31,9	9,3	23,8	19,0	15,2	17,0	8,6
13	11/16-24 UNEF	24,5	17,6	26,3	29,2	33,4	12,6	27,0	22,0	15,2	18,0	10,2
15	13/16-20 UNEF	27,8	18,5	26,7	32,2	34,9	14,6	28,6	25,4	15,2	20,0	10,4
17	15/16-20 UNEF	30,8	19,2	27,5	35,7	36,6	17,7	31,8	28,5	15,2	21,5	12,4
19	1 1/16-18 UNEF	34,1	19,6	27,8	39,7	38,2	19,8	35,0	32,0	18,2	23,0	15,4
21	1 3/16-18 UNEF	37,3	20,4	28,6	42,2	39,8	23,0	38,1	35,0	18,2	25,0	17,3
23	1 5/16-18 UNEF	41,0	20,8	29,5	45,2	41,3	26,2	39,7	38,0	18,2	26,0	18,8
25	1 7/16-18 UNEF	43,7	21,7	29,9	48,2	42,8	29,1	44,5	41,0	18,2	28,0	22,4

TABLE 2

CODE	FINISH
C	ELECTROLESS NICKEL
B	CADMIUM OLIVE DRAB OVER ELECTROLESS NICKEL
ZB	ZINC COBALT OLIVE DRAB OVER ELECTROLESS NICKEL
ZN	ZINC NICKEL BLACK PASSIVATE OVER ELECTROLESS NICKEL

LIST NOT EXHAUSTIVE, SEE PLATING TABLE FOR OTHER OPTIONS

64F1-17-1-C-CC

SERIES _____
 CONNECTOR INTERFACE _____
 ANGLE _____
 SHELL SIZE (TABLE 1) _____
 MATERIAL _____
 ALUMINIUM ALLOY _____
 FINISH (TABLE 2) _____
 CABLE CLAMP OPTION _____
 OMIT FOR PLAIN NUT _____

CONE TERMINATION

For tooling and assembly instructions see www.polamco.com

Backshell supplied with Cone(s)

Sealing and strain relief achieved with Heat Shrink Boot for non CC versions (see page 354)

Adhesive if required for assembly (see page 352)

Screenbraid for EMC/RFI screening (see page 350)

DRAWING NOT TO SCALE, DIMENSIONS IN MM

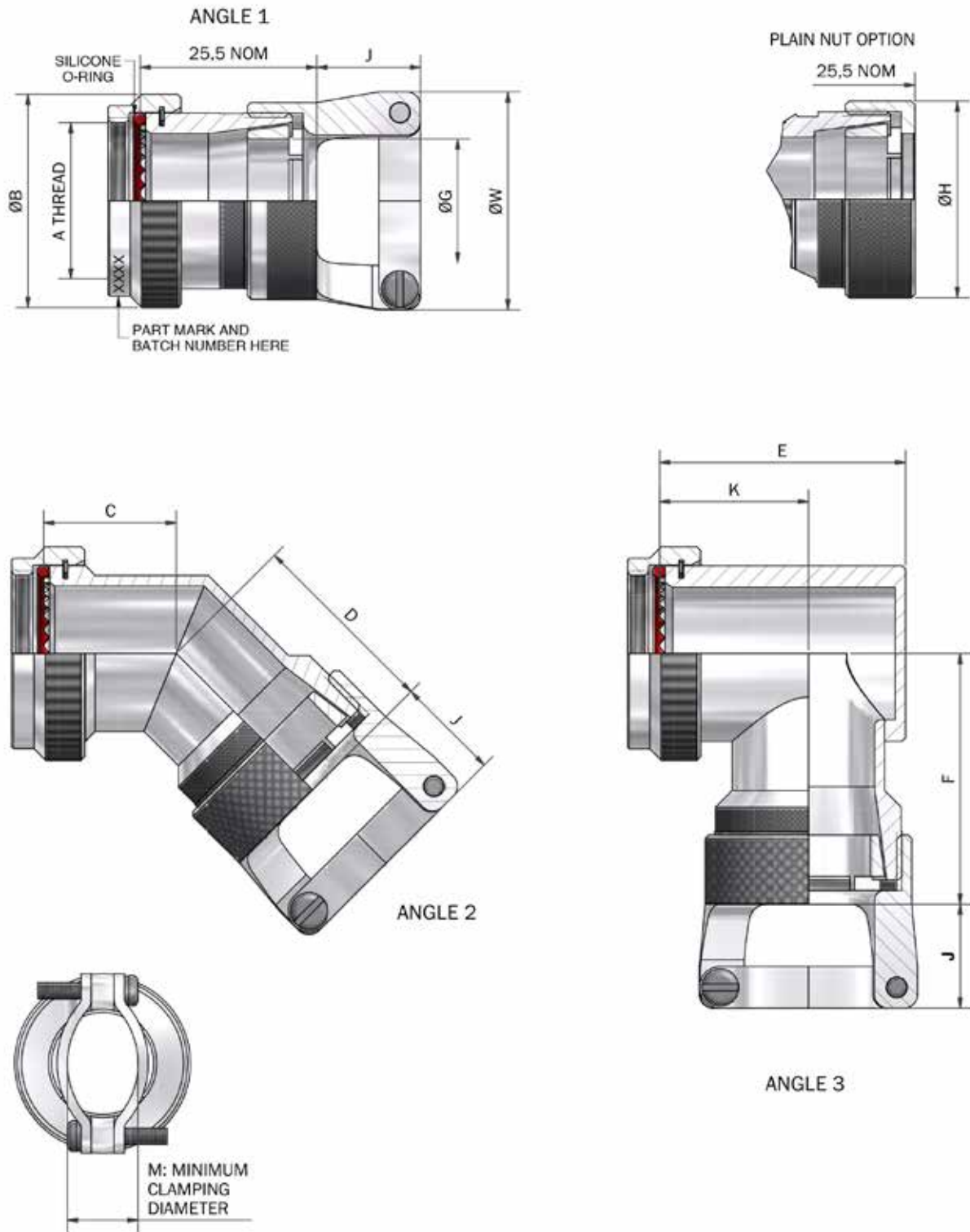
SEE PAGES 18-26 FOR COMPLETE LIST OF AVAILABLE MATERIALS, FINISHES AND CONNECTOR INTERFACES (DIMENSIONS, FORM AND O RING SUBJECT TO CHANGE DEPENDING ON BACKSHELL MATERIAL AND CONNECTOR INTERFACE)

64F - Cone Clamp Termination

Interface F - MIL-DTL-38999 SERIES II



Interconnect Solutions Worldwide



DRAWING NOT TO SCALE, DIMENSIONS IN MM

SEE PAGES 18-26 FOR COMPLETE LIST OF AVAILABLE MATERIALS, FINISHES AND CONNECTOR INTERFACES (DIMENSIONS, FORM AND O RING SUBJECT TO CHANGE DEPENDING ON BACKSHELL MATERIAL AND CONNECTOR INTERFACE)

64F - Cone Clamp Termination

Interface F - MIL-DTL-38999 SERIES II



Interconnect Solutions Worldwide

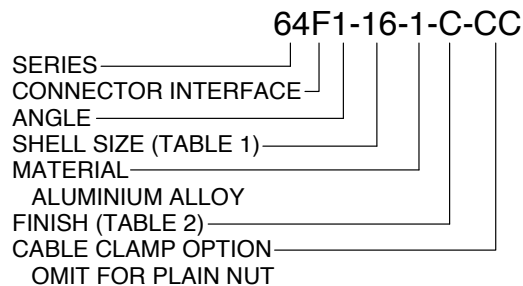
TABLE 1

SHELL SIZE	A THREAD	B MAX	C ±0,5	D MAX	E MAX	F MAX	ØG MIN	ØW MAX	ØH MAX	J MAX	K ±0,5	M ±0,5
08	7/16-28 UNEF	18,3	16,4	24,6	22,7	30,1	6,6	20,7	16,0	15,2	15,0	7,8
10	9/16-24 UNEF	21,5	17,2	25,4	26,2	31,9	9,3	23,8	19,0	15,2	17,0	8,6
12	11/16-24 UNEF	24,5	17,6	26,3	29,2	33,4	12,6	27,0	22,0	15,2	18,0	10,2
14	13/16-20 UNEF	27,8	18,5	26,7	32,2	34,9	14,6	28,6	25,4	15,2	20,0	10,4
16	15/16-20 UNEF	30,8	19,2	27,5	35,7	36,6	17,7	31,8	28,5	15,2	21,5	12,4
18	1 1/16-18 UNEF	34,1	19,6	27,8	39,7	38,2	19,8	35,0	32,0	18,2	23,0	15,4
20	1 3/16-18 UNEF	37,3	20,4	28,6	42,2	39,8	23,0	38,1	35,0	18,2	25,0	17,3
22	1 5/16-18 UNEF	40,5	20,8	29,5	45,2	41,3	26,2	39,7	38,0	18,2	26,0	18,8
24	1 7/16-18 UNEF	43,7	21,7	29,9	48,2	42,8	29,1	44,5	41,0	18,2	28,0	22,4

TABLE 2

CODE	FINISH
C	ELECTROLESS NICKEL
B	CADMIUM OLIVE DRAB OVER ELECTROLESS NICKEL
ZB	ZINC COBALT OLIVE DRAB OVER ELECTROLESS NICKEL
ZN	ZINC NICKEL BLACK PASSIVATE OVER ELECTROLESS NICKEL

LIST NOT EXHAUSTIVE, SEE PLATING TABLE FOR OTHER OPTIONS



CONE TERMINATION

For tooling and assembly instructions see www.polamco.com

Backshell supplied with Cone(s)

Sealing and strain relief achieved with Heat Shrink Boot for non CC versions (see page 354)

Adhesive if required for assembly (see page 352)

Screenbraid for EMC/RFI screening (see page 350)

DRAWING NOT TO SCALE, DIMENSIONS IN MM

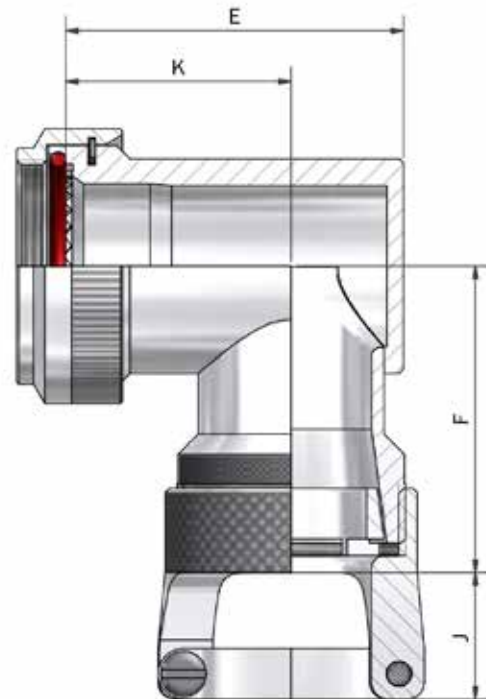
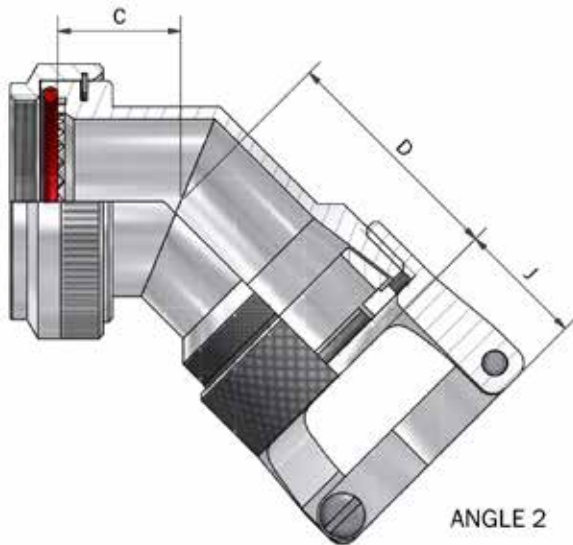
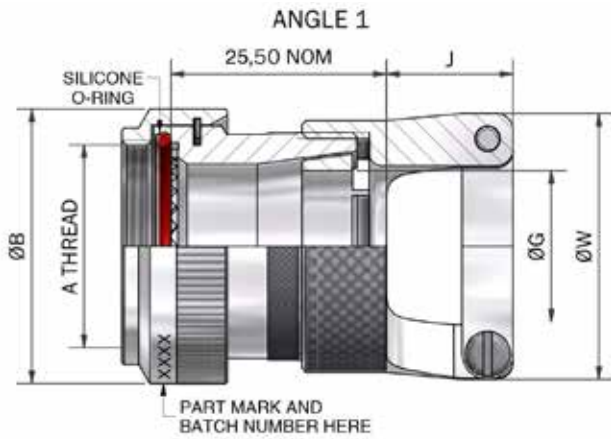
SEE PAGES 18-26 FOR COMPLETE LIST OF AVAILABLE MATERIALS, FINISHES AND CONNECTOR INTERFACES
(DIMENSIONS, FORM AND O RING SUBJECT TO CHANGE DEPENDING ON BACKSHELL MATERIAL AND CONNECTOR INTERFACE)

64H - Cone Clamp Termination

Interface H - MIL-DTL-38999 SERIES III & IV



Interconnect Solutions Worldwide



ANGLE 3



CONE TERMINATION

DRAWING NOT TO SCALE, DIMENSIONS IN MM

SEE PAGES 18-26 FOR COMPLETE LIST OF AVAILABLE MATERIALS, FINISHES AND CONNECTOR INTERFACES (DIMENSIONS, FORM AND O RING SUBJECT TO CHANGE DEPENDING ON BACKSHELL MATERIAL AND CONNECTOR INTERFACE)

64H - Cone Clamp Termination

Interface H - MIL-DTL-38999 SERIES III & IV



Interconnect Solutions Worldwide

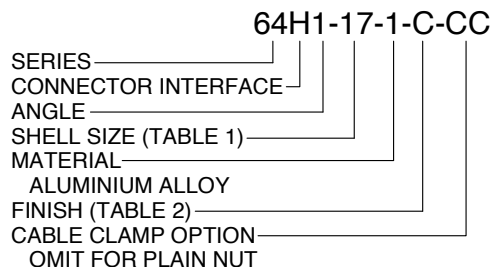
TABLE 1

SHELL SIZE	A THREAD	ØB MAX	C ±0,5	D MAX	E MAX	F MAX	ØG MIN	ØW MAX	ØH MAX	J MAX	K ±0,5	M ±0,5
09	M12 x 1.0	18,0	13,1	24,6	25,7	30,1	6,6	20,7	16,0	15,2	17,5	7,8
11	M15 x 1.0	21,0	13,9	25,4	26,7	31,9	9,3	23,8	19,0	15,2	17,5	8,6
13	M18 x 1.0	24,5	14,5	26,3	31,2	33,4	12,6	27,0	22,0	15,2	20,0	10,2
15	M22 x 1.0	29,0	15,5	26,7	37,2	34,9	14,6	28,6	26,5	15,2	24,5	10,4
17	M25 x 1.0	32,5	16,1	27,5	40,2	36,6	17,7	31,8	29,8	15,2	26,7	12,4
19	M28 x 1.0	35,5	16,8	27,8	44,7	38,2	19,8	35,0	33,0	18,2	27,0	15,4
21	M31 x 1.0	37,0	17,1	28,6	49,2	39,8	23,0	38,1	35,0	18,2	30,5	17,3
23	M34 x 1.0	40,0	17,7	29,5	51,7	41,3	26,2	39,7	38,0	18,2	31,5	18,8
25	M37 x 1.0	43,5	18,4	29,9	53,2	42,8	29,1	44,5	41,0	18,2	28,5	22,4

TABLE 2

CODE	FINISH
C	ELECTROLESS NICKEL
B	CADMIUM OLIVE DRAB OVER ELECTROLESS NICKEL
ZB	ZINC COBALT OLIVE DRAB OVER ELECTROLESS NICKEL
ZN	ZINC NICKEL BLACK PASSIVATE OVER ELECTROLESS NICKEL

LIST NOT EXHAUSTIVE, SEE PLATING TABLE FOR OTHER OPTIONS



CONE TERMINATION

For tooling and assembly instructions see www.polamco.com

- Backshell supplied with Cone(s)
- Sealing and strain relief achieved with Heat Shrink Boot for non CC versions (see page 354)
- Adhesive if required for assembly (see page 352)
- Screenbraid for EMC/RFI screening (see page 350)

DRAWING NOT TO SCALE, DIMENSIONS IN MM

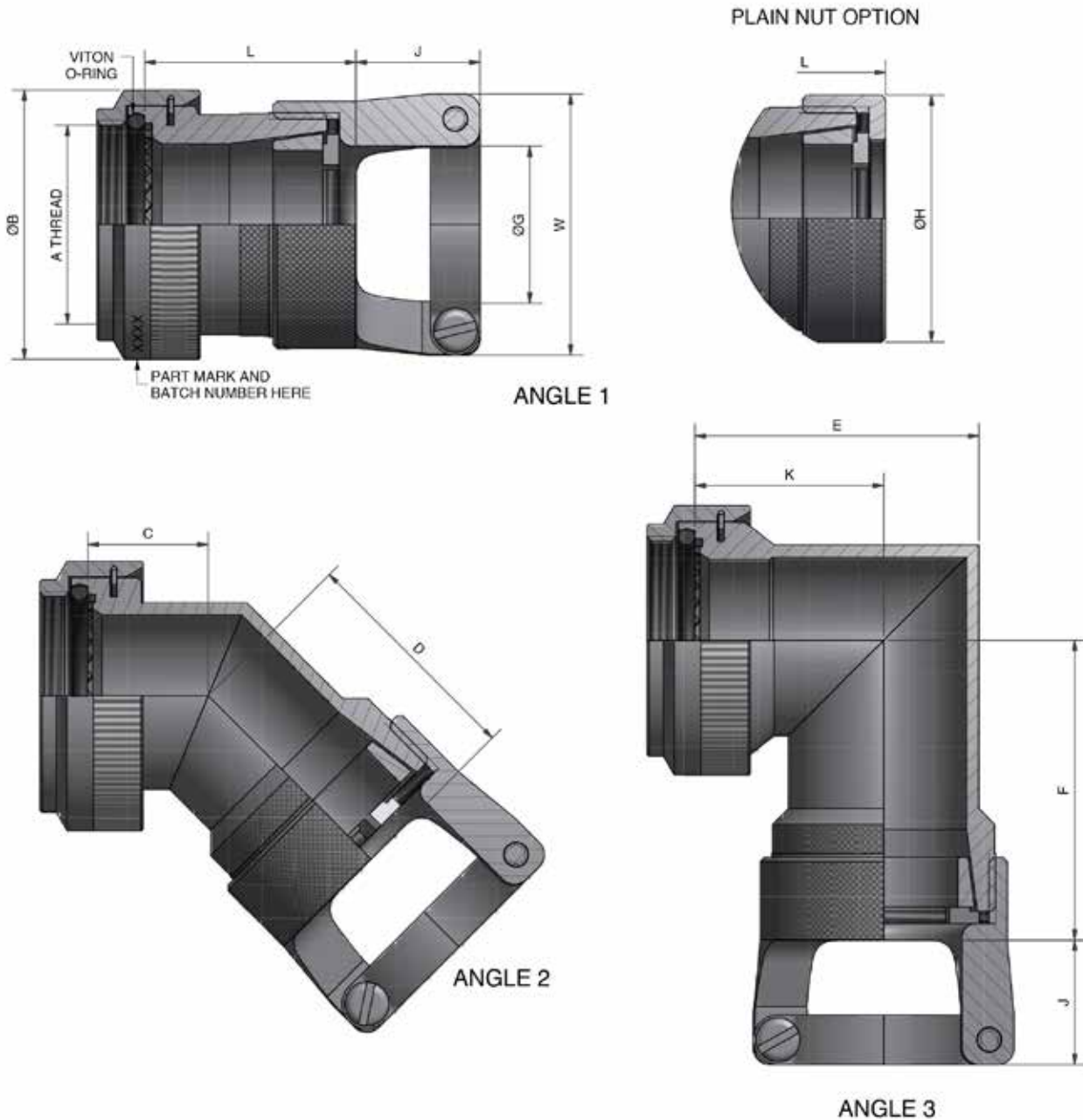
SEE PAGES 18-26 FOR COMPLETE LIST OF AVAILABLE MATERIALS, FINISHES AND CONNECTOR INTERFACES (DIMENSIONS, FORM AND O RING SUBJECT TO CHANGE DEPENDING ON BACKSHELL MATERIAL AND CONNECTOR INTERFACE)

64 (SS) - Cone Clamp Termination Stainless Steel

Interface H - MIL-DTL-38999 SERIES III & IV



Interconnect Solutions Worldwide



CONE TERMINATION

DRAWING NOT TO SCALE, DIMENSIONS IN MM

SEE PAGES 18-26 FOR COMPLETE LIST OF AVAILABLE MATERIALS, FINISHES AND CONNECTOR INTERFACES
(DIMENSIONS, FORM AND O RING SUBJECT TO CHANGE DEPENDING ON BACKSHELL MATERIAL AND CONNECTOR INTERFACE)

64 (SS) - Cone Clamp Termination Stainless Steel

Interface H - MIL-DTL-38999 SERIES III & IV



Interconnect Solutions Worldwide

TABLE 1

SHELL SIZE	A THREAD	ØB MAX	C MAX	D MAX	E MAX	F MAX	K ±0,5	ØG MIN	W MAX	ØH MAX	J ±0,5	L STANDARD
09	M12 x 1.0	18,0	13,1	24,6	21,4	30,1	16,3	6,6	20,7	16,0	15,0	25,5
11	M15 x 1.0	21,0	13,9	25,4	24,5	31,9	17,2	9,3	23,8	19,0	15,0	25,5
13	M18 x 1.0	24,5	14,5	26,3	28,5	33,4	19,4	12,6	27,0	22,0	15,0	25,5
15	M22 x 1.0	29,0	15,5	26,7	31,3	34,9	21,0	14,6	28,6	26,5	15,0	25,5
17	M25 x 1.0	32,5	16,1	27,5	34,4	36,6	22,8	17,7	31,8	29,8	15,0	25,5
19	M28 x 1.0	35,5	16,8	27,8	38,7	38,2	25,3	19,8	35,0	33,0	18,0	25,5
21	M31 x 1.0	37,0	17,1	28,6	40,9	39,8	26,1	23,0	38,1	35,0	18,0	25,5
23	M34 x 1.0	40,0	17,7	29,5	43,9	41,3	27,6	26,2	39,7	38,0	18,0	25,5
25	M37 x 1.0	43,5	18,4	29,9	46,6	42,8	29,1	29,1	44,5	41,0	18,0	25,5

TABLE 2

CODE	MATERIAL / FINISH
4-J	STAINLESS STEEL 303S31 / PASSIVATE
46-J	STAINLESS STEEL 316 / PASSIVATE

LIST NOT EXHAUSTIVE, SEE PLATING TABLE FOR OTHER OPTIONS

64H1-17-4-J-CC-L35

SERIES _____
CONNECTOR INTERFACE _____
ANGLE _____
SHELL SIZE (TABLE 1) _____
MATERIAL (TABLE 2) _____
FINISH (TABLE 2) _____
CABLE CLAMP _____
OMIT FOR PLAIN NUT OPTION _____
LENGTH CODE IN mm (STRAIGHT ONLY) _____
OMIT FOR STANDARD (TABLE 1) _____

CONE TERMINATION

For tooling and assembly instructions see www.polamco.com

Backshell supplied with Cone(s)

Sealing and strain relief achieved with Heat Shrink Boot for non CC versions (see page 354)

Adhesive if required for assembly (see page 352)

Screenbraid for EMC/RFI screening (see page 350)

DRAWING NOT TO SCALE, DIMENSIONS IN MM

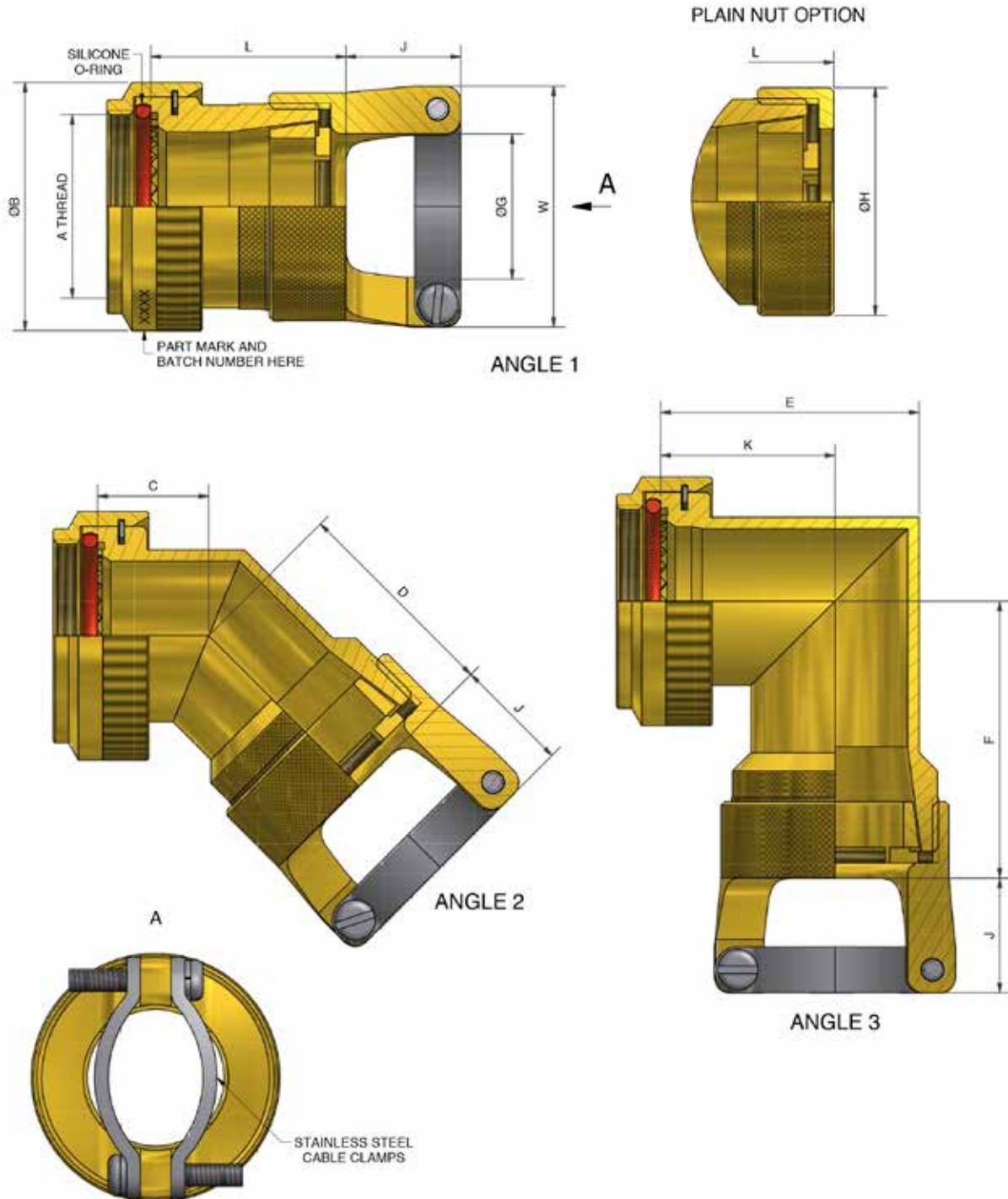
SEE PAGES 18-26 FOR COMPLETE LIST OF AVAILABLE MATERIALS, FINISHES AND CONNECTOR INTERFACES
(DIMENSIONS, FORM AND O RING SUBJECT TO CHANGE DEPENDING ON BACKSHELL MATERIAL AND CONNECTOR INTERFACE)

64 (NB) - Cone Clamp Termination Nickel Aluminium Bronze

Interface H - MIL-DTL-38999 SERIES III & IV



Interconnect Solutions Worldwide



CONE TERMINATION

DRAWING NOT TO SCALE, DIMENSIONS IN MM

SEE PAGES 18-26 FOR COMPLETE LIST OF AVAILABLE MATERIALS, FINISHES AND CONNECTOR INTERFACES
(DIMENSIONS, FORM AND O RING SUBJECT TO CHANGE DEPENDING ON BACKSHELL MATERIAL AND CONNECTOR INTERFACE)

64 (NB) - Cone Clamp Termination Nickel Aluminium Bronze

Interface H - MIL-DTL-38999 SERIES III & IV



Interconnect Solutions Worldwide

TABLE 1

SHELL SIZE	A THREAD	ØB MAX	C MAX	D MAX	E MAX	F MAX	K ±0,5	ØG MIN	W MAX	ØH MAX	J ±0,5	L STANDARD
09	M12 x 1.0	18,0	13,1	24,6	21,4	30,1	16,3	6,6	20,7	16,0	15,0	25,5
11	M15 x 1.0	21,0	13,9	25,4	24,5	31,9	17,2	9,3	23,8	19,0	15,0	25,5
13	M18 x 1.0	24,5	14,5	26,3	28,5	33,4	19,4	12,6	27,0	22,0	15,0	25,5
15	M22 x 1.0	29,0	15,5	26,7	31,3	34,9	21,0	14,6	28,6	26,5	15,0	25,5
17	M25 x 1.0	32,5	16,1	27,5	34,4	36,6	22,8	17,7	31,8	29,8	15,0	25,5
19	M28 x 1.0	35,5	16,8	27,8	38,7	38,2	25,3	19,8	35,0	33,0	18,0	25,5
21	M31 x 1.0	37,0	17,1	28,6	40,9	39,8	26,1	23,0	38,1	35,0	18,0	25,5
23	M34 x 1.0	40,0	17,7	29,5	43,9	41,3	27,6	26,2	39,7	38,0	18,0	25,5
25	M37 x 1.0	43,5	18,4	29,9	46,6	42,8	29,1	29,1	44,5	41,0	18,0	25,5

64H1-17-2-Z-CC-L35

SERIES _____
CONNECTOR INTERFACE _____
ANGLE _____
SHELL SIZE (TABLE 1) _____
MATERIAL _____
NICKEL ALUMINIUM BRONZE
FINISH _____
SHOT BLAST
CABLE CLAMP _____
OMIT FOR PLAIN NUT OPTION
LENGTH CODE IN mm (STRAIGHT ONLY) _____
OMIT FOR STANDARD (TABLE 1)

CONE TERMINATION

For tooling and assembly instructions see www.polamco.com

Backshell supplied with Cone(s)

Sealing and strain relief achieved with Heat Shrink Boot for non CC versions (see page 354)

Adhesive if required for assembly (see page 352)

Screenbraid for EMC/RFI screening (see page 350)

DRAWING NOT TO SCALE, DIMENSIONS IN MM

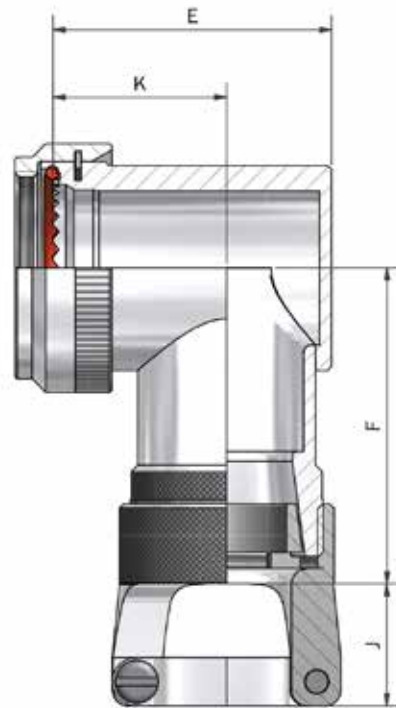
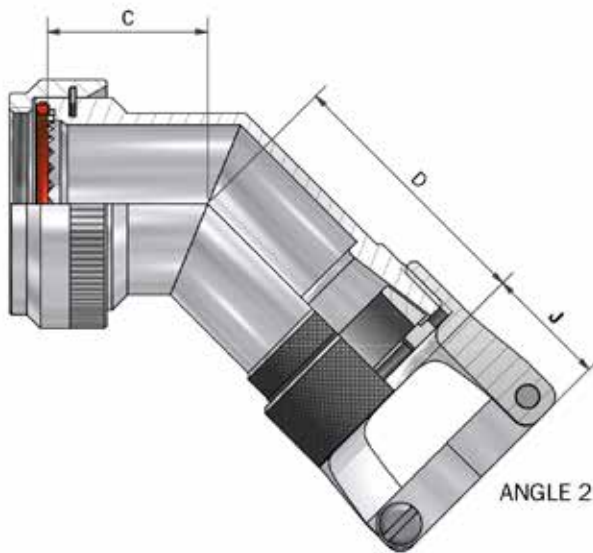
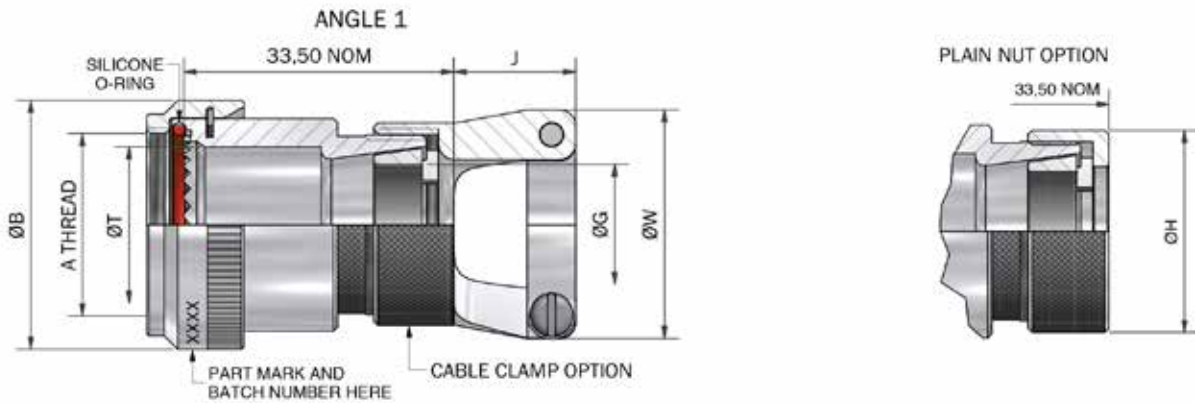
SEE PAGES 18-26 FOR COMPLETE LIST OF AVAILABLE MATERIALS, FINISHES AND CONNECTOR INTERFACES
(DIMENSIONS, FORM AND O RING SUBJECT TO CHANGE DEPENDING ON BACKSHELL MATERIAL AND CONNECTOR INTERFACE)

64F - Cone Clamp Termination Step-Up / Step-Down version

Interface F - MIL-DTL-38999 SERIES I



Interconnect Solutions Worldwide



DRAWING NOT TO SCALE, DIMENSIONS IN MM

SEE PAGES 18-26 FOR COMPLETE LIST OF AVAILABLE MATERIALS, FINISHES AND CONNECTOR INTERFACES
(DIMENSIONS, FORM AND O RING SUBJECT TO CHANGE DEPENDING ON BACKSHELL MATERIAL AND CONNECTOR INTERFACE)

64F - Cone Clamp Termination Step-Up / Step-Down version

Interface F - MIL-DTL-38999 SERIES I



Interconnect Solutions Worldwide

TABLE 1

SHELL SIZE	A THREAD	ØB MAX	ØT MIN	C ±0,5	D MAX	E MAX	F MAX	K ±0,5
09	7/16-28 UNEF	18,0	6,8	16,4	33,6	22,7	35,1	15,0
11	9/16-24 UNEF	21,0	10,2	17,2	34,4	26,2	36,9	17,0
13	11/16-24 UNEF	24,5	13,1	17,6	35,3	29,2	38,4	18,0
15	13/16-20 UNEF	27,8	16,2	18,5	35,7	32,2	39,9	20,0
17	15/16-20 UNEF	30,8	19,3	19,2	36,5	35,7	41,6	21,5
19	1 1/16-18 UNEF	34,1	22,3	19,6	36,8	39,7	43,2	23,0
21	1 3/16-18 UNEF	37,3	25,8	20,4	37,6	42,2	44,8	25,0
23	1 5/16-18 UNEF	41,0	28,3	20,8	38,5	45,2	46,3	26,0
25	1 7/16-18 UNEF	43,7	31,5	21,7	38,9	48,2	47,8	28,0

TABLE 2

ENTRY SIZE	ØG MIN	ØW MAX	ØH MAX	J MAX	M ±0,5
09	6,6	20,7	16,0	15,2	7,8
11	9,3	23,8	19,0	15,2	8,6
13	12,6	27,0	22,0	15,2	10,2
15	14,6	28,6	26,5	15,2	10,4
17	17,7	31,8	29,8	15,2	12,4
19	19,8	35,0	33,0	18,2	15,4
21	23,0	38,1	35,0	18,2	17,3
23	26,2	39,7	38,0	18,2	18,8
25	29,1	44,5	41,0	18,2	22,4

TABLE 3

CODE	FINISH
C	ELECTROLESS NICKEL
B	CADMIUM OLIVE DRAB OVER ELECTROLESS NICKEL
ZB	ZINC COBALT OLIVE DRAB OVER ELECTROLESS NICKEL
ZN	ZINC NICKEL BLACK PASSIVATE OVER ELECTROLESS NICKEL

LIST NOT EXHAUSTIVE, SEE PLATING TABLE FOR OTHER OPTIONS

64F1-17-15-1-C-CC

SERIES _____
CONNECTOR INTERFACE _____
ANGLE _____
SHELL SIZE (TABLE 1) _____
ENTRY SIZE (TABLE 2) _____
MATERIAL _____
ALUMINIUM ALLOY _____
FINISH (TABLE 3) _____
CABLE CLAMP OPTION _____
OMIT FOR PLAIN NUT _____

CONE TERMINATION

For tooling and assembly instructions see www.polamco.com

Backshell supplied with Cone(s)

Sealing and strain relief achieved with Heat Shrink Boot for non CC versions (see page 354)

Adhesive if required for assembly (see page 352)

Screenbraid for EMC/RFI screening (see page 350)

DRAWING NOT TO SCALE, DIMENSIONS IN MM

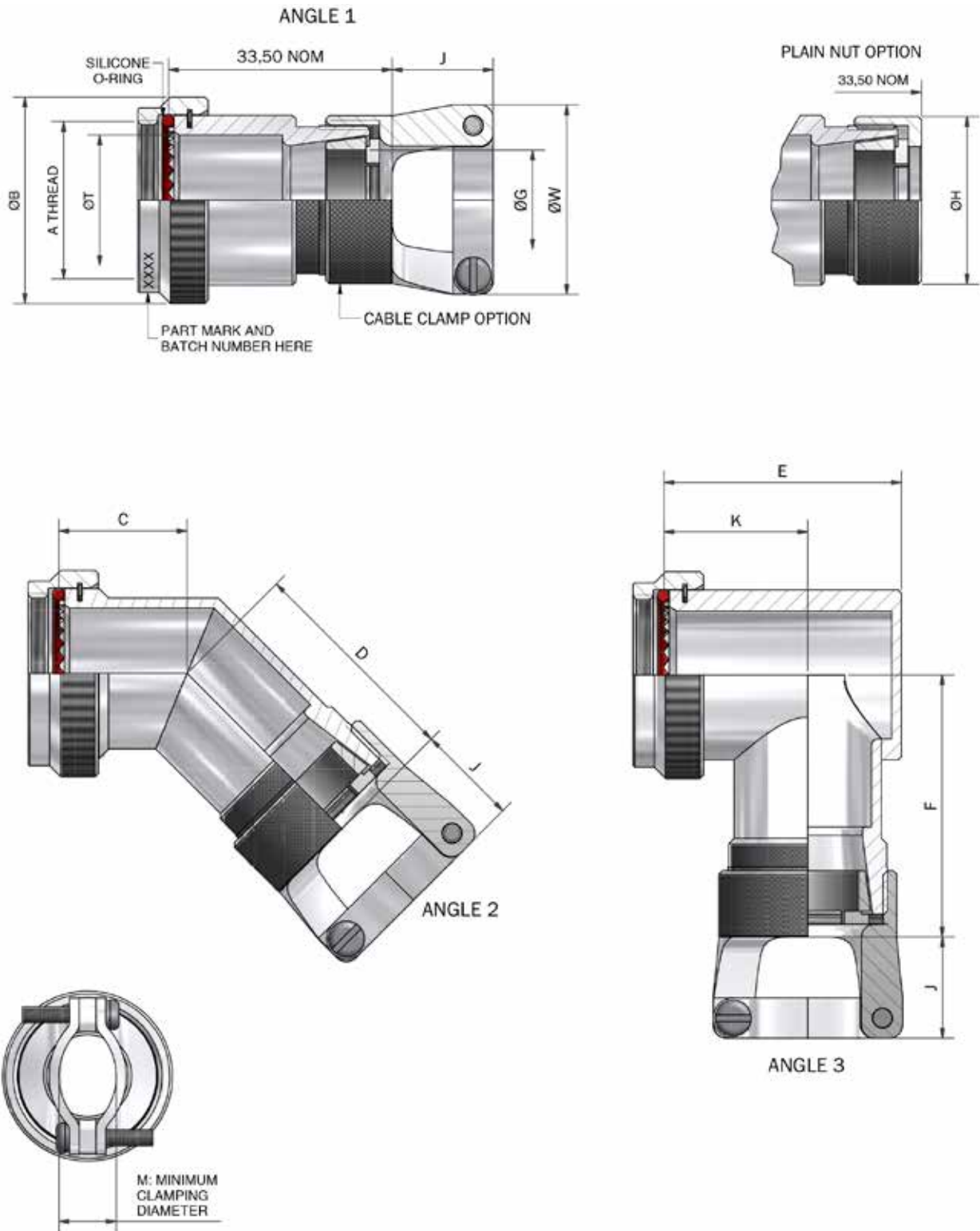
SEE PAGES 18-26 FOR COMPLETE LIST OF AVAILABLE MATERIALS, FINISHES AND CONNECTOR INTERFACES
(DIMENSIONS, FORM AND O RING SUBJECT TO CHANGE DEPENDING ON BACKSHELL MATERIAL AND CONNECTOR INTERFACE)

64F - Cone Clamp Termination Step-Up / Step-Down version

Interface F - MIL-DTL-38999 SERIES II



Interconnect Solutions Worldwide



DRAWING NOT TO SCALE, DIMENSIONS IN MM

SEE PAGES 18-26 FOR COMPLETE LIST OF AVAILABLE MATERIALS, FINISHES AND CONNECTOR INTERFACES
(DIMENSIONS, FORM AND O RING SUBJECT TO CHANGE DEPENDING ON BACKSHELL MATERIAL AND CONNECTOR INTERFACE)

64F - Cone Clamp Termination Step-Up / Step-Down version Interface F - MIL-DTL-38999 SERIES II



Interconnect Solutions Worldwide

TABLE 1

SHELL SIZE	A THREAD	ØB MAX	ØT MIN	C ±0,5	D MAX	E MAX	F NOM	K ±0,5
08	7/16-28 UNEF	18,3	6,6	16,4	33,6	22,7	35,1	15,0
10	9/16-24 UNEF	21,5	10,1	17,2	34,4	26,2	36,9	17,0
12	11/16-24 UNEF	24,5	12,9	17,6	35,3	29,2	38,4	18,0
14	13/16-20 UNEF	27,8	16,1	18,5	35,7	32,2	39,9	20,0
16	15/16-20 UNEF	30,8	19,3	19,2	36,5	35,7	41,6	21,5
18	1 1/16-18 UNEF	34,1	21,7	19,6	36,8	39,7	43,2	23,0
20	1 3/16-18 UNEF	37,3	24,9	20,4	37,6	42,2	44,8	25,0
22	1 5/16-18 UNEF	40,5	28,1	20,8	38,5	45,2	46,3	26,0
24	1 7/16-18 UNEF	43,7	31,3	21,7	38,9	48,2	47,8	28,0

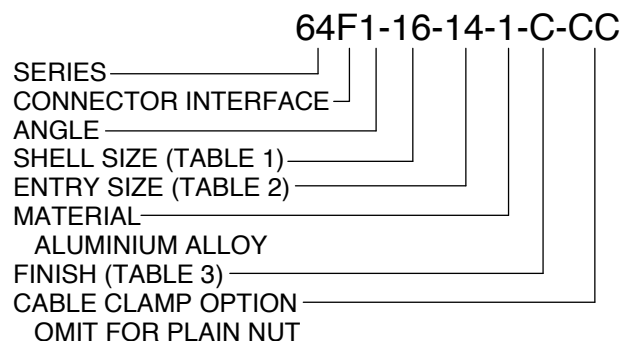
TABLE 2

ENTRY SIZE	ØG MIN	ØW MAX	ØH MAX	J MAX	M ±0,5
08	6,6	20,7	16,0	15,2	7,8
10	9,3	23,8	19,0	15,2	8,6
12	12,6	27,0	22,0	15,2	10,2
14	14,6	28,6	26,5	15,2	10,4
16	17,7	31,8	29,8	15,2	12,4
18	19,8	35,0	33,0	18,2	15,4
20	23,0	38,1	35,0	18,2	17,3
22	26,2	39,7	38,0	18,2	18,8
24	29,1	44,5	41,0	18,2	22,4

TABLE 3

CODE	FINISH
C	ELECTROLESS NICKEL
B	CADMIUM OLIVE DRAB OVER ELECTROLESS NICKEL
ZB	ZINC COBALT OLIVE DRAB OVER ELECTROLESS NICKEL
ZN	ZINC NICKEL BLACK PASSIVATE OVER ELECTROLESS NICKEL

LIST NOT EXHAUSTIVE, SEE PLATING TABLE FOR OTHER OPTIONS



For tooling and assembly instructions see www.polamco.com

Backshell supplied with Cone(s)
Sealing and strain relief achieved with Heat Shrink Boot for non CC versions (see page 354)
Adhesive if required for assembly (see page 352)
Screenbraid for EMC/RFI screening (see page 350)

DRAWING NOT TO SCALE, DIMENSIONS IN MM

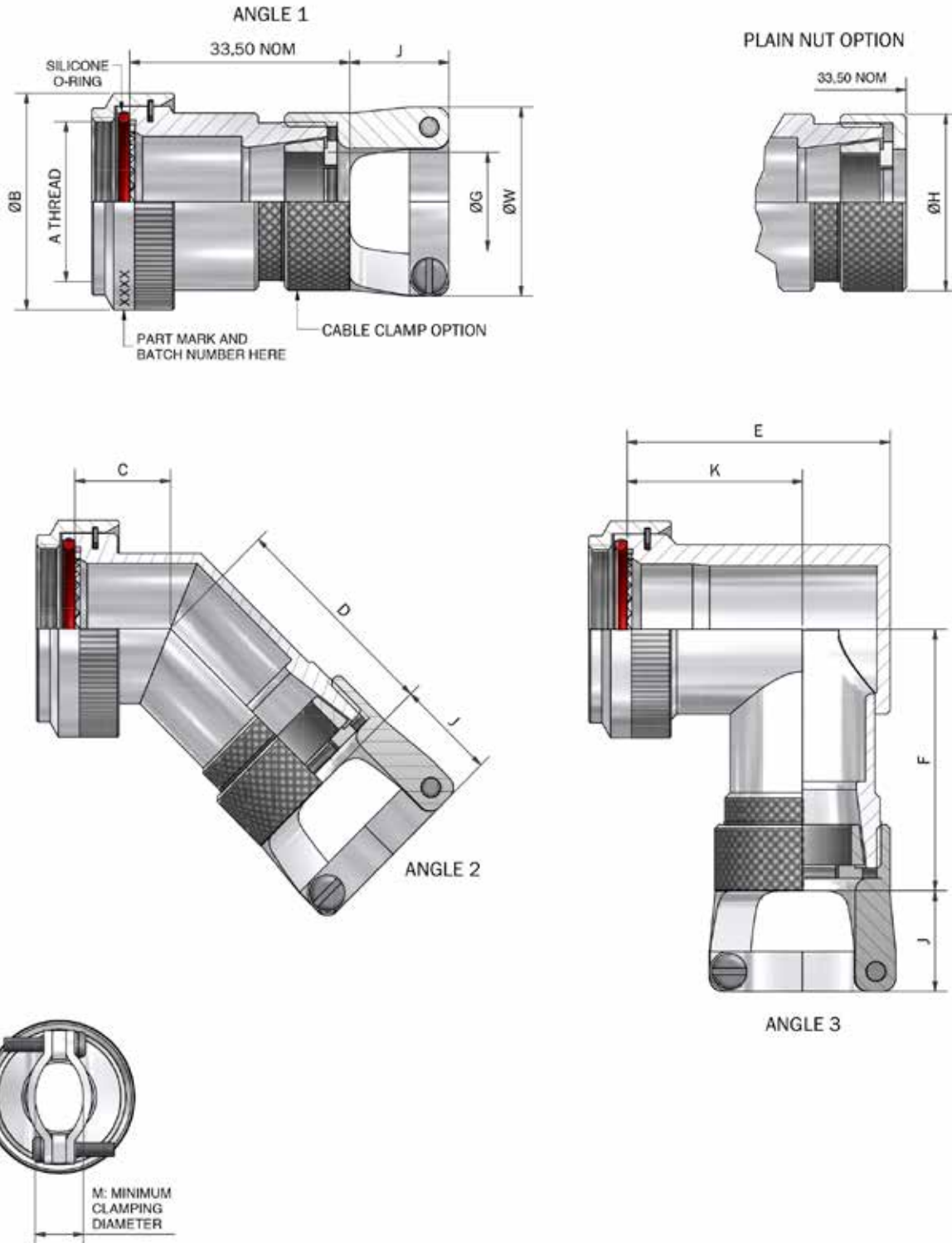
SEE PAGES 18-26 FOR COMPLETE LIST OF AVAILABLE MATERIALS, FINISHES AND CONNECTOR INTERFACES
(DIMENSIONS, FORM AND O RING SUBJECT TO CHANGE DEPENDING ON BACKSHELL MATERIAL AND CONNECTOR INTERFACE)

64H - Cone Clamp Termination Step-Up / Step-Down version

Interface H - MIL-DTL-38999 SERIES III & IV



Interconnect Solutions Worldwide



DRAWING NOT TO SCALE, DIMENSIONS IN MM

SEE PAGES 18-26 FOR COMPLETE LIST OF AVAILABLE MATERIALS, FINISHES AND CONNECTOR INTERFACES
(DIMENSIONS, FORM AND O RING SUBJECT TO CHANGE DEPENDING ON BACKSHELL MATERIAL AND CONNECTOR INTERFACE)

64H - Cone Clamp Termination Step-Up / Step-Down version

Interface H - MIL-DTL-38999 SERIES III & IV



Interconnect Solutions Worldwide

TABLE 1

SHELL SIZE	A THREAD	ØB MAX	C ±0,5	D MAX	E MAX	F MAX	K ±0,5
09	M12 x 1.0	18,0	13,1	29,6	25,7	35,1	17,5
11	M15 x 1.0	21,0	13,9	30,4	26,7	36,9	17,5
13	M18 x 1.0	24,5	14,5	31,3	31,2	38,4	20,0
15	M22 x 1.0	29,0	15,5	31,7	37,2	39,9	24,5
17	M25 x 1.0	32,5	16,1	32,5	40,2	41,6	26,7
19	M28 x 1.0	35,5	16,8	32,8	44,7	43,2	27,0
21	M31 x 1.0	37,0	17,1	33,6	49,2	44,8	30,5
23	M34 x 1.0	40,0	17,7	34,5	51,7	46,3	31,5
25	M37 x 1.0	43,5	18,4	34,9	53,2	47,8	28,5

TABLE 2

ENTRY SIZE	ØG MIN	ØW MAX	ØH MAX	J MAX	M ±0,5
09	6,6	20,7	16,0	15,2	7,8
11	9,3	23,8	19,0	15,2	8,6
13	12,6	27,0	22,0	15,2	10,2
15	14,6	28,6	26,5	15,2	10,4
17	17,7	31,8	29,8	15,2	12,4
19	19,8	35,0	33,0	18,2	15,4
21	23,0	38,1	35,0	18,2	17,3
23	26,2	39,7	38,0	18,2	18,8
25	29,1	44,5	41,0	18,2	22,4

TABLE 3

CODE	FINISH
C	ELECTROLESS NICKEL
B	CADMIUM OLIVE DRAB OVER ELECTROLESS NICKEL
ZB	ZINC COBALT OLIVE DRAB OVER ELECTROLESS NICKEL
ZN	ZINC NICKEL BLACK PASSIVATE OVER ELECTROLESS NICKEL

LIST NOT EXHAUSTIVE, SEE PLATING TABLE FOR OTHER OPTIONS

64H1-17-15-1-C-CC

SERIES _____
CONNECTOR INTERFACE _____
ANGLE _____
SHELL SIZE (TABLE 1) _____
ENTRY SIZE (TABLE 2) _____
MATERIAL _____
ALUMINIUM ALLOY _____
FINISH (TABLE 3) _____
CABLE CLAMP OPTION _____
OMIT FOR PLAIN NUT _____

CONE TERMINATION

For tooling and assembly instructions see www.polamco.com

Backshell supplied with Cone(s)

Sealing and strain relief achieved with Heat Shrink Boot for non CC versions (see page 354)

Adhesive if required for assembly (see page 352)

Screenbraid for EMC/RFI screening (see page 350)

DRAWING NOT TO SCALE, DIMENSIONS IN MM

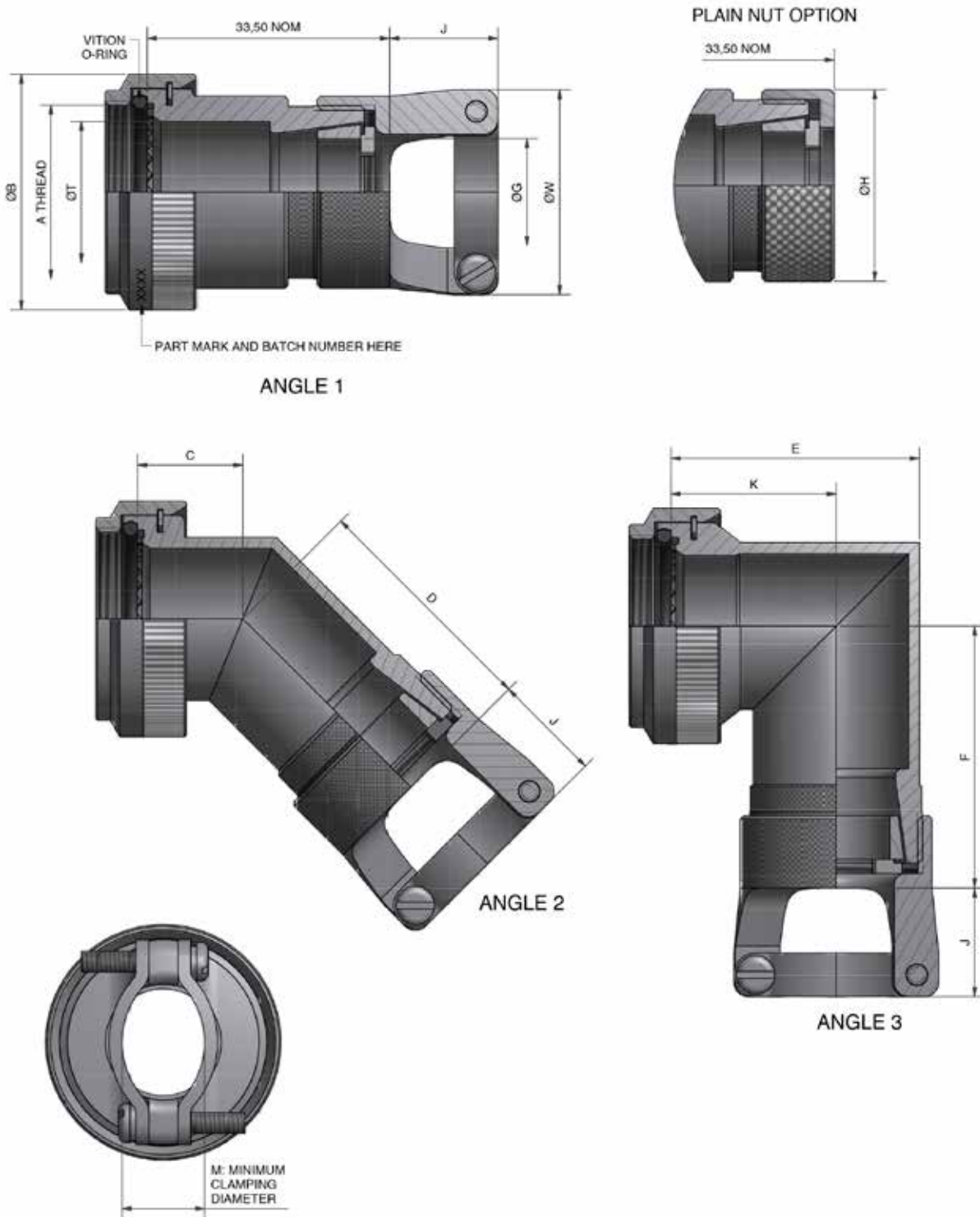
SEE PAGES 18-26 FOR COMPLETE LIST OF AVAILABLE MATERIALS, FINISHES AND CONNECTOR INTERFACES
(DIMENSIONS, FORM AND O RING SUBJECT TO CHANGE DEPENDING ON BACKSHELL MATERIAL AND CONNECTOR INTERFACE)

64 (SS) - Cone Clamp Termination Step-Up / Step-Down version

Interface H - MIL-DTL-38999 SERIES III & IV



Interconnect Solutions Worldwide



DRAWING NOT TO SCALE, DIMENSIONS IN MM

SEE PAGES 18-26 FOR COMPLETE LIST OF AVAILABLE MATERIALS, FINISHES AND CONNECTOR INTERFACES
(DIMENSIONS, FORM AND O RING SUBJECT TO CHANGE DEPENDING ON BACKSHELL MATERIAL AND CONNECTOR INTERFACE)

64 (SS) - Cone Clamp Termination Step-Up / Step-Down version

Interface H - MIL-DTL-38999 SERIES III & IV



Interconnect Solutions Worldwide

TABLE 1

SHELL SIZE	A THREAD	ØB MAX	ØT MIN	C ±0,5	D MAX	E MAX	F MAX	K ±0,5
09	M12 x 1.0	18,0	6,7	12,0	29,6	21,4	35,1	16,3
11	M15 x 1.0	21,0	9,9	12,5	30,4	24,5	36,9	17,2
13	M18 x 1.0	24,5	12,8	13,1	31,3	28,5	38,4	19,4
15	M22 x 1.0	29,0	16,0	13,5	31,7	31,3	39,9	21,0
17	M25 x 1.0	32,5	19,2	14,5	32,5	34,4	41,6	22,8
19	M28 x 1.0	35,5	21,4	15,5	32,8	38,7	43,2	25,3
21	M31 x 1.0	37,0	24,6	16,0	33,6	40,9	44,8	26,1
23	M34 x 1.0	40,0	27,7	16,5	34,5	43,9	46,3	27,6
25	M37 x 1.0	43,5	30,9	17,1	34,9	46,6	47,8	29,1

TABLE 2

ENTRY SIZE	ØG MIN	W MAX	ØH MAX	J ±0,5	M ±0,5
09	6,6	20,7	16,0	15,0	7,8
11	9,3	23,8	19,0	15,0	8,6
13	12,6	27,0	22,0	15,0	10,2
15	14,6	28,6	26,5	15,0	10,4
17	17,7	31,8	29,8	15,0	12,4
19	19,8	35,0	33,0	18,0	15,4
21	23,0	38,1	35,0	18,0	17,3
23	26,2	39,7	38,0	18,0	18,8
25	29,1	44,5	41,0	18,0	22,4

TABLE 3

CODE	MATERIAL / FINISH
4-J	STAINLESS STEEL 303S31 / PASSIVATE
46-J	STAINLESS STEEL 316 / PASSIVATE

LIST NOT EXHAUSTIVE, SEE PLATING TABLE FOR OTHER OPTIONS

64H1-17-15-4-J-CC

SERIES _____
CONNECTOR INTERFACE _____
ANGLE _____
SHELL SIZE (TABLE 1) _____
ENTRY SIZE (TABLE 2) _____
MATERIAL (TABLE 3) _____
FINISH (TABLE 3) _____
CABLE CLAMP OPTION _____
OMIT FOR PLAIN NUT

CONE TERMINATION

For tooling and assembly instructions see www.polamco.com

Backshell supplied with Cone(s)

Sealing and strain relief achieved with Heat Shrink Boot for non CC versions (see page 354)

Adhesive if required for assembly (see page 352)

Screenbraid for EMC/RFI screening (see page 350)

DRAWING NOT TO SCALE, DIMENSIONS IN MM

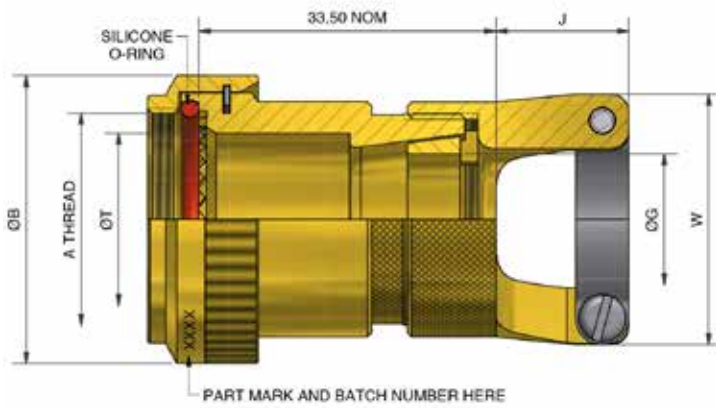
SEE PAGES 18-26 FOR COMPLETE LIST OF AVAILABLE MATERIALS, FINISHES AND CONNECTOR INTERFACES
(DIMENSIONS, FORM AND O RING SUBJECT TO CHANGE DEPENDING ON BACKSHELL MATERIAL AND CONNECTOR INTERFACE)

64 (NB) - Cone Clamp Termination Step-Up / Step-Down version

Interface H - MIL-DTL-38999 SERIES III & IV

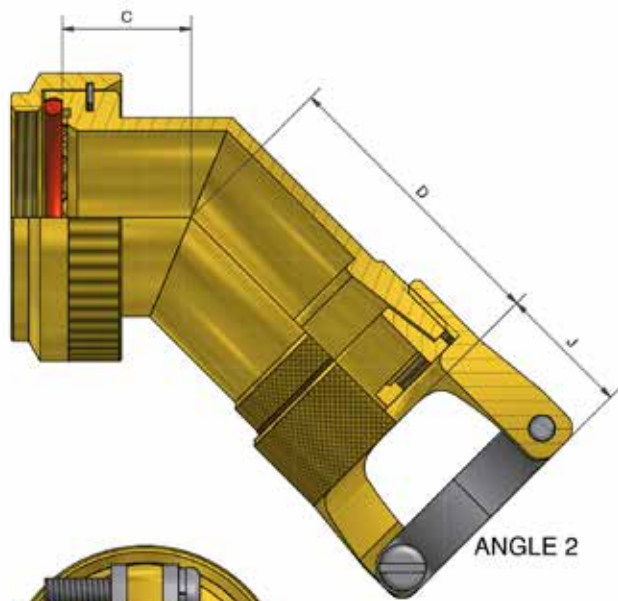
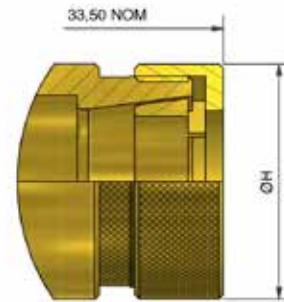


Interconnect Solutions Worldwide

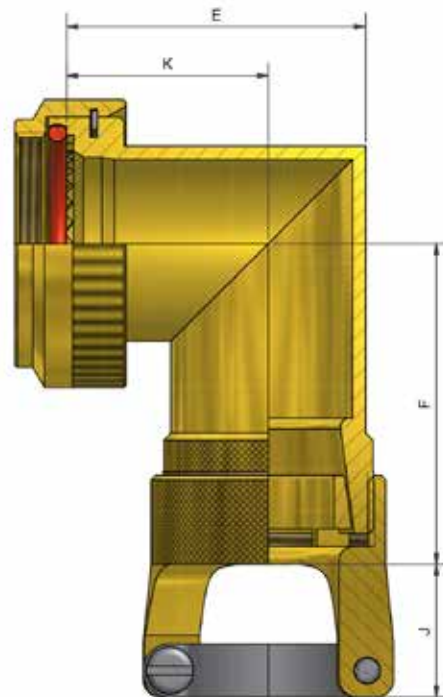


ANGLE 1

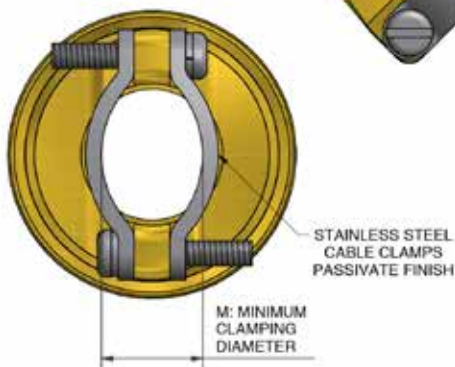
PLAIN NUT OPTION



ANGLE 2



ANGLE 3



CONE TERMINATION

DRAWING NOT TO SCALE, DIMENSIONS IN MM

SEE PAGES 18-26 FOR COMPLETE LIST OF AVAILABLE MATERIALS, FINISHES AND CONNECTOR INTERFACES
(DIMENSIONS, FORM AND O RING SUBJECT TO CHANGE DEPENDING ON BACKSHELL MATERIAL AND CONNECTOR INTERFACE)

64 (NB) - Cone Clamp Termination Step-Up / Step-Down version

Interface H - MIL-DTL-38999 SERIES III & IV



Interconnect Solutions Worldwide

TABLE 1

SHELL SIZE	A THREAD	ØB MAX	ØT MIN	C ±0,5	D MAX	E MAX	F MAX	K ±0,5
09	M12 x 1.0	18,0	6,7	12,0	29,6	21,4	35,1	16,3
11	M15 x 1.0	21,0	9,9	12,5	30,4	24,5	36,9	17,2
13	M18 x 1.0	24,5	12,8	13,1	31,3	28,5	38,4	19,4
15	M22 x 1.0	29,0	16,0	13,5	31,7	31,3	39,9	21,0
17	M25 x 1.0	32,5	19,2	14,5	32,5	34,4	41,6	22,8
19	M28 x 1.0	35,5	21,4	15,5	32,8	38,7	43,2	25,3
21	M31 x 1.0	37,0	24,6	16,0	33,6	40,9	44,8	26,1
23	M34 x 1.0	40,0	27,7	16,5	34,5	43,9	46,3	27,6
25	M37 x 1.0	43,5	30,9	17,1	34,9	46,6	47,8	29,1

TABLE 2

ENTRY SIZE	ØG MIN	W MAX	ØH MAX	J ±0,5	M ±0,5
09	6,6	20,7	16,0	15,0	7,8
11	9,3	23,8	19,0	15,0	8,6
13	12,6	27,0	22,0	15,0	10,2
15	14,6	28,6	26,5	15,0	10,4
17	17,7	31,8	29,8	15,0	12,4
19	19,8	35,0	33,0	18,0	15,4
21	23,0	38,1	35,0	18,0	17,3
23	26,2	39,7	38,0	18,0	18,8
25	29,1	44,5	41,0	18,0	22,4

64H1-17-15-2-Z-CC

SERIES
CONNECTOR INTERFACE
ANGLE
SHELL SIZE (TABLE 1)
ENTRY SIZE (TABLE 2)
MATERIAL
NICKEL ALUMINIUM BRONZE
FINISH
SHOT BLAST
CABLE CLAMP OPTION
OMIT FOR PLAIN NUT

CONE TERMINATION

For tooling and assembly instructions see www.polamco.com

Backshell supplied with Cone(s)

Sealing and strain relief achieved with Heat Shrink Boot for non CC versions (see page 354)

Adhesive if required for assembly (see page 352)

Screenbraid for EMC/RFI screening (see page 350)

DRAWING NOT TO SCALE, DIMENSIONS IN MM

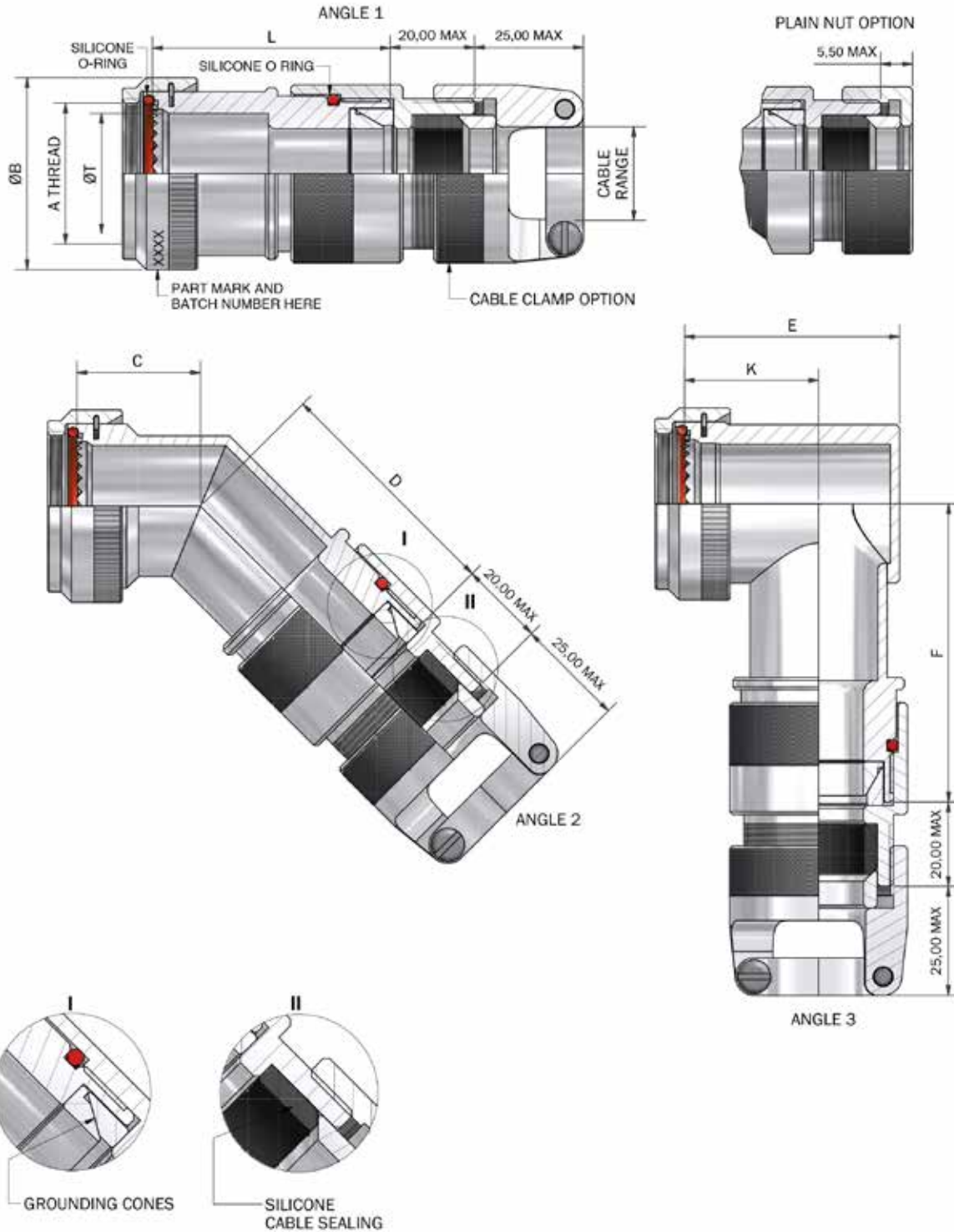
SEE PAGES 18-26 FOR COMPLETE LIST OF AVAILABLE MATERIALS, FINISHES AND CONNECTOR INTERFACES
(DIMENSIONS, FORM AND O RING SUBJECT TO CHANGE DEPENDING ON BACKSHELL MATERIAL AND CONNECTOR INTERFACE)

35F - Cone Clamp Cable Sealing Backshell

Interface F - MIL-DTL-38999 SERIES I



Interconnect Solutions Worldwide



DRAWING NOT TO SCALE, DIMENSIONS IN MM

SEE PAGES 18-26 FOR COMPLETE LIST OF AVAILABLE MATERIALS, FINISHES AND CONNECTOR INTERFACES (DIMENSIONS, FORM AND O RING SUBJECT TO CHANGE DEPENDING ON BACKSHELL MATERIAL AND CONNECTOR INTERFACE)

35F - Cone Clamp Cable Sealing Backshell

Interface F - MIL-DTL-38999 SERIES I



Interconnect Solutions Worldwide

TABLE 1

SHELL SIZE	A THREAD	ØB MAX	ØT MIN	MAX ENTRY	C ±0,5	D MAX	E MAX	F MAX	K ±0,5
09	7/16-28 UNEF	18,0	6,8	-	16,4	35,8	22,7	36,1	15,0
11	9/16-24 UNEF	21,0	10,2	04	17,2	37,3	26,2	39,1	17,0
13	11/16-24 UNEF	24,5	13,1	06	17,6	38,9	29,2	39,6	18,0
15	13/16-20 UNEF	27,8	16,2	10	18,5	41,1	32,2	41,4	20,0
17	15/16-20 UNEF	30,8	19,3	12	19,2	43,9	35,7	48,0	21,5
19	1 1/16-18 UNEF	34,1	22,3	12	19,6	48,8	39,7	50,8	23,0
21	1 3/16-18 UNEF	37,3	25,8	16	20,4	50,1	42,2	50,8	25,0
23	1 5/16-18 UNEF	41,0	28,3	16	20,8	52,6	45,2	50,8	26,0
25	1 7/16-18 UNEF	43,7	31,5	16	21,7	54,0	48,2	50,8	28,0

IF MAX ENTRY IS EXCEEDED, ADAPTOR ASSEMBLY IS SUPPLIED AS STYLE 2 (T2 DOES NOT FEATURE IN THE PART NUMBER) IN WHICH CASE DIMENSIONS C, D, E, F & K DO NOT APPLY AND MIN L IS L3

TABLE 2

ENTRY SIZE	CABLE RANGE
04	3,2 - 7,9
06	6,4 - 11,1
08	9,8 - 14,3
10	8,9 - 15,9
12	12,7 - 19,1
16	15,9 - 23,8
20	22,2 - 31,8
24	25,4 - 34,9
28	31,8 - 41,3
32	36,5 - 47,6

TABLE 3

CODE	FINISH
C	ELECTROLESS NICKEL
B	CADMIUM OLIVE DRAB OVER ELECTROLESS NICKEL
ZB	ZINC COBALT OLIVE DRAB OVER ELECTROLESS NICKEL
ZN	ZINC NICKEL BLACK PASSIVATE OVER ELECTROLESS NICKEL

LIST NOT EXHAUSTIVE, SEE PLATING TABLE FOR OTHER OPTIONS

35F1-17-08-1-C-CC-L3

SERIES
 CONNECTOR INTERFACE
 ANGLE
 SHELL SIZE (TABLE 1)
 ENTRY SIZE (TABLE 2)
 MATERIAL
 ALUMINIUM ALLOY
 FINISH (TABLE 2)
 CABLE CLAMP OPTION
 OMIT FOR PLAIN NUT
 LENGTH CODE (STRAIGHT ONLY)
 1/2" INCREMENTS, MINIMUM L2(=1")

CONE TERMINATION

For tooling and assembly instructions see www.polamco.com

Backshell supplied with Cone(s)
 Sealing and strain relief achieved with Heat Shrink Boot for non CC versions (see page 354)
 Adhesive if required for assembly (see page 352)
 Screenbraid for EMC/RFI screening (see page 350)

DRAWING NOT TO SCALE, DIMENSIONS IN MM

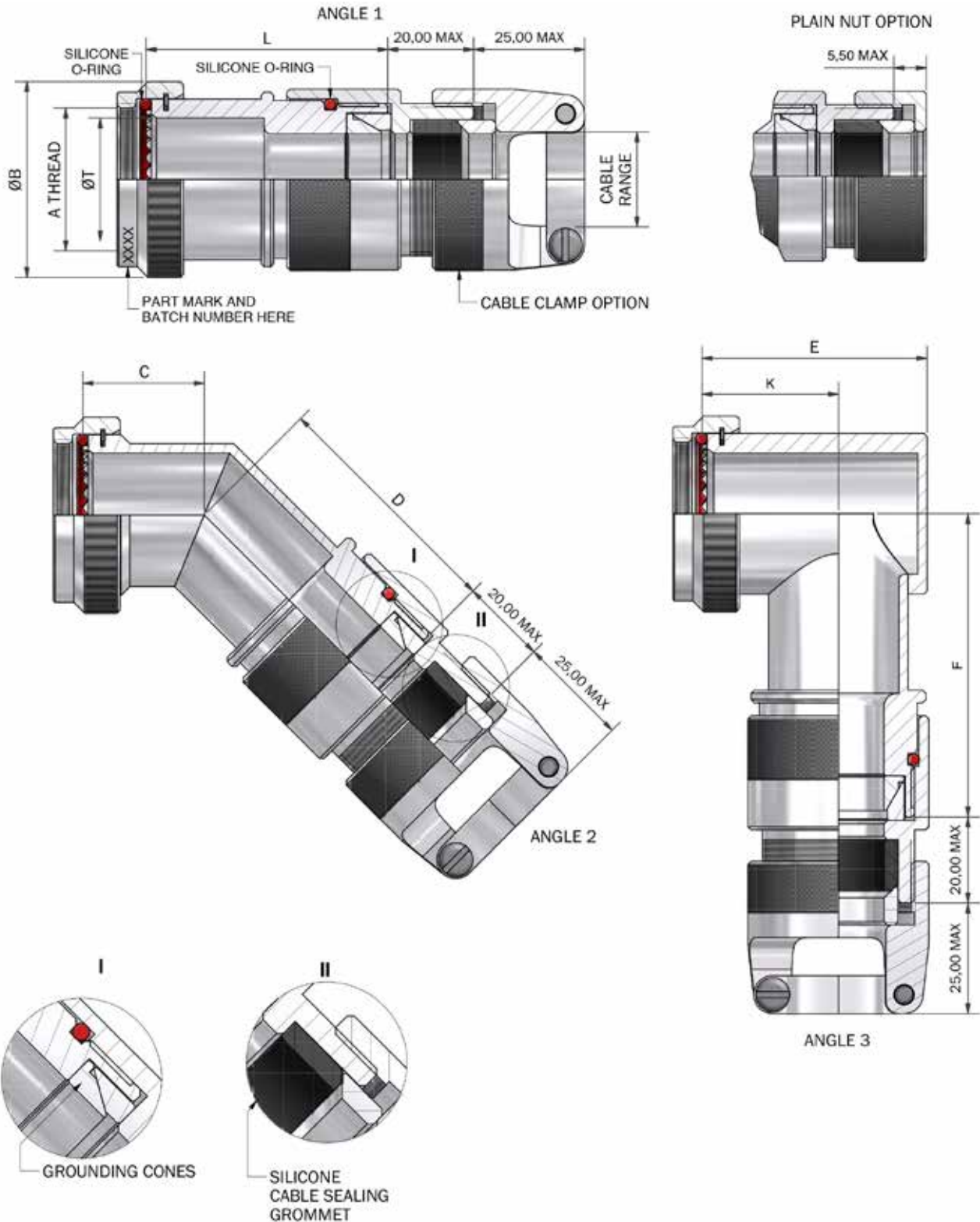
SEE PAGES 18-26 FOR COMPLETE LIST OF AVAILABLE MATERIALS, FINISHES AND CONNECTOR INTERFACES (DIMENSIONS, FORM AND O RING SUBJECT TO CHANGE DEPENDING ON BACKSHELL MATERIAL AND CONNECTOR INTERFACE)

35F - Cone Clamp Cable Sealing Backshell

Interface F - MIL-DTL-38999 SERIES II



Interconnect Solutions Worldwide



DRAWING NOT TO SCALE, DIMENSIONS IN MM

SEE PAGES 18-26 FOR COMPLETE LIST OF AVAILABLE MATERIALS, FINISHES AND CONNECTOR INTERFACES (DIMENSIONS, FORM AND O RING SUBJECT TO CHANGE DEPENDING ON BACKSHELL MATERIAL AND CONNECTOR INTERFACE)

35F - Cone Clamp Cable Sealing Backshell

Interface F - MIL-DTL-38999 SERIES II



Interconnect Solutions Worldwide

TABLE 1

SHELL SIZE	A THREAD	ØB MAX	ØT MIN	MAX ENTRY	C ±0,5	D MAX	E MAX	F MAX	K ±0,5
08	7/16-28 UNEF	18,3	6,6	-	16,4	35,8	22,7	36,1	15,0
10	9/16-24 UNEF	21,5	10,1	04	17,2	37,3	26,2	39,1	17,0
12	11/16-24 UNEF	24,5	12,9	06	17,6	38,9	29,2	39,6	18,0
14	13/16-20 UNEF	27,8	16,1	10	18,5	41,1	32,2	41,4	20,0
16	15/16-20 UNEF	30,8	19,3	12	19,2	43,9	35,7	48,0	21,5
18	1 1/16-18 UNEF	34,1	21,7	12	19,6	48,8	39,7	50,8	23,0
20	1 3/16-18 UNEF	37,3	24,9	16	20,4	50,1	42,2	50,8	25,0
22	1 5/16-18 UNEF	40,5	28,1	16	20,8	52,6	45,2	50,8	26,0
24	1 7/16-18 UNEF	43,7	31,3	16	21,7	54,0	48,2	50,8	28,0

IF MAX ENTRY IS EXCEEDED, ADAPTOR ASSEMBLY IS SUPPLIED AS STYLE 2 (T2 DOES NOT FEATURE IN THE PART NUMBER) IN WHICH CASE DIMENSIONS C, D, E, F & K DO NOT APPLY AND MIN L IS L3

TABLE 2

ENTRY SIZE	CABLE RANGE
04	3,2 - 7,9
06	6,4 - 11,1
08	9,8 - 14,3
10	8,9 - 15,9
12	12,7 - 19,1
16	15,9 - 23,8
20	22,2 - 31,8
24	25,4 - 34,9
28	31,8 - 41,3
32	36,5 - 47,6

TABLE 3

CODE	FINISH
C	ELECTROLESS NICKEL
B	CADMIUM OLIVE DRAB OVER ELECTROLESS NICKEL
ZB	ZINC COBALT OLIVE DRAB OVER ELECTROLESS NICKEL
ZN	ZINC NICKEL BLACK PASSIVATE OVER ELECTROLESS NICKEL

LIST NOT EXHAUSTIVE, SEE PLATING TABLE FOR OTHER OPTIONS

35F1-16-08-1-C-CC-L3

SERIES _____
 CONNECTOR INTERFACE _____
 ANGLE _____
 SHELL SIZE (TABLE 1) _____
 ENTRY SIZE (TABLE 2) _____
 MATERIAL _____
 ALUMINIUM ALLOY _____
 FINISH (TABLE 3) _____
 CABLE CLAMP OPTION _____
 OMIT FOR PLAIN NUT _____
 LENGTH CODE (STRAIGHT ONLY) _____
 1/2" INCREMENTS, MINIMUM L2(=1")

CONE TERMINATION

For tooling and assembly instructions see www.polamco.com

Backshell supplied with Cone(s)

Sealing and strain relief achieved with Heat Shrink Boot for non CC versions (see page 354)

Adhesive if required for assembly (see page 352)

Screenbraid for EMC/RFI screening (see page 350)

DRAWING NOT TO SCALE, DIMENSIONS IN MM

SEE PAGES 18-26 FOR COMPLETE LIST OF AVAILABLE MATERIALS, FINISHES AND CONNECTOR INTERFACES (DIMENSIONS, FORM AND O RING SUBJECT TO CHANGE DEPENDING ON BACKSHELL MATERIAL AND CONNECTOR INTERFACE)

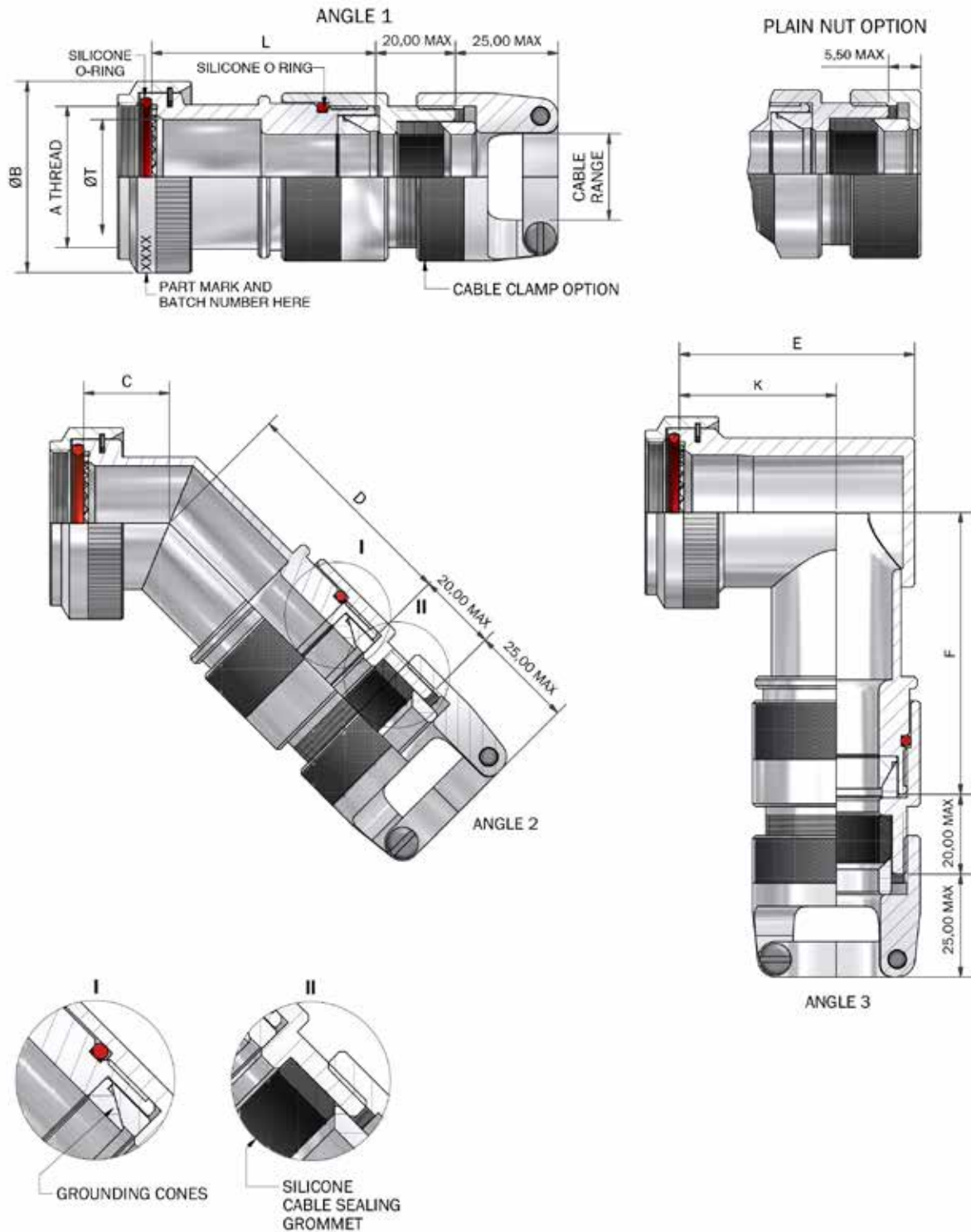
35H - Cone Clamp Cable Sealing Backshell

Interface H - MIL-DTL-38999 SERIES III & IV



Interconnect Solutions Worldwide

COMPLIES WITH THE REQUIREMENTS OF SPECIFICATION BS EN 60529: 1992 to IP68.



DRAWING NOT TO SCALE, DIMENSIONS IN MM

SEE PAGES 18-26 FOR COMPLETE LIST OF AVAILABLE MATERIALS, FINISHES AND CONNECTOR INTERFACES (DIMENSIONS, FORM AND O RING SUBJECT TO CHANGE DEPENDING ON BACKSHELL MATERIAL AND CONNECTOR INTERFACE)

35H - Cone Clamp Cable Sealing Backshell

Interface H - MIL-DTL-38999 SERIES III & IV



Interconnect Solutions Worldwide

TABLE 1

SHELL SIZE	A THREAD	ØB MAX	ØT MIN	MAX ENTRY	C MAX	D MAX	E MAX	F MAX	K
09	M12 x 1.0	18,0	6,7	-	13,1	35,8	25,7	36,1	±0,5
11	M15 x 1.0	21,0	10,2	04	13,9	37,3	26,7	39,1	17,5
13	M18 x 1.0	24,5	13,5	06	14,5	38,9	31,2	39,6	20,0
15	M22 x 1.0	29,0	16,2	10	15,5	41,1	37,2	41,4	24,5
17	M25 x 1.0	32,5	19,4	12	16,1	43,9	40,2	48,0	26,7
19	M28 x 1.0	35,5	21,8	12	16,8	48,8	44,7	50,8	27,0
21	M31 x 1.0	37,0	25,1	16	17,1	50,1	49,2	50,8	30,5
23	M34 x 1.0	40,0	28,2	16	17,7	52,6	51,7	50,8	31,5
25	M37 x 1.0	43,5	31,4	16	18,4	54,0	53,2	50,8	28,5

IF MAX ENTRY IS EXCEEDED, ADAPTOR ASSEMBLY IS SUPPLIED AS STYLE 2 (T2 DOES NOT FEATURE IN THE PART NUMBER) IN WHICH CASE DIMENSIONS C, D, E, F & K DO NOT APPLY AND MIN L IS L3

TABLE 2

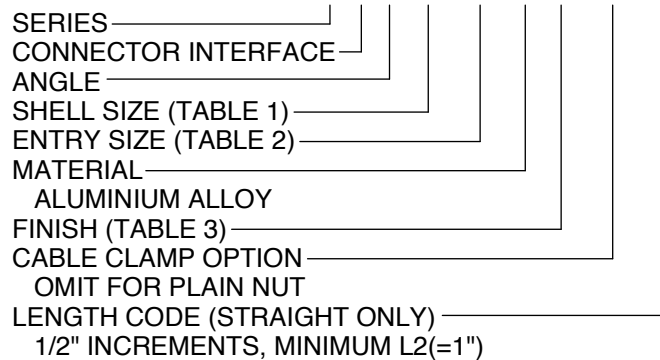
ENTRY SIZE	CABLE RANGE
04	3,2 - 7,9
06	6,4 - 11,1
08	9,8 - 14,3
10	8,9 - 15,9
12	12,7 - 19,1
16	15,9 - 23,8
20	22,2 - 31,8
24	25,4 - 34,9
28	31,8 - 41,3
32	36,5 - 47,6

TABLE 3

CODE	FINISH
C	ELECTROLESS NICKEL
B	CADMIUM OLIVE DRAB OVER ELECTROLESS NICKEL
ZB	ZINC COBALT OLIVE DRAB OVER ELECTROLESS NICKEL
ZN	ZINC NICKEL BLACK PASSIVATE OVER ELECTROLESS NICKEL

LIST NOT EXHAUSTIVE, SEE PLATING TABLE FOR OTHER OPTIONS

35H1-17-08-1-C-CC-L3



CONE TERMINATION

For tooling and assembly instructions see www.polamco.com

Backshell supplied with Cone(s)

Sealing and strain relief achieved with Heat Shrink Boot for non CC versions (see page 354)

Adhesive if required for assembly (see page 352)

Screenbraid for EMC/RFI screening (see page 350)

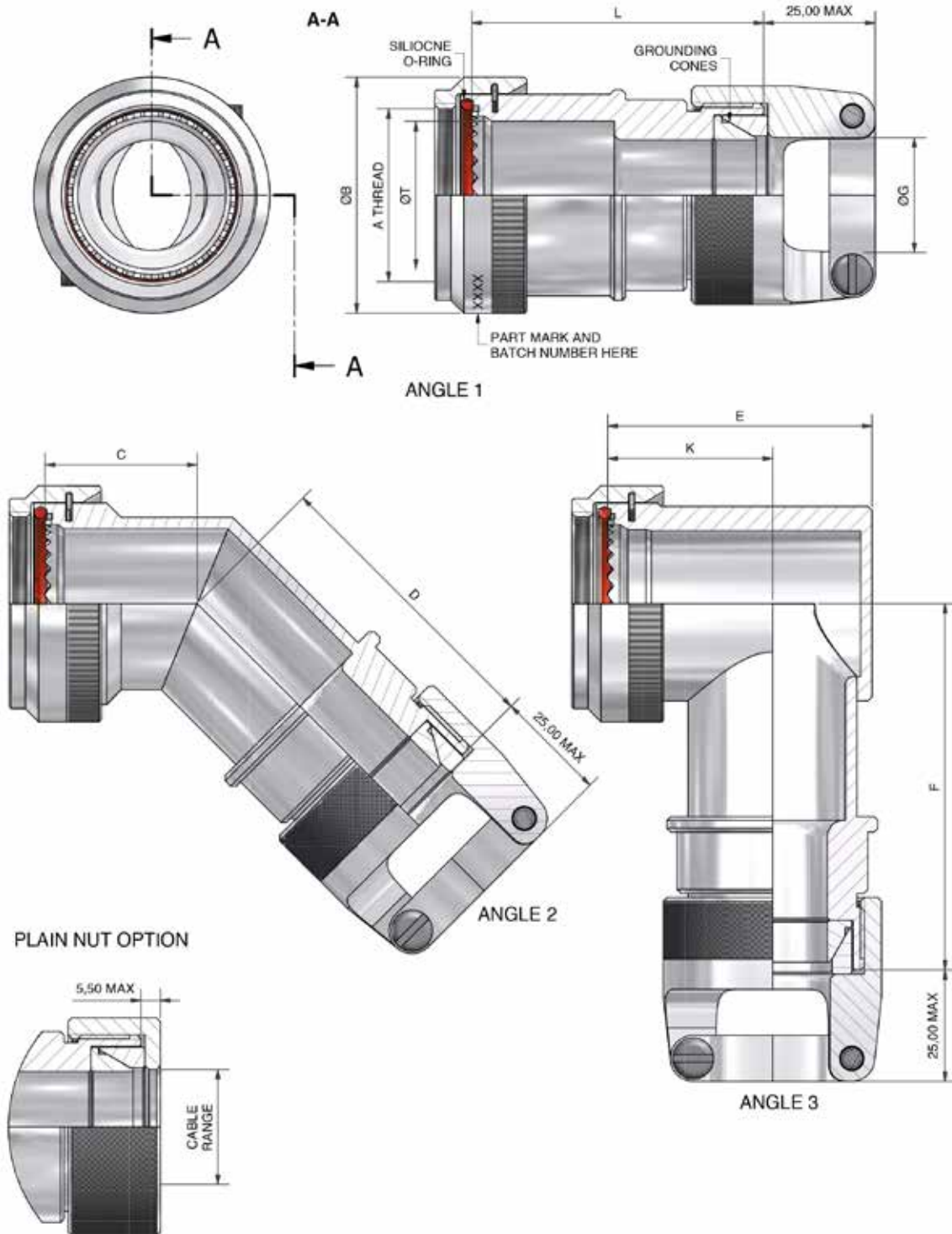
DRAWING NOT TO SCALE, DIMENSIONS IN MM

SEE PAGES 18-26 FOR COMPLETE LIST OF AVAILABLE MATERIALS, FINISHES AND CONNECTOR INTERFACES (DIMENSIONS, FORM AND O RING SUBJECT TO CHANGE DEPENDING ON BACKSHELL MATERIAL AND CONNECTOR INTERFACE)

35F (NE) - Cone Clamp Backshell Non-Environmental Interface F - MIL-DTL-38999 SERIES I



Interconnect Solutions Worldwide



CONE TERMINATION

DRAWING NOT TO SCALE, DIMENSIONS IN MM

SEE PAGES 18-26 FOR COMPLETE LIST OF AVAILABLE MATERIALS, FINISHES AND CONNECTOR INTERFACES
(DIMENSIONS, FORM AND O RING SUBJECT TO CHANGE DEPENDING ON BACKSHELL MATERIAL AND CONNECTOR INTERFACE)

35F (NE) - Cone Clamp Backshell Non-Environmental Interface F - MIL-DTL-38999 SERIES I



Interconnect Solutions Worldwide

TABLE 1

SHELL SIZE	A THREAD	ØB MAX	ØT MIN	MAX ENTRY	C ±0,5	D MAX	E MAX	F MAX	K ±0,5
09	7/16-28UNEF	18,0	6,8	-	16,4	35,8	22,7	36,1	15,0
11	9/16-24UNEF	21,0	10,2	04	17,2	37,3	26,2	39,1	17,0
13	11/16-24UNEF	24,5	13,1	06	17,6	38,9	29,2	39,6	18,0
15	13/16-20UNEF	27,8	16,2	10	18,5	41,1	32,2	41,4	20,0
17	15/16-20UNEF	30,8	19,3	12	19,2	43,9	35,7	48,0	21,5
19	1 1/16-18UNEF	34,1	22,3	12	19,6	48,8	39,7	50,8	23,0
21	1 3/16-18UNEF	37,3	25,8	16	20,4	50,1	42,2	50,8	25,0
23	1 5/16-18UNEF	41,0	28,3	16	20,8	52,6	45,2	50,8	26,0
25	1 7/16-18UNEF	43,7	31,5	16	21,7	54,0	48,2	50,8	28,0

IF MAX ENTRY IS EXCEEDED, ADAPTOR ASSEMBLY IS SUPPLIED AS A STYLE T2 (T2 DOES NOT FEATURE IN THE PART NUMBER) IN WHICH CASE DIMENSIONS C,D,E,F & K DO NOT APPLY AND MIN L IS L3.

TABLE 2

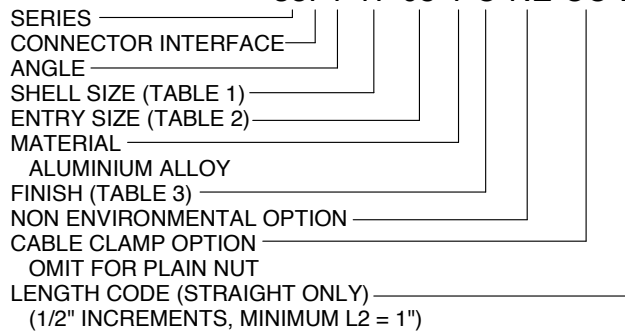
ENTRY SIZE	ØG
04	7,9
06	11,1
08	14,3
10	15,9
12	19,1
16	23,8
20	31,8
24	34,9
28	41,3
32	47,6

TABLE 3

CODE	FINISH
C	ELECTROLESS NICKEL
B	CADMIUM OLIVE DRAB OVER ELECTROLESS NICKEL
ZB	ZINC COBALT OLIVE DRAB OVER ELECTROLESS NICKEL
ZN	ZINC NICKEL BLACK PASSIVATE OVER ELECTROLESS NICKEL

LIST NOT EXHAUSTIVE, SEE PLATING TABLE FOR OTHER OPTIONS

35F1-17-08-1-C-NE-CC-L3



CONE TERMINATION

For tooling and assembly instructions see www.polamco.com

Backshell supplied with Cone(s)

Sealing and strain relief achieved with Heat Shrink Boot for non CC versions (see page 354)

Adhesive if required for assembly (see page 352)

Screenbraid for EMC/RFI screening (see page 350)

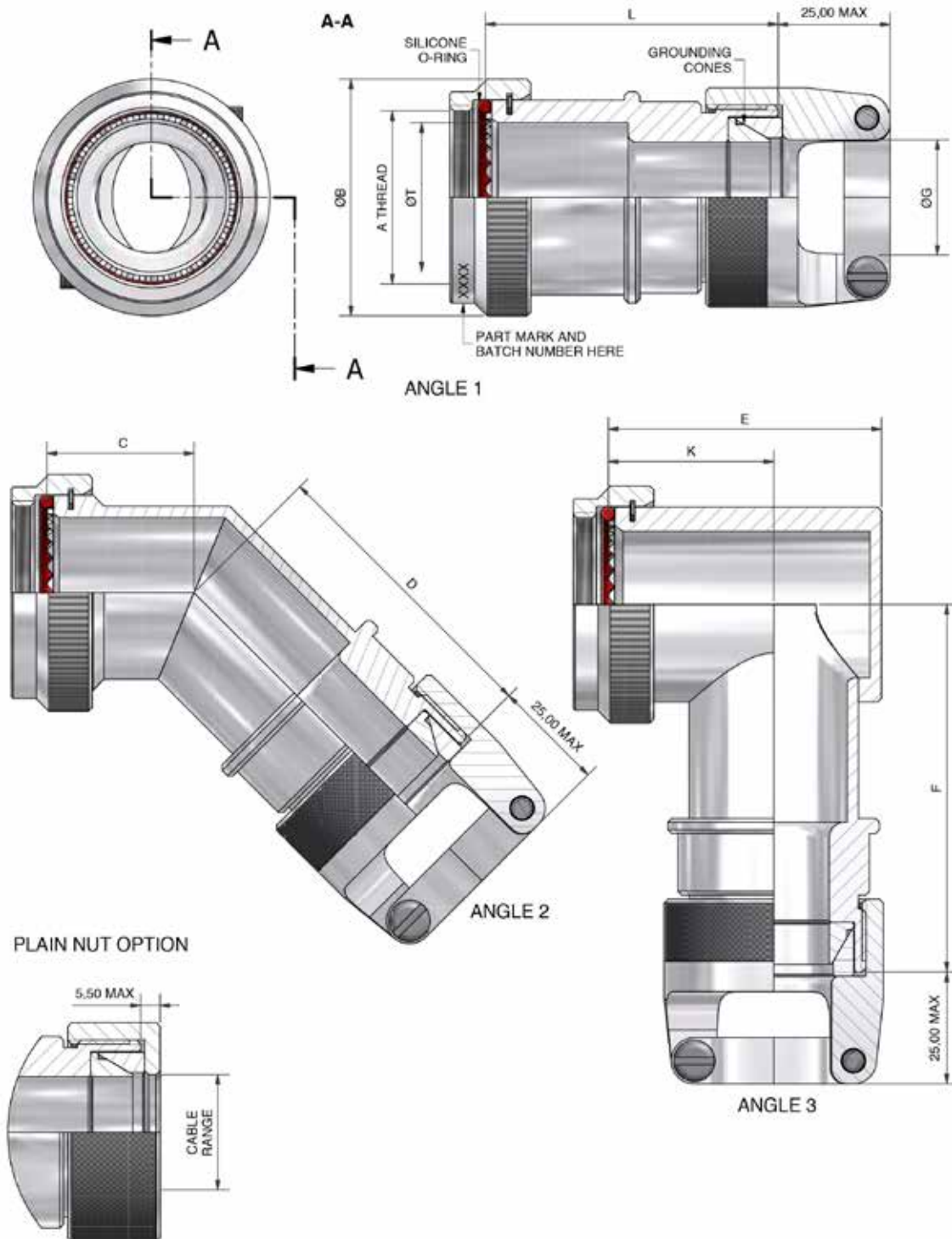
DRAWING NOT TO SCALE, DIMENSIONS IN MM

SEE PAGES 18-26 FOR COMPLETE LIST OF AVAILABLE MATERIALS, FINISHES AND CONNECTOR INTERFACES (DIMENSIONS, FORM AND O RING SUBJECT TO CHANGE DEPENDING ON BACKSHELL MATERIAL AND CONNECTOR INTERFACE)

35F (NE) - Cone Clamp Backshell Non-Environmental Interface F - MIL-DTL-38999 SERIES II



Interconnect Solutions Worldwide



CONE TERMINATION

DRAWING NOT TO SCALE, DIMENSIONS IN MM

SEE PAGES 18-26 FOR COMPLETE LIST OF AVAILABLE MATERIALS, FINISHES AND CONNECTOR INTERFACES
(DIMENSIONS, FORM AND O RING SUBJECT TO CHANGE DEPENDING ON BACKSHELL MATERIAL AND CONNECTOR INTERFACE)

35F (NE) - Cone Clamp Backshell Non-Environmental

Interface F - MIL-DTL-38999 SERIES II



Interconnect Solutions Worldwide

TABLE 1

SHELL SIZE	A THREAD	ØB MAX	ØT MIN	MAX ENTRY	C ±0,5	D MAX	E MAX	F MAX	K ±0,5
08	7/16-28UNEF	18,3	6,6	-	16,4	35,8	22,7	36,1	15,0
10	9/16-24UNEF	21,5	10,1	04	17,2	37,3	26,2	39,1	17,0
12	11/16-24UNEF	24,5	12,9	06	17,6	38,9	29,2	39,6	18,0
14	13/16-20UNEF	27,8	16,1	10	18,5	41,1	32,2	41,4	20,0
16	15/16-20UNEF	30,8	19,3	12	19,2	43,9	35,7	48,0	21,5
18	1 1/16-18UNEF	34,1	21,7	12	19,6	48,8	39,7	50,8	23,0
20	1 3/16-18UNEF	37,3	24,9	16	20,4	50,1	42,2	50,8	25,0
22	1 5/16-18UNEF	40,5	28,1	16	20,8	52,6	45,2	50,8	26,0
24	1 7/16-18UNEF	43,7	31,3	16	21,7	54,0	48,2	50,8	28,0

IF MAX ENTRY IS EXCEEDED, ADAPTOR ASSEMBLY IS SUPPLIED AS A STYLE T2 (T2 DOES NOT FEATURE IN THE PART NUMBER) IN WHICH CASE DIMENSIONS C,D,E,F & K DO NOT APPLY AND MIN L IS L3.

TABLE 2

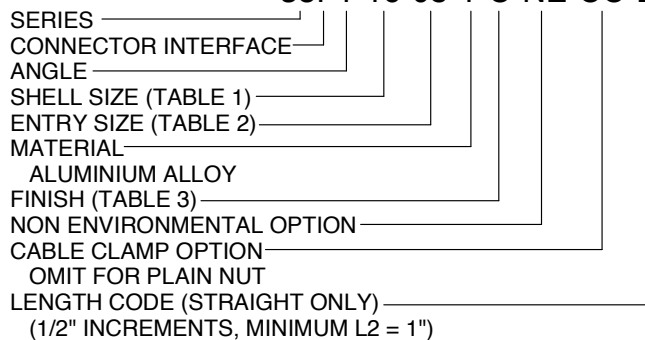
ENTRY SIZE	ØG MIN
04	7,9
06	11,1
08	14,3
10	15,9
12	19,1
16	23,8
20	31,8
24	34,9
28	41,3
32	47,6

TABLE 3

CODE	FINISH
C	ELECTROLESS NICKEL
B	CADMIUM OLIVE DRAB OVER ELECTROLESS NICKEL
ZB	ZINC COBALT OLIVE DRAB OVER ELECTROLESS NICKEL
ZN	ZINC NICKEL BLACK PASSIVATE OVER ELECTROLESS NICKEL

LIST NOT EXHAUSTIVE, SEE PLATING TABLE FOR OTHER OPTIONS

35F1-16-08-1-C-NE-CC-L3



For tooling and assembly instructions see www.polamco.com

Backshell supplied with Cone(s)

Sealing and strain relief achieved with Heat Shrink Boot for non CC versions (see page 354)

Adhesive if required for assembly (see page 352)

Screenbraid for EMC/RFI screening (see page 350)

DRAWING NOT TO SCALE, DIMENSIONS IN MM

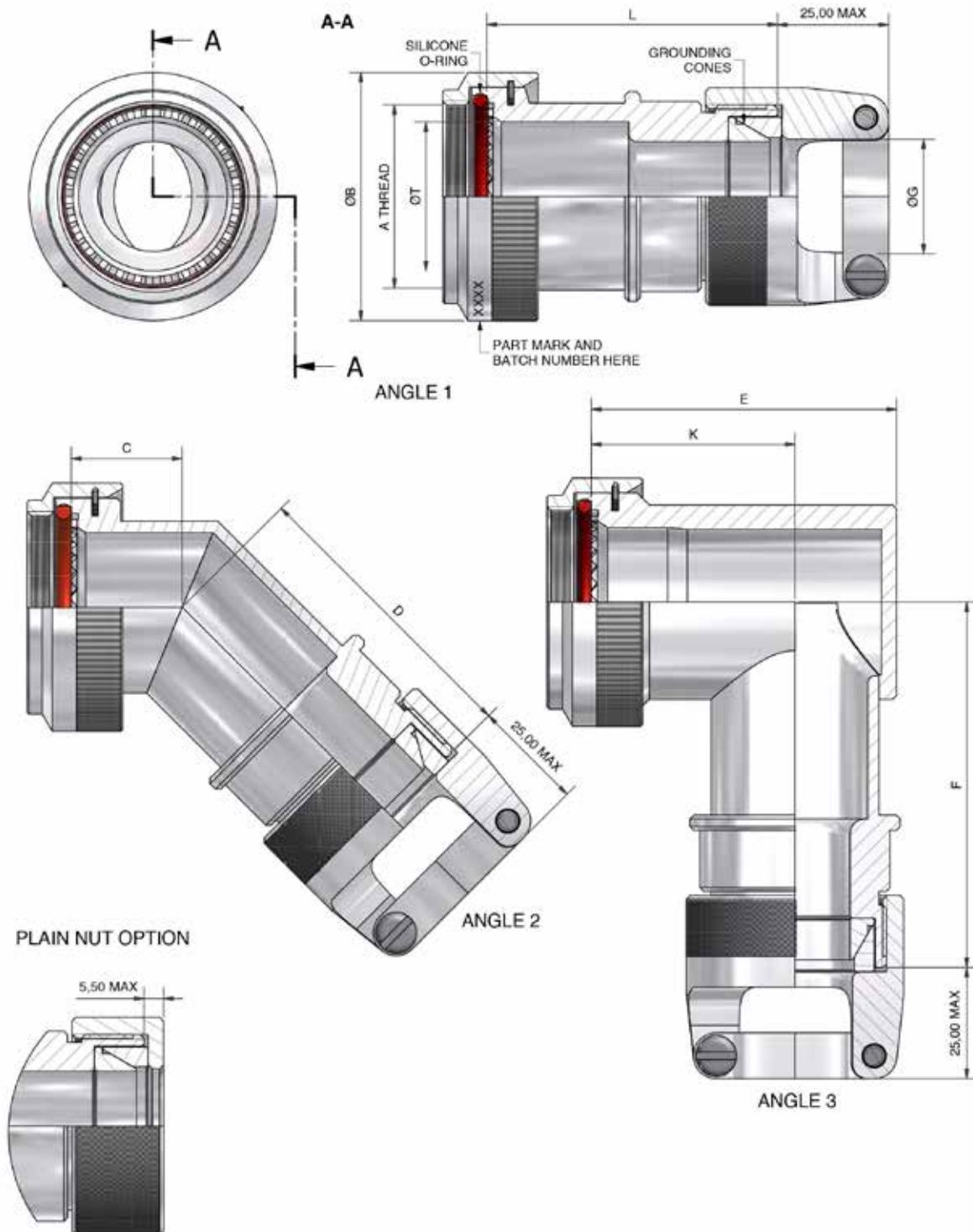
SEE PAGES 18-26 FOR COMPLETE LIST OF AVAILABLE MATERIALS, FINISHES AND CONNECTOR INTERFACES (DIMENSIONS, FORM AND O RING SUBJECT TO CHANGE DEPENDING ON BACKSHELL MATERIAL AND CONNECTOR INTERFACE)

35H (NE) - Cone Clamp Backshell Non-Environmental

Interface H - MIL-DTL-38999 SERIES III & IV



Interconnect Solutions Worldwide



CONE TERMINATION

DRAWING NOT TO SCALE, DIMENSIONS IN MM

SEE PAGES 18-26 FOR COMPLETE LIST OF AVAILABLE MATERIALS, FINISHES AND CONNECTOR INTERFACES
(DIMENSIONS, FORM AND O RING SUBJECT TO CHANGE DEPENDING ON BACKSHELL MATERIAL AND CONNECTOR INTERFACE)

35H (NE) - Cone Clamp Backshell Non-Environmental

Interface H - MIL-DTL-38999 SERIES III & IV



Interconnect Solutions Worldwide

TABLE 1

SHELL SIZE	A THREAD	ØB MAX	ØT MIN	MAX ENTRY	C ±0,5	D MAX	E MAX	F MAX	K ±0,5
09	M12x1.0	18,0	6,7	-	13,1	35,8	25,7	36,1	17,5
11	M15x1.0	21,0	10,2	04	13,9	37,3	26,7	39,1	17,5
13	M18x1.0	24,5	13,5	06	14,5	38,9	31,2	39,6	20,0
15	M22x1.0	29,0	16,2	10	15,5	41,1	37,2	41,4	24,5
17	M25x1.0	32,5	19,4	12	16,1	43,9	40,2	48,0	26,7
19	M28x1.0	35,5	21,8	12	16,8	48,8	44,7	50,8	27,0
21	M31x1.0	37,0	25,1	16	17,1	50,1	49,2	50,8	30,5
23	M34x1.0	40,0	28,2	16	17,7	52,6	51,7	50,8	31,5
25	M37x1.0	43,5	31,4	16	18,4	54,0	53,2	50,8	28,5

IF MAX ENTRY IS EXCEEDED, ADAPTOR ASSEMBLY IS SUPPLIED AS A STYLE T2 (T2 DOES NOT FEATURE IN THE PART NUMBER) IN WHICH CASE DIMENSIONS C,D,E,F & K DO NOT APPLY AND MIN L IS L3.

TABLE 2

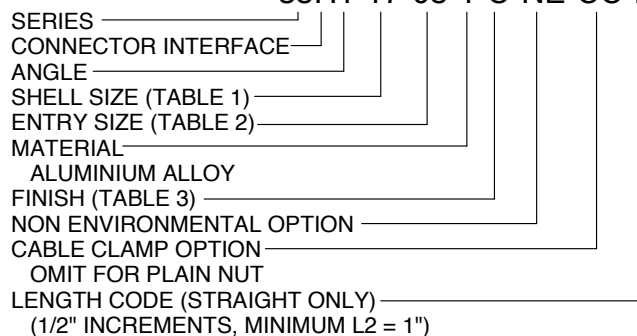
ENTRY SIZE	ØG MIN
04	7,9
06	11,1
08	14,3
10	15,9
12	19,1
16	23,8
20	31,8
24	34,9
28	41,3
32	47,6

TABLE 3

CODE	FINISH
C	ELECTROLESS NICKEL
B	CADMIUM OLIVE DRAB OVER ELECTROLESS NICKEL
ZB	ZINC COBALT OLIVE DRAB OVER ELECTROLESS NICKEL
ZN	ZINC NICKEL BLACK PASSIVATE OVER ELECTROLESS NICKEL

LIST NOT EXHAUSTIVE, SEE PLATING TABLE FOR OTHER OPTIONS

35H1-17-08-1-C-NE-CC-L3



CONE TERMINATION

For tooling and assembly instructions see www.polamco.com

Backshell supplied with Cone(s)

Sealing and strain relief achieved with Heat Shrink Boot for non CC versions (see page 354)

Adhesive if required for assembly (see page 352)

Screenbraid for EMC/RFI screening (see page 350)

DRAWING NOT TO SCALE, DIMENSIONS IN MM

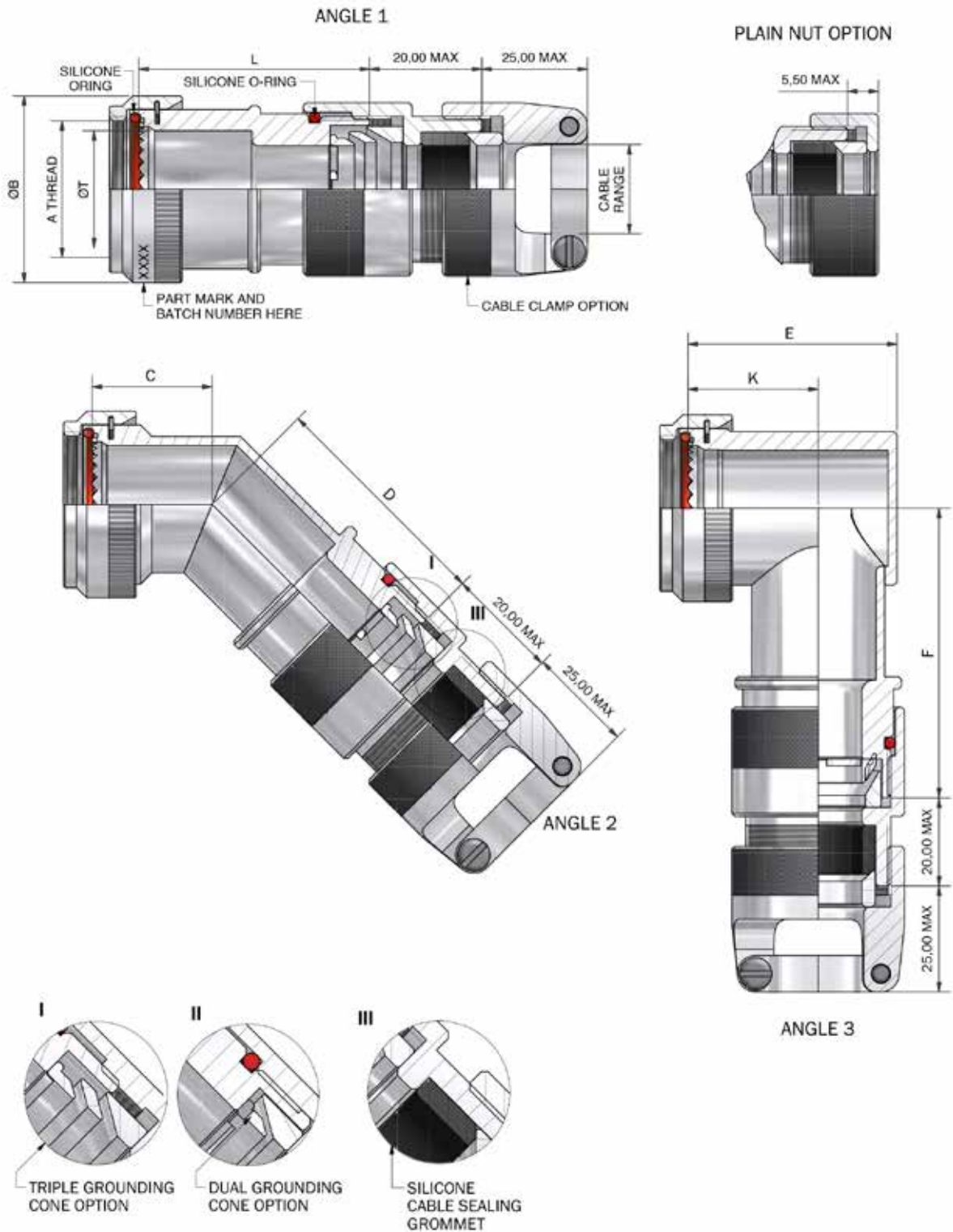
SEE PAGES 18-26 FOR COMPLETE LIST OF AVAILABLE MATERIALS, FINISHES AND CONNECTOR INTERFACES (DIMENSIONS, FORM AND O RING SUBJECT TO CHANGE DEPENDING ON BACKSHELL MATERIAL AND CONNECTOR INTERFACE)

36F - Cone Clamp Cable Sealing Backshell

Interface F - MIL-DTL-38999 SERIES I



Interconnect Solutions Worldwide



CONE TERMINATION

DRAWING NOT TO SCALE, DIMENSIONS IN MM

SEE PAGES 18-26 FOR COMPLETE LIST OF AVAILABLE MATERIALS, FINISHES AND CONNECTOR INTERFACES (DIMENSIONS, FORM AND O RING SUBJECT TO CHANGE DEPENDING ON BACKSHELL MATERIAL AND CONNECTOR INTERFACE)

36F - Cone Clamp Cable Sealing Backshell

Interface F - MIL-DTL-38999 SERIES I



Interconnect Solutions Worldwide

TABLE 1

SHELL SIZE	A THREAD	ØB MAX	ØT MIN	MAX ENTRY	C ±0,5	D MAX	E MAX	F MAX	K ±0,5
09	7/16-28 UNEF	18,0	6,8	-	16,4	35,8	22,7	36,1	15,0
11	9/16-24 UNEF	21,0	10,2	04	17,2	37,3	26,2	39,1	17,0
13	11/16-24 UNEF	24,5	13,1	06	17,6	38,9	29,2	39,6	18,0
15	13/16-20 UNEF	27,8	16,2	10	18,5	41,1	32,2	41,4	20,0
17	15/16-20 UNEF	30,8	19,3	12	19,2	43,9	35,7	48,0	21,5
19	1 1/16-18 UNEF	34,1	22,3	12	19,6	48,8	39,7	50,8	23,0
21	1 3/16-18 UNEF	37,3	25,8	16	20,4	50,1	42,2	50,8	25,0
23	1 5/16-18 UNEF	41,0	28,3	16	20,8	52,6	45,2	50,8	26,0
25	1 7/16-18 UNEF	43,7	31,5	16	21,7	54,0	48,2	50,8	28,0

IF MAX ENTRY IS EXCEEDED, ADAPTOR ASSEMBLY IS SUPPLIED AS STYLE 2 (T2 DOES NOT FEATURE IN THE PART NUMBER) IN WHICH CASE DIMENSIONS C, D, E, F & K DO NOT APPLY AND MIN L IS L3

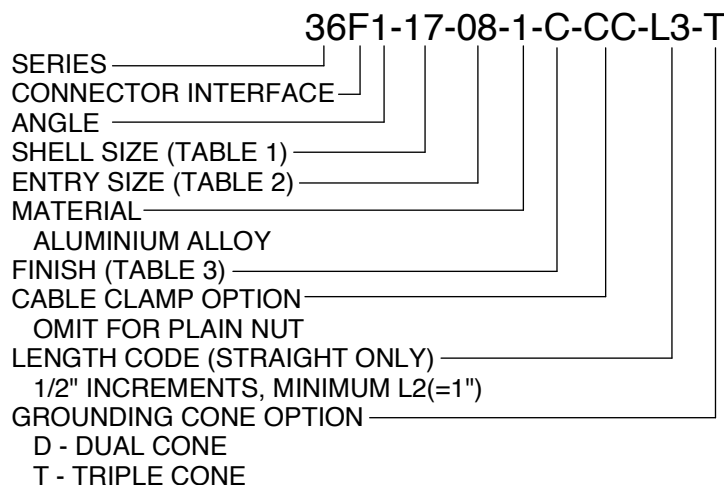
TABLE 2

ENTRY SIZE	CABLE RANGE
04	3,2 - 7,9
06	6,4 - 11,1
08	9,8 - 14,3
10	8,9 - 15,9
12	12,7 - 19,1
16	15,9 - 23,8
20	22,2 - 31,8
24	25,4 - 34,9
28	31,8 - 41,3
32	36,5 - 47,6

TABLE 3

CODE	FINISH
C	ELECTROLESS NICKEL
B	CADMIUM OLIVE DRAB OVER ELECTROLESS NICKEL
ZB	ZINC COBALT OLIVE DRAB OVER ELECTROLESS NICKEL
ZN	ZINC NICKEL BLACK PASSIVATE OVER ELECTROLESS NICKEL

LIST NOT EXHAUSTIVE, SEE PLATING TABLE FOR OTHER OPTIONS



CONE TERMINATION

For tooling and assembly instructions see www.polamco.com

- Backshell supplied with Cone(s)
- Sealing and strain relief achieved with Heat Shrink Boot for non CC versions (see page 354)
- Adhesive if required for assembly (see page 352)
- Screenbraid for EMC/RFI screening (see page 350)

DRAWING NOT TO SCALE, DIMENSIONS IN MM

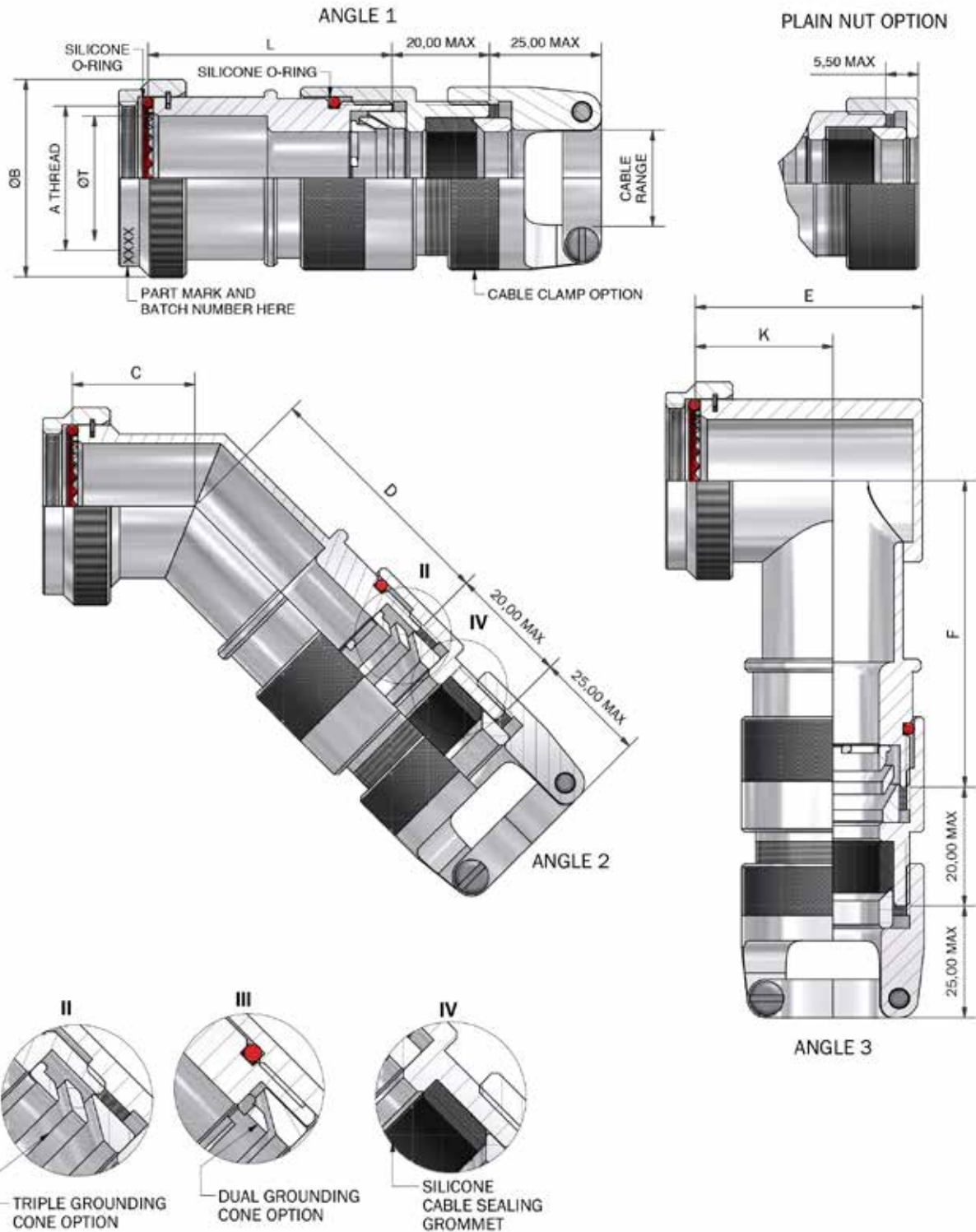
SEE PAGES 18-26 FOR COMPLETE LIST OF AVAILABLE MATERIALS, FINISHES AND CONNECTOR INTERFACES (DIMENSIONS, FORM AND O RING SUBJECT TO CHANGE DEPENDING ON BACKSHELL MATERIAL AND CONNECTOR INTERFACE)

36F - Cone Clamp Cable Sealing Backshell

Interface F - MIL-DTL-38999 SERIES II



Interconnect Solutions Worldwide



DRAWING NOT TO SCALE, DIMENSIONS IN MM

SEE PAGES 18-26 FOR COMPLETE LIST OF AVAILABLE MATERIALS, FINISHES AND CONNECTOR INTERFACES (DIMENSIONS, FORM AND O RING SUBJECT TO CHANGE DEPENDING ON BACKSHELL MATERIAL AND CONNECTOR INTERFACE)

36F - Cone Clamp Cable Sealing Backshell

Interface F - MIL-DTL-38999 SERIES II



Interconnect Solutions Worldwide

TABLE 1

SHELL SIZE	A THREAD	ØB MAX	ØT MIN	MAX ENTRY	C ±0,5	D MAX	E MAX	F MAX	K ±0,5
08	7/16-28 UNEF	18,3	6,6	-	16,4	35,8	22,7	36,1	15,0
10	9/16-24 UNEF	21,5	10,1	04	17,2	37,3	26,2	39,1	17,0
12	11/16-24 UNEF	24,5	12,9	06	17,6	38,9	29,2	39,6	18,0
14	13/16-20 UNEF	27,8	16,1	10	18,5	41,1	32,2	41,4	20,0
16	15/16-20 UNEF	30,8	19,3	12	19,2	43,9	35,7	48,0	21,5
18	1 1/16-18 UNEF	34,1	21,7	12	19,6	48,8	39,7	50,8	23,0
20	1 3/16-18 UNEF	37,3	24,9	16	20,4	50,1	42,2	50,8	25,0
22	1 5/16-18 UNEF	40,5	28,1	16	20,8	52,6	45,2	50,8	26,0
24	1 7/16-18 UNEF	43,7	31,3	16	21,7	54,0	48,2	50,8	28,0

IF MAX ENTRY IS EXCEEDED, ADAPTOR ASSEMBLY IS SUPPLIED AS STYLE 2 (T2 DOES NOT FEATURE IN THE PART NUMBER) IN WHICH CASE DIMENSIONS C, D, E, F & K DO NOT APPLY AND MIN L IS L3

TABLE 2

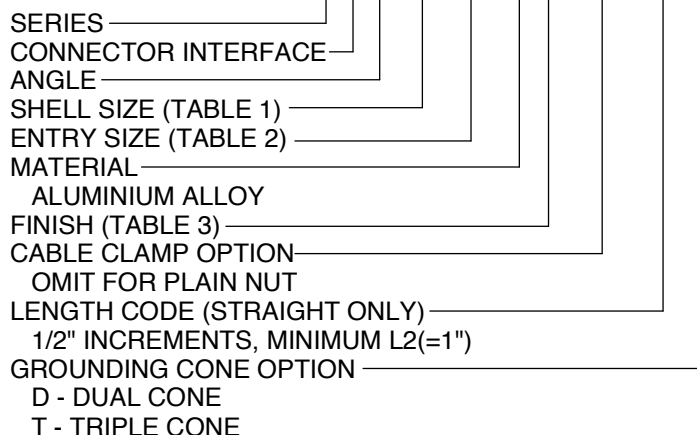
ENTRY SIZE	CABLE RANGE
04	3,2 - 7,9
06	6,4 - 11,1
08	9,8 - 14,3
10	8,9 - 15,9
12	12,7 - 19,1
16	15,9 - 23,8
20	22,2 - 31,8
24	25,4 - 34,9
28	31,8 - 41,3
32	36,5 - 47,6

TABLE 3

CODE	FINISH
C	ELECTROLESS NICKEL
B	CADMIUM OLIVE DRAB OVER ELECTROLESS NICKEL
ZB	ZINC COBALT OLIVE DRAB OVER ELECTROLESS NICKEL
ZN	ZINC NICKEL BLACK PASSIVATE OVER ELECTROLESS NICKEL

LIST NOT EXHAUSTIVE, SEE PLATING TABLE FOR OTHER OPTIONS

36F1-16-08-1-C-CC-L3-T



CONE TERMINATION

For tooling and assembly instructions see www.polamco.com

Backshell supplied with Cone(s)
Sealing and strain relief achieved with Heat Shrink Boot for non CC versions (see page 354)
Adhesive if required for assembly (see page 352)
Screenbraid for EMC/RFI screening (see page 350)

DRAWING NOT TO SCALE, DIMENSIONS IN MM

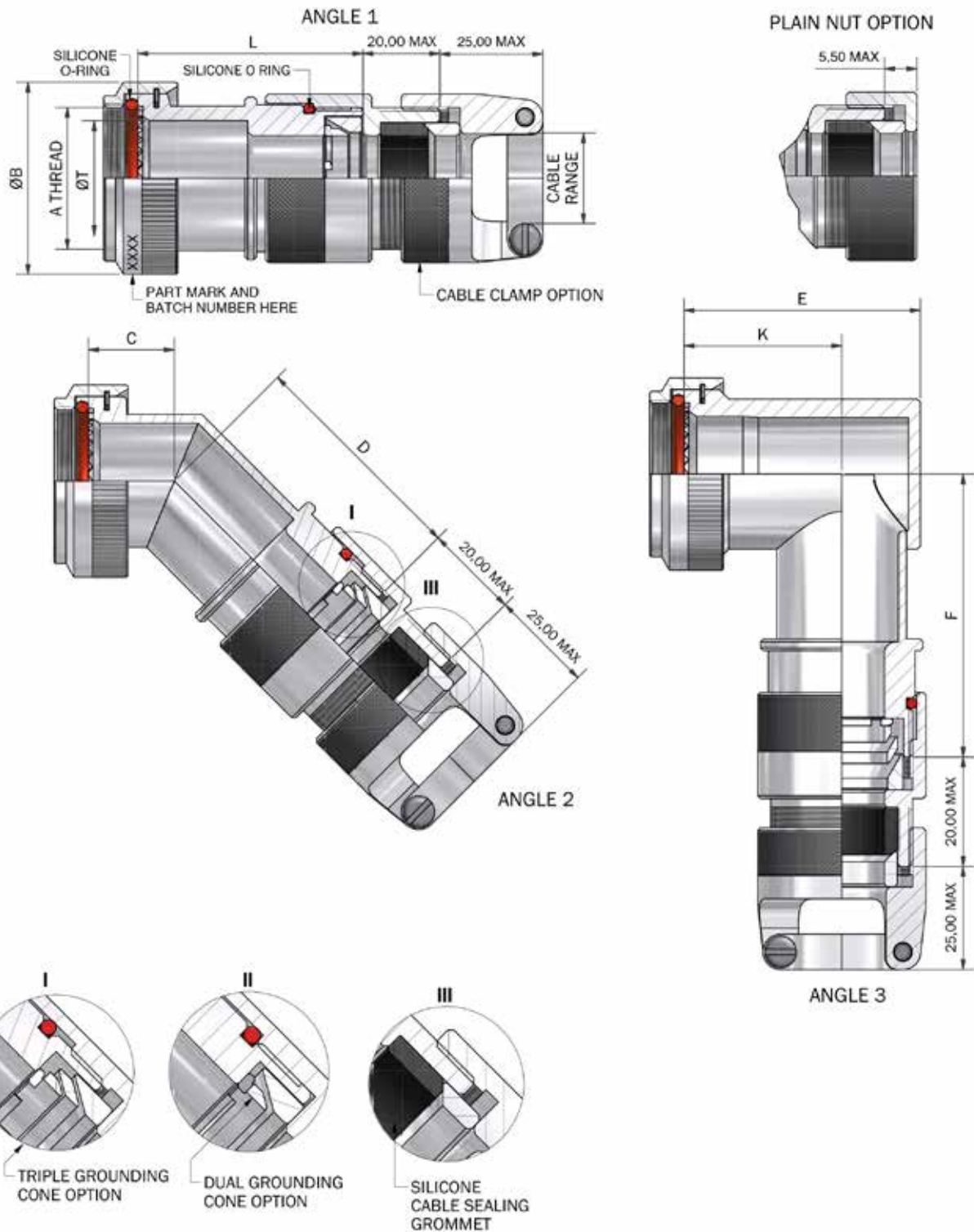
SEE PAGES 18-26 FOR COMPLETE LIST OF AVAILABLE MATERIALS, FINISHES AND CONNECTOR INTERFACES (DIMENSIONS, FORM AND O RING SUBJECT TO CHANGE DEPENDING ON BACKSHELL MATERIAL AND CONNECTOR INTERFACE)

36H - Cone Clamp Cable Sealing Backshell

Interface H - MIL-DTL-38999 SERIES III & IV



Interconnect Solutions Worldwide



DRAWING NOT TO SCALE, DIMENSIONS IN MM

SEE PAGES 18-26 FOR COMPLETE LIST OF AVAILABLE MATERIALS, FINISHES AND CONNECTOR INTERFACES (DIMENSIONS, FORM AND O RING SUBJECT TO CHANGE DEPENDING ON BACKSHELL MATERIAL AND CONNECTOR INTERFACE)

36H - Cone Clamp Cable Sealing Backshell

Interface H - MIL-DTL-38999 SERIES III & IV



Interconnect Solutions Worldwide

TABLE 1

SHELL SIZE	A THREAD	ØB MAX	MAX ENTRY	ØT MIN	C MAX	D MAX	E MAX	F MAX	K ±0,5
09	M12 x 1.0	18,0	-	6,7	13,1	35,8	25,7	36,1	17,5
11	M15 x 1.0	21,0	04	10,2	13,9	37,3	26,7	39,1	17,5
13	M18 x 1.0	24,5	06	13,5	14,5	38,9	31,2	39,6	20,0
15	M22 x 1.0	29,0	10	16,2	15,5	41,1	37,2	41,4	24,5
17	M25 x 1.0	32,5	12	19,4	16,1	43,9	40,2	48,0	26,7
19	M28 x 1.0	35,5	12	21,8	16,8	48,8	44,7	50,8	27,0
21	M31 x 1.0	37,0	16	25,1	17,1	50,1	49,2	50,8	30,5
23	M34 x 1.0	40,0	16	28,2	17,7	52,6	51,7	50,8	31,5
25	M37 x 1.0	43,5	16	31,4	18,4	54,0	53,2	50,8	28,5

IF MAX ENTRY IS EXCEEDED, ADAPTOR ASSEMBLY IS SUPPLIED AS STYLE 2 (T2 DOES NOT FEATURE IN THE PART NUMBER) IN WHICH CASE DIMENSIONS C, D, E, F & K DO NOT APPLY AND MIN L IS L3

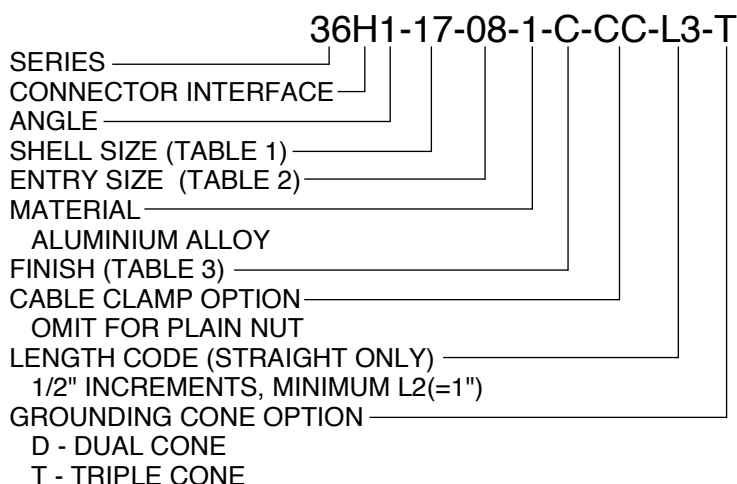
TABLE 2

ENTRY SIZE	CABLE RANGE
04	3,2 - 7,9
06	6,4 - 11,1
08	9,8 - 14,3
10	8,9 - 15,9
12	12,7 - 19,1
16	15,9 - 23,8
20	22,2 - 31,8
24	25,4 - 34,9
28	31,8 - 41,3
32	36,5 - 47,6

TABLE 3

CODE	FINISH
C	ELECTROLESS NICKEL
B	CADMIUM OLIVE DRAB OVER ELECTROLESS NICKEL
ZB	ZINC COBALT OLIVE DRAB OVER ELECTROLESS NICKEL
ZN	ZINC NICKEL BLACK PASSIVATE OVER ELECTROLESS NICKEL

LIST NOT EXHAUSTIVE, SEE PLATING TABLE FOR OTHER OPTIONS



For tooling and assembly instructions see www.polamco.com

Backshell supplied with Cone(s)

Sealing and strain relief achieved with Heat Shrink Boot for non CC versions (see page 354)

Adhesive if required for assembly (see page 352)

Screenbraid for EMC/RFI screening (see page 350)

DRAWING NOT TO SCALE, DIMENSIONS IN MM

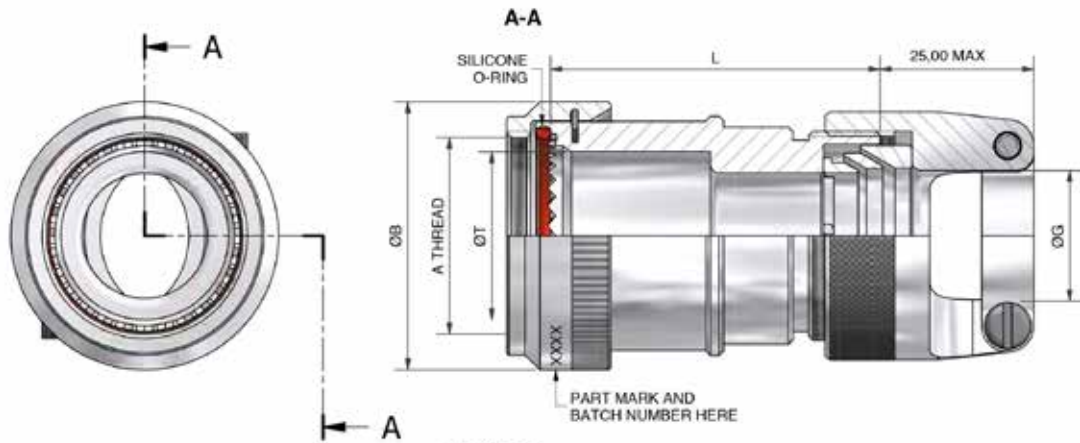
SEE PAGES 18-26 FOR COMPLETE LIST OF AVAILABLE MATERIALS, FINISHES AND CONNECTOR INTERFACES (DIMENSIONS, FORM AND O RING SUBJECT TO CHANGE DEPENDING ON BACKSHELL MATERIAL AND CONNECTOR INTERFACE)

CONE TERMINATION

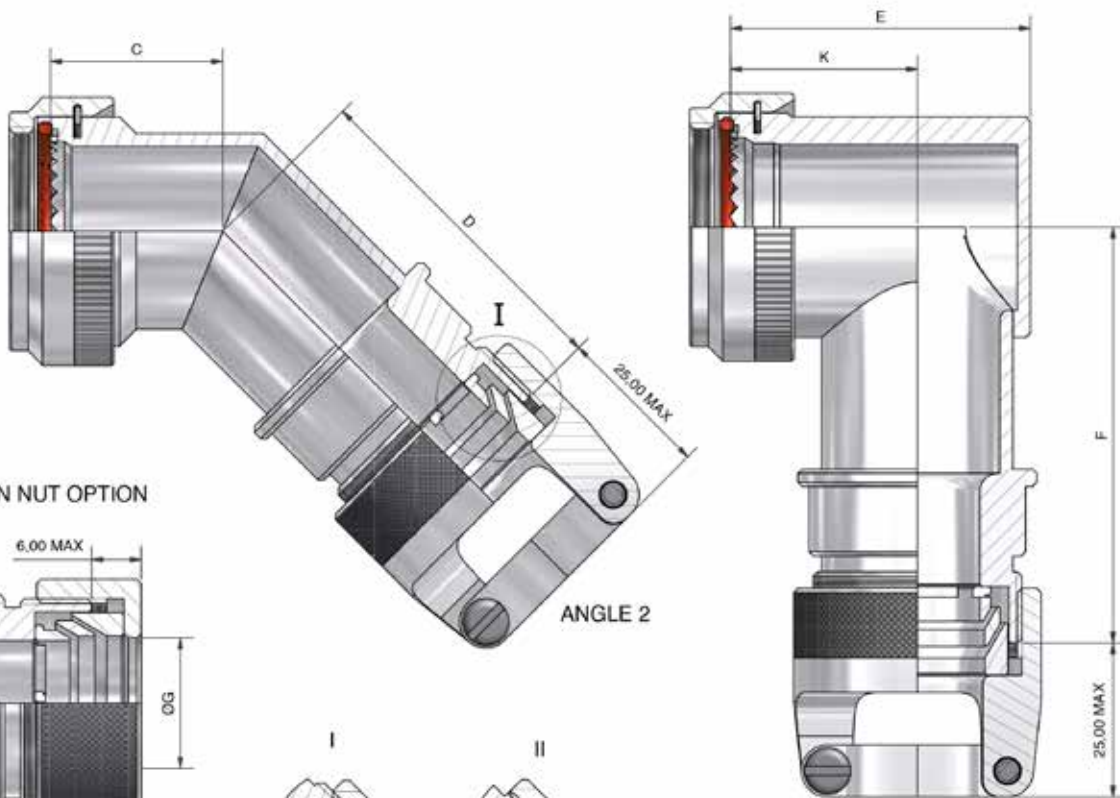
36F (NE) - Cone Clamp Backshell Non-Environmental Interface F - MIL-DTL-38999 SERIES I



Interconnect Solutions Worldwide



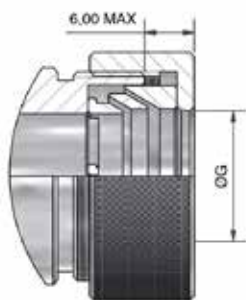
ANGLE 1



ANGLE 2

ANGLE 3

PLAIN NUT OPTION



TRIPLE GROUNDING
CONE OPTION



DUAL GROUNDING
CONE OPTION

DRAWING NOT TO SCALE, DIMENSIONS IN MM

SEE PAGES 18-26 FOR COMPLETE LIST OF AVAILABLE MATERIALS, FINISHES AND CONNECTOR INTERFACES
(DIMENSIONS, FORM AND O RING SUBJECT TO CHANGE DEPENDING ON BACKSHELL MATERIAL AND CONNECTOR INTERFACE)

36F (NE) - Cone Clamp Backshell Non-Environmental Interface F - MIL-DTL-38999 SERIES I



Interconnect Solutions Worldwide

TABLE 1

SHELL SIZE	A THREAD	ØB MAX	ØT MIN	MAX ENTRY	C ±0,5	D MAX	E MAX	F MAX	K ±0,5
09	7/16-28UNEF	18,0	6,8	-	16,4	35,8	22,7	36,1	15,0
11	9/16-24UNEF	21,0	10,2	04	17,2	37,3	26,2	39,1	17,0
13	11/16-24UNEF	24,5	13,1	06	17,6	38,9	29,2	39,6	18,0
15	13/16-20UNEF	27,8	16,2	10	18,5	41,1	32,2	41,4	20,0
17	15/16-20UNEF	30,8	19,3	12	19,2	43,9	35,7	48,0	21,5
19	1 1/16-18UNEF	34,1	22,3	12	19,6	48,8	39,7	50,8	23,0
21	1 3/16-18UNEF	37,3	25,8	16	20,4	50,1	42,2	50,8	25,0
23	1 5/16-18UNEF	41,0	28,3	16	20,8	52,6	45,2	50,8	26,0
25	1 7/16-18UNEF	43,7	31,5	16	21,7	54,0	48,2	50,8	28,0

IF MAX ENTRY IS EXCEEDED, ADAPTOR ASSEMBLY IS SUPPLIED AS STYLE T2 (T2 DOES NOT FEATURE IN THE PART NUMBER) IN WHICH CASE DIMENSIONS: C, D, E, F & K DO NOT APPLY AND MIN L IS L3.

TABLE 2

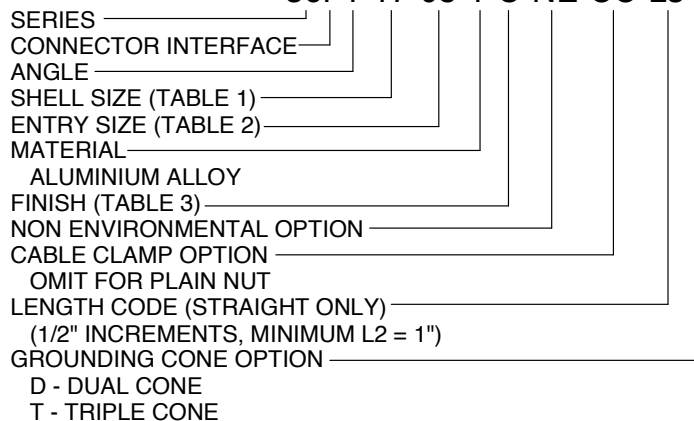
ENTRY SIZE	ØG MIN
04	7,9
06	11,1
08	14,3
10	15,9
12	19,1
16	23,8
20	31,8
24	34,9
28	41,3
32	47,6

TABLE 3

CODE	FINISH
C	ELECTROLESS NICKEL
B	CADMIUM OLIVE DRAB OVER ELECTROLESS NICKEL
ZB	ZINC COBALT OLIVE DRAB OVER ELECTROLESS NICKEL
ZN	ZINC NICKEL BLACK PASSIVATE OVER ELECTROLESS NICKEL

LIST NOT EXHAUSTIVE, SEE PLATING TABLE FOR OTHER OPTIONS

36F1-17-08-1-C-NE-CC-L3-T



CONE TERMINATION

For tooling and assembly instructions see www.polamco.com

Backshell supplied with Cone(s)
Sealing and strain relief achieved with Heat Shrink Boot for non CC versions (see page 354)
Adhesive if required for assembly (see page 352)
Screenbraid for EMC/RFI screening (see page 350)

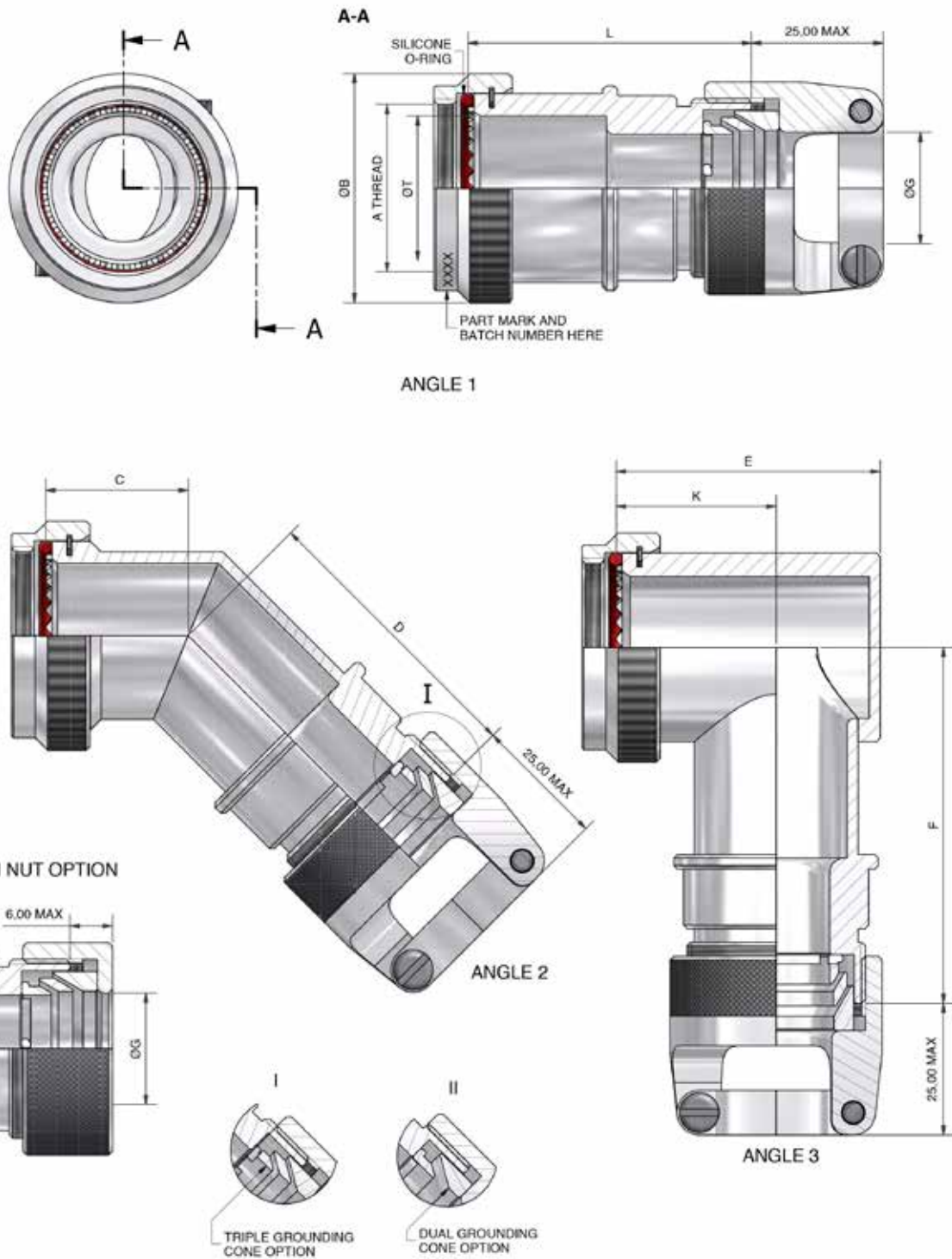
DRAWING NOT TO SCALE, DIMENSIONS IN MM

SEE PAGES 18-26 FOR COMPLETE LIST OF AVAILABLE MATERIALS, FINISHES AND CONNECTOR INTERFACES (DIMENSIONS, FORM AND O RING SUBJECT TO CHANGE DEPENDING ON BACKSHELL MATERIAL AND CONNECTOR INTERFACE)

36F (NE) - Cone Clamp Backshell Non-Environmental Interface F - MIL-DTL-38999 SERIES II



Interconnect Solutions Worldwide



CONE TERMINATION

DRAWING NOT TO SCALE, DIMENSIONS IN MM

SEE PAGES 18-26 FOR COMPLETE LIST OF AVAILABLE MATERIALS, FINISHES AND CONNECTOR INTERFACES
(DIMENSIONS, FORM AND O RING SUBJECT TO CHANGE DEPENDING ON BACKSHELL MATERIAL AND CONNECTOR INTERFACE)

36F (NE) - Cone Clamp Backshell Non-Environmental Interface F - MIL-DTL-38999 SERIES II



Interconnect Solutions Worldwide

TABLE 1

SHELL SIZE	A THREAD	ØB MAX	ØT MIN	MAX ENTRY	C ±0,5	D MAX	E MAX	F MAX	K ±0,5
08	7/16-28UNEF	18,3	6,6	-	16,4	35,8	22,7	36,1	15,0
10	9/16-24UNEF	21,5	10,1	04	17,2	37,3	26,2	39,1	17,0
12	11/16-24UNEF	24,5	12,9	06	17,6	38,9	29,2	39,6	18,0
14	13/16-20UNEF	27,8	16,1	10	18,5	41,1	32,2	41,4	20,0
16	15/16-20UNEF	30,8	19,3	12	19,2	43,9	35,7	48,0	21,5
18	1 1/16-18UNEF	34,1	21,7	12	19,6	48,8	39,7	50,8	23,0
20	1 3/16-18UNEF	37,3	24,9	16	20,4	50,1	42,2	50,8	25,0
22	1 5/16-18UNEF	40,5	28,1	16	20,8	52,6	45,2	50,8	26,0
24	1 7/16-18UNEF	43,7	31,3	16	21,7	54,0	48,2	50,8	28,0

IF MAX ENTRY IS EXCEEDED, ADAPTOR ASSEMBLY IS SUPPLIED AS STYLE T2 (T2 DOES NOT FEATURE IN THE PART NUMBER) IN WHICH CASE SIMENSIONS: C, D, E, F & K DO NOT APPLY AND MIN L IS L3.

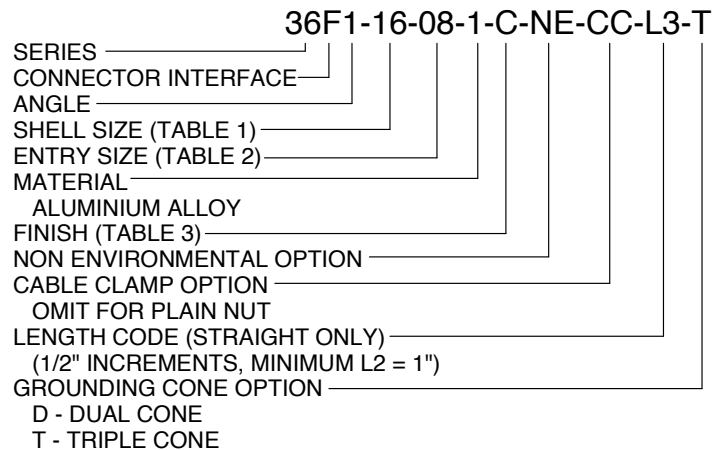
TABLE 2

ENTRY SIZE	ØG MIN
04	7,9
06	11,1
08	14,3
10	15,9
12	19,1
16	23,8
20	31,8
24	34,9
28	41,3
32	47,6

TABLE 3

CODE	FINISH
C	ELECTROLESS NICKEL
B	CADMIUM OLIVE DRAB OVER ELECTROLESS NICKEL
ZB	ZINC COBALT OLIVE DRAB OVER ELECTROLESS NICKEL
ZN	ZINC NICKEL BLACK PASSIVATE OVER ELECTROLESS NICKEL

LIST NOT EXHAUSTIVE, SEE PLATING TABLE FOR OTHER OPTIONS



CONE TERMINATION

For tooling and assembly instructions see www.polamco.com

Backshell supplied with Cone(s)
Sealing and strain relief achieved with Heat Shrink Boot for non CC versions (see page 354)
Adhesive if required for assembly (see page 352)
Screenbraid for EMC/RFI screening (see page 350)

DRAWING NOT TO SCALE, DIMENSIONS IN MM

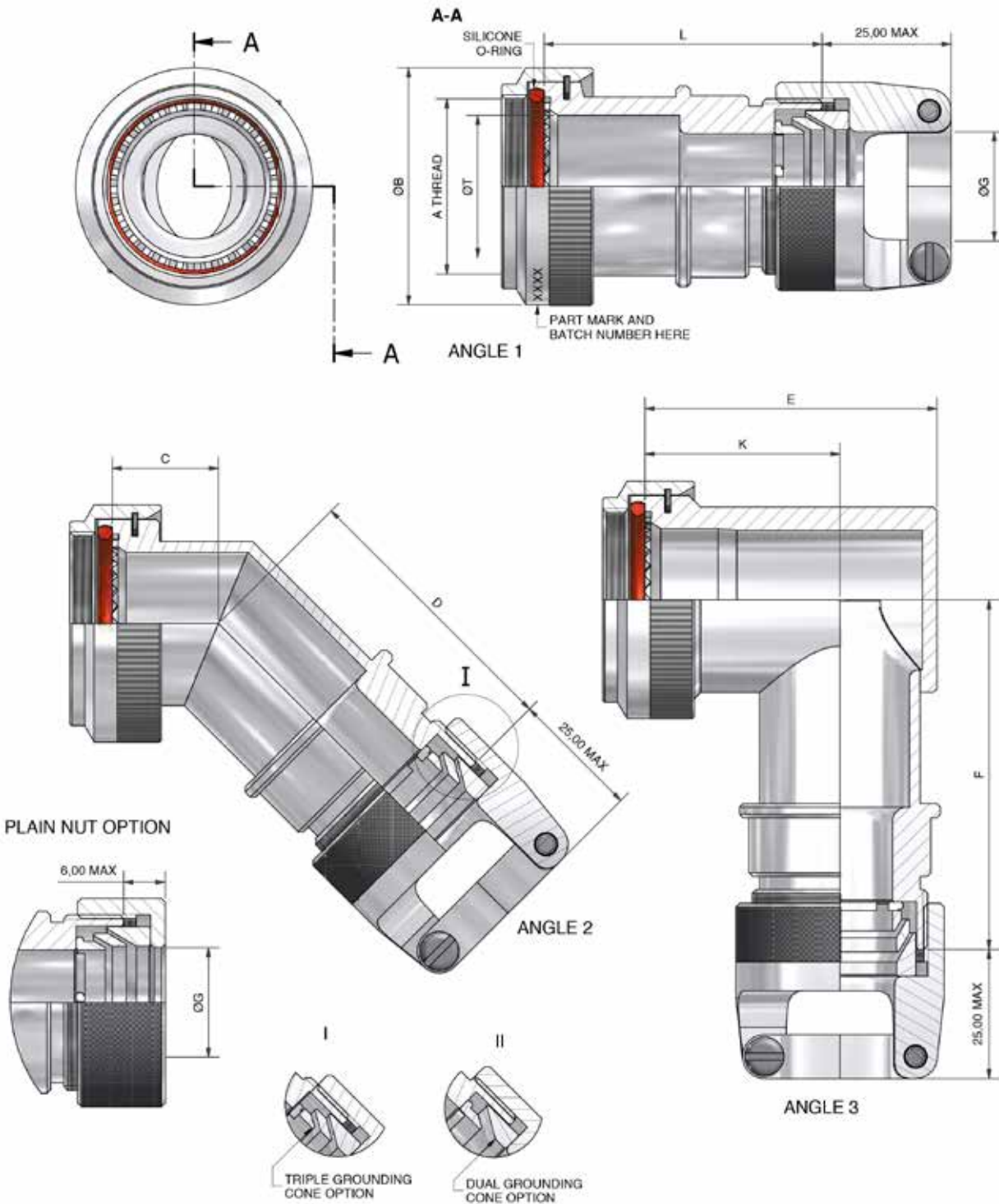
SEE PAGES 18-26 FOR COMPLETE LIST OF AVAILABLE MATERIALS, FINISHES AND CONNECTOR INTERFACES
(DIMENSIONS, FORM AND O RING SUBJECT TO CHANGE DEPENDING ON BACKSHELL MATERIAL AND CONNECTOR INTERFACE)

36H (NE) - Cone Clamp Backshell Non-Environmental

Interface H - MIL-DTL-38999 SERIES III & IV



Interconnect Solutions Worldwide



DRAWING NOT TO SCALE, DIMENSIONS IN MM

SEE PAGES 18-26 FOR COMPLETE LIST OF AVAILABLE MATERIALS, FINISHES AND CONNECTOR INTERFACES (DIMENSIONS, FORM AND O RING SUBJECT TO CHANGE DEPENDING ON BACKSHELL MATERIAL AND CONNECTOR INTERFACE)

36H (NE) - Cone Clamp Backshell Non-Environmental

Interface H - MIL-DTL-38999 SERIES III & IV



Interconnect Solutions Worldwide

TABLE 1

SHELL SIZE	A THREAD	ØB MAX	ØT MIN	MAX ENTRY	C ±0,5	D MAX	E MAX	F MAX	K ±0,5
09	M12x1.0	18,0	6,7	-	13,1	35,8	25,7	36,1	17,5
11	M15x1.0	21,0	10,2	04	13,9	37,3	26,7	39,1	17,5
13	M18x1.0	24,5	13,5	06	14,5	38,9	31,2	39,6	20,0
15	M22x1.0	29,0	16,2	10	15,5	41,1	37,2	41,4	24,5
17	M25x1.0	32,5	19,4	12	16,1	43,9	40,2	48,0	26,7
19	M28x1.0	35,5	21,8	12	16,8	48,8	44,7	50,8	27,0
21	M31x1.0	37,0	25,1	16	17,1	50,1	49,2	50,8	30,5
23	M34x1.0	40,0	28,2	16	17,7	52,6	51,7	50,8	31,5
25	M37x1.0	43,5	31,4	16	18,4	54,0	53,2	50,8	28,5

IF MAX ENTRY IS EXCEEDED, ADAPTOR ASSEMBLY IS SUPPLIED AS STYLE T2 (T2 DOES NOT FEATURE IN THE PART NUMBER) IN WHICH CASE DIMENSIONS: C, D, E, F & K DO NOT APPLY AND MIN L IS L3.

TABLE 2

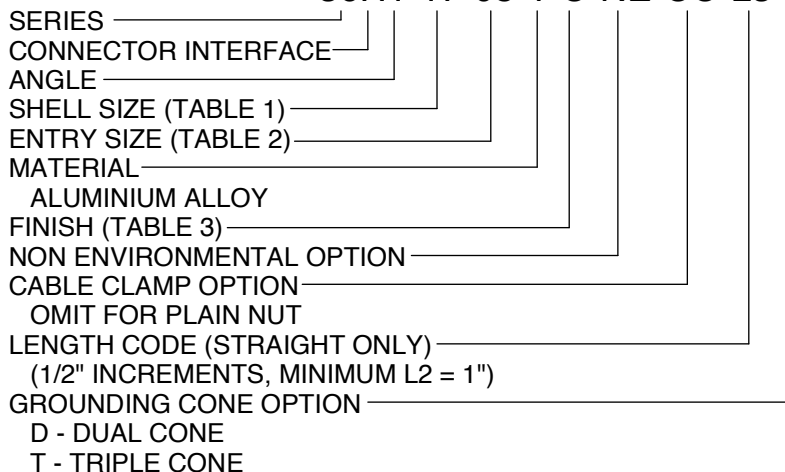
ENTRY SIZE	ØG MIN
04	7,9
06	11,1
08	14,3
10	15,9
12	19,1
16	23,8
20	31,8
24	34,9
28	41,3
32	47,6

TABLE 3

CODE	FINISH
C	ELECTROLESS NICKEL
B	CADMIUM OLIVE DRAB OVER ELECTROLESS NICKEL
ZB	ZINC COBALT OLIVE DRAB OVER ELECTROLESS NICKEL
ZN	ZINC NICKEL BLACK PASSIVATE OVER ELECTROLESS NICKEL

LIST NOT EXHAUSTIVE, SEE PLATING TABLE FOR OTHER OPTIONS

36H1-17-08-1-C-NE-CC-L3-T



CONE TERMINATION

For tooling and assembly instructions see www.polamco.com

Backshell supplied with Cone(s)

Sealing and strain relief achieved with Heat Shrink Boot for non CC versions (see page 354)

Adhesive if required for assembly (see page 352)

Screenbraid for EMC/RFI screening (see page 350)

DRAWING NOT TO SCALE, DIMENSIONS IN MM

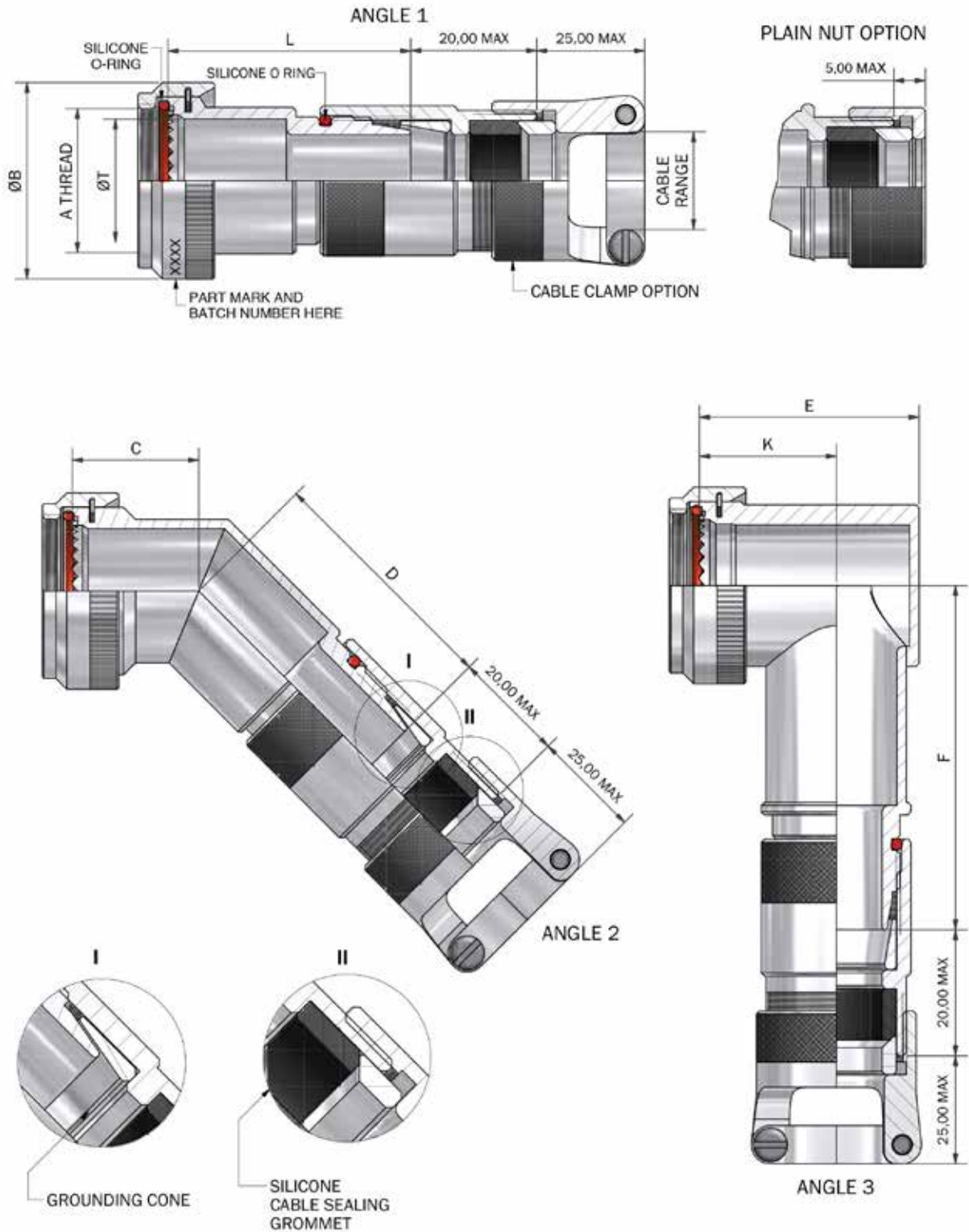
SEE PAGES 18-26 FOR COMPLETE LIST OF AVAILABLE MATERIALS, FINISHES AND CONNECTOR INTERFACES (DIMENSIONS, FORM AND O RING SUBJECT TO CHANGE DEPENDING ON BACKSHELL MATERIAL AND CONNECTOR INTERFACE)

39F - Cone Clamp Cable Sealing Backshell

Interface F - MIL-DTL-38999 SERIES I



Interconnect Solutions Worldwide



DRAWING NOT TO SCALE, DIMENSIONS IN MM

SEE PAGES 18-26 FOR COMPLETE LIST OF AVAILABLE MATERIALS, FINISHES AND CONNECTOR INTERFACES (DIMENSIONS, FORM AND O RING SUBJECT TO CHANGE DEPENDING ON BACKSHELL MATERIAL AND CONNECTOR INTERFACE)

39F - Cone Clamp Cable Sealing Backshell

Interface F - MIL-DTL-38999 SERIES I



Interconnect Solutions Worldwide

TABLE 1

SHELL SIZE	A THREAD	ØB MAX	ØT MIN	MAX ENTRY	C ±0,5	D MAX	E MAX	F MAX	K ±0,5
09	7/16-28 UNEF	18,0	6,8	-	16,4	30,5	22,7	39,2	15,0
11	9/16-24 UNEF	21,0	10,2	04	17,2	30,5	26,2	42,3	17,0
13	11/16-24 UNEF	24,5	13,1	06	17,6	32,5	29,2	42,8	18,0
15	13/16-20 UNEF	27,8	16,2	10	18,5	40,3	32,2	50,5	20,0
17	15/16-20 UNEF	30,8	19,3	12	19,2	43,1	35,7	52,8	21,5
19	1 1/16-18 UNEF	34,1	22,3	12	19,6	47,9	39,7	57,1	23,0
21	1 3/16-18 UNEF	37,3	25,8	16	20,4	47,9	42,2	57,1	25,0
23	1 5/16-18 UNEF	41,0	28,3	16	20,8	56,5	45,2	64,7	26,0
25	1 7/16-18 UNEF	43,7	31,5	16	21,7	56,5	48,2	64,7	28,0

IF MAX ENTRY IS EXCEEDED, ADAPTOR ASSEMBLY IS SUPPLIED AS STYLE 2 (T2 DOES NOT FEATURE IN THE PART NUMBER) IN WHICH CASE DIMENSIONS C, D, E, F & K DO NOT APPLY AND MIN L IS L3

TABLE 2

ENTRY SIZE	CABLE RANGE
04	3,2 - 7,9
06	6,4 - 11,1
08	9,8 - 14,3
10	8,9 - 15,9
12	12,7 - 19,1
16	15,9 - 23,8
20	22,2 - 31,8
24	25,4 - 34,9
28	31,8 - 41,3
32	36,5 - 47,6

TABLE 3

CODE	FINISH
C	ELECTROLESS NICKEL
B	CADMIUM OLIVE DRAB OVER ELECTROLESS NICKEL
ZB	ZINC COBALT OLIVE DRAB OVER ELECTROLESS NICKEL
ZN	ZINC NICKEL BLACK PASSIVATE OVER ELECTROLESS NICKEL

LIST NOT EXHAUSTIVE, SEE PLATING TABLE FOR OTHER OPTIONS

39F1-17-08-1-C-CC-L3

SERIES _____
 CONNECTOR INTERFACE _____
 ANGLE _____
 SHELL SIZE (TABLE 1) _____
 ENTRY SIZE (TABLE 2) _____
 MATERIAL _____
 ALUMINIUM ALLOY
 FINISH (TABLE 3) _____
 CABLE CLAMP OPTION _____
 OMIT FOR PLAIN NUT
 LENGTH CODE (STRAIGHT ONLY) _____
 1/2" INCREMENTS, MINIMUM L2(=1")

CONE TERMINATION

For tooling and assembly instructions see www.polamco.com

Backshell supplied with Cone(s)

Sealing and strain relief achieved with Heat Shrink Boot for non CC versions (see page 354)

Adhesive if required for assembly (see page 352)

Screenbraid for EMC/RFI screening (see page 350)

DRAWING NOT TO SCALE, DIMENSIONS IN MM

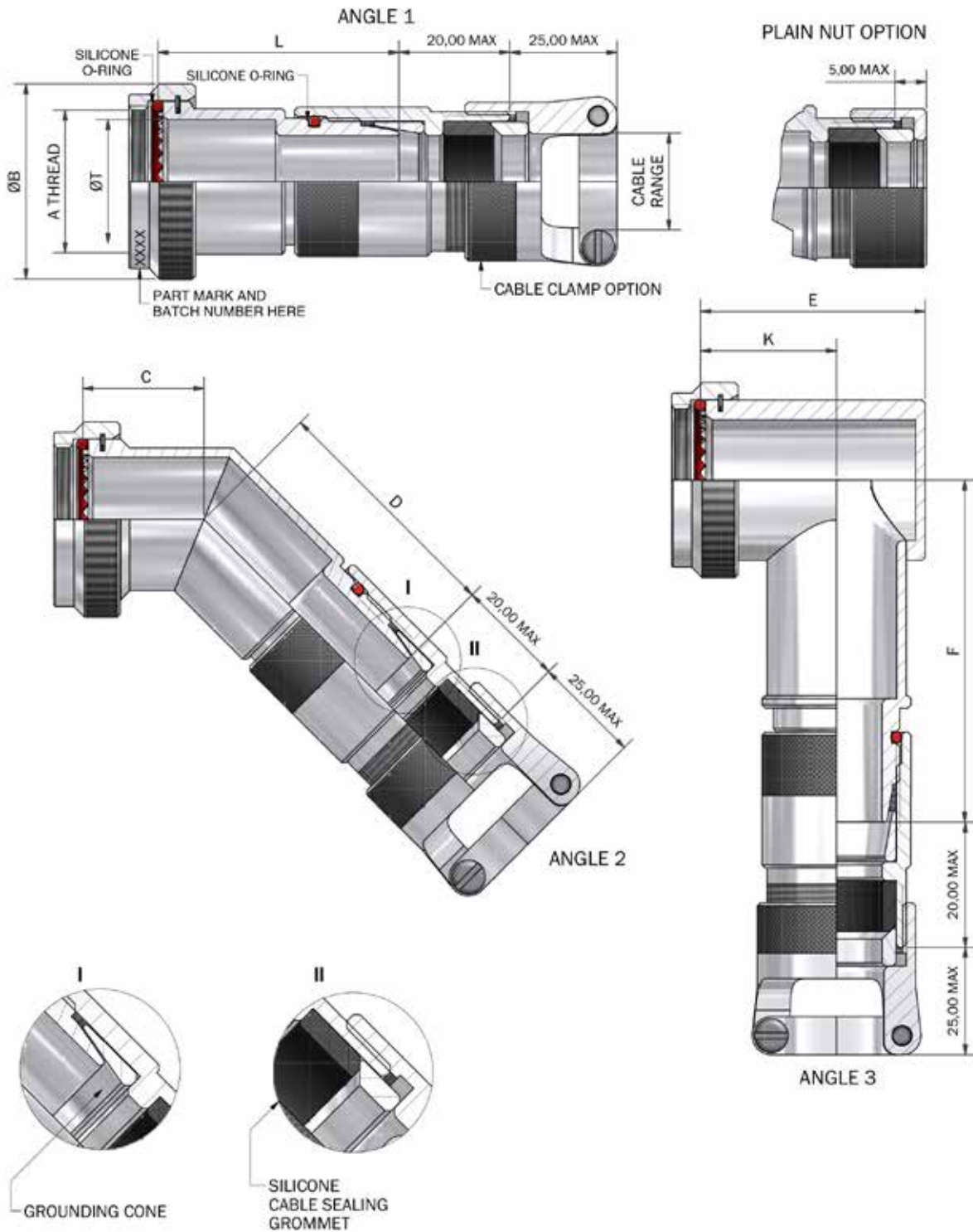
SEE PAGES 18-26 FOR COMPLETE LIST OF AVAILABLE MATERIALS, FINISHES AND CONNECTOR INTERFACES (DIMENSIONS, FORM AND O RING SUBJECT TO CHANGE DEPENDING ON BACKSHELL MATERIAL AND CONNECTOR INTERFACE)

39F - Cone Clamp Cable Sealing Backshell

Interface F - MIL-DTL-38999 SERIES II



Interconnect Solutions Worldwide



DRAWING NOT TO SCALE, DIMENSIONS IN MM

SEE PAGES 18-26 FOR COMPLETE LIST OF AVAILABLE MATERIALS, FINISHES AND CONNECTOR INTERFACES (DIMENSIONS, FORM AND O RING SUBJECT TO CHANGE DEPENDING ON BACKSHELL MATERIAL AND CONNECTOR INTERFACE)

39F - Cone Clamp Cable Sealing Backshell

Interface F - MIL-DTL-38999 SERIES II



Interconnect Solutions Worldwide

TABLE 1

SHELL SIZE	A THREAD	ØB MAX	ØT MIN	MAX ENTRY	C ±0,5	D MAX	E MAX	F MAX	K ±0,5
08	7/16-28 UNEF	18,3	6,6	-	16,4	30,5	22,7	39,2	15,0
10	9/16-24 UNEF	21,5	10,1	04	17,2	30,5	26,2	42,3	17,0
12	11/16-24 UNEF	24,5	12,9	06	17,6	32,5	29,2	42,8	18,0
14	13/16-20 UNEF	27,8	16,1	10	18,5	40,3	32,2	50,5	20,0
16	15/16-20 UNEF	30,8	19,3	12	19,2	43,1	35,7	52,8	21,5
18	1 1/16-18 UNEF	34,1	21,7	12	19,6	47,9	39,7	57,1	23,0
20	1 3/16-18 UNEF	37,3	24,9	16	20,4	47,9	42,2	57,1	25,0
22	1 5/16-18 UNEF	40,5	28,1	16	20,8	56,5	45,2	64,7	26,0
24	1 7/16-18 UNEF	43,7	31,3	16	21,7	56,5	48,2	64,7	28,0

IF MAX ENTRY IS EXCEEDED, ADAPTOR ASSEMBLY IS SUPPLIED AS STYLE 2 (T2 DOES NOT FEATURE IN THE PART NUMBER) IN WHICH CASE DIMENSIONS C, D, E, F & K DO NOT APPLY AND MIN L IS L3

TABLE 2

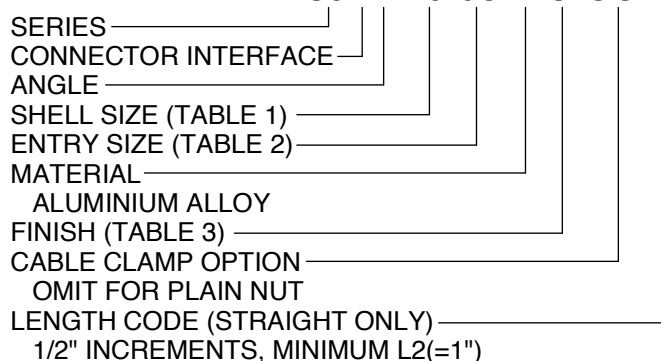
ENTRY SIZE	CABLE RANGE
04	3,2 - 7,9
06	6,4 - 11,1
08	9,8 - 14,3
08X	7,9 - 14,3
10	8,9 - 15,9
12	12,7 - 19,1
16	15,9 - 23,8
20	22,2 - 31,8
24	25,4 - 34,9
28	31,8 - 41,3
32	36,5 - 47,6

TABLE 3

CODE	FINISH
C	ELECTROLESS NICKEL
B	CADMIUM OLIVE DRAB OVER ELECTROLESS NICKEL
ZB	ZINC COBALT OLIVE DRAB OVER ELECTROLESS NICKEL
ZN	ZINC NICKEL BLACK PASSIVATE OVER ELECTROLESS NICKEL

LIST NOT EXHAUSTIVE, SEE PLATING TABLE FOR OTHER OPTIONS

39F1-16-08-1-C-CC-L3



CONE TERMINATION

For tooling and assembly instructions see www.polamco.com

- Backshell supplied with Cone(s)
- Sealing and strain relief achieved with Heat Shrink Boot for non CC versions (see page 354)
- Adhesive if required for assembly (see page 352)
- Screenbraid for EMC/RFI screening (see page 350)

DRAWING NOT TO SCALE, DIMENSIONS IN MM

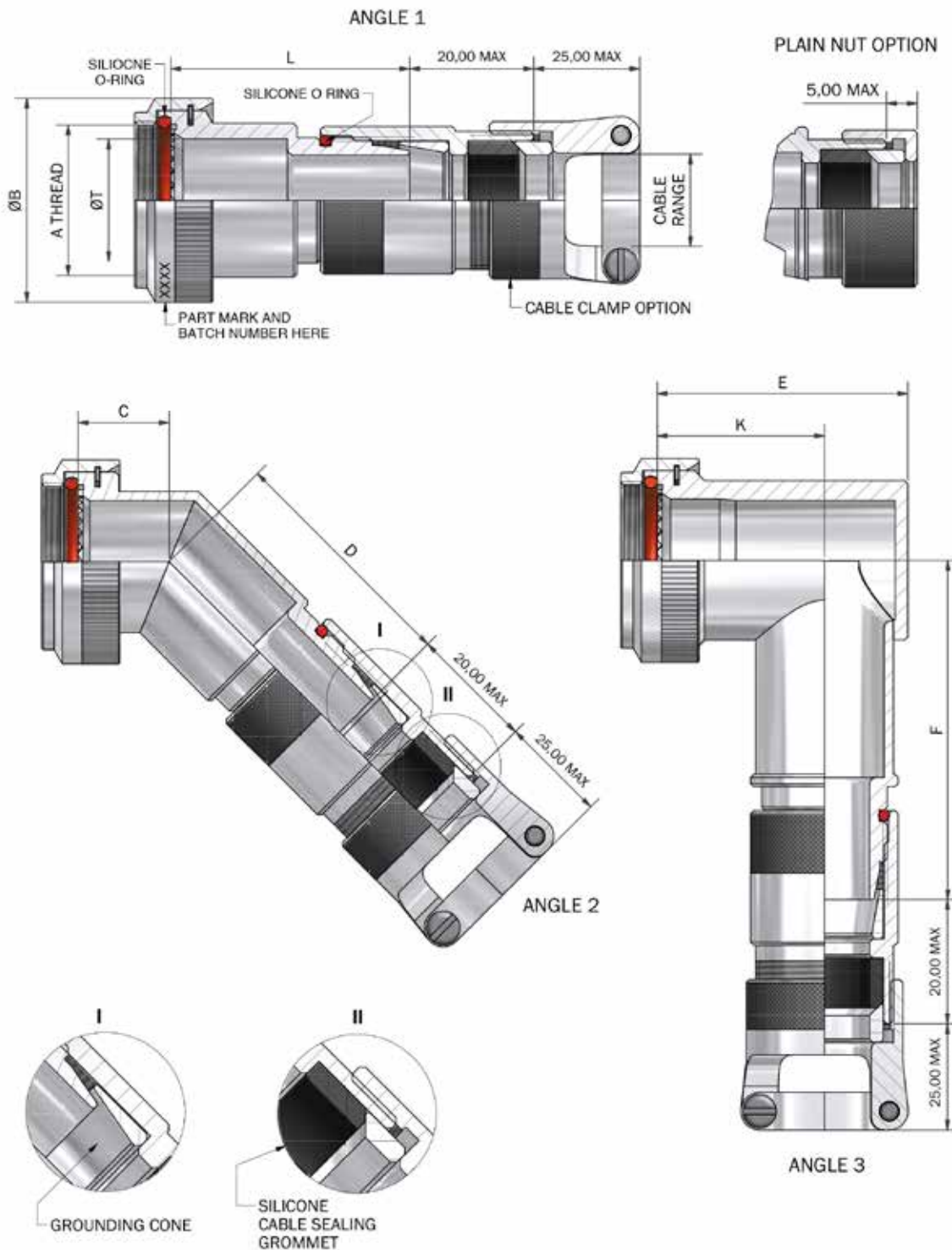
SEE PAGES 18-26 FOR COMPLETE LIST OF AVAILABLE MATERIALS, FINISHES AND CONNECTOR INTERFACES (DIMENSIONS, FORM AND O RING SUBJECT TO CHANGE DEPENDING ON BACKSHELL MATERIAL AND CONNECTOR INTERFACE)

39H - Cone Clamp Cable Sealing Backshell

Interface H - MIL-DTL-38999 SERIES III & IV



Interconnect Solutions Worldwide



CONE TERMINATION

DRAWING NOT TO SCALE, DIMENSIONS IN MM

SEE PAGES 18-26 FOR COMPLETE LIST OF AVAILABLE MATERIALS, FINISHES AND CONNECTOR INTERFACES (DIMENSIONS, FORM AND O RING SUBJECT TO CHANGE DEPENDING ON BACKSHELL MATERIAL AND CONNECTOR INTERFACE)

39H - Cone Clamp Cable Sealing Backshell

Interface H - MIL-DTL-38999 SERIES III & IV



Interconnect Solutions Worldwide

TABLE 1

SHELL SIZE	A THREAD	ØB MAX	ØT MIN	MAX ENTRY	C MAX	D MAX	E MAX	F MAX	K ±0,5
09	M12 x 1.0	18,0	6,7	-	13,1	30,5	25,7	39,2	17,5
11	M15 x 1.0	21,0	10,2	04	13,9	30,5	26,7	42,3	17,5
13	M18 x 1.0	24,5	13,5	06	14,5	32,5	31,2	42,8	20,0
15	M22 x 1.0	29,0	16,2	10	15,5	40,3	37,2	50,5	24,5
17	M25 x 1.0	32,5	19,4	12	16,1	43,1	40,2	52,8	26,7
19	M28 x 1.0	35,5	21,8	12	16,8	47,9	44,7	57,1	27,0
21	M31 x 1.0	37,0	25,1	16	17,1	47,9	49,2	57,1	30,5
23	M34 x 1.0	40,0	28,2	16	17,7	56,5	51,7	64,7	31,5
25	M37 x 1.0	43,5	31,4	16	18,4	56,5	53,2	64,7	28,5

IF MAX ENTRY IS EXCEEDED, ADAPTOR ASSEMBLY IS SUPPLIED AS STYLE 2 (T2 DOES NOT FEATURE IN THE PART NUMBER) IN WHICH CASE DIMENSIONS C, D, E, F & K DO NOT APPLY AND MIN L IS L3

TABLE 2

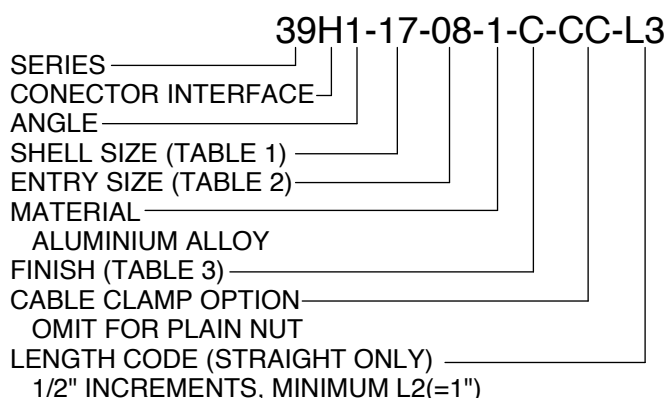
ENTRY SIZE	CABLE RANGE
04	3,2 - 7,9
06	6,4 - 11,1
08	9,8 - 14,3
08X	7,9 - 14,3
10	8,9 - 15,9
12	12,7 - 19,1
16	15,9 - 23,8
20	22,2 - 31,8
24	25,4 - 34,9
28	31,8 - 41,3
32	36,5 - 47,6

TABLE 3

CODE	FINISH
C	ELECTROLESS NICKEL
B	CADMIUM OLIVE DRAB OVER ELECTROLESS NICKEL
ZB	ZINC COBALT OLIVE DRAB OVER ELECTROLESS NICKEL
ZN	ZINC NICKEL BLACK PASSIVATE OVER ELECTROLESS NICKEL

LIST NOT EXHAUSTIVE, SEE PLATING TABLE FOR OTHER OPTIONS

TWO GROMMETS SUPPLIED WITH ENTRY SIZES 08X AND 10 TO COVER FULL SEALING RANGE



CONE TERMINATION

For tooling and assembly instructions see www.polamco.com

Backshell supplied with Cone(s)

Sealing and strain relief achieved with Heat Shrink Boot for non CC versions (see page 354)

Adhesive if required for assembly (see page 352)

Screenbraid for EMC/RFI screening (see page 350)

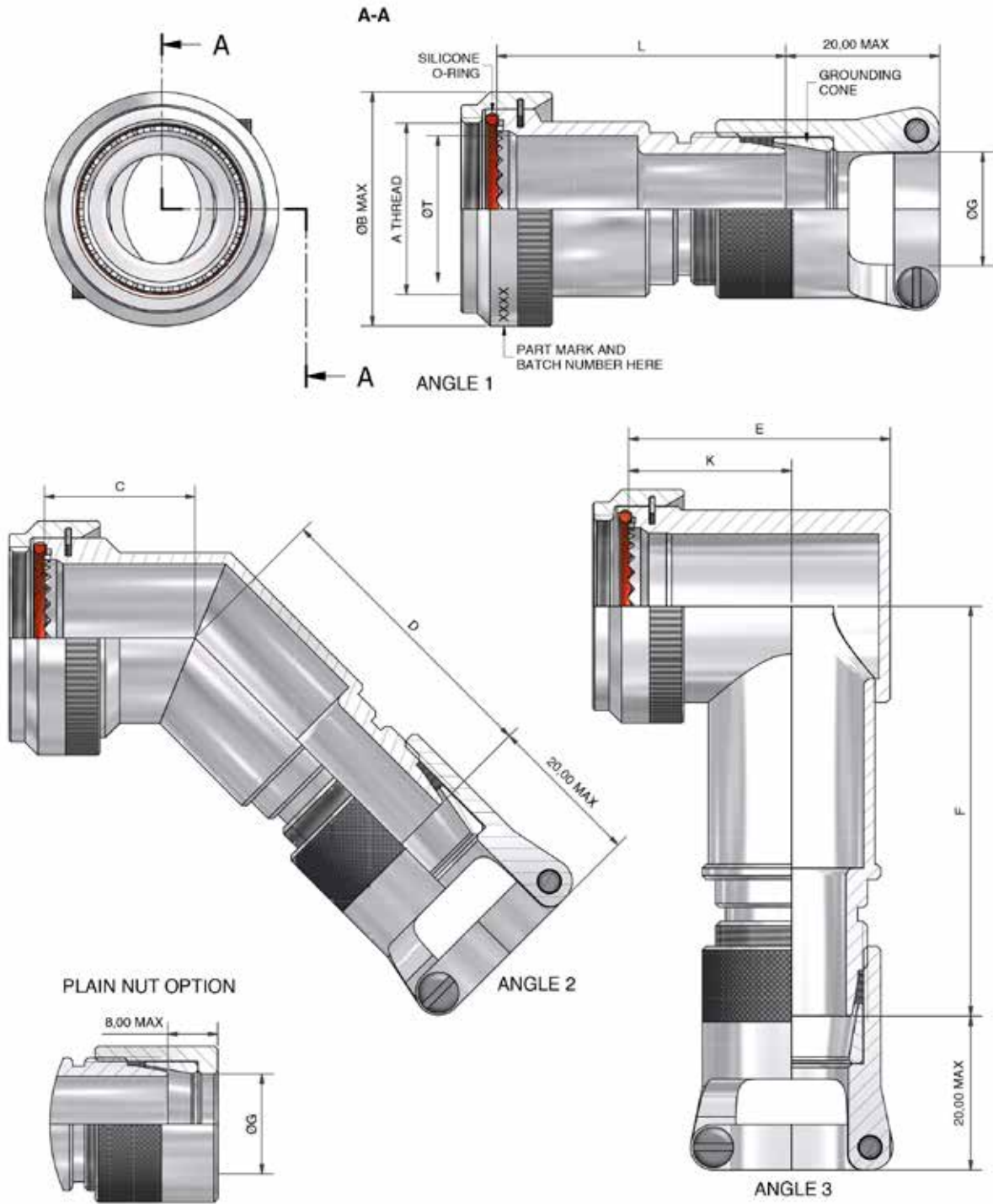
DRAWING NOT TO SCALE, DIMENSIONS IN MM

SEE PAGES 18-26 FOR COMPLETE LIST OF AVAILABLE MATERIALS, FINISHES AND CONNECTOR INTERFACES (DIMENSIONS, FORM AND O RING SUBJECT TO CHANGE DEPENDING ON BACKSHELL MATERIAL AND CONNECTOR INTERFACE)

39F (NE) - Cone Clamp Backshell Non-Environmental Interface F - MIL-DTL-38999 SERIES I



Interconnect Solutions Worldwide



DRAWING NOT TO SCALE, DIMENSIONS IN MM

SEE PAGES 18-26 FOR COMPLETE LIST OF AVAILABLE MATERIALS, FINISHES AND CONNECTOR INTERFACES
(DIMENSIONS, FORM AND O RING SUBJECT TO CHANGE DEPENDING ON BACKSHELL MATERIAL AND CONNECTOR INTERFACE)

39F (NE) - Cone Clamp Backshell Non-Environmental Interface F - MIL-DTL-38999 SERIES I



Interconnect Solutions Worldwide

TABLE 1

SHELL SIZE	A THREAD	ØB MAX	ØT MIN	MAX ENTRY	C ±0,5	D MAX	E MAX	F MAX	K ±0,5
09	7/16-28UNEF	18,0	6,8	-	16,4	30,5	22,7	39,2	15,0
11	9/16-24UNEF	21,0	10,2	04	17,2	30,5	26,2	42,3	17,0
13	1 1/16-24UNEF	24,5	13,1	06	17,6	32,5	29,2	42,8	18,0
15	1 3/16-20UNEF	27,8	16,2	10	18,5	40,3	32,2	50,5	20,0
17	1 5/16-20UNEF	30,8	19,3	12	19,2	43,1	35,7	52,8	21,5
19	1 7/16-18UNEF	34,1	22,3	12	19,6	47,9	39,7	57,1	23,0
21	1 9/16-18UNEF	37,3	25,8	16	20,4	47,9	42,2	57,1	25,0
23	1 5/8-18UNEF	41,0	28,3	16	20,8	56,5	45,2	64,7	26,0
25	1 7/8-18UNEF	43,7	31,5	16	21,7	56,5	48,2	64,7	28,0

IF MAX ENTRY IS EXCEEDED, ADAPTOR ASSEMBLY IS SUPPLIED AS A STYLE T2 (T2 DOES NOT FEATURE IN THE PART NUMBER) IN WHICH CASE DIMENSIONS C,D,E,F & K DO NOT APPLY AND MIN L IS L3.

TABLE 2

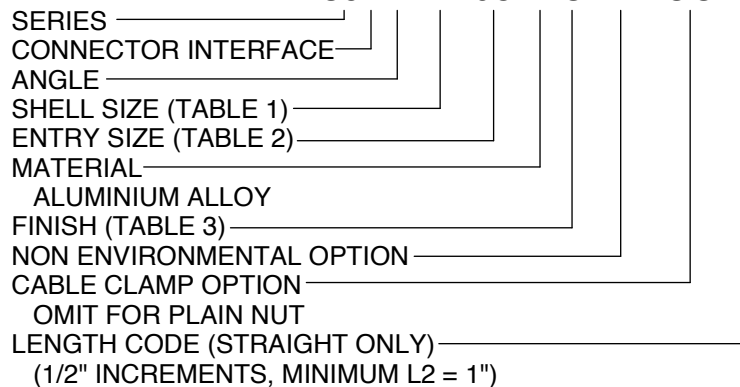
ENTRY SIZE	ØG MIN
04	7,9
06	11,1
08	14,3
10	15,9
12	19,1
16	23,8
20	31,8
24	34,9
28	41,3
32	47,6

TABLE 3

CODE	FINISH
C	ELECTROLESS NICKEL
B	CADMIUM OLIVE DRAB OVER ELECTROLESS NICKEL
ZB	ZINC COBALT OLIVE DRAB OVER ELECTROLESS NICKEL
ZN	ZINC NICKEL BLACK PASSIVATE OVER ELECTROLESS NICKEL

LIST NOT EXHAUSTIVE, SEE PLATING TABLE FOR OTHER OPTIONS

39F1-17-08-1-C-NE-CC-L3



CONE TERMINATION

For tooling and assembly instructions see www.polamco.com

Backshell supplied with Cone(s)

Sealing and strain relief achieved with Heat Shrink Boot for non CC versions (see page 354)

Adhesive if required for assembly (see page 352)

Screenbraid for EMC/RFI screening (see page 350)

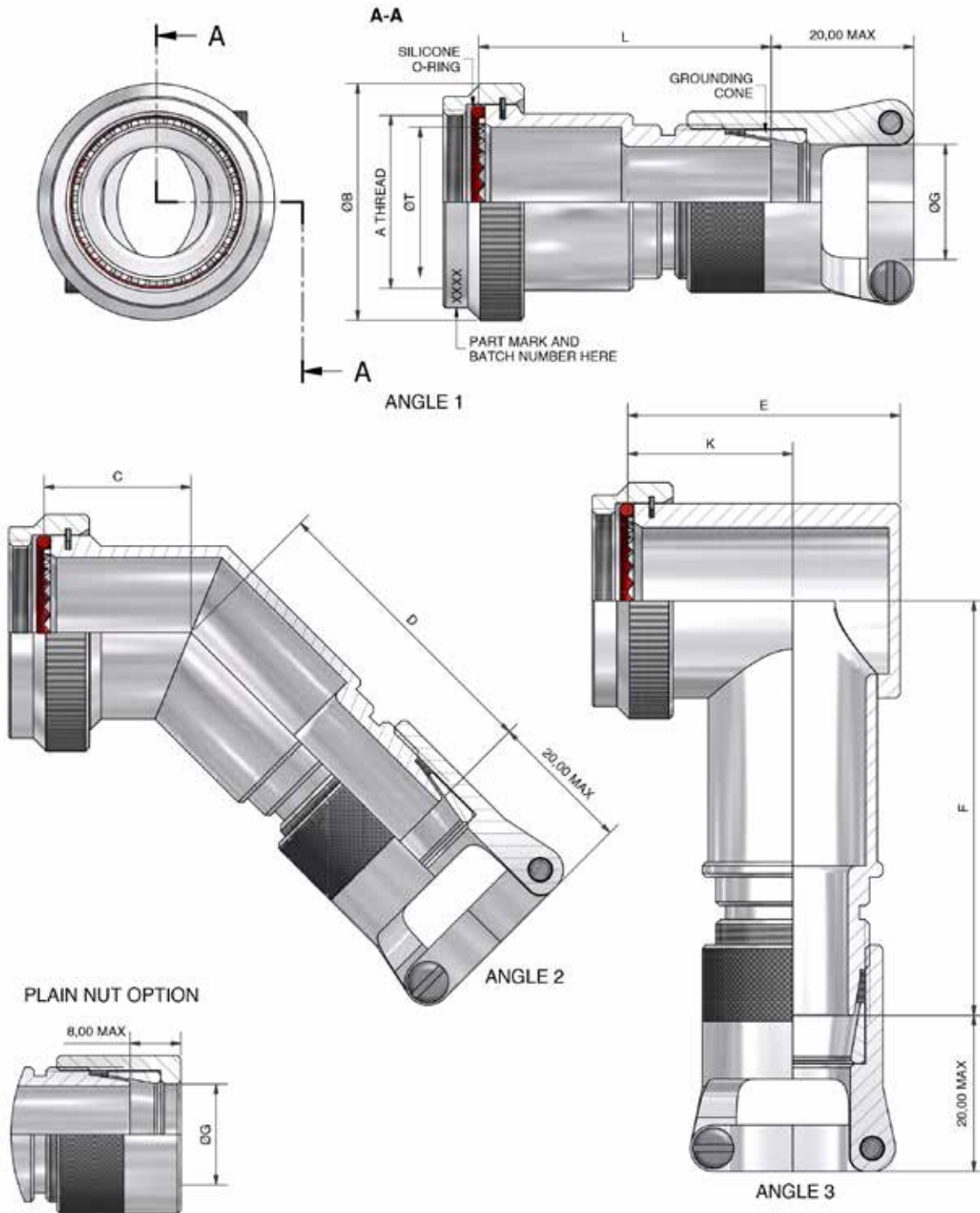
DRAWING NOT TO SCALE, DIMENSIONS IN MM

SEE PAGES 18-26 FOR COMPLETE LIST OF AVAILABLE MATERIALS, FINISHES AND CONNECTOR INTERFACES (DIMENSIONS, FORM AND O RING SUBJECT TO CHANGE DEPENDING ON BACKSHELL MATERIAL AND CONNECTOR INTERFACE)

39F (NE) - Cone Clamp Backshell Non-Environmental Interface F - MIL-DTL-38999 SERIES II



Interconnect Solutions Worldwide



CONE TERMINATION

DRAWING NOT TO SCALE, DIMENSIONS IN MM

SEE PAGES 18-26 FOR COMPLETE LIST OF AVAILABLE MATERIALS, FINISHES AND CONNECTOR INTERFACES
(DIMENSIONS, FORM AND O RING SUBJECT TO CHANGE DEPENDING ON BACKSHELL MATERIAL AND CONNECTOR INTERFACE)

39F (NE) - Cone Clamp Backshell Non-Environmental Interface F - MIL-DTL-38999 SERIES II



Interconnect Solutions Worldwide

TABLE 1

SHELL SIZE	A THREAD	ØB MAX	ØT MIN	MAX ENTRY	C ±0,5	D MAX	E MAX	F MAX	K ±0,5
08	7/16-28UNEF	18,3	6,6	-	16,4	30,5	22,7	39,2	15,0
10	9/16-24UNEF	21,5	10,1	04	17,2	30,5	26,2	42,3	17,0
12	11/16-24UNEF	24,5	12,9	06	17,6	32,5	29,2	42,8	18,0
14	13/16-20UNEF	27,8	16,1	10	18,5	40,3	32,2	50,5	20,0
16	15/16-20UNEF	30,8	19,3	12	19,2	43,1	35,7	52,8	21,5
18	1 1/16-18UNEF	34,1	21,7	12	19,6	47,9	39,7	57,1	23,0
20	1 3/16-18UNEF	37,3	24,9	16	20,4	47,9	42,2	57,1	25,0
22	1 5/16-18UNEF	40,5	28,1	16	20,8	56,5	45,2	64,7	26,0
24	1 7/16-18UNEF	43,7	31,3	16	21,7	56,5	48,2	64,7	28,0

IF MAX ENTRY IS EXCEEDED, ADAPTOR ASSEMBLY IS SUPPLIED AS A STYLE T2 (T2 DOES NOT FEATURE IN THE PART NUMBER) IN WHICH CASE DIMENSIONS C,D,E,F & K DO NOT APPLY AND MIN L IS L3.

TABLE 2

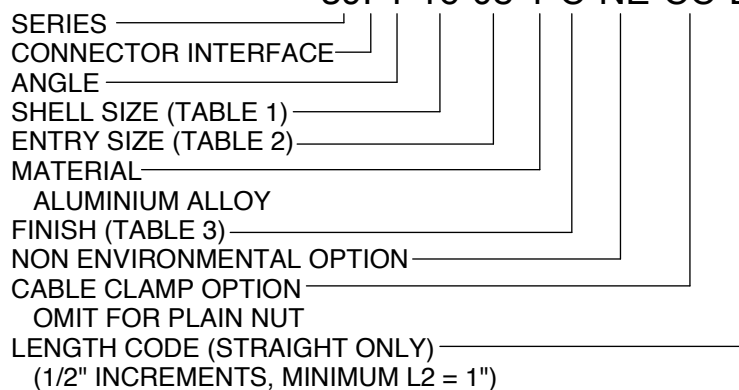
ENTRY SIZE	ØG MIN
04	7,9
06	11,1
08	14,3
10	15,9
12	19,1
16	23,8
20	31,8
24	34,9
28	41,3
32	47,6

TABLE 3

CODE	FINISH
C	ELECTROLESS NICKEL
B	CADMIUM OLIVE DRAB OVER ELECTROLESS NICKEL
ZB	ZINC COBALT OLIVE DRAB OVER ELECTROLESS NICKEL
ZN	ZINC NICKEL BLACK PASSIVATE OVER ELECTROLESS NICKEL

LIST NOT EXHAUSTIVE, SEE PLATING TABLE FOR OTHER OPTIONS

39F1-16-08-1-C-NE-CC-L3



CONE TERMINATION

For tooling and assembly instructions see www.polamco.com

Backshell supplied with Cone(s)

Sealing and strain relief achieved with Heat Shrink Boot for non CC versions (see page 354)

Adhesive if required for assembly (see page 352)

Screenbraid for EMC/RFI screening (see page 350)

DRAWING NOT TO SCALE, DIMENSIONS IN MM

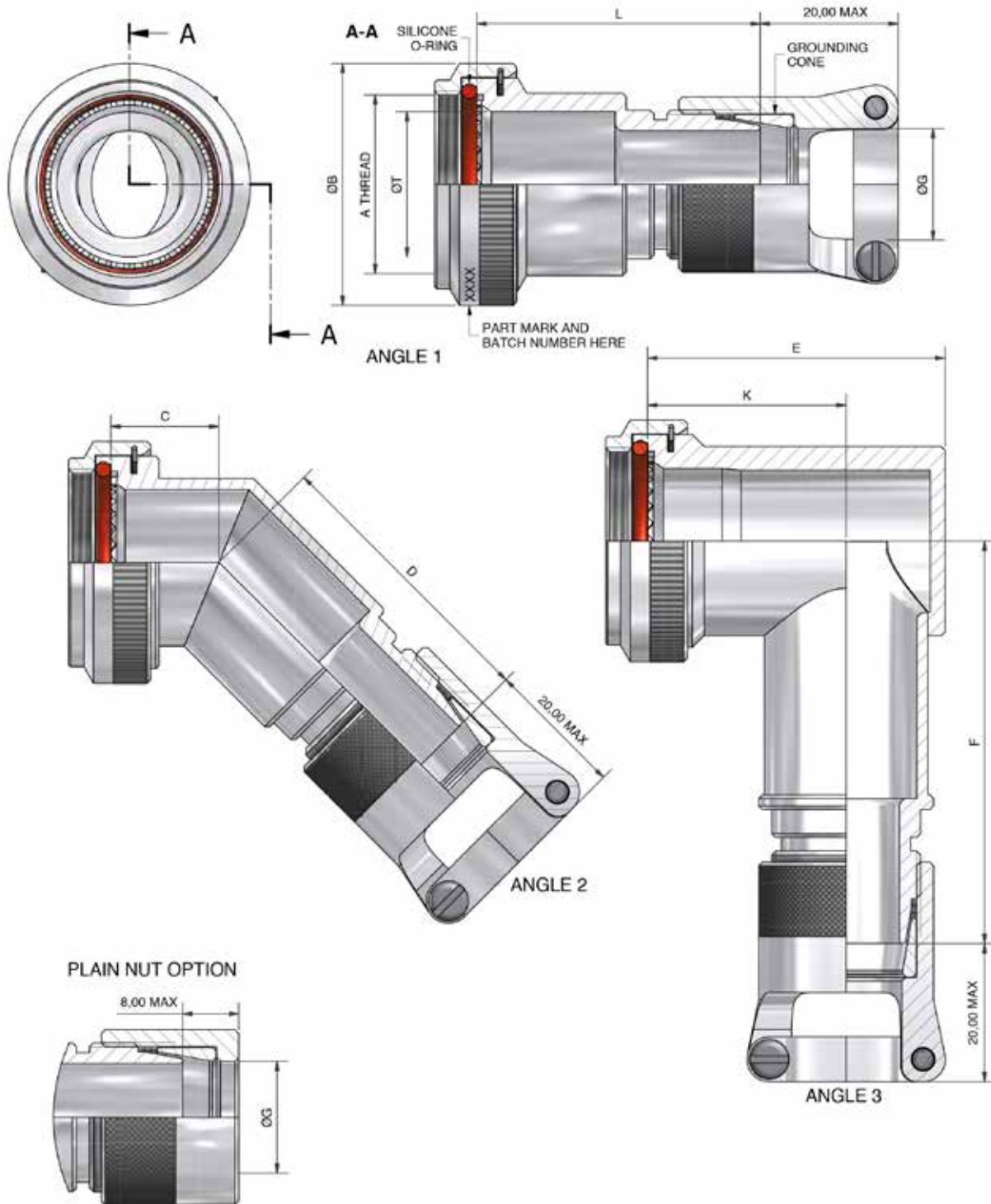
SEE PAGES 18-26 FOR COMPLETE LIST OF AVAILABLE MATERIALS, FINISHES AND CONNECTOR INTERFACES (DIMENSIONS, FORM AND O RING SUBJECT TO CHANGE DEPENDING ON BACKSHELL MATERIAL AND CONNECTOR INTERFACE)

39H (NE) - Cone Clamp Backshell Non-Environmental

Interface H - MIL-DTL-38999 SERIES III & IV



Interconnect Solutions Worldwide



CONE TERMINATION

DRAWING NOT TO SCALE, DIMENSIONS IN MM

SEE PAGES 18-26 FOR COMPLETE LIST OF AVAILABLE MATERIALS, FINISHES AND CONNECTOR INTERFACES
(DIMENSIONS, FORM AND O RING SUBJECT TO CHANGE DEPENDING ON BACKSHELL MATERIAL AND CONNECTOR INTERFACE)

39H (NE) - Cone Clamp Backshell Non-Environmental

Interface H - MIL-DTL-38999 SERIES III & IV



Interconnect Solutions Worldwide

TABLE 1

SHELL SIZE	A THREAD	ØB MAX	ØT MIN	MAX ENTRY	C MAX	D MAX	E MAX	F MAX	K ±0,5
09	M12x1.0	18,0	6,7	-	13,1	30,5	25,7	39,2	17,5
11	M15x1.0	21,0	10,2	04	13,9	30,5	26,7	42,3	17,5
13	M18x1.0	24,5	13,5	06	14,5	32,5	31,2	42,8	20,0
15	M22x1.0	29,0	16,2	10	15,5	40,3	37,2	50,5	24,5
17	M25x1.0	32,5	19,4	12	16,1	43,1	40,2	52,8	26,7
19	M28x1.0	35,5	21,8	12	16,8	47,9	44,7	57,1	27,0
21	M31x1.0	37,0	25,1	16	17,1	47,9	49,2	57,1	30,5
23	M34x1.0	40,0	28,2	16	17,7	56,5	51,7	64,7	31,5
25	M37x1.0	43,5	31,4	16	18,4	56,5	53,2	64,7	28,5

IF MAX ENTRY IS EXCEEDED, ADAPTOR ASSEMBLY IS SUPPLIED AS A STYLE T2 (T2 DOES NOT FEATURE IN THE PART NUMBER) IN WHICH CASE DIMENSIONS C,D,E,F & K DO NOT APPLY AND MIN L IS L3.

TABLE 2

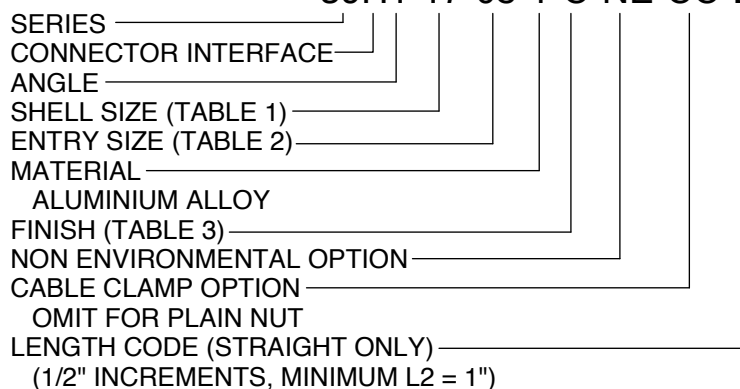
ENTRY SIZE	ØG MIN
04	7,9
06	11,1
08	14,3
10	15,9
12	19,1
16	23,8
20	31,8
24	34,9
28	41,3
32	47,6

TABLE 3

CODE	FINISH
C	ELECTROLESS NICKEL
B	CADMIUM OLIVE DRAB OVER ELECTROLESS NICKEL
ZB	ZINC COBALT OLIVE DRAB OVER ELECTROLESS NICKEL
ZN	ZINC NICKEL BLACK PASSIVATE OVER ELECTROLESS NICKEL

LIST NOT EXHAUSTIVE, SEE PLATING TABLE FOR OTHER OPTIONS

39H1-17-08-1-C-NE-CC-L3



CONE TERMINATION

For tooling and assembly instructions see www.polamco.com

Backshell supplied with Cone(s)

Sealing and strain relief achieved with Heat Shrink Boot for non CC versions (see page 354)

Adhesive if required for assembly (see page 352)

Screenbraid for EMC/RFI screening (see page 350)

DRAWING NOT TO SCALE, DIMENSIONS IN MM

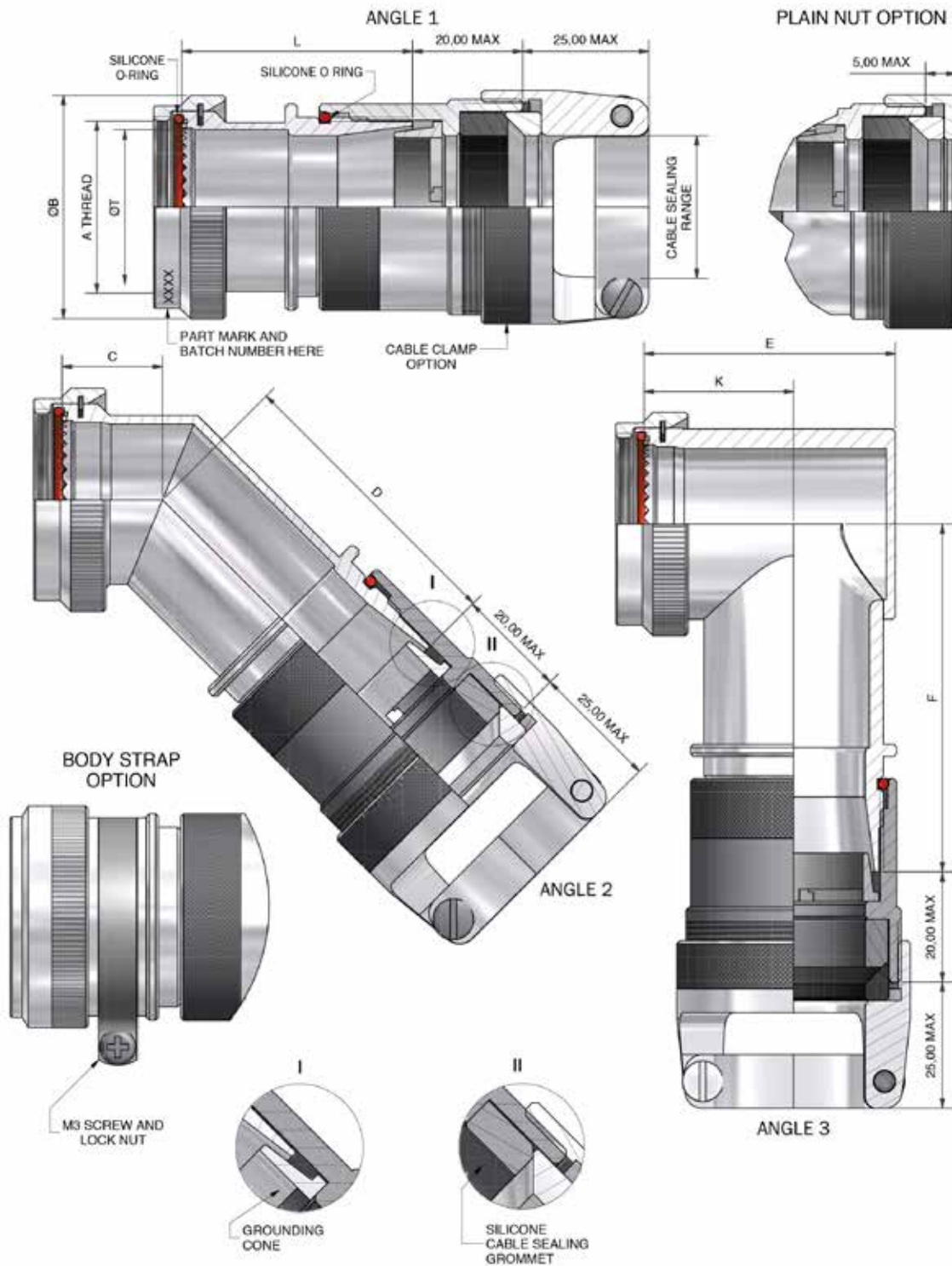
SEE PAGES 18-26 FOR COMPLETE LIST OF AVAILABLE MATERIALS, FINISHES AND CONNECTOR INTERFACES (DIMENSIONS, FORM AND O RING SUBJECT TO CHANGE DEPENDING ON BACKSHELL MATERIAL AND CONNECTOR INTERFACE)

CS64F - Cone Clamp Cable Sealing Backshell

Interface F - MIL-DTL-38999 SERIES I



Interconnect Solutions Worldwide



CONE TERMINATION

DRAWING NOT TO SCALE, DIMENSIONS IN MM

SEE PAGES 18-26 FOR COMPLETE LIST OF AVAILABLE MATERIALS, FINISHES AND CONNECTOR INTERFACES (DIMENSIONS, FORM AND O RING SUBJECT TO CHANGE DEPENDING ON BACKSHELL MATERIAL AND CONNECTOR INTERFACE)

CS64F - Cone Clamp Cable Sealing Backshell

Interface F - MIL-DTL-38999 SERIES I



Interconnect Solutions Worldwide

TABLE 1

SHELL SIZE	A THREAD	B MAX	T MIN	MAX ENTRY	C MAX	D MAX	E MAX	F MAX	K +/- 0,5
09	7/16-28 UNEF	18,0	6,8	-	16,4	31,8	22,7	40,5	15,0
11	9/16-24 UNEF	21,0	10,2	04	17,2	31,8	26,2	43,6	17,0
13	11/16-24 UNEF	24,5	13,1	06	17,6	33,8	29,2	44,1	18,0
15	13/16-20 UNEF	27,8	16,2	10	18,5	41,6	32,2	51,8	20,0
17	15/16-20 UNEF	30,8	19,3	12	19,2	44,4	35,7	54,1	21,5
19	1 1/16-18 UNEF	34,1	22,3	12	19,6	49,2	39,7	58,4	23,0
21	1 3/16-18 UNEF	37,3	25,8	16	20,4	49,2	42,2	58,4	25,0
23	1 5/16-18 UNEF	41,0	28,3	16	20,8	57,8	45,2	66,0	26,0
25	1 7/16-18 UNEF	43,7	31,5	16	21,7	57,8	48,2	66,0	28,0

IF MAX ENTRY IS EXCEEDED, ADAPTOR ASSEMBLY IS SUPPLIED AS STYLE 2 (T2 DOES NOT FEATURE IN THE PART NUMBER) IN WHICH CASE DIMENSIONS C, D, E, F & K DO NOT APPLY AND MIN L IS L3

TABLE 2

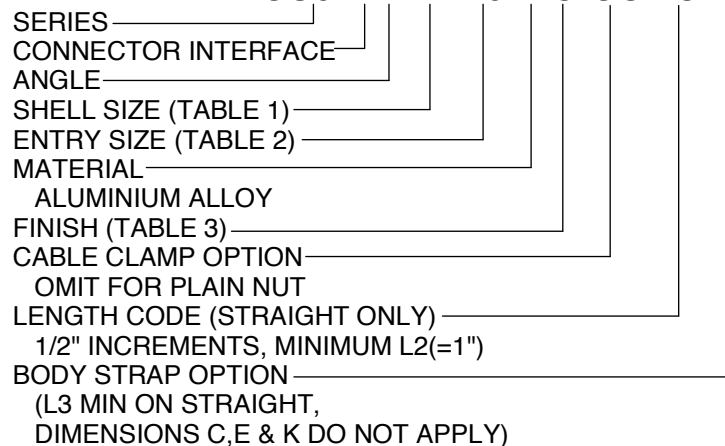
ENTRY SIZE	CABLE SEALING RANGE
04	3,2 - 7,9
06	6,4 - 11,1
08	9,8 - 14,3
10	8,9 - 15,9
12	12,7 - 19,1
16	15,9 - 23,8
20	22,2 - 31,8
24	25,4 - 34,9
28	31,8 - 41,3
32	36,5 - 47,6

TABLE 3

CODE	FINISH
C	ELECTROLESS NICKEL
B	CADMIUM OLIVE DRAB OVER ELECTROLESS NICKEL
ZB	ZINC COBALT OLIVE DRAB OVER ELECTROLESS NICKEL
ZN	ZINC NICKEL BLACK PASSIVATE OVER ELECTROLESS NICKEL

LIST NOT EXHAUSTIVE, SEE PLATING TABLE FOR OTHER OPTIONS

CS64F1-21-16-1-C-CC-L3-BS



CONE TERMINATION

For tooling and assembly instructions see www.polamco.com

Backshell supplied with Cone(s)

Sealing and strain relief achieved with Heat Shrink Boot for non CC versions (see page 354)

Adhesive if required for assembly (see page 352)

Screenbraid for EMC/RFI screening (see page 350)

DRAWING NOT TO SCALE, DIMENSIONS IN MM

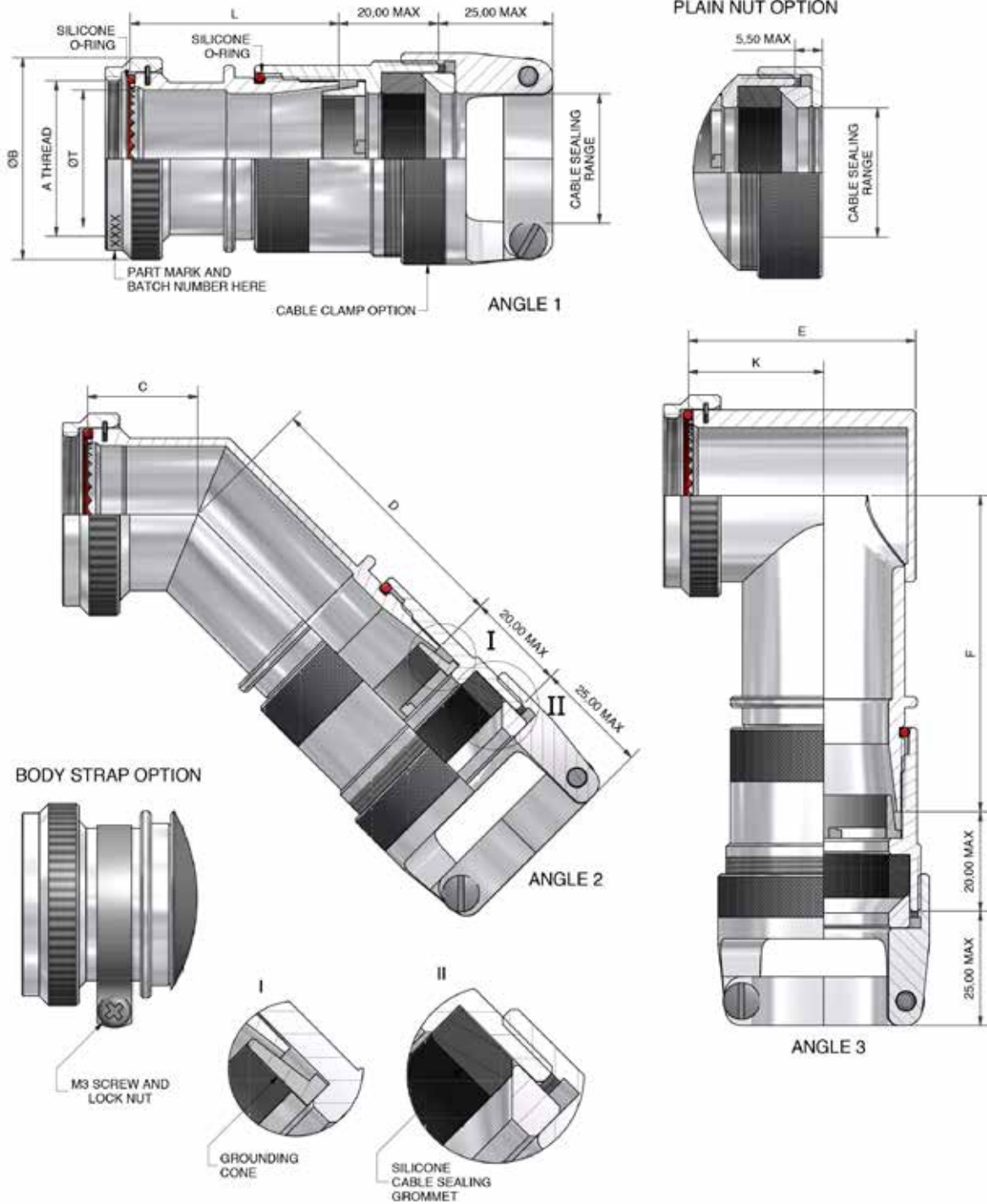
SEE PAGES 18-26 FOR COMPLETE LIST OF AVAILABLE MATERIALS, FINISHES AND CONNECTOR INTERFACES (DIMENSIONS, FORM AND O RING SUBJECT TO CHANGE DEPENDING ON BACKSHELL MATERIAL AND CONNECTOR INTERFACE)

CS64F - Cone Clamp Cable Sealing Backshell

Interface F - MIL-DTL-38999 SERIES II



Interconnect Solutions Worldwide



CONE TERMINATION

DRAWING NOT TO SCALE, DIMENSIONS IN MM

SEE PAGES 18-26 FOR COMPLETE LIST OF AVAILABLE MATERIALS, FINISHES AND CONNECTOR INTERFACES (DIMENSIONS, FORM AND O RING SUBJECT TO CHANGE DEPENDING ON BACKSHELL MATERIAL AND CONNECTOR INTERFACE)

CS64F - Cone Clamp Cable Sealing Backshell

Interface F - MIL-DTL-38999 SERIES II



Interconnect Solutions Worldwide

TABLE 1

SHELL SIZE	A THREAD	ØB MAX	ØT MIN	C ±0,5	D MAX	E MAX	F MAX	K ±0,5	MAX ENTRY
08	7/16-28UNEF	18,3	6,6	16,4	31,8	22,7	40,5	15,0	-
10	9/16-24UNEF	21,5	10,1	17,2	31,8	26,2	43,6	17,0	04
12	11/16-24UNEF	24,5	12,9	17,6	33,8	29,2	44,1	18,0	06
14	13/16-20UNEF	27,8	16,1	18,5	41,6	32,2	51,8	20,0	10
16	15/16-20UNEF	30,8	19,3	20,2	44,4	35,7	54,1	21,5	12
18	1 1/16-18UNEF	34,1	21,7	19,6	49,2	39,7	58,4	23,0	12
20	1 3/16-18UNEF	37,3	24,9	20,4	49,2	42,2	58,4	25,0	16
22	1 5/16-18UNEF	40,5	28,1	20,8	57,8	45,2	66,0	26,0	16
24	1 7/16-18UNEF	43,7	31,3	21,7	57,8	48,2	66,0	28,0	16

IF MAX ENTRY IS EXCEEDED, ADAPTOR ASSEMBLY IS SUPPLIED AS STYLE 2 (T2 DOES NOT FEATURE IN THE PART NUMBER) IN WHICH CASE DIMENSIONS C, D, E, F & K DO NOT APPLY AND MIN L IS L3

TABLE 2

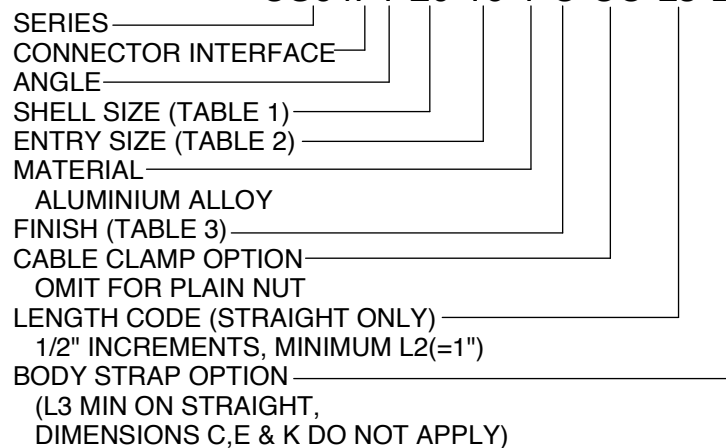
ENTRY SIZE	CABLE SEALING RANGE
04	3,2-7,9
06	6,4-11,1
08	9,8-14,3
10	8,9-15,9
12	12,7-19,1
16	15,9-23,8
20	22,2-31,8
24	25,4-34,9
28	31,8-41,3
32	36,5-47,6

TABLE 3

CODE	FINISH
C	ELECTROLESS NICKEL
B	CADMIUM OLIVE DRAB OVER ELECTROLESS NICKEL
ZB	ZINC COBALT OLIVE DRAB OVER ELECTROLESS NICKEL
ZN	ZINC NICKEL BLACK PASSIVATE OVER ELECTROLESS NICKEL

LIST NOT EXHAUSTIVE, SEE PLATING TABLE FOR OTHER OPTIONS

CS64F1-20-16-1-C-CC-L3-BS



CONE TERMINATION

For tooling and assembly instructions see www.polamco.com

Backshell supplied with Cone(s)

Sealing and strain relief achieved with Heat Shrink Boot for non CC versions (see page 354)

Adhesive if required for assembly (see page 352)

Screenbraid for EMC/RFI screening (see page 350)

DRAWING NOT TO SCALE, DIMENSIONS IN MM

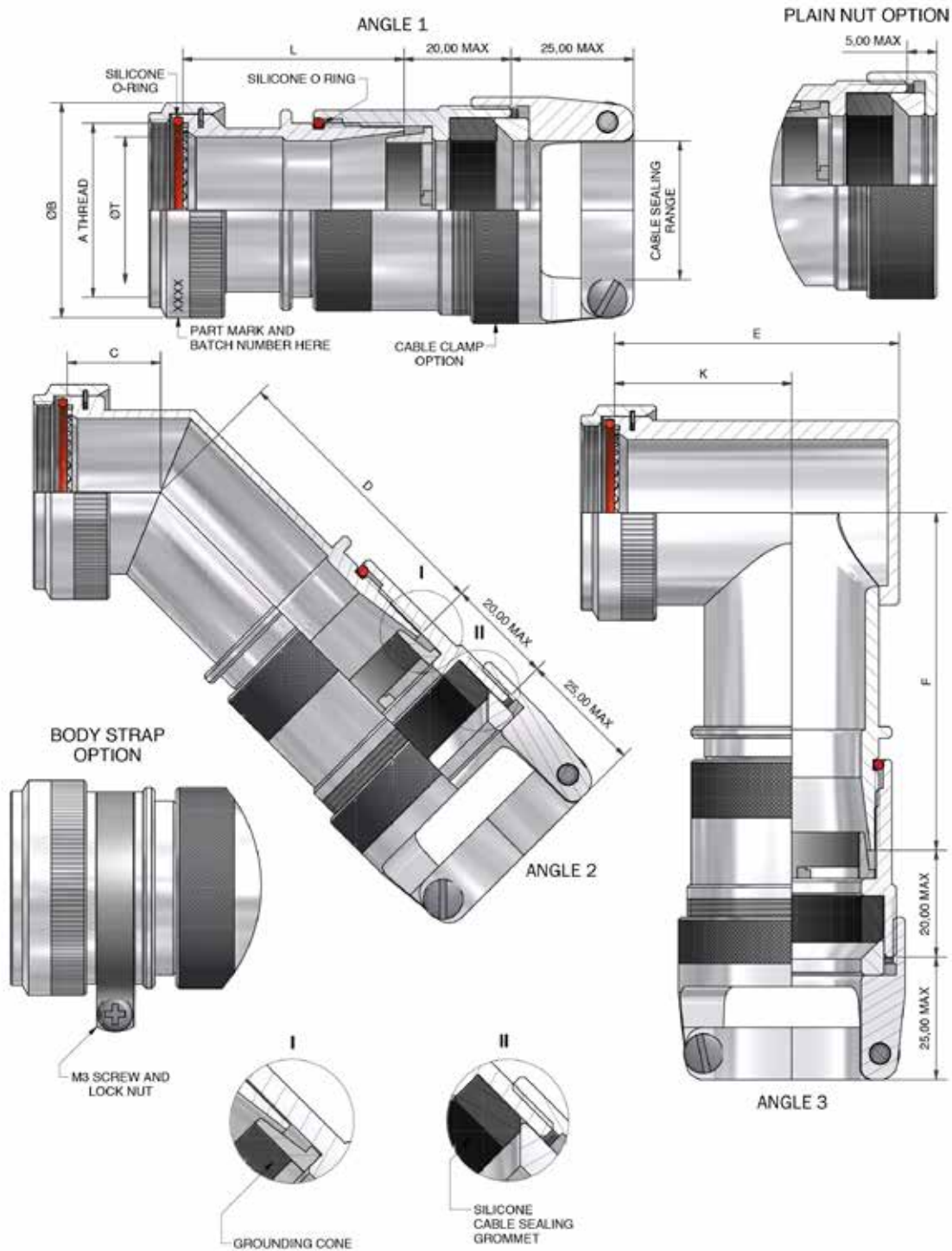
SEE PAGES 18-26 FOR COMPLETE LIST OF AVAILABLE MATERIALS, FINISHES AND CONNECTOR INTERFACES (DIMENSIONS, FORM AND O RING SUBJECT TO CHANGE DEPENDING ON BACKSHELL MATERIAL AND CONNECTOR INTERFACE)

CS64H - Cone Clamp Cable Sealing Backshell

Interface H - MIL-DTL-38999 SERIES III & IV



Interconnect Solutions Worldwide



DRAWING NOT TO SCALE, DIMENSIONS IN MM

SEE PAGES 18-26 FOR COMPLETE LIST OF AVAILABLE MATERIALS, FINISHES AND CONNECTOR INTERFACES (DIMENSIONS, FORM AND O RING SUBJECT TO CHANGE DEPENDING ON BACKSHELL MATERIAL AND CONNECTOR INTERFACE)

CS64H - Cone Clamp Cable Sealing Backshell

Interface H - MIL-DTL-38999 SERIES III & IV



Interconnect Solutions Worldwide

TABLE 1

SHELL SIZE	A THREAD	ØB MAX	ØT MIN	MAX ENTRY	C MAX	D MAX	E MAX	F MAX	K ±0,5
09	M12 x 1.0	18,0	6,7	-	13,1	31,8	25,7	40,5	17,5
11	M15 x 1.0	21,0	10,2	04	13,9	31,8	26,7	43,6	17,5
13	M18 x 1.0	24,5	13,5	06	14,5	33,8	31,2	44,1	20,0
15	M22 x 1.0	29,0	16,2	10	15,5	41,6	37,2	51,8	24,5
17	M25 x 1.0	32,5	19,4	12	16,1	44,4	40,2	54,1	26,7
19	M28 x 1.0	35,5	21,8	12	16,8	49,2	44,7	58,4	27,0
21	M31 x 1.0	37,0	25,1	16	17,1	49,2	49,2	58,4	30,5
23	M34 x 1.0	40,0	28,2	16	17,7	57,8	51,7	66,0	31,5
25	M37 x 1.0	43,5	31,4	16	18,4	57,8	53,2	66,0	28,5

IF MAX ENTRY IS EXCEEDED, ADAPTOR ASSEMBLY IS SUPPLIED AS STYLE 2 (T2 DOES NOT FEATURE IN THE PART NUMBER) IN WHICH CASE DIMENSIONS C, D, E, F & K DO NOT APPLY AND MIN L IS L3

TABLE 2

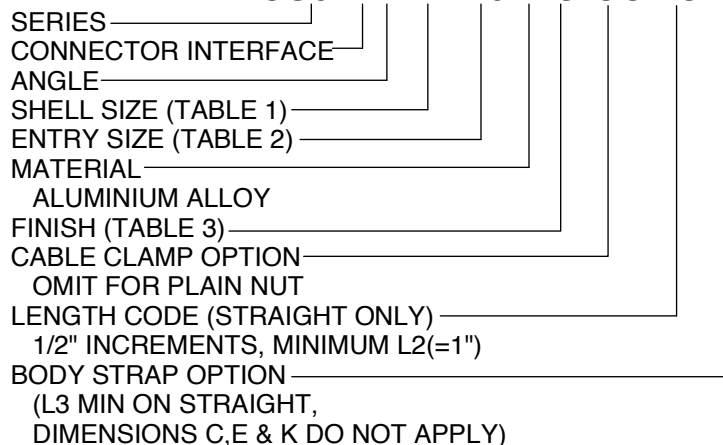
ENTRY SIZE	CABLE SEALING RANGE
04	3,2 - 7,9
06	6,4 - 11,1
08	9,8 - 14,3
10	8,9 - 15,9
12	12,7 - 19,1
16	15,9 - 23,8
20	22,2 - 31,8
24	25,4 - 34,9
28	31,8 - 41,3
32	36,5 - 47,6

TABLE 3

CODE	FINISH
C	ELECTROLESS NICKEL
B	CADMIUM OLIVE DRAB OVER ELECTROLESS NICKEL
ZB	ZINC COBALT OLIVE DRAB OVER ELECTROLESS NICKEL
ZN	ZINC NICKEL BLACK PASSIVATE OVER ELECTROLESS NICKEL

LIST NOT EXHAUSTIVE, SEE PLATING TABLE FOR OTHER OPTIONS

CS64H1-21-16-1-C-CC-L3-BS



For tooling and assembly instructions see www.polamco.com

Backshell supplied with Cone(s)

Sealing and strain relief achieved with Heat Shrink Boot for non CC versions (see page 354)

Adhesive if required for assembly (see page 352)

Screenbraid for EMC/RFI screening (see page 350)

DRAWING NOT TO SCALE, DIMENSIONS IN MM

SEE PAGES 18-26 FOR COMPLETE LIST OF AVAILABLE MATERIALS, FINISHES AND CONNECTOR INTERFACES (DIMENSIONS, FORM AND O RING SUBJECT TO CHANGE DEPENDING ON BACKSHELL MATERIAL AND CONNECTOR INTERFACE)

Pre-installed Heat Shrink Boots on the back of Backshells

Characteristics

- Kits for screened or unscreened options
- Reliable single part construction for combined screen termination and environmental protection
- High screening performance (90dbs to 300MHz)
- Low fire, zero Halogen Heat Shrink, low smoke, toxicity and flammability
- All parts machined from solid material for reliable strength and performance – easy to install/repair
- Available in all materials and straight, 45 or 90 degree options
- Compatible with Mil-Spec dimensions and performance
- Options on low profile, extended length and alternative angles
- Applications – all industries including shipbuilding and submarines

Benefits

- One-piece part
- Easy installation
- One part covers wide cable range
- Lightweight

TAK Kits are constructed from braided Magna-Form backshells and heat shrinkable moulded parts.

Installation is effected by coupling the adaptor end to the connector and shrinking the rear moulded part onto the cable with a hot air gun. Flexible conductive adhesive ensures reliable connection to the cable screen while the hot melt adhesive provides a strong bond onto the cable.



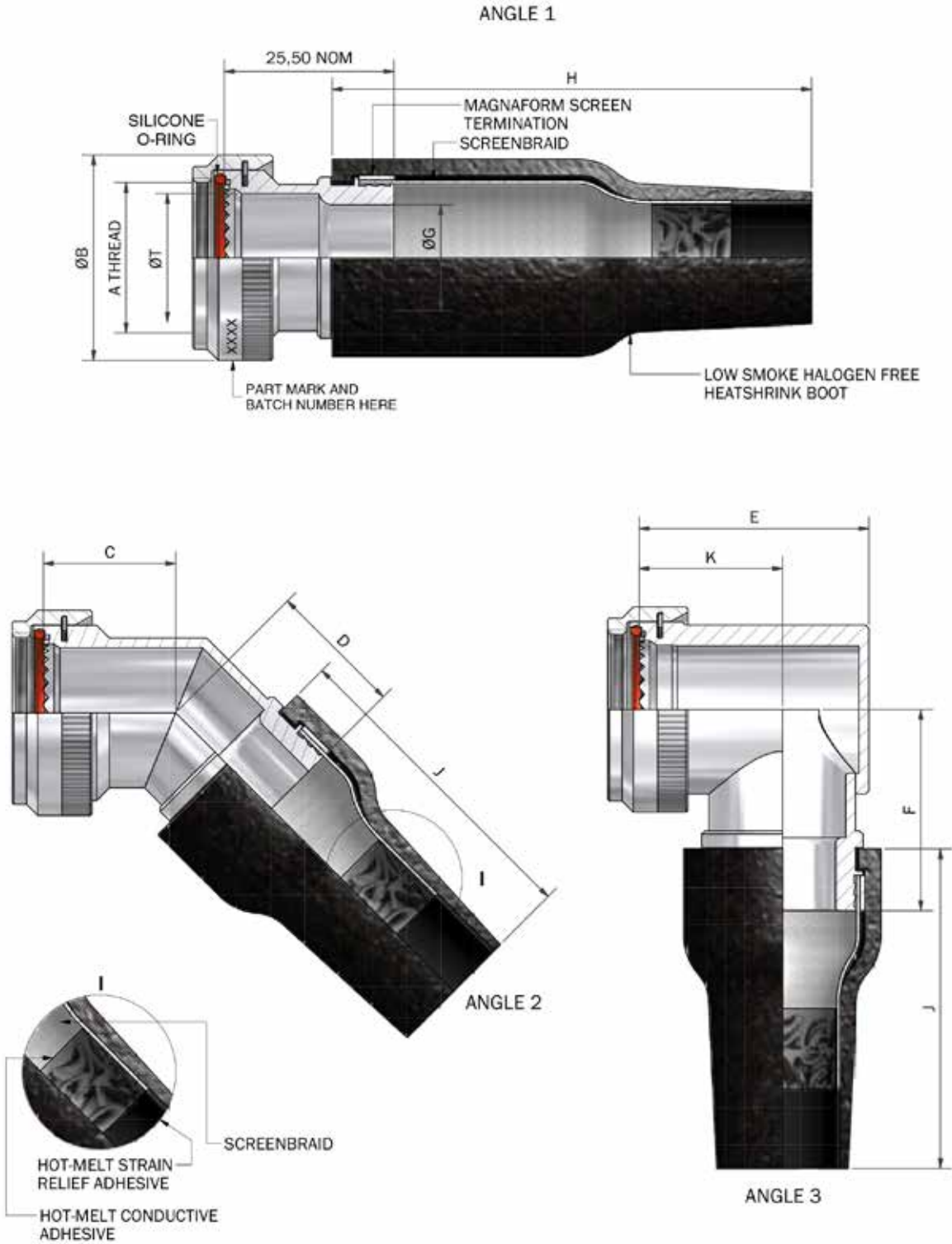
TAKF - Heat Shrink Backshell Kit

Interface F - MIL-DTL-38999 SERIES I



Please note that TAK kits are not RoHS compliant

Interconnect Solutions Worldwide



DRAWING NOT TO SCALE, DIMENSIONS IN MM

SEE PAGES 18-26 FOR COMPLETE LIST OF AVAILABLE MATERIALS, FINISHES AND CONNECTOR INTERFACES (DIMENSIONS, FORM AND O RING SUBJECT TO CHANGE DEPENDING ON BACKSHELL MATERIAL AND CONNECTOR INTERFACE)

TAKF - Heat Shrink Backshell Kit

Interface F - MIL-DTL-38999 SERIES I



Interconnect Solutions Worldwide

TABLE 1

SHELL SIZE	A THREAD	ØB MAX	ØT MIN	C ±0,5	D ±0,5	E MAX	F MAX	K ±0,5
09	7/16-28 UNEF	18,0	6,8	16,4	17,1	22,7	24,0	15,0
11	9/16-24 UNEF	21,0	10,2	17,2	18,2	26,2	25,7	17,0
13	11/16-24 UNEF	24,5	13,1	17,6	18,6	29,2	27,2	18,0
15	13/16-20 UNEF	27,8	16,2	18,5	19,5	32,2	28,7	20,0
17	15/16-20 UNEF	30,8	19,3	19,2	20,3	35,7	30,4	21,5
19	1 1/16-18 UNEF	34,1	22,3	19,6	20,8	39,7	32,0	23,0
21	1 3/16-18 UNEF	37,3	25,8	20,4	21,7	42,2	33,6	25,0
23	1 5/16-18 UNEF	41,0	28,3	20,8	22,0	45,2	35,1	26,0
25	1 7/16-18 UNEF	43,7	31,5	21,7	22,9	48,2	36,6	28,0

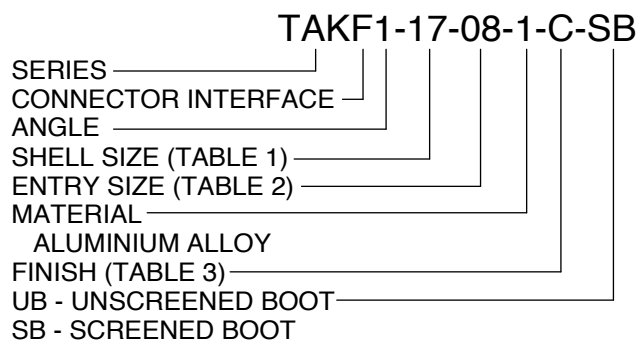
TABLE 2

ENTRY SIZE	ØG MIN	H LENGTH	J LENGTH	CABLE DIA RANGE
05	7,9	60	40	4,5 – 9,0
08	12,7	60	40	6,0 – 12,0
10	15,8	72	48	7,5 – 15,0
12	19,0	72	48	9,0 – 18,0
16	25,4	95	55	10,0 – 25,0
20	31,8	125	70	12,5 – 30,0
24	38,1	125	70	15,0 – 36,0

TABLE 3

CODE	FINISH
C	ELECTROLESS NICKEL
B	CADMIUM OLIVE DRAB OVER ELECTROLESS NICKEL
ZB	ZINC COBALT OLIVE DRAB OVER ELECTROLESS NICKEL
ZN	ZINC NICKEL BLACK PASSIVATE OVER ELECTROLESS NICKEL

LIST NOT EXHAUSTIVE, SEE PLATING TABLE FOR OTHER OPTIONS



For tooling and assembly instructions see www.polamco.com

Backshell supplied pre-terminated as a single part construction, with a Magna-Form braid tail and pre-installed Heat Shrink Boot. Conductive adhesive ensures electrical continuity between cable screen and backshell braid tail. Hot melt adhesive provides a sealed bond onto the cable jacket.

DRAWING NOT TO SCALE, DIMENSIONS IN MM

SEE PAGES 18-26 FOR COMPLETE LIST OF AVAILABLE MATERIALS, FINISHES AND CONNECTOR INTERFACES (DIMENSIONS, FORM AND O RING SUBJECT TO CHANGE DEPENDING ON BACKSHELL MATERIAL AND CONNECTOR INTERFACE)

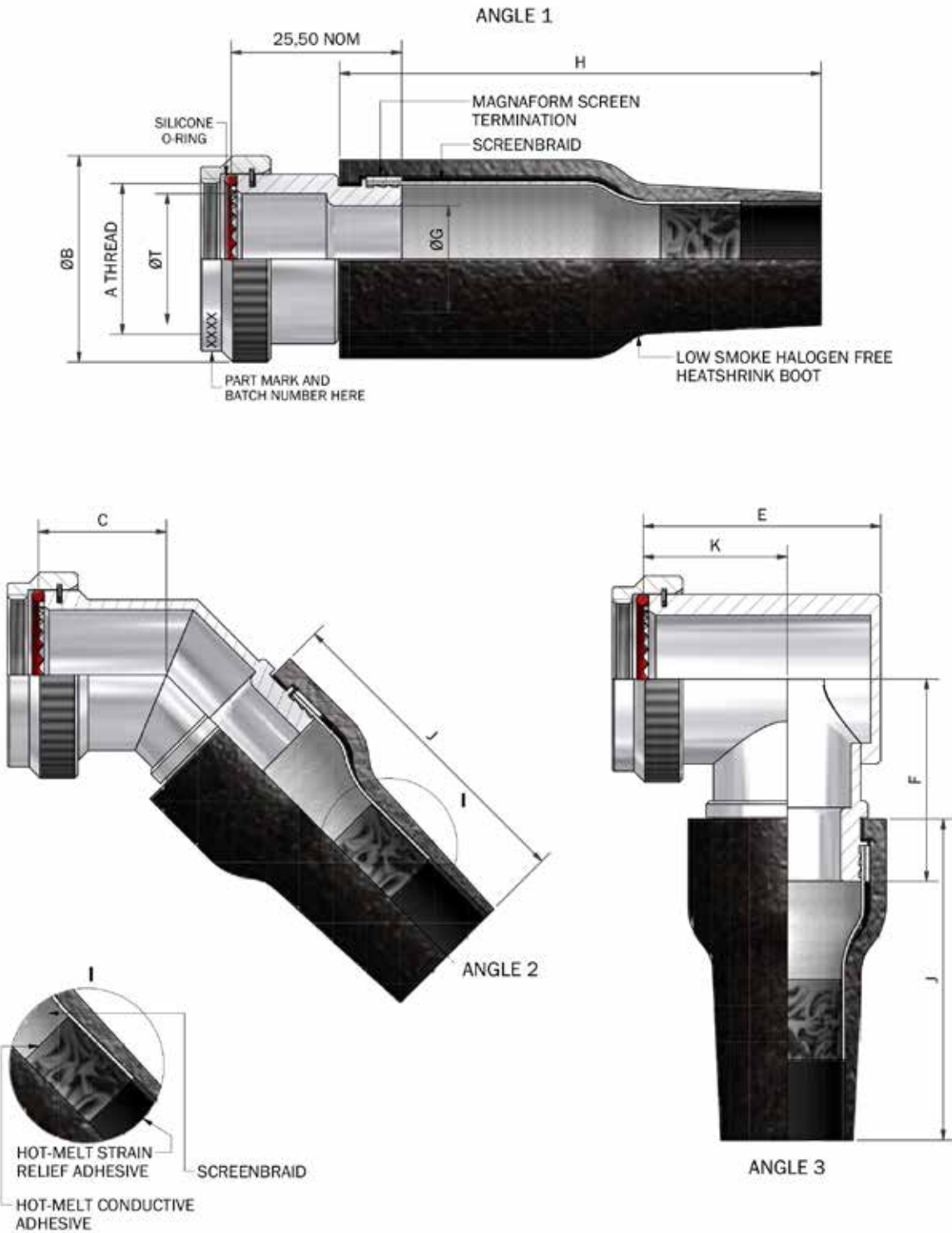
TAKF - Heat Shrink Backshell Kit

Interface F - MIL-DTL-38999 SERIES II



Please note that TAK kits are not RoHS compliant

Interconnect Solutions Worldwide



DRAWING NOT TO SCALE, DIMENSIONS IN MM

SEE PAGES 18-26 FOR COMPLETE LIST OF AVAILABLE MATERIALS, FINISHES AND CONNECTOR INTERFACES (DIMENSIONS, FORM AND O RING SUBJECT TO CHANGE DEPENDING ON BACKSHELL MATERIAL AND CONNECTOR INTERFACE)

TAKF - Heat Shrink Backshell Kit

Interface F - MIL-DTL-38999 SERIES II



Interconnect Solutions Worldwide

TABLE 1

SHELL SIZE	A THREAD	ØB MAX	ØT MIN	C ±0,5	D ±0,5	E MAX	F MAX	K ±0,5
08	7/16-28 UNEF	18,3	6,6	16,4	17,1	22,7	24,0	15,0
10	9/16-24 UNEF	21,5	10,1	17,2	18,2	26,2	25,7	17,0
12	11/16-24 UNEF	24,5	12,9	17,6	18,6	29,2	27,2	18,0
14	13/16-20 UNEF	27,8	16,1	18,5	19,5	32,2	28,7	20,0
16	15/16-20 UNEF	30,8	19,3	20,2	20,3	35,7	30,4	21,5
18	1 1/16-18 UNEF	34,1	21,7	19,6	20,8	39,7	32,0	23,0
20	1 3/16-18 UNEF	37,3	24,9	20,4	21,7	42,2	33,6	25,0
22	1 5/16-18 UNEF	40,5	28,1	20,8	22,0	45,2	35,1	26,0
24	1 7/16-18 UNEF	43,7	31,3	21,7	22,9	48,2	36,6	28,0

TABLE 2

ENTRY SIZE	ØG MIN	H LENGTH	J LENGTH	CABLE DIA RANGE
05	7,9	60	40	4,5 – 9,0
08	12,7	60	40	6,0 – 12,0
10	15,8	72	48	7,5 – 15,0
12	19,0	72	48	9,0 – 18,0
16	25,4	95	55	10,0 – 25,0
20	31,8	125	70	12,5 – 30,0
24	38,1	125	70	15,0 – 36,0

TABLE 3

CODE	FINISH
C	ELECTROLESS NICKEL
B	CADMIUM OLIVE DRAB OVER ELECTROLESS NICKEL
ZB	ZINC COBALT OLIVE DRAB OVER ELECTROLESS NICKEL
ZN	ZINC NICKEL BLACK PASSIVATE OVER ELECTROLESS NICKEL

LIST NOT EXHAUSTIVE, SEE PLATING TABLE FOR OTHER OPTIONS

TAKF1-16-08-1-C-SB

SERIES _____
 CONNECTOR INTERFACE _____
 ANGLE _____
 SHELL SIZE (TABLE 1) _____
 ENTRY SIZE (TABLE 2) _____
 MATERIAL _____
 ALUMINIUM ALLOY _____
 FINISH (TABLE 3) _____
 UB - UNSCREENED BOOT _____
 SB - SCREENED BOOT _____

For tooling and assembly instructions see www.polamco.com

Backshell supplied pre-terminated as a single part construction, with a Magna-Form braid tail and pre-installed Heat Shrink Boot. Conductive adhesive ensures electrical continuity between cable screen and backshell braid tail. Hot melt adhesive provides a sealed bond onto the cable jacket.

DRAWING NOT TO SCALE, DIMENSIONS IN MM

SEE PAGES 18-26 FOR COMPLETE LIST OF AVAILABLE MATERIALS, FINISHES AND CONNECTOR INTERFACES (DIMENSIONS, FORM AND O RING SUBJECT TO CHANGE DEPENDING ON BACKSHELL MATERIAL AND CONNECTOR INTERFACE)

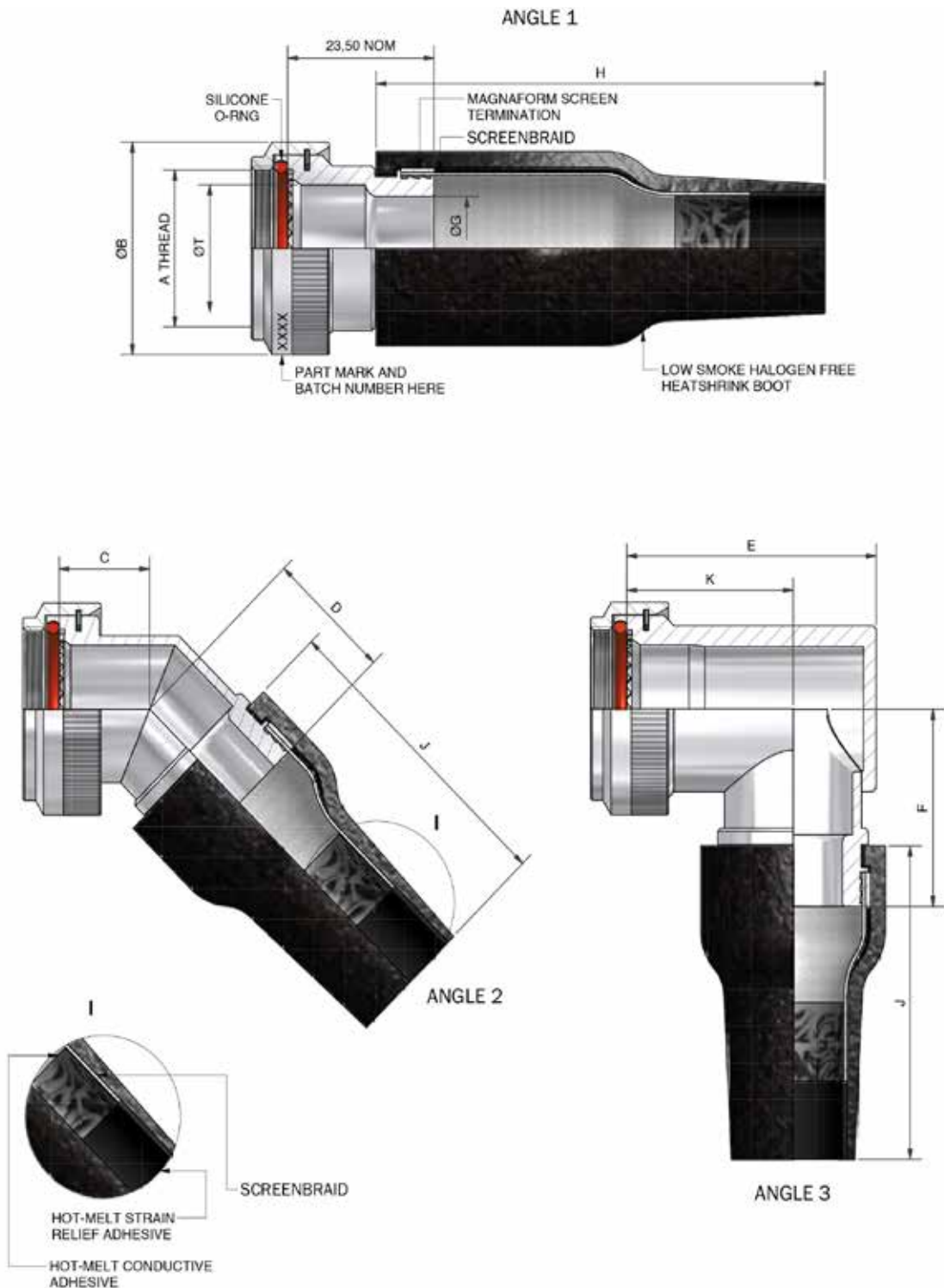
TAKH - Heat Shrink Backshell Kit

Interface H - MIL-DTL-38999 SERIES III & IV



Please note that TAK kits are not RoHS compliant

Interconnect Solutions Worldwide



DRAWING NOT TO SCALE, DIMENSIONS IN MM

SEE PAGES 18-26 FOR COMPLETE LIST OF AVAILABLE MATERIALS, FINISHES AND CONNECTOR INTERFACES (DIMENSIONS, FORM AND O RING SUBJECT TO CHANGE DEPENDING ON BACKSHELL MATERIAL AND CONNECTOR INTERFACE)

TAKH - Heat Shrink Backshell Kit

Interface H - MIL-DTL-38999 SERIES III & IV



Interconnect Solutions Worldwide

TABLE 1

SHELL SIZE	A THREAD	ØB MAX	ØT MIN	C MAX	D ±0,5	E MAX	F MAX	K ±0,5
09	M12 x 1,0	18,0	6,7	13,1	17,1	25,7	24,0	17,5
11	M15 x 1,0	21,0	10,2	13,9	18,2	26,7	25,7	17,5
13	M18 x 1,0	24,5	13,5	14,5	18,6	31,2	27,2	20,0
15	M22 x 1,0	27,5	16,2	15,5	19,5	37,2	28,7	24,5
17	M25 x 1,0	31,0	19,4	16,1	20,3	40,2	30,4	26,7
19	M28 x 1,0	34,0	21,8	16,8	20,8	44,7	32,0	27,0
21	M31 x 1,0	37,0	25,1	17,1	21,7	49,2	33,6	30,5
23	M34 x 1,0	40,0	28,2	17,7	22,0	51,7	35,1	31,5
25	M37 x 1,0	43,5	31,4	18,4	22,9	53,2	36,6	28,5

TABLE 2

ENTRY SIZE	ØG MIN	H LENGTH	J LENGTH	CABLE DIA RANGE
05	7,9	60	40	4,5 – 9,0
08	12,7	60	40	6,0 – 12,0
10	15,8	72	48	7,5 – 15,0
12	19,0	72	48	9,0 – 18,0
16	25,4	95	55	10,0 – 25,0
20	31,8	125	70	12,5 – 30,0
24	38,1	125	70	15,0 – 36,0

TABLE 3

CODE	FINISH
C	ELECTROLESS NICKEL
B	CADMIUM OLIVE DRAB OVER ELECTROLESS NICKEL
ZB	ZINC COBALT OLIVE DRAB OVER ELECTROLESS NICKEL
ZN	ZINC NICKEL BLACK PASSIVATE OVER ELECTROLESS NICKEL

LIST NOT EXHAUSTIVE, SEE PLATING TABLE FOR OTHER OPTIONS

TAKH1-17-08-1-C-SB

SERIES _____
 CONNECTOR INTERFACE _____
 ANGLE _____
 SHELL SIZE (TABLE 1) _____
 ENTRY SIZE (TABLE 2) _____
 MATERIAL _____
 ALUMINIUM ALLOY _____
 FINISH (TABLE 3) _____
 UB - UNSCREENED BOOT _____
 SB - SCREENED BOOT _____

For tooling and assembly instructions see www.polamco.com

Backshell supplied pre-terminated as a single part construction, with a Magna-Form braid tail and pre-installed Heat Shrink Boot. Conductive adhesive ensures electrical continuity between cable screen and backshell braid tail. Hot melt adhesive provides a sealed bond onto the cable jacket.

DRAWING NOT TO SCALE, DIMENSIONS IN MM

SEE PAGES 18-26 FOR COMPLETE LIST OF AVAILABLE MATERIALS, FINISHES AND CONNECTOR INTERFACES (DIMENSIONS, FORM AND O RING SUBJECT TO CHANGE DEPENDING ON BACKSHELL MATERIAL AND CONNECTOR INTERFACE)

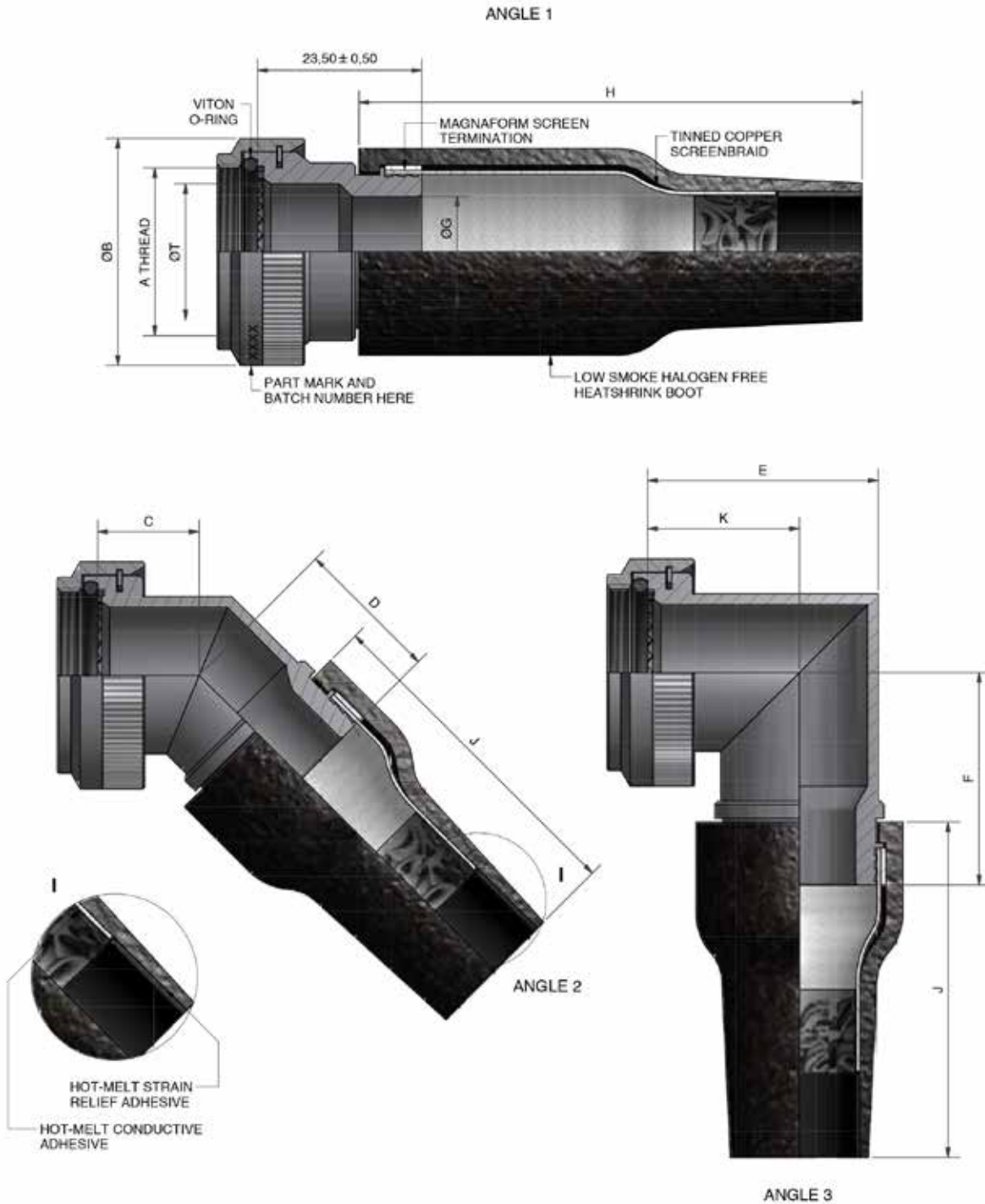
TAK (SS) - Heat Shrink Backshell Kit Stainless Steel

Interface H - MIL-DTL-38999 SERIES III & IV

Please note that TAK kits are not RoHS compliant



Interconnect Solutions Worldwide



DRAWING NOT TO SCALE, DIMENSIONS IN MM

SEE PAGES 18-26 FOR COMPLETE LIST OF AVAILABLE MATERIALS, FINISHES AND CONNECTOR INTERFACES
(DIMENSIONS, FORM AND O RING SUBJECT TO CHANGE DEPENDING ON BACKSHELL MATERIAL AND CONNECTOR INTERFACE)

TAK (SS) - Heat Shrink Backshell Kit Stainless Steel

Interface H - MIL-DTL-38999 SERIES III & IV



Interconnect Solutions Worldwide

TABLE 1

SHELL SIZE	A THREAD	ØB MAX	ØT MIN	C MAX	D ±0,5	E MAX	F MAX	K ±0,5
09	M12x1.0	18,0	6,7	13,1	17,1	21,5	24,0	16,3
11	M15x1.0	21,0	10,2	13,9	18,2	24,6	25,7	17,2
13	M18x1.0	24,5	13,5	14,5	18,6	28,6	27,2	19,4
15	M22x1.0	27,5	16,2	15,5	19,5	31,3	28,7	21,0
17	M25x1.0	31,0	19,4	16,1	20,3	34,5	30,4	22,8
19	M28x1.0	34,0	21,8	16,8	20,8	38,7	32,0	25,3
21	M31x1.0	37,0	25,1	17,1	21,7	41,0	33,6	26,1
23	M34x1.0	40,0	28,2	17,7	22,0	43,9	35,1	27,6
25	M37x1.0	43,5	31,4	18,4	22,9	46,7	36,6	29,1

TABLE 2

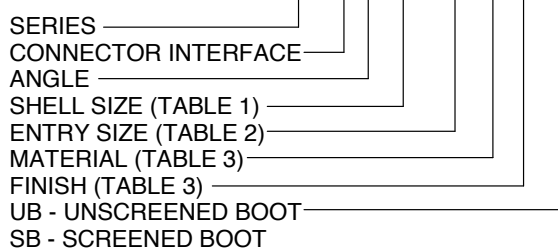
ENTRY SIZE	ØG	H LENGTH	J LENGTH	CABLE DIA RANGE
05	7,9	60	40	4,5-9,0
08	12,7	60	40	6,0-12,0
10	15,8	72	48	7,5-15,0
12	19,0	72	48	9,0-18,0
16	25,4	95	55	10,0-25,0
20	31,8	125	70	12,5-30,0
24	38,1	125	70	15,0-36,0

TABLE 3

CODE	MATERIAL / FINISH
4-J	STAINLESS STEEL 303S31 / PASSIVATE
46-J	STAINLESS STEEL 316 / PASSIVATE

LIST NOT EXHAUSTIVE, SEE PLATING TABLE FOR OTHER OPTIONS

TAKH1-17-08-4-J-UB



For tooling and assembly instructions see www.palamco.com

Backshell supplied pre-terminated as a single part construction, with a Magna-Form braid tail and pre-installed Heat Shrink Boot. Conductive adhesive ensures electrical continuity between cable screen and backshell braid tail. Hot melt adhesive provides a sealed bond onto the cable jacket.

DRAWING NOT TO SCALE, DIMENSIONS IN MM

SEE PAGES 18-26 FOR COMPLETE LIST OF AVAILABLE MATERIALS, FINISHES AND CONNECTOR INTERFACES (DIMENSIONS, FORM AND O RING SUBJECT TO CHANGE DEPENDING ON BACKSHELL MATERIAL AND CONNECTOR INTERFACE)

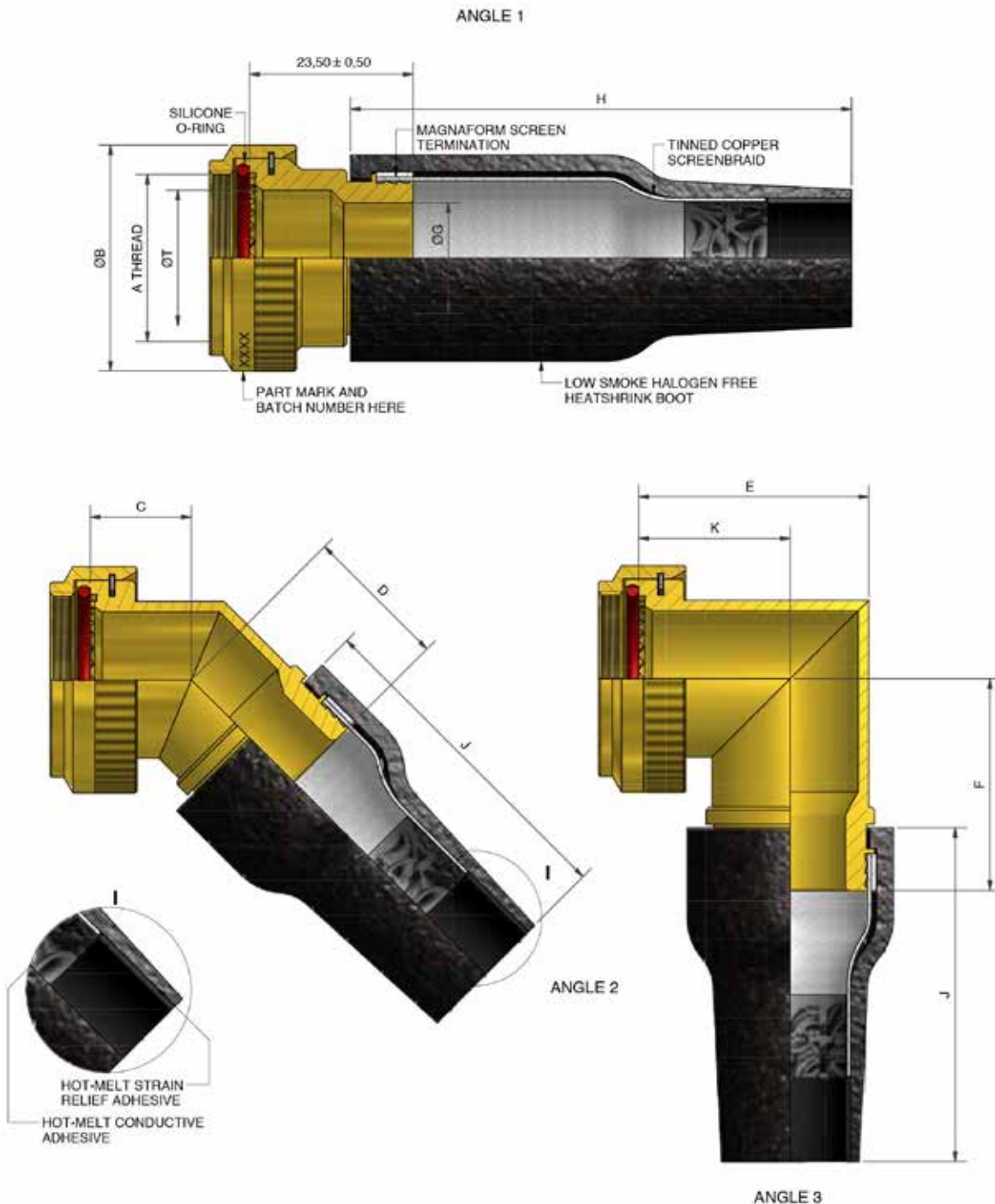
TAK (NB) - Heat Shrink Backshell Kit Nickel Aluminium Bronze

Interface H - MIL-DTL-38999 SERIES III & IV

Please note that TAK kits are not RoHS compliant



Interconnect Solutions Worldwide



DRAWING NOT TO SCALE, DIMENSIONS IN MM

SEE PAGES 18-26 FOR COMPLETE LIST OF AVAILABLE MATERIALS, FINISHES AND CONNECTOR INTERFACES
(DIMENSIONS, FORM AND O RING SUBJECT TO CHANGE DEPENDING ON BACKSHELL MATERIAL AND CONNECTOR INTERFACE)

TAK (NB) - Heat Shrink Backshell Kit Nickel Aluminium Bronze

Interface H - MIL-DTL-38999 SERIES III & IV



Interconnect Solutions Worldwide

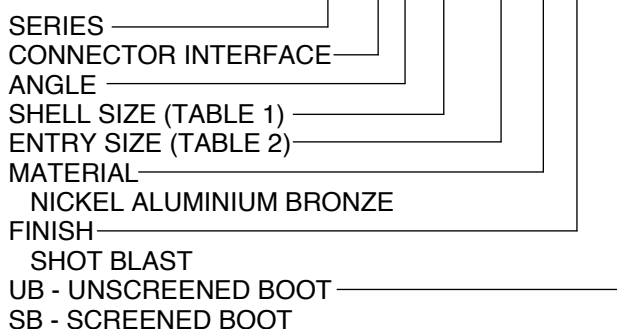
TABLE 1

SHELL SIZE	A THREAD	ØB MAX	ØT MIN	C MAX	D ±0,5	E MAX	F MAX	K ±0,5
09	M12x1.0	18,0	6,7	13,1	17,1	21,5	24,0	16,3
11	M15x1.0	21,0	10,2	13,9	18,2	24,6	25,7	17,2
13	M18x1.0	24,5	13,5	14,5	18,6	28,6	27,2	19,4
15	M22x1.0	27,5	16,2	15,5	19,5	31,3	28,7	21,0
17	M25x1.0	31,0	19,4	16,1	20,3	34,5	30,4	22,8
19	M28x1.0	34,0	21,8	16,8	20,8	38,7	32,0	25,3
21	M31x1.0	37,0	25,1	17,1	21,7	41,0	33,6	26,1
23	M34x1.0	40,0	28,2	17,7	22,0	43,9	35,1	27,6
25	M37x1.0	43,5	31,4	18,4	22,9	46,7	36,6	29,1

TABLE 2

ENTRY SIZE	ØG	H LENGTH	J LENGTH	CABLE DIA RANGE
05	7,9	60	40	4,5-9,0
08	12,7	60	40	6,0-12,0
10	15,8	72	48	7,5-15,0
12	19,0	72	48	9,0-18,0
16	25,4	95	55	10,0-25,0
20	31,8	125	70	12,5-30,0
24	38,1	125	70	15,0-36,0

TAKH1-17-08-2-Z-UB



For tooling and assembly instructions see www.polamco.com

Backshell supplied pre-terminated as a single part construction, with a Magna-Form braid tail and pre-installed Heat Shrink Boot. Conductive adhesive ensures electrical continuity between cable screen and backshell braid tail. Hot melt adhesive provides a sealed bond onto the cable jacket.

DRAWING NOT TO SCALE, DIMENSIONS IN MM

SEE PAGES 18-26 FOR COMPLETE LIST OF AVAILABLE MATERIALS, FINISHES AND CONNECTOR INTERFACES (DIMENSIONS, FORM AND O RING SUBJECT TO CHANGE DEPENDING ON BACKSHELL MATERIAL AND CONNECTOR INTERFACE)

Section Index

8	Backshell Product Finder
16	Product Information
29	Screened Backshells
275	Non-Screened Backshells
323	Conduit Backshells & Conduit
333	Thread Adaptors & Extenders
1	Associated Products
356	Glossary & Terms

Non-Screened Backshells

Polamco design and manufacture the following Non-Screened Backshells:

Non Screened

96 Series

77 Series

37 Series

86 Series

97 Series

76 Series

VG Series

98 Series

Characteristics

- All parts machined from solid material for reliable strength and performance
- Available in all materials and straight, 45° or 90° options
- Compatible with MIL-Spec dimensions and performance
- Options to use Heat Shrink Boots



96 Series



97 Series

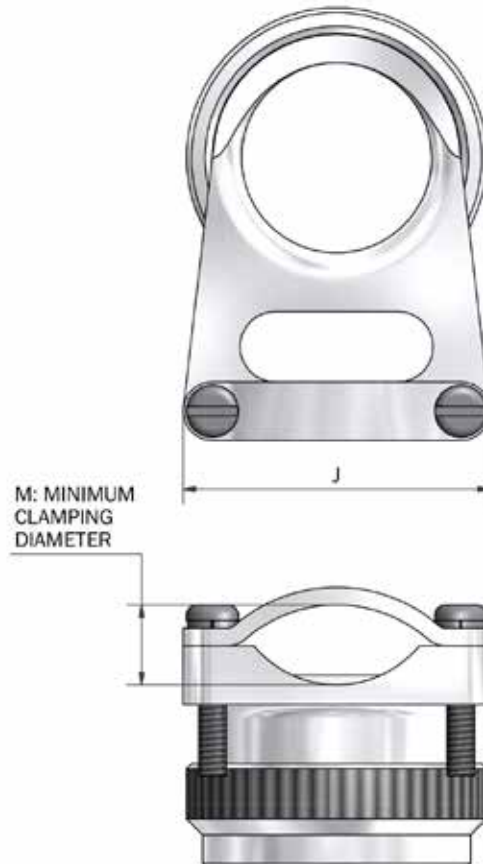
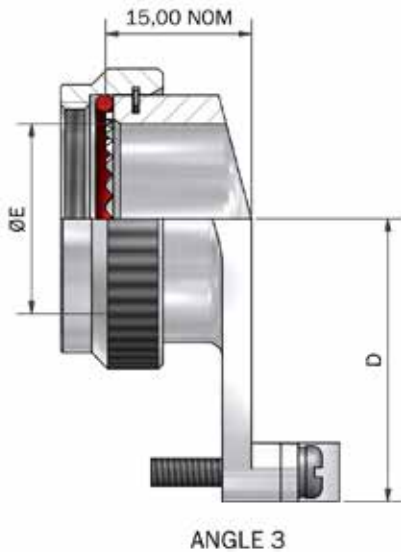
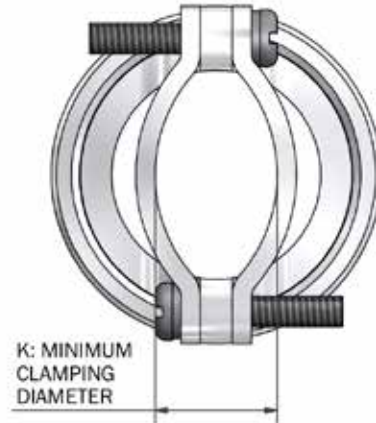
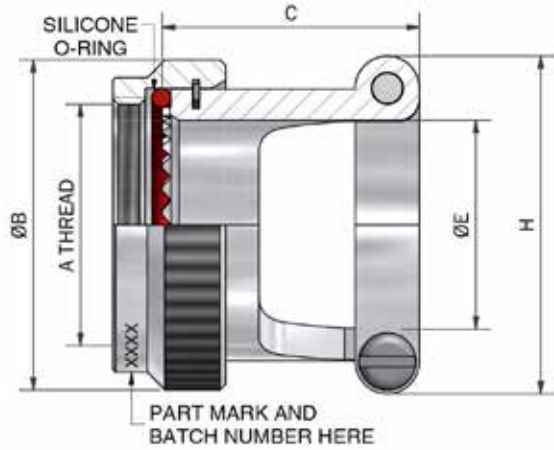
96F - Cable Clamp Backshell

Interface F - MIL-DTL-38999 SERIES I & II



Interconnect Solutions Worldwide

STRAIN RELIEF



NOTE
FASTENERS MATERIAL (STAINLESS STEEL)

DRAWING NOT TO SCALE, DIMENSIONS IN MM

See pages 18-26 for complete list of available materials, finishes and Connector interfaces
(dimensions, form and O Ring subject to change depending on Backshell material and Connector interface)

96F - Cable Clamp Backshell

Interface F - MIL-DTL-38999 SERIES I & II



Interconnect Solutions Worldwide

STRAIN RELIEF

TABLE 1

DASH NO.	SHELL SIZE SERIES I	SHELL SIZE SERIES II	A THREAD	ØB MAX	C MAX	D MAX	ØE MIN	H MAX	J MAX	K ±0,5 CLAMPING DIAMETER	M ±0,5 CLAMPING DIAMETER
08	09	08	7/16-28 UNEF	18,3	21,5	18,8	6,7	19,0	19,0	5,7	4,7
10	11	10	9/16-24 UNEF	21,5	21,5	21,1	10,1	22,2	22,2	6,9	5,3
12	13	12	11/16-24 UNEF	24,5	23,5	23,1	13,0	25,2	25,2	8,5	5,8
14	15	14	13/16-20 UNEF	27,8	23,5	25,5	16,1	28,5	28,5	10,4	7,7
16	17	16	15/16-20 UNEF	30,8	24,5	29,1	19,3	31,7	31,7	11,4	8,2
18	19	18	1 1/16-18 UNEF	34,1	27,5	35,1	21,8	34,9	34,9	14,9	9,7
20	21	20	1 3/16-18 UNEF	37,3	34,5	37,7	25,2	38,0	38,0	16,8	10,7
22	23	22	1 5/16-18 UNEF	40,5	34,5	39,8	28,1	42,8	41,2	23,9	11,8
24	25	24	1 7/16-18 UNEF	43,7	34,5	42,0	31,3	46,0	44,4	22,8	12,7

TABLE 2

CODE	FINISH
C	ELECTROLESS NICKEL
B	CADMIUM OLIVE DRAB OVER ELECTROLESS NICKEL
ZB	ZINC COBALT OLIVE DRAB OVER ELECTROLESS NICKEL
ZN	ZINC NICKEL BLACK PASSIVATE OVER ELECTROLESS NICKEL
G	BLACK ANODISE, SULPHURIC

LIST NOT EXHAUSTIVE, SEE PLATING TABLE FOR OTHER OPTIONS

96F1-16-1-C

SERIES _____
CONNECTOR INTERFACE _____
ANGLE _____
DASH NO. (TABLE 1) _____
MATERIAL _____
ALUMINIUM ALLOY _____
FINISH (TABLE 2) _____

DRAWING NOT TO SCALE, DIMENSIONS IN MM

See pages 18-26 for complete list of available materials, finishes and Connector interfaces (dimensions, form and O Ring subject to change depending on Backshell material and Connector interface)

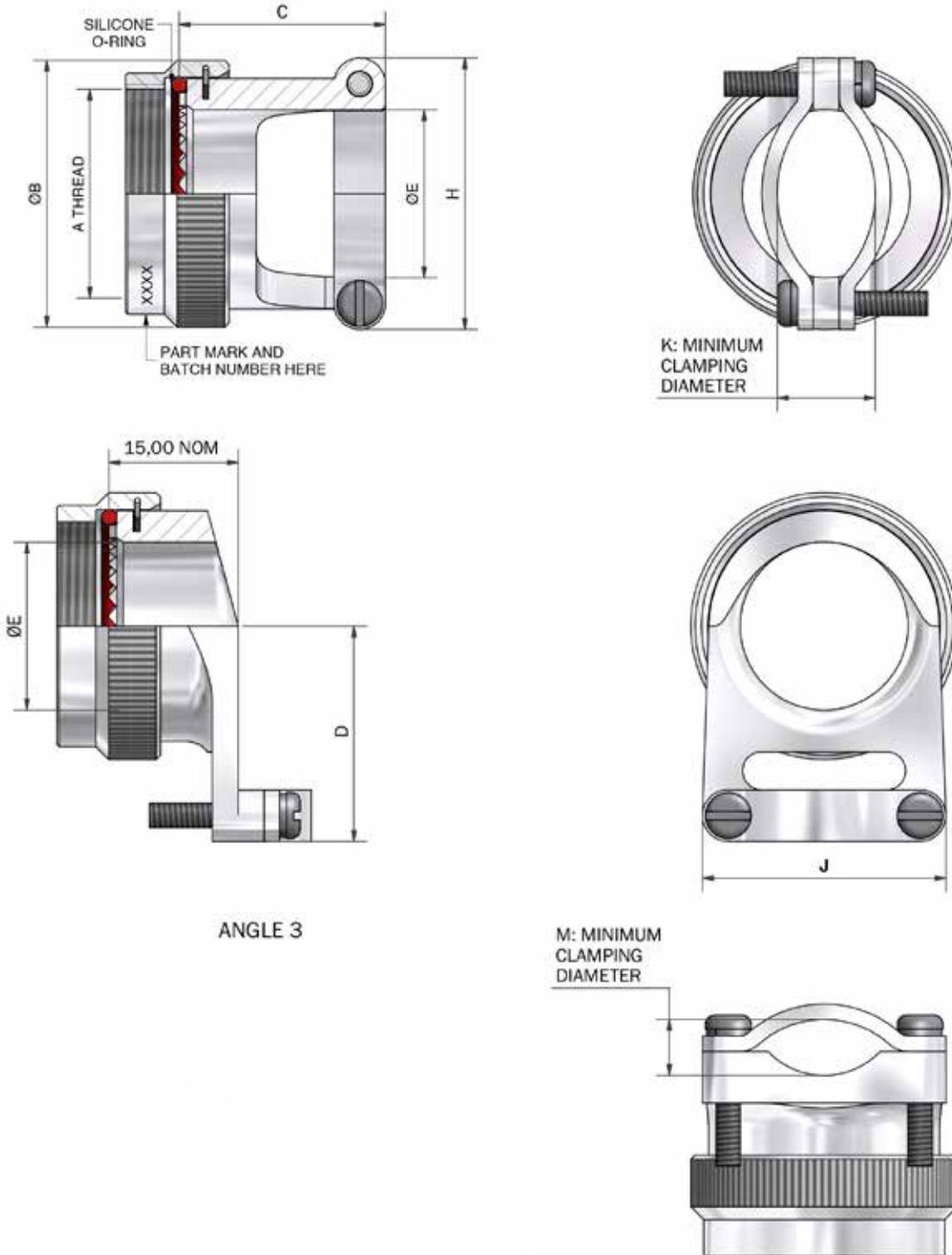
96H - Cable Clamp Backshell

Interface H - MIL-DTL-38999 SERIES III & IV



Interconnect Solutions Worldwide

STRAIN RELIEF



DRAWING NOT TO SCALE, DIMENSIONS IN MM

See pages 18-26 for complete list of available materials, finishes and Connector interfaces
(dimensions, form and O Ring subject to change depending on Backshell material and Connector interface)

96H - Cable Clamp Backshell

Interface H - MIL-DTL-38999 SERIES III & IV



Interconnect Solutions Worldwide

STRAIN RELIEF

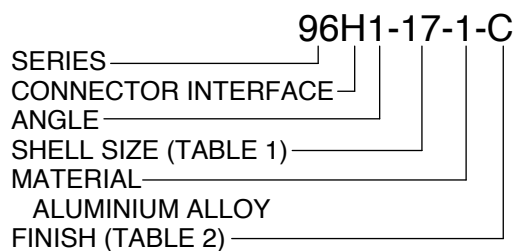
TABLE 1

SHELL SIZE	A THREAD	ØB MAX	C MAX	D MAX	ØE MIN	H MAX	J MAX	K ±0,5 CLAMPING DIAMETER	M ±0,5 CLAMPING DIAMETER
09	M12 x 1.0	18,0	21,5	20,4	6,7	19,0	20,6	5,7	5,2
11	M15 x 1.0	21,0	21,5	21,4	10,1	22,2	22,2	6,9	5,2
13	M18 x 1.0	24,5	23,5	22,4	13,0	25,2	23,7	8,5	5,6
15	M22 x 1.0	27,5	23,5	23,4	16,1	28,5	26,9	10,4	6,4
17	M25 x 1.0	31,0	24,5	25,4	19,3	31,7	28,5	11,4	6,5
19	M28 x 1.0	34,0	27,5	27,9	21,8	34,9	31,7	14,9	7,0
21	M31 x 1.0	37,0	34,5	31,9	25,2	38,0	34,9	16,8	8,5
23	M34 x 1.0	40,0	37,5	35,4	28,1	42,8	38,0	23,9	9,4
25	M37 x 1.0	43,5	37,5	36,4	31,3	46,0	38,0	22,8	9,4

TABLE 2

CODE	FINISH
C	ELECTROLESS NICKEL
B	CADMIUM OLIVE DRAB OVER ELECTROLESS NICKEL
ZB	ZINC COBALT OLIVE DRAB OVER ELECTROLESS NICKEL
ZN	ZINC NICKEL BLACK PASSIVATE OVER ELECTROLESS NICKEL
G	BLACK ANODISE, SULPHURIC

LIST NOT EXHAUSTIVE, SEE PLATING TABLE FOR OTHER OPTIONS



DRAWING NOT TO SCALE, DIMENSIONS IN MM

See pages 18-26 for complete list of available materials, finishes and Connector interfaces (dimensions, form and O Ring subject to change depending on Backshell material and Connector interface)

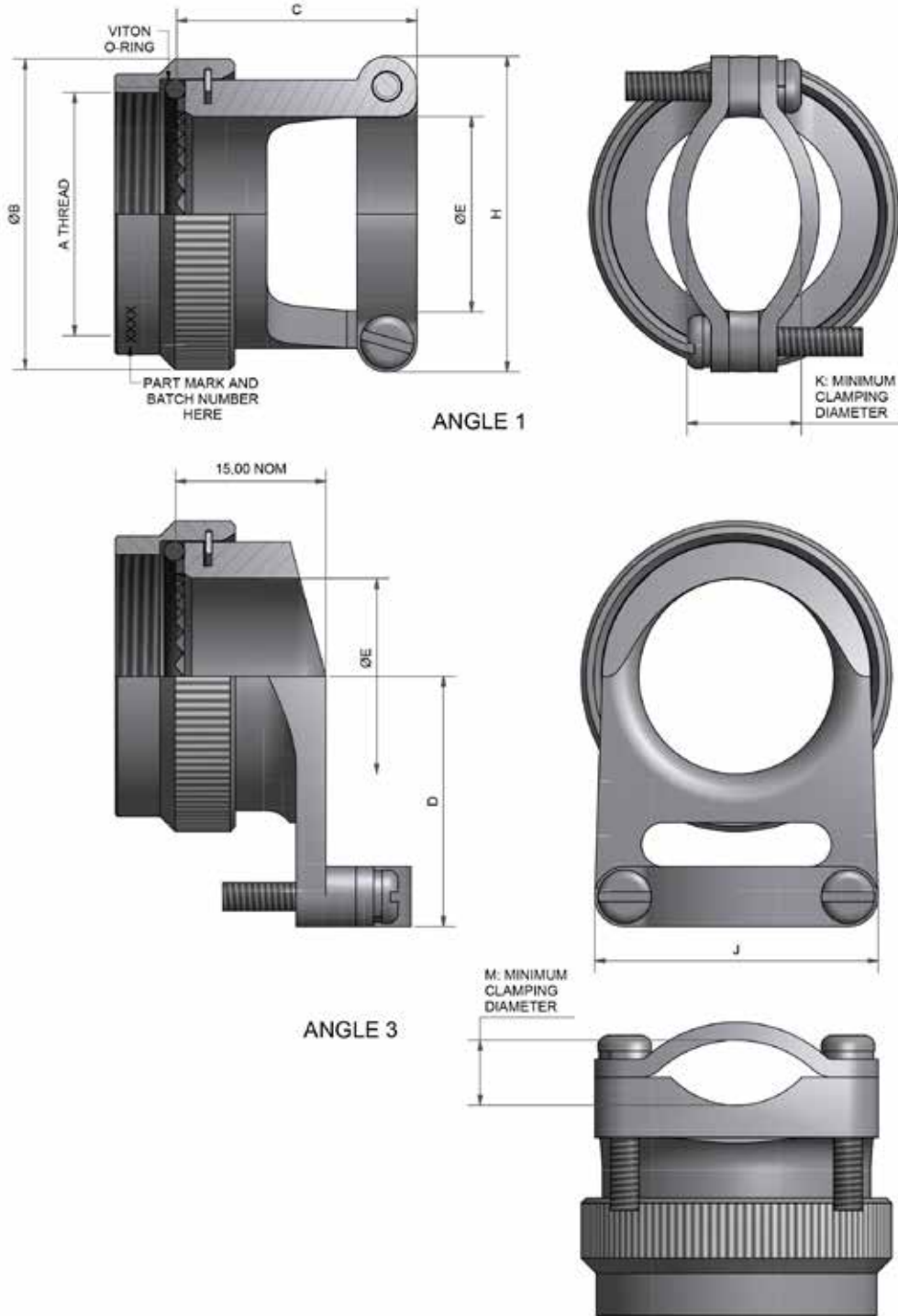
96H (SS) - Cable Clamp Backshell Stainless Steel

Interface H - MIL-DTL-38999 SERIES III & IV



Interconnect Solutions Worldwide

STRAIN RELIEF



DRAWING NOT TO SCALE, DIMENSIONS IN MM

See pages 18-26 for complete list of available materials, finishes and Connector interfaces
(dimensions, form and O Ring subject to change depending on Backshell material and Connector interface)

96H (SS) - Cable Clamp Backshell Stainless Steel

Interface H - MIL-DTL-38999 SERIES III & IV



Interconnect Solutions Worldwide

STRAIN RELIEF

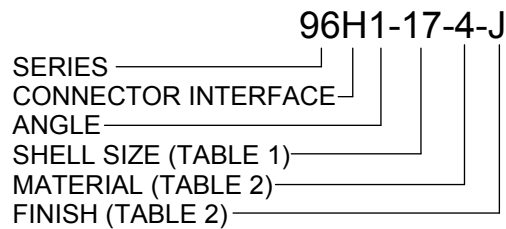
TABLE 1

SHELL SIZE	A THREAD	ØB MAX	ØE MIN	C ±0,25	D MAX	H MAX	J MAX	K ±0,5	M ±0,5
09	M12 x 1,0	18,0	6,6	21,0	20,5	19,0	20,6	5,7	5,4
11	M15 x 1,0	21,0	10,1	21,0	21,5	22,2	22,2	6,9	5,5
13	M18 x 1,0	24,5	13,0	23,0	22,5	25,2	23,7	8,5	5,8
15	M22 x 1,0	27,5	16,1	23,0	23,5	28,5	26,9	10,4	6,6
17	M25 x 1,0	31,0	19,3	24,0	25,5	31,7	28,5	11,4	6,7
19	M28 x 1,0	34,0	21,8	27,0	28,0	34,9	31,7	14,9	7,2
21	M31 x 1,0	37,0	25,2	34,0	31,8	38,0	34,9	16,8	8,7
23	M34 x 1,0	40,0	28,1	37,0	33,3	42,8	38,0	23,9	9,7
25	M37 x 1,0	43,5	31,3	37,0	33,3	46,0	38,0	22,8	9,7

TABLE 2

CODE	MATERIAL / FINISH
4-J	STAINLESS STEEL 303S31 / PASSIVATE
46-J	STAINLESS STEEL 316 / PASSIVATE

LIST NOT EXHAUSTIVE, SEE PLATING TABLE FOR OTHER OPTIONS



DRAWING NOT TO SCALE, DIMENSIONS IN MM

See pages 18-26 for complete list of available materials, finishes and Connector interfaces
(dimensions, form and O Ring subject to change depending on Backshell material and Connector interface)

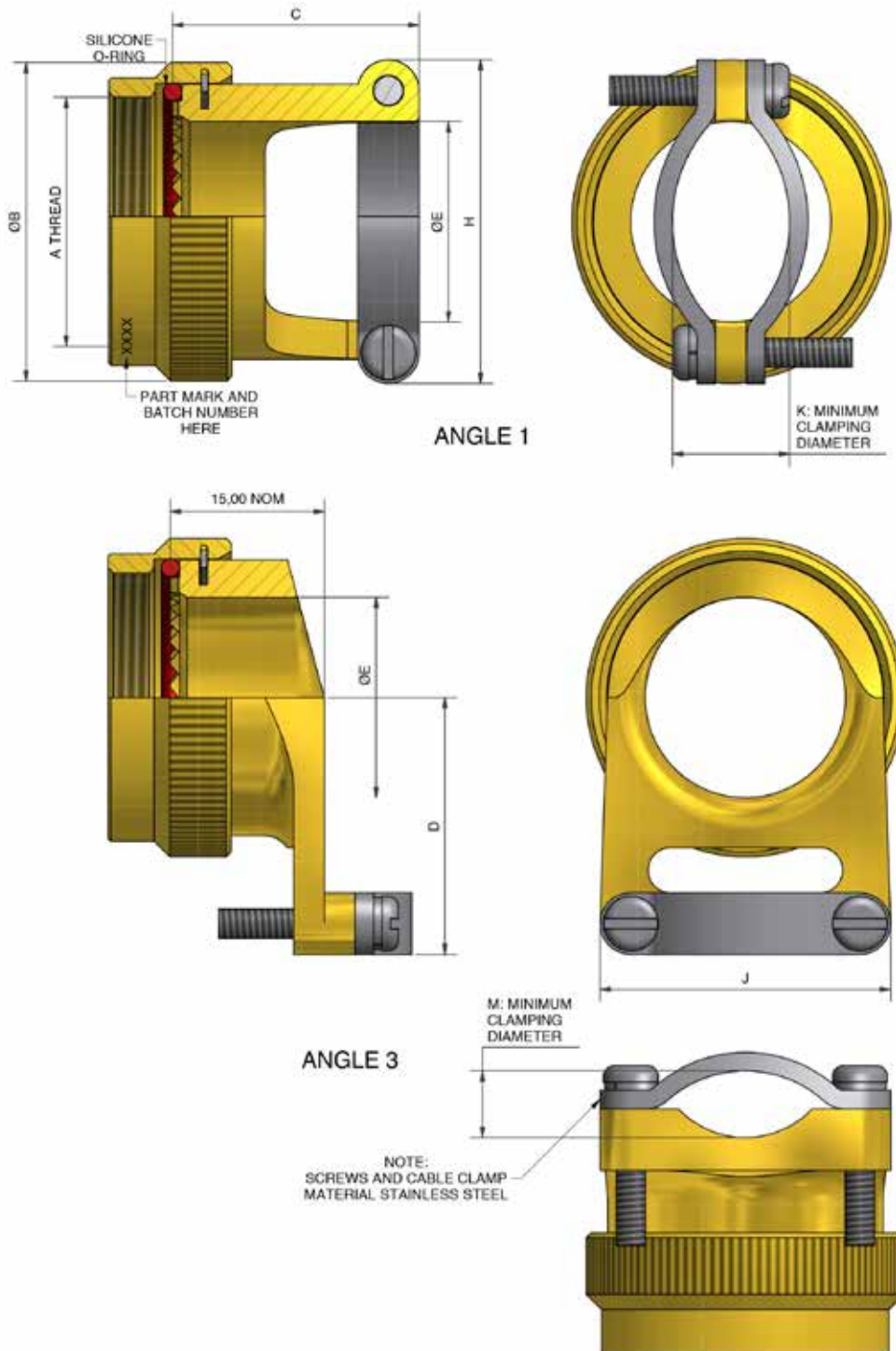
96H (NB) - Cable Clamp Backshell Nickel Aluminium Bronze

Interface H - MIL-DTL-38999 SERIES III & IV



Interconnect Solutions Worldwide

STRAIN RELIEF



DRAWING NOT TO SCALE, DIMENSIONS IN MM

See pages 18-26 for complete list of available materials, finishes and Connector interfaces
(dimensions, form and O Ring subject to change depending on Backshell material and Connector interface)

96H (NB) - Cable Clamp Backshell Nickel Aluminium Bronze

Interface H - MIL-DTL-38999 SERIES III & IV



Interconnect Solutions Worldwide

TABLE 1

SHELL SIZE	A	ØB	ØE	C	D	H	J	K	M
	THREAD	MAX	MIN	MAX	MAX	MAX	MAX	±0,5	±0,5
09	M12 x 1,0	18,0	6,6	21,0	20,3	19,0	20,6	5,7	5,4
11	M15 x 1,0	21,0	10,1	21,0	22,1	22,2	22,2	6,9	5,5
13	M18 x 1,0	24,5	13,0	23,0	23,6	25,2	23,7	8,5	5,8
15	M22 x 1,0	27,5	16,1	23,0	25,4	28,5	26,9	10,4	6,6
17	M25 x 1,0	31,0	19,3	24,0	26,9	31,7	28,5	11,4	6,7
19	M28 x 1,0	34,0	21,8	27,0	31,2	34,9	31,7	14,9	7,2
21	M31 x 1,0	37,0	25,2	34,0	33,0	38,0	34,9	16,8	8,7
23	M34 x 1,0	40,0	28,1	37,0	34,5	42,8	38,0	23,9	9,7
25	M37 x 1,0	43,5	31,3	37,0	36,1	46,0	38,0	22,8	9,7

96H1-17-2-Z

SERIES _____
CONNECTOR INTERFACE _____
ANGLE _____
SHELL SIZE (TABLE 1) _____
MATERIAL _____
NICKEL ALUMINIUM BRONZE
FINISH _____
SHOT BLAST

STRAIN RELIEF

DRAWING NOT TO SCALE, DIMENSIONS IN MM

See pages 18-26 for complete list of available materials, finishes and Connector interfaces
(dimensions, form and O Ring subject to change depending on Backshell material and Connector interface)

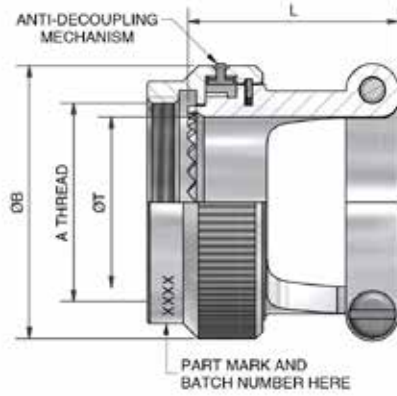
96F (AD) - Cable Clamp Backshell Anti-Decoupling

Interface F - MIL-DTL-38999 SERIES I & II



Interconnect Solutions Worldwide

STRAIN RELIEF



ANGLE 1



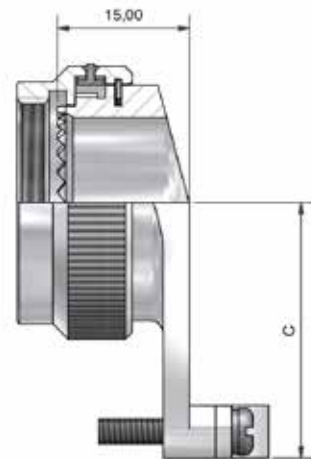
TABLE 1

DASH NO.	SHELL SIZE SERIES I	SHELL SIZE SERIES II	A THREAD	OB MAX	OT	C MAX	L MAX	K MAX	M MAX
08	09	08	7/16-28UNEF	18,0	6,8	28,0	24,5	6,2	5,2
10	11	10	9/16-24UNEF	21,0	10,3	30,0	24,5	7,4	5,8
12	13	12	11/16-24UNEF	25,0	13,2	31,0	24,5	9,0	6,3
14	15	14	13/16-20UNEF	28,0	16,3	33,0	24,5	10,9	8,2
16	17	16	15/16-20UNEF	31,0	19,5	34,4	24,5	11,9	8,7
18	19	18	1 1/16-18UNEF	34,0	22,0	36,0	27,5	15,4	10,2
20	21	20	1 3/16-18UNEF	37,0	25,4	37,6	34,5	17,3	11,2
22	23	22	1 5/16-18UNEF	40,0	28,3	39,5	34,5	24,4	12,3
24	25	24	1 7/16-18UNEF	43,5	31,5	42,0	34,5	23,3	13,2

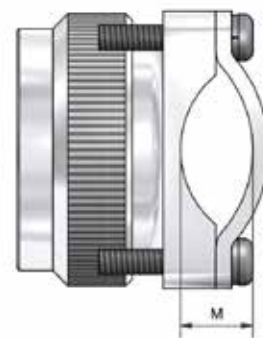
TABLE 2

CODE	MATERIAL / PLATING
1-C	ALUMINIUM / ELECTROLESS NICKEL
1-B	ALUMINIUM / CADMIUM OLIVE DRAB OVER ELECTROLESS NICKEL
1-ZB	ALUMINIUM / ZINC COBALT OLIVE DRAB OVER ELECTROLESS NICKEL
1-ZN	ALUMINIUM / ZINC NICKEL BLACK PASSIVATE OVER ELECTROLESS NICKEL
4-J	STAINLESS STEEL / PASSIVATE
2-Z	NICKEL ALUMINIUM BRONZE / SHOT BLAST

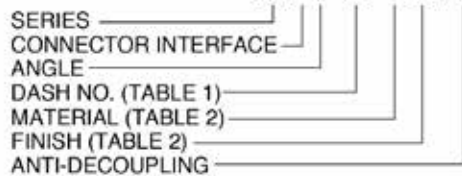
LIST NOT EXHAUSTIVE, SEE PLATING TABLE FOR OTHER OPTIONS



ANGLE 3



96F1-16-1-C-AD



DRAWING NOT TO SCALE, DIMENSIONS IN MM

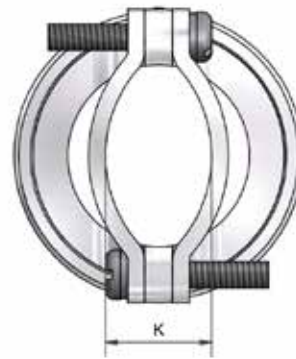
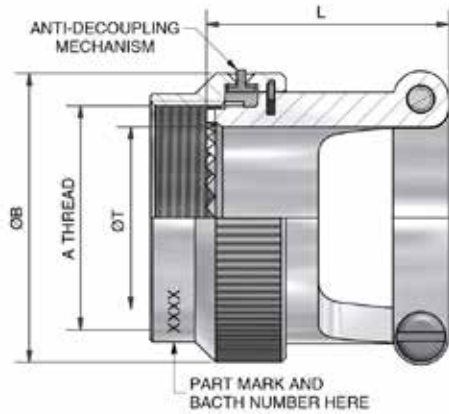
See pages 18-26 for complete list of available materials, finishes and Connector interfaces (dimensions, form and O Ring subject to change depending on Backshell material and Connector interface)

96H (AD) - Cable Clamp Backshell Anti-Decoupling

Interface H - MIL-DTL-38999 SERIES III & IV



Interconnect Solutions Worldwide



STRAIN RELIEF

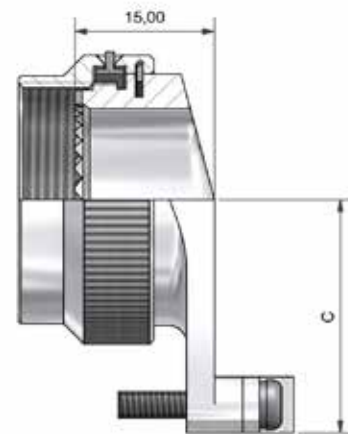
TABLE 1

SHELL SIZE	A THREAD	OB MAX	OT	C MAX	L MAX	K MAX	M MAX
09	M12 x 1.0	18,0	6,9	20,0	23,5	6,2	5,5
11	M15 x 1.0	21,0	10,3	21,0	23,5	7,4	5,5
13	M18 x 1.0	25,0	13,1	22,0	25,5	9,0	5,9
15	M22 x 1.0	28,0	16,3	23,0	25,5	10,9	6,7
17	M25 x 1.0	31,0	19,5	25,0	26,5	11,9	6,8
19	M28 x 1.0	34,0	22,0	27,5	29,5	15,4	7,3
21	M31 x 1.0	37,0	25,1	30,0	36,5	17,3	8,8
23	M34 x 1.0	40,0	28,3	31,5	39,5	24,4	9,7
25	M37 x 1.0	43,5	31,6	34,5	39,5	23,3	9,7

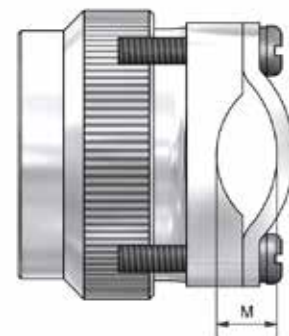
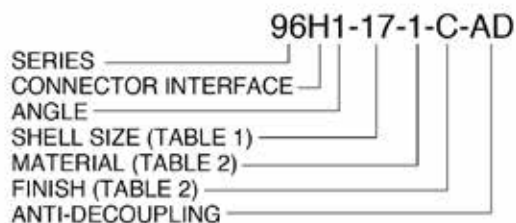
TABLE 2

CODE	MATERIAL / PLATING
1-C	ALUMINIUM / ELECTROLESS NICKEL
1-B	ALUMINIUM / CADMIUM OLIVE DRAB OVER ELECTROLESS NICKEL
1-ZB	ALUMINIUM / ZINC COBALT OLIVE DRAB OVER ELECTROLESS NICKEL
1-ZN	ALUMINIUM / ZINC NICKEL BLACK PASSIVATE OVER ELECTROLESS NICKEL
4-J	STAINLESS STEEL / PASSIVATE
2-Z	NICKEL ALUMINIUM BRONZE / SHOT BLAST

LIST NOT EXHAUSTIVE, SEE PLATING TABLE FOR OTHER OPTIONS



ANGLE 3



DRAWING NOT TO SCALE, DIMENSIONS IN MM

See pages 18-26 for complete list of available materials, finishes and Connector interfaces (dimensions, form and O Ring subject to change depending on Backshell material and Connector interface)

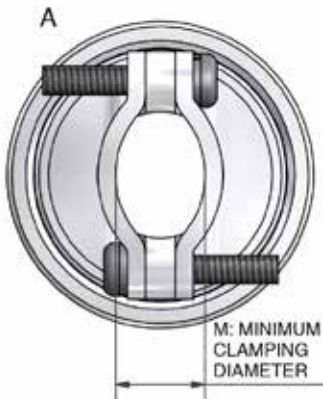
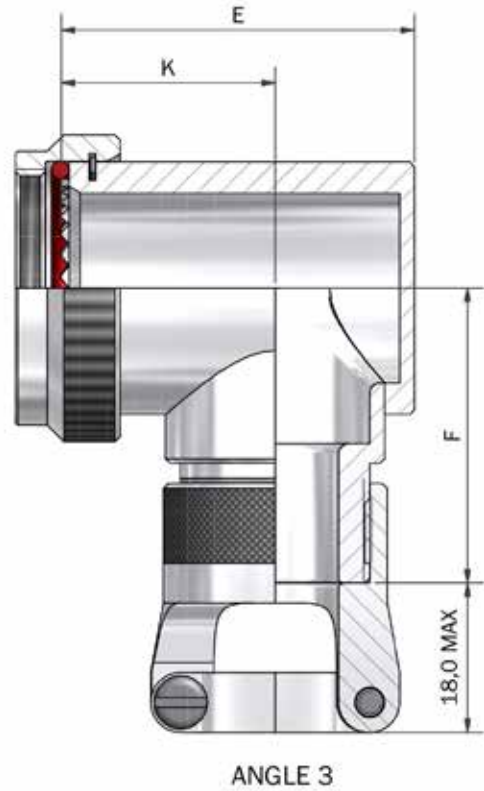
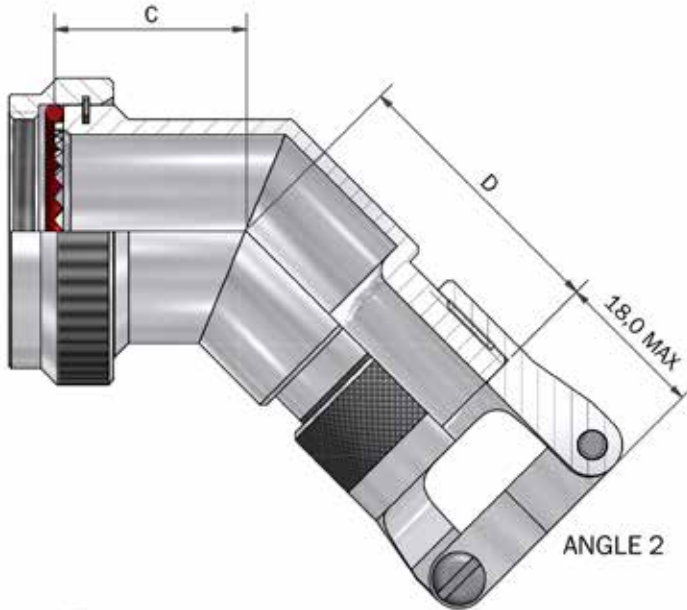
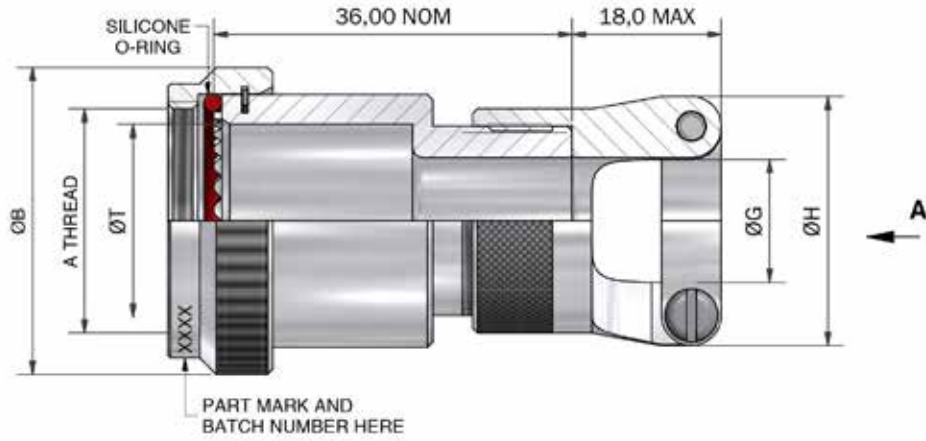
77F - Cable Clamp, Optional Entry Size

Interface F - MIL-DTL-38999 SERIES I & II



Interconnect Solutions Worldwide

STRAIN RELIEF



DRAWING NOT TO SCALE, DIMENSIONS IN MM

See pages 18-26 for complete list of available materials, finishes and Connector interfaces (dimensions, form and O Ring subject to change depending on Backshell material and Connector interface)

77F - Cable Clamp, Optional Entry Size

Interface F - MIL-DTL-38999 SERIES I & II



Interconnect Solutions Worldwide

STRAIN RELIEF

TABLE 1

DASH NO.	SHELL SIZE SERIES I	SHELL SIZE SERIES II	A THREAD	ØB MAX	ØT MIN	C MAX	D MAX	E MAX	F MAX	K ± 0,5
08	09	08	7/16-28 UNEF	18,3	6,6	16,4	24,6	22,7	25,0	15,0
10	11	10	9/16-24 UNEF	21,5	10,1	17,2	25,4	26,2	26,8	17,0
12	13	12	11/16-24 UNEF	24,5	12,9	17,6	25,8	29,2	28,3	18,0
14	15	14	13/16-20 UNEF	27,8	16,1	18,5	26,6	32,2	29,8	20,0
16	17	16	15/16-20 UNEF	30,8	19,3	19,2	27,4	35,7	31,5	21,5
18	19	18	1 1/16-18 UNEF	34,1	21,7	19,6	27,8	39,7	33,1	23,0
20	21	20	1 3/16-18 UNEF	37,3	24,9	20,4	28,6	42,2	34,7	25,0
22	23	22	1 5/16-18 UNEF	40,5	28,1	20,8	29,0	45,2	36,4	26,0
24	25	24	1 7/16-18 UNEF	43,7	31,3	21,7	29,9	48,2	37,7	28,0

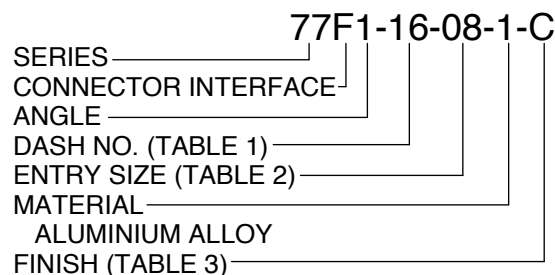
TABLE 2

ENTRY SIZE	ØG MIN	ØH MAX	M ±0,5
03	4,7	17,1	6,8
04	6,3	19,1	6,7
05	7,9	20,7	7,8
06	9,5	22,3	7,9
07	11,1	23,8	8,6
08	12,7	25,3	9,0
09	14,2	27,0	10,2
10	15,8	28,6	10,4
11	17,4	30,3	11,5
12	19,0	31,8	12,4
13	20,6	33,3	15,0
14	22,2	35,0	15,4
15	23,8	36,7	16,8
16	25,4	38,1	17,3
18	28,6	39,7	18,8
20	31,8	44,5	22,4
22	35,0	47,6	24,4
24	38,1	51,2	26,4

TABLE 3

CODE	FINISH
C	ELECTROLESS NICKEL
B	CADMIUM OLIVE DRAB OVER ELECTROLESS NICKEL
ZB	ZINC COBALT OLIVE DRAB OVER ELECTROLESS NICKEL
ZN	ZINC NICKEL BLACK PASSIVATE OVER ELECTROLESS NICKEL
G	BLACK ANODISE, SULPHURIC

LIST NOT EXHAUSTIVE, SEE PLATING TABLE FOR OTHER OPTIONS



DRAWING NOT TO SCALE, DIMENSIONS IN MM

See pages 18-26 for complete list of available materials, finishes and Connector interfaces (dimensions, form and O Ring subject to change depending on Backshell material and Connector interface)

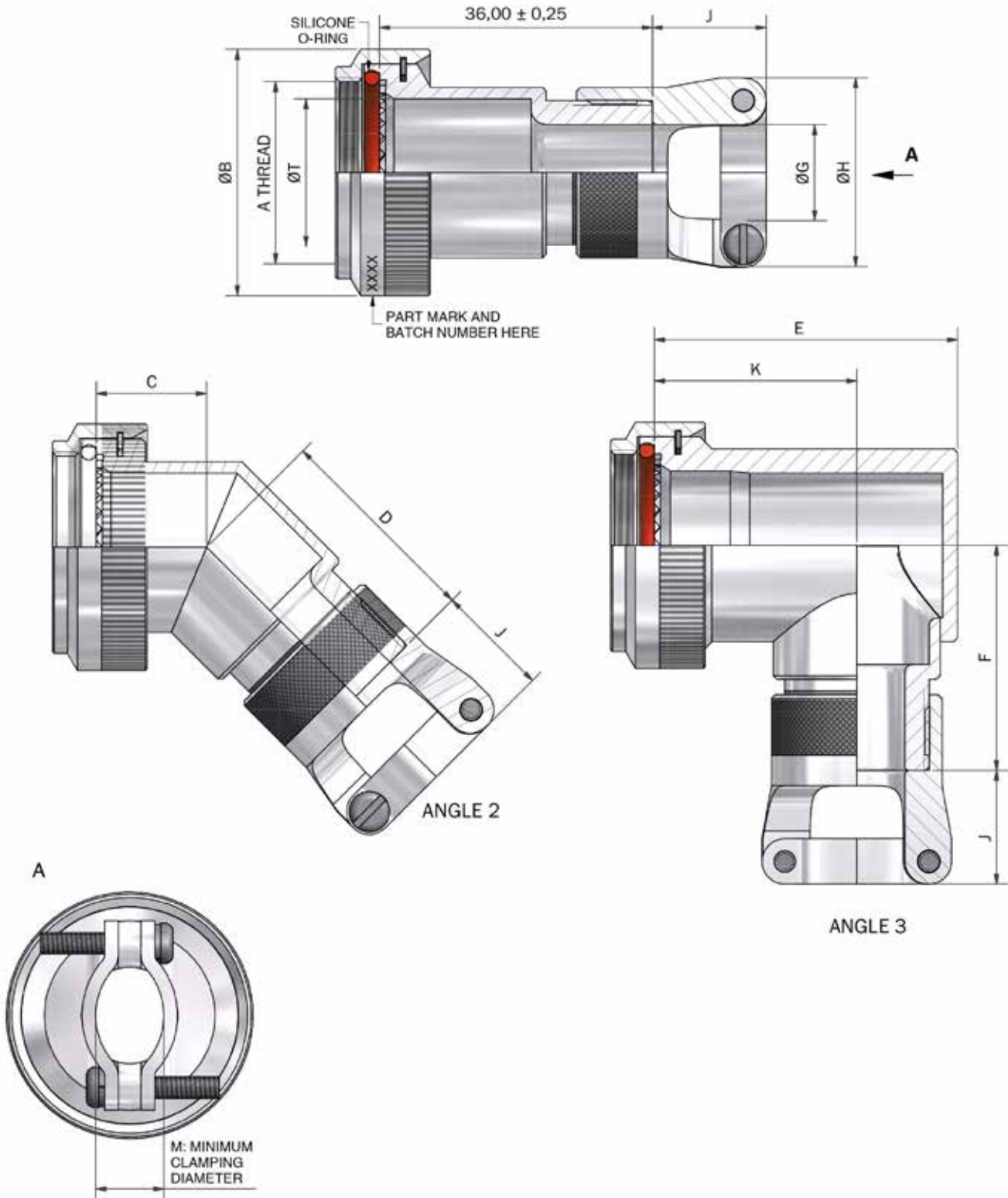
77H - Cable Clamp, Optional Entry Size

Interface H - MIL-DTL-38999 SERIES III & IV



Interconnect Solutions Worldwide

STRAIN RELIEF



DRAWING NOT TO SCALE, DIMENSIONS IN MM

See pages 18-26 for complete list of available materials, finishes and Connector interfaces
(dimensions, form and O Ring subject to change depending on Backshell material and Connector interface)

77H - Cable Clamp, Optional Entry Size

Interface H - MIL-DTL-38999 SERIES III & IV



Interconnect Solutions Worldwide

TABLE 1

SHELL SIZE	A THREAD	ØB MAX	ØT MIN	C MAX	D MAX	E MAX	F MAX	K ±0,5
09	M12 x 1.0	18,0	6,7	13,1	24,6	25,7	25,0	17,5
11	M15 x 1.0	21,0	10,2	13,9	25,4	26,7	26,8	17,5
13	M18 x 1.0	24,5	13,5	14,5	25,8	31,2	28,3	20,0
15	M22 x 1.0	29,0	16,2	15,5	26,6	37,2	29,8	24,5
17	M25 x 1.0	32,5	19,4	16,1	27,4	40,2	31,5	26,7
19	M28 x 1.0	35,5	21,8	16,8	27,8	44,7	33,1	27,0
21	M31 x 1.0	37,0	25,1	17,1	28,6	49,2	34,7	30,5
23	M34 x 1.0	40,0	28,2	17,7	29,0	51,7	36,4	31,5
25	M37 x 1.0	43,5	31,4	18,4	29,9	53,2	37,7	28,5

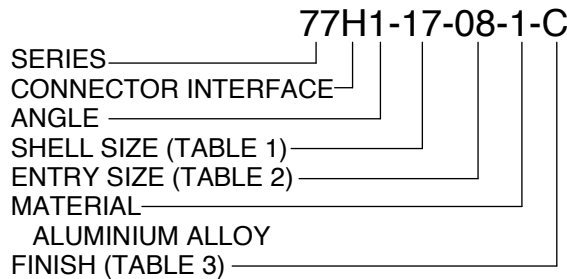
TABLE 2

ENTRY SIZE	ØG MIN	ØH MAX	M ±0,5	J MAX
03	4,7	17,1	6,8	15,0
04	6,3	19,1	6,7	15,0
05	7,9	20,7	7,8	15,0
06	9,5	22,3	7,9	15,0
07	11,1	23,8	8,6	15,0
08	12,7	25,3	9,0	15,0
09	14,2	27,0	10,2	15,0
10	15,8	28,6	10,4	15,0
11	17,4	30,3	11,5	15,0
12	19,0	31,8	12,4	15,0
13	20,6	33,3	15,0	15,0
14	22,2	35,0	15,4	18,0
15	23,8	36,7	16,8	18,0
16	25,4	38,1	17,3	18,0
18	28,6	39,7	18,8	18,0
20	31,8	44,5	22,4	18,0
22	35,0	47,6	24,4	18,0
24	38,1	51,2	26,4	18,0

TABLE 3

CODE	FINISH
C	ELECTROLESS NICKEL
B	CADMIUM OLIVE DRAB OVER ELECTROLESS NICKEL
ZB	ZINC COBALT OLIVE DRAB OVER ELECTROLESS NICKEL
ZN	ZINC NICKEL BLACK PASSIVATE OVER ELECTROLESS NICKEL
G	BLACK ANODISE, SULPHURIC

LIST NOT EXHAUSTIVE, SEE PLATING TABLE FOR OTHER OPTIONS



DRAWING NOT TO SCALE, DIMENSIONS IN MM

See pages 18-26 for complete list of available materials, finishes and Connector interfaces (dimensions, form and O Ring subject to change depending on Backshell material and Connector interface)

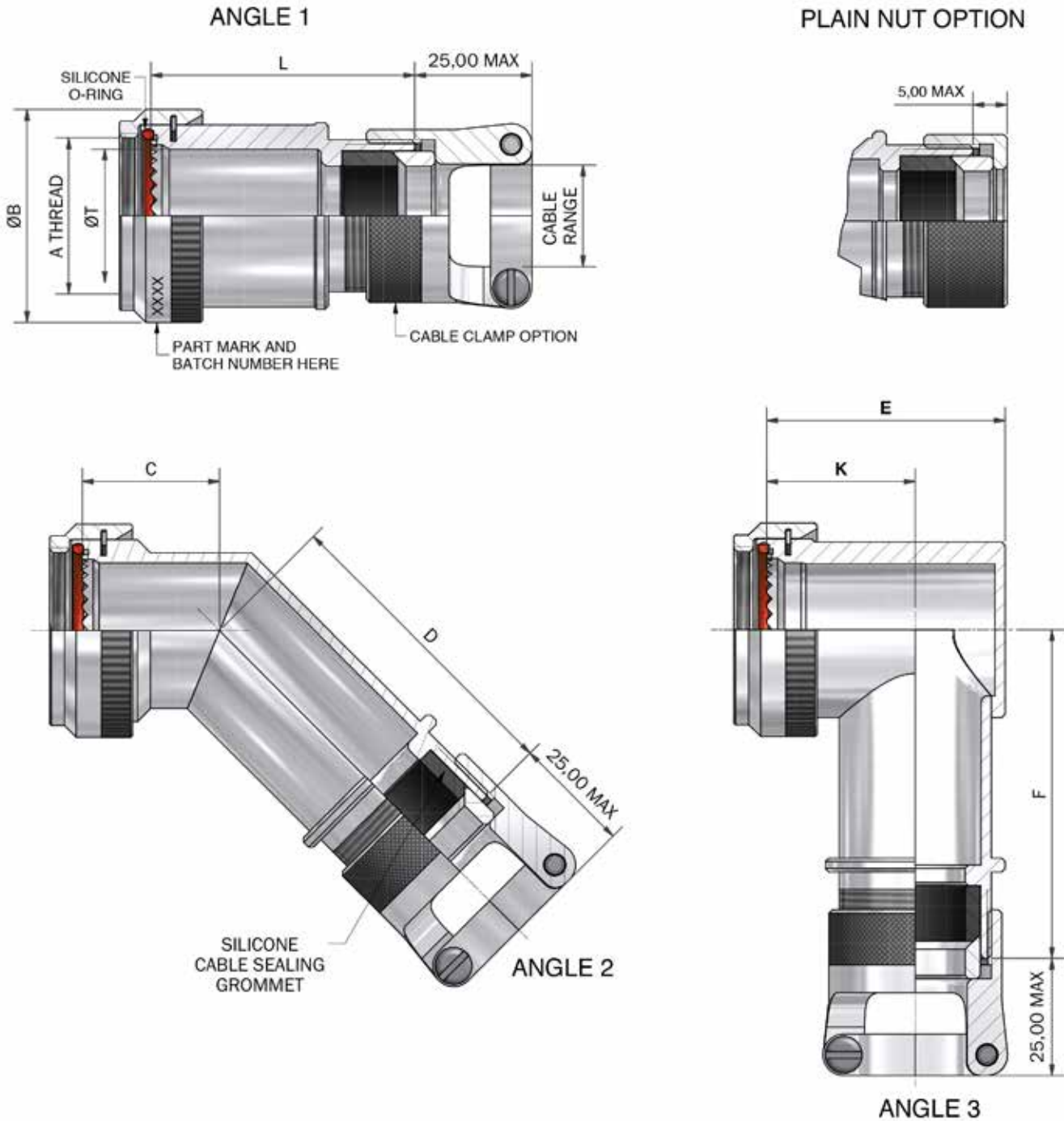
37F - Cable Sealing Backshell

Interface F - MIL-DTL-38999 SERIES I



Interconnect Solutions Worldwide

STRAIN RELIEF



See pages 18-26 for complete list of available materials, finishes and Connector interfaces
(dimensions, form and O Ring subject to change depending on Backshell material and Connector interface)

37F - Cable Sealing Backshell

Interface F - MIL-DTL-38999 SERIES I



Interconnect Solutions Worldwide

STRAIN RELIEF

TABLE 1

SHELL SIZE	A THREAD	ØB MAX	ØT MIN	MAX ENTRY	C MAX	D MAX	E MAX	F MAX	K ±0,5
09	7/16-28 UNEF	18,0	6,8	-	16,4	35,8	22,7	36,1	15,0
11	9/16-24 UNEF	21,0	10,2	04	17,2	37,3	26,2	39,1	17,0
13	11/16-24 UNEF	24,5	13,1	06	17,6	38,9	29,2	39,6	18,0
15	13/16-20 UNEF	27,8	16,2	10	18,5	41,1	32,2	41,4	20,0
17	15/16-20 UNEF	30,8	19,3	12	19,2	43,9	35,7	48,0	21,5
19	1 1/16-18 UNEF	34,1	22,3	12	19,6	48,8	39,7	50,8	23,0
21	1 3/16-18 UNEF	37,3	25,8	16	20,4	50,1	42,2	50,8	25,0
23	1 5/16-18 UNEF	41,0	28,3	16	20,8	52,6	45,2	50,8	26,0
25	1 7/16-18 UNEF	43,7	31,5	16	21,7	54,0	48,2	50,8	28,0

IF MAX ENTRY IS EXCEEDED, ADAPTOR ASSEMBLY IS STYLE T2 (SEE PAGE 18 FOR MORE INFORMATION) IN WHICH CASE DIMENSIONS C, D, E, F & K DO NOT APPLY AND MIN L IS L3

TABLE 2

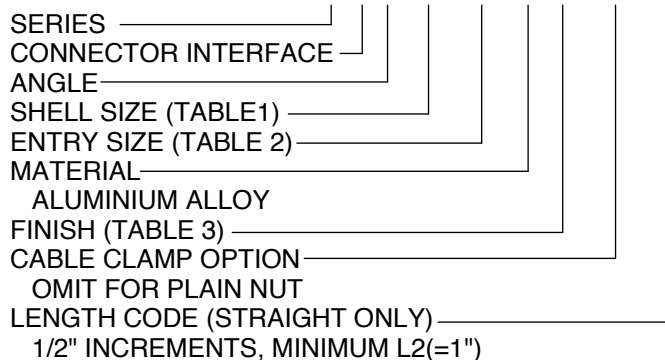
ENTRY SIZE	CABLE RANGE
04	3,2 - 7,9
06	6,4 - 11,1
08	9,8 - 14,3
10	8,9 - 15,9
12	12,7 - 19,1
16	15,9 - 23,8
20	22,2 - 31,8
24	25,4 - 34,9
28	31,8 - 41,3
32	36,5 - 47,6

TABLE 3

CODE	FINISH
C	ELECTROLESS NICKEL
B	CADMIUM OLIVE DRAB OVER ELECTROLESS NICKEL
ZB	ZINC COBALT OLIVE DRAB OVER ELECTROLESS NICKEL
ZN	ZINC NICKEL BLACK PASSIVATE OVER ELECTROLESS NICKEL
G	BLACK ANODISE, SULPHURIC

LIST NOT EXHAUSTIVE, SEE PLATING TABLE FOR OTHER OPTIONS

37F1-17-08-1-C-CC-L3



DRAWING NOT TO SCALE, DIMENSIONS IN MM

See pages 18-26 for complete list of available materials, finishes and Connector interfaces (dimensions, form and O Ring subject to change depending on Backshell material and Connector interface)

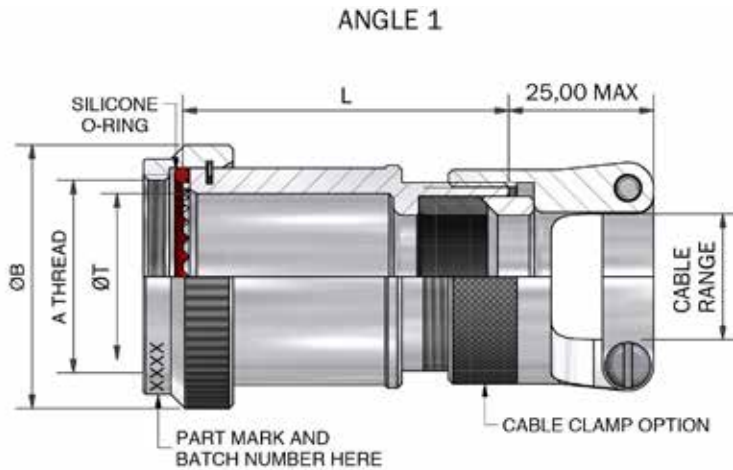
37F - Cable Sealing Backshell

Interface F - MIL-DTL-38999 SERIES II

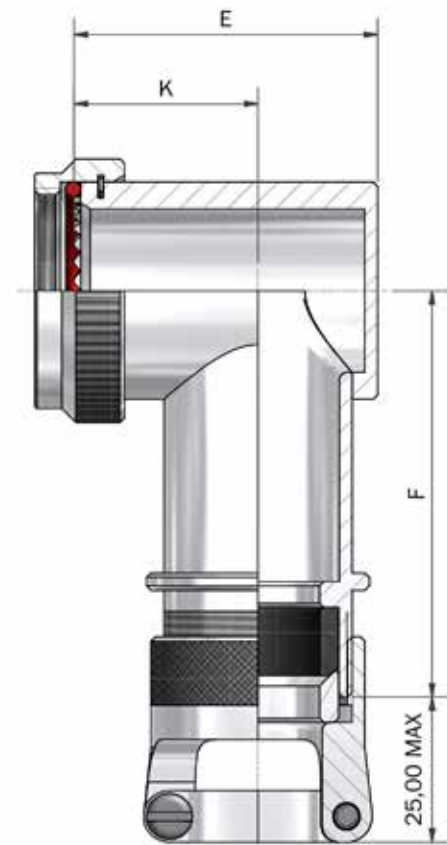
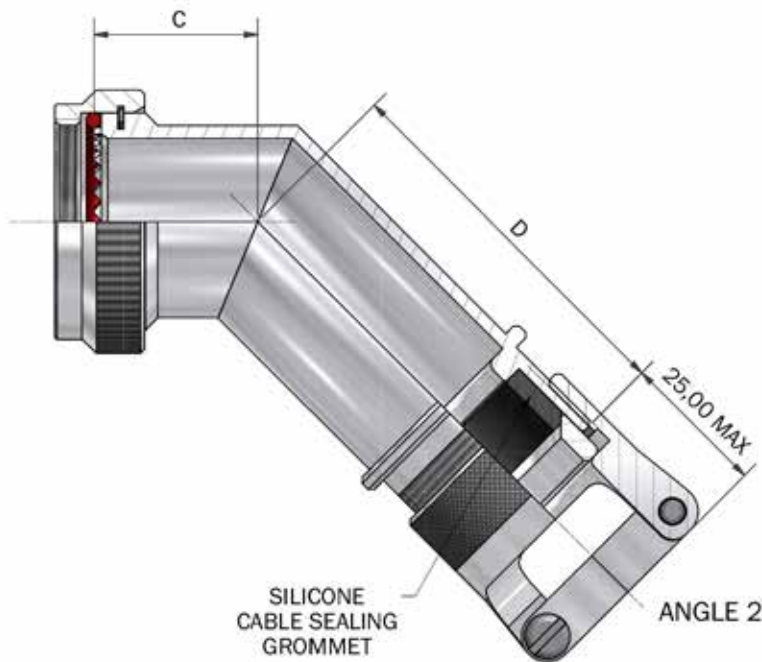
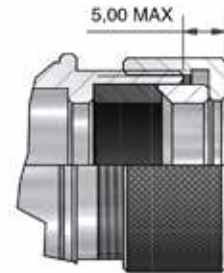


Interconnect Solutions Worldwide

STRAIN RELIEF



PLAIN NUT OPTION



See pages 18-26 for complete list of available materials, finishes and Connector interfaces
(dimensions, form and O Ring subject to change depending on Backshell material and Connector interface)

37F - Cable Sealing Backshell

Interface F - MIL-DTL-38999 SERIES II



Interconnect Solutions Worldwide

STRAIN RELIEF

TABLE 1

SHELL SIZE	A THREAD	ØB MAX	ØT MIN	MAX ENTRY	C MAX	D MAX	E MAX	F MAX	K ±0,5
08	7/16-28 UNEF	18,3	6,6	-	16,4	35,8	22,7	36,1	15,0
10	9/16-24 UNEF	21,5	10,1	04	17,2	37,3	26,2	39,1	17,0
12	11/16-24 UNEF	24,5	12,9	06	17,6	38,9	29,2	39,6	18,0
14	13/16-20 UNEF	27,8	16,1	10	18,5	41,1	32,2	41,4	20,0
16	15/16-20 UNEF	30,8	19,3	12	19,2	43,9	35,7	48,0	21,5
18	1 1/16-18 UNEF	34,1	21,7	12	19,6	48,8	39,7	50,8	23,0
20	1 3/16-18 UNEF	37,3	24,9	16	20,4	50,1	42,2	50,8	25,0
22	1 5/16-18 UNEF	40,5	28,1	16	20,8	52,6	45,2	50,8	26,0
24	1 7/16-18 UNEF	43,7	31,3	16	21,7	54,0	48,2	50,8	28,0

IF MAX ENTRY IS EXCEEDED, ADAPTOR ASSEMBLY IS STYLE T2 (SEE PAGE 18 FOR MORE INFORMATION) IN WHICH CASE DIMENSIONS C, D, E, F & K DO NOT APPLY AND MIN L IS L3

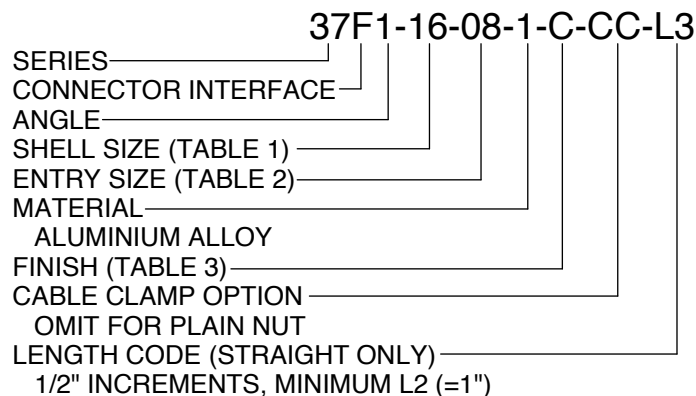
TABLE 2

ENTRY SIZE	CABLE RANGE
04	3,2 - 7,9
06	6,4 - 11,1
08	9,8 - 14,3
10	8,9 - 15,9
12	12,7 - 19,1
16	15,9 - 23,8
20	22,2 - 31,8
24	25,4 - 34,9
28	31,8 - 41,3
32	36,5 - 47,6

TABLE 3

CODE	FINISH
C	ELECTROLESS NICKEL
B	CADMIUM OLIVE DRAB OVER ELECTROLESS NICKEL
ZB	ZINC COBALT OLIVE DRAB OVER ELECTROLESS NICKEL
ZN	ZINC NICKEL BLACK PASSIVATE OVER ELECTROLESS NICKEL
G	BLACK ANODISE, SULPHURIC

LIST NOT EXHAUSTIVE, SEE PLATING TABLE FOR OTHER OPTIONS



DRAWING NOT TO SCALE, DIMENSIONS IN MM

See pages 18-26 for complete list of available materials, finishes and Connector interfaces (dimensions, form and O Ring subject to change depending on Backshell material and Connector interface)

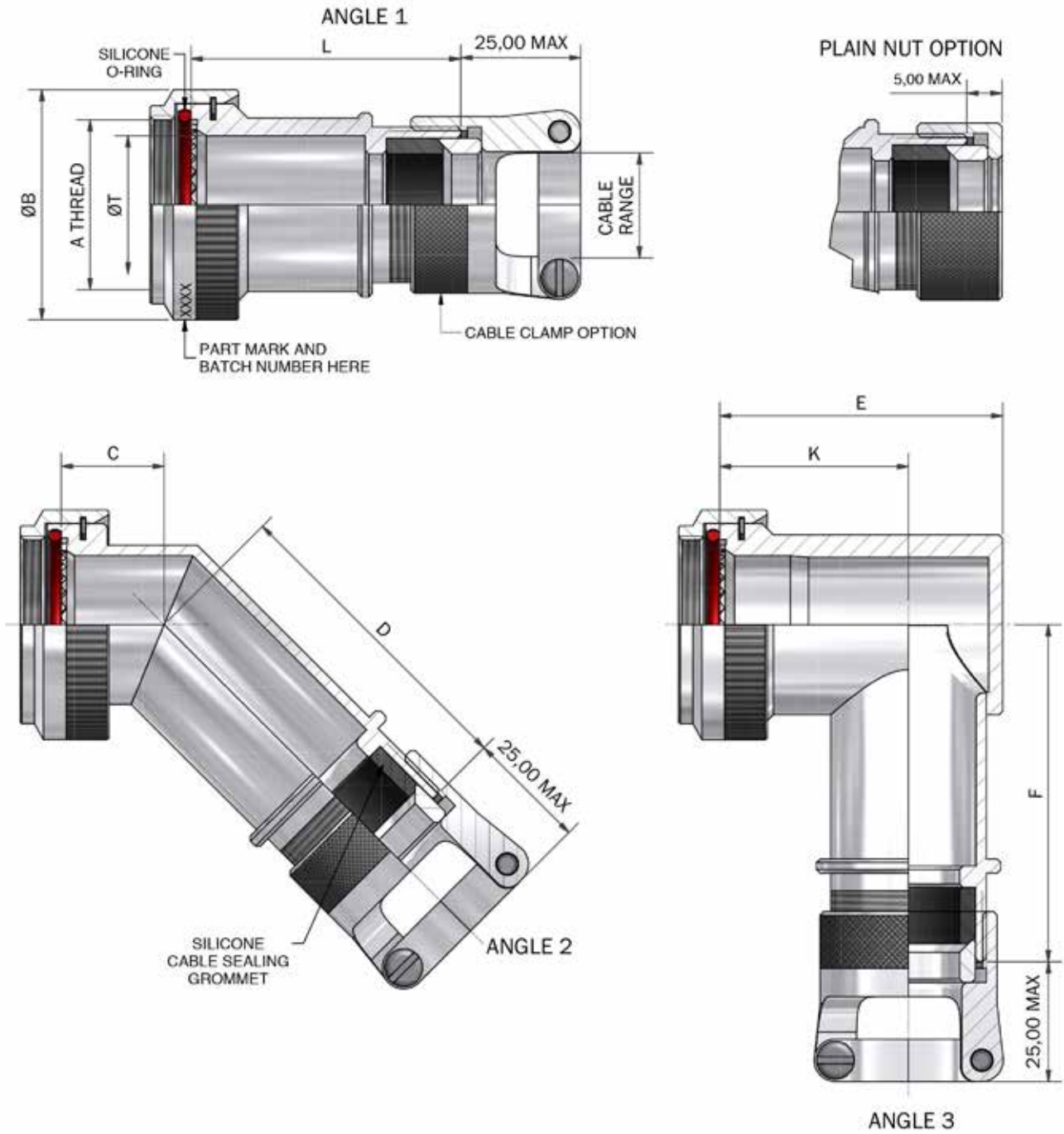
37H - Cable Sealing Backshell

Interface H - MIL-DTL-38999 SERIES III & IV



Interconnect Solutions Worldwide

STRAIN RELIEF



See pages 18-26 for complete list of available materials, finishes and Connector interfaces
(dimensions, form and O Ring subject to change depending on Backshell material and Connector interface)

37H - Cable Sealing Backshell

Interface H - MIL-DTL-38999 SERIES III & IV



Interconnect Solutions Worldwide

TABLE 2

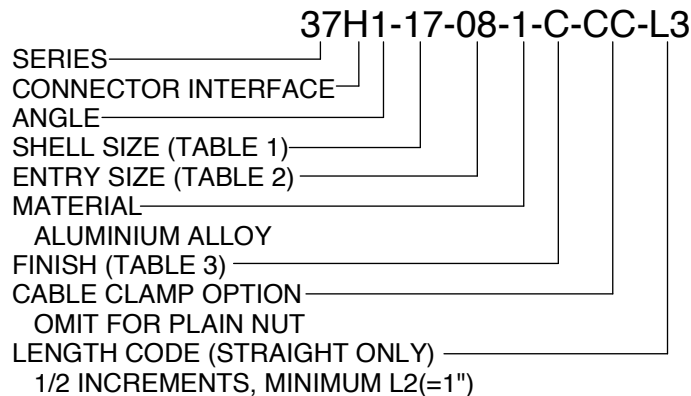
ENTRY SIZE	CABLE RANGE
04	3,2 - 7,9
06	6,4 - 11,1
08	9,8 - 14,3
10	8,9 - 15,9
12	12,7 - 19,1
16	15,9 - 23,8
20	22,2 - 31,8
24	25,4 - 34,9
28	31,8 - 41,3
32	36,5 - 47,6

TABLE 3

CODE	FINISH
C	ELECTROLESS NICKEL
B	CADMIUM OLIVE DRAB OVER ELECTROLESS NICKEL
ZB	ZINC COBALT OLIVE DRAB OVER ELECTROLESS NICKEL
ZN	ZINC NICKEL BLACK PASSIVATE OVER ELECTROLESS NICKEL
G	BLACK ANODISE, SULPHURIC

LIST NOT EXHAUSTIVE, SEE PLATING TABLE FOR OTHER OPTIONS

STRAIN RELIEF



DRAWING NOT TO SCALE, DIMENSIONS IN MM

See pages 18-26 for complete list of available materials, finishes and Connector interfaces
(dimensions, form and O Ring subject to change depending on Backshell material and Connector interface)

86F - Tie Post Backshell

Interface F - MIL-DTL-38999 SERIES I & II



Interconnect Solutions Worldwide

STRAIN RELIEF

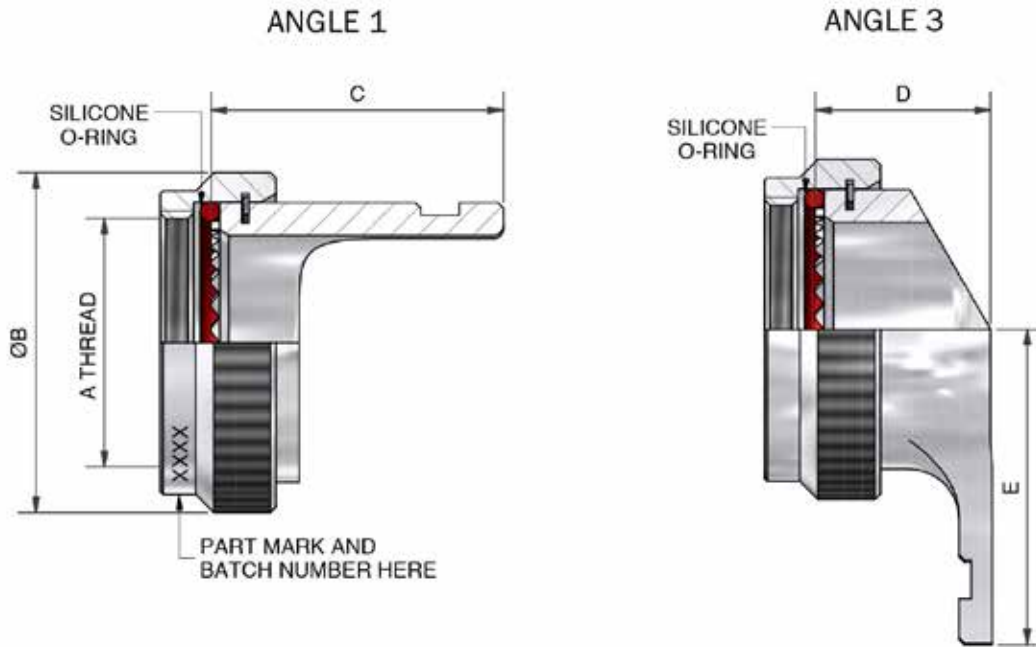


TABLE 1

DASH NO.	SHELL SIZE SERIES I	SHELL SIZE SERIES II	A THREAD	ØB MAX	C MAX	D MAX	E MAX
08	09	08	7/16-28 UNEF	18,3	24,0	14,0	14,5
10	11	10	9/16-24 UNEF	21,5	24,0	14,0	17,9
12	13	12	11/16-24 UNEF	24,5	26,0	16,0	20,8
14	15	14	13/16-20 UNEF	27,8	26,0	16,0	25,7
16	17	16	15/16-20 UNEF	30,8	27,0	16,0	29,0
18	19	18	1 1/16-18 UNEF	34,1	30,0	16,0	32,2
20	21	20	1 3/16-18 UNEF	37,3	37,0	20,0	33,5
22	23	22	1 5/16-18 UNEF	40,5	40,0	20,0	36,7
24	25	24	1 7/16-18 UNEF	43,7	40,0	20,0	39,6

TABLE 2

CODE	FINISH
C	ELECTROLESS NICKEL
B	CADMIUM OLIVE DRAB OVER ELECTROLESS NICKEL
ZB	ZINC COBALT OLIVE DRAB OVER ELECTROLESS NICKEL
ZN	ZINC NICKEL BLACK PASSIVATE OVER ELECTROLESS NICKEL
G	BLACK ANODISE, SULPHURIC

LIST NOT EXHAUSTIVE, SEE PLATING TABLE FOR OTHER OPTIONS

86F1-16-1-C

SERIES _____
 CONNECTOR INTERFACE _____
 ANGLE _____
 DASH NO. (TABLE 1) _____
 MATERIAL _____
 ALUMINIUM ALLOY _____
 FINISH (TABLE 2) _____

DRAWING NOT TO SCALE, DIMENSIONS IN MM

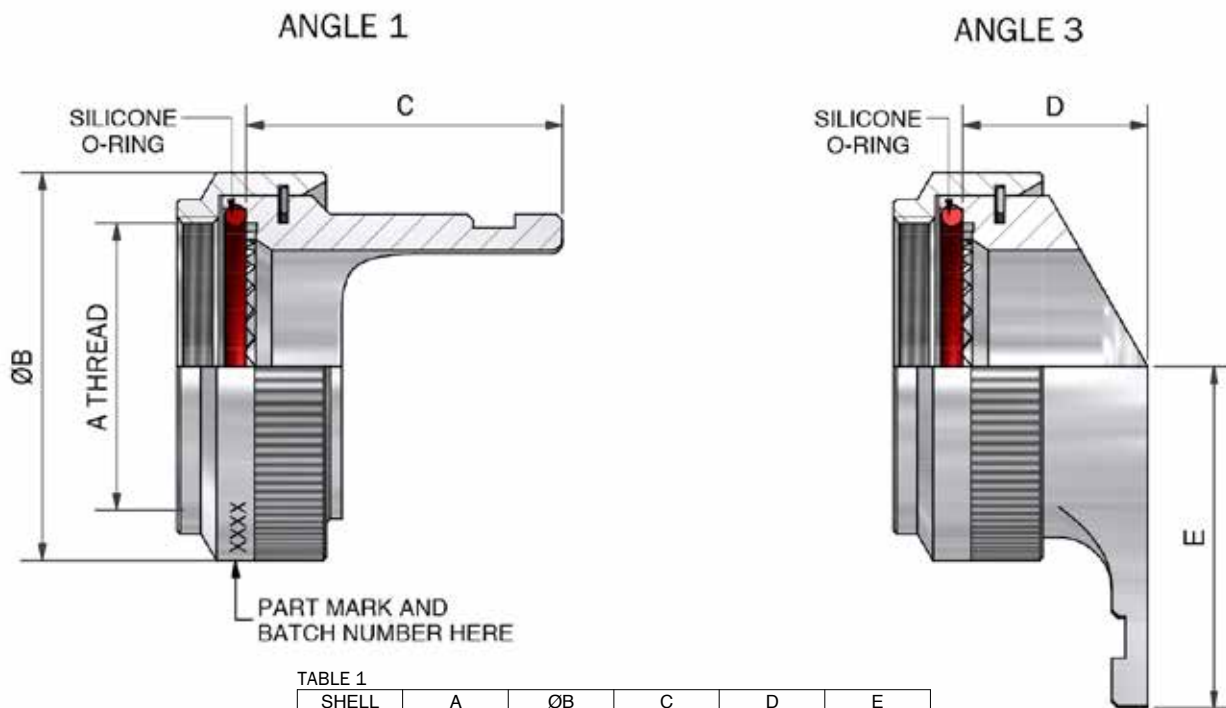
See pages 18-26 for complete list of available materials, finishes and Connector interfaces
 (dimensions, form and O Ring subject to change depending on Backshell material and Connector interface)

86H - Tie Post Backshell

Interface H - MIL-DTL-38999 SERIES III & IV



Interconnect Solutions Worldwide



STRAIN RELIEF

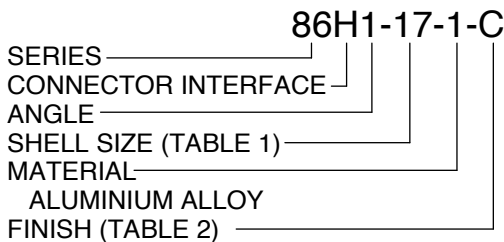
TABLE 1

SHELL SIZE	A THREAD	ØB MAX	C MAX	D MAX	E MAX
09	M12 x 1.0	18,0	24,0	14,0	14,5
11	M15 x 1.0	21,0	24,0	14,0	17,9
13	M18 x 1.0	24,5	26,0	16,0	20,8
15	M22 x 1.0	29,0	26,0	16,0	25,7
17	M25 x 1.0	32,5	27,0	16,0	29,0
19	M28 x 1.0	35,5	30,0	16,0	32,2
21	M31 x 1.0	37,0	37,0	20,0	33,5
23	M34 x 1.0	40,0	40,0	20,0	36,7
25	M37 x 1.0	43,5	40,0	20,0	39,6

TABLE 2

CODE	FINISH
C	ELECTROLESS NICKEL
B	CADMIUM OLIVE DRAB OVER ELECTROLESS NICKEL
ZB	ZINC COBALT OLIVE DRAB OVER ELECTROLESS NICKEL
ZN	ZINC NICKEL BLACK PASSIVATE OVER ELECTROLESS NICKEL
G	BLACK ANODISE, SULPHURIC

LIST NOT EXHAUSTIVE, SEE PLATING TABLE FOR OTHER OPTIONS



DRAWING NOT TO SCALE, DIMENSIONS IN MM

See pages 18-26 for complete list of available materials, finishes and Connector interfaces (dimensions, form and O Ring subject to change depending on Backshell material and Connector interface)

DRAWING NOT TO SCALE

THIS DRAWING IS THE PROPERTY OF POLAMCO LTD AND MUST NOT BE USED FOR COMMERCIAL PURPOSES WITHOUT WRITTEN CONSENT OF THE COMPANY

86F (ET) - Tie Post Backshell Earth Tag Option

Interface F - MIL-DTL-38999 SERIES I & II



Interconnect Solutions Worldwide

STRAIN RELIEF

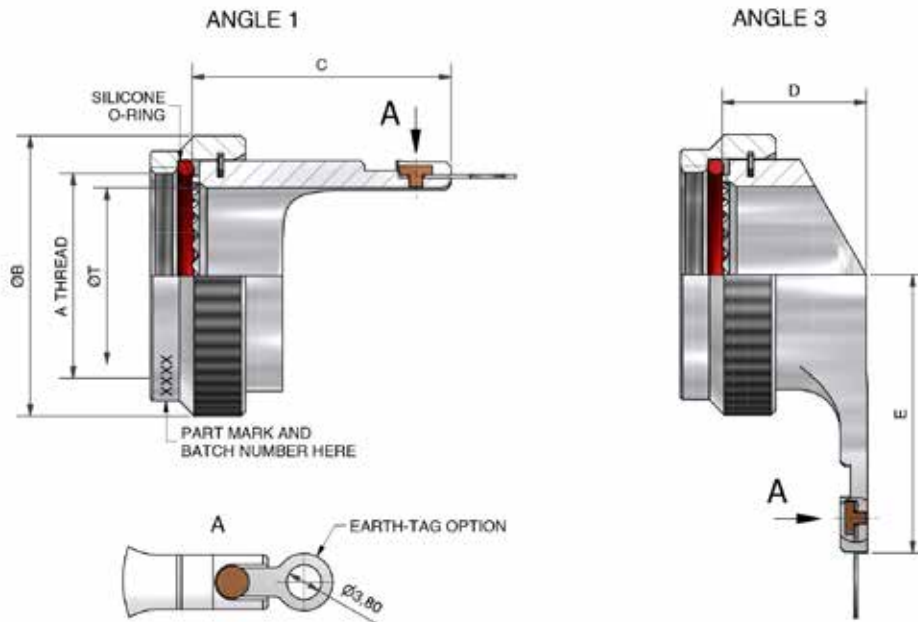


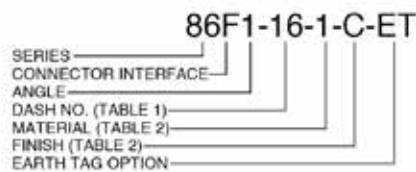
TABLE 1

DASH NO.	SHELL SIZE SERIES I	SHELL SIZE SERIES II	A THREAD	OB MAX	OT MIN	C MAX	D MAX	E MAX
08	09	08	7/16-28UNEF	18,3	6,6	24,0	14,0	14,5
10	11	10	9/16-24UNEF	21,5	10,1	24,0	14,0	17,9
12	13	12	11/16-24UNEF	24,5	12,9	26,0	16,0	20,8
14	15	14	13/16-20UNEF	27,8	16,1	26,0	16,0	25,7
16	17	16	15/16-20UNEF	30,8	19,3	27,0	16,0	29,0
18	19	18	1 1/16-18UNEF	34,1	21,7	30,0	16,0	32,2
20	21	20	1 3/16-18UNEF	37,3	24,9	37,0	20,0	33,5
22	23	22	1 5/16-18UNEF	40,5	28,1	40,0	20,0	36,7
24	25	24	1 7/16-18UNEF	43,7	31,3	40,0	20,0	39,6

TABLE 2

CODE	MATERIAL / PLATING
1-C	ALUMINIUM / ELECTROLESS NICKEL
1-B	ALUMINIUM / CADMIUM OLIVE DRAB OVER ELECTROLESS NICKEL
1-2B	ALUMINIUM / ZINC COBALT OLIVE DRAB OVER ELECTROLESS NICKEL
1-ZN	ALUMINIUM / ZINC NICKEL BLACK PASSIVATE OVER ELECTROLESS NICKEL
4-J	STAINLESS STEEL / PASSIVATE
2-Z	NICKEL ALUMINIUM BRONZE / SHOT BLAST

LIST NOT EXHAUSTIVE, SEE PLATING TABLE FOR OTHER OPTIONS



DRAWING NOT TO SCALE, DIMENSIONS IN MM

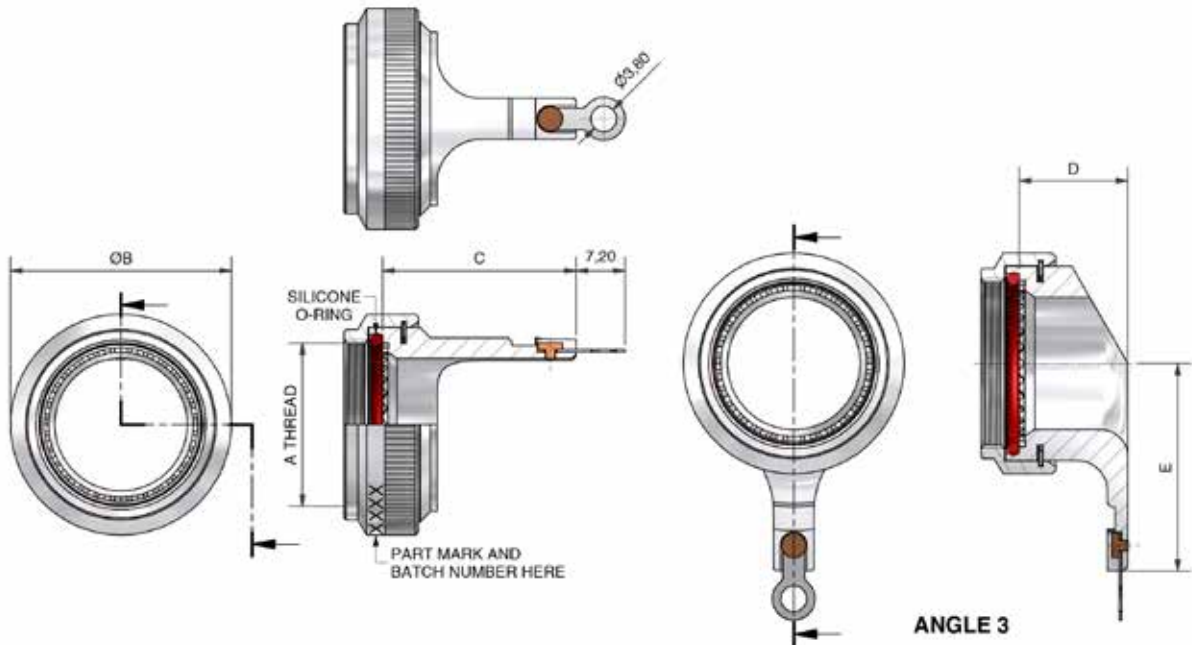
See pages 18-26 for complete list of available materials, finishes and Connector interfaces (dimensions, form and O Ring subject to change depending on Backshell material and Connector interface)

86H (ET) - Tie Post Backshell Earth Tag Option

Interface H - MIL-DTL-38999 SERIES III & IV



Interconnect Solutions Worldwide



STRAIN RELIEF

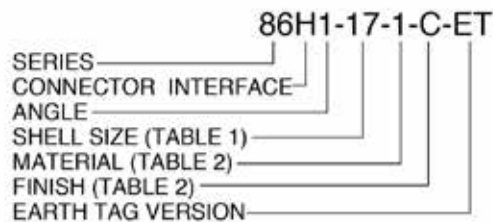
TABLE 1

SHELL SIZE	A THREAD	OB MAX	C MAX	D MAX	E MAX
09	M12 x 1.0	18,0	26,0	14,0	16,5
11	M15 x 1.0	21,0	26,0	14,0	19,9
13	M18 x 1.0	24,5	28,0	16,0	22,8
15	M22 x 1.0	29,0	28,0	16,0	27,7
17	M25 x 1.0	32,5	29,0	16,0	31,0
19	M28 x 1.0	35,5	32,0	16,0	34,2
21	M31 x 1.0	37,0	39,0	20,0	35,5
23	M34 x 1.0	40,0	42,0	20,0	38,7
25	M37 x 1.0	43,5	42,0	20,0	41,6

TABLE 2

CODE	MATERIAL / FINISH
1-C	ALUMINIUM / ELECTROLESS NICKEL
1-B	ALUMINIUM / CADMIUM OLIVE DRAB OVER ELECTROLESS NICKEL
1-ZB	ALUMINIUM / ZINC COBALT OLIVE DRAB OVER ELECTROLESS NICKEL
1-ZN	ALUMINIUM / ZINC NICKEL BLACK PASSIVATE OVER ELECTROLESS NICKEL
4-J	STAINLESS STEEL / PASSIVATE
2-Z	NICKEL ALUMINIUM BRONZE / SHOT BLAST

LIST NOT EXHAUSTIVE, SEE PLATING TABLE FOR OTHER OPTIONS



DRAWING NOT TO SCALE, DIMENSIONS IN MM

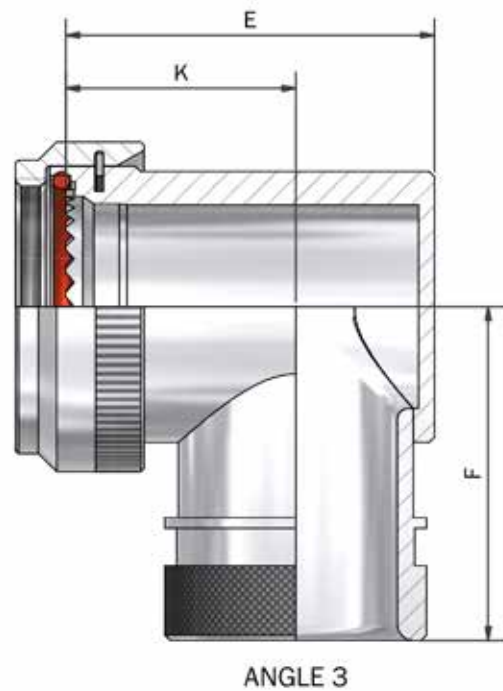
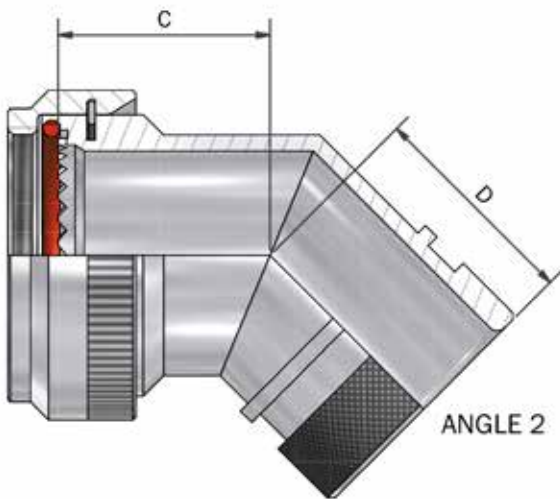
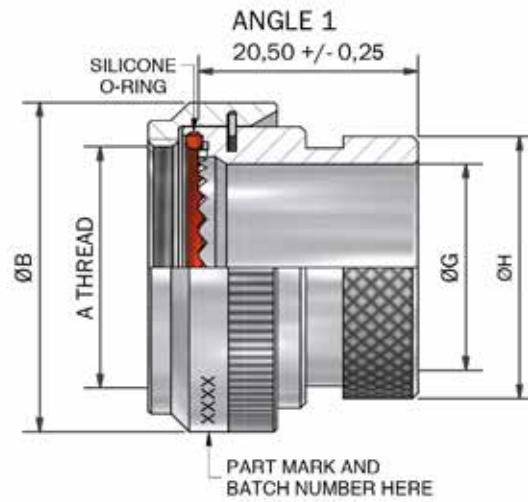
See pages 18-26 for complete list of available materials, finishes and Connector interfaces (dimensions, form and O Ring subject to change depending on Backshell material and Connector interface)

97F - Heat Shrink Boot Backshell

Interface F - MIL-DTL-38999 SERIES I



Interconnect Solutions Worldwide



HEAT SHRINK BOOT

See pages 18-26 for complete list of available materials, finishes and Connector interfaces
(dimensions, form and O Ring subject to change depending on Backshell material and Connector interface)

97F - Heat Shrink Boot Backshell

Interface F - MIL-DTL-38999 SERIES I



Interconnect Solutions Worldwide

TABLE 1

SHELL SIZE	A THREAD	ØB MAX	ØG MIN	ØH MAX	C ±0,5	D MAX	E MAX	F MAX	K ±0,5	RECOMMENDED BOOT SIZE
09	7/16-28 UNEF	18,0	6,8	13,5	16,4	17,6	22,7	25,5	15,0	152-42
11	9/16-24 UNEF	21,0	10,2	15,4	17,2	18,4	26,2	27,3	17,0	152-42
13	11/16-24 UNEF	24,5	13,1	19,7	17,6	19,3	29,2	28,7	18,0	155-42
15	13/16-20 UNEF	27,8	16,2	21,3	18,5	19,6	32,2	30,2	20,0	155-42
17	15/16-20 UNEF	30,8	19,3	24,5	19,2	20,4	35,7	31,9	21,5	156-42
19	1 1/16-18 UNEF	34,1	22,3	26,5	19,6	20,8	39,7	33,5	23,0	156-42
21	1 3/16-18 UNEF	37,3	25,8	31,0	20,4	21,6	42,2	35,1	25,0	156-42
23	1 5/16-18 UNEF	41,0	28,3	34,4	20,8	22,5	45,2	36,7	26,0	157-43
25	1 7/16-18 UNEF	43,7	31,5	36,6	21,7	22,9	48,2	38,1	28,0	157-43

TABLE 3

CODE	FINISH
C	ELECTROLESS NICKEL
B	CADMIUM OLIVE DRAB OVER ELECTROLESS NICKEL
ZB	ZINC COBALT OLIVE DRAB OVER ELECTROLESS NICKEL
ZN	ZINC NICKEL BLACK PASSIVATE OVER ELECTROLESS NICKEL
G	BLACK ANODISE, SULPHURIC

LIST NOT EXHAUSTIVE, SEE PLATING TABLE FOR OTHER OPTIONS

97F1-17-1-C

SERIES _____
 CONNECTOR INTERFACE _____
 ANGLE _____
 SHELL SIZE (TABLE 1) _____
 MATERIAL ALUMINIUM ALLOY _____
 FINISH (TABLE 2) _____

HEAT SHRINK BOOT

Sealing and strain relief achieved with Heat Shrink Boot (see page 354)
 Adhesive if required for assembly (see page 352)

DRAWING NOT TO SCALE, DIMENSIONS IN MM

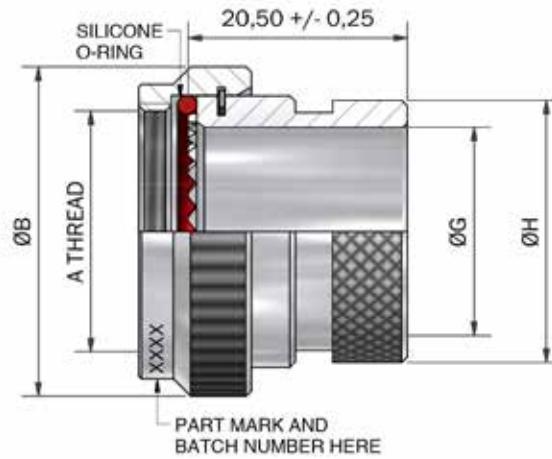
See pages 18-26 for complete list of available materials, finishes and Connector interfaces
 (dimensions, form and O Ring subject to change depending on Backshell material and Connector interface)

97F - Heat Shrink Boot Backshell

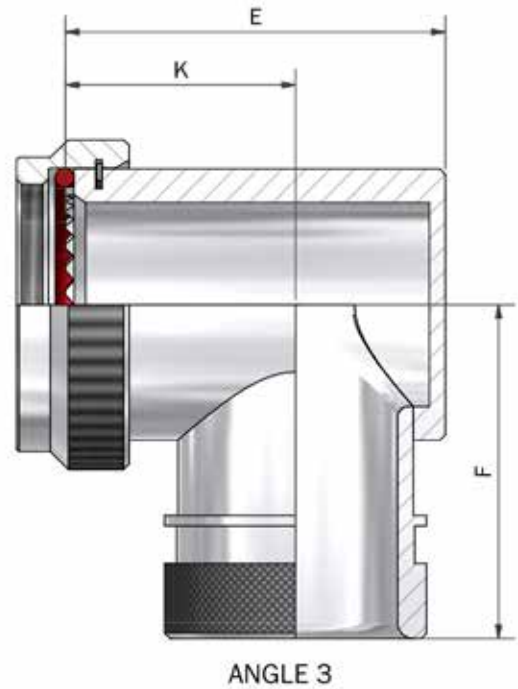
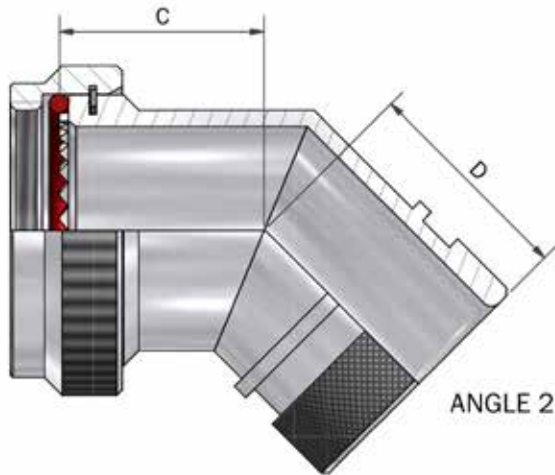
Interface F - MIL-DTL-38999 SERIES II



Interconnect Solutions Worldwide



HEAT SHRINK BOOT



See pages 18-26 for complete list of available materials, finishes and Connector interfaces
(dimensions, form and O Ring subject to change depending on Backshell material and Connector interface)

97F - Heat Shrink Boot Backshell

Interface F - MIL-DTL-38999 SERIES II



Interconnect Solutions Worldwide

TABLE 1

SHELL SIZE	A THREAD	ØB MAX	ØG MIN	ØH MAX	C ±0,5	D MAX	E MAX	F MAX	K ±0,5	RECOMMENDED BOOT SIZE
08	7/16-28 UNEF	18,3	6,6	13,5	16,4	17,6	22,7	25,5	15,0	152-42
10	9/16-24 UNEF	21,5	10,1	15,4	17,2	18,4	26,2	27,3	17,0	152-42
12	11/16-24 UNEF	24,5	12,9	19,7	17,6	19,3	29,2	28,7	18,0	155-42
14	13/16-20 UNEF	27,8	16,1	21,3	18,5	19,6	32,2	30,2	20,0	155-42
16	15/16-20 UNEF	30,8	19,3	24,5	19,2	20,4	35,7	31,9	21,5	156-42
18	1 1/16-18 UNEF	34,1	21,7	26,5	19,6	20,8	39,7	33,5	23,0	156-42
20	1 3/16-18 UNEF	37,3	24,9	31,0	20,4	21,6	42,2	35,1	25,0	156-42
22	1 5/16-18 UNEF	40,5	28,1	34,4	20,8	22,5	45,2	36,7	26,0	157-43
24	1 7/16-18 UNEF	43,7	31,3	36,6	21,7	22,9	48,2	38,1	28,0	157-43

TABLE 2

CODE	FINISH
C	ELECTROLESS NICKEL
B	CADMIUM OLIVE DRAB OVER ELECTROLESS NICKEL
ZB	ZINC COBALT OLIVE DRAB OVER ELECTROLESS NICKEL
ZN	ZINC NICKEL BLACK PASSIVATE OVER ELECTROLESS NICKEL
G	BLACK ANODISE, SULPHURIC

LIST NOT EXHAUSTIVE, SEE PLATING TABLE FOR OTHER OPTIONS

97F1-16-1-C

SERIES _____
CONNECTOR INTERFACE _____
ANGLE _____
SHELL SIZE (TABLE 1) _____
MATERIAL _____
ALUMINIUM ALLOY _____
FINISH (TABLE 2) _____

HEAT SHRINK BOOT

Sealing and strain relief achieved with Heat Shrink Boot (see page 354)
Adhesive if required for assembly (see page 352)

DRAWING NOT TO SCALE, DIMENSIONS IN MM

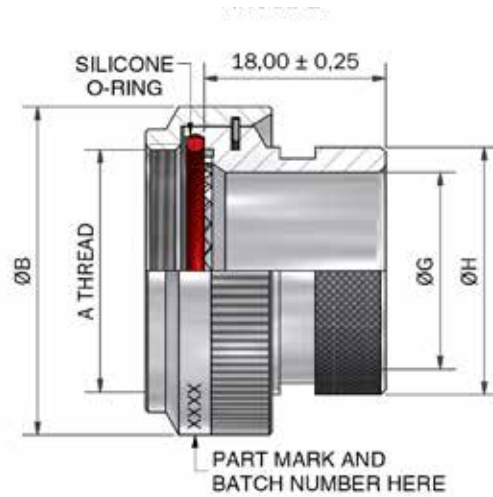
See pages 18-26 for complete list of available materials, finishes and Connector interfaces
(dimensions, form and O Ring subject to change depending on Backshell material and Connector interface)

97H - Heat Shrink Boot Backshell

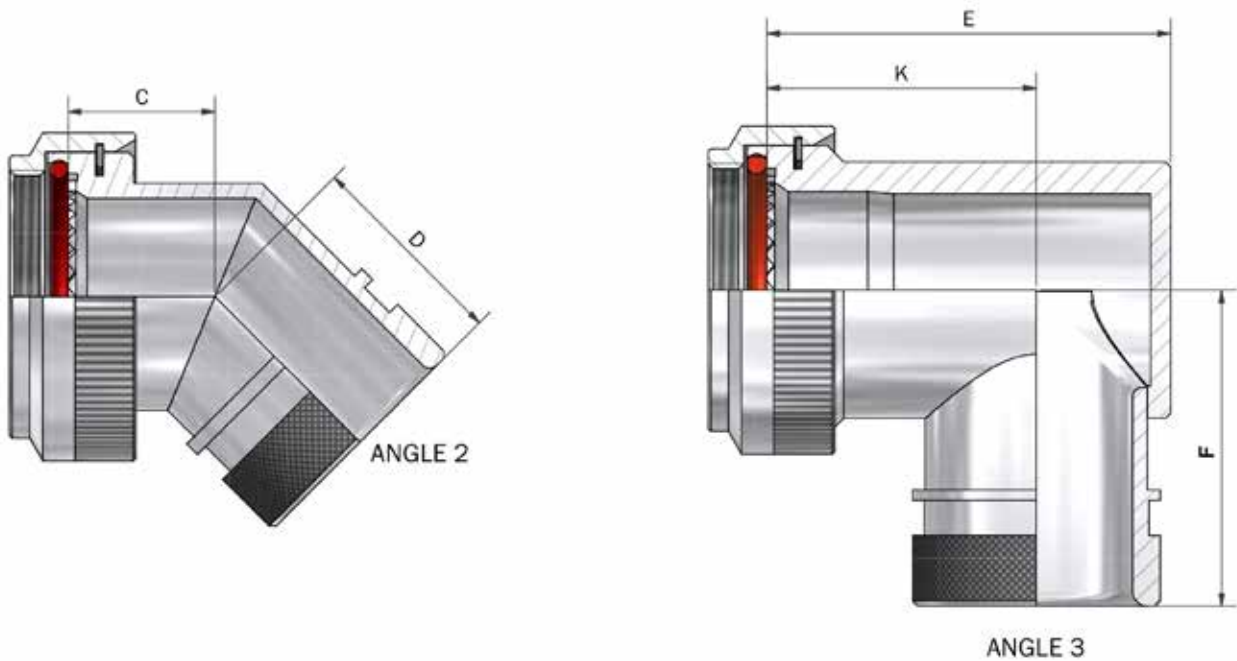
Interface H - MIL-DTL-38999 SERIES III & IV



Interconnect Solutions Worldwide



HEAT SHRINK BOOT



DRAWING NOT TO SCALE, DIMENSIONS IN MM

See pages 18-26 for complete list of available materials, finishes and Connector interfaces
(dimensions, form and O Ring subject to change depending on Backshell material and Connector interface)

97H - Heat Shrink Boot Backshell

Interface H - MIL-DTL-38999 SERIES III & IV



Interconnect Solutions Worldwide

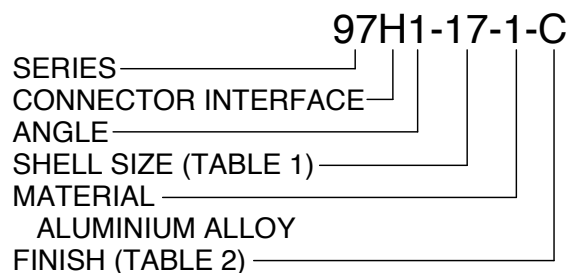
TABLE 1

SHELL SIZE	A THREAD	ØB MAX	ØG MIN	ØH MAX	C MAX	D MAX	E MAX	F MAX	K ±0,5	RECOMMENDED BOOT SIZE
09	M12 x 1.0	18,0	6,8	13,5	13,1	17,6	25,7	25,5	17,5	152-42
11	M15 x 1.0	21,0	10,3	15,4	13,9	18,4	26,7	27,3	17,5	152-42
13	M18 x 1.0	24,5	13,6	19,7	14,5	19,3	31,2	28,7	20,0	155-42
15	M22 x 1.0	29,0	16,3	21,3	15,5	19,6	37,2	30,2	24,5	155-42
17	M25 x 1.0	32,5	19,5	24,5	16,1	20,4	40,2	31,9	26,7	156-42
19	M28 x 1.0	35,5	21,9	26,5	16,8	20,8	44,7	33,5	27,0	156-42
21	M31 x 1.0	37,0	25,2	31,0	17,1	21,6	49,2	35,1	30,5	156-42
23	M34 x 1.0	40,0	28,3	34,4	17,7	22,5	51,7	36,7	31,5	157-43
25	M37 x 1.0	43,5	31,5	36,6	18,4	22,9	53,2	38,1	28,5	157-43

TABLE 2

CODE	FINISH
C	ELECTROLESS NICKEL
B	CADMIUM OLIVE DRAB OVER ELECTROLESS NICKEL
ZB	ZINC COBALT OLIVE DRAB OVER ELECTROLESS NICKEL
ZN	ZINC NICKEL BLACK PASSIVATE OVER ELECTROLESS NICKEL
G	BLACK ANODISE, SULPHURIC

LIST NOT EXHAUSTIVE, SEE PLATING TABLE FOR OTHER OPTIONS



HEAT SHRINK BOOT

Sealing and strain relief achieved with Heat Shrink Boot (see page 354)
Adhesive if required for assembly (see page 352)

DRAWING NOT TO SCALE, DIMENSIONS IN MM

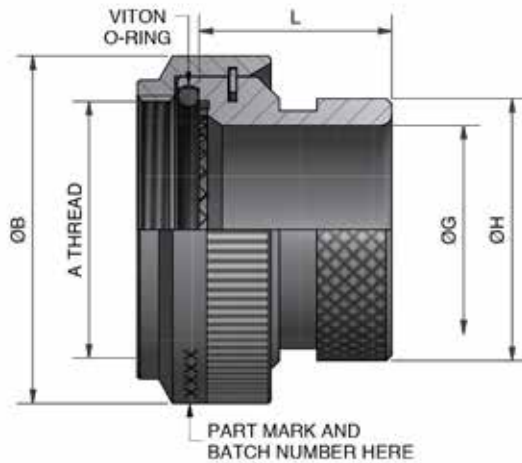
See pages 18-26 for complete list of available materials, finishes and Connector interfaces
(dimensions, form and O Ring subject to change depending on Backshell material and Connector interface)

97 (SS) - Heat Shrink Boot Backshell Stainless Steel

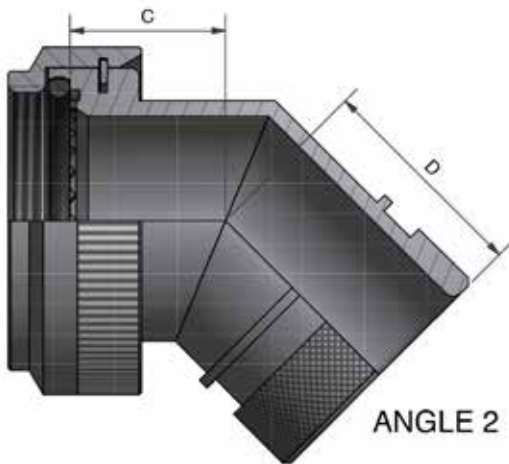
Interface H - MIL-DTL-38999 SERIES III & IV



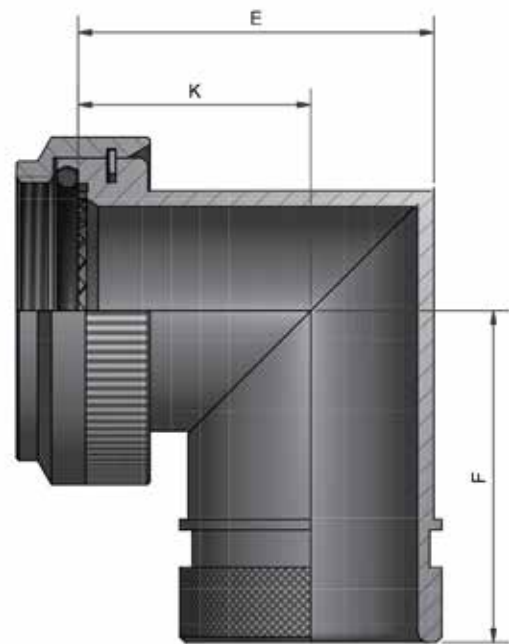
Interconnect Solutions Worldwide



ANGLE 1



ANGLE 2



ANGLE 3

DRAWING NOT TO SCALE, DIMENSIONS IN MM

See pages 18-26 for complete list of available materials, finishes and Connector interfaces
(dimensions, form and O Ring subject to change depending on Backshell material and Connector interface)

97 (SS) - Heat Shrink Boot Backshell Stainless Steel

Interface H - MIL-DTL-38999 SERIES III & IV



Interconnect Solutions Worldwide

TABLE 1

SHELL SIZE	A THREAD	ØB MAX	ØG MIN	ØH MAX	C MAX	D MAX	E MAX	F MAX	K ±0,5
09	M12 x 1.0	18,0	6,6	13,5	13,1	17,6	21,4	27,3	16,3
11	M15 x 1.0	21,0	10,1	15,4	13,9	18,4	24,5	27,4	17,2
13	M18 x 1.0	24,5	13,4	19,7	14,5	19,3	28,5	29,2	19,4
15	M22 x 1.0	29,0	16,1	21,3	15,5	19,6	31,3	28,9	21,0
17	M25 x 1.0	32,5	19,3	24,5	16,1	20,4	34,4	31,8	22,8
19	M28 x 1.0	35,5	21,7	26,5	16,8	20,8	38,7	33,5	25,3
21	M31 x 1.0	37,0	25,0	31,0	17,1	21,6	40,9	35,0	26,1
23	M34 x 1.0	40,0	28,1	34,4	17,7	22,5	43,9	36,4	27,6
25	M37 x 1.0	43,5	31,3	36,6	18,4	22,9	46,6	37,7	29,1

TABLE 2

CODE	MATERIAL / FINISH
4-J	STAINLESS STEEL 303S31 / PASSIVATE
46-J	STAINLESS STEEL 316 / PASSIVATE

LIST NOT EXHAUSTIVE, SEE PLATING TABLE FOR OTHER OPTIONS

97H1-17-4-J-L35

SERIES _____

CONNECTOR INTERFACE _____

ANGLE _____

SHELL SIZE (TABLE 1) _____

MATERIAL (TABLE 2) _____

FINISH (TABLE 2) _____

LENGTH CODE IN mm (STRAIGHT ONLY) _____
OMIT FOR STANDARD 18,00mm

HEAT SHRINK BOOT

Sealing and strain relief achieved with Heat Shrink Boot (see page 354)
Adhesive if required for assembly (see page 352)

DRAWING NOT TO SCALE, DIMENSIONS IN MM

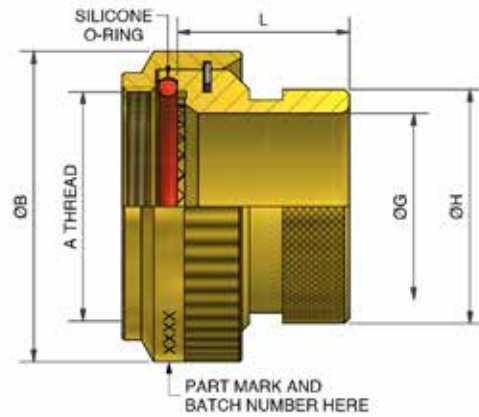
See pages 18-26 for complete list of available materials, finishes and Connector interfaces
(dimensions, form and O Ring subject to change depending on Backshell material and Connector interface)

97 (NB) - Heat Shrink Boot Backshell Nickel Aluminium Bronze

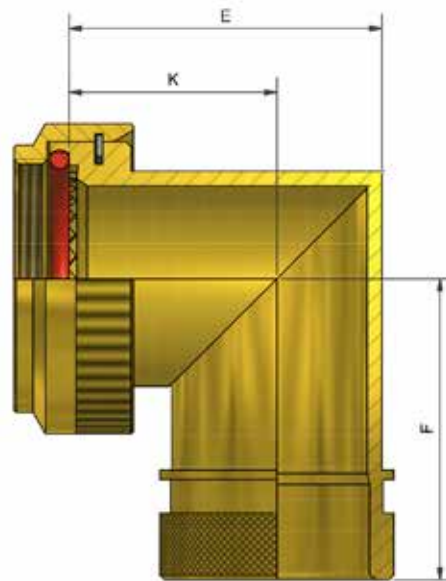
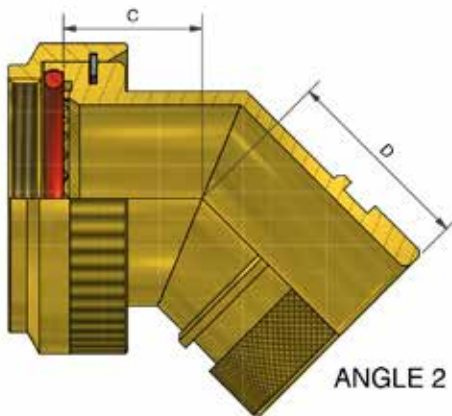
Interface H - MIL-DTL-38999 SERIES III & IV



Interconnect Solutions Worldwide



ANGLE 1



DRAWING NOT TO SCALE, DIMENSIONS IN MM

See pages 18-26 for complete list of available materials, finishes and Connector interfaces
(dimensions, form and O Ring subject to change depending on Backshell material and Connector interface)

97 (NB) - Heat Shrink Boot Backshell Nickel Aluminium Bronze

Interface H - MIL-DTL-38999 SERIES III & IV



Interconnect Solutions Worldwide

TABLE 1

SHELL SIZE	A THREAD	ØB MAX	ØG MIN	ØH MAX	C MAX	D MAX	E MAX	F MAX	K ±0,5
09	M12 x 1.0	18,0	6,6	13,5	13,1	17,6	21,4	25,5	16,3
11	M15 x 1.0	21,0	10,1	15,4	13,9	18,4	24,5	27,3	17,2
13	M18 x 1.0	24,5	13,4	19,7	14,5	19,3	28,5	28,7	19,4
15	M22 x 1.0	29,0	16,1	21,3	15,5	19,6	31,3	30,2	21,0
17	M25 x 1.0	32,5	19,3	24,5	16,1	20,4	34,4	31,9	22,8
19	M28 x 1.0	35,5	21,7	26,5	16,8	20,8	38,7	33,5	25,3
21	M31 x 1.0	37,0	25,0	31,0	17,1	21,6	40,9	35,1	26,1
23	M34 x 1.0	40,0	28,1	34,4	17,7	22,5	43,9	36,7	27,6
25	M37 x 1.0	43,5	31,3	36,6	18,4	22,9	46,6	38,1	29,1

97H1-17-2-Z-L35

SERIES _____
CONNECTOR INTERFACE _____
ANGLE _____
SHELL SIZE (TABLE 1) _____
MATERIAL _____
NICKEL ALUMINIUM BRONZE
FINISH _____
SHOT BLAST
LENGTH CODE IN mm (STRAIGHT ONLY) _____
OMIT FOR STANDARD 18,00mm

HEAT SHRINK BOOT

Sealing and strain relief achieved with Heat Shrink Boot (see page 354)
Adhesive if required for assembly (see page 352)

DRAWING NOT TO SCALE, DIMENSIONS IN MM

See pages 18-26 for complete list of available materials, finishes and Connector interfaces
(dimensions, form and O Ring subject to change depending on Backshell material and Connector interface)

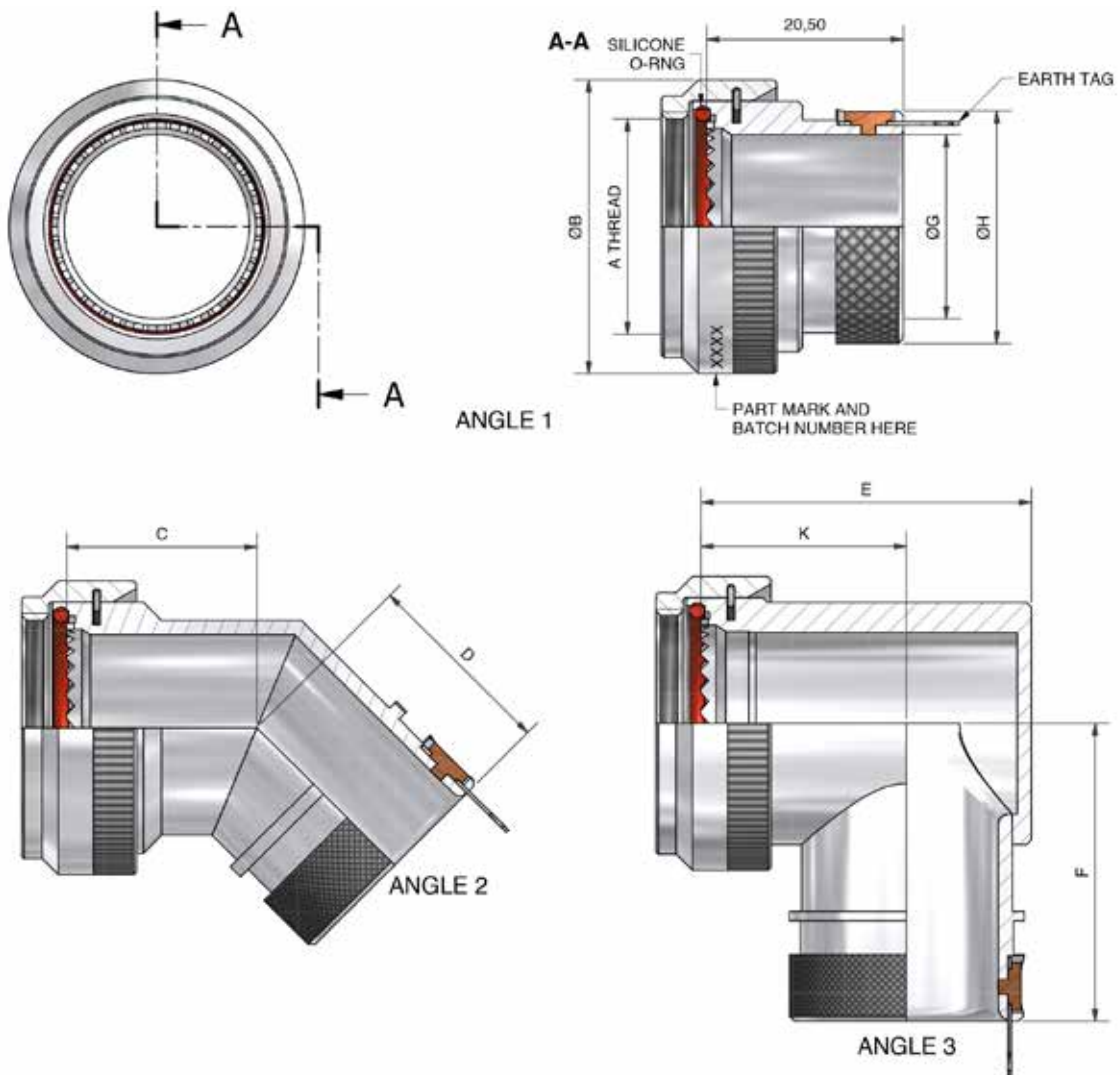
97F (ET) - Heat Shrink Boot Backshell Earth Tag Option

Interface F - MIL-DTL-38999 SERIES I



Interconnect Solutions Worldwide

HEAT SHRINK BOOT



DRAWING NOT TO SCALE, DIMENSIONS IN MM

See pages 18-26 for complete list of available materials, finishes and Connector interfaces
(dimensions, form and O Ring subject to change depending on Backshell material and Connector interface)

97F (ET) - Heat Shrink Boot Backshell Earth Tag Option

Interface F - MIL-DTL-38999 SERIES I



Interconnect Solutions Worldwide

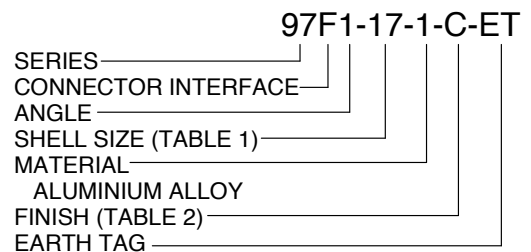
TABLE 1

SHELL SIZE	A THREAD	ØB MAX	ØG MIN	ØH MAX	C ± 0,5	D MAX	E MAX	F MAX	K ±0,5	RECOMMENDED BOOTSIZE
09	7/16-28UNEF	18,0	6,8	13,5	16,4	17,6	22,7	25,5	15,0	152-42
11	9/16-24UNEF	21,0	10,2	15,4	17,2	18,4	26,2	27,3	17,0	152-42
13	11/16-24UNEF	24,5	13,1	19,7	17,6	19,3	29,2	28,7	18,0	155-42
15	13/16-20UNEF	27,8	16,2	21,3	18,5	19,6	32,2	30,2	20,0	155-42
17	15/16-20UNEF	30,8	19,3	24,5	19,2	20,4	35,7	31,9	21,5	156-42
19	1 1/16-18UNEF	34,1	22,3	26,5	19,6	20,8	39,7	33,5	23,0	156-42
21	1 3/16-18UNEF	37,3	25,8	31,0	20,4	21,6	42,2	35,1	25,0	156-42
23	1 5/16-18UNEF	41,0	28,3	34,4	20,8	22,5	45,2	36,7	26,0	157-43
25	1 7/16-18UNEF	43,7	31,5	36,6	21,7	22,9	48,2	38,1	28,0	157-43

TABLE 2

CODE	FINISH
C	ELECTROLESS NICKEL
B	CADMIUM OLIVE DRAB OVER ELECTROLESS NICKEL
ZB	ZINC COBALT OLIVE DRAB OVER ELECTROLESS NICKEL
ZN	ZINC NICKEL BLACK PASSIVATE OVER ELECTROLESS NICKEL

LIST NOT EXHAUSTIVE, SEE PLATING TABLE FOR OTHER OPTIONS



HEAT SHRINK BOOT

Sealing and strain relief achieved with Heat Shrink Boot (see page 354)
Adhesive if required for assembly (see page 352)

DRAWING NOT TO SCALE, DIMENSIONS IN MM

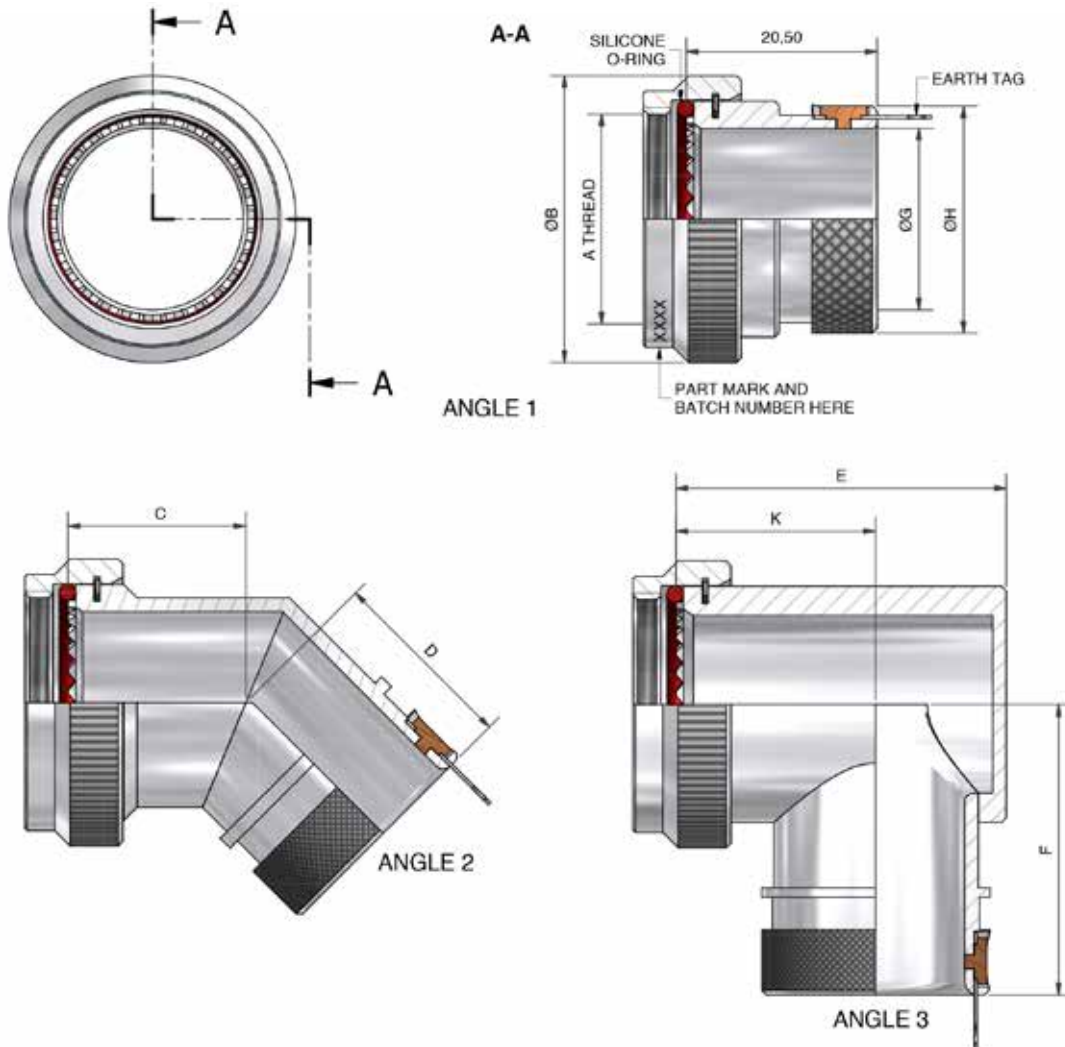
See pages 18-26 for complete list of available materials, finishes and Connector interfaces
(dimensions, form and O Ring subject to change depending on Backshell material and Connector interface)

97F (ET) - Heat Shrink Boot Backshell Earth Tag Option

Interface F - MIL-DTL-38999 SERIES II



Interconnect Solutions Worldwide



HEAT SHRINK BOOT

DRAWING NOT TO SCALE, DIMENSIONS IN MM

See pages 18-26 for complete list of available materials, finishes and Connector interfaces
(dimensions, form and O Ring subject to change depending on Backshell material and Connector interface)

97F (ET) - Heat Shrink Boot Backshell Earth Tag Option

Interface F - MIL-DTL-38999 SERIES II



Interconnect Solutions Worldwide

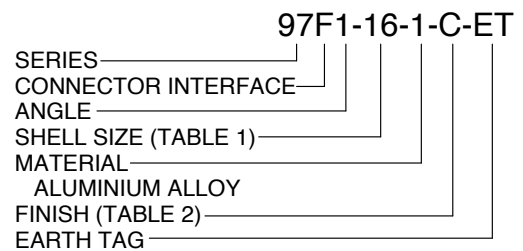
TABLE 1

SHELL SIZE	A THREAD	ØB MAX	ØG MIN	ØH MAX	C ± 0,5	D MAX	E MAX	F MAX	K ±0,5	RECOMMENDED BOOTSIZE
08	7/16-28UNEF	18,3	6,8	13,5	16,4	17,6	22,7	25,5	15,0	152-42
10	9/16-24UNEF	21,5	10,2	15,4	17,2	18,4	26,2	27,3	17,0	152-42
12	11/16-24UNEF	24,5	13,1	19,7	17,6	19,3	29,2	28,7	18,0	155-42
14	13/16-20UNEF	27,8	16,2	21,3	18,5	19,6	32,2	30,2	20,0	155-42
16	15/16-20UNEF	30,8	19,3	24,5	19,2	20,4	35,7	31,9	21,5	156-42
18	1 1/16-18UNEF	34,1	22,3	26,5	19,6	20,8	39,7	33,5	23,0	156-42
20	1 3/16-18UNEF	37,3	25,8	31,0	20,4	21,6	42,2	35,1	25,0	156-42
22	1 5/16-18UNEF	40,5	28,3	34,4	20,8	22,5	45,2	36,7	26,0	157-43
24	1 7/16-18UNEF	43,7	31,5	36,6	21,7	22,9	48,2	38,1	28,0	157-43

TABLE 2

CODE	FINISH
C	ELECTROLESS NICKEL
B	CADMIUM OLIVE DRAB OVER ELECTROLESS NICKEL
ZB	ZINC COBALT OLIVE DRAB OVER ELECTROLESS NICKEL
ZN	ZINC NICKEL BLACK PASSIVATE OVER ELECTROLESS NICKEL

LIST NOT EXHAUSTIVE, SEE PLATING TABLE FOR OTHER OPTIONS



HEAT SHRINK BOOT

Sealing and strain relief achieved with Heat Shrink Boot (see page 354)
Adhesive if required for assembly (see page 352)

DRAWING NOT TO SCALE, DIMENSIONS IN MM

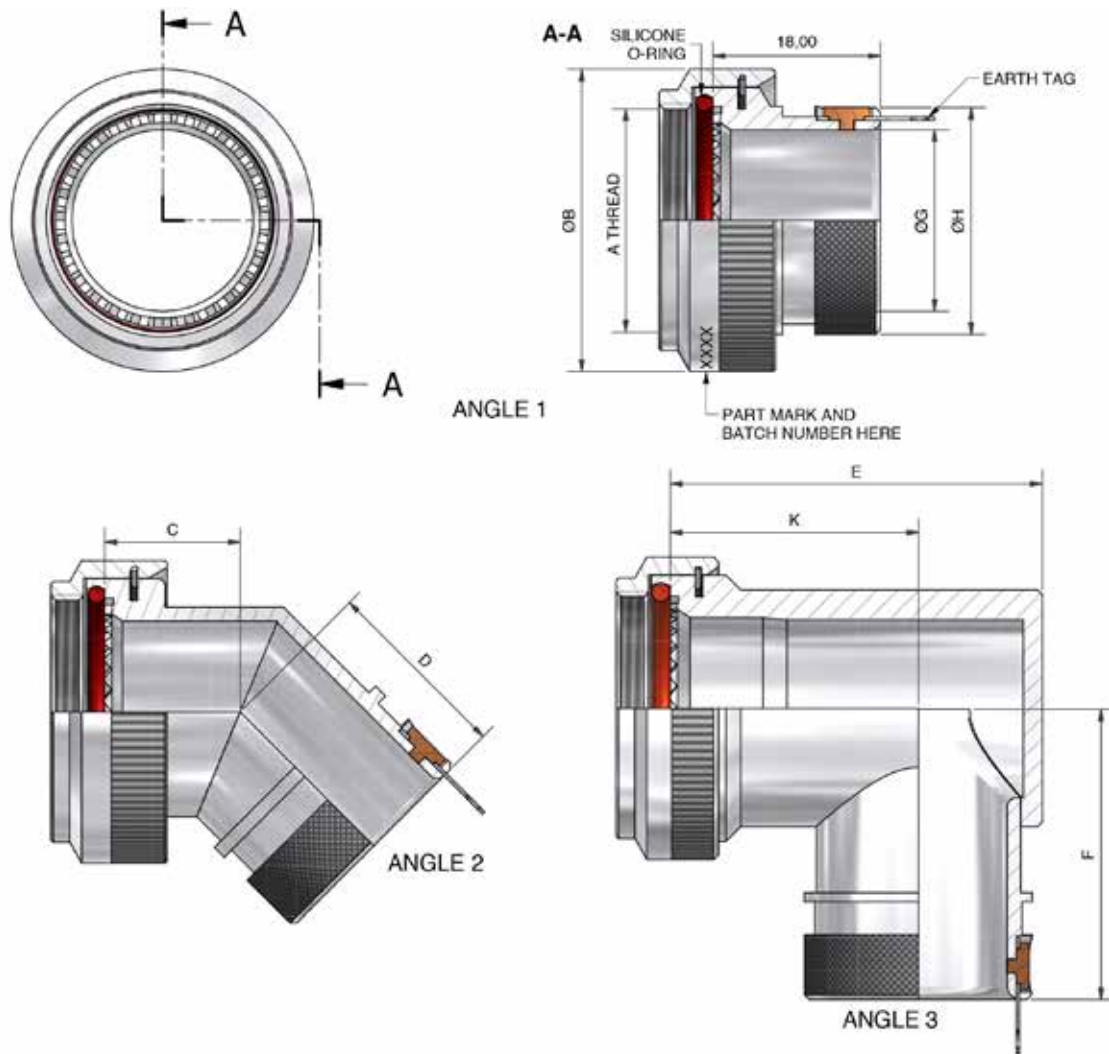
See pages 18-26 for complete list of available materials, finishes and Connector interfaces
(dimensions, form and O Ring subject to change depending on Backshell material and Connector interface)

97H (ET) - Heat Shrink Boot Backshell Earth Tag Option

Interface H - MIL-DTL-38999 SERIES III & IV



Interconnect Solutions Worldwide



DRAWING NOT TO SCALE, DIMENSIONS IN MM

See pages 18-26 for complete list of available materials, finishes and Connector interfaces
(dimensions, form and O Ring subject to change depending on Backshell material and Connector interface)

97H (ET) - Heat Shrink Boot Backshell Earth Tag Option

Interface H - MIL-DTL-38999 SERIES III & IV



Interconnect Solutions Worldwide

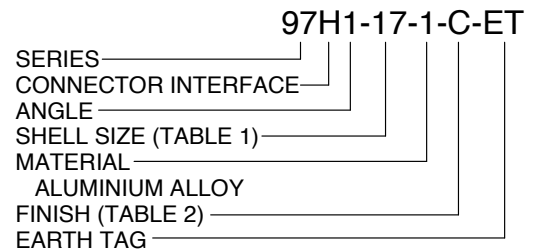
TABLE 1

SHELL SIZE	A THREAD	ØB MAX	ØG MIN	ØH MAX	C ± 0,5	D MAX	E MAX	F MAX	K ±0,5	RECOMMENDED BOOTSIZE
09	M12x1.0	18,0	6,7	13,5	13,1	17,6	25,7	25,5	17,5	152-42
11	M15x1.0	21,0	10,2	15,4	13,9	18,4	26,7	27,3	17,5	152-42
13	M18x1.0	24,5	13,5	19,7	14,5	19,3	31,2	28,7	20,0	155-42
15	M22x1.0	29,0	16,2	21,3	15,5	19,6	37,2	30,2	24,5	155-42
17	M25x1.0	32,5	19,4	24,5	16,1	20,4	40,2	31,9	26,7	156-42
19	M28x1.0	35,5	21,8	26,5	16,8	20,8	44,7	33,5	27,0	156-42
21	M31x1.0	37,0	25,1	31,0	17,1	21,6	49,2	35,1	30,5	156-42
23	M34x1.0	40,0	28,2	34,4	17,7	22,5	51,7	36,7	31,5	157-43
25	M37x1.0	43,5	31,4	36,6	18,4	22,9	53,2	38,1	28,5	157-43

TABLE 2

CODE	FINISH
C	ELECTROLESS NICKEL
B	CADMIUM OLIVE DRAB OVER ELECTROLESS NICKEL
ZB	ZINC COBALT OLIVE DRAB OVER ELECTROLESS NICKEL
ZN	ZINC NICKEL BLACK PASSIVATE OVER ELECTROLESS NICKEL

LIST NOT EXHAUSTIVE, SEE PLATING TABLE FOR OTHER OPTIONS



HEAT SHRINK BOOT

Sealing and strain relief achieved with Heat Shrink Boot (see page 354)
Adhesive if required for assembly (see page 352)

DRAWING NOT TO SCALE, DIMENSIONS IN MM

See pages 18-26 for complete list of available materials, finishes and Connector interfaces
(dimensions, form and O Ring subject to change depending on Backshell material and Connector interface)

76F - Low Profile Heat Shrink Boot Backshell

Interface F - MIL-DTL-38999 SERIES I & II



Interconnect Solutions Worldwide

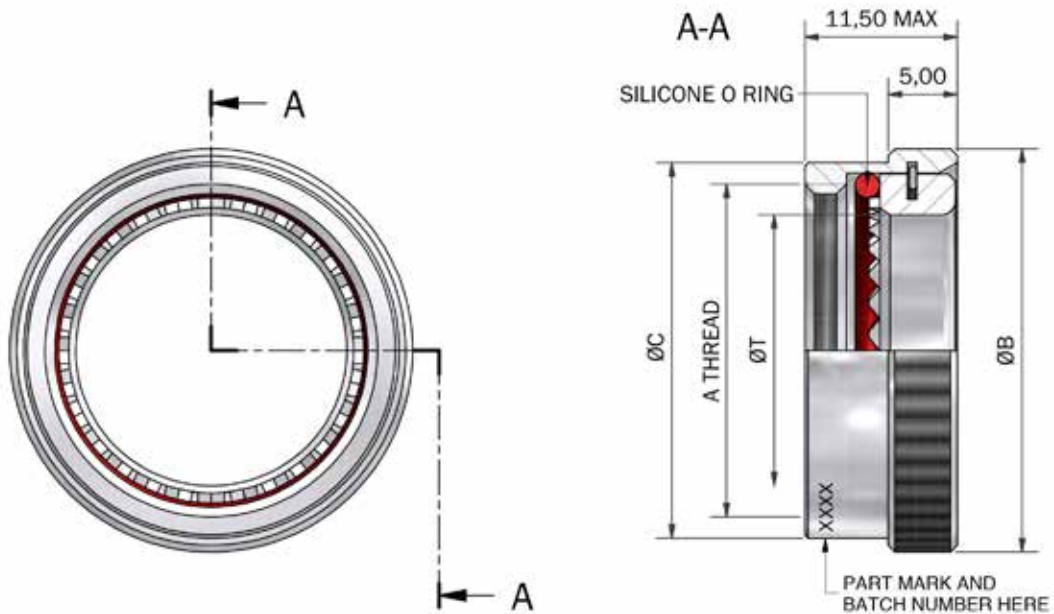


TABLE 1

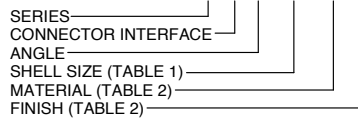
DASH NO.	SHELL SIZE SERIES I	SHELL SIZE SERIES II	A THREAD	ØB MAX	C MAX	ØT MIN
08	09	08	7/16-28 UNEF	17,0	14,5	6,6
10	11	10	9/16-24 UNEF	20,0	18,0	10,1
12	13	12	11/16-24 UNEF	23,0	21,0	12,9
14	15	14	13/16-20 UNEF	26,2	24,0	16,1
16	17	16	15/16-20 UNEF	29,0	27,0	19,3
18	19	18	1 1/16-18 UNEF	32,0	30,5	21,7
20	21	20	1 3/16-18 UNEF	35,0	33,5	24,9
22	23	22	1 5/16-18 UNEF	38,0	36,5	28,1
24	25	24	1 7/16-18 UNEF	42,0	40,0	31,3

TABLE 2

CODE	MATERIAL / PLATING
1-C	ALUMINIUM / ELECTROLESS NICKEL
1-B	ALUMINIUM / CADMIUM OLIVE DRAB OVER ELECTROLESS NICKEL
1-ZB	ALUMINIUM / ZINC COBALT OLIVE DRAB OVER ELECTROLESS NICKEL
1-ZN	ALUMINIUM / ZINC NICKEL BLACK PASSIVATE OVER ELECTROLESS NICKEL
1-G	ALUMINIUM / BLACK ANODISE, SULPHURIC
4-J	STAINLESS STEEL / PASSIVATE
2-Z	NICKEL ALUMINIUM BRONZE / SHOT BLAST

LIST NOT EXHAUSTIVE. SEE MATERIAL AND PLATING TABLE FOR FULL LIST

76F1-16-1-C



Sealing and strain relief achieved with Heat Shrink Boot (see page 354)
Adhesive if required for assembly (see page 352)

DRAWING NOT TO SCALE, DIMENSIONS IN MM

See pages 18-26 for complete list of available materials, finishes and Connector interfaces
(dimensions, form and O Ring subject to change depending on Backshell material and Connector interface)

76H - Low Profile Heat Shrink Boot Backshell

Interface H - MIL-DTL-38999 SERIES III & IV



Interconnect Solutions Worldwide

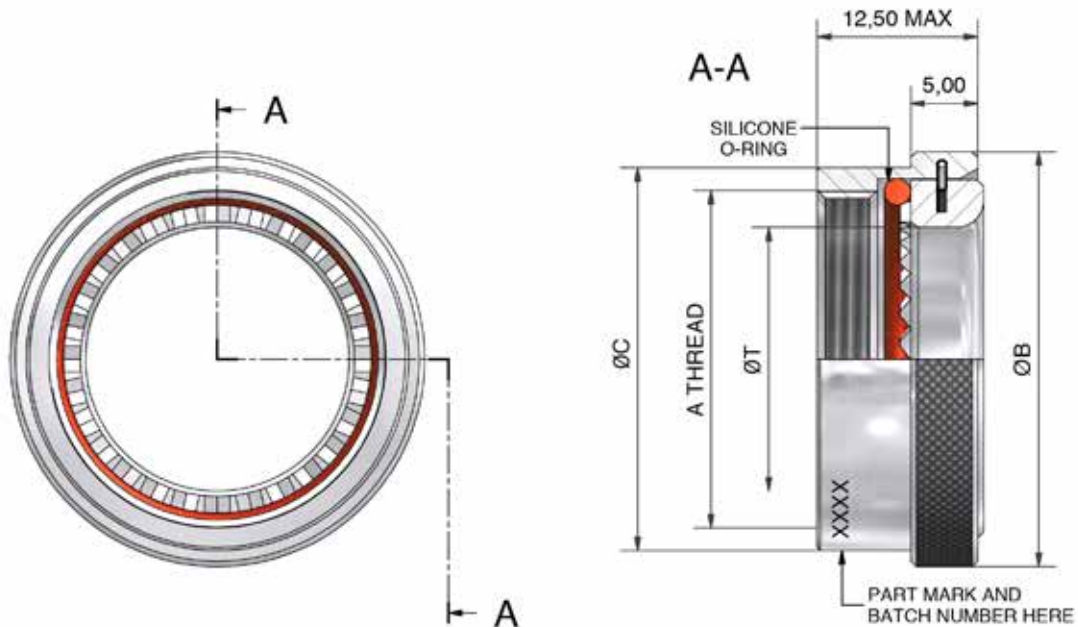


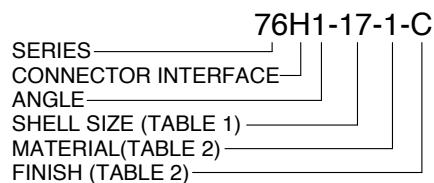
TABLE 1

SHELL SIZE	A THREAD	$\varnothing B$ MAX	C MAX	T $\pm 0,2$
09	M12 x 1.0	18,0	15,0	6,9
11	M15 x 1.0	21,0	18,0	10,5
13	M18 x 1.0	24,5	21,0	13,3
15	M22 x 1.0	27,5	25,4	16,5
17	M25 x 1.0	31,0	28,6	19,7
19	M28 x 1.0	34,0	31,8	22,2
21	M31 x 1.0	37,0	34,0	25,4
23	M34 x 1.0	40,0	37,0	28,6
25	M37 x 1.0	43,5	40,0	31,8

TABLE 2

CODE	MATERIAL / PLATING
1-C	ALUMINIUM / ELECTROLESS NICKEL
1-B	ALUMINIUM / CADMIUM OLIVE DRAB OVER ELECTROLESS NICKEL
1-ZB	ALUMINIUM / ZINC COBALT OLIVE DRAB OVER ELECTROLESS NICKEL
1-ZN	ALUMINIUM / ZINC NICKEL BLACK PASSIVATE OVER ELECTROLESS NICKEL
1-G	ALUMINIUM / BLACK ANODISE, SULPHURIC
4-J	STAINLESS STEEL / PASSIVATE
2-Z	NICKEL ALUMINIUM BRONZE / SHOT BLAST

LIST NOT EXHAUSTIVE, SEE MATERIAL AND PLATING TABLE FOR FULL LIST



Sealing and strain relief achieved with Heat Shrink Boot (see page 354)
Adhesive if required for assembly (see page 352)

DRAWING NOT TO SCALE, DIMENSIONS IN MM

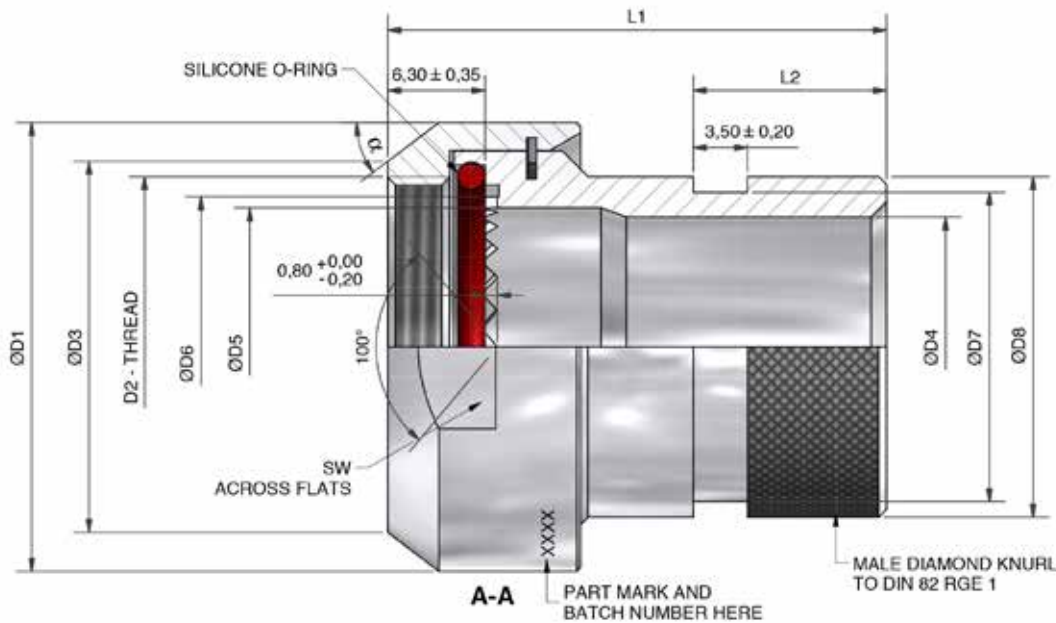
See pages 18-26 for complete list of available materials, finishes and Connector interfaces
(dimensions, form and O Ring subject to change depending on Backshell material and Connector interface)

PVG1EH1 - Heat Shrink Boot Backshell

Interface H - MIL-DTL-38999 SERIES III & IV



Interconnect Solutions Worldwide



HEAT SHRINK BOOT

DRAWING NOT TO SCALE, DIMENSIONS IN MM

See pages 18-26 for complete list of available materials, finishes and Connector interfaces (dimensions, form and O Ring subject to change depending on Backshell material and Connector interface)

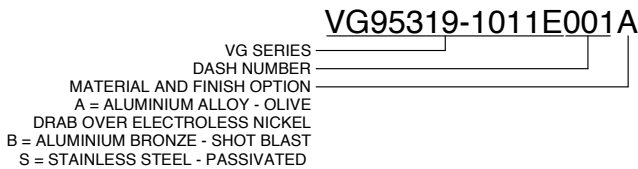
PVG1EH1 - Heat Shrink Boot Backshell

Interface H - MIL-DTL-38999 SERIES III & IV

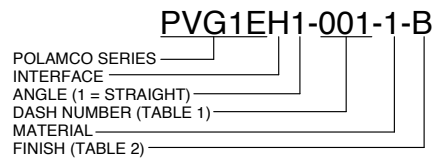


Interconnect Solutions Worldwide

VG PART NUMBERING



POLAMCO PART NUMBERING



ANY OPTIONS OUTSIDE THOSE POSSIBLE WITH VG PART NUMBER ARE AVAILABLE BUT WILL NOT BE VG APPROVED PARTS.
 FOR FULL LIST OF MATERIAL AND PLATING OPTIONS PLEASE VISIT OUR WEBSITE

TABLE 1

DASH NO.	SHELL SIZE	ØD1 ±0,2	D2	ØD3 +0,2/-0,1	ØD4 +0,2/-0	ØD5 +0,2/-0	ØD6 +0,2/-0	ØD7 +0/-0,2	ØD8 +0,5/-0	L1 MAX	L2 +0/-0,4
001	09	19	M12 X 1	14,25	8,65	8,50	10,80	12,00	14,00	33,00	12,50
002	11	22	M15 X 1	17,00	12,00	12,00	13,80	14,00	16,00	33,00	12,50
003	13	25	M18 X 1	20,00	13,80	13,80	16,80	16,00	18,00	33,00	12,50
004	15	29	M22 X 1	24,00	16,80	18,00	20,80	20,00	22,00	33,00	12,50
005	17	32	M25 X 1	27,00	19,80	21,10	23,80	23,00	25,00	33,00	12,50
006	19	36	M28 X 1	30,00	22,80	24,10	26,80	24,50	28,00	33,00	12,50
007	21	39	M31 X 1	33,00	25,80	27,10	29,80	28,50	32,00	33,00	15,00
008	23	43	M34 X 1	36,00	26,80	30,10	32,80	30,50	34,00	33,00	15,00
009	25	46	M37 X 1	39,00	30,80	33,30	35,80	34,50	38,00	33,00	15,00

TABLE 2

DASH NO.	SHELL SIZE	α ±1°	SW +0/-0,2	NO. OF TEETH	MASS (g) MAX	CODE	FINISH
001	09	35°	17	12	10	C	ELECTROLESS NICKEL
002	11	37°	20	16	12	B	CADMIUM OLIVE DRAB OVER ELECTROLESS NICKEL
003	13	37°	23	20	14	ZB	ZINC COBALT OLIVE DRAB OVER ELECTROLESS NICKEL
004	15	37°	27	24	17	ZN	ZINC NICKEL BLACK PASSIVATE OVER ELECTROLESS NICKEL
005	17	37°	30	28	20		
006	19	40°	34	32	30		
007	21	40°	37	36	40		
008	23	40°	41	40	45		
009	25	40°	44	44	50		

LIST NOT EXHAUSTIVE, SEE PLATING TABLE FOR OTHER OPTIONS

HEAT SHRINK BOOT

Sealing and strain relief achieved with Heat Shrink Boot (see page 354)
 Adhesive if required for assembly (see page 352)

DRAWING NOT TO SCALE, DIMENSIONS IN MM

See pages 18-26 for complete list of available materials, finishes and Connector interfaces
 (dimensions, form and O Ring subject to change depending on Backshell material and Connector interface)

98F - E Nut Backshell

Interface F - MIL-DTL-38999 SERIES I & II



Interconnect Solutions Worldwide

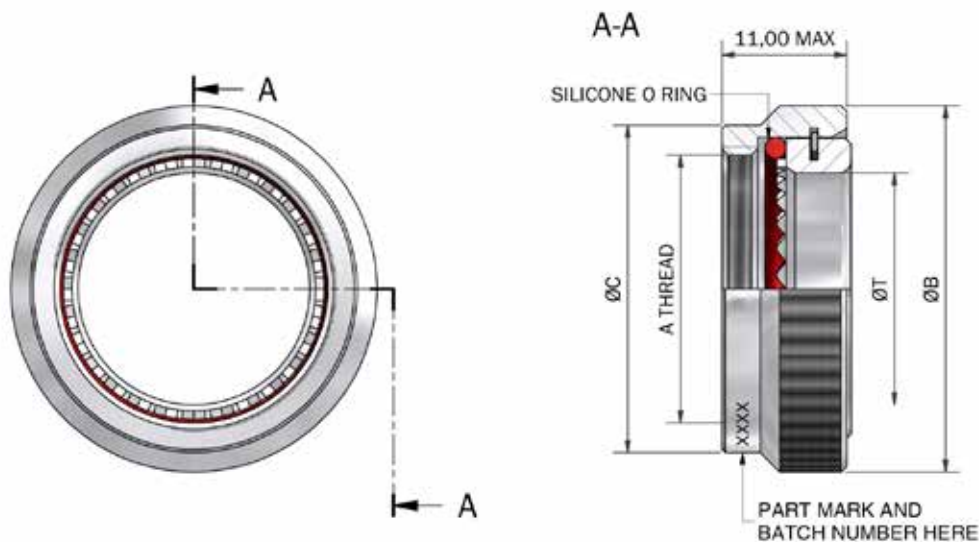


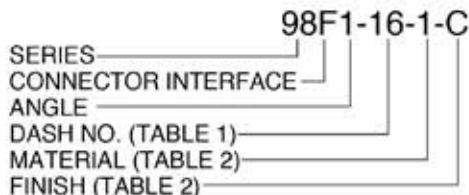
TABLE 1

DASH NO.	SHELL SIZE SERIES I	SHELL SIZE SERIES II	A THREAD	ØB MAX	C MAX	ØT MIN
08	09	08	7/16-28 UNEF	18,3	14,5	6,6
10	11	10	9/16-24 UNEF	21,5	18,0	10,1
12	13	12	11/16-24 UNEF	24,5	21,0	12,9
14	15	14	13/16-20 UNEF	27,8	24,2	16,1
16	17	16	15/16-20 UNEF	30,8	27,5	19,3
18	19	18	1 1/16-18 UNEF	34,1	30,7	21,7
20	21	20	1 3/16-18 UNEF	37,3	33,8	24,9
22	23	22	1 5/16-18 UNEF	40,5	36,9	28,1
24	25	24	1 7/16-18 UNEF	43,7	40,1	31,3

TABLE 2

CODE	MATERIAL / PLATING
1-C	ALUMINIUM / ELECTROLESS NICKEL
1-B	ALUMINIUM / CADMIUM OLIVE DRAB OVER ELECTROLESS NICKEL
1-ZB	ALUMINIUM / ZINC COBALT OLIVE DRAB OVER ELECTROLESS NICKEL
1-ZN	ALUMINIUM / ZINC NICKEL BLACK PASSIVATE OVER ELECTROLESS NICKEL
1-G	ALUMINIUM / BLACK ANODISE, SULPHURIC
4-J	STAINLESS STEEL / PASSIVATE
2-Z	NICKEL ALUMINIUM BRONZE / SHOT BLAST

LIST NOT EXHAUSTIVE, SEE MATERIAL AND PLATING TABLE FOR FULL LIST



DRAWING NOT TO SCALE, DIMENSIONS IN MM

See pages 18-26 for complete list of available materials, finishes and Connector interfaces (dimensions, form and O Ring subject to change depending on Backshell material and Connector interface)

GROMMET COMPRESSION NUT

98H - E Nut Backshell

Interface H - MIL-DTL-38999 SERIES III & IV



Interconnect Solutions Worldwide

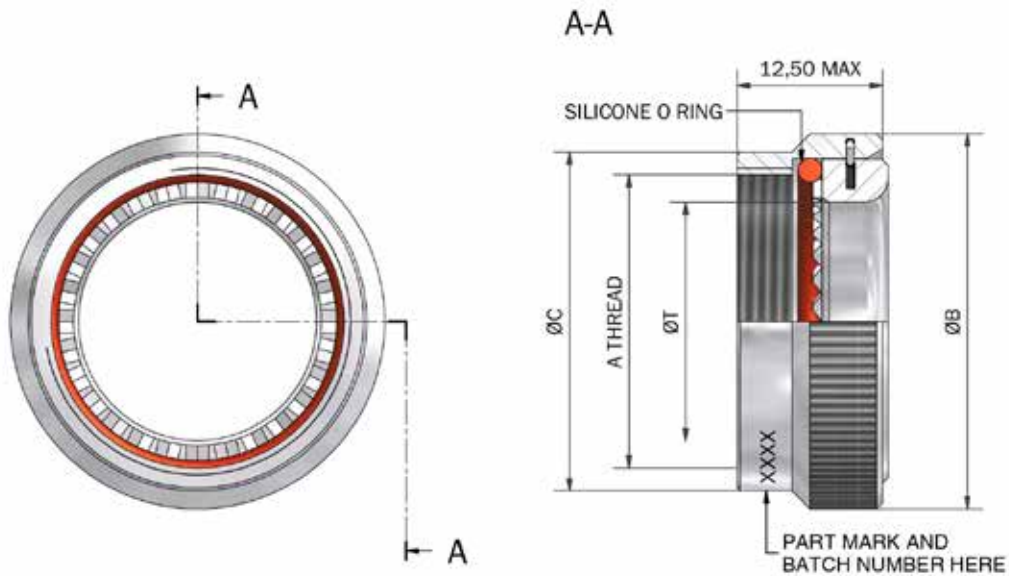


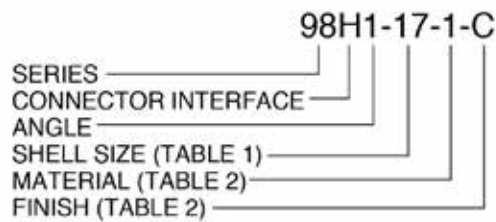
TABLE 1

SHELL SIZE	A THREAD	ØB MAX	C MAX	ØT ±0,2
09	M12 x 1.0	18,0	15,0	6,9
11	M15 x 1.0	21,0	18,0	10,5
13	M18 x 1.0	24,5	21,0	13,3
15	M22 x 1.0	27,5	25,0	16,5
17	M25 x 1.0	31,0	28,0	19,7
19	M28 x 1.0	34,0	31,0	22,2
21	M31 x 1.0	37,0	34,0	25,4
23	M34 x 1.0	40,0	37,0	28,6
25	M37 x 1.0	43,5	40,0	31,8

TABLE 2

CODE	MATERIAL / PLATING
1-C	ALUMINIUM / ELECTROLESS NICKEL
1-B	ALUMINIUM / CADMIUM OLIVE DRAB OVER ELECTROLESS NICKEL
1-ZB	ALUMINIUM / ZINC COBALT OLIVE DRAB OVER ELECTROLESS NICKEL
1-ZN	ALUMINIUM / ZINC NICKEL BLACK PASSIVATE OVER ELECTROLESS NICKEL
1-G	ALUMINIUM / BLACK ANODISE, SULPHURIC
4-J	STAINLESS STEEL / PASSIVATE
2-Z	NICKEL, ALUMINIUM BRONZE / SHOT BLAST

LIST NOT EXHAUSTIVE, SEE MATERIAL AND PLATING TABLE FOR FULL LIST



DRAWING NOT TO SCALE, DIMENSIONS IN MM

See pages 18-26 for complete list of available materials, finishes and Connector interfaces (dimensions, form and O Ring subject to change depending on Backshell material and Connector interface)

Section Index

8	Backshell Product Finder
16	Product Information
29	Screened Backshells
275	Non-Screened Backshells
323	Conduit Backshells & Conduit
333	Thread Adaptors & Extenders
1	Associated Products
356	Glossary & Terms

Conduit Backshells & Conduit

Polamco has more than 30 years experience in the manufacture of Backshells for the cable harness industry.

63 Series

Conduit Backshells

100P2589 Series

Non-Metallic Conduit

Conduit Solutions

Spin-coupling EMC and environmental conduit backshell system.

- Reliable conduit termination with integral environmental seal
- 360 degree screen termination feature for internal screen
- Separate earth tag may be specified for termination of individual screens
- No application tooling required for termination or re-work
- All components may be re-used
- May be supplied as individual adaptors or as complete system
- Comprehensive choice of standard conduit materials
- Backshells for circular and rectangular connectors
- Solid machined adaptor construction for reliable strength and performance
- Straight, 45 and 90° standard
- Alternative angles on request
- Aluminium, bronze and stainless steel



The Polamco conduit system has been designed to provide a series of fully screened, environmentally sealed cable assembly systems for commercial, mass transportation, test equipment and aerospace/defence applications.

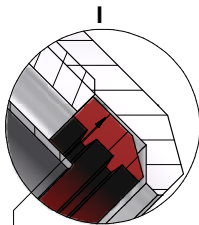
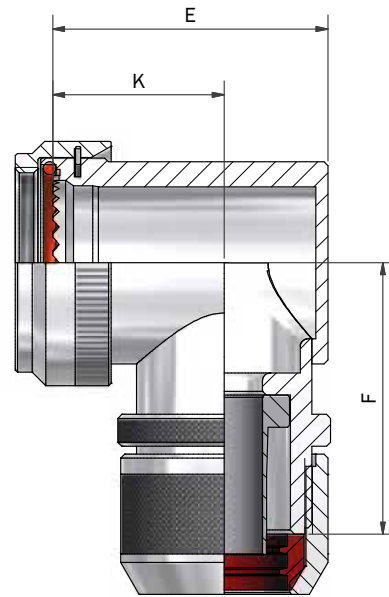
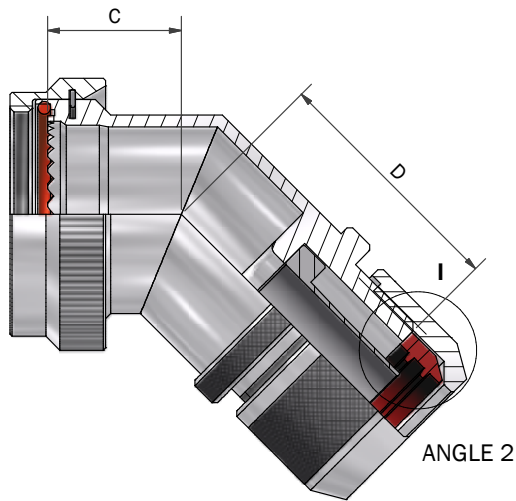
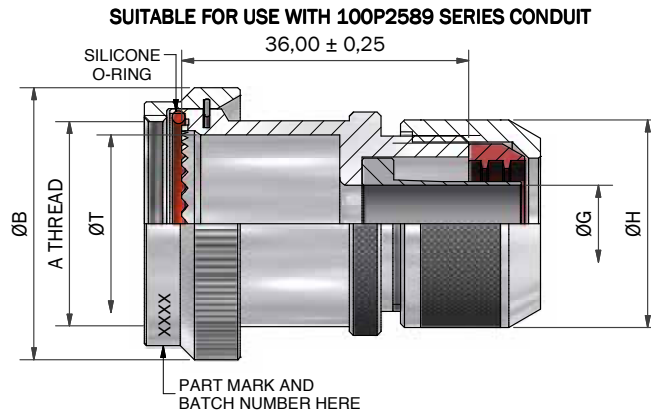
The Polamco conduit system can be supplied as component parts or as an assembled conduit to predetermined length and form. We offer a flexible service to enable a conduit system to be designed and built to the requirements of our customers.

63F - Conduit Backshell

Interface F - MIL-DTL-38999 SERIES I



Interconnect Solutions Worldwide



SILICONE SEAL
(NEOPRENE / NITRILE VERSIONS
AVAILABLE ON REQUEST)

DRAWING NOT TO SCALE, DIMENSIONS IN MM

See pages 18-26 for complete list of available materials, finishes and Connector interfaces
(dimensions, form and O Ring subject to change depending on Backshell material and Connector interface)

63F - Conduit Backshell

Interface F - MIL-DTL-38999 SERIES I



Interconnect Solutions Worldwide

TABLE 1

SHELL SIZE	A THREAD	ØB MAX	ØT MIN	C ±0,5	D MAX	E MAX	F MAX	K ±0,5
09	7/16-28 UNEF	18,0	6,8	16,4	27,2	22,7	35,3	15,0
11	9/16-24 UNEF	21,0	10,2	17,2	28,0	26,2	36,8	17,0
13	11/16-24 UNEF	24,5	13,1	17,6	28,6	29,2	38,3	18,0
15	13/16-20 UNEF	27,8	16,2	18,5	29,6	32,2	39,8	20,0
17	15/16-20 UNEF	30,8	19,3	19,2	30,2	35,7	41,5	21,5
19	1 1/16-18 UNEF	34,1	22,3	19,6	30,9	39,7	43,0	23,0
21	1 3/16-18 UNEF	37,3	25,8	20,4	31,2	42,2	44,7	25,0
23	1 5/16-18 UNEF	41,0	28,3	20,8	31,8	45,2	46,2	26,0
25	1 7/16-18 UNEF	43,7	31,5	21,7	32,5	48,2	47,7	28,0

TABLE 2

CONDUIT SIZE	ØG CABLE MAX	ØH MAX
13	7,7	23,0
16	9,5	26,0
21	13,4	31,0
28	17,6	38,0
34	22,4	46,0
42	28,6	56,0

TABLE 3

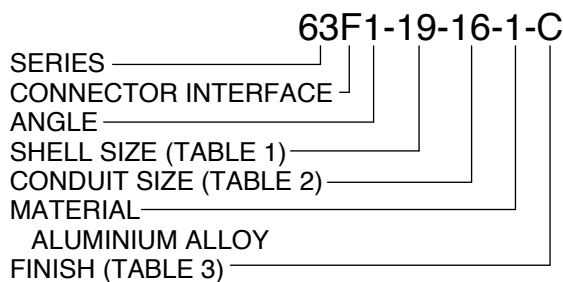
CODE	FINISH
C	ELECTROLESS NICKEL
B	CADMIUM OLIVE DRAB OVER ELECTROLESS NICKEL
ZB	ZINC COBALT OLIVE DRAB OVER ELECTROLESS NICKEL
ZN	ZINC NICKEL BLACK PASSIVATE OVER ELECTROLESS NICKEL

LIST NOT EXHAUSTIVE, SEE PLATING TABLE FOR OTHER OPTIONS

FOR PRODUCT CHARACTERISTICS SEE 100P2589 DATASHEET

TABLE 4

PART NUMBER (** - SIZE)	DESCRIPTION
100P2589-N6S-**	STANDARD WEIGHT POLYAMIDE (NYLON) 6
100P2589-N11S-**	STANDARD WEIGHT MODIFIED POLYAMIDE 11
100P2589-N11H-**	HEAVYWEIGHT MODIFIED POLYAMIDE 11
100P2589-PS-**	POLYESTER
100P2589-PKS-**	POLYKETONE (PEEK)



DRAWING NOT TO SCALE, DIMENSIONS IN MM

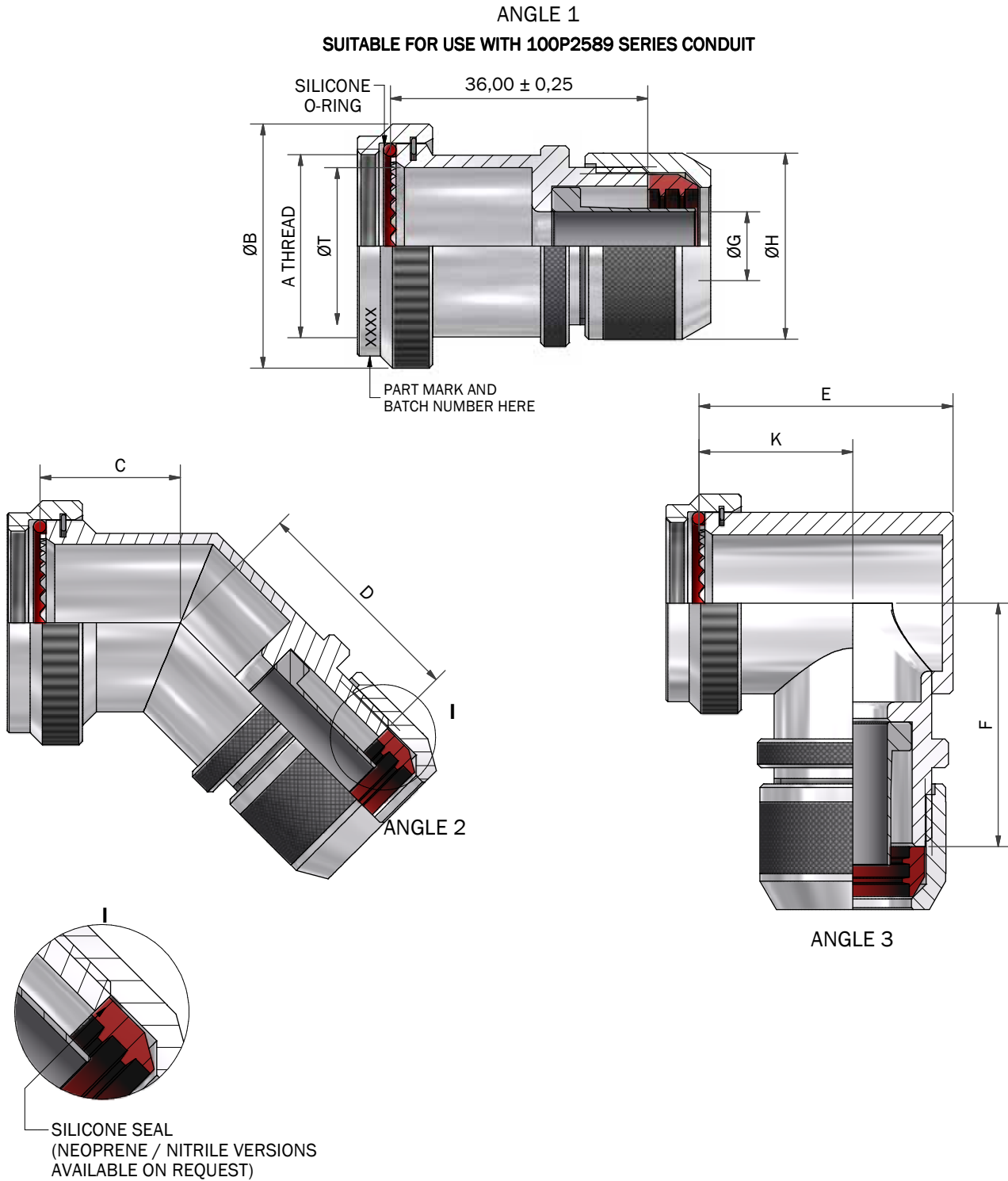
See pages 18-26 for complete list of available materials, finishes and Connector interfaces
(dimensions, form and O Ring subject to change depending on Backshell material and Connector interface)

63F - Conduit Backshell

Interface F - MIL-DTL-38999 SERIES II



Interconnect Solutions Worldwide



DRAWING NOT TO SCALE, DIMENSIONS IN MM

See pages 18-26 for complete list of available materials, finishes and Connector interfaces
(dimensions, form and O Ring subject to change depending on Backshell material and Connector interface)

63F - Conduit Backshell

Interface F - MIL-DTL-38999 SERIES II



Interconnect Solutions Worldwide

TABLE 1

SHELL SIZE	A THREAD	ØB MAX	ØT MIN	C ±0,5	D MAX	E MAX	F MAX	K ±0,5
08	7/16-28 UNEF	18,3	6,6	16,4	27,2	22,7	35,3	15,0
10	9/16-24 UNEF	21,5	10,1	17,2	28,0	26,2	36,8	17,0
12	11/16-24 UNEF	24,5	12,9	17,6	28,6	29,2	38,3	18,0
14	13/16-20 UNEF	27,8	16,1	18,5	29,6	32,2	39,8	20,0
16	15/16-20 UNEF	30,8	19,3	19,2	30,2	35,7	41,5	21,5
18	1 1/16-18 UNEF	34,1	21,7	19,6	30,9	39,7	43,0	23,0
20	1 3/16-18 UNEF	37,3	24,9	20,4	31,2	42,2	44,7	25,0
22	1 5/16-18 UNEF	40,5	28,1	20,8	31,8	45,2	46,2	26,0
24	1 7/16-18 UNEF	43,7	31,3	21,7	32,5	48,2	47,7	28,0

TABLE 2

CONDUIT SIZE	ØG CABLE MAX	ØH MAX
13	7,7	23,0
16	9,5	26,0
21	13,4	31,0
28	17,6	38,0
34	22,4	46,0
42	28,6	56,0

TABLE 3

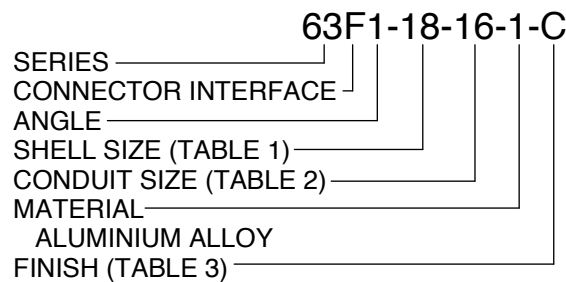
CODE	FINISH
C	ELECTROLESS NICKEL
B	CADMIUM OLIVE DRAB OVER ELECTROLESS NICKEL
ZB	ZINC COBALT OLIVE DRAB OVER ELECTROLESS NICKEL
ZN	ZINC NICKEL BLACK PASSIVATE OVER ELECTROLESS NICKEL

LIST NOT EXHAUSTIVE, SEE PLATING TABLE FOR OTHER OPTIONS

TABLE 4

PART NUMBER (** - SIZE)	DESCRIPTION
100P2589-N6S-**	STANDARD WEIGHT POLYAMIDE (NYLON) 6
100P2589-N11S-**	STANDARD WEIGHT MODIFIED POLYAMIDE 11
100P2589-N11H-**	HEAVYWEIGHT MODIFIED POLYAMIDE 11
100P2589-PS-**	POLYESTER
100P2589-PKS-**	POLYKETONE (PEEK)

FOR PRODUCT CHARACTERISTICS SEE 100P2589 DATASHEET



DRAWING NOT TO SCALE, DIMENSIONS IN MM

See pages 18-26 for complete list of available materials, finishes and Connector interfaces
(dimensions, form and O Ring subject to change depending on Backshell material and Connector interface)

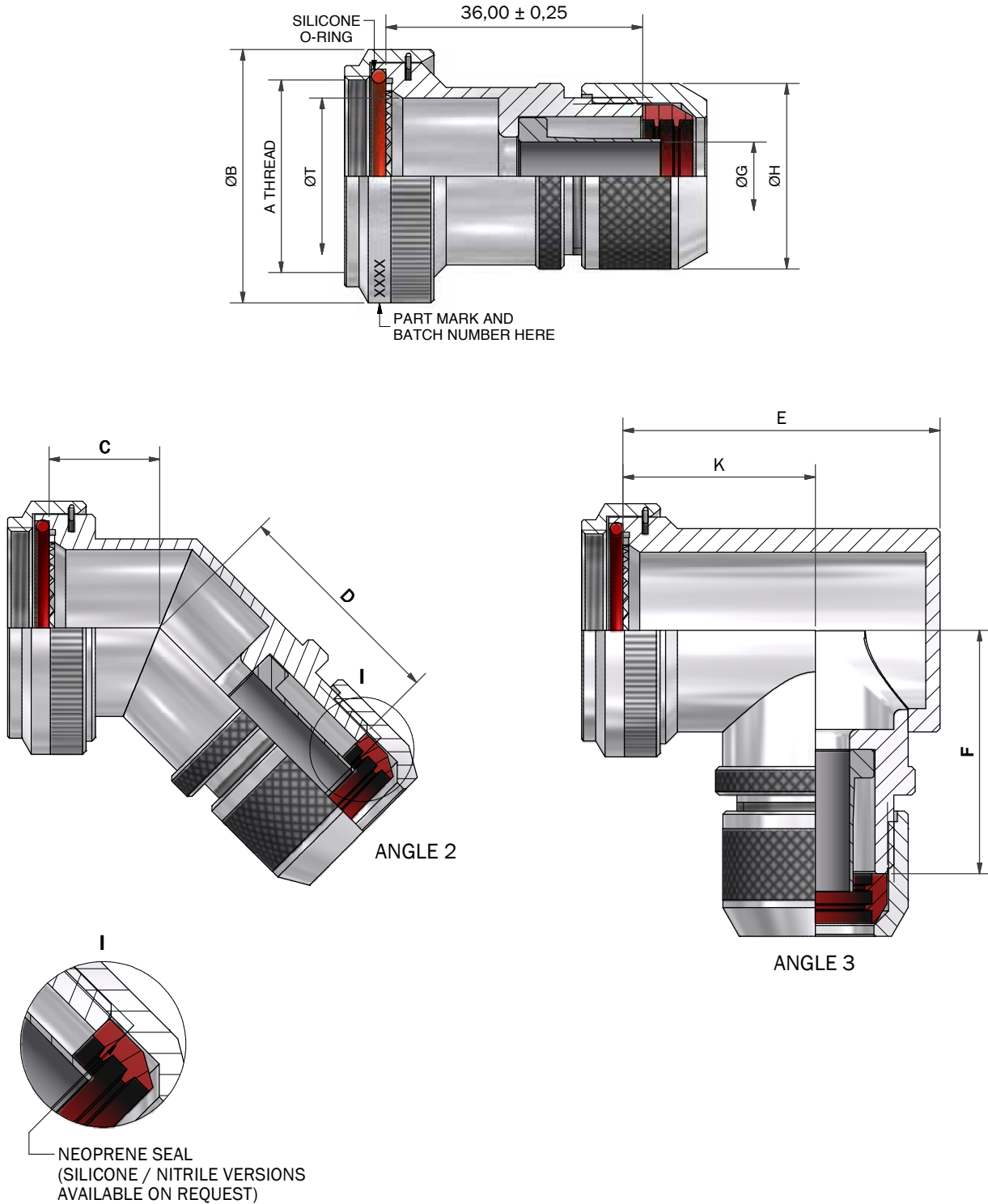
63H - Conduit Backshell

Interface H - MIL-DTL-38999 SERIES III & IV



Interconnect Solutions Worldwide

SUITABLE FOR USE WITH 100P2589 SERIES CONDUIT



DRAWING NOT TO SCALE, DIMENSIONS IN MM

See pages 18-26 for complete list of available materials, finishes and Connector interfaces
(dimensions, form and O Ring subject to change depending on Backshell material and Connector interface)

63H - Conduit Backshell

Interface H - MIL-DTL-38999 SERIES III & IV



Interconnect Solutions Worldwide

TABLE 1

SHELL SIZE	A THREAD	ØB MAX	ØT MIN	C MAX	D MAX	E MAX	F MAX	K ±0,5
09	M12 x 1.0	18,0	6,7	13,1	27,2	25,7	35,3	17,5
11	M15 x 1.0	21,0	10,2	13,9	28,0	26,7	36,8	17,5
13	M18 x 1.0	24,5	13,5	14,5	28,6	31,2	38,3	20,0
15	M22 x 1.0	29,0	16,2	15,5	29,6	37,2	39,8	24,5
17	M25 x 1.0	32,5	19,4	16,1	30,2	40,2	41,5	26,7
19	M28 x 1.0	35,5	21,8	16,8	30,9	44,7	43,0	27,0
21	M31 x 1.0	37,0	25,1	17,1	31,2	49,2	44,7	30,5
23	M34 x 1.0	40,0	28,2	17,7	31,8	41,7	46,2	31,5
25	M37 x 1.0	43,5	31,4	18,4	32,5	53,2	47,7	28,5

TABLE 2

CONDUIT SIZE	ØG CABLE MAX	ØH MAX
13	7,7	23,0
16	9,5	26,0
21	13,4	31,0
28	17,6	38,0
34	22,4	46,0
42	28,6	56,0

TABLE 3

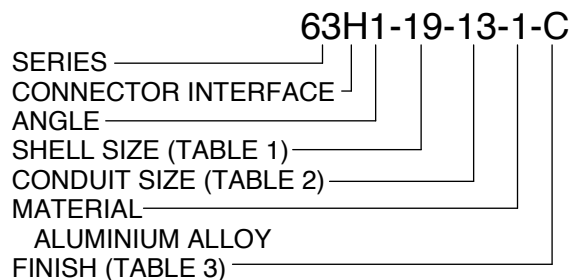
CODE	FINISH
C	ELECTROLESS NICKEL
B	CADMIUM OLIVE DRAB OVER ELECTROLESS NICKEL
ZB	ZINC COBALT OLIVE DRAB OVER ELECTROLESS NICKEL
ZN	ZINC NICKEL BLACK PASSIVATE OVER ELECTROLESS NICKEL

LIST NOT EXHAUSTIVE, SEE PLATING TABLE FOR OTHER OPTIONS

TABLE 4

PART NUMBER (** - SIZE)	DESCRIPTION
100P2589-N6S-**-**	STANDARD WEIGHT POLYAMIDE (NYLON) 6
100P2589-N11S-**-**	STANDARD WEIGHT MODIFIED POLYAMIDE 11
100P2589-N11H-**-**	HEAVYWEIGHT MODIFIED POLYAMIDE 11
100P2589-PS-**-**	POLYESTER
100P2589-PKS-**-**	POLYKETONE (PEEK)

FOR PRODUCT CHARACTERISTICS SEE 100P2589 DATASHEET



DRAWING NOT TO SCALE, DIMENSIONS IN MM

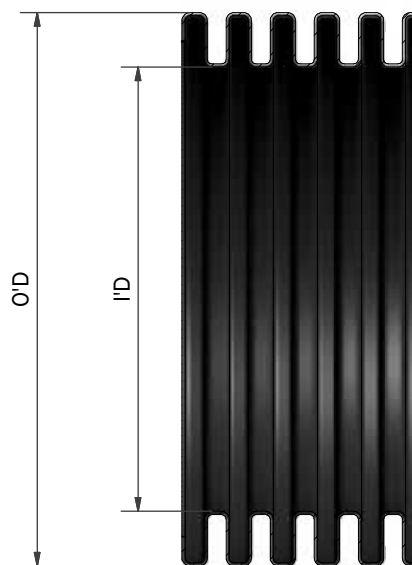
See pages 18-26 for complete list of available materials, finishes and Connector interfaces
(dimensions, form and O Ring subject to change depending on Backshell material and Connector interface)

100P2589 - Non-Metallic Conduit

Suitable for use with Polamco 63 Series



Interconnect Solutions Worldwide



100P2589-N11S-34-25

POLAMCO SERIES —
 MATERIAL (TABLE 1) —
 WEIGHT —
 S - STANDARD
 H - HEAVY
 NOMINAL SIZE (TABLE 2) —
 REEL LENGTH (M) (TABLE 2) —

TABLE 1

CODE	WEIGHT	MATERIAL	TEMPERATURE RANGE - STATIC	TEMPERATURE RANGE - DYNAMIC	UV RESISTANCE	FLEXIBILITY	FATIGUE LIFE	FIRE PERFORMANCE
N6S	STANDARD	POLYAMIDE (NYLON) 6	-40°C / +120°C	-5°C / +120°C	VERY HIGH	HIGH	HIGH	LOW FIRE HAZARD
N6SM	STANDARD	MODIFIED POLYAMIDE (NYLON) 6	-40°C / +120°C	-5°C / +120°C	VERY HIGH	HIGH	MEDIUM	ENHANCED LOW FIRE HAZARD
N11S	STANDARD	MODIFIED POLYAMIDE 11	-50°C / +110°C	-45°C / +120°C	VERY HIGH	VERY HIGH	VERY HIGH	SELF EXTINGUISHING HALOGEN FREE
N11H	HEAVY	MODIFIED POLYAMIDE 11	-50°C / +110°C	-45°C / +120°C	VERY HIGH	VERY HIGH	VERY HIGH	SELF EXTINGUISHING HALOGEN FREE
PS	STANDARD	POLYESTER	-50°C / +135°C	-25°C / +150°C	VERY HIGH	HIGH	HIGH	SELF EXT. HF, LOW SMOKE, VERY LOW TOXICITY
PKS	STANDARD	POLYKETONE (PEEK)	-60°C / +260°C	-45°C / +260°C	VERY HIGH	HIGH	HIGH	SUPER LOW FIRE HAZARD

CONTACT SALES OFFICE FOR PRODUCT APPROVALS & OTHER MATERIALS, SIZES & LENGTHS AVAILABLE

DRAWING NOT TO SCALE, DIMENSIONS IN MM

See pages 18-26 for complete list of available materials, finishes and Connector interfaces
 (dimensions, form and O Ring subject to change depending on Backshell material and Connector interface)

100P2589 - Non-Metallic Conduit

Suitable for use with Polamco 63 Series



Interconnect Solutions Worldwide

TABLE 2

PART NUMBER	OUTSIDE DIA (MM)	INSIDE DIA (MM)	MIN BEND RADIUS (MM)	REEL LENGTH (M)	RECOMMENDED SCREENBRAID *
100P2589-N6S-13	13.0	9.6	25	50	PE93-10.0-T
100P2589-N6S-16	15.8	11.8	35	10 / 25 / 50	PE93-12.5-T
100P2589-N6S-21	21.2	16.5	45	10 / 25 / 50	PE93-15.0-T
100P2589-N6S-28	28.5	21.7	50	10 / 25 / 50	PE93-20.0-T
100P2589-N6S-34	34.5	27.7	60	10 / 25 / 50	PE93-25.0-T
100P2589-N6S-42	42.5	35.2	65	10 / 25	PE93-30.0-T
100P2589-N6SM-13	13.0	9.4	35	50	PE93-10.0-T
100P2589-N6SM-16	15.8	11.7	45	50	PE93-12.5-T
100P2589-N6SM-21F	21.2	16.6	60	50	PE93-15.0-T
100P2589-N6SM-21C	21.2	14.7	60	50	PE93-15.0-T
100P2589-N6SM-28	28.5	21.7	70	50	PE93-20.0-T
100P2589-N6SM-34	34.5	27.7	75	50	PE93-25.0-T
100P2589-N6SM-42	42.5	35.1	90	25	PE93-30.0-T
100P2589-N11S-13	13.0	9.9	25	50	PE93-10.0-T
100P2589-N11S-16	15.8	11.7	30	50	PE93-12.5-T
100P2589-N11S-21	21.2	16.6	35	50	PE93-15.0-T
100P2589-N11S-28	28.5	21.7	45	50	PE93-20.0-T
100P2589-N11S-34	34.5	27.7	55	25	PE93-25.0-T
100P2589-N11S-42	42.5	35.5	60	25	PE93-30.0-T
100P2589-N11H-13	13.0	9.7	30	50	PE93-10.0-T
100P2589-N11H-16	15.8	11.5	35	50	PE93-12.5-T
100P2589-N11H-21	21.2	16.4	40	50	PE93-15.0-T
100P2589-N11H-28	28.5	21.5	50	50	PE93-20.0-T
100P2589-N11H-34	34.5	27.5	60	25	PE93-25.0-T
100P2589-N11H-42	42.5	35.3	65	25	PE93-30.0-T
100P2589-PS-13	13.0	9.5	35	50	PE93-10.0-T
100P2589-PS-16	15.8	11.3	45	50	PE93-12.5-T
100P2589-PS-21	21.2	16.0	60	50	PE93-15.0-T
100P2589-PS-28	28.5	21.3	70	50	PE93-20.0-T
100P2589-PS-34	34.5	27.2	75	50	PE93-25.0-T
100P2589-PS-42	42.5	34.2	90	25	PE93-30.0-T
100P2589-PKS-13	13.2	10.0	35	25 / 50	PE93-10.0-T
100P2589-PKS-16	16.3	11.7	45	25 / 50	PE93-12.5-T
100P2589-PKS-21	21.2	16.6	60	25 / 50	PE93-15.0-T
100P2589-PKS-28	28.4	21.7	65	25 / 50	PE93-20.0-T
100P2589-PKS-34	34.3	27.7	80	25 / 50	PE93-25.0-T

* TINNED COPPER SCREENBRAID 93 - OTHER TYPES AVAILABLE

DRAWING NOT TO SCALE, DIMENSIONS IN MM

See pages 18-26 for complete list of available materials, finishes and Connector interfaces
(dimensions, form and O Ring subject to change depending on Backshell material and Connector interface)

Section Index

8	Backshell Product Finder
16	Product Information
29	Screened Backshells
275	Non-Screened Backshells
323	Conduit Backshells & Conduit
333	Thread Adaptors & Extenders
1	Associated Products
356	Glossary & Terms

Thread Adaptors & Extenders

Thread Adaptors

Thread Adaptors in male/female thread available in:

- Metric
- PG
- Unified
- NPT

Backshell assembly that provides universal Metric, Unified, PG or NPT thread interface. A variety of thread sizes can be specified for each connector shell size, together with a wide choice of backshell length options

Characteristics

- Threads independent of connector shell size
- PG, unified, NPT and metric threads available, male and female for each
- Aluminium, Bronze, Stainless Steel and Composite options and a large range of materials and finishes
- Straight, 45° and 90° standard
- Alternative angles on request
- Wide choice of lengths for extenders
- Direct and spin coupling options available
- Fully shrouded and sealed series I & III interface

- Maintains the low resistance requirements for EMC gland termination, subject to appropriate plating

Extenders

Extender backshells are an intermediate adaptor between the connector and normal backshell, used where extra length is required between connector and backshell.

The rear of the extender backshell mimics the accessory thread of the connector, so the same “rear” backshell can be used, regardless of whether the extender backshell is present or not.

This means that EMC, sealing (in the case of series I & III) and tooth “clocking” are maintained, and that extender backshells can be chained, e.g. two 45° extender backshells would make a 90° assembly with a large bend radius.

Double Ended Backshells also available for joining connectors back-to-back.

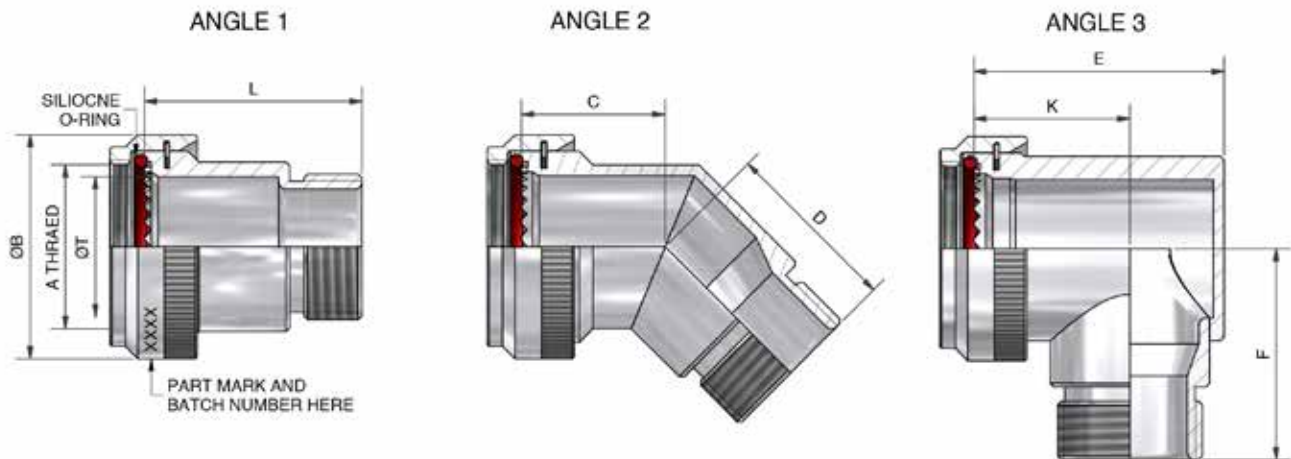


Metric / Unified / PG / NPT Thread Adaptor

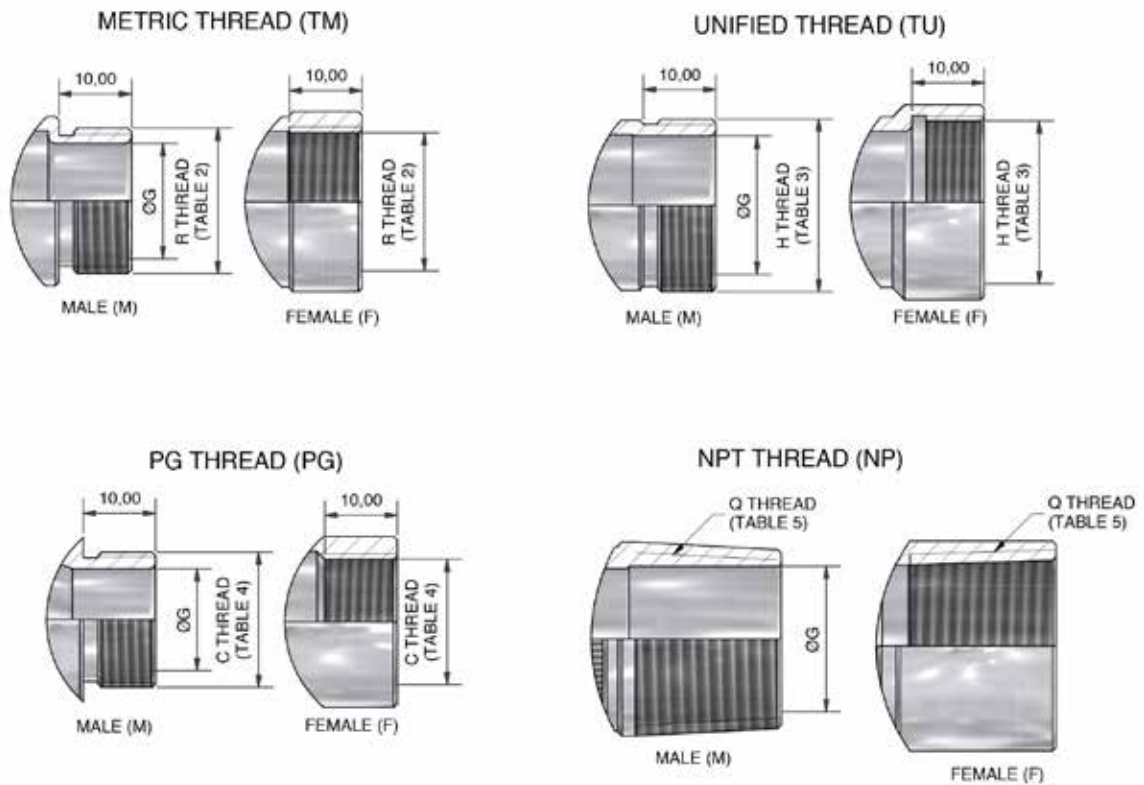
Interface F - MIL-DTL-38999 SERIES I



Interconnect Solutions Worldwide



ALL THREAD TYPES AVAILABLE IN EACH OF THE ANGLES.
PLEASE SEE OPPOSITE PAGE FOR PART NUMBER CONFIGURATION



DRAWING NOT TO SCALE, DIMENSIONS IN MM

See pages 18-26 for complete list of available materials, finishes and Connector interfaces
(dimensions, form and O Ring subject to change depending on Backshell material and Connector interface)

Metric / Unified / PG / NPT Thread Adaptor

Interface F - MIL-DTL-38999 SERIES I



Interconnect Solutions Worldwide

TABLE 1

SHELL SIZE	A THREAD	ØB MAX	ØT MIN	C ±0,5	D(TM,TU, PG) MAX	D(NPM) MAX	D(NPF) MAX	E MAX	F(TM,TU, PG) ± 0,4	K ±0,5
09	7/16-28UNEF	18,0	6,8	16,4	22,0	24,1	19,0	22,7	21,5	15,0
11	9/16-24UNEF	21,0	10,2	17,2	22,5	24,3	19,0	26,2	23,0	17,0
13	11/16-24UNEF	24,5	13,1	17,6	23,0	28,9	22,6	29,2	25,0	18,0
15	13/16-20UNEF	27,8	16,2	18,5	23,5	29,2	23,1	32,2	27,0	20,0
17	15/16-20UNEF	30,8	19,3	19,2	24,5	34,0	24,6	35,7	29,0	21,5
19	1 1/16-18UNEF	34,1	22,3	19,6	25,5	34,6	25,1	39,7	30,5	23,0
21	1 3/16-18UNEF	37,3	25,8	20,4	26,0	35,2	25,1	42,2	31,0	25,0
23	1 5/16-18UNEF	41,0	28,3	20,8	26,5	35,9	26,7	45,2	32,5	26,0
25	1 7/16-18UNEF	43,7	31,5	21,7	27,0	47,4	32,7	48,2	34,5	28,0

TABLE 1: LENGTH 'F MAX' FOR NPM THREAD

SHELL SIZE NPT	09	11	13	15	17	19	21	23	25
0250	30,3	32,1	33,6	35,1	36,8	38,0	40,0	41,5	43,0
0375	30,5	32,3	33,8	35,3	37,0	38,2	40,2	41,7	43,2
0500	35,1	36,9	38,4	39,9	41,6	42,8	44,8	46,3	47,8
0750	35,4	37,2	38,7	40,2	41,9	43,1	45,1	46,6	48,1
1000	40,2	42,0	43,5	45,0	46,7	47,9	49,9	51,4	52,9
1250	40,8	42,6	44,1	45,6	47,3	48,5	50,5	52,0	53,5
1500	41,2	43,0	44,5	46,0	47,7	48,9	50,9	52,4	53,9
2000	42,1	43,8	45,3	46,9	48,6	49,8	51,8	53,3	54,8
2500	53,6	55,4	56,9	58,4	60,1	61,3	63,3	64,8	66,3

TABLE 1: LENGTH 'F MAX' FOR NPF THREAD

SHELL SIZE NPT	09	11	13	15	17	19	21	23	25
0250	25,2	27,0	28,5	29,0	31,0	31,0	32,0	32,0	35,0
0375	25,2	27,0	28,5	29,0	31,0	31,0	32,0	32,0	35,0
0500	28,8	30,5	32,0	32,0	34,0	34,0	36,0	36,0	39,0
0750	29,3	31,0	32,5	34,0	35,0	35,0	36,0	36,0	39,0
1000	30,8	32,6	34,1	36,0	38,0	38,0	39,0	39,0	42,0
1250	31,3	33,1	34,6	36,0	38,0	38,0	39,0	39,0	43,0
1500	31,3	33,1	34,6	36,0	38,0	38,0	39,0	39,0	43,0
2000	32,9	34,7	36,2	37,0	39,0	39,0	40,0	40,0	43,0
2500	38,9	40,6	42,1	46,0	48,0	48,0	50,0	50,0	53,0

TABLE 2: METRIC THREAD (TM)

DASH NUMBER	R THREAD	ØG
16	M16x1.5	11,85
20	M20x1.5	15,85
22	M22x1.5	17,85
25	M25x1.5	20,85
32	M32x1.5	27,85
40	M40x1.5	35,85

TABLE 3: UNIFIED THREAD (TU)

DASH NUMBER	H THREAD	ØG
04	7/16-28UNEF	6,35
05	1/2-20UNF	7,92
06	9/16-24UNEF	9,52
07	5/8-24UNEF	11,12
08	11/16-24UNEF	12,70
09	3/4-20UNEF	14,27
10	13/16-20UNEF	15,88
11	7/8-20UNEF	17,46
12	15/16-20UNEF	19,05
13	1-20UNEF	20,64
14	1 1/16-18UNEF	22,23
15	1 1/8-18UNEF	23,81
16	1 3/16-18UNEF	25,40
17	1 1/4-18UNEF	26,99
18	1 5/16-18UNEF	28,58
19	1 3/8-18UNEF	30,16
21	1 1/2-18UNEF	33,34
23	1 5/8-18UNEF	36,51

TABLE 4: PG THREAD (PG)

DASH NUMBER	C THREAD	ØG
7	PG7	8,0
9	PG9	10,6
11	PG11	14,0
13.5	PG13.5	15,8
16	PG16	17,9
21	PG21	23,5
29	PG29	32,1

TABLE 5: NPT THREAD (NP)

DASH NUMBER	Q THREAD DESIGNATION	ØG	L(M) MIN	L(F) MIN
0250	1/4 NPT	7,60	25,00	25,00
0375	3/8 NPT	11,00	26,00	26,00
0500	1/2 NPT	14,70	30,00	30,00
0750	3/4 NPT	20,00	30,00	30,00
1000	1 NPT	26,20	35,00	35,00
1250	1 1/4 NPT	35,00	36,00	36,00
1500	1 1/2 NPT	41,00	36,00	36,00
2000	2 NPT	53,00	37,00	37,00
2500	2 1/2 NPT	64,50	50,00	50,00

TABLE 6

CODE	MATERIAL / PLATING
1-C	ALUMINIUM / ELECTROLESS NICKEL
1-B	ALUMINIUM / CADMIUM OLIVE DRAB OVER ELECTROLESS NICKEL
1-ZB	ALUMINIUM / ZINC COBALT OLIVE DRAB OVER ELECTROLESS NICKEL
1-ZN	ALUMINIUM / ZINC NICKEL BLACK PASSIVATE OVER ELECTROLESS NICKEL

LIST NOT EXHAUSTIVE, SEE PLATING TABLE FOR OTHER OPTIONS

TMMF1-17-20-1-C-L30

SERIES _____
 TM - METRIC THREAD
 TU - UNIFIED THREAD
 PG - PG THREAD
 NP - NPT THREAD
 ORIENTATION _____
 M - MALE
 F - FEMALE
 CONNECTOR INTERFACE _____
 ANGLE _____
 ORDER NUMBER (TABLE 1) _____
 DASH NUMBER _____
 DEPENDS ON THREAD - TABLE 2, 3, 4 & 5
 MATERIAL (TABLE 6) _____
 FINISH (TABLE 6) _____
 LENGTH CODE IN MM (STRAIGHT ONLY) _____
 5MM INCREMENTS, MIN LENGTH 25,00MM,
 EXCEPT FOR NPT THREAD - SEE TABLE 5

DRAWING NOT TO SCALE, DIMENSIONS IN MM

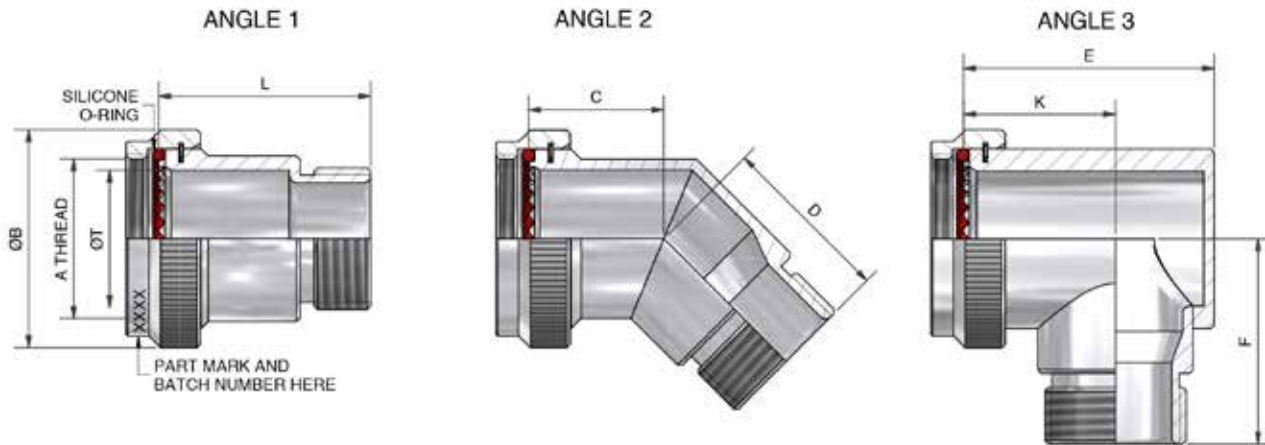
See pages 18-26 for complete list of available materials, finishes and Connector interfaces
 (dimensions, form and O Ring subject to change depending on Backshell material and Connector interface)

Metric / Unified / PG / NPT Thread Adaptor

Interface F - MIL-DTL-38999 SERIES II

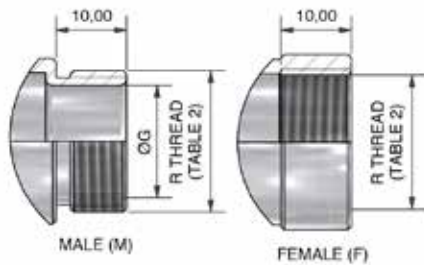


Interconnect Solutions Worldwide

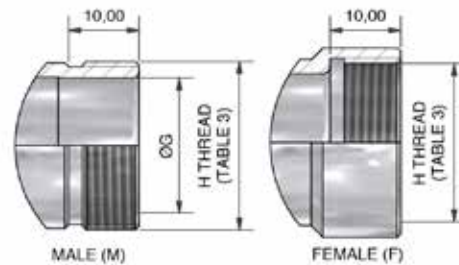


ALL THREAD TYPES AVAILABLE IN EACH OF THE ANGLES.
PLEASE SEE OPPOSITE PAGE FOR PART NUMBER CONFIGURATION

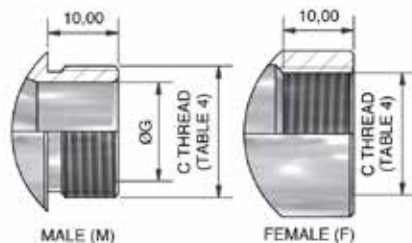
METRIC THREAD (TM)



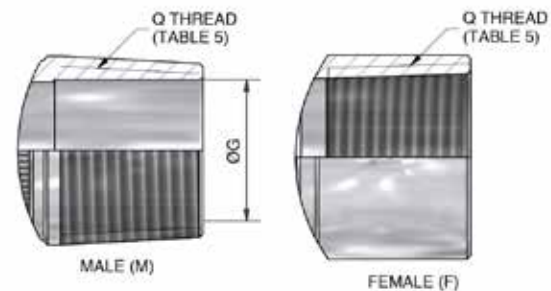
UNIFIED THREAD (TU)



PG THREAD (PG)



NPT THREAD (NP)



DRAWING NOT TO SCALE, DIMENSIONS IN MM

See pages 18-26 for complete list of available materials, finishes and Connector interfaces
(dimensions, form and O Ring subject to change depending on Backshell material and Connector interface)

Metric / Unified / PG / NPT Thread Adaptor

Interface F - MIL-DTL-38999 SERIES II



Interconnect Solutions Worldwide

TABLE 1

SHELL SIZE	A THREAD	ØB MAX	ØT MIN	C ±0,5	D(TM,TU, PG) MAX	D(NPM) MAX	D(NPF) MAX	E MAX	F(TM,TU, PG) ± 0,4	K ±0,5
08	7/16-28UNEF	18,3	6,6	16,4	22,0	24,1	19,0	22,7	21,5	15,0
10	9/16-24UNEF	21,5	10,0	17,2	22,5	24,3	19,0	26,2	23,0	17,0
12	11/16-24UNEF	24,5	12,9	17,6	23,0	28,9	22,6	29,2	25,0	18,0
14	13/16-20UNEF	27,8	16,1	18,5	23,5	29,2	23,1	32,2	27,0	20,0
16	15/16-20UNEF	30,8	19,3	19,2	24,5	34,0	24,6	35,7	29,0	21,5
18	1 1/16-18UNEF	34,1	21,7	19,6	25,5	34,6	25,1	39,7	30,5	23,0
20	1 3/16-18UNEF	37,3	24,8	20,4	26,0	35,2	25,1	42,2	31,0	25,0
22	1 5/16-18UNEF	40,5	28,2	20,8	26,5	35,9	26,7	45,2	32,5	26,0
24	1 7/16-18UNEF	43,7	31,3	21,7	27,0	47,4	32,7	48,2	34,5	28,0

TABLE 1: LENGTH 'F' MAX' FOR NPM THREAD

SHELL SIZE NPT	08	10	12	14	16	18	20	22	24
0250	30,3	32,1	33,6	35,1	36,8	38,4	40,0	41,5	43,0
0375	30,5	32,3	33,8	35,3	37,0	38,6	40,2	41,7	43,2
0500	35,1	36,9	38,4	39,9	41,6	43,2	44,8	46,3	47,8
0750	35,4	37,2	38,7	40,2	41,9	43,5	45,1	46,6	48,1
1000	40,2	42,0	43,5	45,0	46,7	48,3	49,9	51,4	52,9
1250	40,8	42,6	44,1	45,6	47,3	48,9	50,5	52,0	53,5
1500	41,3	43,0	44,5	46,0	47,7	49,3	50,9	52,4	53,9
2000	42,1	43,9	45,4	46,9	48,6	50,2	51,8	53,3	54,8
2500	53,6	55,4	56,9	58,4	60,0	61,7	63,3	64,8	66,3

TABLE 1: LENGTH 'F' MAX' FOR NPF THREAD

SHELL SIZE NPT	08	10	12	14	16	18	20	22	24
0250	25,2	27,0	28,5	29,0	31,0	31,0	32,0	32,0	35,0
0375	25,2	27,0	28,5	29,0	31,0	31,0	32,0	32,0	35,0
0500	28,8	30,5	32,0	32,0	34,0	34,0	36,0	36,0	39,0
0750	29,3	31,0	32,5	34,0	35,0	35,0	36,0	36,0	39,0
1000	30,8	32,6	34,1	36,0	38,0	38,0	39,0	39,0	42,0
1250	31,3	33,1	34,6	36,0	38,0	38,0	39,0	39,0	43,0
1500	31,3	33,1	34,6	36,0	38,0	38,0	39,0	39,0	43,0
2000	32,9	34,7	36,2	37,0	39,0	39,0	40,0	40,0	43,0
2500	38,9	40,6	42,1	46,0	48,0	48,0	50,0	50,0	53,0

TABLE 2: METRIC THREAD (TM)

DASH NUMBER	R THREAD	ØG
16	M16x1,5	11,85
20	M20x1,5	15,85
22	M22x1,5	17,85
25	M25x1,5	20,85
32	M32x1,5	27,85
40	M40x1,5	35,85

TABLE 3: UNIFIED THREAD (TU)

DASH NUMBER	H THREAD	ØG
04	7/16-28UNEF	6,35
05	1/2-20UNF	7,92
06	9/16-24UNEF	9,52
07	5/8-24UNEF	11,12
08	11/16-24UNEF	12,70
09	3/4-20UNEF	14,27
10	13/16-20UNEF	15,88
11	7/8-20UNEF	17,46
12	15/16-20UNEF	19,05
13	1-20UNEF	20,64
14	1 1/16-18UNEF	22,23
15	1 1/8-18UNEF	23,81
16	1 3/16-18UNEF	25,40
17	1 1/4-18UNEF	26,99
18	1 5/16-18UNEF	28,58
19	1 3/8-18UNEF	30,16
21	1 1/2-18UNEF	33,34
23	1 5/8-18UNEF	36,51

TABLE 4: PG THREAD (PG)

DASH NUMBER	C THREAD	ØG
7	PG7	8,0
9	PG9	10,6
11	PG11	14,0
13.5	PG13.5	15,8
16	PG16	17,9
21	PG21	23,5
29	PG29	32,1

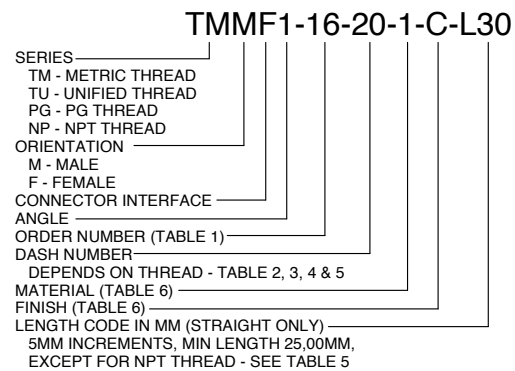
TABLE 5: NPT THREAD (NP)

DASH NUMBER	Q THREAD DESIGNATION	ØG	L(M) MIN	L(F) MIN
0250	1/4 NPT	7,60	25,00	25,00
0375	3/8 NPT	11,00	26,00	26,00
0500	1/2 NPT	14,70	30,00	30,00
0750	3/4 NPT	20,00	30,00	30,00
1000	1 NPT	26,20	35,00	35,00
1250	1 1/4 NPT	35,00	36,00	36,00
1500	1 1/2 NPT	41,00	36,00	36,00
2000	2 NPT	53,00	37,00	37,00
2500	2 1/2 NPT	64,50	50,00	50,00

TABLE 6

CODE	MATERIAL / PLATING
1-C	ALUMINIUM / ELECTROLESS NICKEL
1-B	ALUMINIUM / CADMIUM OLIVE DRAB OVER ELECTROLESS NICKEL
1-ZB	ALUMINIUM / ZINC COBALT OLIVE DRAB OVER ELECTROLESS NICKEL
1-ZN	ALUMINIUM / ZINC NICKEL BLACK PASSIVATE OVER ELECTROLESS NICKEL

LIST NOT EXHAUSTIVE, SEE PLATING TABLE FOR OTHER OPTIONS



DRAWING NOT TO SCALE, DIMENSIONS IN MM

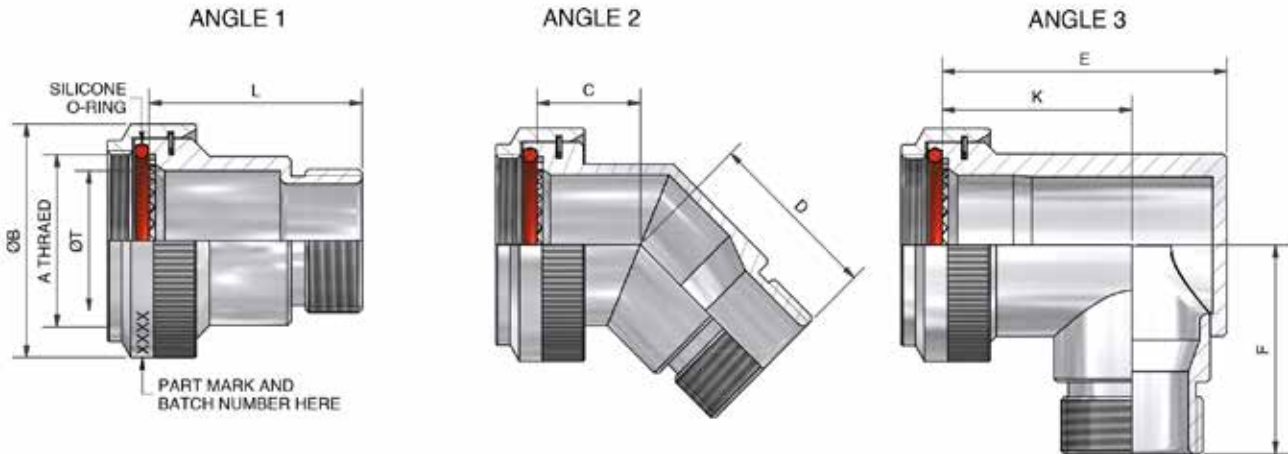
See pages 18-26 for complete list of available materials, finishes and Connector interfaces
(dimensions, form and O Ring subject to change depending on Backshell material and Connector interface)

Metric / Unified / PG / NPT Thread Adaptor

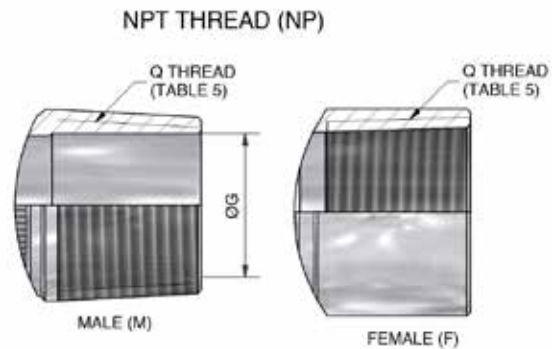
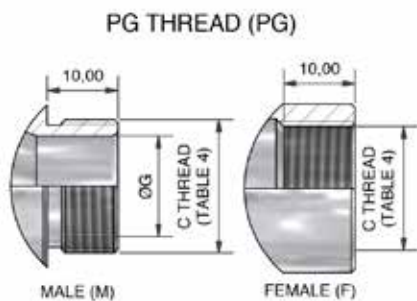
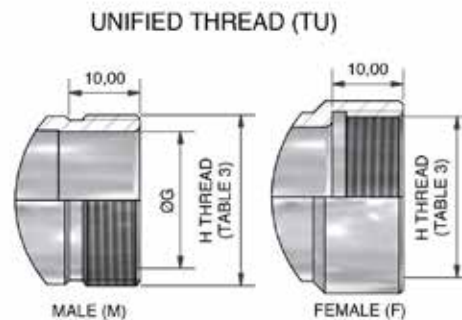
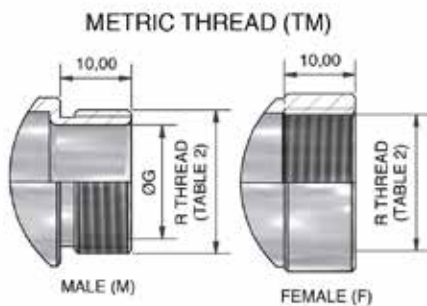
Interface H - MIL-DTL-38999 SERIES III & IV



Interconnect Solutions Worldwide



ALL THREAD TYPES AVAILABLE IN EACH OF THE ANGLES.
PLEASE SEE OPPOSITE PAGE FOR PART NUMBER CONFIGURATION



DRAWING NOT TO SCALE, DIMENSIONS IN MM

See pages 18-26 for complete list of available materials, finishes and Connector interfaces
(dimensions, form and O Ring subject to change depending on Backshell material and Connector interface)

Metric / Unified / PG / NPT Thread Adaptor

Interface H - MIL-DTL-38999 SERIES III & IV



Interconnect Solutions Worldwide

TABLE 1

SHELL SIZE	A THREAD	ØB MAX	ØT MIN	C ±0,5	D(TM,TU, PG) MAX	D(NPM) MAX	D(NPF) MAX	E MAX	F(TM,TU, PG) ± 0,4	K ±0,5
09	M12x1.0	18,0	6,7	13,1	22,0	24,1	19,0	25,7	21,5	17,5
11	M15x1.0	21,0	10,2	13,9	22,5	24,3	19,0	26,7	23,0	17,5
13	M18x1.0	24,5	13,5	14,5	23,0	28,9	22,6	31,2	25,0	20,0
15	M22x1.0	29,0	16,2	15,5	23,5	29,2	23,1	37,2	27,0	24,5
17	M25x1.0	32,5	19,4	16,1	24,5	34,0	24,6	40,2	29,0	26,7
19	M28x1.0	35,5	21,8	16,8	25,5	34,6	25,1	44,7	30,5	27,0
21	M31x1.0	37,0	25,1	17,1	26,0	35,2	25,1	49,2	31,0	30,5
23	M34x1.0	40,0	28,2	17,7	26,5	35,9	26,7	51,7	32,5	31,5
25	M37x1.0	43,5	31,4	18,4	27,0	47,4	32,7	53,2	34,5	28,5

TABLE 1: LENGTH 'F' MAX' FOR NPM THREAD

SHELL SIZE / NPT	09	11	13	15	17	19	21	23	25
0250	30,3	32,1	33,6	35,1	36,8	38,4	40,0	41,5	43,0
0375	30,5	32,3	33,8	35,3	37,0	38,6	40,2	41,7	43,2
0500	35,1	36,9	38,4	39,9	41,6	43,2	44,8	46,3	47,8
0750	35,4	37,2	38,7	40,2	41,9	43,5	45,1	46,6	48,1
1000	40,2	42,0	43,5	45,0	46,7	48,3	49,9	51,4	52,9
1250	40,8	42,6	44,1	45,6	47,3	48,9	50,5	52,0	53,5
1500	41,2	43,0	44,5	46,0	47,7	49,3	50,9	52,4	53,9
2000	42,1	43,8	45,3	46,9	48,6	50,1	51,8	53,3	54,8
2500	53,6	55,4	56,9	58,4	60,1	61,7	63,3	64,8	66,3

TABLE 1: LENGTH 'F' MAX' FOR NPF THREAD

SHELL SIZE / NPT	09	11	13	15	17	19	21	23	25
0250	25,2	27,0	28,5	29,0	31,0	31,0	32,0	32,0	35,0
0375	25,2	27,0	28,5	29,0	31,0	31,0	32,0	32,0	35,0
0500	28,8	30,5	32,0	32,0	34,0	34,0	36,0	36,0	39,0
0750	29,3	31,0	32,5	34,0	35,0	35,0	36,0	36,0	39,0
1000	30,8	32,6	34,1	36,0	38,0	38,0	39,0	39,0	42,0
1250	31,3	33,1	34,6	36,0	38,0	38,0	39,0	39,0	43,0
1500	31,3	33,1	34,6	36,0	38,0	38,0	39,0	39,0	43,0
2000	32,9	34,7	36,2	37,0	39,0	39,0	40,0	40,0	43,0
2500	38,9	40,6	42,1	46,0	48,0	48,0	50,0	50,0	53,0

TABLE 2: METRIC THREAD (TM)

DASH NUMBER	R THREAD	ØG
16	M16x1.5	11,85
20	M20x1.5	15,85
22	M22x1.5	17,85
25	M25x1.5	20,85
32	M32x1.5	27,85
40	M40x1.5	35,85

TABLE 3: UNIFIED THREAD (TU)

DASH NUMBER	H THREAD	ØG
04	7/16-28UNEF	6,35
05	1/2-20UNF	7,92
06	9/16-24UNEF	9,52
07	5/8-24UNEF	11,12
08	11/16-24UNEF	12,70
09	3/4-20UNEF	14,27
10	13/16-20UNEF	15,88
11	7/8-20UNEF	17,46
12	15/16-20UNEF	19,05
13	1-20UNEF	20,64
14	1 1/16-18UNEF	22,23
15	1 1/8-18UNEF	23,81
16	1 3/16-18UNEF	25,40
17	1 1/4-18UNEF	26,99
18	1 5/16-18UNEF	28,58
19	1 3/8-18UNEF	30,16
21	1 1/2-18UNEF	33,34
23	1 5/8-18UNEF	36,51

TABLE 4: PG THREAD (PG)

DASH NUMBER	C THREAD	ØG
7	PG7	8,0
9	PG9	10,6
11	PG11	14,0
13,5	PG13,5	15,8
16	PG16	17,9
21	PG21	23,5
29	PG29	32,1

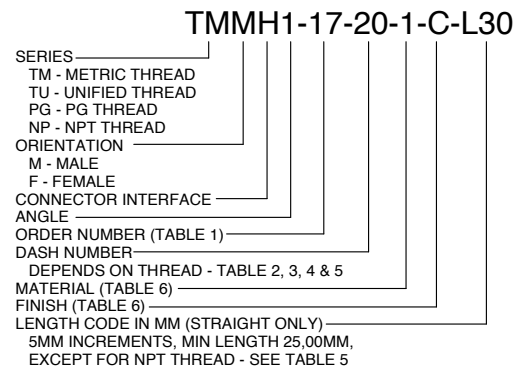
TABLE 5: NPT THREAD (NP)

DASH NUMBER	Q THREAD DESIGNATION	ØK MIN	L(M) MIN	L(F) MIN
0250	1/4 NPT	7,60	25,00	25,00
0375	3/8 NPT	11,00	26,00	26,00
0500	1/2 NPT	14,70	30,00	30,00
0750	3/4 NPT	20,00	30,00	30,00
1000	1 NPT	26,20	35,00	35,00
1250	1 1/4 NPT	35,00	36,00	36,00
1500	1 1/2 NPT	41,00	36,00	36,00
2000	2 NPT	53,00	37,00	37,00
2500	2 1/2 NPT	64,50	50,00	50,00

TABLE 6

CODE	MATERIAL / PLATING
1-C	ALUMINIUM / ELECTROLESS NICKEL
1-B	ALUMINIUM / CADMIUM OLIVE DRAB OVER ELECTROLESS NICKEL
1-ZB	ALUMINIUM / ZINC COBALT OLIVE DRAB OVER ELECTROLESS NICKEL
1-ZN	ALUMINIUM / ZINC NICKEL BLACK PASSIVATE OVER ELECTROLESS NICKEL

LIST NOT EXHAUSTIVE, SEE PLATING TABLE FOR OTHER OPTIONS



DRAWING NOT TO SCALE, DIMENSIONS IN MM

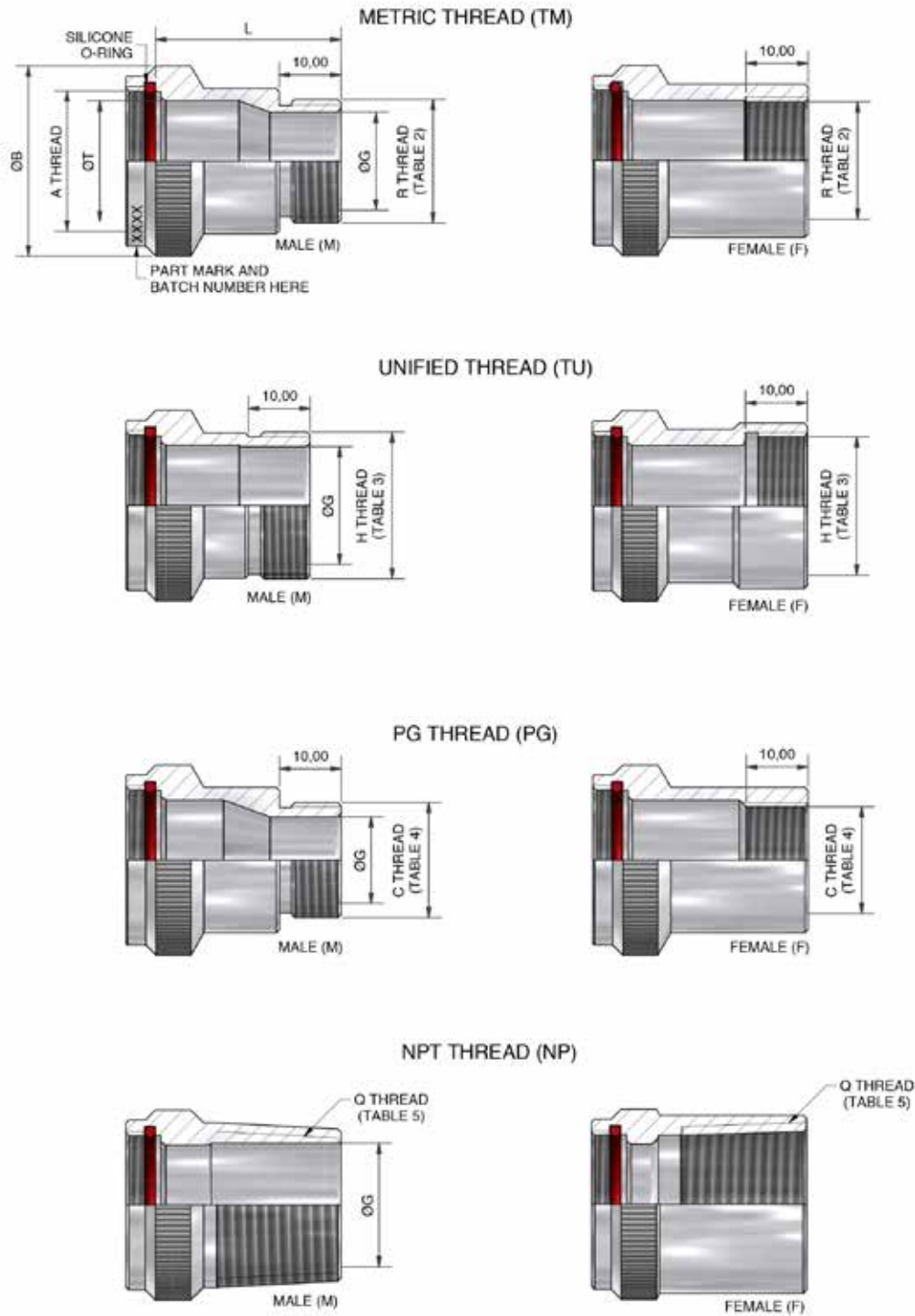
See pages 18-26 for complete list of available materials, finishes and Connector interfaces (dimensions, form and O Ring subject to change depending on Backshell material and Connector interface)

Metric / Unified / PG / NPT Fixed Adaptor

Interface F - MIL-DTL-38999 SERIES I & II



Interconnect Solutions Worldwide



DRAWING NOT TO SCALE, DIMENSIONS IN MM

See pages 18-26 for complete list of available materials, finishes and Connector interfaces (dimensions, form and O Ring subject to change depending on Backshell material and Connector interface)

Metric / Unified / PG / NPT Fixed Adaptor

Interface F - MIL-DTL-38999 SERIES I & II



Interconnect Solutions Worldwide

TABLE 1

ORDER NUMBER	SHELL SIZE SERIES I	SHELL SIZE SERIES II	A THREAD	ØB MAX	ØT MIN
08	09	08	7/16-28UNEF	18,3	6,6
10	11	10	9/16-24UNEF	21,5	10,0
12	13	12	11/16-24UNEF	24,5	12,9
14	15	14	13/16-20UNEF	27,8	16,1
16	17	16	15/16-20UNEF	30,8	19,3
18	19	18	1 1/16-18UNEF	34,1	21,7
20	21	20	1 3/16-18UNEF	37,3	24,8
22	23	22	1 5/16-18UNEF	40,5	28,2
24	25	24	1 7/16-18UNEF	43,7	31,3

TABLE 2: METRIC THREAD (TM)

DASH NUMBER	R THREAD	ØG
16	M16x1.5	11,85
20	M20x1.5	15,85
22	M22x1.5	17,85
25	M25x1.5	20,85
32	M32x1.5	27,85
40	M40x1.5	35,85

TABLE 3: UNIFIED THREAD (TU)

DASH NUMBER	H THREAD	ØG MIN
04	7/16-28UNEF	6,35
05	1/2-20UNF	7,92
06	9/16-24UNEF	9,52
07	5/8-24UNEF	11,12
08	11/16-24UNEF	12,70
09	3/4-20UNEF	14,27
10	13/16-20UNEF	15,88
11	7/8-20UNEF	17,46
12	15/16-20UNEF	19,05
13	1-20UNEF	20,64
14	1 1/16-18UNEF	22,23
15	1 1/8-18UNEF	23,81
16	1 3/16-18UNEF	25,40
17	1 1/4-18UNEF	26,99
18	1 5/16-18UNEF	28,58
19	1 3/8-18UNEF	30,16
21	1 1/2-18UNEF	33,34
23	1 5/8-18UNEF	36,51

TABLE 4: PG THREAD (PG)

DASH NUMBER	C THREAD	ØG
7	PG7	8,0
9	PG9	10,6
11	PG11	14,0
13.5	PG13.5	15,8
16	PG16	17,9
21	PG21	23,5
29	PG29	32,1

TABLE 5: NPT THREAD (NP)

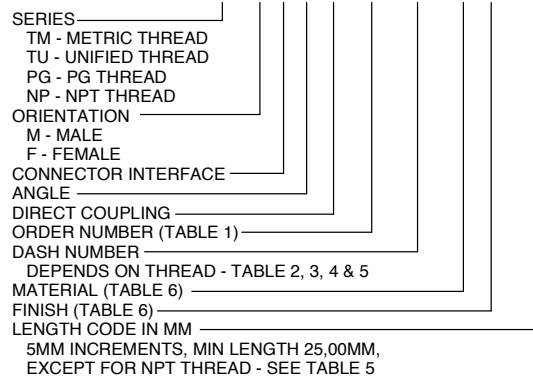
DASH NUMBER	Q THREAD DESIGNATION	ØG	L(M) MIN	L(F) MIN
0250	1/4 NPT	7,60	25,00	25,00
0375	3/8 NPT	11,00	26,00	26,00
0500	1/2 NPT	14,70	30,00	30,00
0750	3/4 NPT	20,00	30,00	30,00
1000	1 NPT	26,20	35,00	35,00
1250	1 1/4 NPT	35,00	36,00	36,00
1500	1 1/2 NPT	41,00	36,00	36,00
2000	2 NPT	53,00	37,00	37,00
2500	2 1/2 NPT	64,50	50,00	50,00

TABLE 6

CODE	MATERIAL / PLATING
1-C	ALUMINIUM / ELECTROLESS NICKEL
1-B	ALUMINIUM / CADMIUM OLIVE DRAB OVER ELECTROLESS NICKEL
1-ZB	ALUMINIUM / ZINC COBALT OLIVE DRAB OVER ELECTROLESS NICKEL
1-ZN	ALUMINIUM / ZINC NICKEL BLACK PASSIVATE OVER ELECTROLESS NICKEL
4-J	STAINLESS STEEL / PASSIVATE
2-Z	NICKEL ALUMINIUM BRONZE / SHOT BLAST

LIST NOT EXHAUSTIVE, SEE PLATING TABLE FOR OTHER OPTIONS

TMMF1-D16-20-1-C-L30



DRAWING NOT TO SCALE, DIMENSIONS IN MM

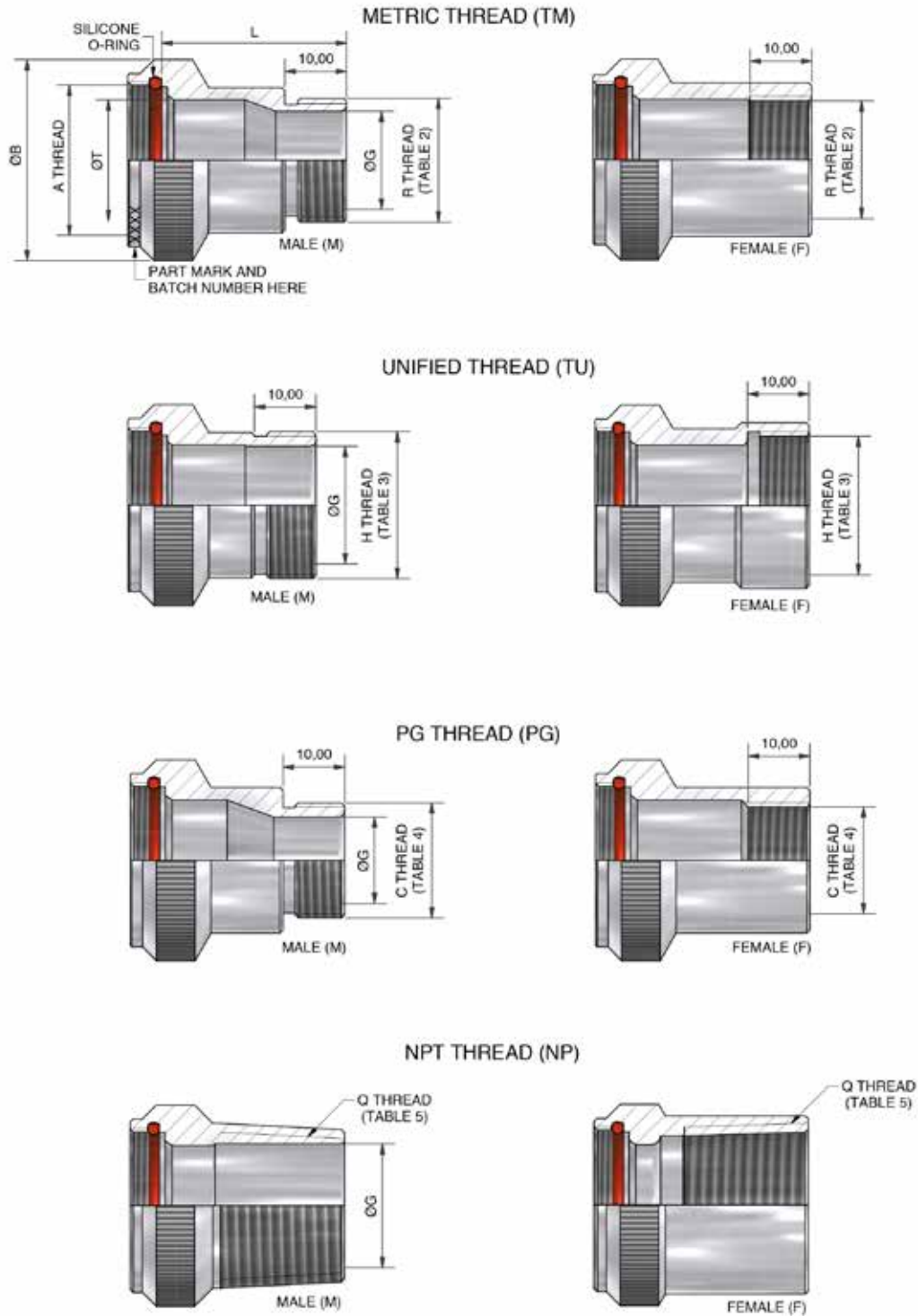
See pages 18-26 for complete list of available materials, finishes and Connector interfaces (dimensions, form and O Ring subject to change depending on Backshell material and Connector interface)

Metric / Unified / PG / NPT Fixed Adaptor

Interface H - MIL-DTL-38999 SERIES III & IV



Interconnect Solutions Worldwide



DRAWING NOT TO SCALE, DIMENSIONS IN MM

See pages 18-26 for complete list of available materials, finishes and Connector interfaces (dimensions, form and O Ring subject to change depending on Backshell material and Connector interface)

Metric / Unified / PG / NPT Fixed Adaptor

Interface H - MIL-DTL-38999 SERIES III & IV



Interconnect Solutions Worldwide

TABLE 1

SHELL SIZE	A THREAD	ØB MAX	ØT MIN
09	M12x1.0	18,0	6,7
11	M15x1.0	21,0	10,2
13	M18x1.0	24,5	13,5
15	M22x1.0	29,0	16,2
17	M25x1.0	32,5	19,4
19	M28x1.0	35,5	21,8
21	M31x1.0	37,0	25,1
23	M34x1.0	40,0	28,2
25	M37x1.0	43,5	31,4

TABLE 2: METRIC THREAD (TM)

DASH NUMBER	R THREAD	ØG
16	M16x1.5	11,85
20	M20x1.5	15,85
22	M22x1.5	17,85
25	M25x1.5	20,85
32	M32x1.5	27,85
40	M40x1.5	35,85

TABLE 3: UNIFIED THREAD (TU)

DASH NUMBER	H THREAD	ØG
04	7/16-28UNEF	6,35
05	1/2-20UNF	7,92
06	9/16-24UNEF	9,52
07	5/8-24UNEF	11,12
08	11/16-24UNEF	12,70
09	3/4-20UNEF	14,27
10	13/16-20UNEF	15,88
11	7/8-20UNEF	17,46
12	15/16-20UNEF	19,05
13	1-20UNEF	20,64
14	1 1/16-18UNEF	22,23
15	1 1/8-18UNEF	23,81
16	1 3/16-18UNEF	25,40
17	1 1/4-18UNEF	26,99
18	1 5/16-18UNEF	28,58
19	1 3/8-18UNEF	30,16
21	1 1/2-18UNEF	33,34
23	1 5/8-18UNEF	36,51

TABLE 4: PG THREAD (PG)

DASH NUMBER	C THREAD	ØG
7	PG7	8,0
9	PG9	10,6
11	PG11	14,0
13.5	PG13.5	15,8
16	PG16	17,9
21	PG21	23,5
29	PG29	32,1

TABLE 5: NPT THREAD (NP)

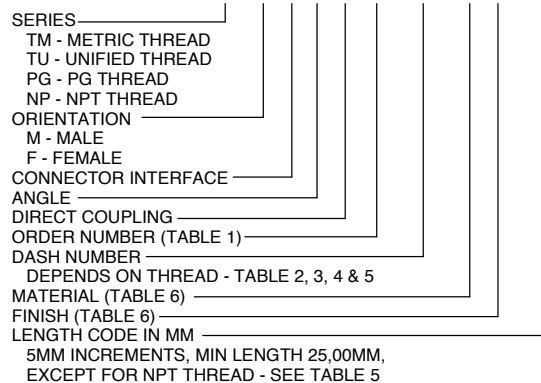
DASH NUMBER	Q THREAD DESIGNATION	ØK MIN	L(M) MIN	L(F) MIN
0250	1/4 NPT	7,60	25,00	25,00
0375	3/8 NPT	11,00	26,00	26,00
0500	1/2 NPT	14,70	30,00	30,00
0750	3/4 NPT	20,00	30,00	30,00
1000	1 NPT	26,20	35,00	35,00
1250	1 1/4 NPT	35,00	36,00	36,00
1500	1 1/2 NPT	41,00	36,00	36,00
2000	2 NPT	53,00	37,00	37,00
2500	2 1/2 NPT	64,50	50,00	50,00

TABLE 6

CODE	MATERIAL / PLATING
1-C	ALUMINIUM / ELECTROLESS NICKEL
1-B	ALUMINIUM / CADMIUM OLIVE DRAB OVER ELECTROLESS NICKEL
1-ZB	ALUMINIUM / ZINC COBALT OLIVE DRAB OVER ELECTROLESS NICKEL
1-ZN	ALUMINIUM / ZINC NICKEL BLACK PASSIVATE OVER ELECTROLESS NICKEL
4-J	STAINLESS STEEL / PASSIVATE
2-Z	NICKEL ALUMINIUM BRONZE / SHOT BLAST

LIST NOT EXHAUSTIVE, SEE PLATING TABLE FOR OTHER OPTIONS

TMMH1-D16-20-1-C-L30



DRAWING NOT TO SCALE, DIMENSIONS IN MM

See pages 18-26 for complete list of available materials, finishes and Connector interfaces
 (dimensions, form and O Ring subject to change depending on Backshell material and Connector interface)

DCF - Extender / Angle Adaptor

Interface F - MIL-DTL-38999 SERIES I



Interconnect Solutions Worldwide

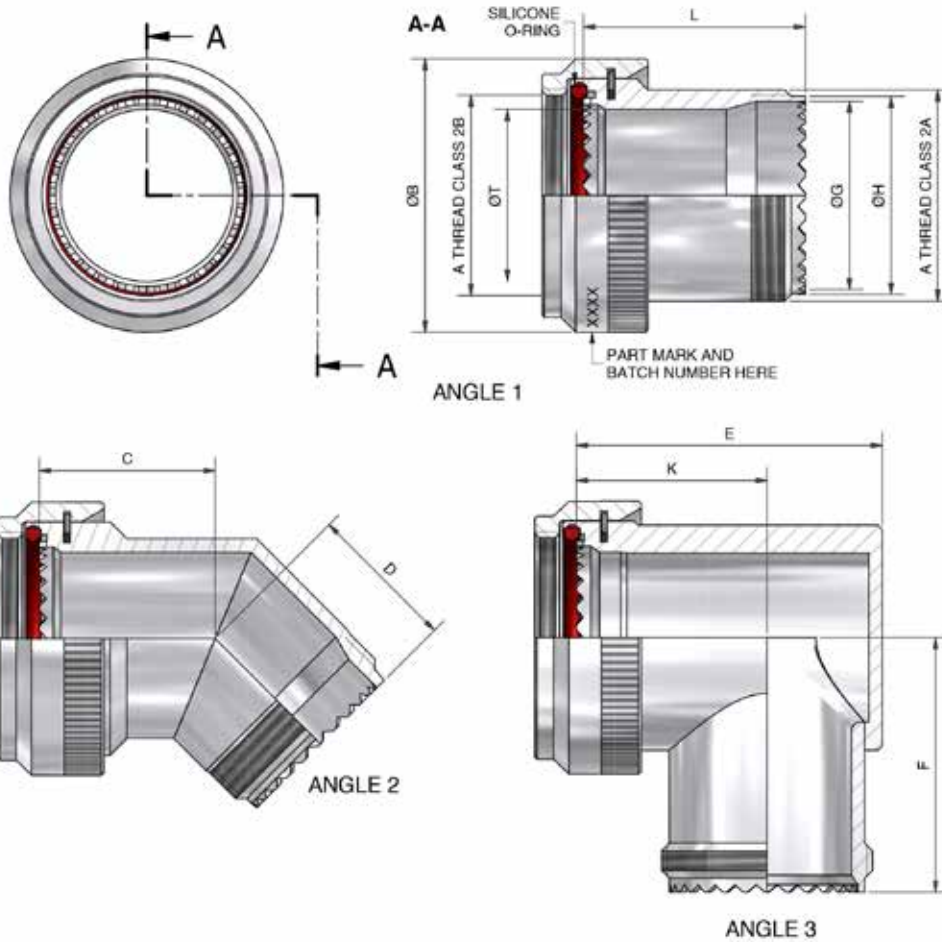


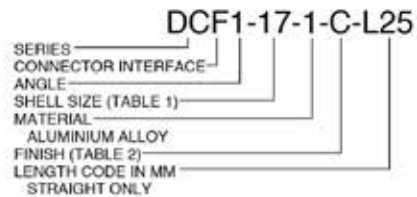
TABLE 1

SHELL SIZE	A THREAD	ØB MAX	ØT MIN	C MAX	D MAX	E MAX	F MAX	K ± 0.5	ØG ± 0.076	ØH +0.02/-0.12
09	7/16-28UNEF	18,0	6,8	16,4	15,3	22,7	21,5	15,0	8,74	9,83
11	9/16-24UNEF	21,0	10,2	17,2	15,8	26,2	23,0	17,0	11,99	13,08
13	11/16-24UNEF	24,5	13,1	17,6	16,8	29,2	24,5	18,0	14,88	15,95
15	13/16-20UNEF	27,8	16,2	18,5	17,8	32,2	28,5	20,0	18,06	19,15
17	15/16-20UNEF	30,8	19,3	19,2	18,3	35,7	30,0	21,5	21,23	22,33
19	1 1/16-18UNEF	34,1	22,3	19,6	18,8	39,7	31,5	23,0	23,93	25,02
21	1 3/16-18UNEF	37,3	25,8	20,4	19,3	42,2	33,0	25,0	27,10	28,19
23	1 5/16-18UNEF	41,0	28,3	20,8	18,7	45,2	34,5	26,0	30,28	31,37
25	1 7/16-18UNEF	43,7	31,5	21,7	20,5	48,2	36,0	28,0	33,45	34,54

TABLE 2

CODE	FINISH
C	ELECTROLESS NICKEL
B	CADMIUM OLIVE DRAB OVER ELECTROLESS NICKEL
ZB	ZINC COBALT OLIVE DRAB OVER ELECTROLESS NICKEL
ZN	ZINC NICKEL BLACK PASSIVATE OVER ELECTROLESS NICKEL

LIST NOT EXHAUSTIVE, FOR COMPREHENSIVE LIST AND SPECS, SEE WEBSITE



DRAWING NOT TO SCALE, DIMENSIONS IN MM

See pages 18-26 for complete list of available materials, finishes and Connector interfaces (dimensions, form and O Ring subject to change depending on Backshell material and Connector interface)

DCF - Extender / Angle Adaptor

Interface F - MIL-DTL-38999 SERIES II



Interconnect Solutions Worldwide

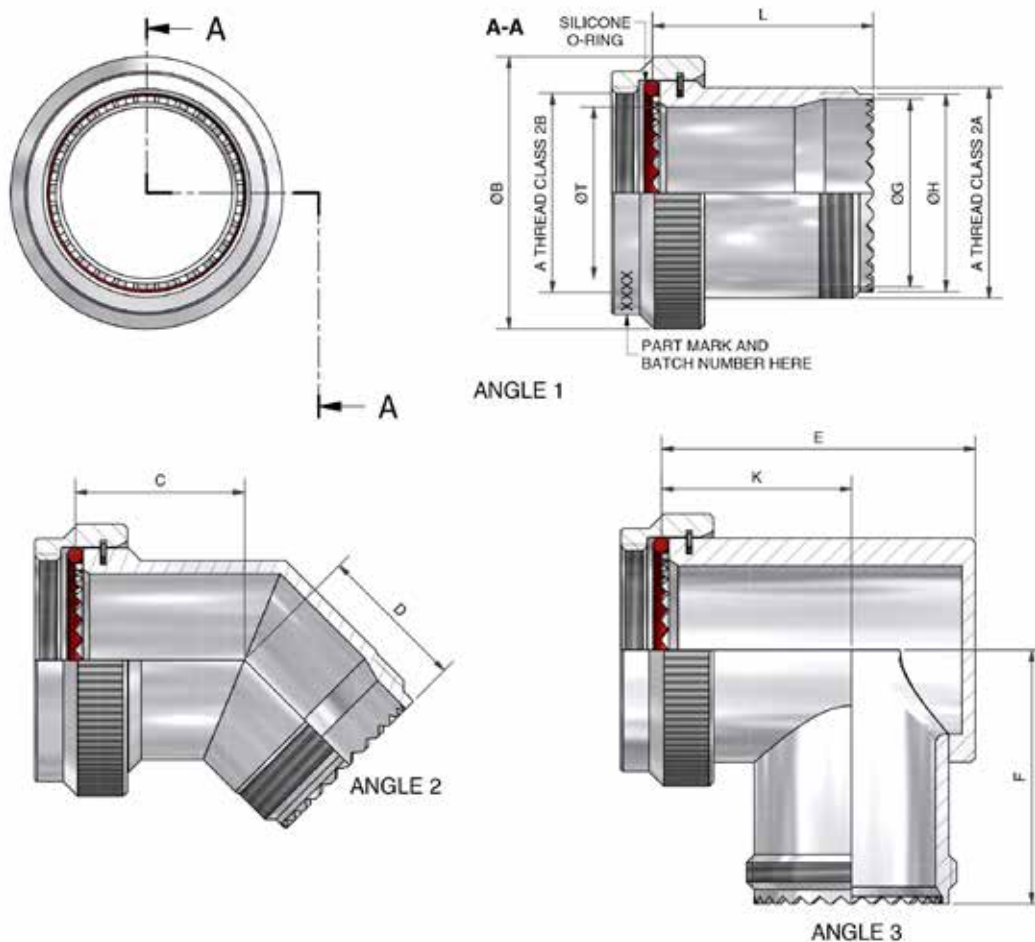


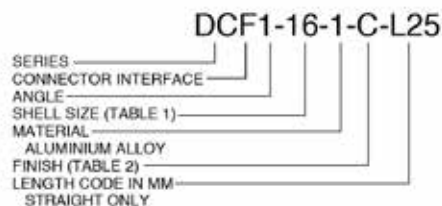
TABLE 1

SHELL SIZE	A THREAD	OB MAX	OT MIN	C ± 0.5	D MAX	E MAX	F MAX	K ± 0.5	OG ± 0.076	OH +0.02/-0.12
08	7/16-28UNEF	18.3	6.6	16.4	15.3	22.7	21.5	15.0	8.74	9.83
10	9/16-24UNEF	21.5	10.1	17.2	15.8	26.2	23.0	17.0	11.99	13.08
12	11/16-24UNEF	24.5	12.9	17.6	16.8	29.2	24.5	18.0	14.88	15.95
14	13/16-20UNEF	27.8	16.1	18.5	17.8	32.2	28.5	20.0	18.06	19.15
16	15/16-20UNEF	30.8	19.3	19.2	18.3	35.7	30.0	21.5	21.23	22.33
18	1 1/16-18UNEF	34.1	21.7	19.6	18.8	39.7	31.5	23.0	23.93	25.02
20	1 3/16-18UNEF	37.3	24.9	20.4	19.3	42.2	33.0	25.0	27.10	28.19
22	1 5/16-18UNEF	40.5	28.1	20.8	18.7	45.2	34.5	26.0	30.28	31.37
24	1 7/16-18UNEF	43.7	31.3	21.7	20.5	48.2	36.0	28.0	33.45	34.54

TABLE 2

CODE	FINISH
C	ELECTROLESS NICKEL
B	CADMIUM OLIVE DRAB OVER ELECTROLESS NICKEL
ZB	ZINC COBALT OLIVE DRAB OVER ELECTROLESS NICKEL
ZN	ZINC NICKEL BLACK PASSIVATE OVER ELECTROLESS NICKEL

LIST NOT EXHAUSTIVE, SEE PLATING TABLE FOR OTHER OPTIONS



DRAWING NOT TO SCALE, DIMENSIONS IN MM

See pages 18-26 for complete list of available materials, finishes and Connector interfaces (dimensions, form and O Ring subject to change depending on Backshell material and Connector interface)

DCH - Extender / Angle Adaptor

Interface H - MIL-DTL-38999 SERIES III & IV



Interconnect Solutions Worldwide

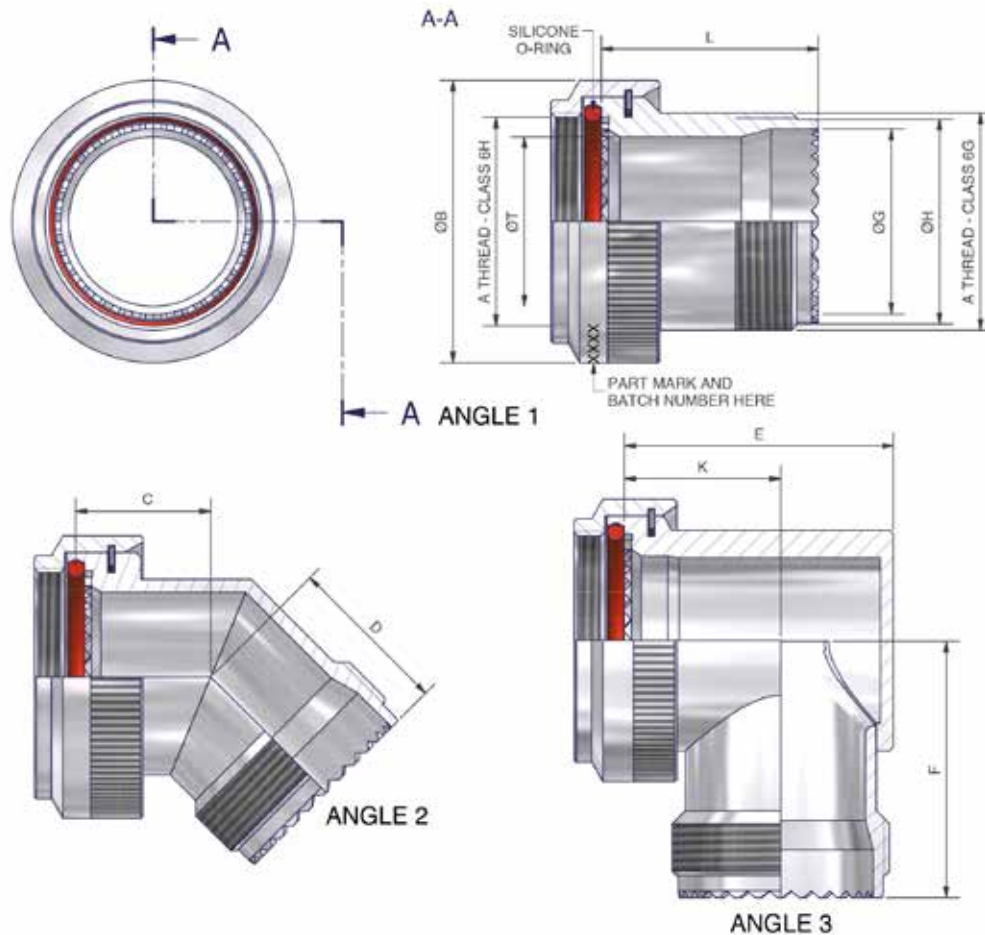


TABLE 1

SHELL SIZE	A THREAD	OB MAX	OT	OG +0/-0.15	OH MAX	L MAX	C MAX	D MAX	E MAX	F MAX	K ± 0.5
09	M12 x 1.0	18.0	6.8	10.57	8.80	50	12.5	15.3	20.0	21.5	15.5
11	M15 x 1.0	21.0	10.3	13.56	12.07	65	13.0	15.8	23.0	23.0	16.5
13	M18 x 1.0	24.5	13.6	16.58	14.96	80	13.6	16.8	27.0	24.5	19.0
15	M22 x 1.0	29.0	16.3	20.57	18.14	100	14.0	17.8	28.0	26.5	18.5
17	M25 x 1.0	32.5	19.5	23.57	21.31	125	15.0	18.3	31.0	30.0	20.0
19	M28 x 1.0	35.5	21.9	26.57	24.00	125	16.0	18.8	36.0	31.5	23.0
21	M31 x 1.0	37.0	25.2	29.57	27.18	125	16.6	19.3	39.0	33.0	24.0
23	M34 x 1.0	40.0	26.3	32.56	30.35	125	17.0	18.7	41.0	34.5	25.0
25	M37 x 1.0	43.5	31.5	35.56	33.53	125	17.4	20.5	47.0	36.0	29.5

TABLE 2

CODE	FINISH
C	ELECTROLESS NICKEL
B	CADMIUM OLIVE DRAB OVER ELECTROLESS NICKEL
ZB	ZINC COBALT OLIVE DRAB OVER ELECTROLESS NICKEL
ZN	ZINC NICKEL BLACK PASSIVATE OVER ELECTROLESS NICKEL

LIST NOT EXHAUSTIVE, SEE MATERIAL AND PLATING TABLE FOR FULL LIST

DCH1-17-1-B-L25

SERIES _____
CONNECTOR INTERFACE _____
ANGLE _____
SHELL SIZE (TABLE 1) _____
MATERIAL _____
ALUMINIUM ALLOY _____
FINISH (TABLE 2) _____
LENGTH CODE IN MM _____
STRAIGHT ONLY _____

DRAWING NOT TO SCALE, DIMENSIONS IN MM

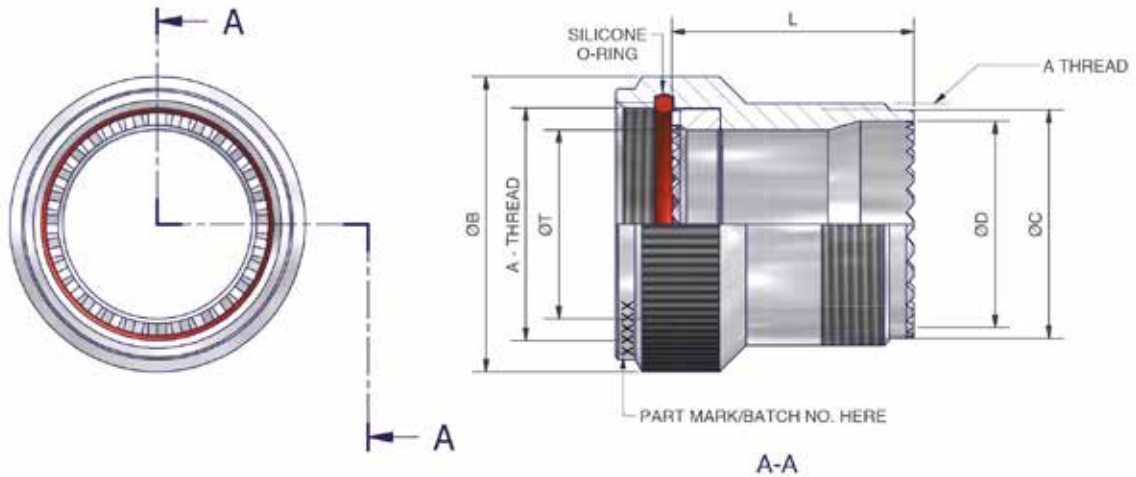
See pages 18-26 for complete list of available materials, finishes and Connector interfaces
(dimensions, form and O Ring subject to change depending on Backshell material and Connector interface)

DCH1-F - Fixed Extender Adaptor

Interface H - MIL-DTL-38999 SERIES III & IV



Interconnect Solutions Worldwide



NOTES:
 1. LENGTH L -
 MINIMUM LENGTH ON ALL SHELL SIZES - 20,0mm
 LENGTH INCREMENT OF 5,0mm TO MAXIMUM
 LENGTH SHOWN IN TABLE 1

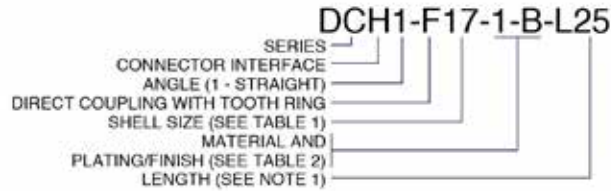


TABLE 1

SHELL SIZE	A THREAD	B MAX	C +0/-0,15	D MAX	L MAX	T
09	M12 x 1.0	17,0	10.57	8,80	50	6,8
11	M15 x 1.0	20,0	13.56	12.07	65	10.3
13	M18 x 1.0	23,0	16.58	14.96	80	13.6
15	M22 x 1.0	27,5	20.57	18.14	100	16.3
17	M25 x 1.0	30,5	23.57	21.31	125	19.5
19	M28 x 1.0	34,0	26.57	24.00	125	21.9
21	M31 x 1.0	36,0	29.57	27.18	125	25.2
23	M34 x 1.0	39,0	32.56	30.35	125	28.3
25	M37 x 1.0	42,0	35.56	33.53	125	31.5

TABLE 2

CODE	MATERIAL / PLATING
1-C	ALUMINIUM / ELECTROLESS NICKEL
1-B	ALUMINIUM / CADMIUM OLIVE DRAB OVER ELECTROLESS NICKEL
1-ZB	ALUMINIUM / ZINC COBALT OLIVE DRAB OVER ELECTROLESS NICKEL
1-ZN	ALUMINIUM / ZINC NICKEL BLACK PASSIVATE OVER ELECTROLESS NICKEL
4-J	STAINLESS STEEL / PASSIVATE
2-Z	NICKEL ALUMINIUM BRONZE / SHOT BLAST

LIST NOT EXHAUSTIVE - FOR COMPREHENSIVE LIST AND SPECS SEE WEBSITE

DRAWING NOT TO SCALE, DIMENSIONS IN MM

See pages 18-26 for complete list of available materials, finishes and Connector interfaces
 (dimensions, form and O Ring subject to change depending on Backshell material and Connector interface)

Associated Products

Screen Termination Bands, Screenbraid, Adhesives and Hellermann Tyton® Heat Shrink Boots

Screen Termination Band

Termination bands for Polamco Banding Backshells

Screenbraid

EMC/RFI screen braided product supplied on a plastic former in order to ease cable harness assembly.

PE90 & PE93

- Minimum 90% or 93% coverage
- Cable diameter range of 2mm to 60mm
- Tin and nickel-plated copper

PBS90 & PBS95

- Minimum 90% or 95% coverage
- Cable diameter range of 2mm to 60mm
- Stainless Steel

Adhesives

A flexible, two-part, room temperature curing adhesive with shear and peel strengths. Although excellent for bonding a wide variety of

substrates, the adhesive has been specifically designed for use in the manufacturing of high performance, cable harness assemblies. The adhesive is available in:

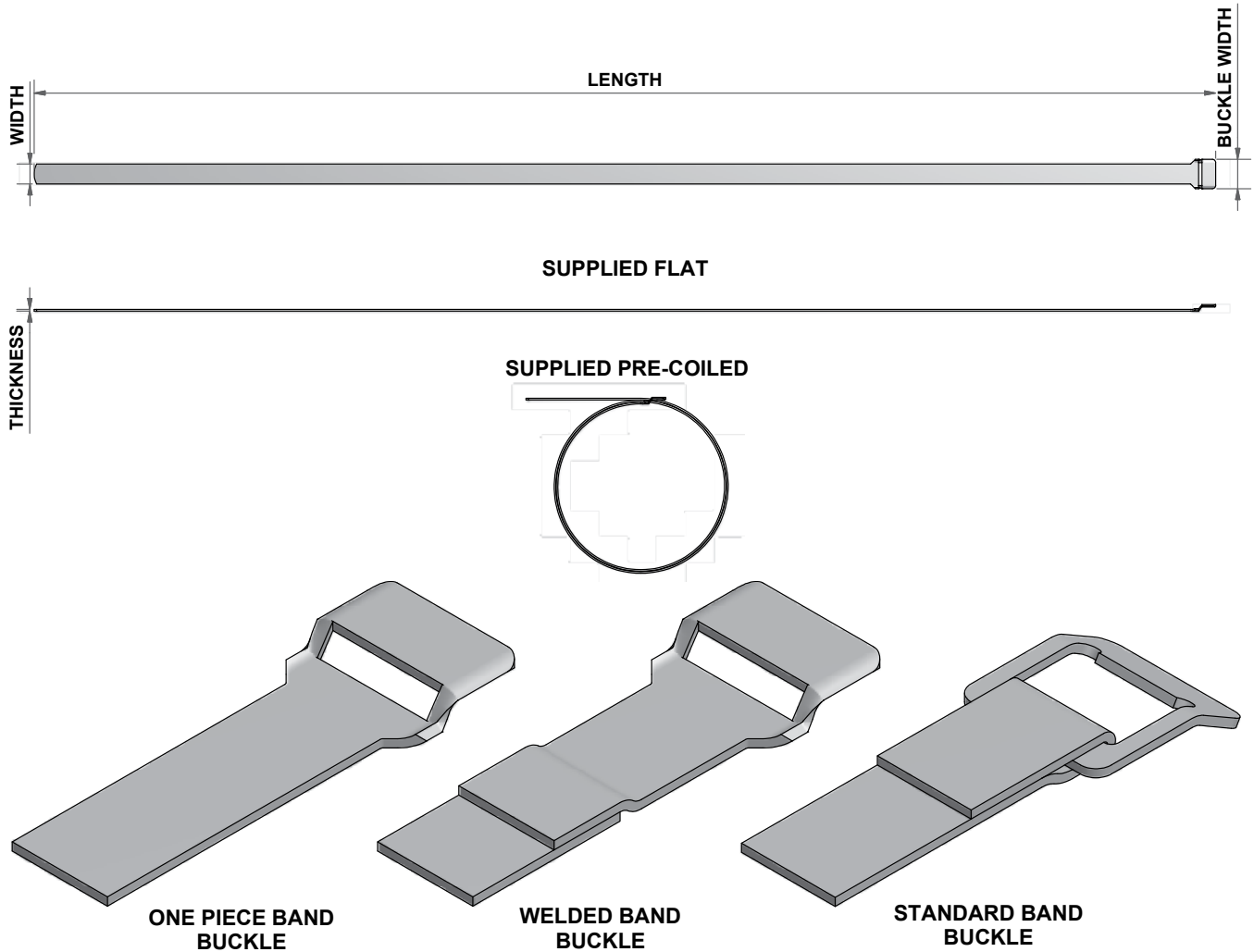
- 50ml duo-syringes, part no. POL125-DS050
- Conductive adhesive, part no. POL183-DS050

Heat Shrink Boots

Hellermann Tyton® Heat Shrink boots are available for the complete range of electrical and electronic harnessing applications.

- Easy installation
- High dielectric strength
- Mechanical toughness
- Superior chemical and environmental resistance
- Up to 5:1 shrink ratio
- Made from Polyolefin and Viton
- Temperature range: -55 degrees to +200 degrees
- Adhesives: WM250 +80 °C, W8 +105 °C, W24 +200 °C





PART NUMBER	DESCRIPTION	BUCKLE STYLE	SUPPLY CONDITION	WIDTH	LENGTH	THICKNESS	BUCKLE WIDTH	MATERIAL
AXCL05	STANDARD BAND	STANDARD	PRE-COILED	5,9	325	0,50	9,0	316L
AE1009	WELDED BAND	WELDED	FLAT	6,1	377	0,51	9,0	304
A10089	ONE PIECE BAND	ONE PIECE	FLAT	6,1	362	0,51	9,0	304
A10088	PRE-COILED ONE PIECE BAND	ONE PIECE	PRE-COILED	6,1	362	0,51	9,0	304
A11089	LONG BAND	ONE PIECE	FLAT	6,1	457	0,51	9,0	304
AXCL03	MICROBAND	STANDARD	PRE-COILED	3,0	200	0,35	5,2	316L
A31189	ONE PIECE MICROBAND	ONE PIECE	FLAT	3,0	207	0,38	5,2	304
A31188	PRE-COILED ONE PIECE MICROBAND	ONE PIECE	PRE-COILED	3,0	207	0,38	5,2	304
A31089	LONG MICROBAND	ONE PIECE	FLAT	3,0	362	0,38	5,2	304

DRAWING NOT TO SCALE, DIMENSIONS IN MM

Screenbraid

PE90 & PE93 - Tinned Copper & Nickel Plated Copper



Interconnect Solutions Worldwide

Screenbraid is an electrical EMC/RFI screen braided product which is supplied on a plastic former in order to ease cable harness assembly. The wire bundle is threaded through the tube and then withdrawn to leave the Screenbraid neatly over the wire bundles. Screenbraid can then be terminated to the connector by using a Polamco shielded adaptor in typical use.

PE90

This has a minimum 90% coverage and covers a cable diameter range of 2mm to 40mm.

Both products are offered in tin-plated copper as well as nickel-plated copper for high temperature applications.

PE93

This has a minimum 93% coverage and is more flexible than the Screenbraid 90 and also has a higher expansion ratio. It covers a cable diameter range of 2mm to 60mm.



EXAMPLE PART NUMBERING PE93-10.0-T-D	
PE =	SERIES
93 =	MIN COVERAGE
10.0 =	SIZE
T =	(N-NICKEL PLATED COPPER WIRE TO BS4109 AND ASTMB355) (T-TINNED PLATED COPPER WIRE TP BS4109)
D =	DOUBLE BRAID OPTION (OMIT FOR SINGLE BRAID)

PART NUMBER	DIAMETER OF FORMER (mm)	NO. OF CARRIERS	NO. OF ENDS PER CARRIER	INDIVIDUAL STRAND SIZE AWG/(MM)	MIN COVERAGE %	CABLE BUNDLE TOLERANCE (MIN-MAX)	APPROX. MASS EXC FORMER (KG/KM)
PE90-3,0-*	3,0	16	5	36 / 0,13	90	2.0 - 3.5	10,0
PE90-4,0-*	4,0	16	7	36 / 0,13	90	3.0 - 5.0	14,5
PE90-5,0-*	5,0	24	6	36 / 0,13	90	4.0 - 6.0	19,0
PE90-6,0-*	6,0	24	7	36 / 0,13	90	5.0 - 8.0	22,0
PE90 10,0-*	10,0	24	9	34 / 0,16	90	7.0 - 12.0	44,0
PE90-12,5-*	12,5	24	10	34 / 0,16	90	11.0 - 14.0	48,0
PE90-15,0-*	15,0	24	11	32 / 0,20	90	13.0 - 18.0	83,0
PE90-20,0-*	20,0	48	11	36 / 0,13	90	17.0 - 23.0	100,0
PE90-25,0-*	25,0	36	9	30 / 0,25	90	22.0 - 28.0	112,5
PE90-30,0-*	30,0	36	9	28 / 0,31	90	27.0 - 40.0	193,0
PE93-2,0-*	2,0	16	10	38/0,10	93	2.0 - 3.0	10
PE93-3,0-*	3,0	16	10	38 / 0,10	93	2.5 - 5.0	12,5
PE93-4,0-*	4,0	24	7	36 / 0,13	93	3.7 - 9.0	22,0
PE93-6,0-*	6,0	24	9	36 / 0,13	93	4.6 - 13.5	28,0
PE93-7,5-*	7,5	24	14	36 / 0,13	93	7.5 - 16.0	44,0
PE93-10,0-*	10,0	48	8	36 / 0,13	93	9.0 - 22.5	50,0
PE93-12,5-*	12,5	48	11	36 / 0,13	93	11.0 - 24.0	75,0
PE93-15,0-*	15,0	48	11	36 / 0,13	93	10.0 - 25.0	75,0
PE93-20,0-*	20,0	48	16	36 / 0,13	93	17.0 - 32.0	100,0
PE93-25,0-*	25,0	48	18	36 / 0,13	93	15.0 - 40.0	112,5
PE93-30,0-*	30,0	48	20	36 / 0,16	93	30.0 - 60.0	193,0

SUPPLIED IN 50m APPROX. MULTIPLES - PRICE AND DELIVERY AVAILABLE ON REQUEST

DRAWING NOT TO SCALE, DIMENSIONS IN MM

See pages 18-26 for complete list of available materials, finishes and Connector interfaces (dimensions, form and O Ring subject to change depending on Backshell material and Connector interface)

Screenbraid

PBS90 & PBS95 - Stainless Steel



Interconnect Solutions Worldwide

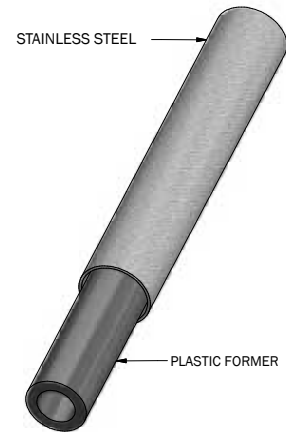
PBS90 and PBS95 and Stainless Steel versions of Polamco Screenbraid. These Screenbraids have excellent corrosion resisting characteristics and can be used for high temperature applications.

PBS90

This has a minimum 90% coverage and covers a cable diameter range of 2mm to 23mm.

PBS95

This has a minimum 95% coverage and is more flexible than the Screenbraid 90 and also has a higher expansion ratio. It covers a cable diameter range of 2.5 mm to 60mm.



EXAMPLE PART NUMBERING PBS90-3.0-S	
PBS =	SERIES
90 =	MIN COVERAGE
3.0 =	SIZE
S =	STAINLESS STEEL

PART NUMBER	DIAMETER OF FORMER (mm)	TOTAL NO. OF WIRES	INDIVIDUAL STRAND SIZE (mm)	MIN COVERAGE %	CABLE BUNDLE TOLERANCE (MIN-MAX)
PBS90-3.0-S	3	64	0.15	90	2.0 - 3.5
PBS90-6.0-S	6	168	0.122	90	5.0 - 7.0
PBS90-10.0-S	10	256	0.122	90	7.0 - 12.0
PBS90-12.5-S	12.5	384	0.122	90	11.0 - 13.0
PBS90-20.0-S	20	528	0.122	90	17.0 - 23.0
PBS95-3.0-S	3	96	0.15	95	2.5 - 5.0
PBS95-4.0-S	4	168	0.122	95	3.5 - 7.5
PBS95-6.0-S	6	168	0.15	95	4.5 - 9.5
PBS95-7.5-S	7.5	264	0.15	95	7.0 - 14.0
PBS95-10-S	10	336	0.15	95	8.0 - 22.0
PBS95-12.5-S	12.5	384	0.15	95	11.0 - 24.0
PBS95-15.0-S	15	528	0.15	95	13.0 - 18.0
PBS95-20.0-S	20	672	0.15	95	16.0 - 38.0
PBS95-25.0-S	25	672	0.15	95	22.0 - 38.0
PBS95-30.0-S	30	960	0.15	95	27.0 - 40.0
PBS95-40.0-S	40	960	0.15	95	35.0 - 60.0

DRAWING NOT TO SCALE, DIMENSIONS IN MM

See pages 18-26 for complete list of available materials, finishes and Connector interfaces (dimensions, form and O Ring subject to change depending on Backshell material and Connector interface)

POL125 - FLEXIBLE HIGH PERFORMANCE EPOXY ADHESIVE

A flexible, two-part, room temperature curing adhesive with shear and peel strengths. Although excellent for bonding a wide variety of substrates, POL125 has been specifically designed for use in the manufacturing of high performance, cable harness assemblies.

- Excellent flexibility giving high shear and peel strengths
- Outstanding chemical and fluid resistance
- Operates up to 150 °C
- Bonds metals, glass, wood, rubbers and many plastics
- Supplied in DuoSyringe for easy application
- Standard size is 50ml

POL125 TYPICAL CURING PROPERTIES

Work life at 23 °C	90 minutes
Time to handling at 23 °C	24 hours
Time to full cure at 23 °C	7 days
Time to full cure at 85 °C	2 hours

POL125 TYPICAL PERFORMANCE (Measurements at 23 °C)

Lap Shear (Al / Al)	20MPa
Peel Strength (XLPE/XLPE)	370 N/ 25mm
Peel Strength after Thermal Shock (4hrs@215 °C)	370 N/ 25mm
Dynamic Shear (Backshell/boot/cable. Shell size 22)	520 N
Operating temperature range	-75 °C to 150 °C

POL183 - ELECTRICALLY CONDUCTIVE EPOXY ADHESIVE

POL183 is specifically designed for shield and connector termination in EMC applications.

- Easy to use medium viscosity adhesive
- Room temperature or elevated temperature cure
- Easy to apply using the DuoSyringe system
- Standard size is 25ml (50g), with associated mixing nozzles and dispenser guns

POL183 TYPICAL CURING PROPERTIES

Work life at 23 °C	60 minutes
Time to handling at 23 °C	8 hours
Cure time at 23 °C	24 hours
Cure time at 80 °C	1 hour
Cure time at 100 °C	30 minutes

POL183 TYPICAL PERFORMANCE (cured for 30 minutes at 100 °C)

Lap Shear (Al / Al @ 23 °C)	8 MPa
Resistivity (@ 23 °C)	<0.01 ohm-cm
Lap Shear (Al / Al, after 172hrs @ 150 °C)	8 MPa
Resistivity (after 172hrs @ 150 °C)	<0.01 ohm-cm
Lap Shear (Al / Al, after 172hrs @ 40 °C in water)	6 MPa
Resistivity (after 172hrs @ 40 °C in water)	<0.01 ohm-cm
Operating temperature range	-55 °C to 150 °C

DRAWING NOT TO SCALE, DIMENSIONS IN MM

See pages 18-26 for complete list of available materials, finishes and Connector interfaces (dimensions, form and O Ring subject to change depending on Backshell material and Connector interface)

HOW TO ORDER

	POL125	POL183
DuoSyringe 	POL125-DS050	POL183-DS050
Applicator Gun 	POL125-AG	POL125-AG
Mixing Nozzle (10pcs) 	POL125-MN	POL125-MN



DRAWING NOT TO SCALE, DIMENSIONS IN MM

See pages 18-26 for complete list of available materials, finishes and Connector interfaces
(dimensions, form and O Ring subject to change depending on Backshell material and Connector interface)

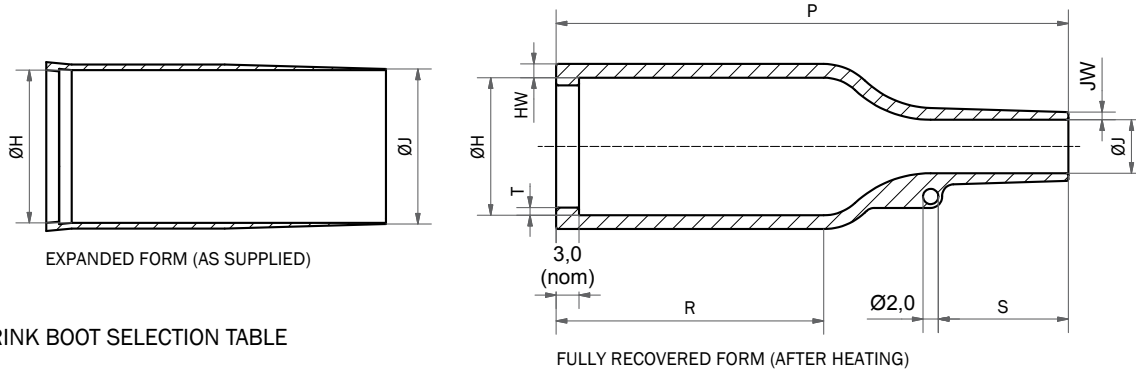
150 Series

Heat Shrink Boots - Straight with Rib-VG Style



Interconnect Solutions Worldwide

THIS STYLE IS USED IN CONJUNCTION WITH A CIRCULAR GROOVED BACKSHELL, PROVIDING STRAIN RELIEF AND ENVIROMENTAL SEALING.



HEATSHRINK BOOT SELECTION TABLE

HEATSHRINK BOOT SHAPE	FITS ENTRY SIZES	RECOMMENDED ENTRY SIZES	MINIMUM CABLE JACKET DIAMETER	MAXIMUM CABLE JACKET DIAMETER	RECOVERED BOOT LENGTH +/-10%	COMMENTS
120-41	03-05	03-04	3,0	10,7	38,0	
152-42	03-10	05	6,0	24,0	38,0	IDEAL WHEN 154-42 IS TOO LONG
153-42	03-10	05-10	3,5	9,0	55,0	IDEAL WHEN CABLE JACKET DIAMETER IS MUCH SMALLER THAN THE ADAPTOR ENTRY SIZE
154-42	03-14	05-06	6,0	30,0	55,0	
155-42	07-14	07-09	7,0	31,0	67,0	
156-42	10-17	10-12	8,5	36,0	80,0	
157-43	13-22	13-17	10,0	43,0	99,0	
158-43	18-24	18-24	16,0	60,0	130,0	

DIMENSIONS APPLY TO ALL MATERIALS UNLESS OTHERWISE INDICATED AND ARE IN MM

VG PART NO.	HELLERMANN PART NO.	EXPANDED (MIN)				RECOVERED (MAX)		RECOVERED DIMENSIONS FULLY SHRUNK						
		H	H-H MATL	J	J-H MATL	H	J	P ±10%	R ±10%	S NOM	T ±20%	HW ±20%	JW ±20%	
VG 95343 T 06 B 001 A	*152-42	24,0	24,0	24,0	24,0	10,5	6,0	38,0	21,0	10,0	1,0	1,6	0,5	
VG 95343 T 06 B 002 A	*153-42	25,0	25,0	9,0	9,0	14,0	3,5	55,0	28,0	16,0	1,0	1,8	0,5	
VG 95343 T 06 B 003 A	*154-42	30,0	30,0	30,0	30,0	14,0	6,0	55,0	32,0	13,0	1,0	1,8	1,0	
VG 95343 T 06 B 004 A	*155-42	31,0	31,0	31,0	31,0	18,0	7,0	67,0	35,0	18,0	1,0	1,8	1,0	
VG 95343 T 06 B 005 A	*156-42	36,0	36,0	36,0	36,0	22,5	8,5	80,0	42,0	20,0	1,0	2,0	1,0	
VG 95343 T 06 C 001 A	*157-43	43,0	43,0	43,0	43,0	28,0	10,0	99,0	61,0	20,0	1,7	2,2	1,0	
VG 95343 T 06 C 002 A	*158-43	60,0	60,0	60,0	60,0	35,0	16,0	130,0	72,0	38,0	1,7	3,2	1,5	
VG 95343 T 06 C 003 A	*159-43	66,0	66,0	51,0	51,0	45,0	17,0	171,0	90,0	50,0	2,0	3,8	2,0	
VG 95343 T 06 C 004 A	160-43	82,0	81,0	82,0	81,0	58,0	27,0	213,0	113,0	62,0	2,0	3,8	3,8	
NON-STANDARD PRODUCTS WITH REDUCED OVERALL LENGTHS														
VG 95343 T 06 A 001 A	152-41	24,0	24,0	24,0	24,0	10,5	6,0	26,0	9,0	10,0	1,0	1,6	0,5	
VG 95343 T 06 A 002 A	153-41	25,0	25,0	9,0	9,0	14,0	3,5	40,0	13,0	16,0	1,0	1,8	0,5	
VG 95343 T 06 A 003 A	154-41	30,0	30,0	30,0	30,0	14,0	6,0	43,0	20,0	13,0	1,0	1,8	1,0	
VG 95343 T 06 A 004 A	155-41	31,0	31,0	31,0	31,0	18,0	7,0	47,0	15,0	18,0	1,0	1,8	1,0	
VG 95343 T 06 A 005 A	156-41	36,0	36,0	36,0	36,0	22,5	8,5	60,0	22,0	20,0	1,0	2,0	1,0	
VG 95343 T 06 A 006 A	157-41	43,0	43,0	43,0	43,0	28,0	10,0	60,0	21,0	20,0	1,7	2,2	1,0	
VG 95343 T 06 B 006 A	157-42	43,0	43,0	43,0	43,0	28,0	10,0	79,0	41,0	20,0	1,7	2,2	1,0	
VG 95343 T 06 A 007 A	158-41	60,0	60,0	60,0	60,0	35,0	16,0	90,0	32,0	38,0	1,7	3,2	1,5	
VG 95343 T 06 B 007 A	158-42	60,0	60,0	60,0	60,0	35,0	16,0	111,0	52,0	38,0	1,7	3,2	1,5	
VG 95343 T 06 A 008 A	159-41	66,0	66,0	66,0	51,0	45,0	17,0	130,0	50,0	50,0	2,0	3,8	2,0	
VG 95343 T 06 B 008 A	159-42	66,0	66,0	51,0	51,0	45,0	17,0	150,0	70,0	50,0	2,0	3,8	2,0	
VG 95343 T 06 A 009 A	160-41	82,0	81,0	82,0	81,0	58,0	27,0	137,0	37,0	62,0	2,0	3,8	3,8	
VG 95343 T 06 B 009 A	160-42	82,0	81,0	82,0	81,0	58,0	27,0	158,0	58,0	62,0	2,0	3,8	3,8	

ADHESIVE COATING OPTIONS		
REFERENCE	DEF-STAN REF	DESCRIPTION
WM250	WL	GENERAL PURPOSE HOT MELT +80 °C
W8	WH	HIGH PERFORMANCE HOT MELT +105 °C
W24	U	HIGH PERFORMANCE PRE-COAT EPOXY +200 °C

MATERIALS AVAILABLE			
REFERENCE		DEF-STAN REF	DESCRIPTION
B7	*	DA	SEMI-RIGID FLAME RETARDED POLYOLEFIN
G	*	DE	FLUID RESISTANT ELASTOMER
J		DB	FLEXIBLE POLYOLEFIN
H	*	DF	FLEXIBLE LIMITED FIRE HAZARD MATERIAL

*STANDARD PRODUCTS AND MATERIALS

DRAWING NOT TO SCALE, DIMENSIONS IN MM

See pages 18-26 for complete list of available materials, finishes and Connector interfaces (dimensions, form and O Ring subject to change depending on Backshell material and Connector interface)

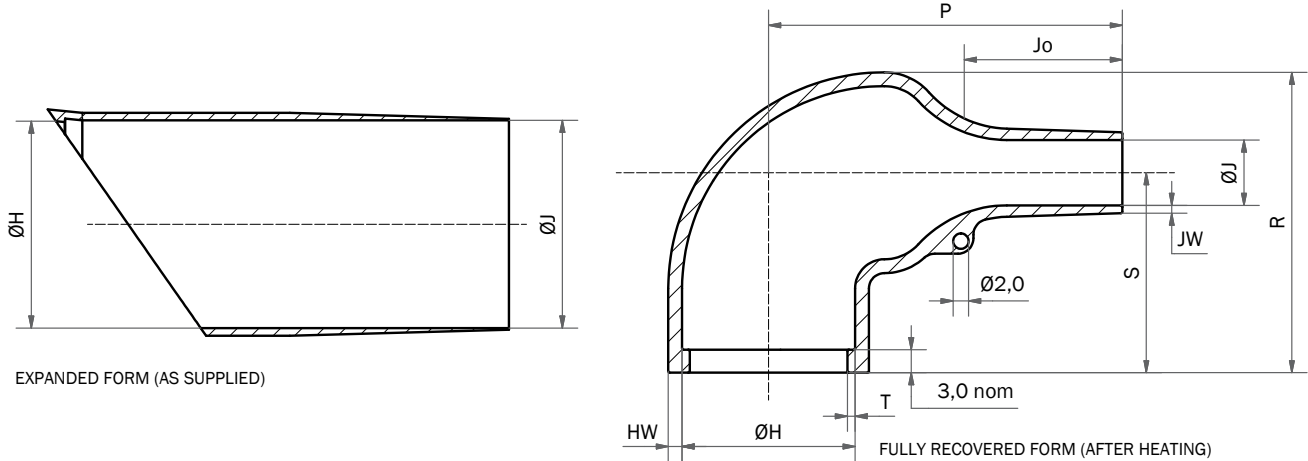
1100 Series

Heat Shrink Boots - Right-Angle with Rib-VG Style



Interconnect Solutions Worldwide

THIS STYLE IS USED IN CONJUNCTION WITH A CIRCULAR GROOVED BACKSHELL, PROVIDING STRAIN RELIEF AND ENVIROMENTAL SEALING.



HEATSHRINK BOOT SELECTION TABLE

HEATSHRINK BOOT SHAPE	FITS ENTRY SIZES	RECOMMENDED ENTRY SIZES	MINIMUM CABLE JACKET DIAMETER	MAXIMUM CABLE JACKET DIAMETER
1152-4	03-10	05	6,0	24,0
1154-4	03-14	06	6,0	30,0
1155-4	07-14	07-09	7,0	31,0
1156-4	10-17	10-12	8,5	36,0
1157-4	13-22	13-17	10,0	43,0
1158-4	18-24	18-24	16,0	60,0

DIMENSIONS IN MM		EXPANDED (MIN)		RECOVERED (MAX)		RECOVERED DIMENSIONS FULLY SHRUNK						
VG PART NO.	HELLERMANN PART NO.	H	J	H	J	P $\pm 10\%$	R $\pm 10\%$	S $\pm 10\%$	J _o $\pm 10\%$	HW $\pm 20\%$	JW $\pm 20\%$	T $\pm 10\%$
VG95343 T 06E001 A	* 1152-4	24.0	24.0	10.5	6.0	26.0	25.0	19.0	10.0	1.3	0.5	1.0
VG95343 T 06E002 A	* 1154-4	30.0	30.0	15.5	6.0	32.0	27.0	20.0	12.0	1.5	0.8	1.0
VG95343 T 06E003 A	* 1155-4	31.0	31.0	18.0	7.0	40.0	31.0	21.0	15.0	1.8	1.0	1.0
VG95343 T 06E004 A	* 1156-4	36.0	36.0	22.5	8.5	46.0	38.0	26.0	15.0	1.8	1.0	1.0
VG95343 T 06E005 A	* 1157-4	43.0	43.0	28.5	10.0	55.0	45.0	30.0	16.0	2.0	1.0	1.7
VG95343 T 06E006 A	* 1158-4	60.0	60.0	35.0	16.0	80.0	54.0	35.0	30.0	3.3	1.5	1.7
VG95343 T 06E007 A	* 1159-4	66.0	66.0	45.0	17.0	108.0	68.0	42.0	51.0	3.8	2.0	2.0
VG95343 T 06E008 A	1160-4	82.0	82.0	61.0	25.0	118.0	84.0	52.0	39.0	4.0	4.0	2.0

DIMENSIONS APPLY TO ALL MATERIALS UNLESS OTHERWISE INDICATED AND ARE IN MM

** NOT RECOMMENDED WITH BT OR 91 SERIES

MATERIALS AVAILABLE			
REFERENCE		DEF-STAN REF	DESCRIPTION
B7	*	DA	SEMI-RIGID FLAME RETARDED POLYOLEFIN
G	*	DE	FLUID RESISTANT ELASTOMER
J		DB	FLEXIBLE POLYOLEFIN
H	*	DF	FLEXIBLE LIMITED FIRE HAZARD MATERIAL

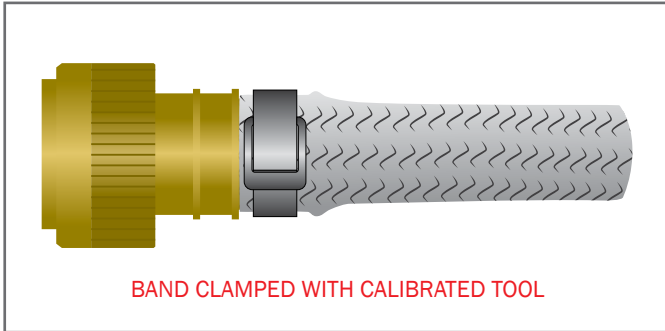
ADHESIVE COATING OPTIONS		
REFERENCE	DEF-STAN REF	DESCRIPTION
WM250	WL	GENERAL PURPOSE HOT MELT +80°C
W8	WH	HIGH PERFORMANCE HOT MELT +105°C
W24	U	HIGH PERFORMANCE PRE-COAT EPOXY +200°C

*STANDARD PRODUCTS AND MATERIALS

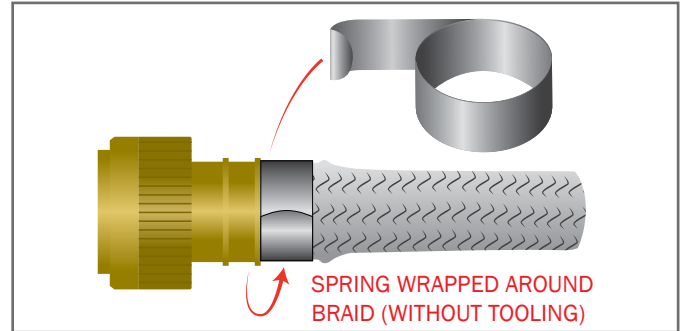
DRAWING NOT TO SCALE, DIMENSIONS IN MM

See pages 18-26 for complete list of available materials, finishes and Connector interfaces (dimensions, form and O Ring subject to change depending on Backshell material and Connector interface)

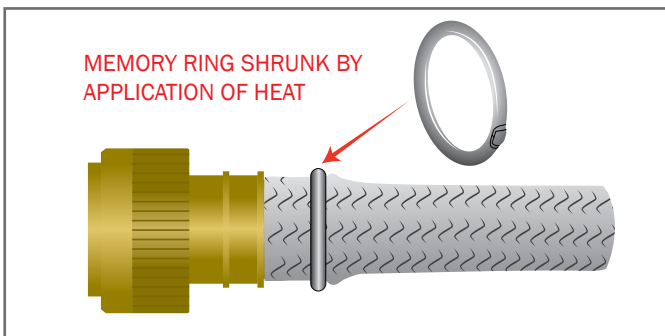
BAND



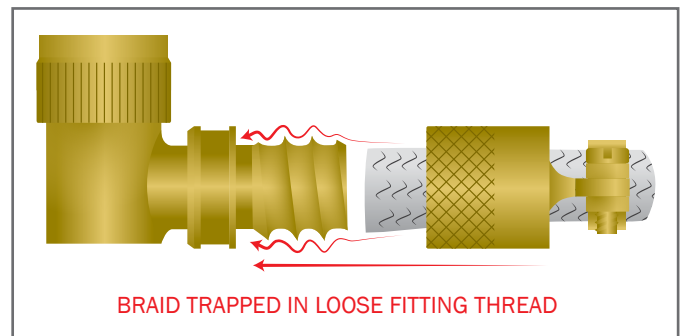
SPRING



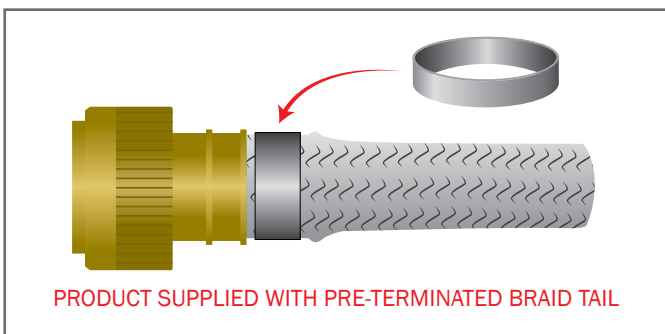
MEMORY RING



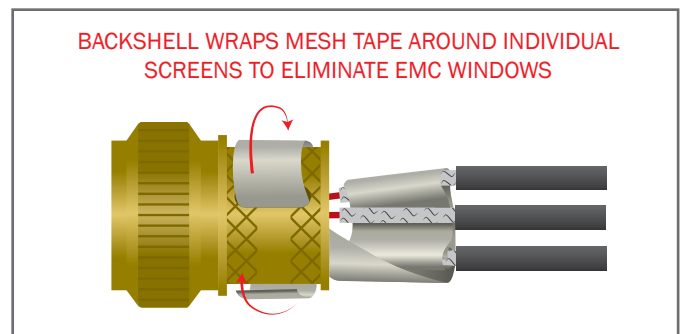
BRAID TRAP



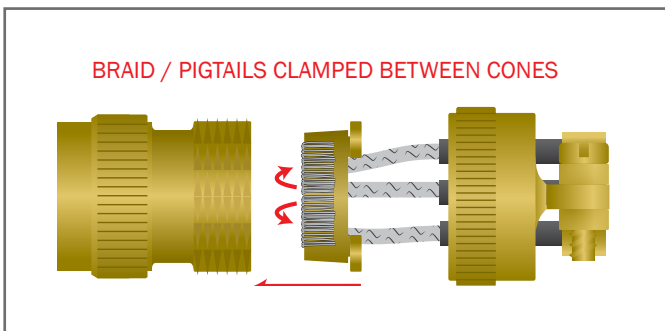
BRAID TAIL



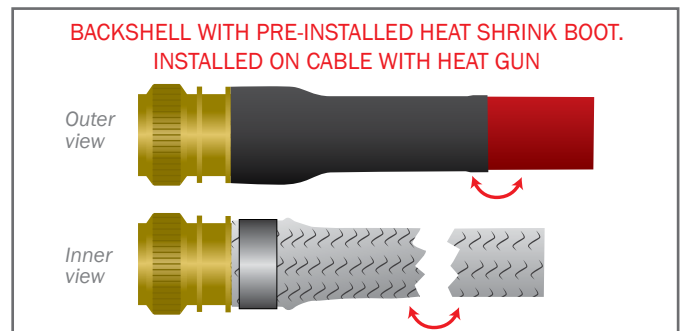
MESH TAPE



CONE



TAK



Adhesives

Specially-designed adhesives for strain-relief and environmental sealing or screen termination.

Anti-decoupling

(Also known as Self Locking)

Anti-decoupling backshells incorporate a ratchet in the nut to reduce the possibility of the backshell decoupling from the connector due to extreme vibration and shock.

Arctic grip

A deep square-form grip, alternative to a knurled grip, particularly on protective covers.

Backshell

Any accessory fitted to the rear thread of a connector, providing strain relief, screen termination and/or cable sealing.

Blanking Cover

Provides environmental protection and EMC shielding to circuitry or shorting loops at the rear of a connector that is to be used as a stand-alone device.

Cobra Head

Low profile split 90° adaptor.

Conduit

Flexible corrugated tubing that provides environmental protection for wiring. Can be used in conjunction with screenbraided and Polamco conduit adaptor backshells to provide a fully screened and sealed system

Connector

Device for electrically connecting wires to each other or to electrical equipment.

D38999

Refers to military connector standard MIL-DTL-38999 series III.

Direct-coupling

Direct-coupling backshells do not have a distinct nut, i.e. the entire backshell rotates when the backshell is screwed into place.

Dummy Receptacle

Provides stowage, environmental protection, and EMC shielding for an unmated plug.

EMC

Electromagnetic Compatibility assures the avoidance of interference effects resulting from the unintentional generation, propagation and reception of electromagnetic energy. This can be achieved by properly grounded shielding (screening) or by electronically filtering signals (Filter Connector).

Entry size

Two digits describe the diameter of the hole through which the cable enters into the backshell. Check the series datasheet for details – note that some series such as boot adaptors ('97' series) and cable clamps ('96' series) do not require the entry size to be stated.

Follower

Refers to the main body of a spin-coupling backshell.

Grommet

Can refer to the connector grommet, which is a piece of rubber on the rear of the connector, which provides a seal around each individual wire. Polamco D38999 spin-coupling backshells provide an internal chamfer to compress the connector grommet and thus improve the seal.

Or can refer to a cable sealing grommet, which features in 35, 36, 37 & 39 series, which seals on the cable jacket offering excellent immersion capability.

Heat shrink boot

Moulded sleeve that joins the cable jacket to a suitable backshell, for purposes of strain-relief and environmental protection. Heat-shrink boots shrink to fit and are installed by use of a specialised hot air gun. Adhesive-lined boots and a variety of materials are available.

Heat shrink kit

Backshell with pre-installed heat-shrink boot and optional (internal) overall screen. Enables easy installation whereby boot and 360° screen termination are achieved in one operation by use of hot air gun.

Individual screen

EMC shield (e.g. screenbraided) encompassing an individual wire in a bundle.

Insert Arrangement

The number, spacing and arrangement of contacts in a connector.

IP rating

The International Protection Rating classifies the degrees of protection provided against the intrusion of solid objects, dust, accidental contact, and water in electrical enclosures.

IP68 means that the installed component shall allow no ingress of dust and is suitable for continuous immersion in water beyond 1 metre, under conditions specified by the manufacturer. Where stated within this catalogue, the conditions are 1 metre submersion for 1 hour.

Lacing Tape

Lacing cord used as a binding medium to indicate an EMC classification of an open wiring harness.

Nomex High Temperature Sleeving

Flexible, abrasion resistant cable-sleeving capable of withstanding temperatures up to 245°C.

Overall screen

EMC shield (e.g. screenbraid) encompassing entire wire bundle.

Protective Cover

Provides environmental protection and EMC shielding on the front (mating end) of an unmated connector.

RoHS

The RoHS Directive bans the placing on the EU market of new electrical and electronic equipment containing more than agreed levels of lead, cadmium, mercury, hexavalent chromium, polybrominated biphenyl (PBB) and polybrominated diphenyl ether (PBDE) flame retardants.

Screenbraid

Flexible EMC shield in expanding sleeve form for covering cable.

Shell size

Two numerical digits state the size of the connector.

In D38999 there are nine shell sizes, which Polamco refers to as "09" to "25" in increments of 2. In D38999 these translate to shell sizes "A" to "J" (not including "I").

Shield

See EMC

Spin-coupling

Spin-coupling backshells have a coupling nut that rotates freely on the backshell body.

Square flange receptacle

Connector held to a panel by four screws, one in each corner of the flange. Mates with plug.

Step-up

Refers to a backshell where the entry size ØG exceeds the throat diameter ØT .

Strain relief

Any method of relieving the strain on the individual wires, should the cable be put under tension. Common methods are cable clamps, heatshrink boots, tie posts.

Style II assembly

When the entry size ØG exceeds the throat diameter ØT (determined by the shell size), a style II assembly can be specified as a non-standard option. In a style II assembly, an additional low-profile spin-coupling front adaptor is supplied to effectively increase the shell size of the connector, so that the main (now called secondary) adaptor has a throat diameter larger than the entry size. This may be an advantage if the main adaptor needs to be slid back along the cable somewhat to give access to the connector grommet during installation. In 35, 36, 37 and 39 series, style II is supplied as standard whenever ØG exceeds ØT .

Torque differential

Torque-differential backshells have an advanced anti-decoupling feature which favours tightening over decoupling with at least a 2:1 torque ratio.

SERIES INDEX

35 Series (Cone).....	220
36 Series (Cone).....	232
37 Series (Strain Relief).....	290
39 Series (Cone).....	244
60 Series (Memory Ring).....	126
63 Series (Conduit Backshell).....	324
64 Series (Cone).....	200
70 Series (Braid Tail).....	156
76 Series (Heat Shrink Boot).....	316
77 Series (Strain Relief).....	286
86 Series (Strain Relief).....	296
88 Series (Band).....	66
89 Series (Band).....	78
91 Series (Spring).....	106
95 Series (Braid Trap).....	144
96 Series (Strain Relief).....	276
97 Series (Heat Shrink Boot).....	300
98 Series (Grommet Compression Nut).....	320
100P2589 Series (Non-Metallic Conduit).....	330
150 Series (Heat Shrink Boot).....	354
308 Series (Cone).....	186
318 Series (Cone).....	194
1100 Series (Heat Shrink Boot).....	355
AP Series (Band).....	90
BT Series (Band).....	30
CS64 Series (Cone).....	256
DB Series (Band).....	60
DC Series (Extender/Angle Adaptor).....	344
DS Series (Band).....	94
KMA Series* (Mesh Tape).....	166
KMCC Series* (Mesh Tape).....	178
MB Series (Band).....	54
NP Series (Thread Adaptor).....	334
PBS90 (Screenbraid).....	351
PBS95 (Screenbraid).....	351
PE90 (Screenbraid).....	350
PE93 (Screenbraid).....	350
PG Series (Thread Adaptor).....	334
TAK Series (TAK).....	264

TM Series (Thread Adaptor).....	334
TU Series (Thread Adaptor).....	334
VG Series (Band).....	84
VG Series (Cone).....	198
VG Series (Heat Shrink Boot).....	318

GENERAL INDEX

Adhesives.....	352
Associated Products.....	348
Band Backshells.....	30
Braid Tail Backshells.....	156
Braid Trap Backshells.....	144
Calculating Wire Bundle Diameter.....	17
Conduit Backshells & Conduit.....	323
Cone Backshells.....	186
Connector Interface Table.....	22
Grommet Compression Nut Backshells.....	320
Heat Shrink Boot Backshells.....	300
Heat Shrink Boots.....	354
Material & Plating.....	18
Memory Ring Backshells.....	126
Mesh Tape Backshells.....	166
Non-Screened Backshell Product Finder.....	14
Non-Screened Backshells.....	275
Part Numbering System.....	16
POL125 (Adhesive).....	352
POL183 (Conductive Adhesive).....	352
RoHS Statement.....	27
Screen Termination Band.....	349
Screenbraid.....	350
Screened Backshell Product Finder.....	8
Screened Backshells.....	29
Screened Termination Styles.....	356
Spring Backshells.....	106
Standard Derivatives: Modification Codes.....	20
Standard Derivatives: Style T2 & T3 Adaptors.....	21
Strain Relief Backshells.....	276
TAK Backshells.....	264
Thread Adaptors and Extenders.....	333

* MANUFACTURED UNDER LICENCE 'AGUSTAWESTLAND HELICOPTERS UK PATENT 2239358'

X-ON Electronics

Largest Supplier of Electrical and Electronic Components

Click to view similar products for [Circular MIL Spec Backshells](#) category:

Click to view products by [TE Connectivity](#) manufacturer:

Other Similar products are found below :

[60-036152-022](#) [610HS012M15](#) [M28840/504WA](#) [M28840/805WB](#) [M28840/809WA](#) [M28840/815WA](#) [M28840/816WA](#) [627AS017M14](#)
[627MA124M14S](#) [655HS002NF11](#) [CW3899-000](#) [M85049/10-134S](#) [M85049/10-17S](#) [M85049/10-33S](#) [M85049/10-94W](#) [M85049/11-28N](#)
[M85049/11-37N](#) [M85049/11-53N](#) [M85049/11-63N](#) [M85049/120-14W](#) [M85049/124-23W](#) [M85049/1720N04B](#) [M85049/1821W05C](#)
[M85049/1825W06C](#) [M85049/1919N05](#) [M85049/23-74W](#) [M85049/24-71N](#) [M85049/25-47N](#) [M85049/25-94W](#) [M85049/27S12N](#) [M85049/39-](#)
[11S](#) [M85049/39-17S](#) [M85049/39-9S](#) [M85049/6-10B](#) [M85049/6-19N](#) [M85049/6-20B](#) [M85049/77-20W04](#) [M85049/78-11N03](#) [M85049/78-](#)
[15W02](#) [M85049/78-17N04](#) [M85049/78-19N05](#) [M85049/79-19N07](#) [M85049/79-25N04](#) [M85049/82-18N02](#) [M85049/82-22P02](#) [M85049/83-](#)
[10W03](#) [M85049/84-20N03](#) [M85049/8-48N](#) [M85049/85-24N01](#) [M85049/85-24P01](#)