

| REVISIONS | | | | | |
|-----------|-----|-------------------|-----------|------|------|
| P | LTR | DESCRIPTION | DATE | DWN | APVD |
| | H | See ECO-19-012594 | 8/12/2019 | J.B. | T.L. |

Raychem TAK- Sleeve Adhesive-Lined Modified PVDF Tubing

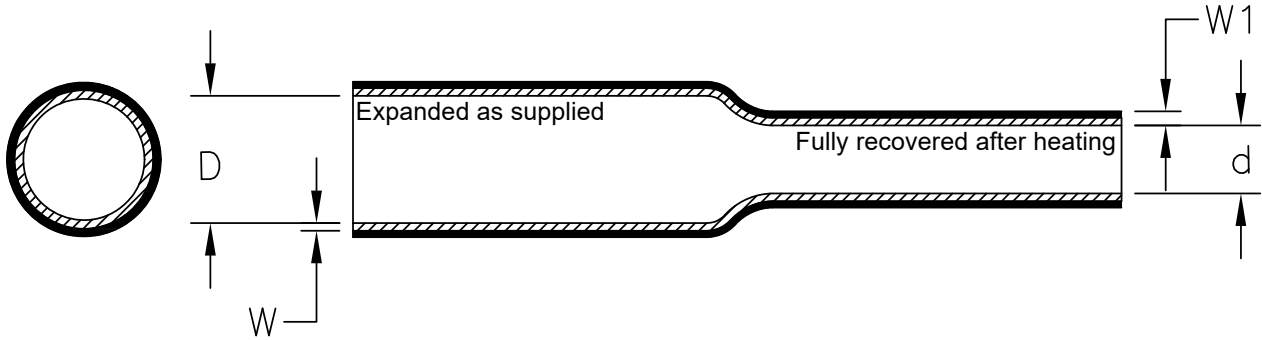


Table 1: Dimensions mm (inches)

| Size | As Supplied | | | | As Recovered | | | |
|-------|------------------------------|---------------|---------------------------|-------|-----------------------------|-------|-------------------------|-------|
| | Expanded Inside Diameter (D) | | Adhesive Wall Nominal (W) | | Inside Diameter Maximum (d) | | Total Wall Minimum (W1) | |
| | mm. | in. | mm. | in. | mm. | in. | mm. | in. |
| 1/8 | 3.18 min | 0.125 min | 0.13 | 0.005 | 1.02 | 0.040 | 0.483 | 0.019 |
| 3/16 | 4.75 min | 0.187 min | 0.13 | 0.005 | 1.78 | 0.070 | 0.533 | 0.021 |
| 1/4 | 6.35 min | 0.250 min | 0.13 | 0.005 | 2.67 | 0.105 | 0.457 | 0.018 |
| 3/8 | 9.53 min | 0.375 min | 0.13 | 0.005 | 4.19 | 0.165 | 0.483 | 0.019 |
| 1/2 | 12.70 min | 0.500 min | 0.13 | 0.005 | 6.35 | 0.250 | 0.635 | 0.025 |
| No. 1 | 12.70 min | 0.500 min | 0.33 | 0.013 | 6.35 | 0.250 | 0.635 | 0.025 |
| No. 2 | 19.05 min | 0.750 min | 0.25 | 0.010 | 6.35 | 0.250 | 0.889 | 0.035 |
| No. 3 | 5.21 min | 0.205 min | 0.13 | 0.005 | 1.78 | 0.070 | 0.533 | 0.021 |
| No. 4 | 5.59 ± 0.25 | 0.220 ± 0.010 | 0.25 | 0.010 | 2.41 | 0.095 | 0.483 | 0.019 |

Color: Transparent Jacket, amber adhesive


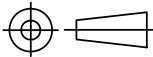
Reference Specification 108-120020

RELEASED FOR PUBLICATION

ALL RIGHTS RESERVED.

THIS DRAWING IS UNPUBLISHED.

© COPYRIGHT 2019 TE Connectivity

| | | | | |
|--|---|--|--|--------------------|
| DIMENSIONS: INCHES | DWN J. BITTER | 7MAY2019 | MATERIAL - | FINISH - |
| | CHK T. LICKO | - |  TE Connectivity Ltd. | |
| TOLERANCES UNLESS OTHERWISE SPECIFIED: | APVD T. LICKO | - | | |
| 0 PLC ± - | PRODUCT SPEC 108-120020 | NAME Raychem TAK-Sleeve Adhesive-Lined Modified PVDF Tubing | | |
| 1 PLC ± - | APPLICATION SPEC - | SIZE A4 | | |
| 2 PLC ± - | WEIGHT 0 | CAGE CODE 00779 | DRAWING NO C-TAK-SLEEVE | RESTRICTED TO - |
| 3 PLC ± - |  | CUSTOMER DRAWING | | SCALE 1:1 |
| 4 PLC ± - | | ANGLE ± - | SHEET 1 OF 1 | REV H |

X-ON Electronics

Largest Supplier of Electrical and Electronic Components

Click to view similar products for [Heat Shrink Tubing and Sleeves](#) category:

Click to view products by [TE Connectivity](#) manufacturer:

Other Similar products are found below :

[770-006S102](#) [5685710001](#) [CR8248-000](#) [CR9960-000](#) [603312-4](#) [607381P039](#) [611112-000](#) [617867N001](#) [6500750004](#) [CZ1420-000](#) [D-306-38](#)
[770-003S106W2](#) [770-005S105W1](#) [770-005S106W1](#) [770-007A303](#) [770-010Y106W1](#) [770-010Y706W1](#) [7771210001](#) [MFP-1/4"-Clear](#) [MFP-3/64"-Clear](#) [790-3012](#) [MFT-MT2000-NO.14-0-SP](#) [MHHT-4-15K2-G-104](#) [MIL-LT-1-1/2-4-SP](#) [MIL-LT-1-1/2-9-STK](#) [MIL-LT-1/2-2-STK](#)
[MIL-LT-3-0-SP](#) [MIL-LT-3/32-0-SP](#) [MIL-LT-3/32-6-SP](#) [MIL-LT-3/4-6-SP](#) [MIL-LT-3/8-0-SP](#) [8159270001](#) [839602-000](#) [8423-6](#) [FP301-116-6"-Black](#) [FP301-1/2-48"-Black](#) [FP301-12-48"-Black-Hdr](#) [FP301-1/4-48"-Black](#) [FP301-1/4-48"-White-Hdr](#) [FP301-18-48"-Black-Hdr](#) [FP301-1/8-6"-Black](#) [FP301-18-6"-Black-Bulk](#) [FP301-316-48"-Blue-Hdr](#) [FP301-316-6"-Clear](#) [FP301-332-6"-Black](#) [912229N002](#) [120-126-16BL](#) [121-001-09](#) [121-018-32](#) [121-018-40](#)