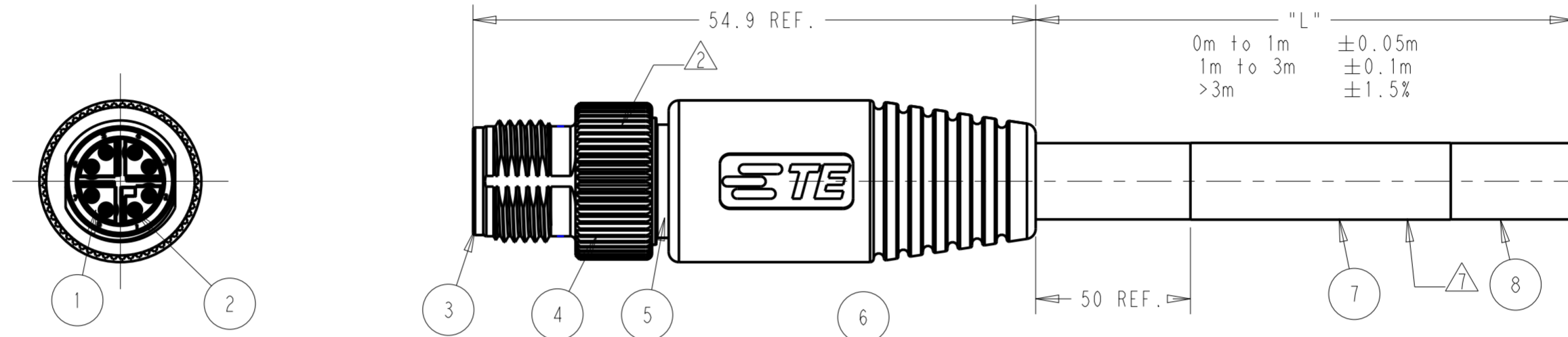


© 2020 TE Connectivity. All Rights Reserved.

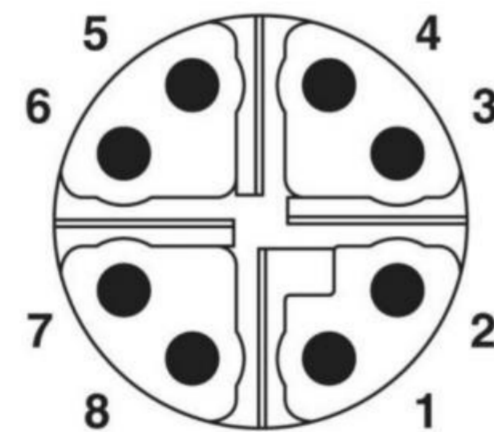
REVISIONS

8	CABLE CAT6A TPE	TPE JACKET	TEAL
	CABLE CAT6A PUR	PUR JACKET	GREEN
	CABLE CAT6A PVC	PVC JACKET	GREEN
7	LABLE	-	-
	OVERMOLD FOR TPE CABLE ASSEMBLY	TPU	BLACK
6	OVERMOLD FOR PUR CABLE ASSEMBLY	TPU	BLACK
	OVERMOLD FOR PVC CABLE ASSEMBLY	PVC	BLACK
5	SHEATH BODY	ZINC ALLOY	TIN
4	COUPLING RING	ZINC ALLOY	NICKEL
3	CROSS SHIELDING	ZINC ALLOY	NICKEL
2	CONTACT	COPPER ALLOY	FLASH GOLD
1	INSERT HOUSING	NYLON	BLACK
ITEM	DESCRIPTION	MATERIAL	COMMENT

P	LTR	DESCRIPTION	DATE	DWN	APVD
	A	INITIAL RELEASE	02DEC2020	G.W	C.W



M12 X-CODE MALE PIN ASSIGNMENT



CIRCUIT DIAGRAM

M12 MALE

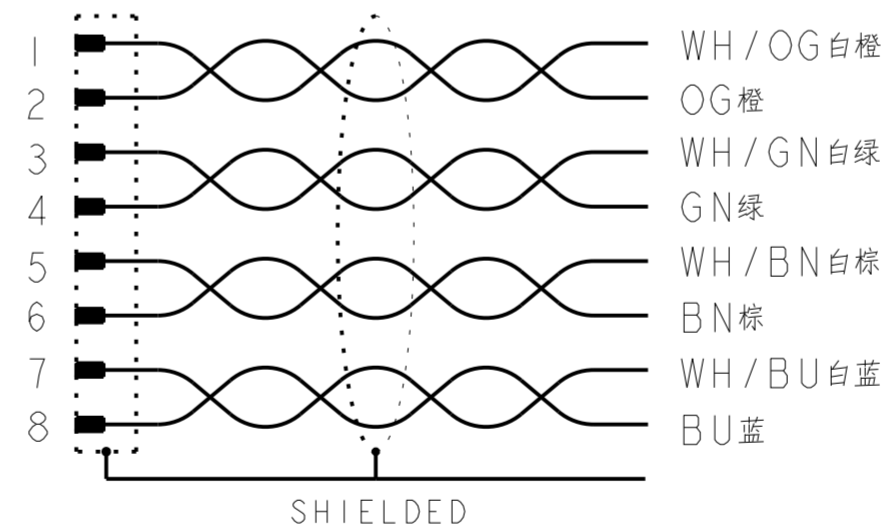


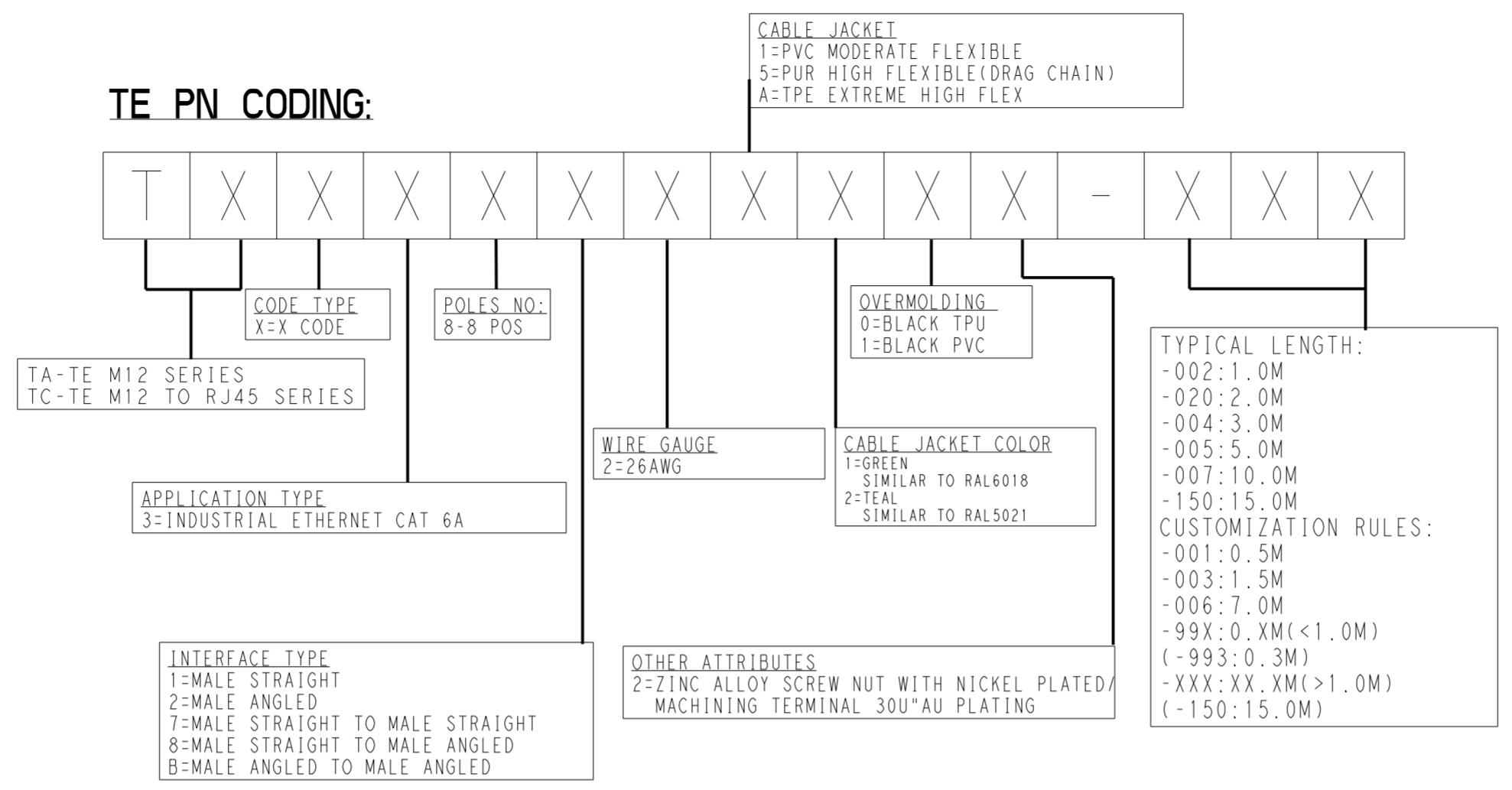
TABLE 1

TRANSMISSION	CAT6A
RATED VOLTAGE	30V MAX
RATED CURRENT	0.5A MAX
CONTACT RESISTANT	15mΩ Max
INSULATION WITHSTAND	100MΩ Min
PROTECTION	IP67(MATED)

THIS DRAWING IS A CONTROLLED DOCUMENT.		DWN 09DEC2020 GAVIN WANG	TE Connectivity
DIMENSIONS: mm		CHK 20NOV2020 KEVIN HUANG	
TOLERANCES UNLESS OTHERWISE SPECIFIED:		APVD 20NOV2020 CHRIS WANG	
0 PLC ±-		PRODUCT SPEC	NAME M12 X-CODE STRAIGHT, MALE, SHIELDED
1 PLC ±0.5		108-137538	SINGLE END
2 PLC ±0.13		APPLICATION SPEC	SIZE CAGE CODE DRAWING NO RESTRICTED TO
3 PLC ±0.013		114-137538	A2 00779 C-TAX3812XXX2XXX
4 PLC ±0.0001		WEIGHT -	SCALE 2:1 SHEET 1 OF 2 REV A
ANGLES ±-		CUSTOMER DRAWING; RESTRICTED CUSTOMER	
FINISH -			

REVISIONS				
P	LTR	DESCRIPTION	DATE	APVD
		SEE SHEET 1		

TE PN CODING:



- NOTE:**
1. TECHNICAL DATA:SEE TABLE 1
 2. TYPICAL HAND TIGHENED TORQUE IS 0.4 Nm
 3. -** :CABLE LENGTH, FOR EXAMPLE:-1.0M
 4. CABLE ASSEMBLY TO BE PACKAGED AS PACKAGING SPECIFICATION.
 5. TEMPERATURE RANGE:-25°C~80°C(MOVED)
-40°C~80°C(FIXED)
 6. TRANSMISSION CHARACTERISTICS: Ethernet CAT 6A, 10 Gbps
- 注释:**
1. 技术参数:参考表 1
 2. 标准手拧扭矩0.4 Nm
 3. -** :线缆长度 例如:1.0M
 4. 线缆组件按照包装规范包装;
 5. 工作温度:-25°C~80°C(MOVED)
-40°C~80°C(FIXED)
 6. 传输特性:CAT 6A,10Gbps

WIRES: 26AWGX4P WIRE COLOR: SEE ABOVE PIN ASSIGNMENT OD: APPROX.7.45MM TEMPERATURE RAING: DRAG CHAIN TEST: 1.0MILLION CYCLES MIN. (R=75MM,V=2M/S,A=2M/S ²) TORSION REST:3 MILLION MIN.	TYPICAL LENGTH: -002:1.0M -020:2.0M -004:3.0M -005:5.0M -007:10.0M -150:15.0M	M12带TPE线X型直型8针公插X.XM	RPC-M12X-MS-8CON-TPE-**SH	8	TAX3812A202-XXX
WIRES: 26AWGX4P WIRE COLOR: SEE ABOVE PIN ASSIGNMENT OD: APPROX.7.25MM DRAG CHAIN TEST: 3.0MILLION CYCLES MIN. (R=100MM,V=2M/S,A=2M/S ²)	CUSTOMIZATION RULES: -001:0.5M -003:1.5M -006:7.0M -99X:0.XM(<1.0M) (-993:0.3M) -XXX:XX.XM(>1.0M) (-150:15.0M)	M12带PUR线X型直型8针公插X.XM	RPC-M12X-MS-8CON-PUR-**SH	8	TAX38125102-XXX
WIRES: 26AWGX4P WIRE COLOR: SEE ABOVE PIN ASSIGNMENT OD: APPROX.6.7MM FOR 4P		M12带PVC线X型直型8针公插X.XM	RPC-M12X-MS-8CON-PVC-**SH	8	TAX38121112-XXX
CABLE CHARACTERISTIC 线缆特性	LENGTH "L"(M) 长度"L"(米)	DESCRIPTION 描述	TYPE 型号	POS.	TE PN TE 料号

1. 技术参数:参考表 1
 2. 标准手拧扭矩0.4 Nm
 3. -** :线缆长度 例如:1.0M
 4. 线缆组件按照包装规范包装;
 5. 工作温度:-25°C~80°C(MOVED)
-40°C~80°C(FIXED)
 6. 传输特性:CAT 6A,10Gbps
- 标签包含: 产品编号, 日期代码...

THIS DRAWING IS A CONTROLLED DOCUMENT.

DIMENSIONS: mm	TOLERANCES UNLESS OTHERWISE SPECIFIED: 0 PLC ± 1 PLC ± 2 PLC ± 3 PLC ± 4 PLC ± ANGLES ± FINISH	DWN: 20NOV2020 GAVIN WANG CHK: 20NOV2020 KEVIN HUANG APVD: 20NOV2020 CHRIS WANG	 TE Connectivity NAME: M12 X-CODE STRAIGHT, MALE, SHIELDED SINGLE END SIZE: A2 CAGE CODE: 00779 DRAWING NO: TAX3812XXX2XXX RESTRICTED TO: CUSTOMER DRAWING; RESTRICTED CUSTOMER SCALE: 2:1 SHEET: 2 OF 2 REV: A
-------------------	---	--	---

X-ON Electronics

Largest Supplier of Electrical and Electronic Components

Click to view similar products for [Ethernet Cables / Networking Cables](#) category:

Click to view products by [TE Connectivity](#) manufacturer:

Other Similar products are found below :

[73-6670-7](#) [73-6680-15](#) [73-7797-25](#) [MCJB2-10P6Q7-120](#) [84909-0204](#) [1200700174](#) [1200860368](#) [E16A06002M030](#) [E200102-009-S1](#)
[AX105346-EW](#) [MT14-187L](#) [17-103530](#) [ERWPAB3002M005](#) [190-038045-01](#) [NK5EPC18RDY](#) [NK5EPC18VLY](#) [NK5EPC18YLY](#)
[NK5EPC1GRY](#) [NK5EPC4Y](#) [NK5EPC6YLY](#) [NK5EPC8BLY](#) [NK5EPC9YLY](#) [1969343-6](#) [C501100010](#) [C501106002](#) [C501106007](#)
[C501106015](#) [C501106025](#) [C601102010](#) [C601104010](#) [C601106007](#) [C601106015](#) [2142758-2](#) [2168427-2](#) [CAT1106007](#) [21949-1](#) [2J1866A](#)
[RJF SFTP 5E 0500](#) [AX100351](#) [MN14CEC/ST](#) [C501100015](#) [C501106004](#) [C501106010](#) [C5F1108007](#) [C601104004](#) [C601106004](#)
[CA21106004](#) [CA21106010](#) [CA21106015](#) [CA21109007](#)