

Printed on 12 Aug 2021 17:18 (China Standard Time) from IE342765

4

3

2

1

© 2021 TE Connectivity. All Rights Reserved.

ITEM	DESCRIPTION	MATERIAL	COMMENTS
1	MALE POWER CONTACT	COPPER ALLOY	30U'' GOLD PLATED TO CONTACT AREA
2	MALE SIGNAL CONTACT	COPPER ALLOY	30U'' GOLD PLATING TO CONTACT AREA
3	PLASTIC INSERT	NYLON	BLACK
4	MALE METAL BODY	ZINC ALLOY	NICKEL PLATED
5	NUT	COPPER ALLOY	NICKEL PLATED
6	OVER-MOLDING HANDLE	POLYAMIDE	BLACK
7	LABEL	-	-
8	SPE CABLE	PUR JACKET	BLACK

REVISIONS				
P	LTR	DESCRIPTION	DATE	APVD
	A	INITIAL RELEASE	12AUG2021	HH CW

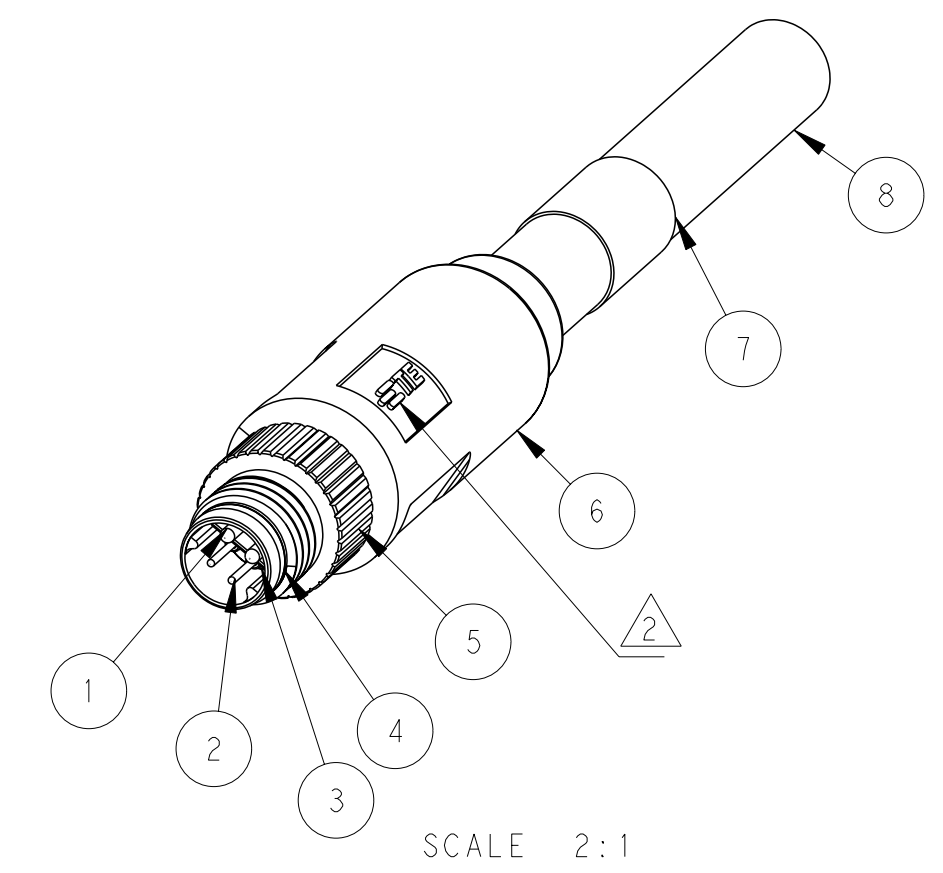
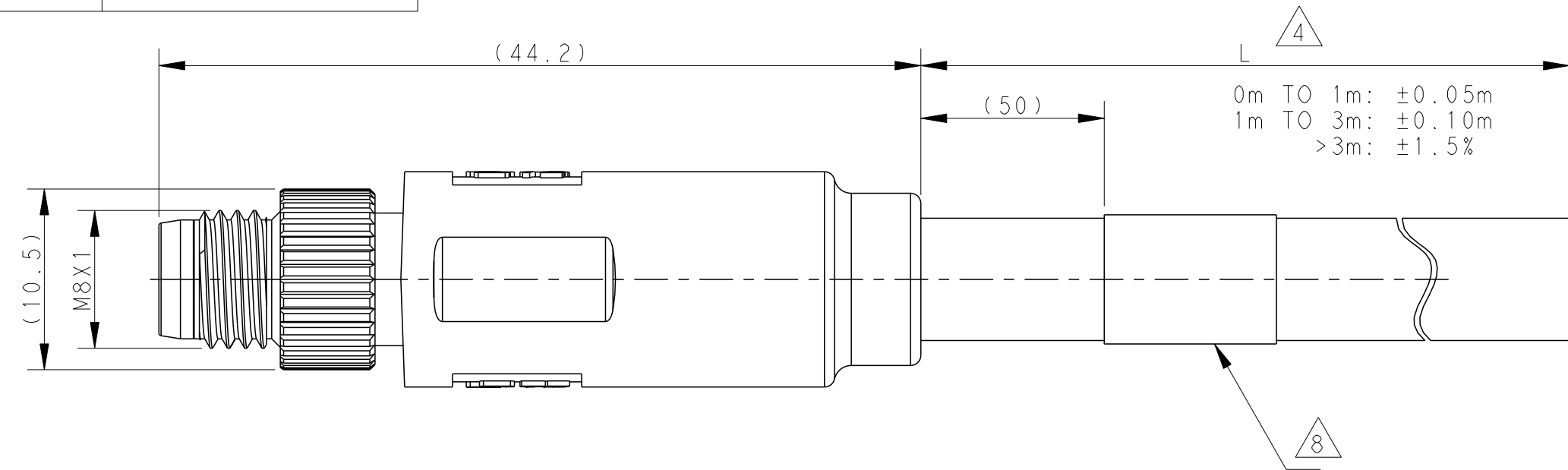
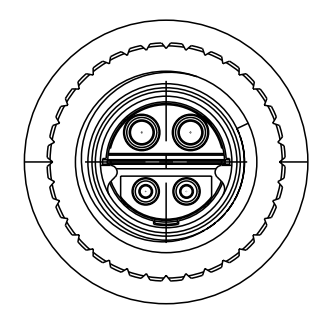


TABLE 1

TECHNICAL DATA	TB1141D4722-XXX
VOLTAGE PROOF	1000VDC (ADJACENT CONTACT) 2250VDC (CONTACT TO SHIELDED)
RATED VOLTAGE	60VDC MAX.
RATED CURRENT	8A MAX. (POWER CONTACT) 4A MAX. (SIGNAL CONTACT)
OVERVOLTAGE CATEGORY	II
MATERIAL GROUP	I
DEGREE OF PROTECTION (MATING CONDITION)	IP67
TEMPERATURE RATING	-40°C~85°C

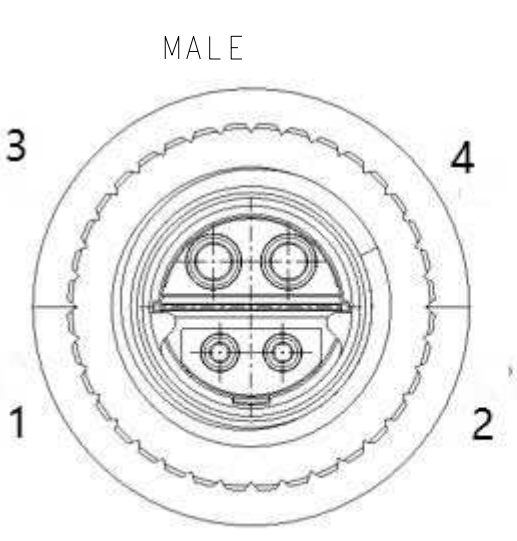
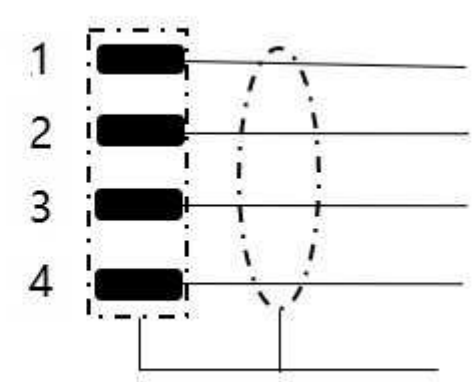
NOTES:

1. TECHNICAL DATA: SEE TABLE 1
2. LOGO AREA.
3. RECOMMENDED MATING TORQUE: 0.4Nm
4. -XXX REFER TO LENGTH "L"
5. 100% OPEN AND SHORT CIRCUIT TEST
6. CABLE ASSEMBLY TO BE PACKED IN POLYBAGS.
7. PRODUCT COMPLIES WITH IEC 63171-6 ED2
8. LABEL CONTAINS: PN AND DATE CODE
9. PRODUCT COMPLIES WITH ROHS AND REACH.

CONTACT ARRANGEMENT

- 1-BLUE WIRE
- 2-WHITE WIRE
- 3-RED WIRE
- 4-BLACK WIRE

CIRCUIT DIAGRAM MALE



SPE CABLE: WIRES: 2X22AWG+2X18AWG WIRE COLOR: BLUE/WHITE/BLACK/RED OD: APPROX. 7.1MM	TYPICAL LENGTH: -001: 0.5m -002: 1.0m -004: 3.0m -005: 5.0m -007: 10.0m -150: 15.0m -400: 40.0m	BLACK	PUR	SPE T1 INDUSTRIAL M8 HYBRID IP67 CABEL ASSEMBLY, MALE, STRAIGHT, SINGLE END	RPC-M8-MS-4CON-PUR-**SH	4	TB1141D4722-XXX
CABLE CHARACTERISTIC	CABLE LENGTH "L" <sup>4</sup>	CABLE JACKET COLOR	CABLE JACKET MATERIAL	DESCRIPTION	TYPE	POS.	PART NUMBER

THIS DRAWING IS A CONTROLLED DOCUMENT.

DIMENSIONS: mm	TOLERANCES UNLESS OTHERWISE SPECIFIED:	DWN: HE HART 29 JUN 2020	TE Connectivity
	0 PLC ±	CHK: WANG CHRIS 29 JUN 2020	
	1 PLC ±	APVD: WANG CHRIS 29 JUN 2020	
	2 PLC ±	NAME: SPE T1 INDUSTRIAL M8 HYBRID IP67 CABEL ASSEMBLY, MALE, STRAIGHT, SINGLE END	
MATERIAL: -	FINISH: -	PRODUCT SPEC: 108-137521	SIZE: A2
		APPLICATION SPEC: 114-137144-1	CAGE CODE: 00779
		WEIGHT: -	DRAWING NO: TB1141D4722XXX
		CUSTOMER DRAWING	RESTRICTED TO: A

SCALE: 3:1 SHEET 1 OF 1 REV A

## X-ON Electronics

Largest Supplier of Electrical and Electronic Components

*Click to view similar products for [Specialised Cables category](#):*

*Click to view products by [TE Connectivity manufacturer](#):*

Other Similar products are found below :

[603PT6](#) [603SS6L](#) [604PT6](#) [604SS6](#) [706000D02F200](#) [910640](#) [1200740077](#) [1200740114](#) [AC172](#) [ACL-SSI-4](#) [R88ACAKA0015SRE](#)  
[R88ACAWL005SDE](#) [R88ACRGD0R3C](#) [1300150047](#) [1300660036](#) [1302262116](#) [1300150149](#) [1300220020](#) [1300220104](#) [1300220119](#)  
[1301240492](#) [1301810221](#) [1365323-1](#) [1613055](#) [176P12](#) [1971465-2](#) [20240400003](#) [20240400013](#) [2085828-1](#) [20886510030](#) [2-22733-8](#) [22733-](#)  
[8](#) [CB-5PSBC-RS](#) [CB-704EC-RS](#) [CB-BATACC-RS](#) [CB-JST3PSW-RS](#) [CB-M12COM-R10](#) [25AC84](#) [25AK84X](#) [25AU25](#) [25FN82](#) [3011-03](#)  
[AC118](#) [ACL-HHS-1M\(CAT5E\)](#) [SSL009PC2DC012N](#) [FC2A-KC6C](#) [2085828-2](#) [20886510150](#) [CCS-FCB-5](#) [CCSFCBF2](#)