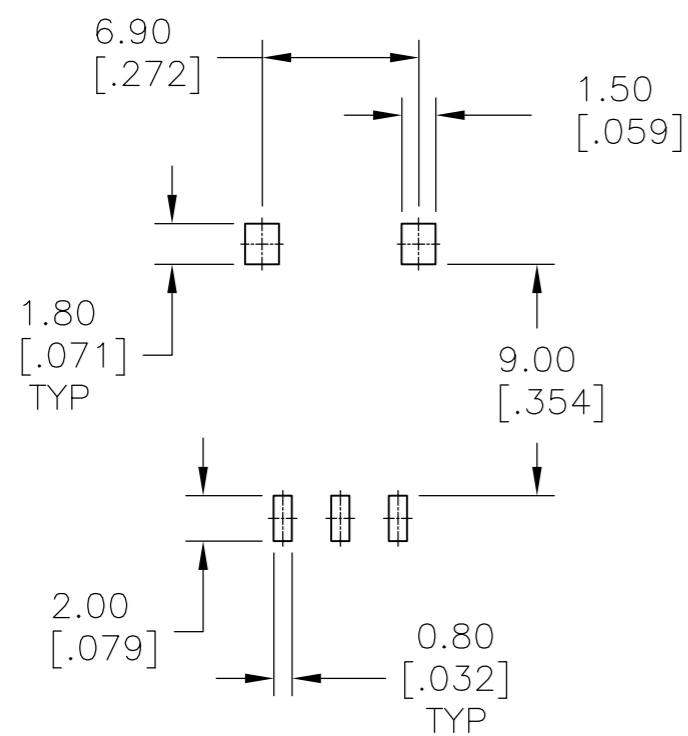
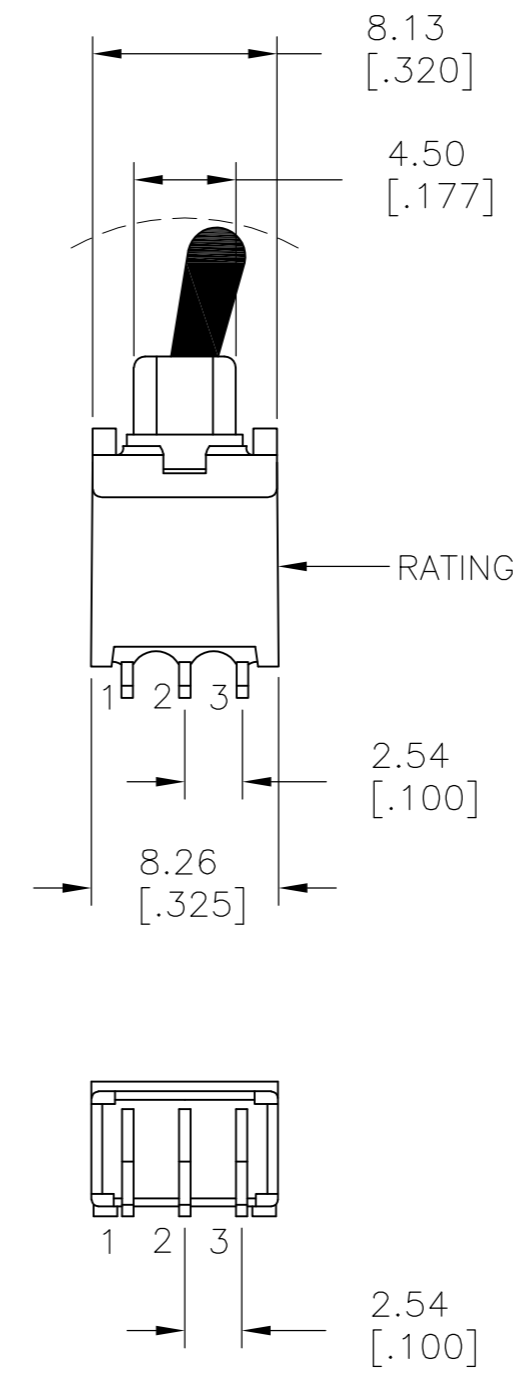
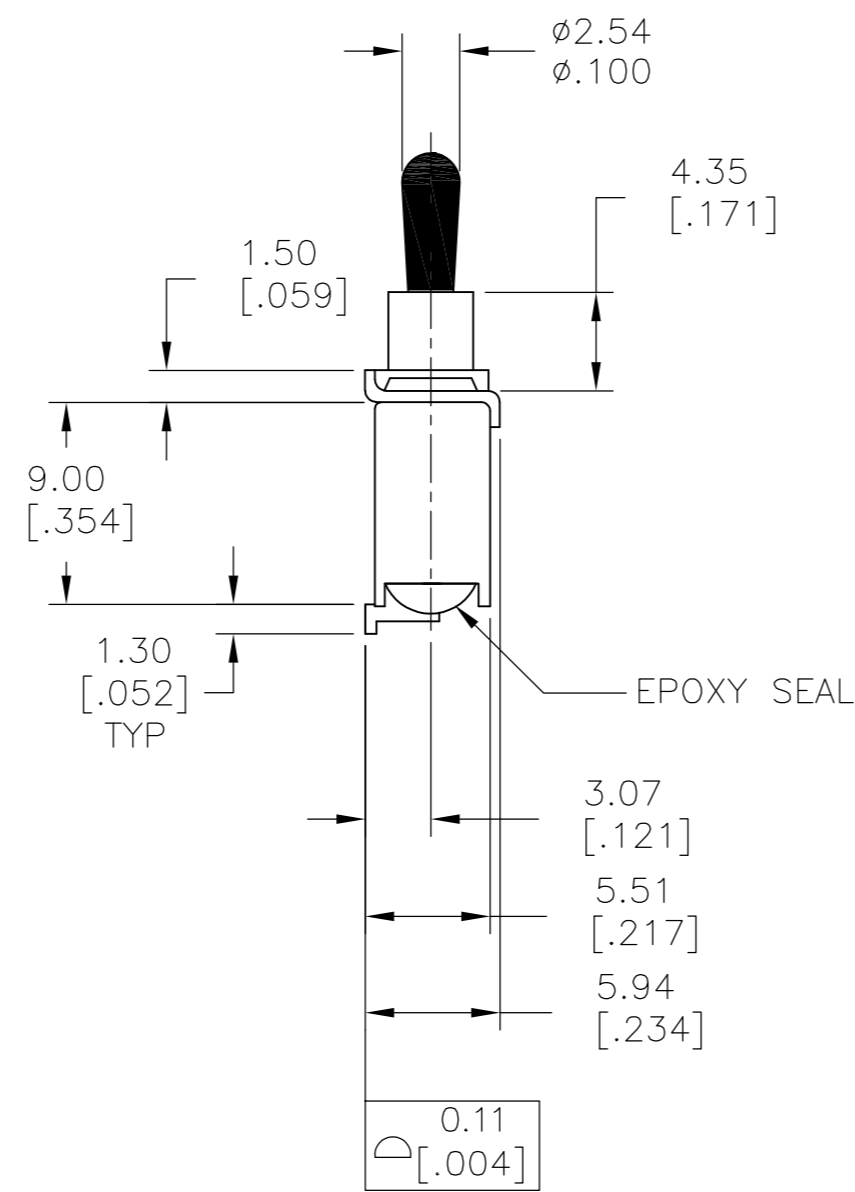
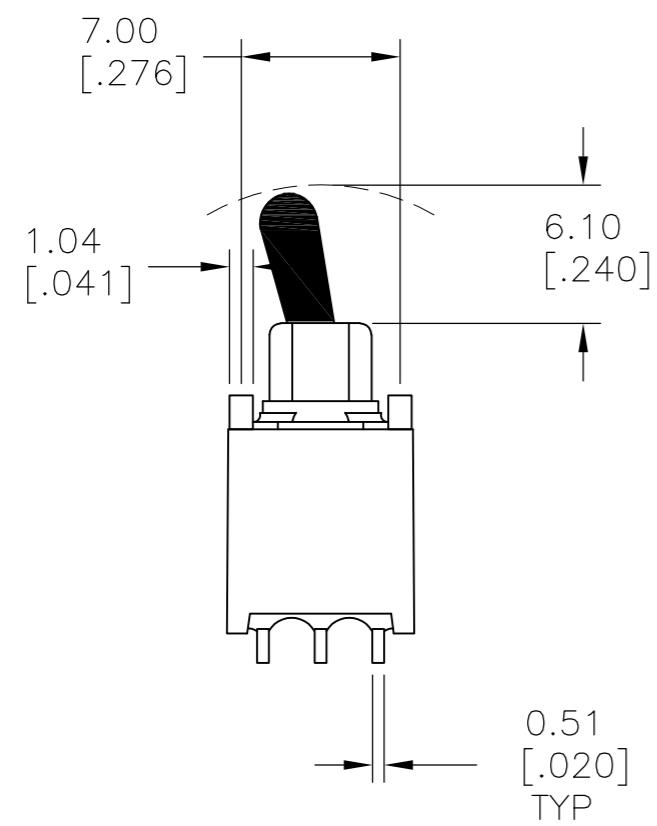


THIS DRAWING IS UNPUBLISHED. RELEASED FOR PUBLICATION  
 © COPYRIGHT - By - ALL RIGHTS RESERVED.

LOC	DIST	REVISIONS					
		P	LTR	DESCRIPTION	DATE	DWN	APVD
G	14	A1		REVISED PER ECO-15-006065	22APR2015	NK	RH

SPECIFICATIONS

MECHANICAL LIFE: 30,000 MAKE AND BREAK CYCLES.  
 CONTACT RESISTANCE: 20 mΩ MAX. INITIAL @ 2-4VDC  
 100mA FOR GOLD PLATED CONTACTS.  
 INSULATION RESISTANCE: 1,000MΩ MIN.  
 DIELECTRIC STRENGTH: 1,000V RMS MIN @SEA LEVEL.  
 OPERATING TEMPERATURE: -30°C TO 85°C.  
 CONTACT RATING: 0.4VA MAX @ 20V MAX (AC OR DC)



P.C. MOUNTING

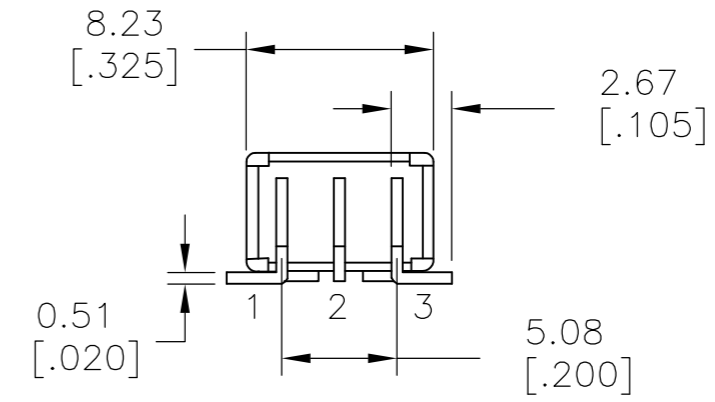
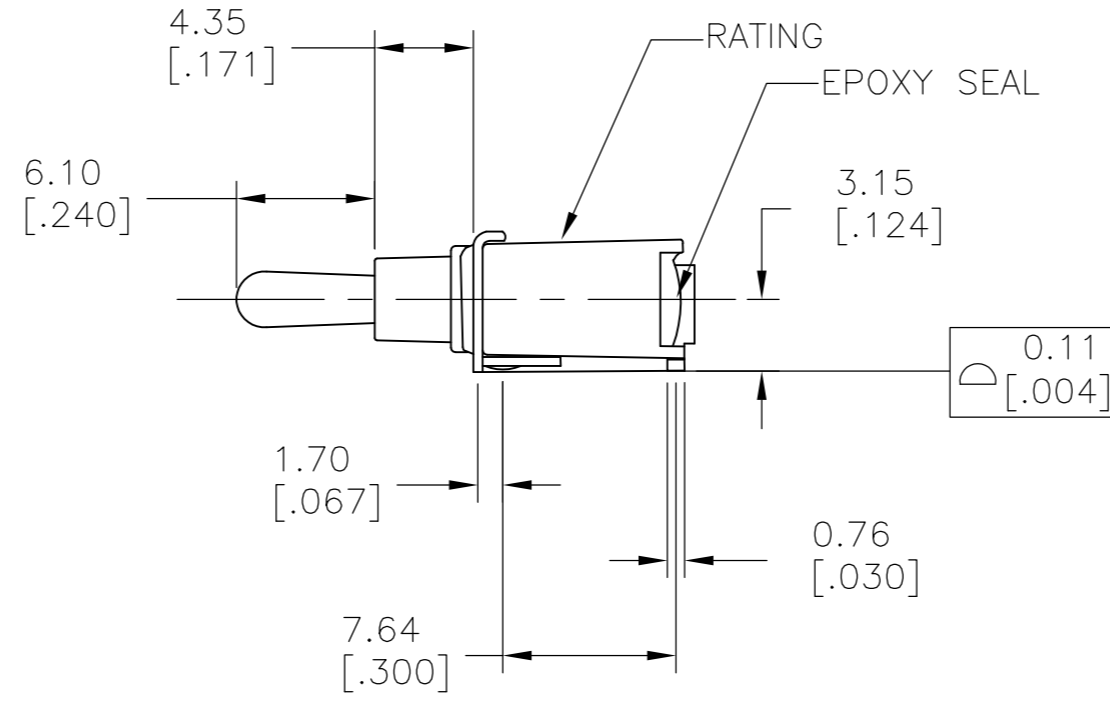
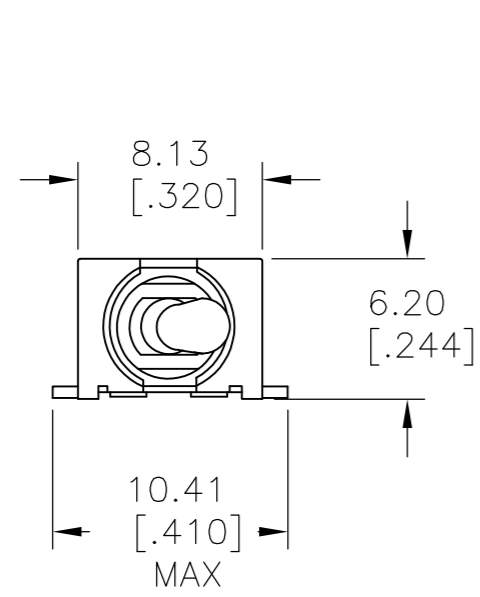
VERTICAL LAYOUT

VERTICAL, SMT	PLASTIC	2-1	2-3	(ON)-ON	2	1	TBS2TBA1MZRES	2267131-6
RIGHT ANGLE, SMT	BRASS	2-1	2-3	(ON)-ON	2	1	TBS2T2A1MTRES	2267131-5
VERTICAL, SMT	PLASTIC	2-1	2-3	ON-ON	2	1	TBS1TBA1MZRES	2267131-4
RIGHT ANGLE, SMT	PLASTIC	2-1	2-3	ON-ON	2	1	TBS1TBA1MTRES	2267131-3
VERTICAL, SMT	BRASS	2-1	2-3	ON-ON	2	1	TBS1T2A1MZRES	2267131-2
RIGHT ANGLE, SMT	BRASS	2-1	2-3	ON-ON	2	1	TBS1T2A1MTRES	2267131-1
TERMINATION	ACTUATOR	POS 2	POS 1	FUNCTION	THROWS	POLES	TE DESCRIPTIVE PART NUMBER	TE PART NUMBER

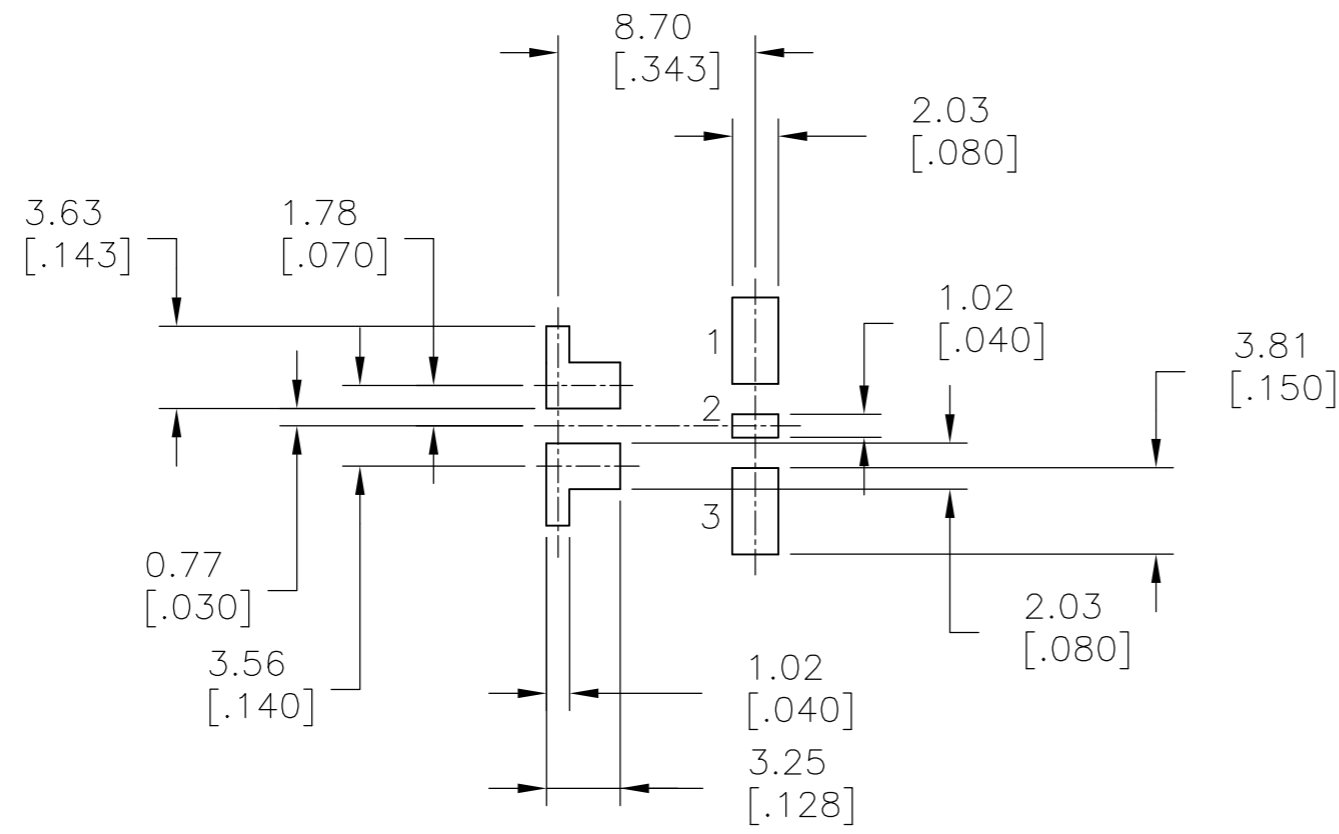
THIS DRAWING IS A CONTROLLED DOCUMENT.		DWN 20JUN2014 NAGALAKSHMI K	<b>TE</b> TE Connectivity	
DIMENSIONS: mm [INCHES]		CHK 20JUN2014 HILL RYAN		
TOLERANCES UNLESS OTHERWISE SPECIFIED:		APVD 20JUN2014 HILL RYAN	NAME SUBMINIATURE TOGGLE SWITCH, SEALED, SMT	
0 PLC ± -		PRODUCT SPEC		
1 PLC ± 0.40[.015]		APPLICATION SPEC	SIZE	CAGE CODE
2 PLC ± 0.25[.010]		WEIGHT	A2	-
3 PLC ± -		CUSTOMER DRAWING	SCALE	DRAWING NO
4 PLC ± -		SCALE	1:1	C=2267131
ANGLES ± 5°		SHEET	1 OF 2	REV
FINISH		REV	A1	

THIS DRAWING IS UNPUBLISHED. RELEASED FOR PUBLICATION  
 © COPYRIGHT - By - ALL RIGHTS RESERVED.

LOC	DIST	REVISIONS					
		P	LTR	DESCRIPTION	DATE	DWN	APVD
G	14	-	-	SEE SHEET 1	-	-	-



RIGHT ANGLE LAYOUT



P.C. MOUNTING

THIS DRAWING IS A CONTROLLED DOCUMENT.		DWN NAGALAKSHMI K 20JUN2014																				
DIMENSIONS: mm [INCHES]		CHK HILL RYAN 20JUN2014																				
TOLERANCES UNLESS OTHERWISE SPECIFIED:		APVD HILL RYAN 20JUN2014	NAME SUBMINIATURE TOGGLE SWITCH, SEALED, SMT																			
<table border="1"> <tr><td>0 PLC</td><td>±</td><td>-</td></tr> <tr><td>1 PLC</td><td>±</td><td>0.40[.015]</td></tr> <tr><td>2 PLC</td><td>±</td><td>0.25[.010]</td></tr> <tr><td>3 PLC</td><td>±</td><td>-</td></tr> <tr><td>4 PLC</td><td>±</td><td>-</td></tr> <tr><td>ANGLES</td><td>±</td><td>5°</td></tr> </table>		0 PLC	±	-	1 PLC	±	0.40[.015]	2 PLC	±	0.25[.010]	3 PLC	±	-	4 PLC	±	-	ANGLES	±	5°	PRODUCT SPEC -	SIZE A2	
0 PLC	±	-																				
1 PLC	±	0.40[.015]																				
2 PLC	±	0.25[.010]																				
3 PLC	±	-																				
4 PLC	±	-																				
ANGLES	±	5°																				
MATERIAL		FINISH	WEIGHT -	CAGE CODE -																		
			DRAWING NO C=2267131																			
			RESTRICTED TO -																			
		CUSTOMER DRAWING		SCALE 1:1																		
		SHEET 2 OF 2		REV A1																		

## X-ON Electronics

Largest Supplier of Electrical and Electronic Components

*Click to view similar products for [Toggle Switches](#) category:*

*Click to view products by [TE Connectivity](#) manufacturer:*

Other Similar products are found below :

[8A1-C-222](#) [60012L](#) [6006L](#) [6663](#) [7101MD9V30GE](#) [7101SPDV30BE](#) [7103SDV30BE](#) [7105D](#) [7108P3YAV2BE](#) [71YY50282](#)  
[7201MD9AVBE](#) [7301K38](#) [7306K36](#) [7310K36](#) [7314K36](#) [7506K4](#) [7660K12](#) [7691K14](#) [7700K1](#) [FA75A-CBL](#) [8396K108](#) [8824K14](#) [8828K13](#)  
[G2VX](#) [G3VX](#) [PS83-121G](#) [A101MD9AB04](#) [A101SD9AB04](#) [A101SDCQ04](#) [A103SD9AQ04](#) [A107TZB04](#) [A123P32YZQ](#) [A123S1YZG](#)  
[A127S1YCQ](#) [1-1825192-0](#) [A131S1YZQ](#) [A201SCWZB04](#) [A207SYCB04](#) [A208J61ZQ0004](#) [A221K12KAG](#) [A221S1YZQ](#) [A221T1TCQ](#)  
[A232K12KZQ](#) [A232M1YCQ](#) [A323S1CWZQ](#) [A423S1CWZG-M8](#) [A423S1YZQ](#) [12149A-3V](#) [12156AX408](#) [12147AGKX679](#)