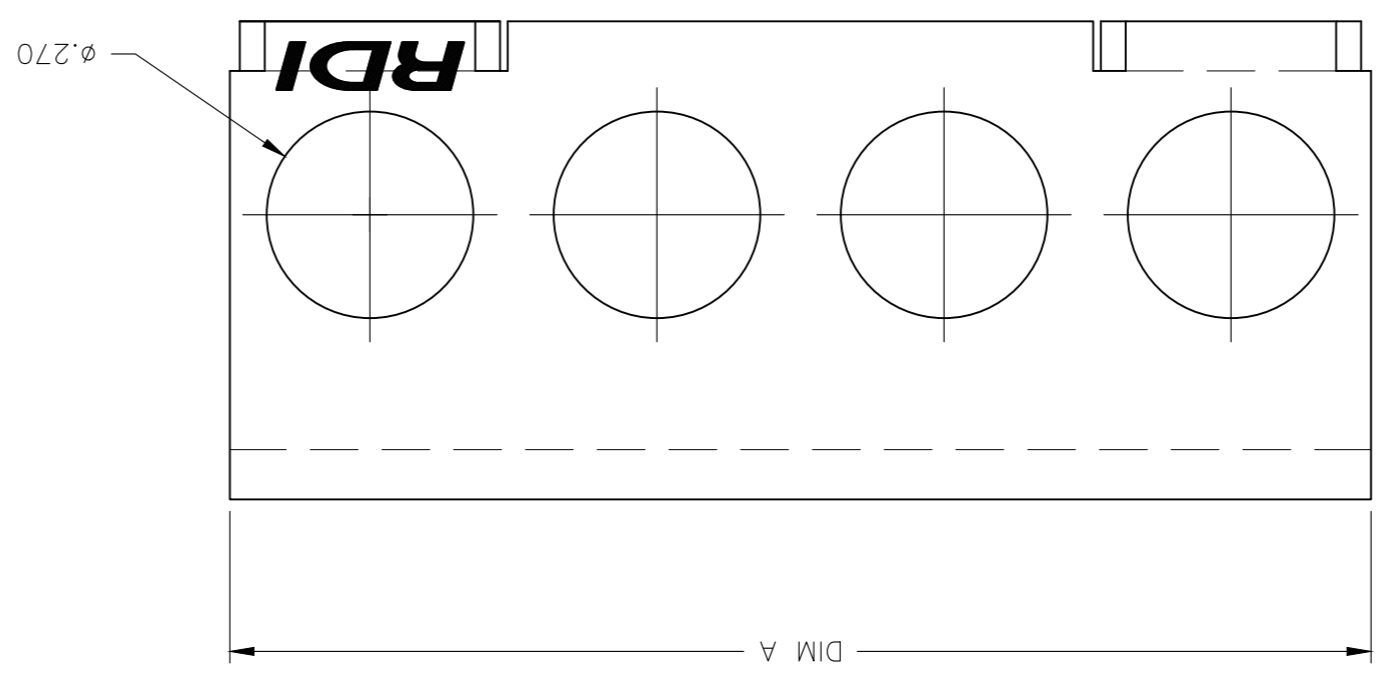
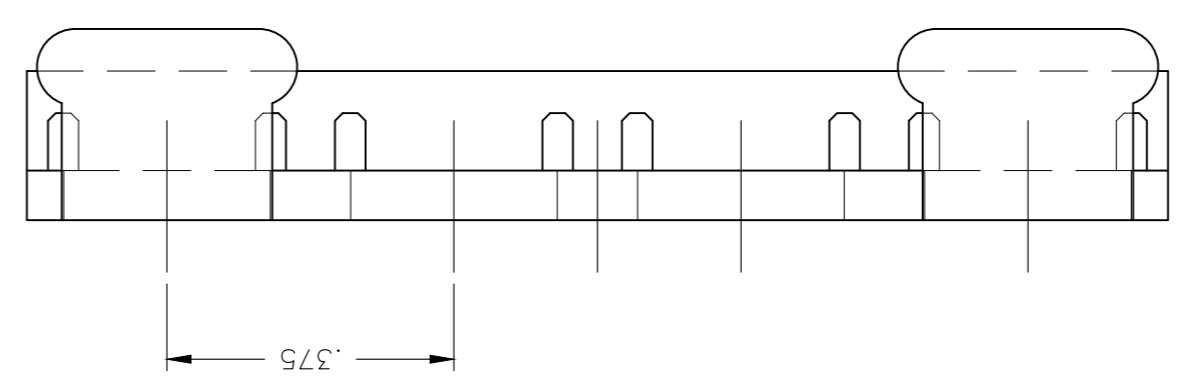
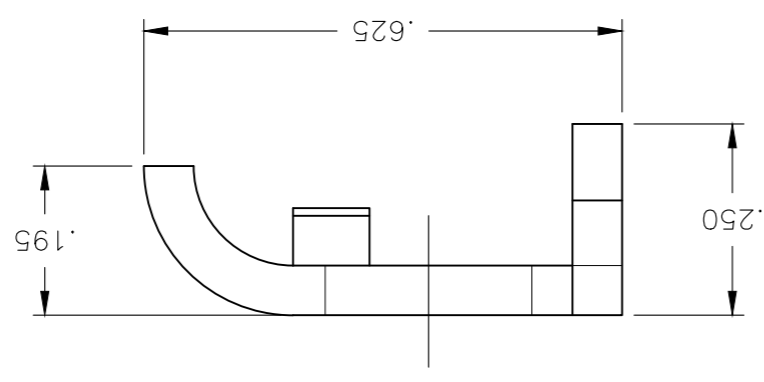


CUSTOMER DRAWING		SCALE 4:1		SHEET 1 of 1		REV D2	
WEIGHT		A2 00779		CAGE CODE		DRAWING NO. 2-1437661-7	
APPLICATIO SPEC		SIZE		RESTRICTED TO		-	
PRODUCT SPEC		NAME		TC6-XX-PFH TERMINAL BLOCK COVER		-	
S YODER		5/23/03		APVD		-	
S YODER		5/23/03		CHK		-	
S SCHLEGEL		23MAY03		DWN		-	

THIS DRAWING IS A CONTROLLED DOCUMENT.			
DIMENSIONS: INCHES			
TOLERANCES UNLESS OTHERWISE SPECIFIED:			
0 PLC	±		
1 PLC	±		
2 PLC	±		
3 PLC	±	.010	
4 PLC	±		
FINISH			
ANGLES			
MATERIAL			

DIM A	NO. OF POS.	CATALOG NUMBER	PART NUMBER
5.991	16	TC6-16-PFH	4-1437661-7
5.616	15	TC6-15-PFH	4-1437661-6
5.241	14	TC6-14-PFH	1-1776050-4
4.866	13	TC6-13-PFH	1-1776050-3
4.491	12	TC6-12-PFH	4-1437661-5
4.116	11	TC6-11-PFH	7-1437661-4
3.741	10	TC6-10-PFH	4-1437661-4
3.366	9	TC6-09-PFH	4-1437661-2
2.991	8	TC6-08-PFH	4-1437661-0
2.616	7	TC6-07-PFH	3-1437661-8
2.241	6	TC6-06-PFH	3-1437661-7
1.866	5	TC6-05-PFH	3-1437661-4
1.491	4	TC6-04-PFH	3-1437661-2
1.116	3	TC6-03-PFH	2-1437661-9
.741	2	TC6-02-PFH	2-1437661-7



NOTES:

- MATERIAL: POLYPHENYLENE OXIDE UL94V-0, BLACK.
- 2 POSITION HAS RDI LOGO OMITTED.
- FOR USE WITH 6 SERIES BARRIER STRIPS.

REVISIONS	P	LTR	DATE	DESCRIPTION
D2			25JAN2018	PART STATUS UPDATED
RK				
PS				

A

B

C

D

A

B

C

D

2-1437661-7

1 2 3 4

## X-ON Electronics

Largest Supplier of Electrical and Electronic Components

*Click to view similar products for te connectivity manufacturer:*

Other Similar products are found below :

[570416-000](#) [CLTEQ-M81CE-SSRELAY-4-20V](#) [4-1633138-8](#) [D38999/24FJ4AN](#) [4-1195131-0](#) [650069-000](#) [SMD100-2](#) [2EDL4CM](#)  
[DTS20W19-11PD-3028](#) [DTS20W19-11PD-3028-LC](#) [DTS20W19-32SD-3028-LC](#) [DTS20W19-32SD-3028](#) [NC6-P104-06](#) [TXR64AB90-](#)  
[3616AI](#) [DTS26F21-41HE](#) [DTS26F21-41AE](#) [DTS26F21-41PE-LC](#) [DTS26F21-11SE-3028-LC](#) [D38999/24WF32JE](#) [D38999/24WF32SE-LC](#)  
[DTS24W19-32HE](#) [5-2027513-8](#) [D38999/20JB35HA](#) [D38999/24WJ20PA](#) [164-8033-08](#) [D38999/24FF32JE](#) [D38999/24FF32SE-LC](#)  
[D38999/24WF32JB](#) [D38999/24WG11HA](#) [D38999/24WG11HN](#) [MS27467T21F11H](#) [DJT16E21-11HA](#) [DTS24F19-32HE](#) [1-532955-3](#)  
[DTS20W19-32SA-3028-LC](#) [DTS24F19-11SC-3028-LC](#) [DTS24F19-11SC-3028](#) [DJT14E13-98HB](#) [D38999/20WC8BB](#) [1-330599-5](#)  
[DTS24F21-41HN-LC](#) [DTS24F21-41HN](#) [DTS24F21-41AN](#) [DTS24F21-39HN](#) [DTS24F21-41PN-LC](#) [AFD50-10-6SN-1A-LC](#) [DBAS 70-7-0](#)  
[SN 090-1A SCC](#) [DJT10F17-26HC](#) [DTS24W19-32HB](#) [ACT20JE99HA](#)