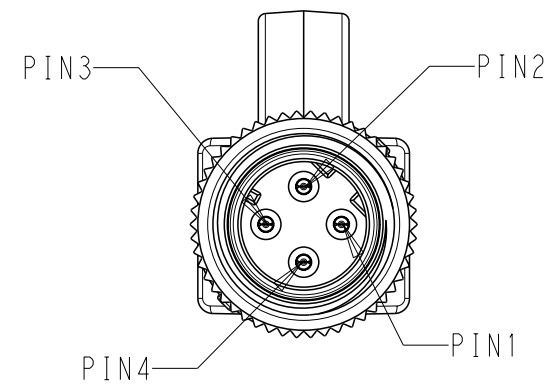
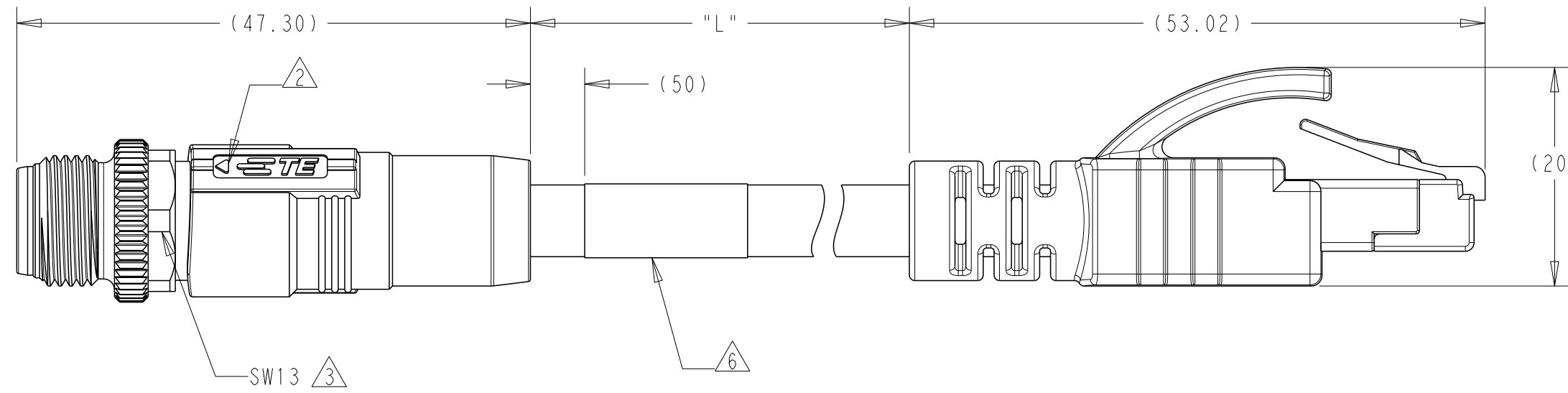


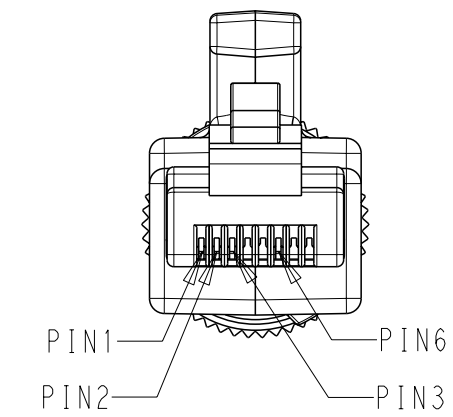
REVISIONS					
P	LTR	DESCRIPTION	DATE	DWN	APVD
A		INITIAL VERSION RELEASE	22SEP2020	F.Y	C.W
A1		PER ECR-21-001399	08FEB2021	F.Y	C.W



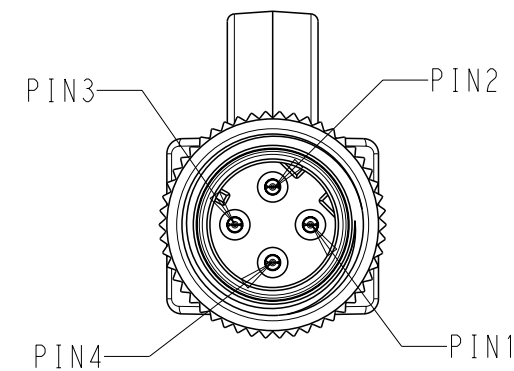
M12 D CODE, MALE PLUG



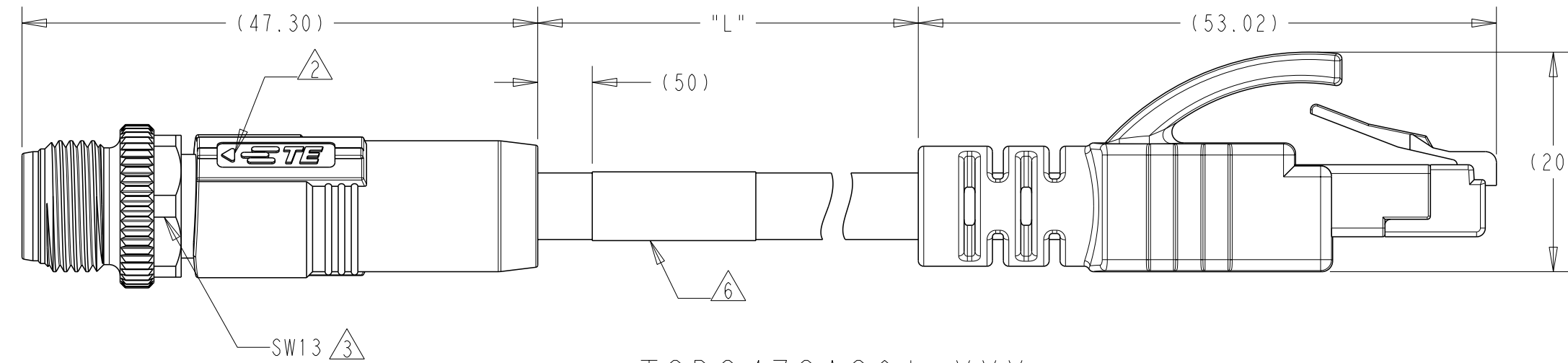
TCD1473A201-XXX



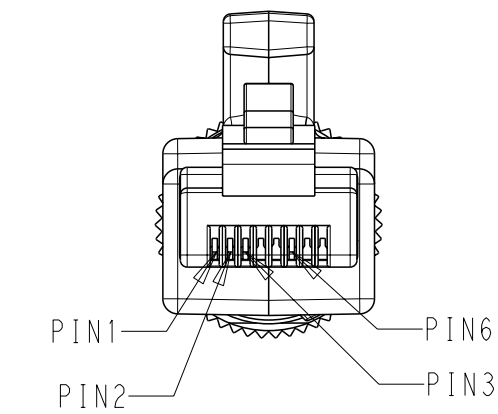
RJ45 PLUG



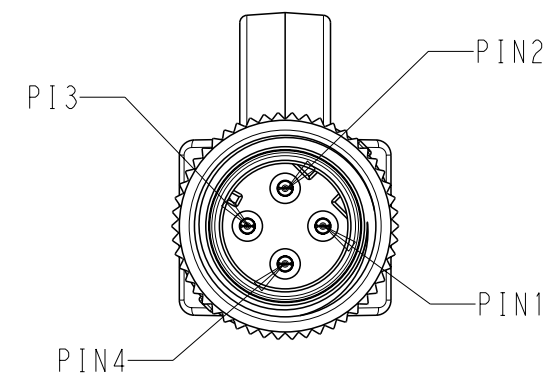
M12 D CODE, MALE PLUG



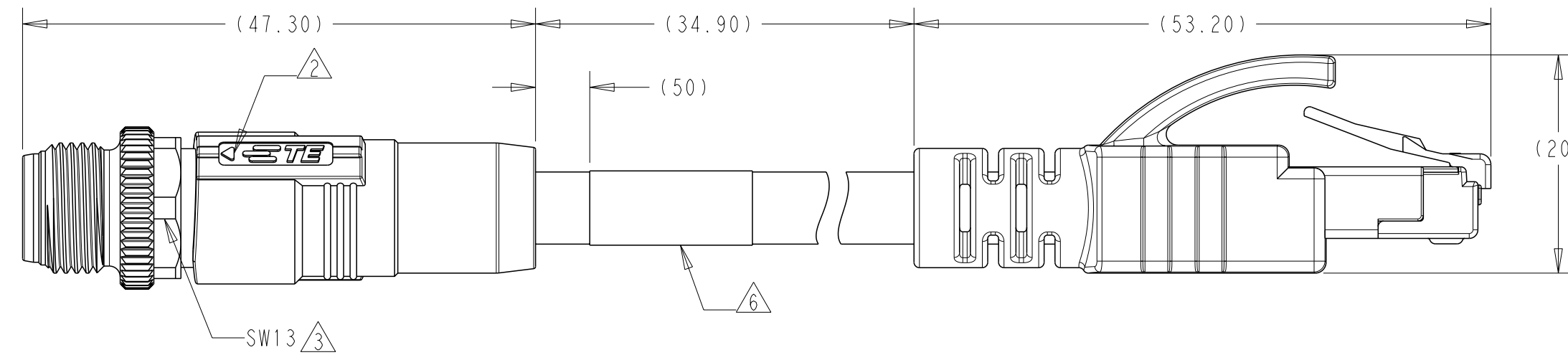
TCD2473A201-XXX



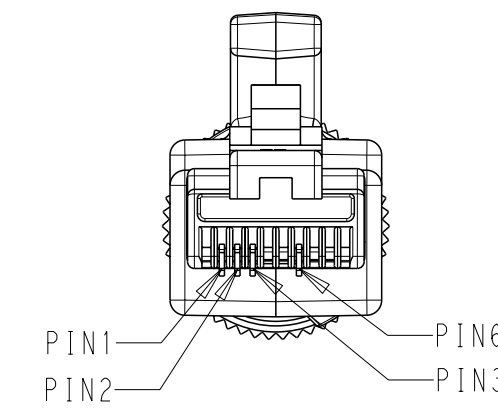
RJ45 PLUG



M12 D CODE, MALE PLUG



TCD14745101-XXX
TCD14741111-XXX



RJ45 PLUG

NOTE:

1. TECHNICAL DATA: SEE TABLE 1
 2. CODE POSITION INDICATOR.
 3. RECOMMENDED TORQUE 0.6NM
 4. -*: CABLE LENGTH, FOR EXAMPLE: -0.5M
 5. CABLE ASSEMBLY TO BE PACKAGED AS PACKAGING SPECIFICATION
6. LABEL CONTAINS: PN, DATE CODE...
7. -XXX: FOR CABLE LENGTH, SEE TABLE 2 AND REFER TO LENGTH "L"

注释:

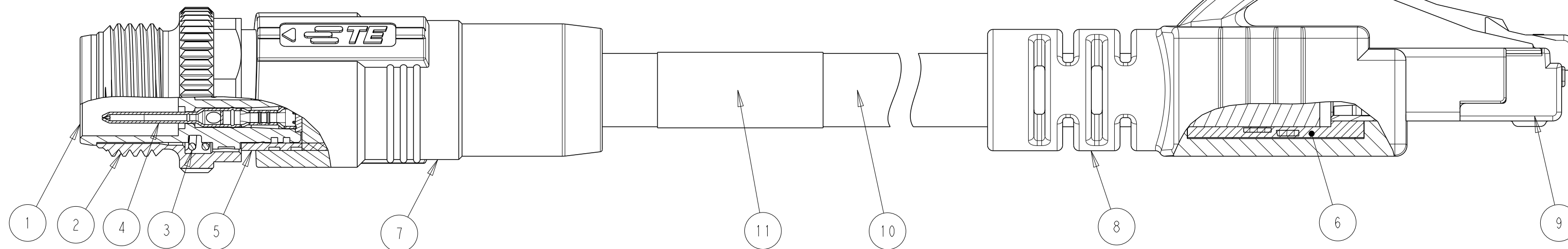
1. 技术参数: 参考表 1
2. CODE位置指示
3. 推荐扭力 0.6NM
4. -*: 线缆长度 例如: -0.5M
5. 线缆组件按照包装规范包装;
6. 标签包含: 产品编号, 日期代码...
7. -XXX: 线缆长度, 参考表2, 参照长度 "L".

THIS DRAWING IS A CONTROLLED DOCUMENT.		DWN FENCER YU 22SEP2020	TE Connectivity	
DIMENSIONS:		CHK CHRIS WANG 22SEP2020		
mm	TOLERANCES UNLESS OTHERWISE SPECIFIED:	APVD CHRIS WANG 22SEP2020	NAME M12 D CODE STRAIGHT PLUG 4P TO RJ45 STRAIGHT PLUG	
	0 PLC ±-	PRODUCT SPEC 108-137541	SIZE A2	CAGE CODE 00779
	1 PLC ±-	APPLICATION SPEC 114-137144	DRAWING NO C-TCDX47XXXX1XXX	RESTRICTED TO -
	2 PLC ±-	WEIGHT -	SCALE 2:1	SHEET 1 OF 3
	3 PLC ±-	CUSTOMER DRAWING	REV A1	
	4 PLC ±-			
	ANGLES ±-			
	FINISH -			

P	LTR	DESCRIPTION	DATE	DWN	APVD
		SEE SHEET 1			

CABLE CHARACTERISTIC	LENGTH "L"	TYPE	TABLE 2 TE PN
INDUSTRIAL ETHERNET CAT5E UNSHIELDED TPE CABLE, TEAL: WIRES: 2PRX24AWG WIRE COLOR: PAIR1-WHITE/ORANGE PAIR2-WHITE/GREEN OD: APPROX. 6.10MM TEMPERATURE RATING: 80°C UL OPERATING TEMP RATING: -40°C To +80°C	LENGTH STANDARD: -001: 0.5M -002: 1.0M -003: 1.5M -004: 3.0M -005: 5.0M -006: 7.0M -007: 10.0M	M12D4-MS-RJ-TPE-24UNSH-TEAL-**	TCD2473A201-XXX
INDUSTRIAL ETHERNET CAT5E SHIELDED TPE CABLE, TEAL: WIRES: 2PRX24AWG WIRE COLOR: PAIR1-WHITE/ORANGE PAIR2-WHITE/GREEN OD: APPROX. 6.60MM TEMPERATURE RATING: 80°C UL OPERATING TEMP RATING: -40°C To +80°C	CUSTOMIZATION: -99X: 0.XM (<1M) (-993: 0.3M) -XXX: XX.XM (>1M) (-155: 15.5M)	M12D4-MS-RJ-TPE-24SH-TEAL-**	TCD1473A201-XXX
INDUSTRIAL ETHERNET PROFINET TYPE B CAT5E SHIELDED PVC CABLE, GREEN: WIRES: 1X4X22AWG WIRE COLOR: WHITE/YELLOW/BLUE/ORANGE OD: APPROX. 6.5MM TEMPERATURE RATING: 80°C UL OPERATING TEMP RATING: -40°C To +80°C	TOLERANCE: 0-1M: ±0.05M 1-3M: ±0.1M >3M: ±1.5%	M12D4-MS-RJ-PVC-22SH-TYPE B GREEN-**	TCD14741111-XXX
INDUSTRIAL ETHERNET PROFINET TYPE C CAT5E SHIELDED PUR CABLE, GREEN: WIRES: 1X4X22AWG WIRE COLOR: WHITE/YELLOW/BLUE/ORANGE OD: APPROX. 6.65MM TEMPERATURE RATING: 80°C UL OPERATING TEMP RATING: -30°C To +70°C		M12D4-MS-RJ-PUR-22SH-TYPE C GREEN-**	TCD14745101-XXX

NOTES 备注	MATERIAL 材质	DESCRIPTION 描述	ITEM 序号	TCD14745101-XXX	TCD14741111-XXX	TCD1473A201-XXX	TCD2473A201-XXX
		LABEL	11	1	1	1	1
	PUR/PVC/TPE	CABLE	10	1	1	1	1
	GOLD PLATED	RJ45 PLUG	9	1	1	1	1
	BLACK	TPU/PVC	8	1	1	1	1
	BLACK	TPU/PVC	7	1	1	1	1
		INNER OVER MOLDING FOR RJ45 PLUG	6	1	1	1	1
	NICKEL PLATED	COPPER ALLOY	5	1	1	1	-
	GOLD PLATED	COPPER ALLOY	4	4	4	4	4
		SPRING	3	1	1	1	1
	NICKEL PLATED	COPPER ALLOY	2	1	1	1	1
	BLACK	NYLON	1	1	1	1	1



PIN ARRANGEMENT		
SHIELDED		UNSHIELDED
TCD14745101-XXX TCD14741111-XXX: USE PUR AND PVC SHIELDED CABLE	TCD1473A201-XXX USE TPE SHIELDED CABLE	TCD2473A201-XXX USE TPE UNSHIELDED CABLE
<p>CIRCUIT DIAGRAM</p> <p>M12 RJ45</p> <p>SHIELD</p>	<p>CIRCUIT DIAGRAM</p> <p>M12 RJ45</p> <p>SHIELD</p>	<p>CIRCUIT DIAGRAM</p> <p>M12 RJ45</p>

TABLE 1 TECHNICAL DATA	
RATED VOLTAGE	30V
RATED CURRENT	0.5A
POLLUTION DEGREE	3
OVERVOLTAGE CATEGORY	II
MATERIAL GROUP	II
INSULATION RESISTANCE	100MΩ
DEGREE OF PROTECTION(M12)	IP67
DEGREE OF PROTECTION(RJ45)	IP20
OPERATION TEMPERATURE	M12 D CODE: -40°C~85°C
	RJ45 PLUG: -25°C~60°C
	CABLE REFER TO TABLE 2

THIS DRAWING IS A CONTROLLED DOCUMENT.

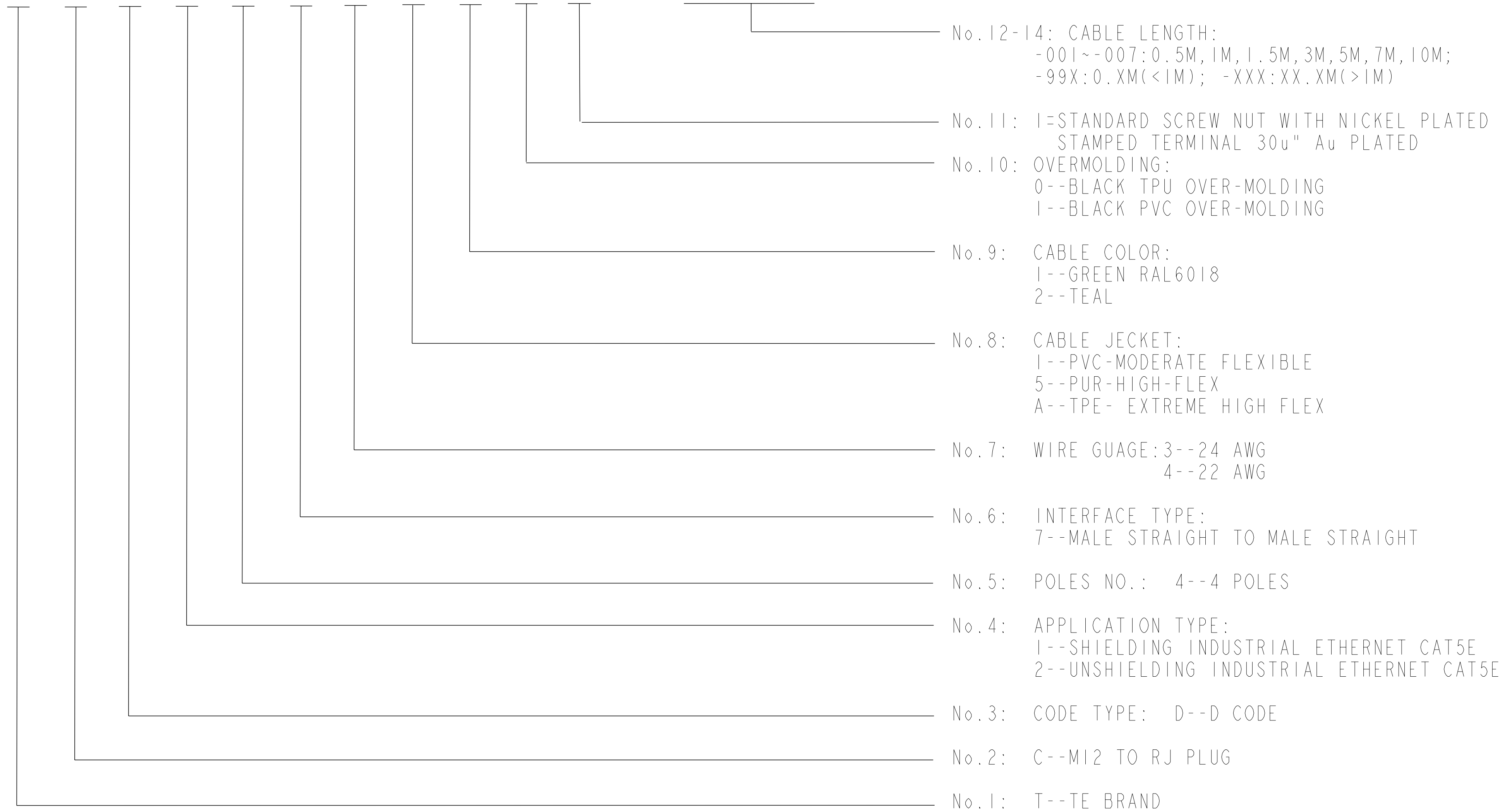
DIMENSIONS: mm	TOLERANCES UNLESS OTHERWISE SPECIFIED: 0 PLC ± 1 PLC ± 2 PLC ± 3 PLC ± 4 PLC ± ANGLES ± FINISH	DWN: FENCER YU 22SEP2020 CHK: CHRIS WANG 22SEP2020 APVD: CHRIS WANG 22SEP2020	TE Connectivity M12 D CODE STRAIGHT PLUG 4P TO RJ45 STRAIGHT PLUG
MATERIAL: -	PRODUCT SPEC: 108-137541 APPLICATION SPEC: 114-137144	NAME: M12 D CODE STRAIGHT PLUG 4P TO RJ45 STRAIGHT PLUG	
CUSTOMER DRAWING		SCALE: 2:1	RESTRICTED TO: -

SIZE: A2 CAGE CODE: 00779 DRAWING NO: TCDX47XXXX1XXX SHEET: 2 OF 3 REV: A1

P	LTR	DESCRIPTION	DATE	DWN	APVD
		SEE SHEET 1			

PRODUCT CODE:

T C D X X X X X X X - X X X



- No. 12-14: CABLE LENGTH:
 -001~-007: 0.5M, 1M, 1.5M, 3M, 5M, 7M, 10M;
 -99X: 0.XM(<1M); -XXX: XX.XM(>1M)
- No. 11: 1=STANDARD SCREW NUT WITH NICKEL PLATED STAMPED TERMINAL 30u" Au PLATED
- No. 10: OVERMOLDING:
 0--BLACK TPU OVER-MOLDING
 1--BLACK PVC OVER-MOLDING
- No. 9: CABLE COLOR:
 1--GREEN RAL6018
 2--TEAL
- No. 8: CABLE JACKET:
 1--PVC-MODERATE FLEXIBLE
 5--PUR-HIGH-FLEX
 A--TPE- EXTREME HIGH FLEX
- No. 7: WIRE GUAGE: 3--24 AWG
 4--22 AWG
- No. 6: INTERFACE TYPE:
 7--MALE STRAIGHT TO MALE STRAIGHT
- No. 5: POLES NO.: 4--4 POLES
- No. 4: APPLICATION TYPE:
 1--SHIELDING INDUSTRIAL ETHERNET CAT5E
 2--UNSHIELDING INDUSTRIAL ETHERNET CAT5E
- No. 3: CODE TYPE: D--D CODE
- No. 2: C--M12 TO RJ PLUG
- No. 1: T--TE BRAND

THIS DRAWING IS A CONTROLLED DOCUMENT.		DWN FENCER YU 22SEP2020	TE Connectivity	
DIMENSIONS: mm		CHK CHRIS WANG 22SEP2020		
TOLERANCES UNLESS OTHERWISE SPECIFIED:		APVD CHRIS WANG 22SEP2020	NAME M12 D CODE STRAIGHT PLUG 4P TO RJ45 STRAIGHT PLUG	
		PRODUCT SPEC 108-137541	RESTRICTED TO	
MATERIAL		APPLICATION SPEC 114-137144	SIZE A2	CAGE CODE 00779
		FINISH	DRAWING NO TCDX47XXXX1XXX	SCALE 2:1
			CUSTOMER DRAWING	SHEET 3 OF 3
				REV A1

X-ON Electronics

Largest Supplier of Electrical and Electronic Components

Click to view similar products for [Ethernet Cables / Networking Cables](#) category:

Click to view products by [TE Connectivity](#) manufacturer:

Other Similar products are found below :

[73-6670-7](#) [73-6680-15](#) [73-7797-25](#) [MCJB2-10P6Q7-120](#) [84909-0204](#) [1200700174](#) [1200860368](#) [E16A06002M030](#) [E200102-009-S1](#)
[AX105346-EW](#) [MT14-187L](#) [17-103530](#) [ERWPAB3002M005](#) [190-038045-01](#) [NK5EPC18RDY](#) [NK5EPC18VLY](#) [NK5EPC18YLY](#)
[NK5EPC1GRY](#) [NK5EPC4Y](#) [NK5EPC6YLY](#) [NK5EPC8BLY](#) [NK5EPC9YLY](#) [1969343-6](#) [C501100010](#) [C501106002](#) [C501106007](#)
[C501106015](#) [C501106025](#) [C601102010](#) [C601104010](#) [C601106007](#) [C601106015](#) [2142758-2](#) [2168427-2](#) [CAT1106007](#) [21949-1](#) [2J1866A](#)
[RJF SFTP 5E 0500](#) [AX100351](#) [MN14CEC/ST](#) [C501100015](#) [C501106004](#) [C501106010](#) [C5F1108007](#) [C601104004](#) [C601106004](#)
[CA21106004](#) [CA21106010](#) [CA21106015](#) [CA21109007](#)