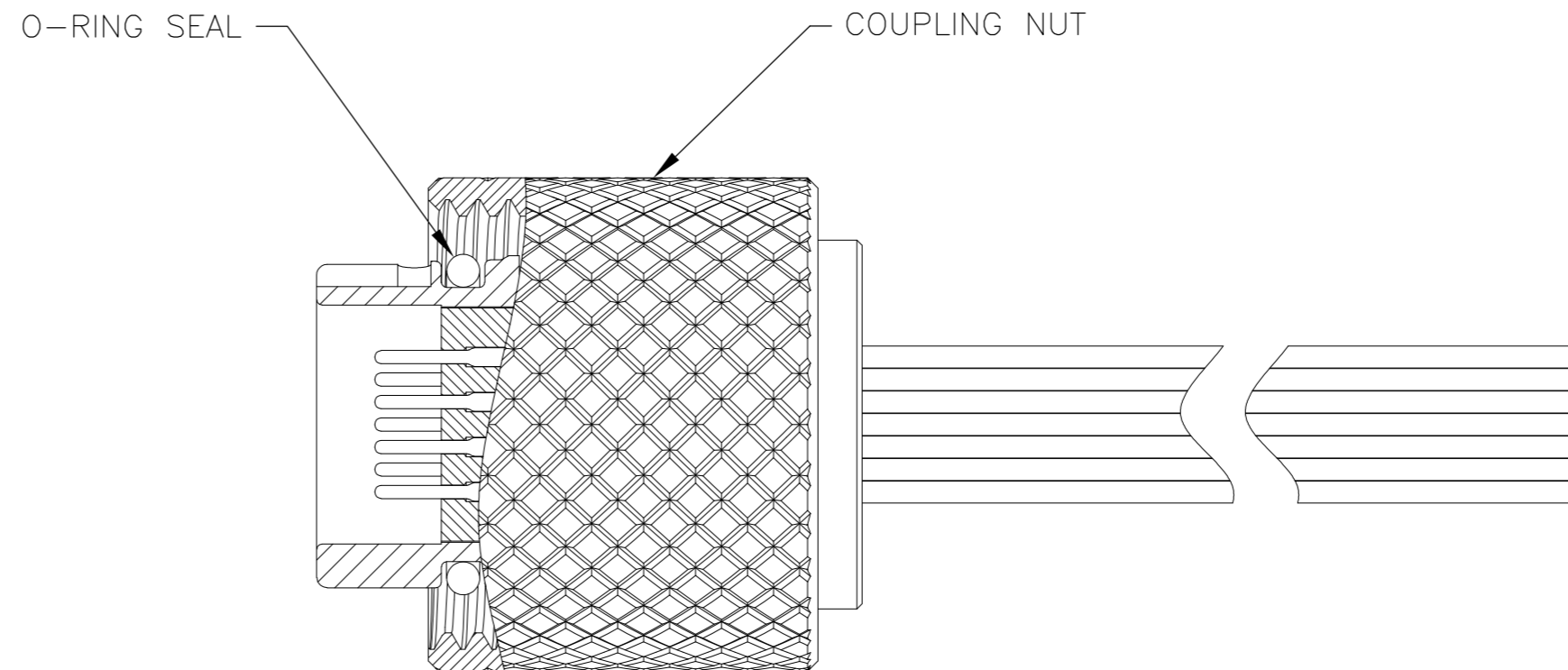
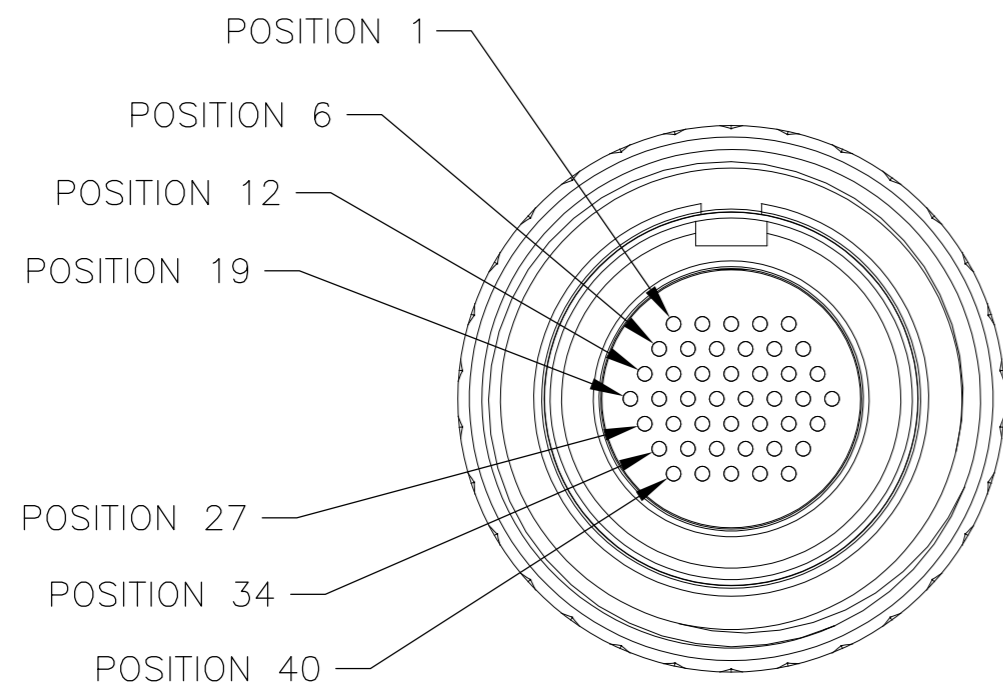
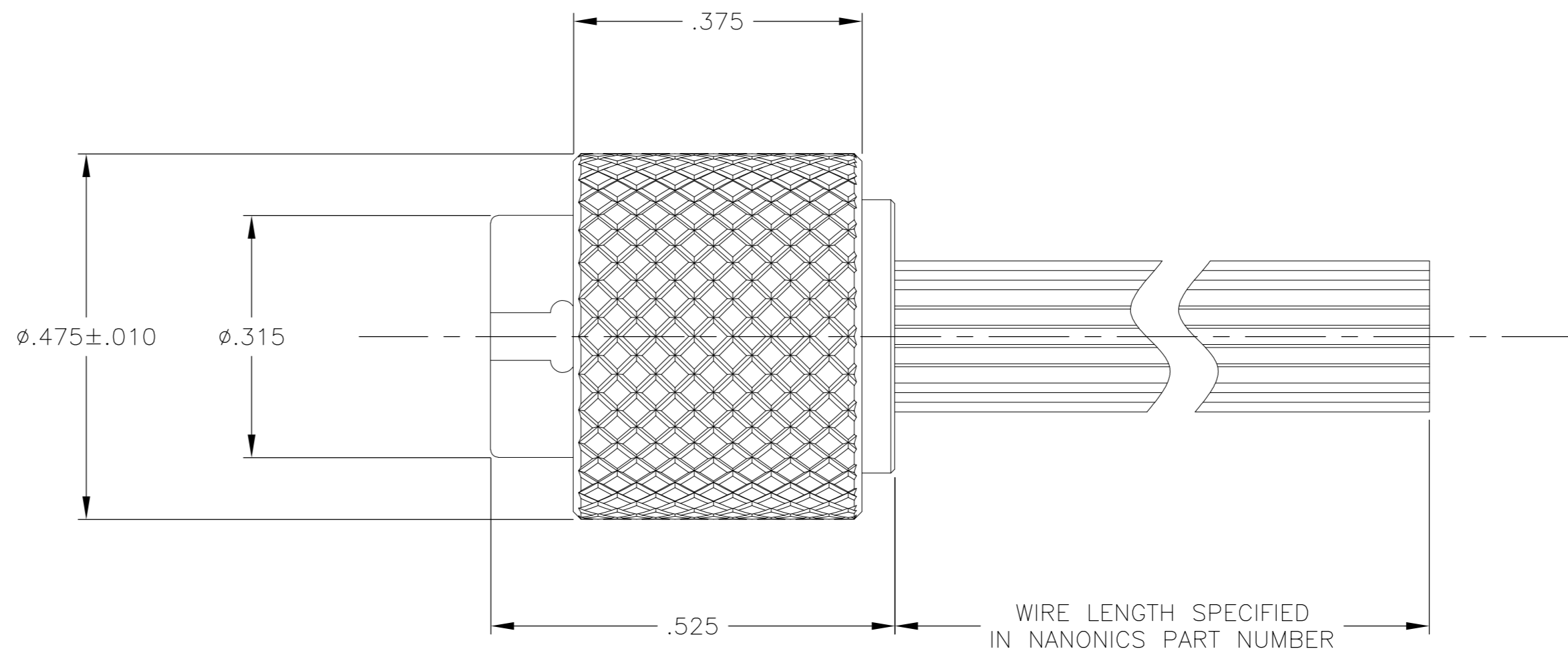
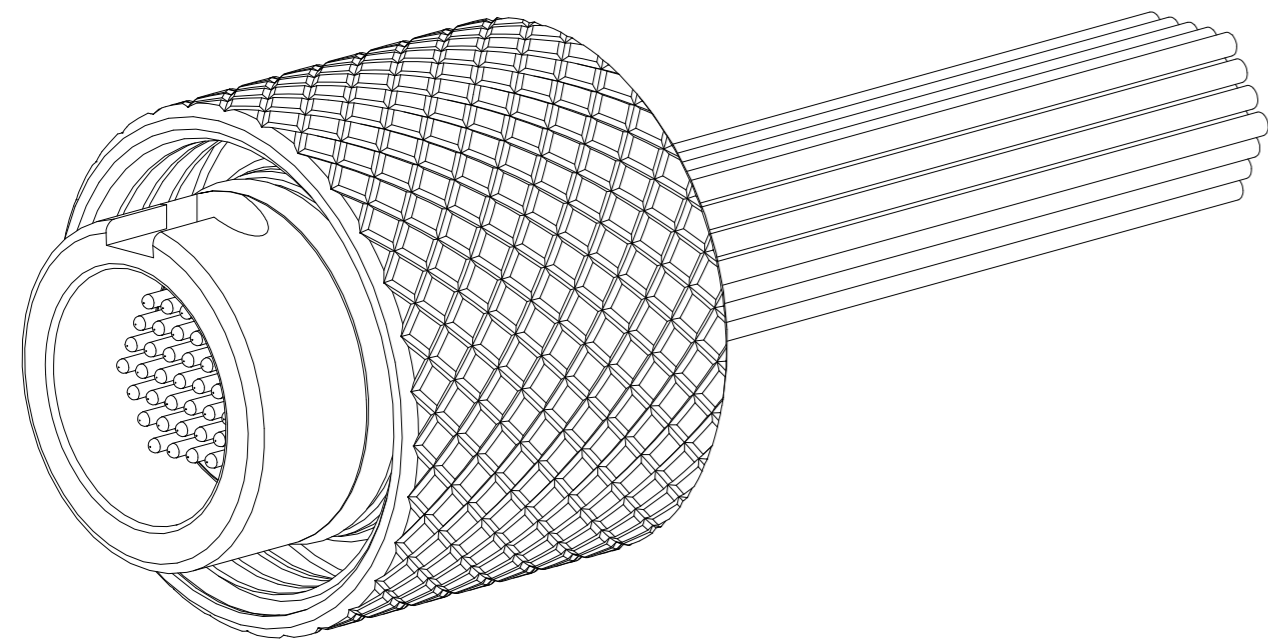


THIS DRAWING IS UNPUBLISHED. RELEASED FOR PUBLICATION  
 © COPYRIGHT - By - ALL RIGHTS RESERVED.

LOC		DIST		REVISIONS			
P	LTR	DESCRIPTION	DATE	DWN	APVD		
	H	UPDATE PER ECO-11-013056	23 JUN 11	CAS	MKS		



- 1 CONNECTOR BODY AND COUPLING NUT MATERIAL: 6061-T6 ALUMINUM, ELECTROLESS NICKEL PLATED PER SAE-AMS-C-26074 OR SAE-AMS-2404E  
 LOCKING RING MATERIAL: BERYLLIUM COPPER, ELECTROLESS NICKEL PLATED PER SAE-AMS-C-26074 OR SAE-AMS-2404E  
 INSULATOR MATERIAL: LIQUID CRYSTAL POLYMER (LCP) PER ASTM D5138 OR POLYPHENYLENE SULFIDE (PPS) PER ASTM D4067  
 O-RING MATERIAL: FLUOROSILICONE

- 2 WIRE TERMINATION: 28 AWG SOLID, 30 AWG STRANDED WIRE OR SMALLER
- 3 LUBRICATE O-RING WITH PARKER SUPER-O-LUBE PRIOR TO INSTALLATION
- 4 THIS DRAWING ALSO IDENTIFIED AS NANONICS 303-0034

THIS DRAWING IS A CONTROLLED DOCUMENT.		DWN M. STORRY 20 MAY 99												
DIMENSIONS: INCHES		CHK E. PAULUS 11 JUN 99												
TOLERANCES UNLESS OTHERWISE SPECIFIED:		APVD S. KAIN 27 JAN 00												
<table border="1"> <tr><td>0 PLC</td><td>± -</td></tr> <tr><td>1 PLC</td><td>± -</td></tr> <tr><td>2 PLC</td><td>± .010</td></tr> <tr><td>3 PLC</td><td>± .005</td></tr> <tr><td>4 PLC</td><td>± -</td></tr> <tr><td>ANGLES</td><td>± 1°</td></tr> </table>		0 PLC			± -	1 PLC	± -	2 PLC	± .010	3 PLC	± .005	4 PLC	± -	ANGLES
0 PLC	± -													
1 PLC	± -													
2 PLC	± .010													
3 PLC	± .005													
4 PLC	± -													
ANGLES	± 1°													
MATERIAL SEE NOTES	FINISH SEE NOTES	PRODUCT SPEC APPLICATION SPEC WEIGHT -	SIZE A2	CAGE CODE 0PJN9	DRAWING NO C-1589065	RESTRICTED TO -								
CUSTOMER DRAWING		SCALE 6:1	SHEET 1 OF 1	REV H										

## X-ON Electronics

Largest Supplier of Electrical and Electronic Components

*Click to view similar products for [Circular Push Pull Connectors](#) category:*

*Click to view products by [TE Connectivity](#) manufacturer:*

Other Similar products are found below :

[FEA.1B.308.CYCD72Z](#) [6408-201V-13273](#) [D38999/20ZC8JA](#) [D38999/20ZH21SA](#) [D38999/20ZH53SA](#) [D38999/20ZJ24SA](#)  
[D38999/20ZJ29PA-LC](#) [D38999/20ZJ43HA](#) [D38999/20ZJ43PA-LC](#) [D38999/24ZC35BA](#) [D38999/24ZC4AA](#) [D38999/24ZC4SA-LC](#)  
[D38999/24ZC8SA](#) [D38999/24ZC8SA-LC](#) [D38999/24ZC98BA](#) [D38999/24ZC98PA-LC](#) [D38999/24ZC98SA](#) [D38999/24ZC98SA-LC](#)  
[D38999/24ZF11SA-LC](#) [D38999/24ZF32BA](#) [D38999/24ZF32PA-LC](#) [D38999/24ZF32SA-LC](#) [D38999/24ZF35BA](#) [D38999/24ZF35SA-LC](#)  
[EXG.00.250.NTNY](#) [FFA.1S.302.CLAZ](#) [FFA.2E.306.CLAC70Z](#) [FFG.1B.302.CYCD62](#) [FFG.1B.304.CLAD42Z](#) [FGA.1B.302.CYCD62Z](#)  
[FGA.1B.304.CLAD62Z](#) [FGA.1B.305.CLAD76](#) [FGA.1B.307.CYCD72Z](#) [FGA.1B.308.CYCD42Z](#) [FGA.1B.310.CLAD42](#)  
[FGA.1B.316.CLAD42](#) [FGA.1B.316.CLAD62Z](#) [FGA.1B.316.CLAD76](#) [FGB.0B.307.CYCD31Z](#) [FGE.1B.310.CLAD76](#)  
[FGG.3P.306.PLWD75G](#) [FGJ.1B.306.CWLD62Z](#) [FPG.1B.307.CYCD52](#) [PCS.01.250.DLLE24](#) [FVG.0W.305.CLAC50](#) [PFC.1B.306.CLLD72](#)  
[PHG.0K.303.CYMC40Z](#) [PHG.0K.305.CYMC40Z](#) [PHG.1B.306.CYMD76](#) [PHG.2B.310.CYMD92](#)