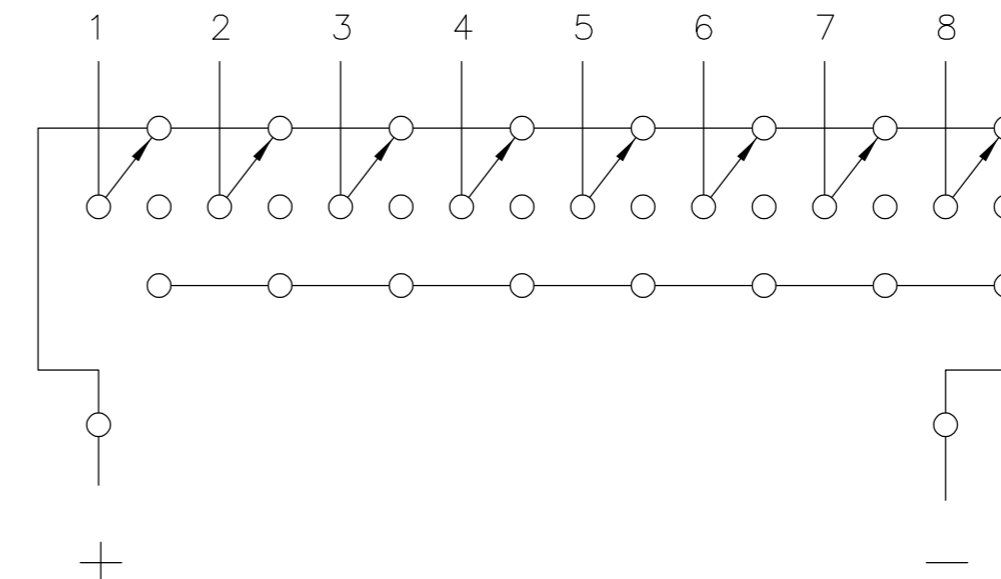
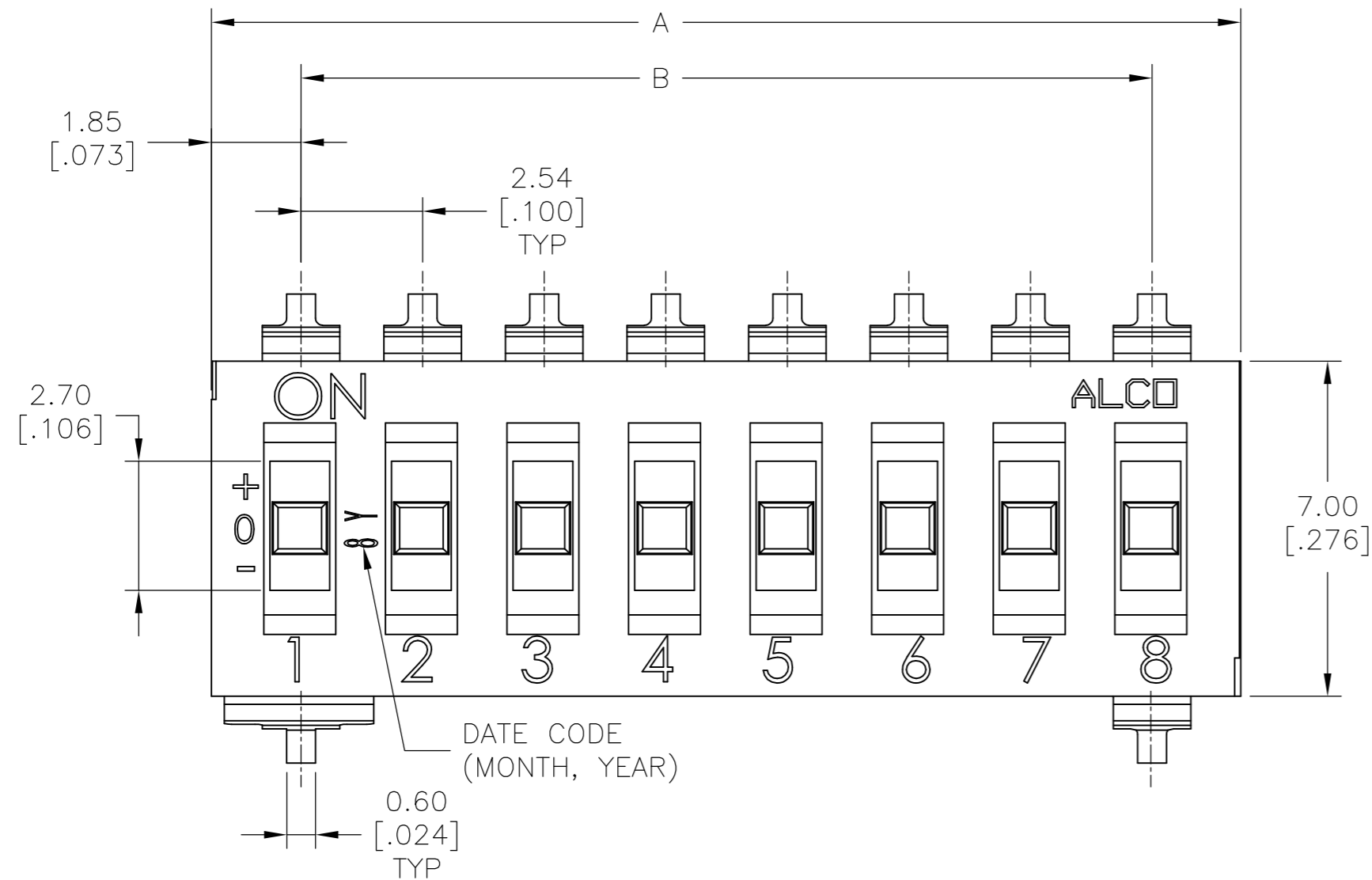


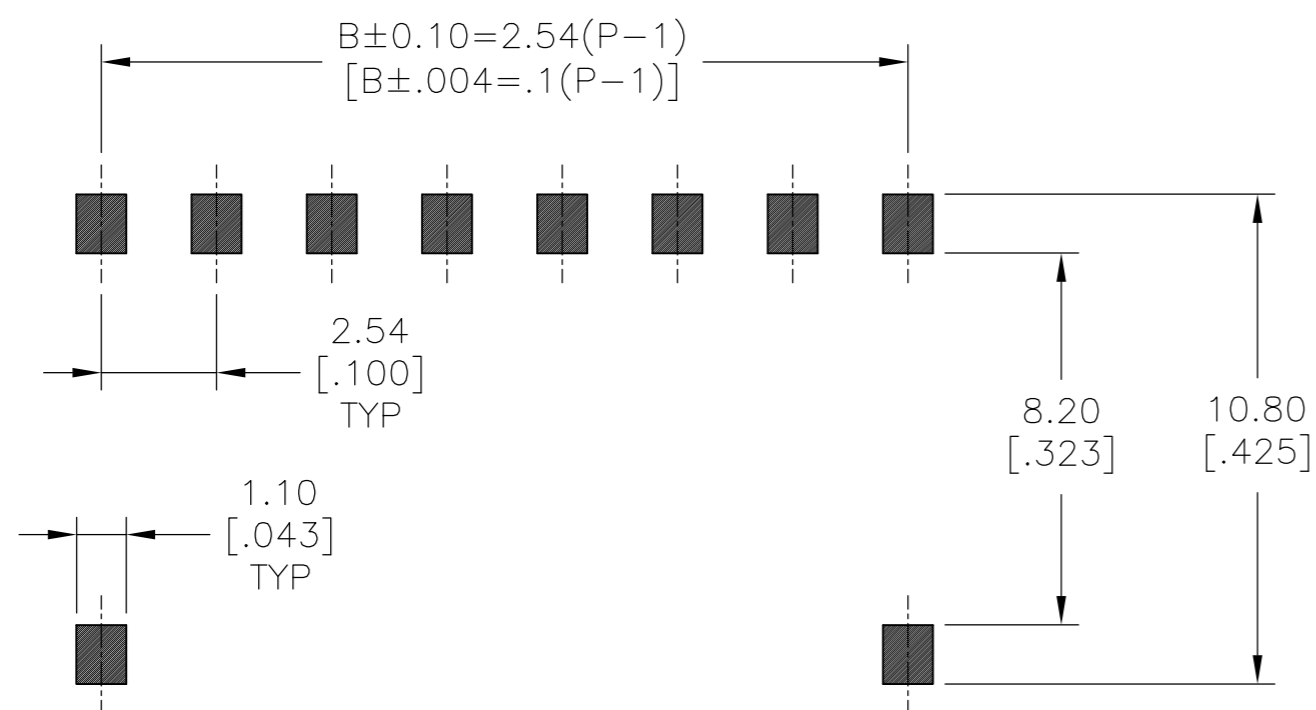
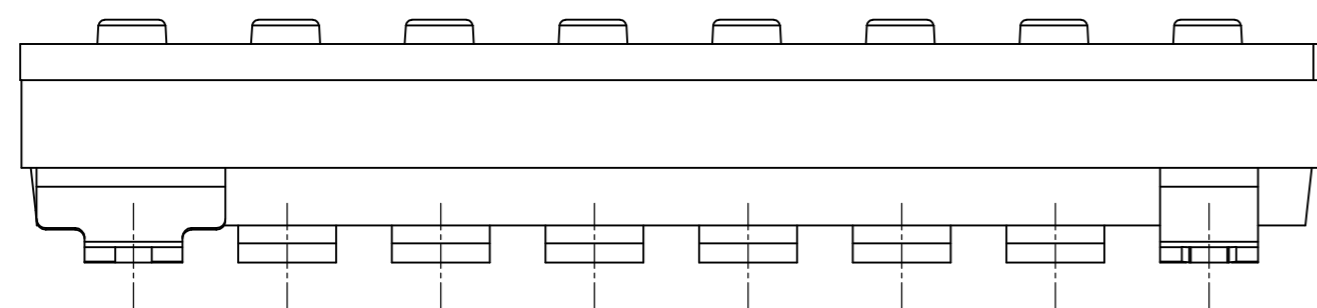
THIS DRAWING IS UNPUBLISHED. RELEASED FOR PUBLICATION
 © COPYRIGHT - TE Connectivity ALL RIGHTS RESERVED.

RECESSED ACTUATOR

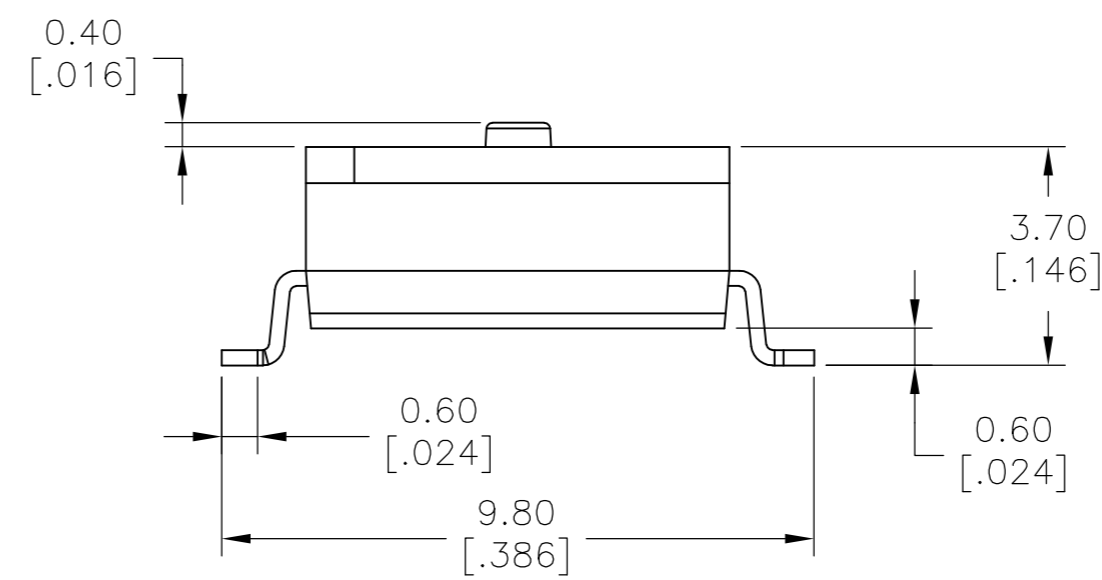
REVISIONS					
P	LTR	DESCRIPTION	DATE	DWN	APVD
A		INITIAL RELEASE	29MAY2017	SK	AS



CIRCUIT DIAGRAM



P.C.B. LAYOUT



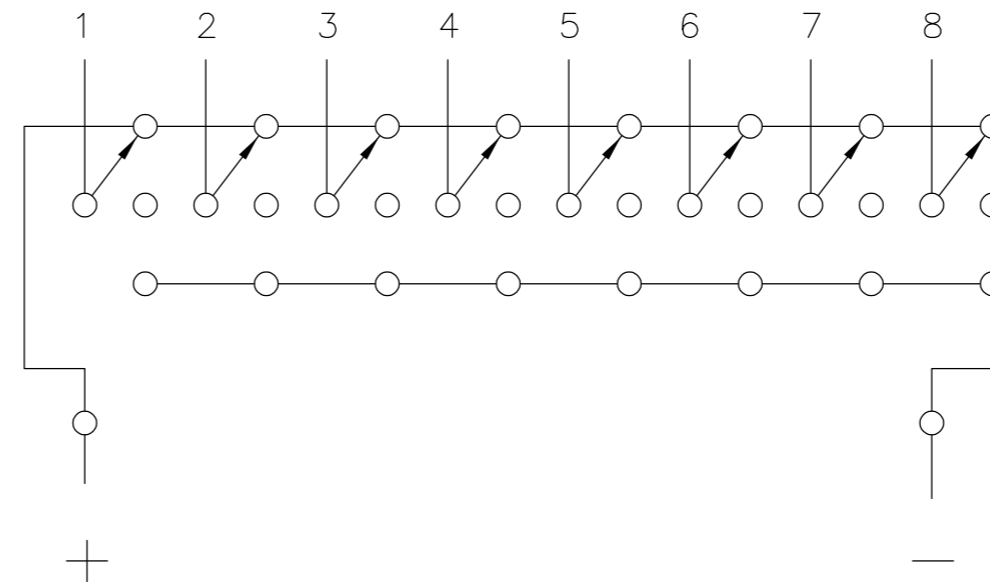
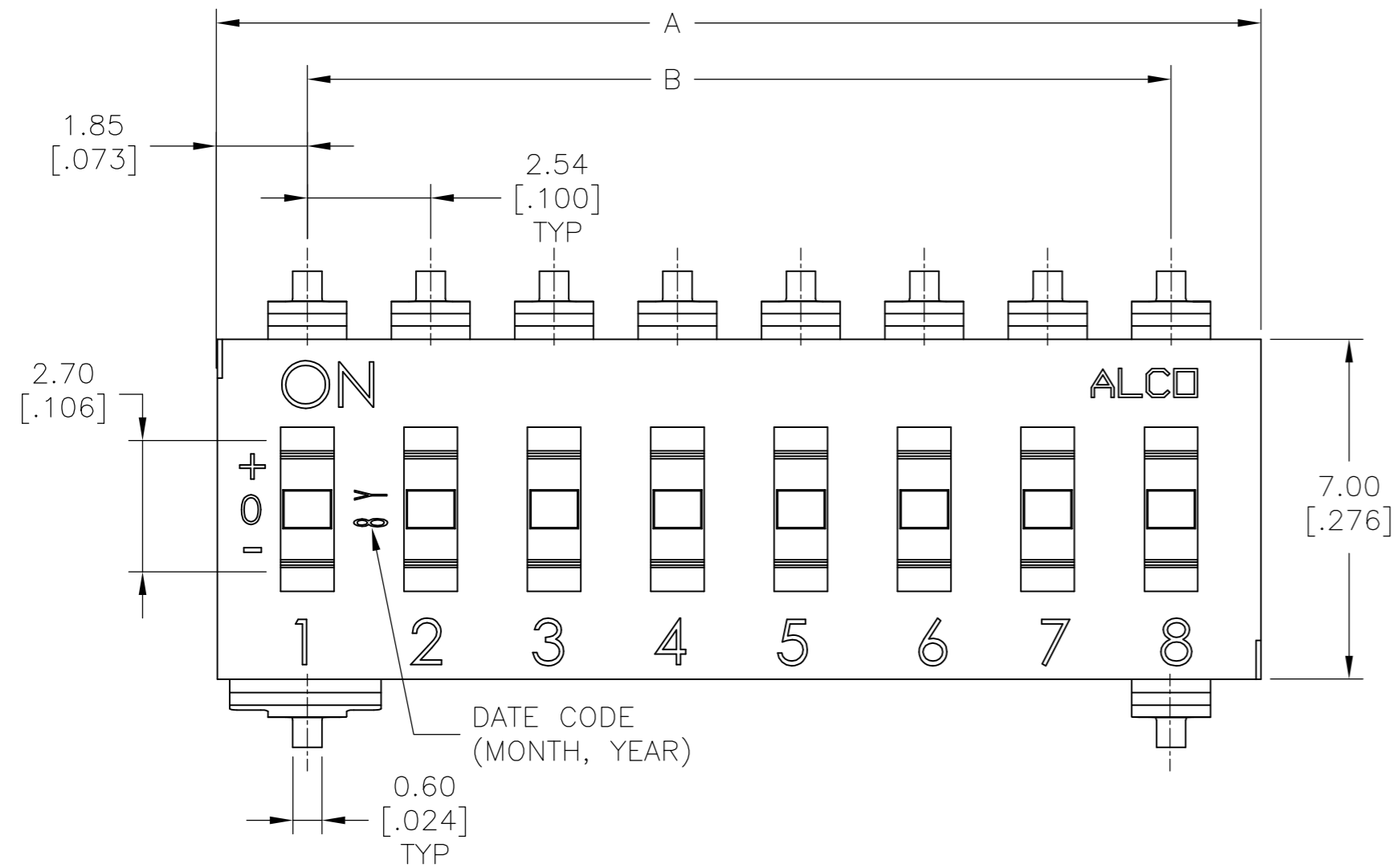
TDS SG 04
 POSITIONS: 04,05,08,09,10
 SMT: GULL WING
 ACTUATOR: N=RAISED, R=RECESSED
 ROHS COMPLIANT
 PACKAGING: TU=TUBE, TR=TAPE AND REEL
 SEAL: N=NONE, S=TOP SEAL

THIS DRAWING IS A CONTROLLED DOCUMENT.		DWN: SHIVAKUMAR S S CHK: ALEXANDER SHARPE APVD: ALEXANDER SHARPE	TE Connectivity		
DIMENSIONS: mm[INCHES]		TOLERANCES UNLESS OTHERWISE SPECIFIED:	NAME: TRI-STATE DIP SWITCHES		
0 PLC ± - 1 PLC ± - 2 PLC ± 0.20[.008] 3 PLC ± - 4 PLC ± - ANGLES ± -		FINISH	SIZE: A2	CAGE CODE: 00779	DRAWING NO: C=2319747
MATERIAL		WEIGHT	RESTRICTED TO		
		CUSTOMER DRAWING	SCALE: 8:1	SHEET: 1 of 4	REV: A

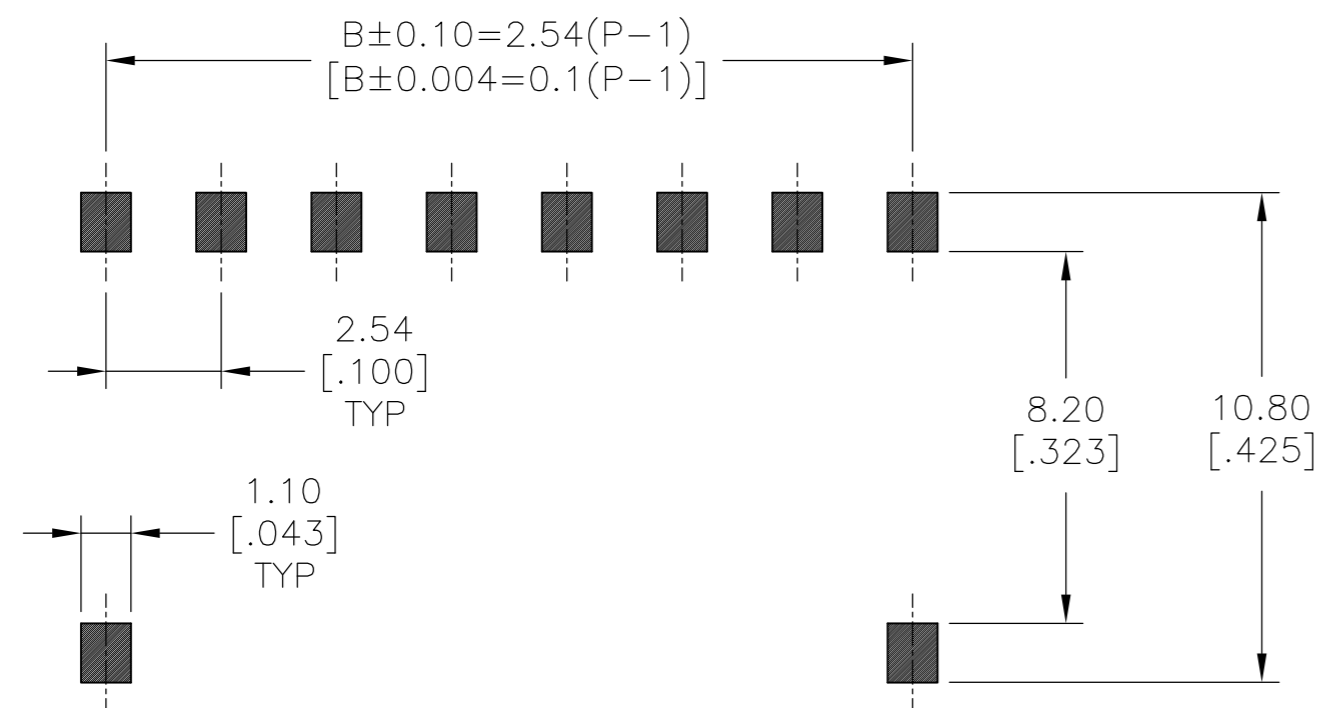
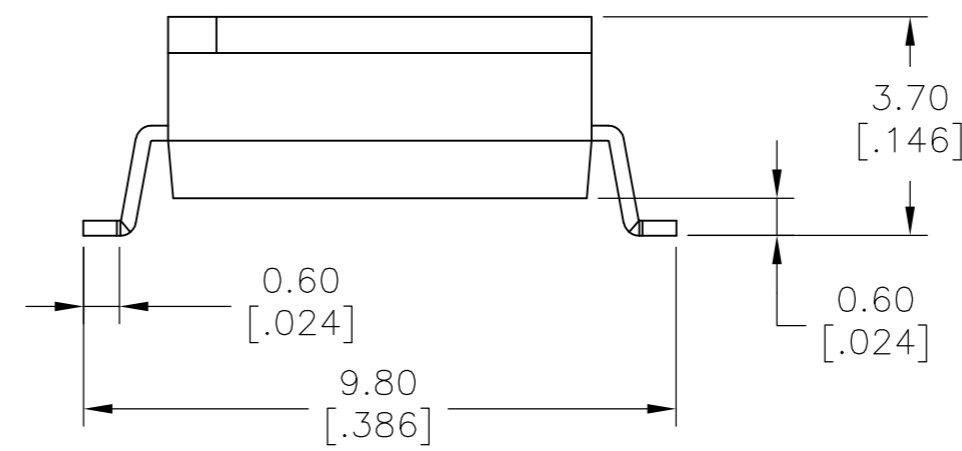
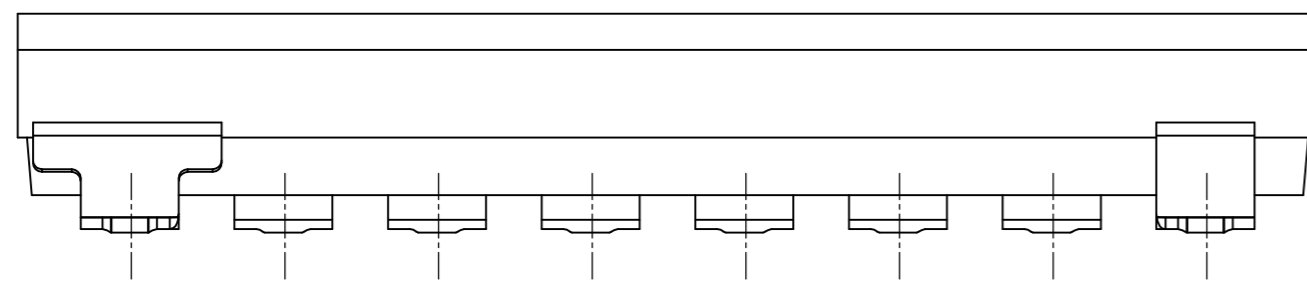
THIS DRAWING IS UNPUBLISHED. RELEASED FOR PUBLICATION
 © COPYRIGHT - TE Connectivity ALL RIGHTS RESERVED.

REVISIONS					
P	LTR	DESCRIPTION	DATE	DWN	APVD
-	-	SEE SHEET 1	-	-	-

RECESSED ACTUATOR



CIRCUIT DIAGRAM



P.C.B. LAYOUT

THIS DRAWING IS A CONTROLLED DOCUMENT.		DWN SHIVAKUMAR S S 29MAY2017		
DIMENSIONS: mm[INCHES]		CHK ALEXANDER SHARPE 29MAY2017		
TOLERANCES UNLESS OTHERWISE SPECIFIED:		APVD ALEXANDER SHARPE 29MAY2017	NAME TRI-STATE DIP SWITCHES	
0 PLC ± - 1 PLC ± - 2 PLC ± 0.20[.008] 3 PLC ± - 4 PLC ± - ANGLES ± -		PRODUCT SPEC -	SIZE A2	CAGE CODE 00779
MATERIAL -		FINISH -	DRAWING NO C=2319747	RESTRICTED TO -
CUSTOMER DRAWING			SCALE 8:1	SHEET 2 of 4
			REV A	

THIS DRAWING IS UNPUBLISHED. RELEASED FOR PUBLICATION
 © COPYRIGHT - TE Connectivity ALL RIGHTS RESERVED.

REVISIONS					
P	LTR	DESCRIPTION	DATE	DWN	APVD
-	-	SEE SHEET 1	-	-	-

TOP TAPE SEAL	ACTUATOR	NOTE	B	A	No OF POSITION	TE DESCRIPTIVE PART NUMBER	TE PART NUMBER
			DIM				
YES	RECESSED	3	22.86 [.900]	26.56 [1.046]	10	TDS10SGRSTR04	3-2319747-0
			20.32 [.800]	24.02 [.946]	9	TDS09SGRSTR04	2-2319747-9
			17.78 [.700]	21.48 [.846]	8	TDS08SGRSTR04	2-2319747-8
			10.16 [.400]	13.86 [.546]	5	TDS05SGRSTR04	2-2319747-7
			7.62 [.300]	11.32 [.446]	4	TDS04SGRSTR04	2-2319747-6
			22.86 [.900]	26.56 [1.046]	10	TDS10SGRNTR04	2-2319747-5
NO	RAISED	2	20.32 [.800]	24.02 [.946]	9	TDS09SGRNTR04	2-2319747-4
			17.78 [.700]	21.48 [.846]	8	TDS08SGRNTR04	2-2319747-3
			10.16 [.400]	13.86 [.546]	5	TDS05SGRNTR04	2-2319747-2
			7.62 [.300]	11.32 [.446]	4	TDS04SGRNTR04	2-2319747-1
			22.86 [.900]	26.56 [1.046]	10	TDS10SGNNTU04	1-2319747-0
			20.32 [.800]	24.02 [.946]	9	TDS09SGNNTU04	2319747-9
			17.78 [.700]	21.48 [.846]	8	TDS08SGNNTU04	2319747-8
			10.16 [.400]	13.86 [.546]	5	TDS05SGNNTU04	2319747-7
			7.62 [.300]	11.32 [.446]	4	TDS04SGNNTU04	2319747-6
			22.86 [.900]	26.56 [1.046]	10	TDS10SGNNTU04	2319747-5
			20.32 [.800]	24.02 [.946]	9	TDS09SGNNTU04	2319747-4
			17.78 [.700]	21.48 [.846]	8	TDS08SGNNTU04	2319747-3
			10.16 [.400]	13.86 [.546]	5	TDS05SGNNTU04	2319747-2
			7.62 [.300]	11.32 [.446]	4	TDS04SGNNTU04	2319747-1

TOP TAPE SEAL	ACTUATOR	NOTE	B	A	No OF POSITION	TE DESCRIPTIVE PART NUMBER	TE PART NUMBER
			DIM				
YES	RECESSED	2	22.86 [.900]	26.56 [1.046]	10	TDS10SGRSTU04	1-2319747-5
			20.32 [.800]	24.02 [.946]	9	TDS09SGRSTU04	1-2319747-4
			17.78 [.700]	21.48 [.846]	8	TDS08SGRSTU04	1-2319747-3
			10.16 [.400]	13.86 [.546]	5	TDS05SGRSTU04	1-2319747-2
			7.62 [.300]	11.32 [.446]	4	TDS04SGRSTU04	1-2319747-1
			22.86 [.900]	26.56 [1.046]	10	TDS10SGRNTR04	2-2319747-5
NO	RAISED	3	20.32 [.800]	24.02 [.946]	9	TDS09SGRNTR04	2-2319747-4
			17.78 [.700]	21.48 [.846]	8	TDS08SGRNTR04	2-2319747-3
			10.16 [.400]	13.86 [.546]	5	TDS05SGRNTR04	2-2319747-2
			7.62 [.300]	11.32 [.446]	4	TDS04SGRNTR04	2-2319747-1
			22.86 [.900]	26.56 [1.046]	10	TDS10SGRNTU04	1-2319747-0
			20.32 [.800]	24.02 [.946]	9	TDS09SGRNTU04	2319747-9
			17.78 [.700]	21.48 [.846]	8	TDS08SGRNTU04	2319747-8
			10.16 [.400]	13.86 [.546]	5	TDS05SGRNTU04	2319747-7
			7.62 [.300]	11.32 [.446]	4	TDS04SGRNTU04	2319747-6
			22.86 [.900]	26.56 [1.046]	10	TDS10SGNNTU04	2319747-5
			20.32 [.800]	24.02 [.946]	9	TDS09SGNNTU04	2319747-4
			17.78 [.700]	21.48 [.846]	8	TDS08SGNNTU04	2319747-3
			10.16 [.400]	13.86 [.546]	5	TDS05SGNNTU04	2319747-2
			7.62 [.300]	11.32 [.446]	4	TDS04SGNNTU04	2319747-1

THIS DRAWING IS A CONTROLLED DOCUMENT.

DWN 29MAY2017 SHIVAKUMAR S S		TE Connectivity	
CHK 29MAY2017 ALEXANDER SHARPE		NAME	
APVD 29MAY2017 ALEXANDER SHARPE		TRI-STATE DIP SWITCHES	
PRODUCT SPEC		-	
APPLICATION SPEC	-		
MATERIAL	SIZE A2	CAGE CODE 00779	DRAWING NO C-2319747
FINISH	WEIGHT	SCALE 8:1	SHEET 3 of 4
CUSTOMER DRAWING		RESTRICTED TO	REV A

REVISIONS				
P	LTR	DESCRIPTION	DATE	APVD
-	-	SEE SHEET 1	-	-

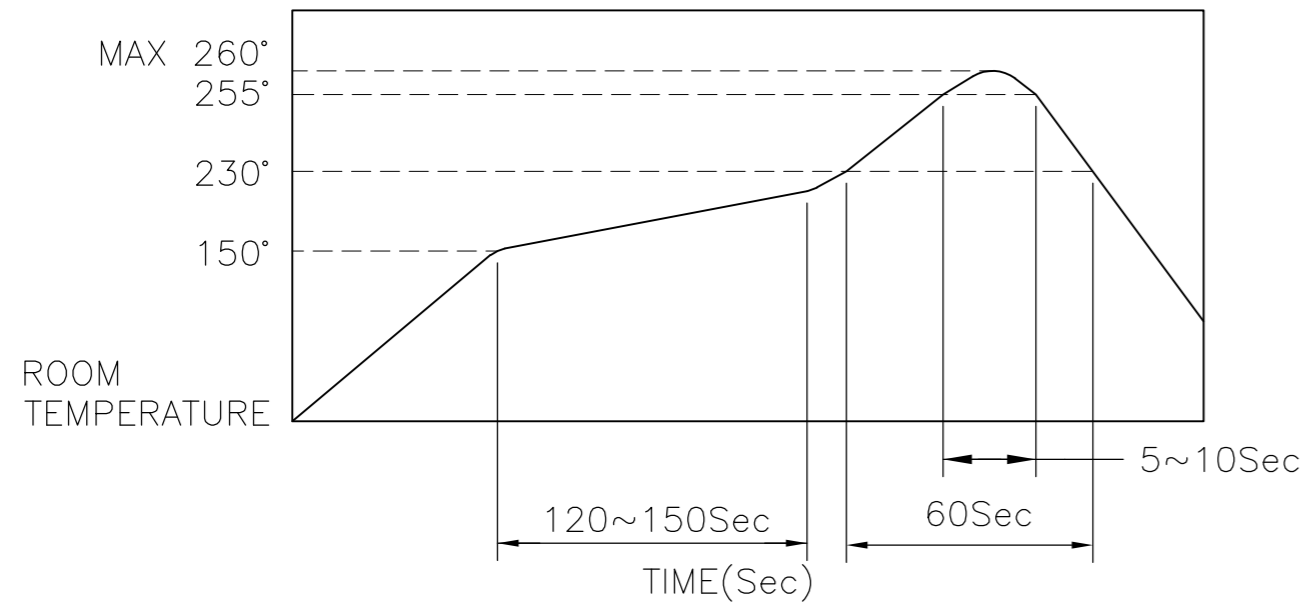
SOLDERING CONDITIONS:

THE CONDITIONS MENTIONED BELOW IS THE TEMPERATURE ON THE CU FOIL OF THE P.C.B SURFACE. DO NOT ALLOW THE SWITCH'S SURFACE TEMPERATURE TO EXCEED 260°C.

MANUAL SOLDERING

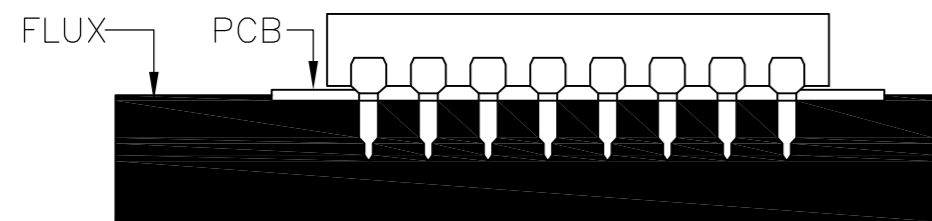
SOLDERING TEMPERATURE	MAX. 350°C.
CONTINUOUS SOLDERING TIME	MAX. 5 SECONDS.

REFLOW SOLDERING



HANDLING PRECAUTIONS

- CARE SHOULD BE EXERCISED SO THAT FLUX FROM THE UPPER PART OF THE PRINTED CIRCUIT BOARD DOES NOT ADHERE TO THE SWITCH.
- DON'T CLEAN THE SWITCH BODY EXCEPT WITH TOP TAPE SEALED TYPE, WHICH CAN ONLY SPRAY OF CLEANING METHOD FROM TOP OF S/W.
- ENSURE FLUX DOES NOT RISE ABOVE THE TOP SURFACE OF THE PCB.



SPECIFICATIONS:

MATERIALS:

BASE: PA (HIGH-TEMP. NYLON) UL94V-0
 COVER: PA (HIGH-TEMP. NYLON) UL94V-0
 ACTUATOR: LCP UL94V-0
 CONTACT: COPPER ALLOY, GOLD (in contact area)
 OVER NICKEL PLATE
 TERMINAL: BRASS ALLOY, GOLD PLATE
 TAPE: POLYAMIDE.

ELECTRICAL:

CONTACT RATING: NON-SWITCHING 100mA @ 50 VDC.
 SWITCHING: 25mA @ 24 VDC.
 INITIAL CONTACT RESISTANCE: 100mΩ MAX. @ 2 VDC. 10mA.
 INSULATION RESISTANCE: 100 MEGOHMS MIN. @ 500 VDC,
 1 MINUTE +/- 5 SECONDS.
 DIELECTRIC STRENGTH: 500 VAC (50 OR 60 HZ), 1 MINUTE.
 DURABILITY: 2,000 CYCLES.
 CAPACITANCE: 5 pF MAX @ 1 MHz +/- 10 KHz.

MECHANICAL:

OPERATING FORCE: 1000gf MAX.

ENVIRONMENTAL:

OPERATING TEMPERATURE: -20°C TO +85°C.
 STORAGE TEMPERATURE: -40°C TO +85°C.
 SOLDER HEAT RESISTANCE PER 109-201, CONDITION B.
 SOLDERABILITY PER JIS C 0050 & JIS C 0053.

NOTES:

1 ALL MATERIALS AND FINISHES SHALL COMPLY WITH EU DIRECTIVE 2002/95/EC OF 27 JAN 2003 (ROHS).



TUBE PACKAGING.



TAPE AND REEL PACKAGING.

THIS DRAWING IS A CONTROLLED DOCUMENT.		DWN 29MAY2017 SHIVAKUMAR S S																				
DIMENSIONS: mm[INCHES]		CHK 29MAY2017 ALEXANDER SHARPE																				
TOLERANCES UNLESS OTHERWISE SPECIFIED:		APVD 29MAY2017 ALEXANDER SHARPE	NAME TRI-STATE DIP SWITCHES																			
<table border="1"> <tr><td>0 PLC</td><td>±</td><td>-</td></tr> <tr><td>1 PLC</td><td>±</td><td>-</td></tr> <tr><td>2 PLC</td><td>±</td><td>0.20[.008]</td></tr> <tr><td>3 PLC</td><td>±</td><td>-</td></tr> <tr><td>4 PLC</td><td>±</td><td>-</td></tr> <tr><td>ANGLES</td><td>±</td><td>-</td></tr> </table>		0 PLC	±	-	1 PLC	±	-	2 PLC	±	0.20[.008]	3 PLC	±	-	4 PLC	±	-	ANGLES	±	-	PRODUCT SPEC -	SIZE A2	CAGE CODE 00779
0 PLC	±	-																				
1 PLC	±	-																				
2 PLC	±	0.20[.008]																				
3 PLC	±	-																				
4 PLC	±	-																				
ANGLES	±	-																				
MATERIAL		FINISH	DRAWING NO C=2319747	RESTRICTED TO -																		
		WEIGHT	SCALE 8:1 SHEET 4 OF 4 REV A																			
		CUSTOMER DRAWING																				

X-ON Electronics

Largest Supplier of Electrical and Electronic Components

Click to view similar products for [DIP Switches/SIP Switches](#) category:

Click to view products by [TE Connectivity](#) manufacturer:

Other Similar products are found below :

[79B10T](#) [8136-475G4T](#) [G7G-1A2-CB-DC12](#) [DRR60016](#) [DRS4016](#) [1825444-1](#) [200183](#) [206002](#) [219-6LPSTRF](#) [25.350.0653.0](#) [SBS 5004 TG](#)
[SDA10H1BDA](#) [97R06ST](#) [A2C-2A5](#) [1825444-7](#) [ADE08SA04](#) [ADE12S04](#) [192960010](#) [206005RAS](#) [206007](#) [2-1825058-8](#) [25.352.0353.0](#)
[CXDRIVEV2X](#) [LA2-002-DC24](#) [DSR02T](#) [E2FMX2D1M1TGJ03M](#) [NDI10H](#) [219-9MSTP](#) [EPM02FV](#) [206010RAST](#) [76SB05](#) [TD06H0SK1](#)
[Z7.255.9027.0](#) [1-1825058-3](#) [1825428-4](#) [219-10LPSTF](#) [E3ZG6111D03M](#) [G4D212PUSTV2DC5](#) [HARW0002](#) [EPG301BT06](#) [1-1825058-6](#)
[E3TSL23M5J03M](#) [Y5795](#) [7R0060](#) [HARW0001](#) [ADE07S04](#) [432220096](#) [206005](#) [206006](#) [206010](#)