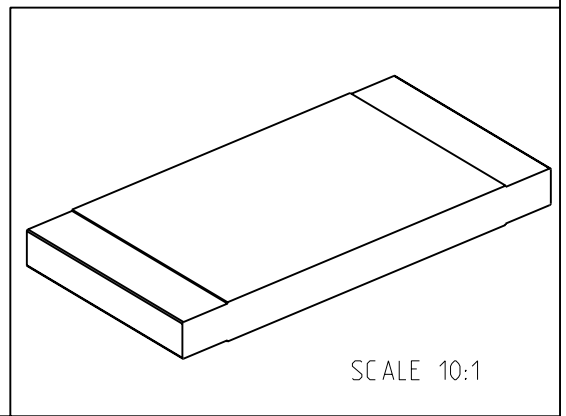


LOC	DIST	REVISIONS			
P	LTR	DESCRIPTION	DATE	DWN	APVD
E	B	BA1	REVISED PER ECO-11-005150	11MAY2011	RK HMR

FOR FURTHER INFORMATION SEE DATA SHEET FOR SERIES TL3A - SMD LOW-OHMIC CURRENT SENSE RESISTORS



RoHS Compliant




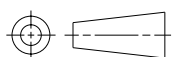
2009

RELEASED FOR PUBLICATION

ALL RIGHTS RESERVED.

THIS DRAWING IS UNPUBLISHED.

© COPYRIGHT 2009

DIMENSIONS:		DWN	07-JAN-09	MATERIAL	FINISH	
mm		SUBHASH.M		-	-	
TOLERANCES UNLESS OTHERWISE SPECIFIED:		CHK	07-JAN-09	 TE Connectivity		
		PRAKASH.S				
0 PLC ±0.2		APVD	07-JAN-09	NAME SMD LOW-OHMIC CURRENT SENSE RESISTORS SERIES TL3A		
1 PLC ±0.1		STEPHEN.P				
2 PLC ±		PRODUCT SPEC		SIZE	CAGE CODE	DRAWING NO
3 PLC ±		-		A 4	00779	©-1625827
4 PLC ±		APPLICATION SPEC		RESTRICTED TO		
ANGLES ±5°		-		-		
		WEIGHT	-	CUSTOMER DRAWING		
				SCALE	20:1	SHEET 1 OF 1
				REV BA1		

X-ON Electronics

Largest Supplier of Electrical and Electronic Components

Click to view similar products for [Metal Foil Resistors - SMD category](#):

Click to view products by [TE Connectivity manufacturer](#):

Other Similar products are found below :

[Y11201R0000D9W](#) [Y11195R0000D9W](#) [Y4023120R000Q9R](#) [Y1633259R750T9R](#) [Y406650R0000B0W](#) [Y16241K00000Q9R](#)
[Y16362K50000T9R](#) [Y4023350R000Q9R](#) [Y11721K00000T9R](#) [RCU-0C](#) [Y16292K50000T9R](#) [Y1624500R000T9R](#) [Y16252K00000T9R](#)
[Y406310K0000Q0R](#) [Y16301K00000T9R](#) [Y116910K0000T9R](#) [Y406320K0000Q0R](#) [Y40225K00000T0R](#) [Y16271K00000T9R](#)
[TL2BR082FTE](#) [MFC0603-R020FT5](#) [FC4TR100DER](#) [RWB10K00AL](#) [MFC2817-R051FT1](#) [MFC2817-R039FT1](#) [VSM150620K000TB](#)
[Y11190R50000D9W](#) [Y11200R10000D9W](#) [Y112110R0000B9R](#) [Y112110K0000T9R](#) [Y1121100R000T9R](#) [Y11215R00000B9R](#)
[Y112119K0000T0L](#) [Y112120K0000T9R](#) [Y1121250R000T9R](#) [Y112125K0000T9R](#) [Y11212K00000T9R](#) [Y11212K50000T9R](#)
[Y1121500R000T9R](#) [Y11235R00000B0L](#) [Y1169100R000T9R](#) [Y116910R0000B9R](#) [Y1169250R000T9R](#) [Y11692K00000T9R](#)
[Y116920K0000T9R](#) [Y116950K0000T9R](#) [Y1172700R000F0W](#) [Y16241K00000T9R](#) [Y1624200R000Q9R](#) [Y16242K00000T9R](#)