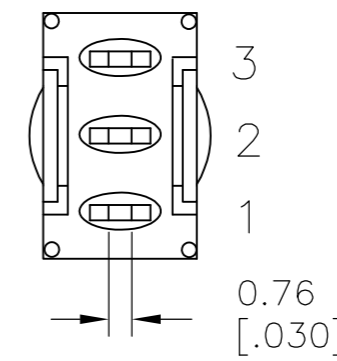
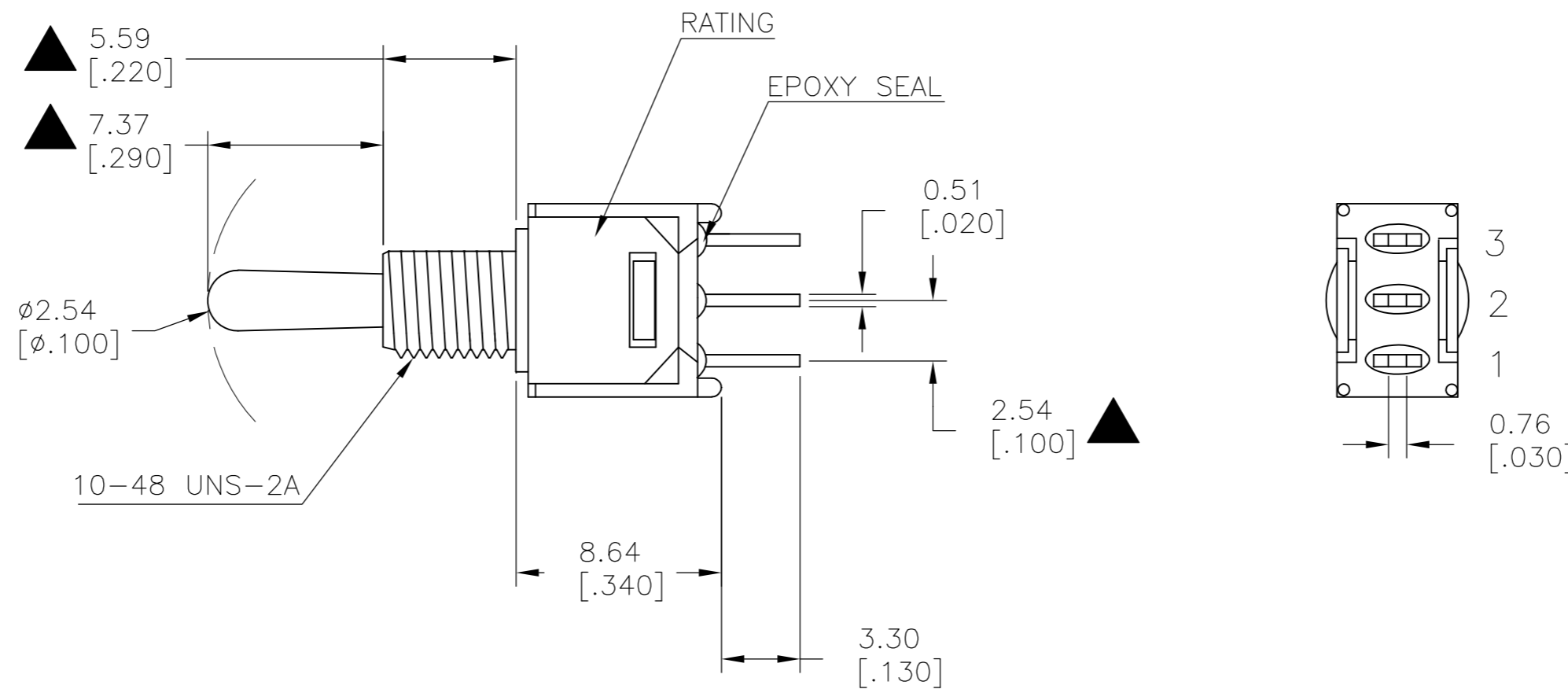
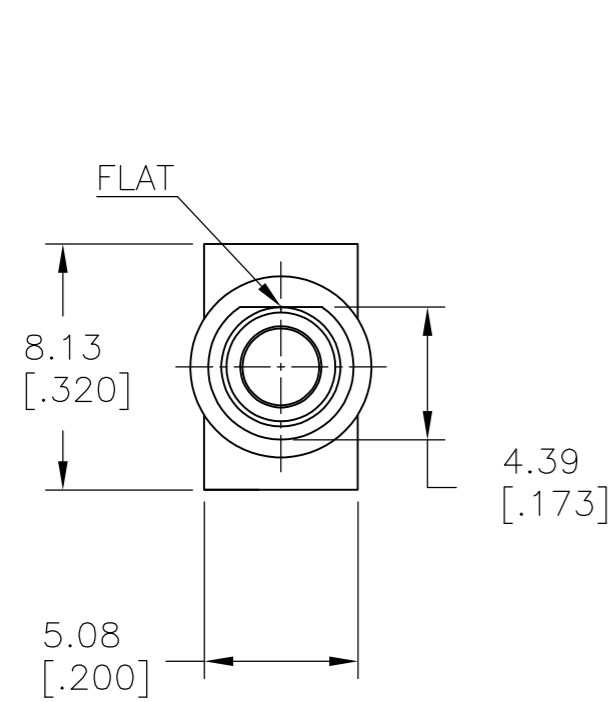


THIS DRAWING IS UNPUBLISHED. RELEASED FOR PUBLICATION
 © COPYRIGHT - By - ALL RIGHTS RESERVED.

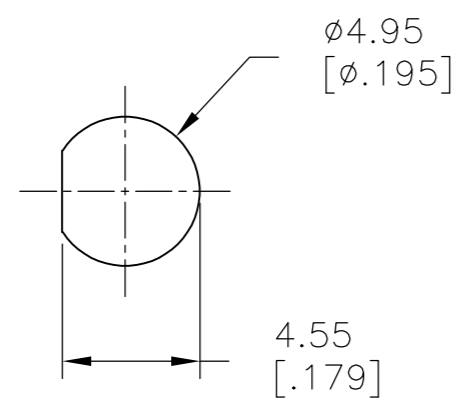
LOC		DIST		REVISIONS			
P	LTR	DESCRIPTION		DATE	DWN	APVD	
-	-	A1	REVISED PER ECO-15-014342	07OCT2015	NK	RH	

1 HARDWARE SUPPLIED WITH THREADED-BUSHING
 PARTS ONLY: TE P/N 2213733-1 (NUT) X2
 P/N 2213733-2 (LOCKING WASHER) X1

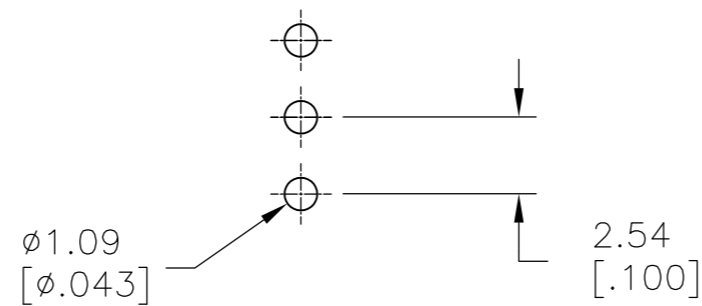


MODEL NO.	POS.1	POS.2	POS.3
TMS	ON	OFF	ON
TERM. COMM.	2-3		2-1
SCHEMATIC	OPEN		

SWITCH FUNCTION



PANEL MOUNTING



SOLDER LUG

LAYOUT FOR PN 2267079-6

SPECIFICATIONS

MECHANICAL LIFE: 30,000 MAKE-AND-BREAK CYCLES.

CONTACT RESISTANCE: 20 mΩ MAX. INITIAL @ 2-4VDC
 100mA FOR BOTH SILVER AND GOLD PLATED CONTACTS.

CONTACT RATING: SILVER PLATED: 3A @ 120 VAC OR 28 VDC, 1A @ 250 VAC
 GOLD PLATED: 0.4VA MAX @ 20 V MAX (AC OR DC)

INSULATION RESISTANCE: 1,000 MΩ MIN.

DIELECTRIC STRENGTH: 1,000 Vrms MIN.@SEA LEVEL.

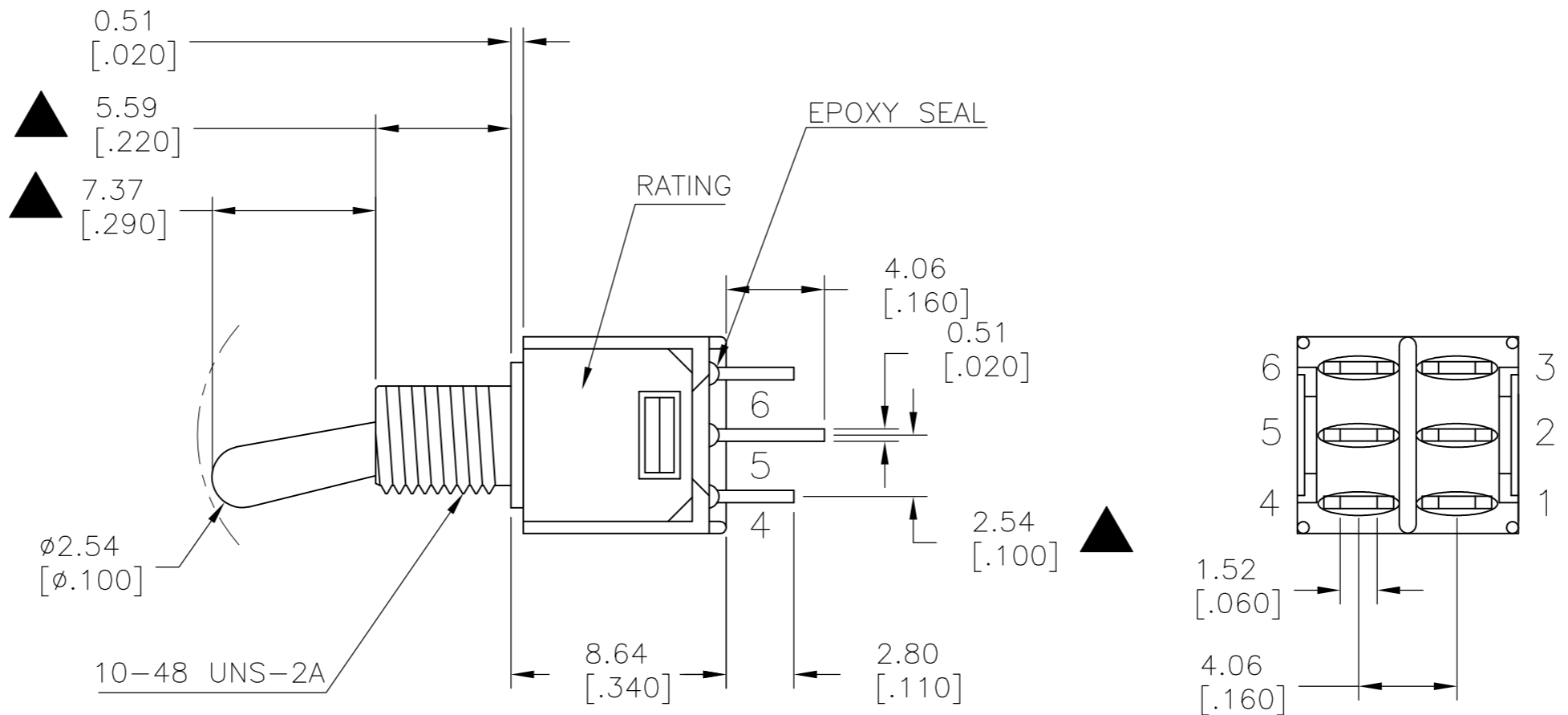
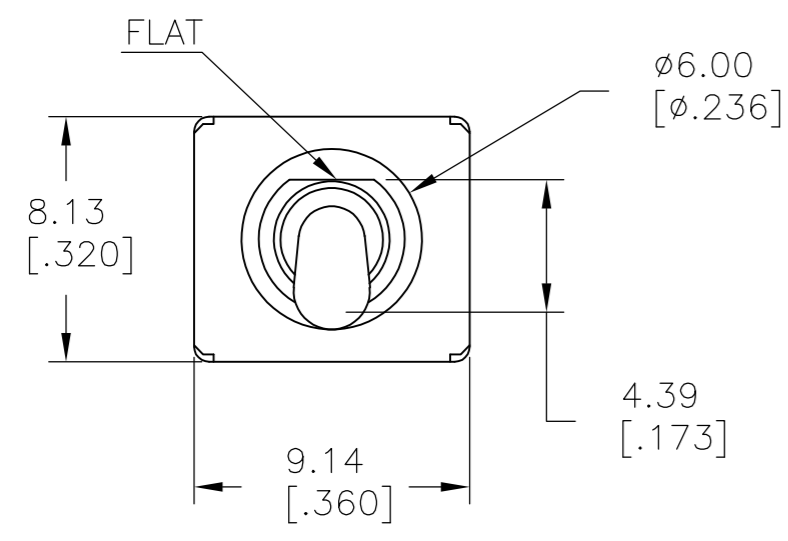
OPERATING TEMPERATURE: -30°C TO 85°C.

GOLD	ON-OFF-ON	PC THROUGH-HOLE	VERTICAL	1	2	TMS3T3B1M2RE	2267079-6
SILVER	ON-ON	SOLDER LUG	VERTICAL	2	2	TMD1T3B1M1QE	2267079-5
SILVER	ON-OFF-ON	SOLDER LUG	VERTICAL	1	2	TMS3T3B1M1QE	2267079-4
SILVER	ON-ON	SOLDER LUG	VERTICAL	1	2	TMS1T3B1M1QE	2267079-3
SILVER	OFF-ON	SOLDER LUG	VERTICAL	1	2	TMS6T3B1M1QE	2267079-2
GOLD	ON-ON	WIRE WRAP	VERTICAL	1	2	TMS1T3B1M5RE	2267079-1
CONTACT MATERIAL	FUNCTION	TERMINATION	MOUNT ANGLE	POLES	THROWS	DESCRIPTIVE PN	TE PN

THIS DRAWING IS A CONTROLLED DOCUMENT.		DWN NAGALAKSHMI K 11JUL2014	TE Connectivity	
DIMENSIONS: mm [INCHES]		CHK HILL, RYAN 11JUL2014		
TOLERANCES UNLESS OTHERWISE SPECIFIED:		APVD HILL, RYAN 11JUL2014	NAME	
0 PLC ± -		PRODUCT SPEC	SUBMINIATURE TOGGLE SWITCH	
1 PLC ± 0.38[.015]		APPLICATION SPEC	SIZE CAGE CODE DRAWING NO RESTRICTED TO	
2 PLC ± 0.25[.010]			A2 00779 C=2267079	
3 PLC ± -		WEIGHT	SCALE 3:1 SHEET 1 of 6 REV A1	
4 PLC ± -				
ANGLES ± 5°				
MATERIAL FINISH		CUSTOMER DRAWING		

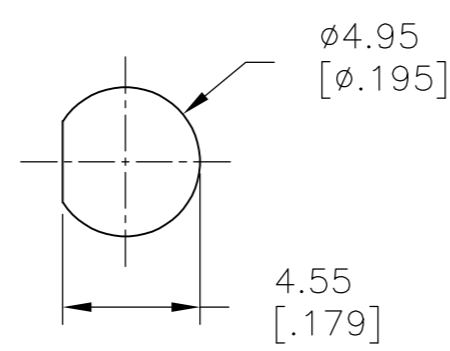
THIS DRAWING IS UNPUBLISHED. RELEASED FOR PUBLICATION
 © COPYRIGHT - By - ALL RIGHTS RESERVED.

LOC		DIST		REVISIONS			
P	LTR	DESCRIPTION	DATE	DWN	APVD		
-	-	SEE SHEET 1	-	-	-		

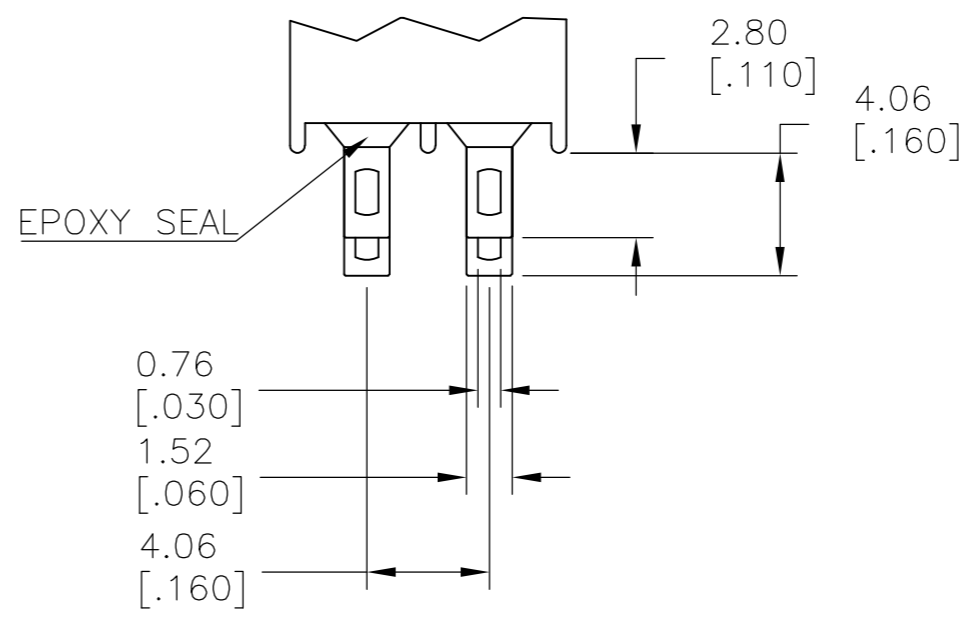


MODEL NO.	POS.1	POS.2	POS.3
TMS	ON	NONE	ON
TERM. COMM.	2-3,5-6		2-1,5-4
SCHMATIC		N/A	

SWITCH FUNCTION



PANEL MOUNTING



SOLDER LUG

LAYOUT FOR PN 2267079-5

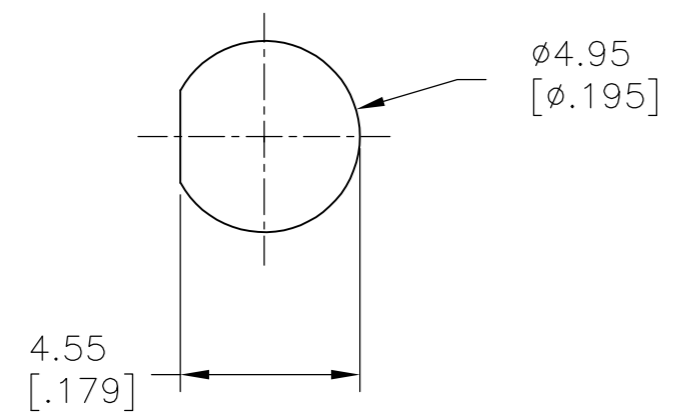
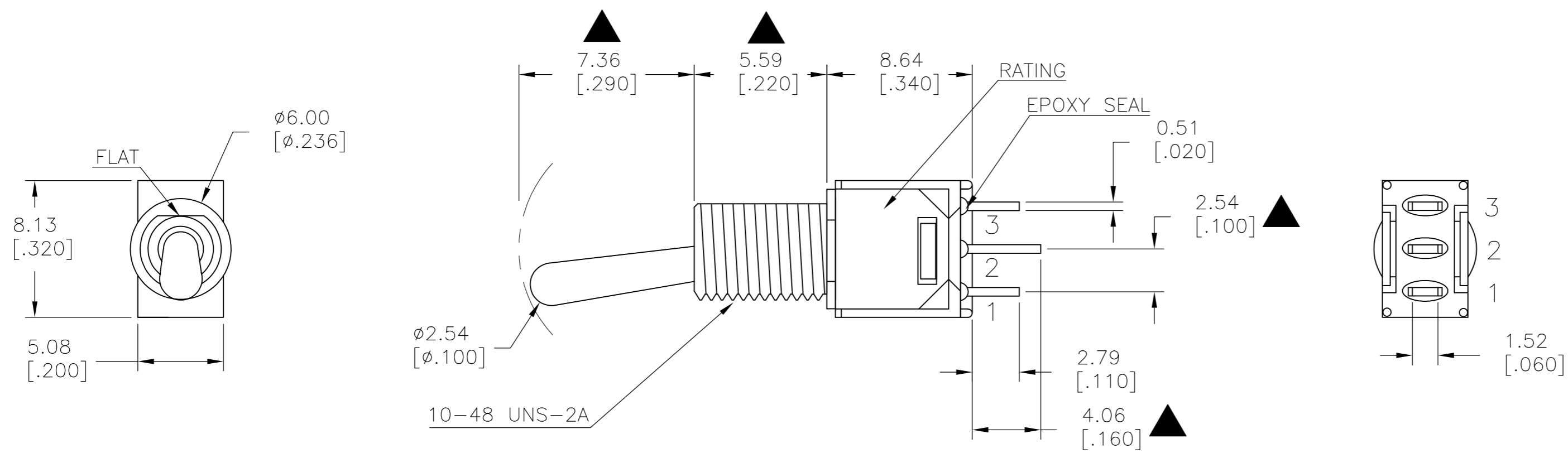
THIS DRAWING IS A CONTROLLED DOCUMENT.		DWN 11JUL2014 NAGALAKSHMI K	TE Connectivity	
DIMENSIONS: mm [INCHES]		CHK 11JUL2014 HILL, RYAN		
TOLERANCES UNLESS OTHERWISE SPECIFIED:		APVD 11JUL2014 HILL, RYAN	NAME	
0 PLC ± -		PRODUCT SPEC		
1 PLC ± 0.38[.015]		APPLICATION SPEC		
2 PLC ± 0.25[.010]		SIZE CAGE CODE DRAWING NO RESTRICTED TO		
3 PLC ± -		A2 00779 C-2267079		
4 PLC ± -		WEIGHT -		
ANGLES ± 5°		CUSTOMER DRAWING		
FINISH		SCALE 3:1 SHEET 2 of 6 REV A1		

THIS DRAWING IS UNPUBLISHED. RELEASED FOR PUBLICATION
 © COPYRIGHT - By - ALL RIGHTS RESERVED.

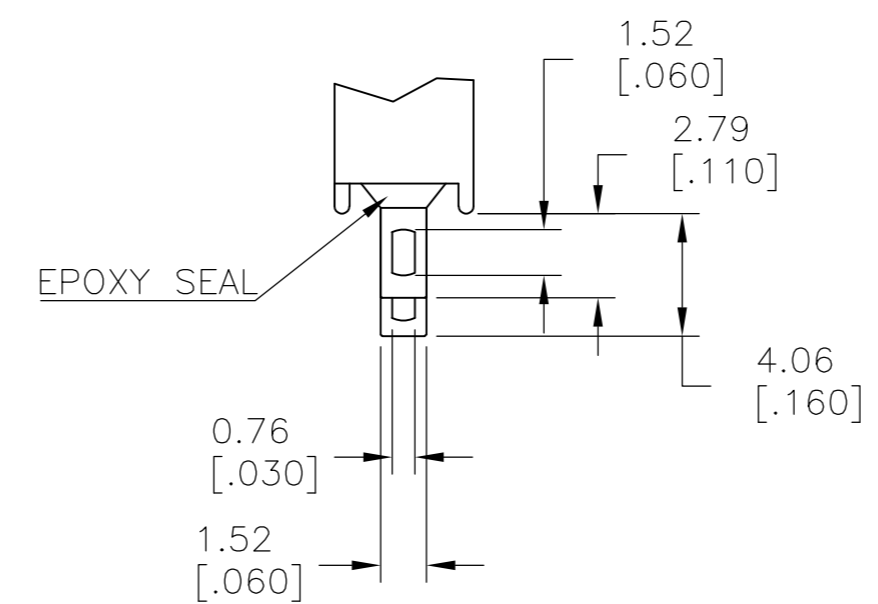
LOC		DIST		REVISIONS			
P	LTR	DESCRIPTION	DATE	DWN	APVD		
-	-	SEE SHEET 1	-	-	-		

MODEL NO.	POS.1	POS.2	POS.3
TMS	ON	NONE	ON
TERM. COMM.	2-3		2-1
SCHMATIC		N/A	

SWITCH FUNCTION



PANEL MOUNTING



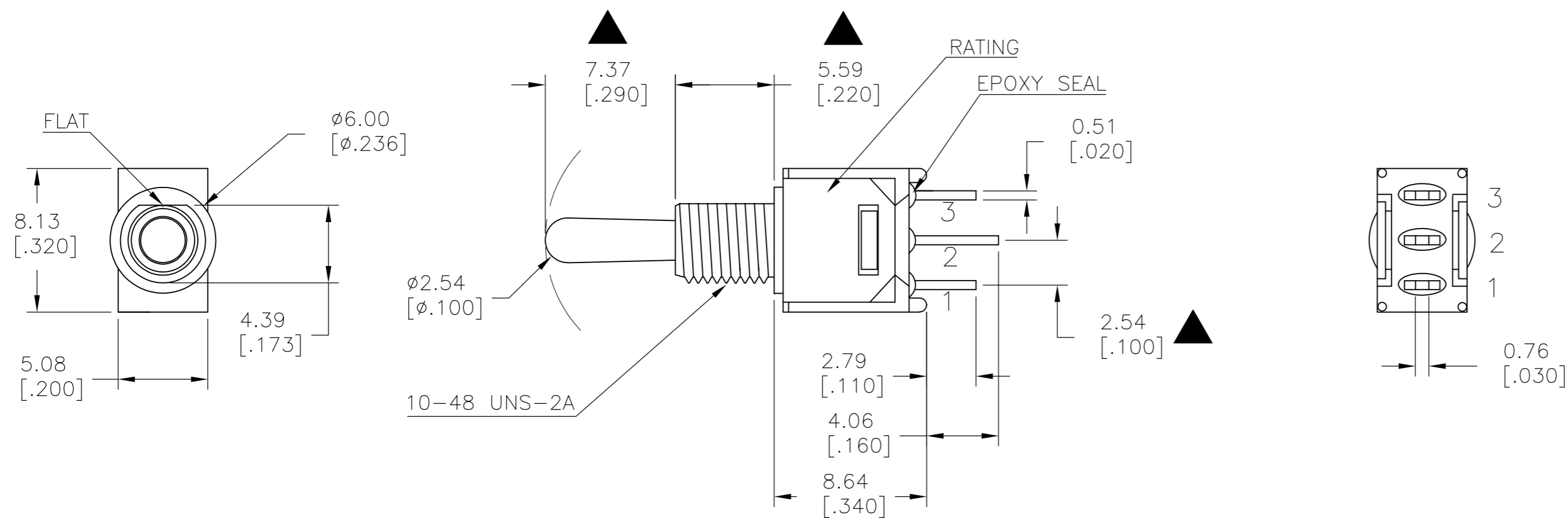
SOLDER LUG

LAYOUT FOR PN 2267079-3

THIS DRAWING IS A CONTROLLED DOCUMENT.		DWN 11JUL2014 NAGALAKSHMI K	TE Connectivity	
DIMENSIONS: mm [INCHES]		CHK 11JUL2014 HILL, RYAN		
TOLERANCES UNLESS OTHERWISE SPECIFIED:		APVD 11JUL2014 HILL, RYAN	NAME	
0 PLC ± -		PRODUCT SPEC		
1 PLC ± 0.38[.015]		APPLICATION SPEC		
2 PLC ± 0.25[.010]		SIZE CAGE CODE DRAWING NO		
3 PLC ± -		RESTRICTED TO		
4 PLC ± -		WEIGHT - A2 00779 C-2267079		
ANGLES ± 5°		CUSTOMER DRAWING SCALE 3:1 SHEET 3 of 6 REV A1		
FINISH				

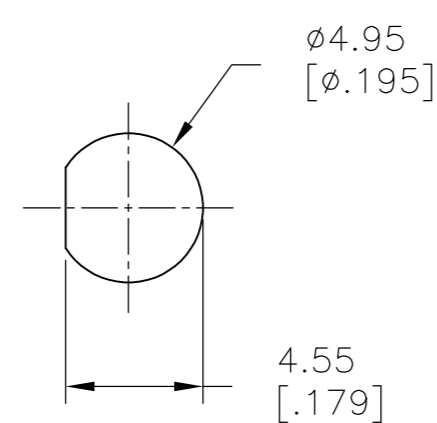
THIS DRAWING IS UNPUBLISHED. RELEASED FOR PUBLICATION
 © COPYRIGHT - By - ALL RIGHTS RESERVED.

LOC		DIST		REVISIONS			
P	LTR	DESCRIPTION	DATE	DWN	APVD		
-	-	SEE SHEET 1	-	-	-		

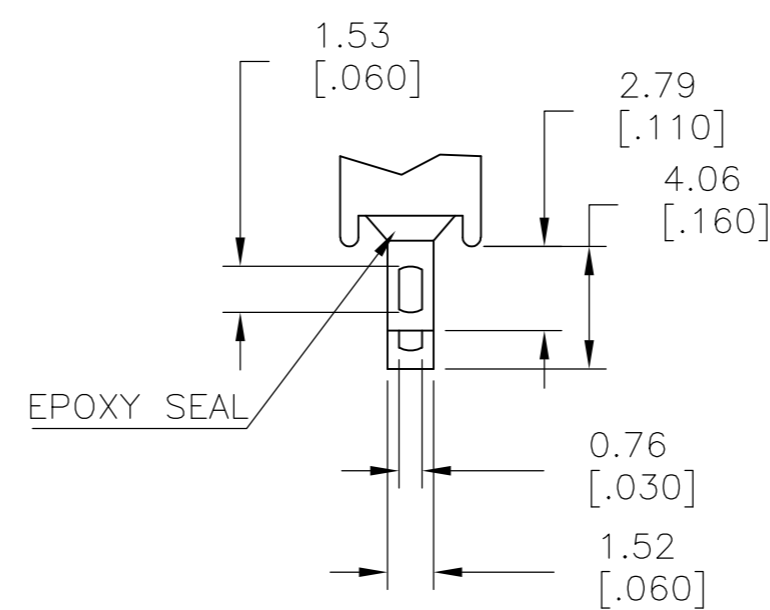


MODEL NO.	POS.1	POS.2	POS.3
TMS	ON	OFF	ON
TERM. COMM.	2-3		2-1
SCHMATIC		OPEN	

SWITCH FUNCTION



PANEL MOUNTING



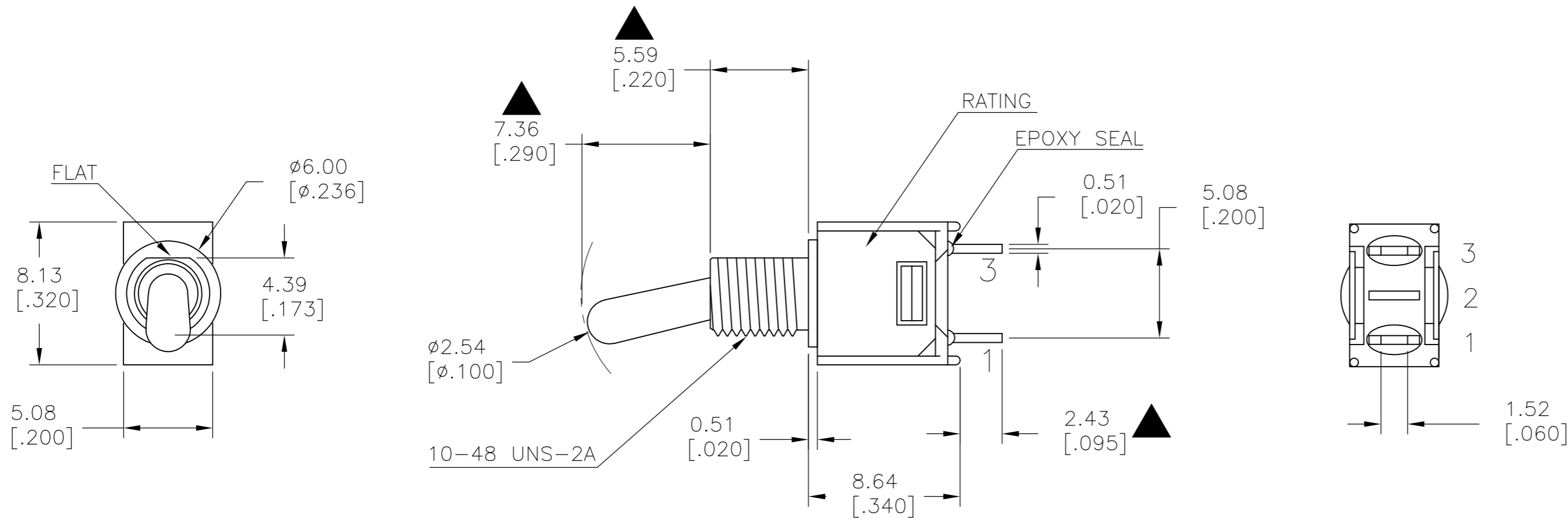
SOLDER LUG

LAYOUT FOR PN 2267079-4

THIS DRAWING IS A CONTROLLED DOCUMENT.		DWN 11JUL2014 NAGALAKSHMI K	TE Connectivity	
DIMENSIONS: mm [INCHES]		CHK 11JUL2014 HILL, RYAN		
TOLERANCES UNLESS OTHERWISE SPECIFIED:		APVD 11JUL2014 HILL, RYAN	NAME	
0 PLC ± -		PRODUCT SPEC		
1 PLC ± 0.38[.015]		APPLICATION SPEC		
2 PLC ± 0.25[.010]		SIZE CAGE CODE DRAWING NO RESTRICTED TO		
3 PLC ± -		A2 00779 C-2267079		
4 PLC ± -		WEIGHT -		
ANGLES ± 5°		CUSTOMER DRAWING		
FINISH -		SCALE 3:1 SHEET 4 of 6 REV A1		

THIS DRAWING IS UNPUBLISHED. RELEASED FOR PUBLICATION
 © COPYRIGHT - By - ALL RIGHTS RESERVED.

LOC	DIST	REVISIONS			
P	LTR	DESCRIPTION	DATE	DWN	APVD
-	-	SEE SHEET 1	-	-	-



MODEL NO.	POS.1	POS.2	POS.3
TMD	OFF	NONE	ON
TERM. COMM.	OPEN	N/A	3-1
SCHEMATIC			

SWITCH FUNCTION

WITHOUT LOCKING RING

WITH STANDARD LOCKING RING

PANEL MOUNTING

LAYOUT FOR PN 2267079-2

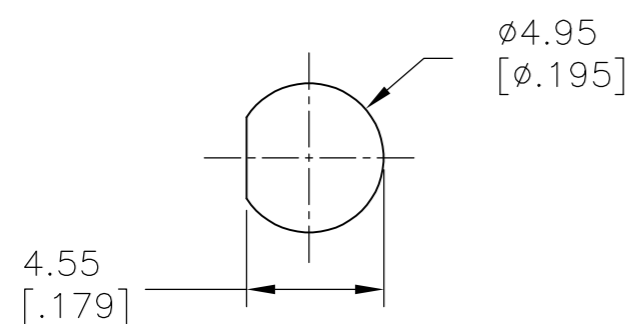
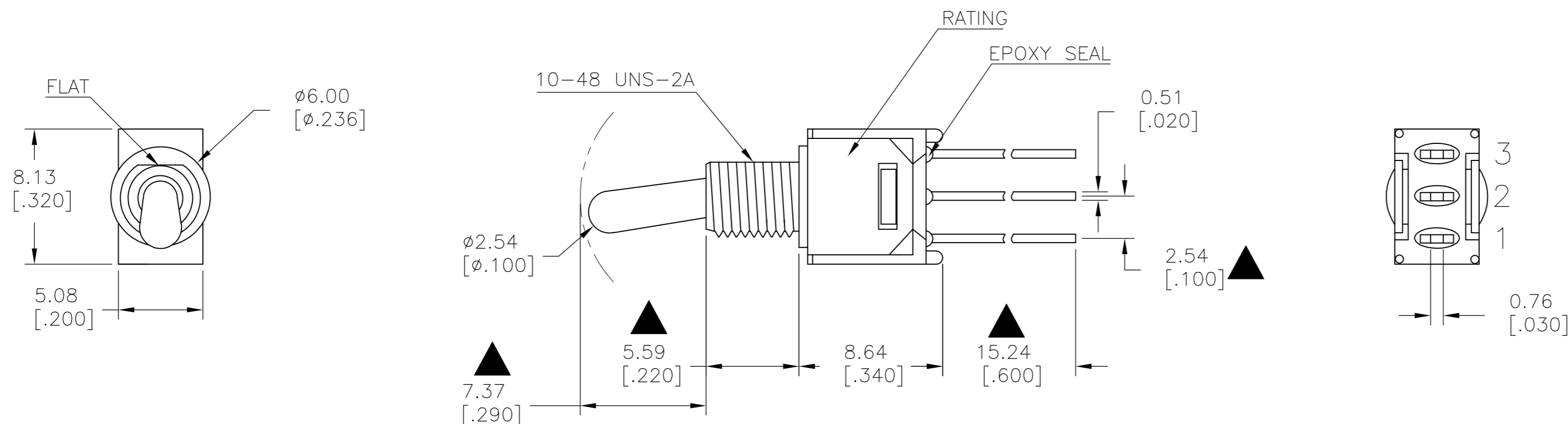
THIS DRAWING IS A CONTROLLED DOCUMENT.		DWN 11JUL2014 NAGALAKSHMI K	TE Connectivity	
DIMENSIONS: mm [INCHES]		CHK 11JUL2014 HILL, RYAN		
TOLERANCES UNLESS OTHERWISE SPECIFIED:		APVD 11JUL2014 HILL, RYAN	NAME	
0 PLC ± -		PRODUCT SPEC		
1 PLC ± 0.38[.015]		APPLICATION SPEC		
2 PLC ± 0.25[.010]		SIZE CAGE CODE DRAWING NO RESTRICTED TO		
3 PLC ± -		A2 00779 C-2267079		
4 PLC ± -		CUSTOMER DRAWING SCALE 3:1 SHEET 5 of 6 REV A1		
ANGLES ± 5°				
FINISH				

THIS DRAWING IS UNPUBLISHED. RELEASED FOR PUBLICATION
 © COPYRIGHT - By - ALL RIGHTS RESERVED.

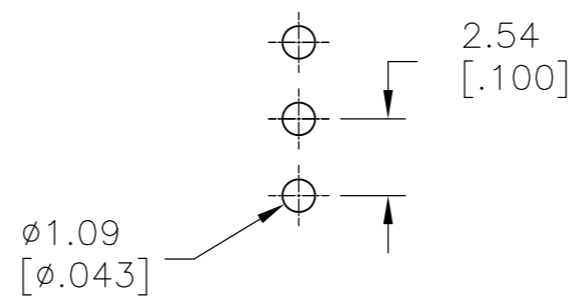
LOC		DIST		REVISIONS			
P	LTR	DESCRIPTION		DATE	DWN	APVD	
-	-	SEE SHEET 1		-	-	-	

MODEL NO.	POS.1	POS.2	POS.3
TMS	ON	NONE	ON
TERM. COMM.	2-3		2-1
SCHEMATIC		N/A	

SWITCH FUNCTION



PANEL MOUNTING



SOLDER LUG

LAYOUT FOR PN 2267079-1

THIS DRAWING IS A CONTROLLED DOCUMENT.		DWN 11JUL2014 NAGALAKSHMI K	TE Connectivity	
DIMENSIONS: mm [INCHES]		CHK 11JUL2014 HILL, RYAN		
TOLERANCES UNLESS OTHERWISE SPECIFIED:		APVD 11JUL2014 HILL, RYAN	NAME	
0 PLC ± -		PRODUCT SPEC		
1 PLC ± 0.38[.015]		APPLICATION SPEC		
2 PLC ± 0.25[.010]		SIZE CAGE CODE DRAWING NO RESTRICTED TO		
3 PLC ± -		A2 00779 C-2267079		
4 PLC ± -		SCALE 3:1 SHEET 6 OF 6 REV A1		
ANGLES ± 5°		CUSTOMER DRAWING		
FINISH		WEIGHT -		

X-ON Electronics

Largest Supplier of Electrical and Electronic Components

Click to view similar products for [Toggle Switches](#) category:

Click to view products by [TE Connectivity](#) manufacturer:

Other Similar products are found below :

[8928K478](#) [020017-13](#) [60012L](#) [6006L](#) [CS115W](#) [CS120W](#) [6663](#) [7101SPDV30BE](#) [7103SDV30BE](#) [7105D](#) [7108P3YAV2BE](#) [71YY50282](#)
[7300K36](#) [7301K38](#) [7306K36](#) [7310K36](#) [7506K4](#) [7592K6](#) [7660K12](#) [7691K14](#) [7700K1](#) [8391K108](#) [8396K108](#) [8811K17](#) [8824K14](#) [8828K13](#)
[8835K3](#) [8858K44](#) [PS83-121G](#) [1-1825192-0](#) [A201SCWZB04](#) [A207SYCB04](#) [A208J61ZQ0004](#) [A221T1TCQ](#) [A323S1CWZQ](#)
[A423S1CWZG-M8](#) [1201W](#) [12156AX408](#) [12147AGKX679](#) [12246X778](#) [12TW49-3D](#) [130312](#) [13037L](#) [13001X](#) [AE101MD1W4B04](#)
[AE208SD1W4B04](#) [MS24659-22D](#) [MS27407-5](#) [1520230-9](#) [1520231-1](#)