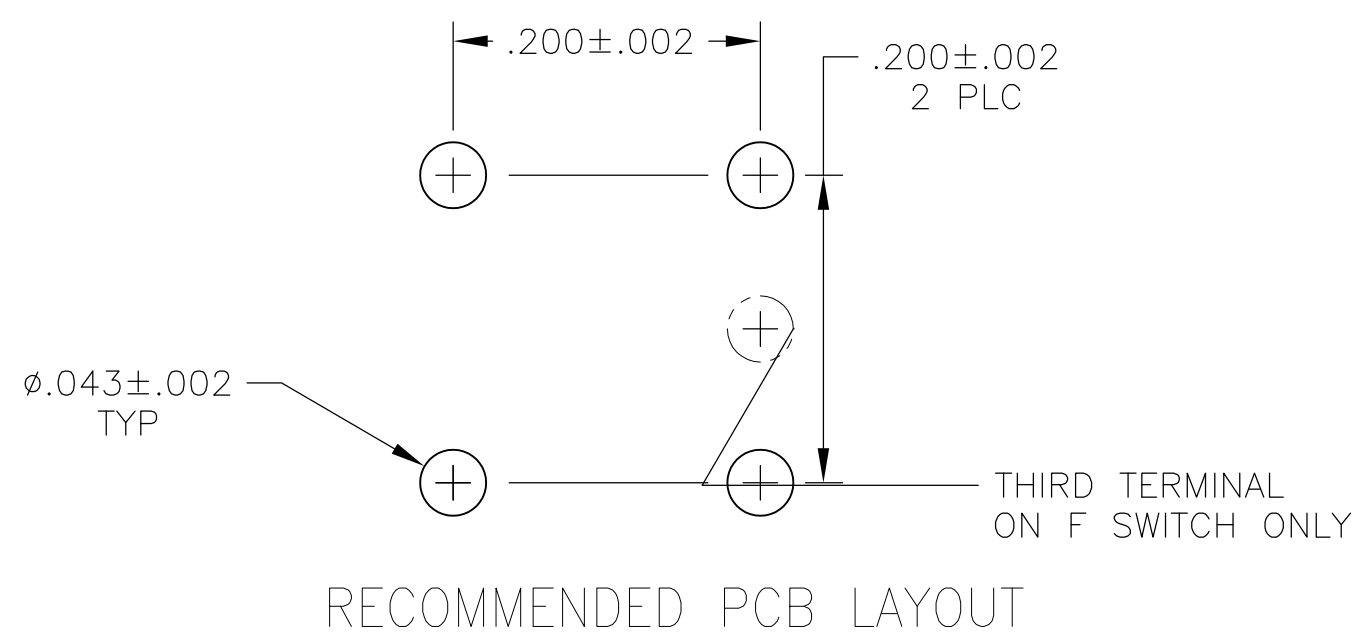
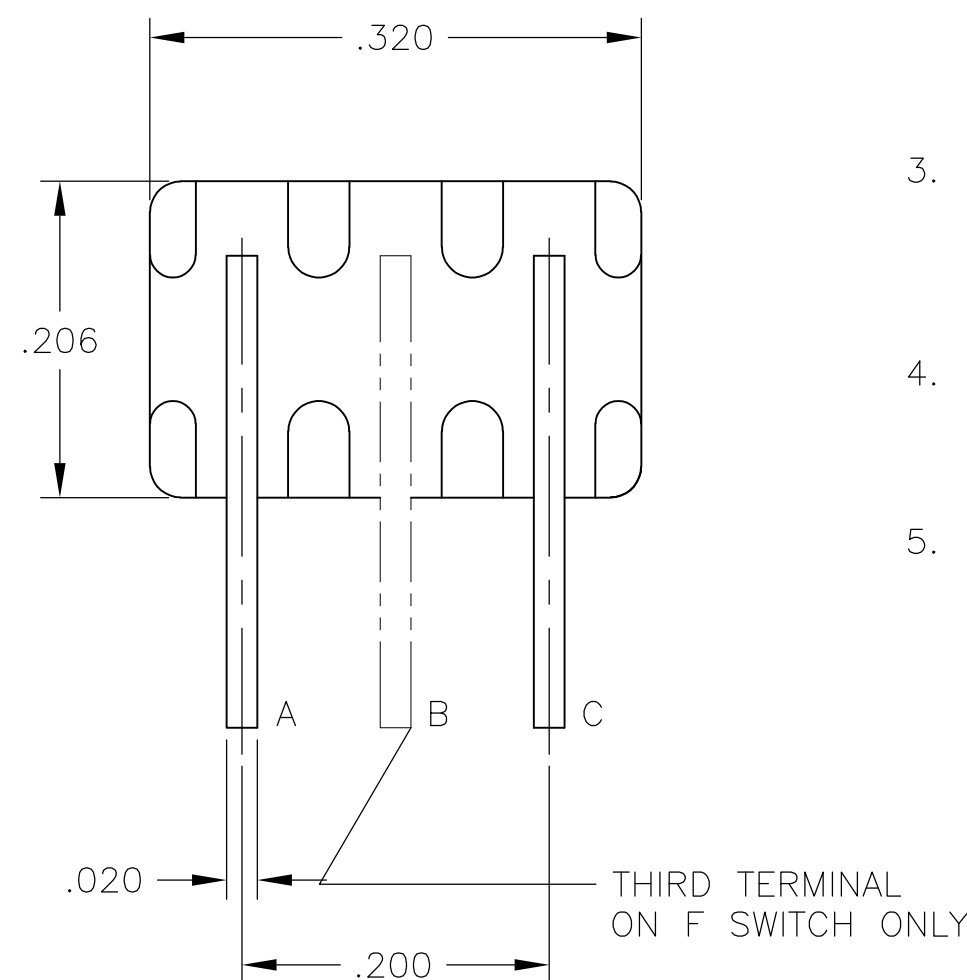
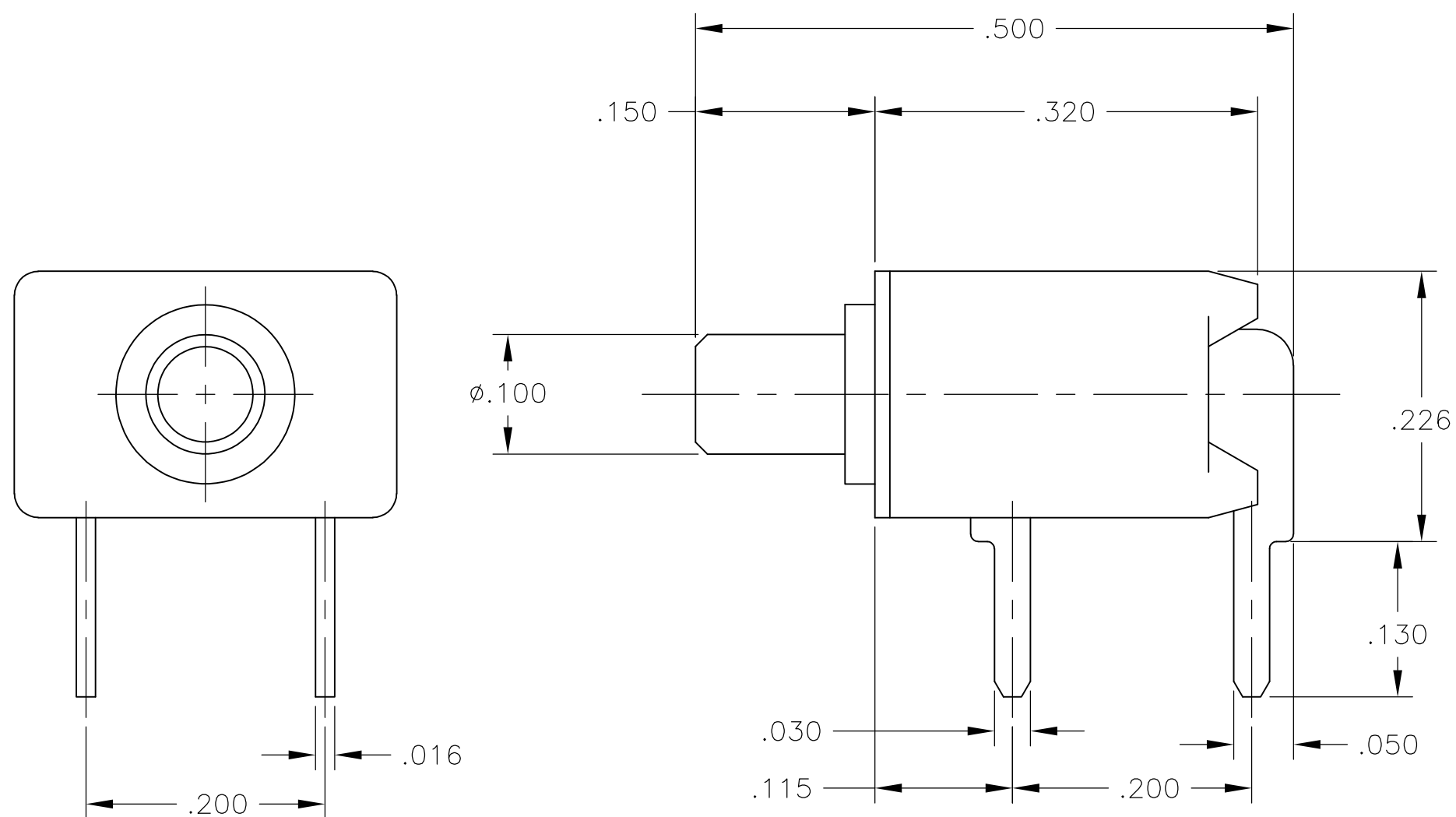


THIS DRAWING IS UNPUBLISHED. RELEASED FOR PUBLICATION
 © COPYRIGHT - By - ALL RIGHTS RESERVED.

LOC	DIST	REVISIONS					
AD	00	P	LTR	DESCRIPTION	DATE	DWN	APVD
		B1		REVISED PER ECO-11-005027	11MAR11	RK	HMR

NOTES:

- MATERIALS:**
 CASE: THERMOPLASTIC, UL94-V0.
 ACTUATOR BUTTON: THERMOPLASTIC, COLORS: SEE CHART
 MOVING CONTACT: COPPER ALLOY, GOLD PLATED
 FIXED CONTACT: COPPER ALLOY, GOLD PLATED
 TERMINALS: COPPER ALLOY, TIN-LEAD PLATED
 TERMINAL SEAL: SP EPOXY
- ELECTRICAL:**
 CONTACT RATING GOLD: 0.4 VA MAX @ 20 VDC OR PEAK AC
 INITIAL CONTACT RESISTANCE: 20 MILLIOHMS MAX
 INSULATION RESISTANCE: 1,000 MEGOHMS AT 500 VDC MIN.
 DIELECTRIC STRENGTH: 1,000 VOLTS
 LIFE EXPECTANCY: 1 POLE = 1000,000 CYCLES
 2 POLES = 80,000 CYCLES.
- MECHANICAL:**
 ACTUATION FORCE: SEE TABLE
 ACTUATION TRAVEL: .030 APPROX.
- ENVIRONMENTAL:**
 OPERATING TEMPERATURE: -22°F TO +149°F (-30°C TO +65°C)
 STORAGE TEMPERATURE: -22°F TO +149°F (-30°C TO +65°C)
- INTERPRET DRAWING PER ASME Y14.5M-1984



12 oz [.34Kg]	BLUE	B TO C (MOM.)	B TO A	SPDT MOMENTARY	TPA11FGRA6	3-1437571-9
12 oz [.34Kg]	RED	B TO C (MOM.)	B TO A	SPDT MOMENTARY	TPA11FGRA2	3-1437571-8
12 oz [.34Kg]	BLACK	B TO C (MOM.)	B TO A	SPDT MOMENTARY	TPA11FGRA0	3-1437571-6
9 oz [.26Kg]	BLUE	A TO C	NONE	SPST NORMALLY OPEN	TPA11CGRA6	3-1437571-1
9 oz [.26Kg]	RED	A TO C	NONE	SPST NORMALLY OPEN	TPA11CGRA2	3-1437571-0
9 oz [.26Kg]	BLACK	A TO C	NONE	SPST NORMALLY OPEN	TPA11CGRA0	2-1437571-9
ACTUATION FORCE	BUTTON COLOR	DEPRESSED BUTTON	FREE BUTTON	ACTION	AUGAT PART NUMBER	PART NUMBER

THIS DRAWING IS A CONTROLLED DOCUMENT.

DWN	M.BINNER	13DEC2001
CHK	M.ZITTO	04DEC01
APVD	M.ZITTO	04DEC01
PRODUCT SPEC		
APPLICATION SPEC		
WEIGHT	-	
CUSTOMER DRAWING		

TE Connectivity

TPA11CG/FG-RA, SWITCH, PUSH BUTTON

SIZE: A2 CAGE CODE: 00779 DRAWING NO: 2-1437571-9 RESTRICTED TO: -

SCALE: 8:1 SHEET: 1 of 1 REV: B1

X-ON Electronics

Largest Supplier of Electrical and Electronic Components

Click to view similar products for [Pushbutton Switches](#) category:

Click to view products by [TE Connectivity](#) manufacturer:

Other Similar products are found below :

[LW1L-M1C10V-A](#) [LW2L-A1C20M-GD](#) [LW2L-M1C20M-A](#) [60324L](#) [M7E-HRN2](#) [67021K512](#) [67081K512X](#) [701PB580](#) [719-5504-000](#)
[MDPSSGLFS](#) [810KSV30B](#) [FLT 2U EE 01A](#) [MML21KA3ABK](#) [MML23KA3AC05K-001](#) [MML23KW3AA01W](#) [8418K2](#) [8646AB6X718UL](#)
[8646ABUL](#) [FSDWH](#) [9001KXRK](#) [9001T8BK](#) [9533CD4+U574+U4922](#) [1203MRA](#) [A22EM01S](#) [A595](#) [12037A2ULCSA](#) [1203A2UL](#)
[ABD122N-B](#) [1211390004](#) [ABN111-Y](#) [ABN400-R](#) [1211500044](#) [1211580012](#) [1212MRA](#) [1232A6NF](#) [1241.1183.7047](#) [1241.2511](#) [1241.3428](#)
[1223A2ULCSA](#) [1223MRA](#) [1232AX2119](#) [1241.1183.8000](#) [1241.1183.8029](#) [1241.2506](#) [1241.2606](#) [12MA6](#) [1301940184](#)
[RELBARF6X10\(PLASTIC\)](#) [13435AG](#) [13440AD2G25X822+U4546](#)