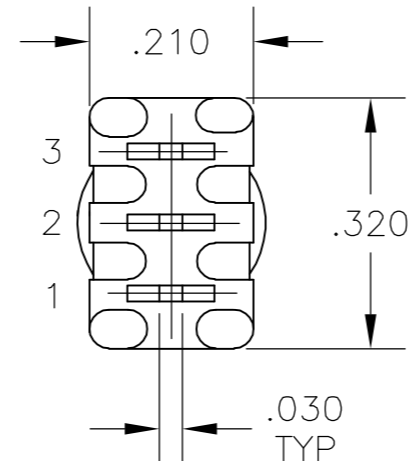
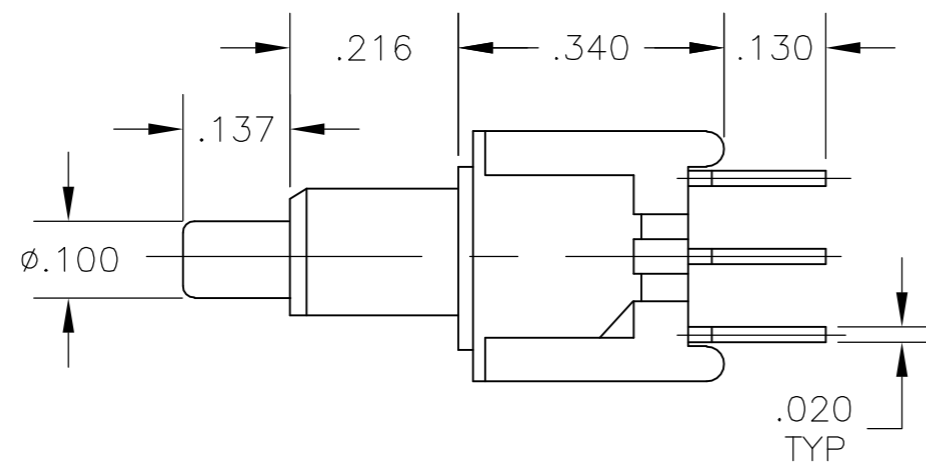
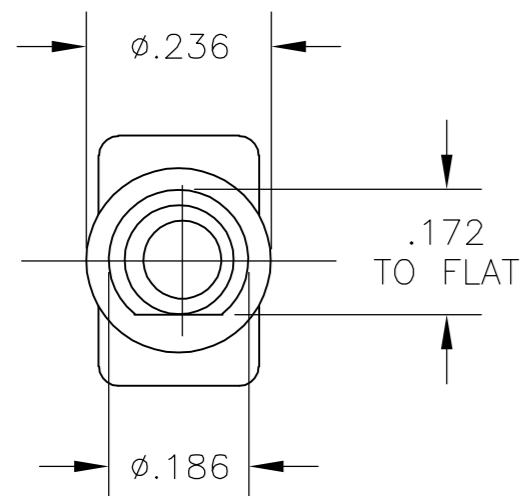
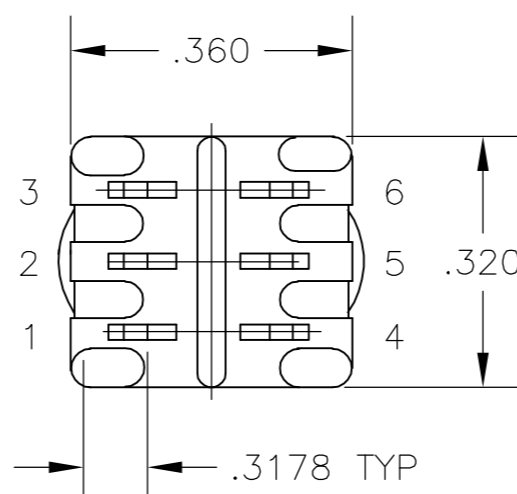
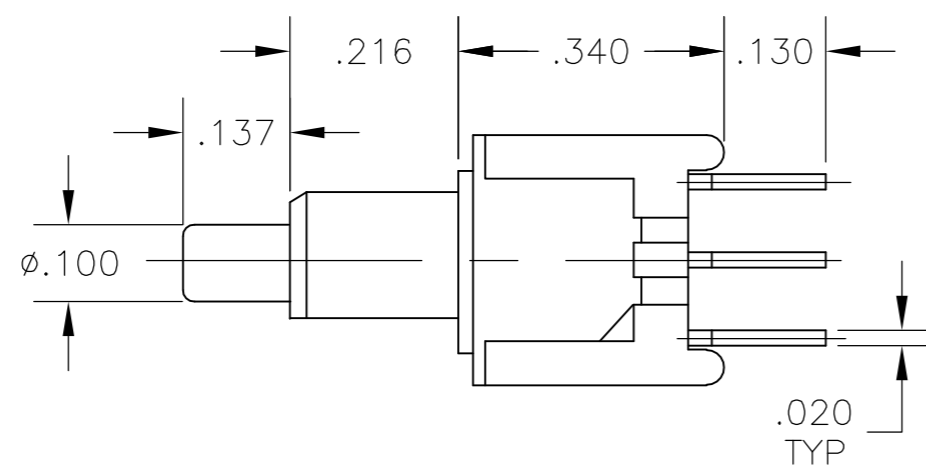
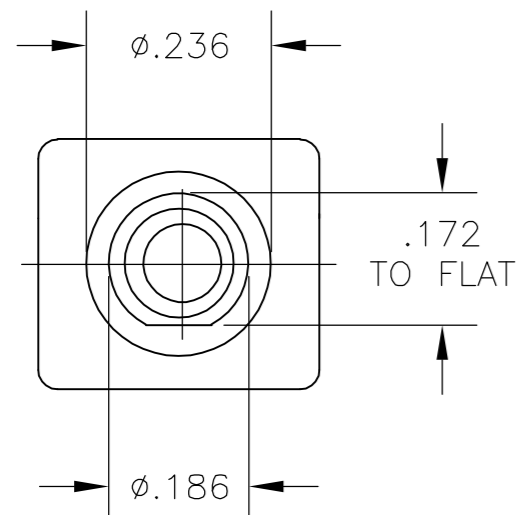


THIS DRAWING IS UNPUBLISHED. RELEASED FOR PUBLICATION  
 © COPYRIGHT BY TYCO ELECTRONICS CORPORATION. ALL RIGHTS RESERVED.

LOC		DIST		REVISIONS			
P	LTR	DESCRIPTION		DATE	DWN	APVD	
B		ECO 06 000585		08AUG06	BSV	MZ	



TYPE SP



TYPE DP

SPECIFICATIONS:

MATERIALS:

CASE: HIGH TEMPERATURE POLYESTER, UL 94V-0.  
 ACTUATOR BUTTON: THERMOPLASTIC, COLORS: SEE CHART BELOW.  
 MOVING CONTACT: COPPER ALLOY, GOLD PLATED.  
 FIXED CONTACT: COPPER ALLOY, GOLD PLATED.  
 TERMINALS: COPPER ALLOY, TIN LEAD PLATED.  
 TERMINAL SEAL: SP EPOXY  
 DP EPOXY OPTIONAL.

ELECTRICAL:

CONTACT RATING: 0.4 VA MAX. @ 20 VDC OR PEAK AC.  
 INITIAL CONTACT RESISTANCE: 20 MILLIOHMS MAX.  
 INSULATION RESISTANCE: 1,000 MEGOHMS @ 500 VDC MIN.  
 DIELECTRIC STRENGTH: 1,000 VAC.  
 LIFE EXPECTANCY: 1 POLE = 60,000 CYCLES  
 2 POLES = 50,000 CYCLES.

MECHANICAL:

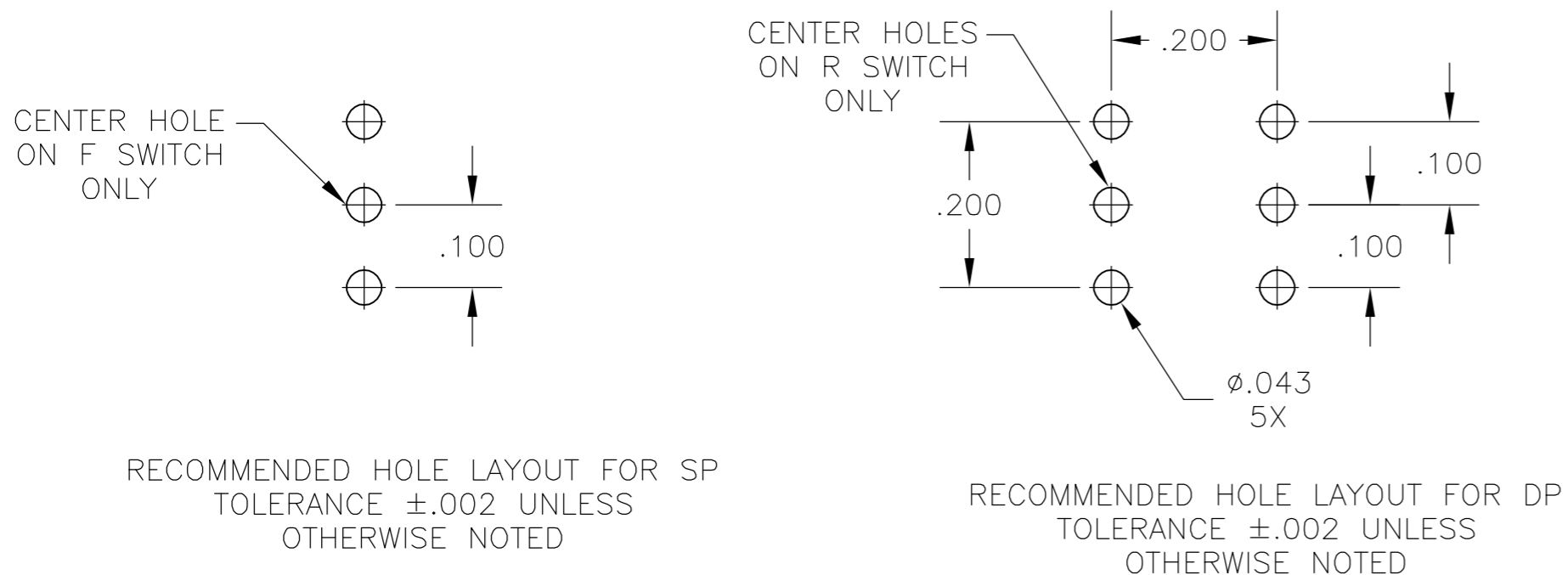
ACTUATION FORCE: 50 TO 400g.  
 ACTUATION TRAVEL: .030 APPROX.

ENVIRONMENTAL:

OPERATING TEMPERATURE: -22°F TO +149°F (-30°C TO +65°C).  
 STORAGE TEMPERATURE: -22°F TO +149°F (-30°C TO +65°C).

NOTES:

- INTERPRET DRAWING PER ASME Y14.5M-1994.
- SUPPLIED WITH MOUNTING HARDWARE.



OBSOLETE	TPB21RGPC2	8-1437571-4
OBSOLETE	TPB21RGPC0	8-1437571-3
	TPB21MGPC2	8-1437571-0
	TPB21MGPC0	7-1437571-9
OBSOLETE	TPB11FGPC6	6-1437571-7
OBSOLETE	TPB11FGPC2	6-1437571-6
	TPB11FGPC0	6-1437571-5
OBSOLETE	TPB11CGPC6	5-1437571-4
	TPB11CGPC2	5-1437571-3
	TPB11CGPC0	5-1437571-1
	ALCO MODEL	TYCO PART NO

TERMINALS CONNECTED WITH BUTTON IN POSITIONS SHOWN.		
SWITCH MODEL	FLAT	FLAT
TPB11CG-PC (*)	OFF	1-3(MOM)
TPB11FG-PC (*)	2-1	2-3(MOM)
TPB21MG-PC (*)	OFF	1-3 (MOM) 4-6
TPB21RG-PC (*)	2-1 5-4	2-3 (MOM) 5-6

NOTE:  
 TERMINAL DESIGNATION NUMBERS ARE FOR REFERENCE ONLY AND DO NOT APPEAR ON SWITCHES.

(*)	BUTTON COLOR	DIMENSIONS: INCHES  TOLERANCES UNLESS OTHERWISE SPECIFIED: 0 PLC ± - 1 PLC ± - 2 PLC ± - 3 PLC ± .010 4 PLC ± - ANGLES ± 1°	THIS DRAWING IS A CONTROLLED DOCUMENT. DWN TRU-D 12SEP96 CHK - APVD - PRODUCT SPEC - APPLICATION SPEC - WEIGHT - CUSTOMER DRAWING	 Tyco Electronics Corporation Harrisburg, Pa 17105-3608 NAME SWITCH,PUSH BUTTON TPBXXCG/FG/MG/RG-PC	SIZE A2 CAGE CODE 00779 DRAWING NO C=5-1437571-1 RESTRICTED TO - SCALE 4:1 SHEET 1 OF 1 REV B	
	(0)					BLACK
	(2)					RED
	(6)					BLUE

5-1437571-1

A

## X-ON Electronics

Largest Supplier of Electrical and Electronic Components

*Click to view similar products for [Pushbutton Switches](#) category:*

*Click to view products by [TE Connectivity](#) manufacturer:*

Other Similar products are found below :

[LW1L-M1C10V-A](#) [LW2L-A1C20M-GD](#) [LW2L-M1C20M-A](#) [60324L](#) [M7E-HRN2](#) [67021K512](#) [67081K512X](#) [701PB580](#) [719-5504-000](#)  
[MDPSSGLFS](#) [810KSV30B](#) [MML23KA3AC05K-001](#) [MML23KW3AA01W](#) [8418K2](#) [8646AB6X718UL](#) [8646ABUL](#) [FSDWH](#) [9001KXRK](#)  
[9001T8BK](#) [9533CD4+U574+U4922](#) [1203MRA](#) [A22EM01S](#) [A595](#) [1202A6](#) [12037A2ULCSA](#) [1203A2UL](#) [ABD122N-B](#) [1211390004](#)  
[ABN111-Y](#) [1211500044](#) [1211580012](#) [1212MRA](#) [1232A6NF](#) [RA3CSH6A](#) [1241.1183.7047](#) [1241.2511](#) [1241.3428](#) [1223A2ULCSA](#)  
[1223MRA](#) [1232AX2119](#) [1241.1183.8000](#) [1241.1183.8029](#) [1241.2506](#) [1241.2606](#) [12MA6](#) [1301940184](#) [RELBARF6X10\(PLASTIC\)](#)  
[13435AG](#) [13440AD2G25X822+U4546](#) [13445A4GX768](#)