

THIS DRAWING IS UNPUBLISHED. RELEASED FOR PUBLICATION  
 © COPYRIGHT BY TYCO ELECTRONICS CORPORATION. ALL RIGHTS RESERVED.

LOC		DIST		REVISIONS			
P	LTR	DESCRIPTION	DATE	DWN	APVD		
B		ECO 06 000585	08AUG06	BSV	MZ		

**SPECIFICATIONS:**

**MATERIALS:**

CASE: HIGH TEMPRATURE POLYESTER. UL 94V-0.  
 ACTUATOR BUTTON: THERMOPLASTIC, COLORS: SEE CHART BELOW.  
 MOVING CONTACT: COPPER ALLOY: GOLD PLATED.  
 FIXED CONTACT: COPPER ALLOY. GOLD PLATED.  
 TERMINALS: COPPER ALLOY: TIN LEAD PLATED.  
 TERMINAL SEAL: SP. EPOXY DP EPOXY OPTIONAL.

**ELECTRICAL:**

CONTACT RATING: GOLD =0.4 VA MAX. @ 20 VDC OR PEAK AC.  
 INITIAL CONTACT RESISTANCE: 20 MILLIOHMS MAX.  
 INSULATION RESISTANCE: 1000 MEGOHMS 500 VDC MIN.  
 DIELECTRIC STRENGTH: 1.000 VAC.  
 LIFE EXPECTANCY: GOLD: 1 POLE 100,000 CYCLES.  
 2 POLE 80,000 CYCLES.

**MECHANICAL:**

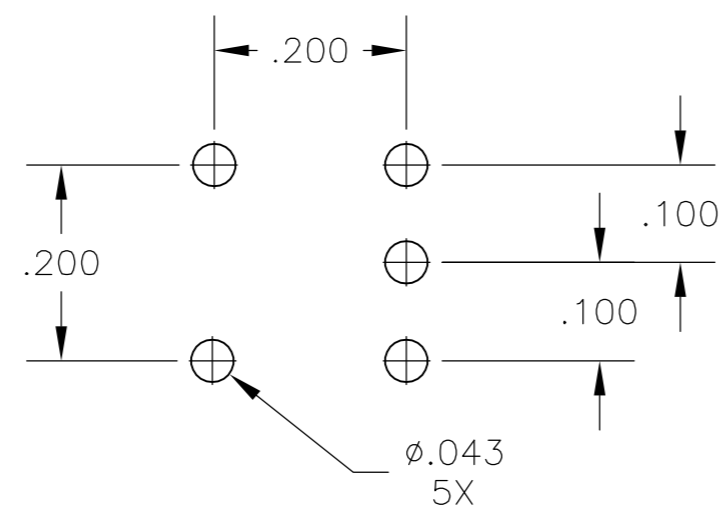
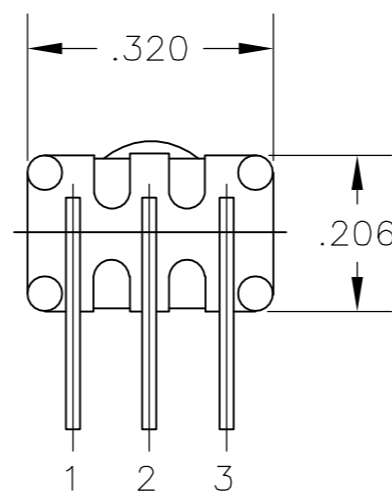
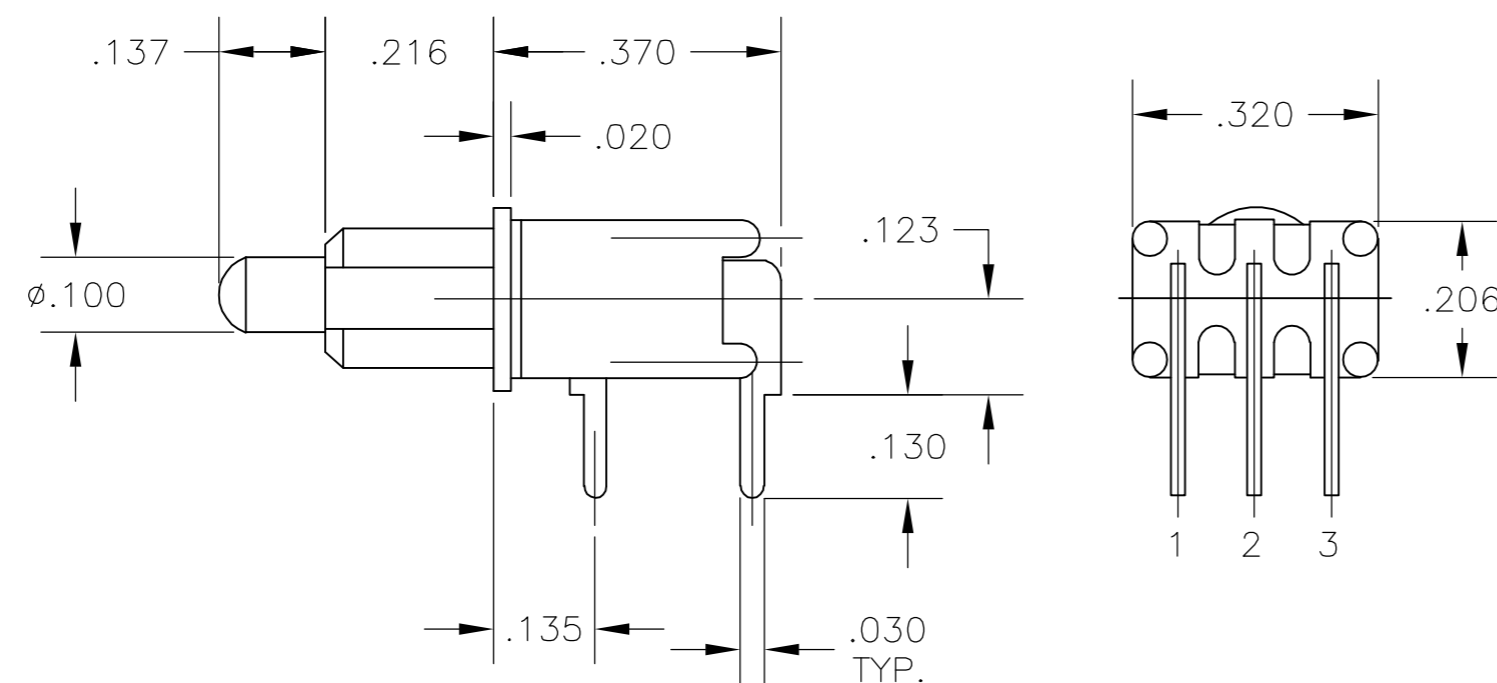
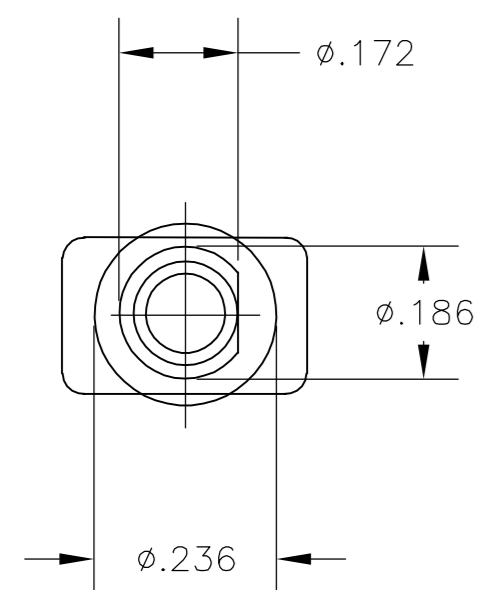
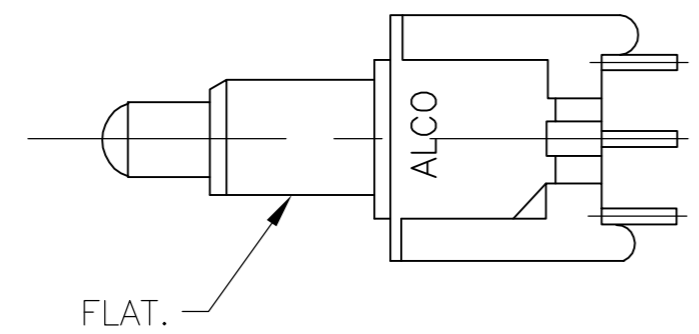
ACTUATION FORCE: 50 TO 400g.  
 ACTUIATION TRAVEL: .030 APPROX.

**ENVIRNAMENTAL:**

OPERATING TEMPARATURE: -22°F TO +149°F (-30°C TO +65°C)  
 STORAGE EMPRATURE -22°F TO +149°F (-30°C TO +65°C)

**NOTES:**

1. INTERPRET DRAWING PER ASME. Y145M-1994.
2. SUPPLIED WITH MOUNTING HARDWARE.



RECOMMENDED HOLE LAYOUT  
 TOLERANCE  $\pm.002$  UNLESS  
 OTHERWISE NOTED

TERMINALS CONNECTED WHEN BUTTON IS IN POSITION SHOWN		
SWITCH MODEL	FLAT	FLAT
TPB11CG-RA(*)	OFF	3-1(MOM)
TPB11FG-RA(*)	2-1	2-3(MOM)

NOTE:  
 TERMINAL DESIGNATION NUMBERS ARE FOR REFERENCE ONLY AND DO NOT APPEAR ON SWITCHES.

(*)	BUTTON COLOR
0	BLACK
2	RED
6	BLUE

THIS DRAWING IS A CONTROLLED DOCUMENT.		DWN V.J.MARTIN 06FEB81	Tyco Electronics Corporation Harrisburg, Pa 17105-3608			
DIMENSIONS: INCHES		CHK B.BUCKHEIT 06FEB81				
TOLERANCES UNLESS OTHERWISE SPECIFIED:		APVD RICHARD.D 06FEB81	NAME SWITCH,PUSH BUTTON TPB11CG/FG-RA(*)			
0 PLC $\pm$ - 1 PLC $\pm$ - 2 PLC $\pm$ - 3 PLC $\pm$ .010 4 PLC $\pm$ - ANGLES $\pm$ 1'		PRODUCT SPEC -	SIZE A2	CAGE CODE 00779	DRAWING NO C=5-1437571-7	RESTRICTED TO -
MATERIAL SEE SPECIFICATIONS		FINISH SEE SPECIFICATIONS	WEIGHT -	SCALE 4:1	SHEET 1 OF 1	REV B
		CUSTOMER DRAWING				

5-1437571-1

## X-ON Electronics

Largest Supplier of Electrical and Electronic Components

*Click to view similar products for [TE Connectivity](#) manufacturer:*

Other Similar products are found below :

[D38999/24FJ4AN](#) [570416-000](#) [CLTEQ-M81CE-SSRELAY-4-20V](#) [4-1195131-0](#) [650069-000](#) [SMD100-2](#) [358838-000](#) [CB-1022B-78](#)  
[RM707012](#) [RP410012](#) [MMS42](#) [1-640426-8](#) [2EDL4CM](#) [DTS20W19-11PD-3028-LC](#) [RM202615](#) [NC6-P104-06](#) [MSPS103B](#) [DTS26F21-](#)  
[41HE-LC](#) [DTS26F21-41AE](#) [DTS26F21-41PE-LC](#) [DTS26F21-11SE-3028-LC](#) [30DCB6](#) [1932144-1](#) [293545-4](#) [LVR125S](#) [MS27466T25F4PB](#)  
[CKB-38-78010](#) [TR04AI-TINELLOCKRING](#) [1206SFF150F/63-2](#) [D38999/20JB35HA](#) [TE1500A2R2J](#) [D38999/20WC8BB](#) [DTS24F19-11SC-](#)  
[3028-LC](#) [D38999/24WG11HA](#) [D38999/24WG11HN](#) [MS27467T21F11H](#) [DJT16E21-11HA](#) [MS27467T21F35J](#) [MS27467T21F11J](#)  
[MS27467T21F16H-LC](#) [MS27467T21F35H](#) [MS27467T21F41H-LC](#) [1206SFH150F/24-2](#) [RP330024](#) [DJT16E21-11PA-LC](#) [DJT16E21-11HA-](#)  
[LC](#) [DJT16E21-11AA](#) [MS27467T21B11JA](#) [DJT16E21-11JA](#) [MS27467T21B11JA-LC](#)