

THIS DRAWING IS UNPUBLISHED. RELEASED FOR PUBLICATION
 © COPYRIGHT BY TYCO ELECTRONICS CORPORATION. ALL RIGHTS RESERVED.

LOC		DIST		REVISIONS			
P	LTR	DESCRIPTION		DATE	DWN	APVD	
B		ECO 06 000585		08AUG06	BSV	MZ	

SPECIFICATIONS:

MATERIALS:

CASE: HIGH TEMPRATURE POLYESTER. UL 94V-0.
 ACTUATOR BUTTON: THERMOPLASTIC, COLORS: SEE CHART BELOW.
 MOVING CONTACT: COPPER ALLOY: GOLD PLATED.
 FIXED CONTACT: COPPER ALLOY. GOLD PLATED.
 TERMINALS: COPPER ALLOY: TIN LEAD PLATED.
 TERMINAL SEAL: SP. EPOXY DP EPOXY OPTIONAL.

ELECTRICAL:

CONTACT RATING: GOLD =0.4 VA MAX. @ 20 VDC OR PEAK AC.
 INITIAL CONTACT RESISTANCE: 20 MILLIOHMS MAX.
 INSULATION RESISTANCE: 1000 MEGOHMS 500 VDC MIN.
 DIELECTRIC STRENGTH: 1.000 VAC.
 LIFE EXPECTANCY: GOLD: 1 POLE 100,000 CYCLES.
 2 POLE 80,000 CYCLES.

MECHANICAL:

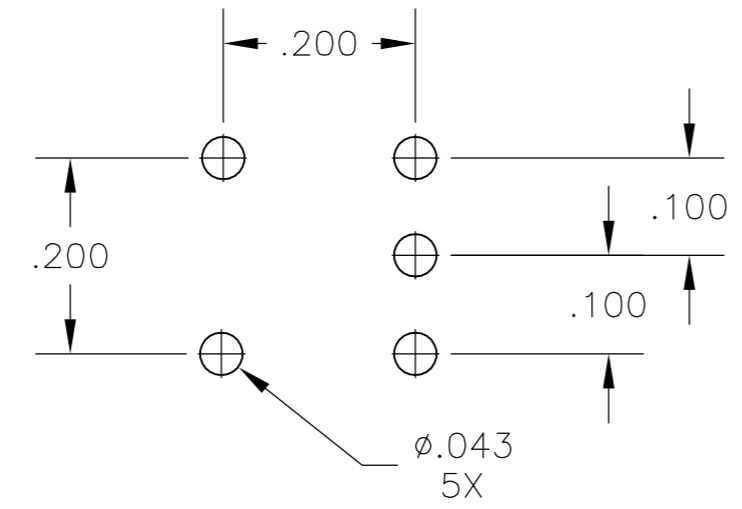
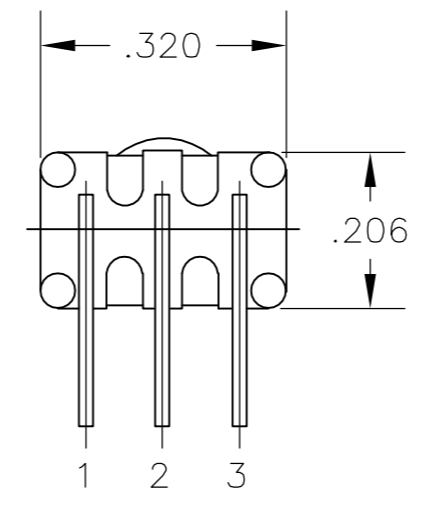
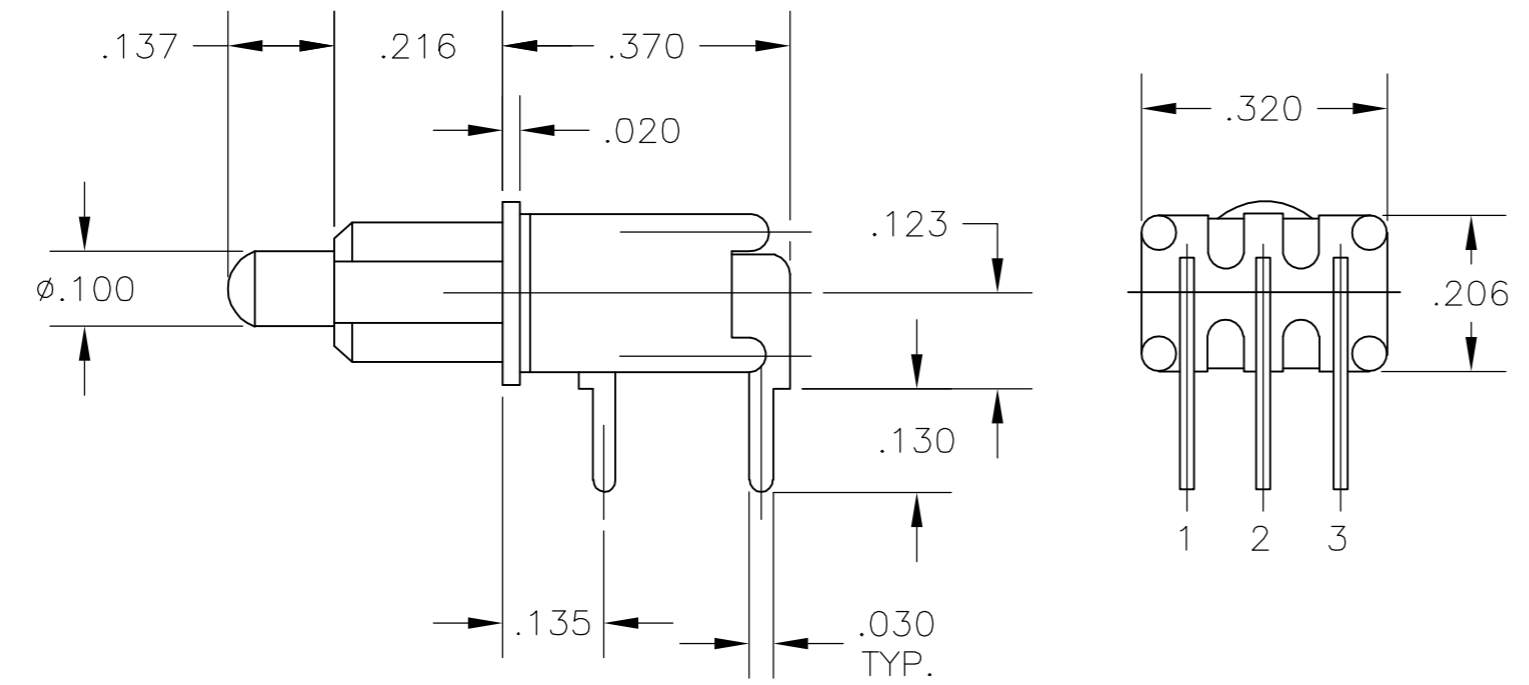
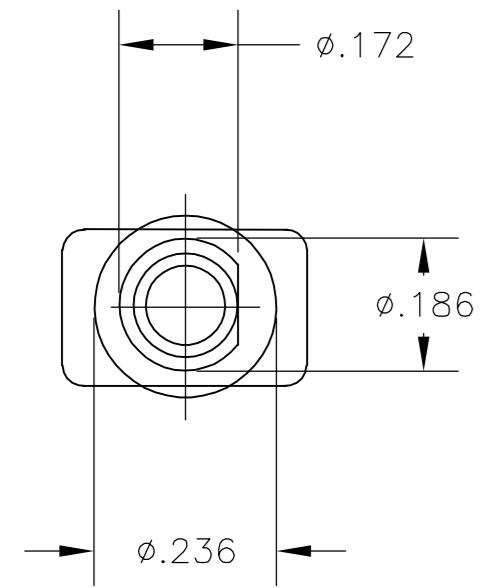
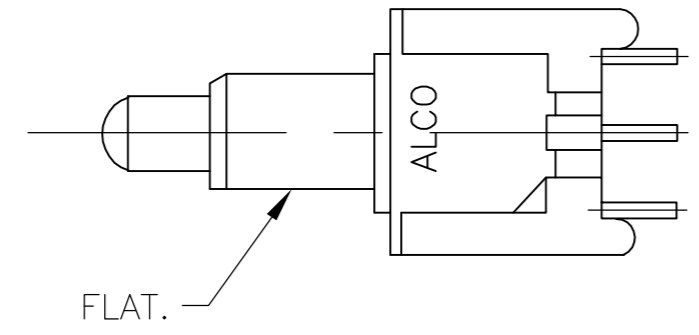
ACTUATION FORCE: 50 TO 400g.
 ACTUIATION TRAVEL: .030 APPROX.

ENVIRNAMENTAL:

OPERATING TEMPARATURE: -22°F TO +149°F (-30°C TO +65°C)
 STORAGE EMPRATURE -22°F TO +149°F (-30°C TO +65°C)

NOTES:

1. INTERPRET DRAWING PER ASME. Y145M-1994.
2. SUPPLIED WITH MOUNTING HARDWARE.



RECOMMENDED HOLE LAYOUT
 TOLERANCE ±.002 UNLESS
 OTHERWISE NOTED

TERMINALS CONNECTED WHEN BUTTON IS IN POSITION SHOWN		
SWITCH MODEL	FLAT	FLAT
TPB11CG-RA(*)	OFF	3-1(MOM)
TPB11FG-RA(*)	2-1	2-3(MOM)

NOTE:
 TERMINAL DESIGNATION NUMBERS ARE FOR REFERENCE ONLY AND DO NOT APPEAR ON SWITCHES.

(*)	BUTTON COLOR
0	BLACK
2	RED
6	BLUE

THIS DRAWING IS A CONTROLLED DOCUMENT.		DWN V.J.MARTIN 06FEB81	Tyco Electronics Corporation Harrisburg, Pa 17105-3608			
DIMENSIONS: INCHES		CHK B.BUCKHEIT 06FEB81				
TOLERANCES UNLESS OTHERWISE SPECIFIED:		APVD RICHARD.D 06FEB81	NAME SWITCH,PUSH BUTTON TPB11CG/FG-RA(*)			
0 PLC ± - 1 PLC ± - 2 PLC ± - 3 PLC ± .010 4 PLC ± - ANGLES ± 1°		PRODUCT SPEC -	SIZE A2	CAGE CODE 00779	DRAWING NO C=5-1437571-7	RESTRICTED TO -
MATERIAL SEE SPECIFICATIONS		FINISH SEE SPECIFICATIONS	WEIGHT -	SCALE 4:1	SHEET 1 OF 1	REV B
		CUSTOMER DRAWING				

5-1437571-1

X-ON Electronics

Largest Supplier of Electrical and Electronic Components

Click to view similar products for [Pushbutton Switches](#) category:

Click to view products by [TE Connectivity](#) manufacturer:

Other Similar products are found below :

[8940K2012](#) [LW1L-M1C10V-A](#) [LW1L-M1C70-A](#) [LW2L-A1C20M-GD](#) [LW2L-M1C20M-A](#) [60324L](#) [M22-D-R-GB0/K11](#) [M7E-HRN2](#)
[67021K512](#) [67081K512X](#) [701PB580](#) [7199K101](#) [810K12910](#) [810KSV30B](#) [MML21EA2ADK](#) [MML21KA3ABK](#) [MML23KA3AC05K-001](#)
[MML23KW3AA01W](#) [8418K2](#) [8442K3](#) [8450K1](#) [860K11911T01A](#) [861901](#) [861K11911T01A07](#) [861K13810T00A14](#) [861K13911](#)
[8646AB6X718UL](#) [8646ABUL](#) [9001KXRK](#) [907AYY100](#) [PMHD155A1](#) [9533CD4+U574+U4922](#) [95-414.000](#) [99-450.837](#) [99-453.837](#)
[PV3H2B0NN-341](#) [1203MRA](#) [A22NZBGANGA](#) [A22NZBNANGA](#) [A22NZMPATRA](#) [A2PMA1X03EC56](#) [A3A-5123-02](#) [A3A-7140](#) [A3A-7310](#) [A3A-7340](#) [A3U-TMW-A2C-5M](#) [A595](#) [12037A2ULCSA](#) [ABD122N-B](#) [1211390004](#)