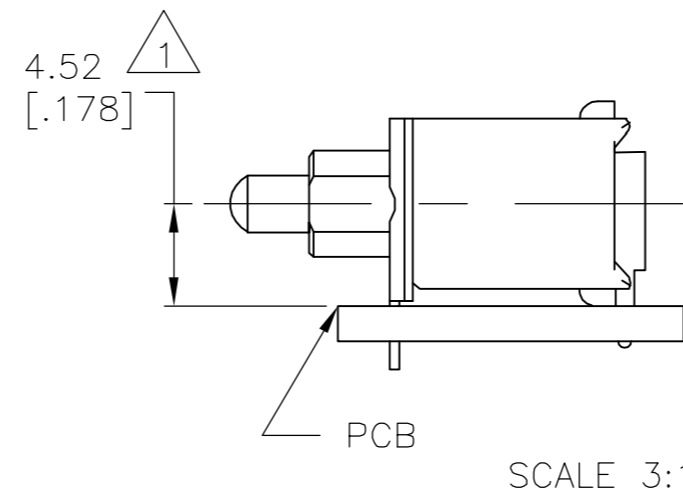
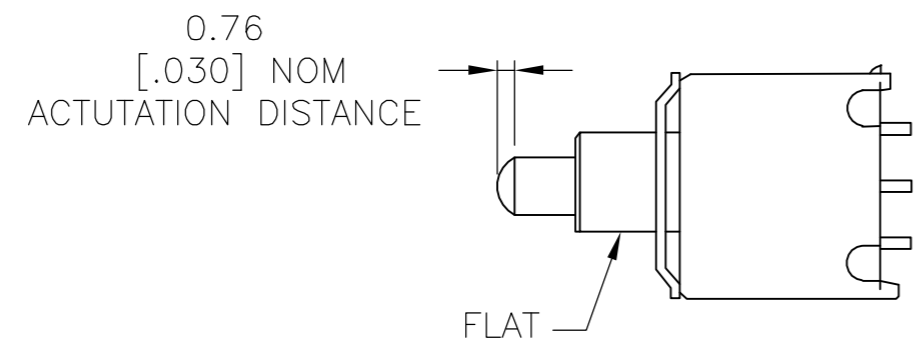


THIS DRAWING IS UNPUBLISHED. RELEASED FOR PUBLICATION
 © COPYRIGHT BY TYCO ELECTRONICS CORPORATION. ALL RIGHTS RESERVED.

LOC		DIST		REVISIONS			
P	LTR	DESCRIPTION	DATE	DWN	APVD		
A		ECO-06-000585	09AUG06	BSV	MZ		



SPECIFICATIONS:

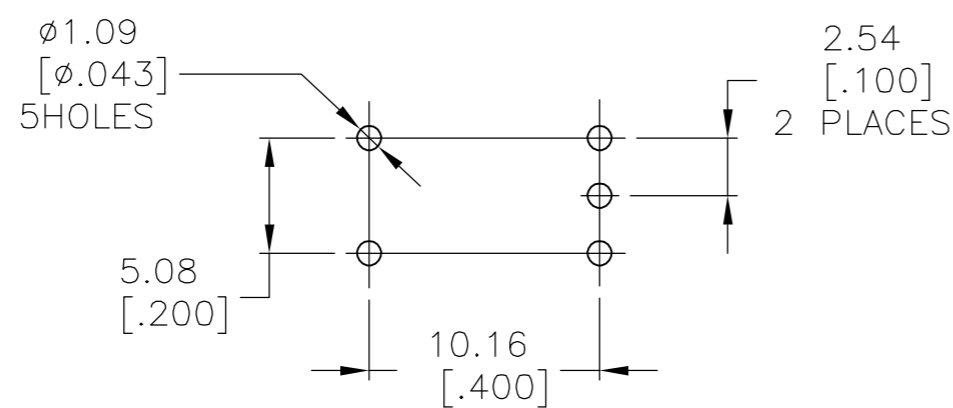
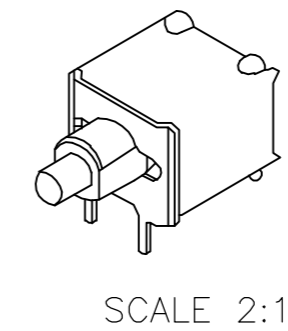
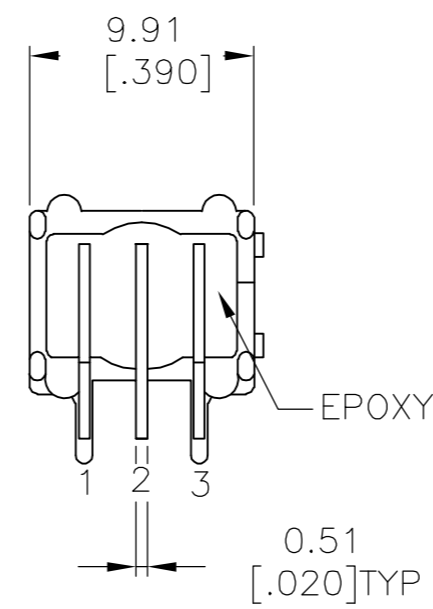
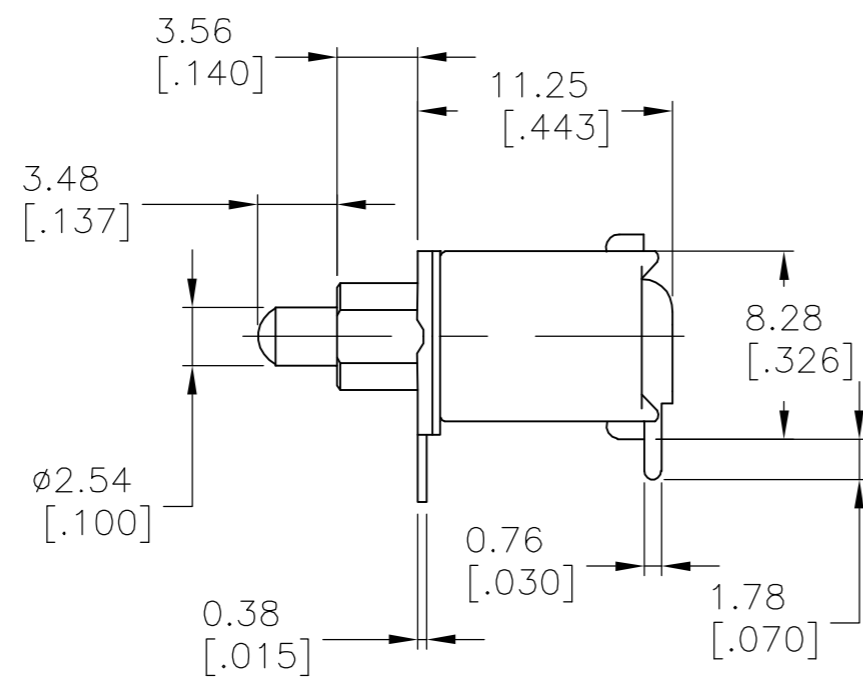
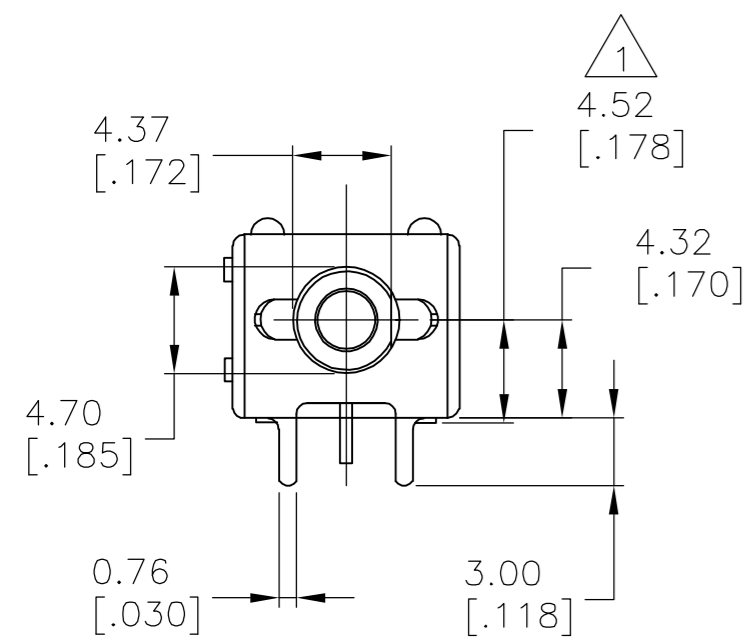
CURRENT RATING-0.4VA MAX., 20V MAX. (AC/DC).

INITIAL CONTACT RESISTANCE-20MILLIOHMS MAX.
 @100mV & 1mA.

VOLTAGE WITHSTANDING-1000VAC BETWEEN
 TREMINALS 1 & CASE GROUND FOR 1 MINUTE.

NOTES

△ ACTUAL DISTANCE OF CL FROM PCB WHEN MOUNTED.



PCB HOLE LAYOUT
 SCALE 5:1

(*)	BUTTON COLORS AVAILABLE
(0)	BLACK
(2)	RED
(6)	BLUE

NO CENTER TERMINAL ON "C" FUNCTION SWITCH

TPB11FG-RA-ES**	2-1	2-3(MOM)
TPB11CGRA-ES**	OFF	3-1(MOM)

SWITCH MODEL	FLAT	FLAT

TERMINAL CONNECTED WITH BUTTON
 IN POSITION SHOWN.

NOTE: TERMINAL DESIGNATION NUMBERS
 ARE FOR REFERENCE ONLY AND DO
 NOT APPEAR ON SWITCHES.

THIS DRAWING IS A CONTROLLED DOCUMENT.		DWN V.J.NARTINI 05DEC80	Tyco Electronics Corporation Harrisburg, Pa 17105-3608	
DIMENSIONS: mm [INCHES]		CHK R.D 08DEC80	NAME PUSHBUTTON SWITCH (TPB11 *G-RA-ES*)	
TOLERANCES UNLESS OTHERWISE SPECIFIED: 0 PLC ± - 1 PLC ± - 2 PLC ± - 3 PLC ± .01 4 PLC ± - ANGLES ± 1°		APVD -	PRODUCT SPEC -	APPLICATION SPEC -
MATERIAL -	FINISH -	WEIGHT -	SIZE A2	CAGE CODE 00779
CUSTOMER DRAWING			DRAWING NO C=6-1437571-2	RESTRICTED TO -
			SCALE 3:1	SHEET 1 OF 1
			REV A	

6-1437571-2

X-ON Electronics

Largest Supplier of Electrical and Electronic Components

Click to view similar products for [Pushbutton Switches](#) category:

Click to view products by [TE Connectivity](#) manufacturer:

Other Similar products are found below :

[8940K2012](#) [LW1L-M1C10V-A](#) [LW1L-M1C70-A](#) [LW2L-A1C20M-GD](#) [LW2L-M1C20M-A](#) [60324L](#) [M22-D-R-GB0/K11](#) [M7E-HRN2](#)
[67021K512](#) [67081K512X](#) [701PB580](#) [7199K101](#) [810K12910](#) [810KSV30B](#) [MML21EA2ADK](#) [MML21KA3ABK](#) [MML23KA3AC05K-001](#)
[MML23KW3AA01W](#) [8418K2](#) [8442K3](#) [8450K1](#) [860K11911T01A](#) [861901](#) [861K11911T01A07](#) [861K13810T00A14](#) [861K13911](#)
[8646AB6X718UL](#) [8646ABUL](#) [9001KXRK](#) [907AYY100](#) [PMHD155A1](#) [9533CD4+U574+U4922](#) [95-414.000](#) [99-450.837](#) [99-453.837](#)
[PV3H2B0NN-341](#) [1203MRA](#) [A22NZBGANGA](#) [A22NZBNANGA](#) [A22NZMPATRA](#) [A2PMA1X03EC56](#) [A3A-5123-02](#) [A3A-7140](#) [A3A-7310](#) [A3A-7340](#) [A3U-TMW-A2C-5M](#) [A595](#) [12037A2ULCSA](#) [ABD122N-B](#) [1211390004](#)