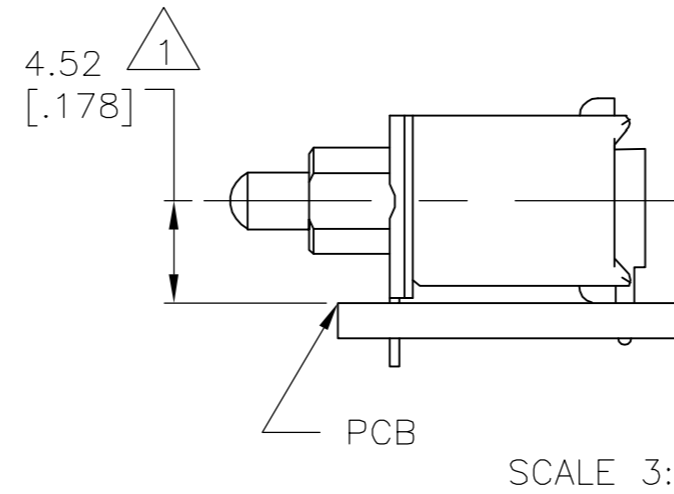
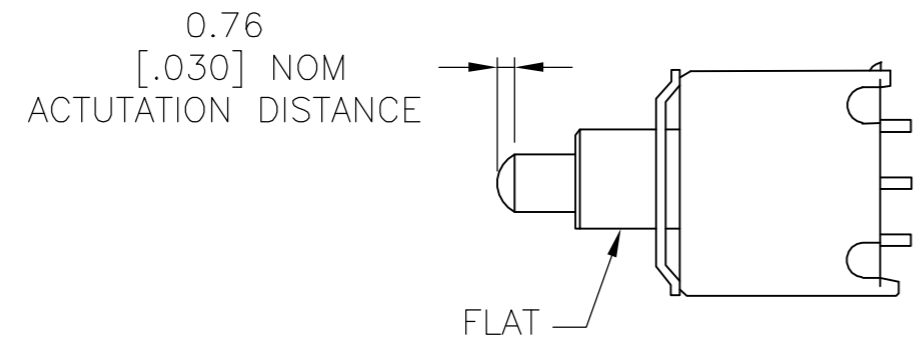


THIS DRAWING IS UNPUBLISHED. RELEASED FOR PUBLICATION  
 © COPYRIGHT BY TYCO ELECTRONICS CORPORATION. ALL RIGHTS RESERVED.

LOC		DIST		REVISIONS			
P	LTR	DESCRIPTION	DATE	DWN	APVD		
A		ECO-06-000585	09AUG06	BSV	MZ		

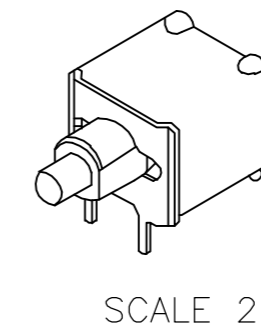
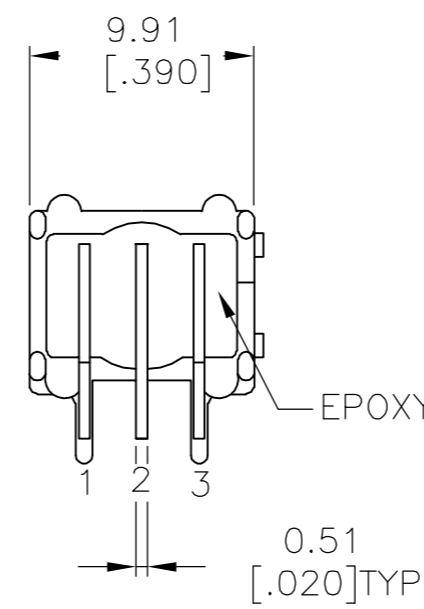
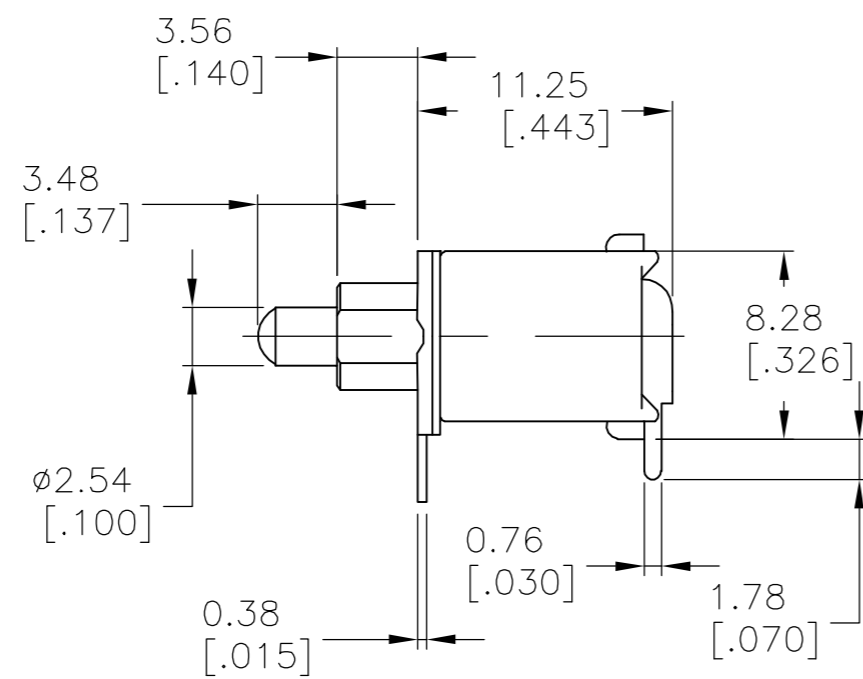
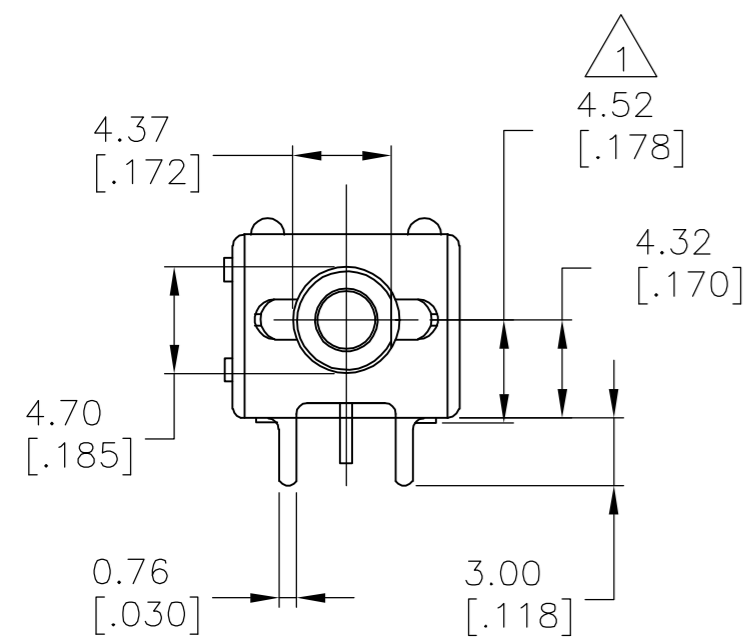


**SPECIFICATIONS:**

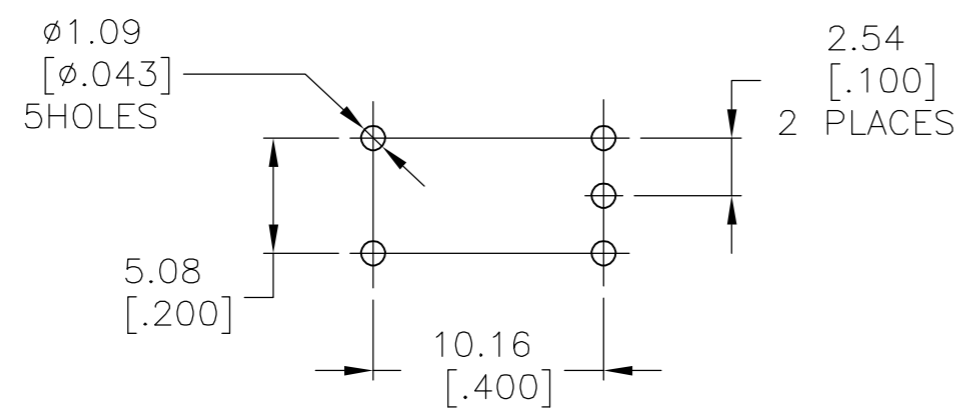
CURRENT RATING-0.4VA MAX., 20V MAX. (AC/DC).  
 INITIAL CONTACT RESISTANCE-20MILLIOHMS MAX.  
 @100mV & 1mA.  
 VOLTAGE WITHSTANDING-1000VAC BETWEEN  
 TREMINALS 1 & CASE GROUND FOR 1 MINUTE.

**NOTES**

△ ACTUAL DISTANCE OF CL FROM PCB WHEN MOUNTED.



(*)	BUTTON COLORS AVAILABLE
(0)	BLACK
(2)	RED
(6)	BLUE



PCB HOLE LAYOUT  
SCALE 5:1

NO CENTER TERMINAL ON "C" FUNCTION SWITCH

TPB11FG-RA-ES**	2-1	2-3(MOM)
TPB11CGRA-ES**	OFF	3-1(MOM)

SWITCH MODEL	FLAT	FLAT

TERMINAL CONNECTED WITH BUTTON  
IN POSITION SHOWN.

NOTE: TERMINAL DESIGNATION NUMBERS  
ARE FOR REFERENCE ONLY AND DO  
NOT APPEAR ON SWITCHES.

THIS DRAWING IS A CONTROLLED DOCUMENT.		DWN V.J.NARTINI 05DEC80	Tyco Electronics Corporation Harrisburg, Pa 17105-3608	
DIMENSIONS: mm [INCHES]		CHK R.D 08DEC80	NAME PUSHBUTTON SWITCH (TPB11 *G-RA-ES*)	
TOLERANCES UNLESS OTHERWISE SPECIFIED:		APVD -	PRODUCT SPEC -	SIZE A2
0 PLC ± - 1 PLC ± - 2 PLC ± - 3 PLC ± .01 4 PLC ± - ANGLES ± 1°		APPLICATION SPEC -	WEIGHT -	CAGE CODE 00779
MATERIAL -		FINISH -	DRAWING NO C=6-1437571-2	
CUSTOMER DRAWING			SCALE 3:1	RESTRICTED TO -
			SHEET 1 OF 1	REV A

6-1437571-2

## X-ON Electronics

Largest Supplier of Electrical and Electronic Components

*Click to view similar products for [Pushbutton Switches](#) category:*

*Click to view products by [TE Connectivity](#) manufacturer:*

Other Similar products are found below :

[LW1L-M1C10V-A](#) [LW2L-A1C20M-GD](#) [LW2L-M1C20M-A](#) [60324L](#) [M7E-HRN2](#) [67021K512](#) [67081K512X](#) [701PB580](#) [719-5504-000](#)  
[MDPSSGLFS](#) [810KSV30B](#) [MML23KA3AC05K-001](#) [MML23KW3AA01W](#) [8418K2](#) [8646AB6X718UL](#) [8646ABUL](#) [FSDWH](#) [9001KXRK](#)  
[9001T8BK](#) [9533CD4+U574+U4922](#) [1203MRA](#) [A22EM01S](#) [A595](#) [1202A6](#) [12037A2ULCSA](#) [1203A2UL](#) [ABD122N-B](#) [1211390004](#)  
[ABN111-Y](#) [1211500044](#) [1211580012](#) [1212MRA](#) [1232A6NF](#) [RA3CSH6A](#) [1241.1183.7047](#) [1241.2511](#) [1241.3428](#) [1223A2ULCSA](#)  
[1223MRA](#) [1232AX2119](#) [1241.1183.8000](#) [1241.1183.8029](#) [1241.2506](#) [1241.2606](#) [12MA6](#) [1301940184](#) [RELBARF6X10\(PLASTIC\)](#)  
[13435AG](#) [13440AD2G25X822+U4546](#) [13445A4GX768](#)