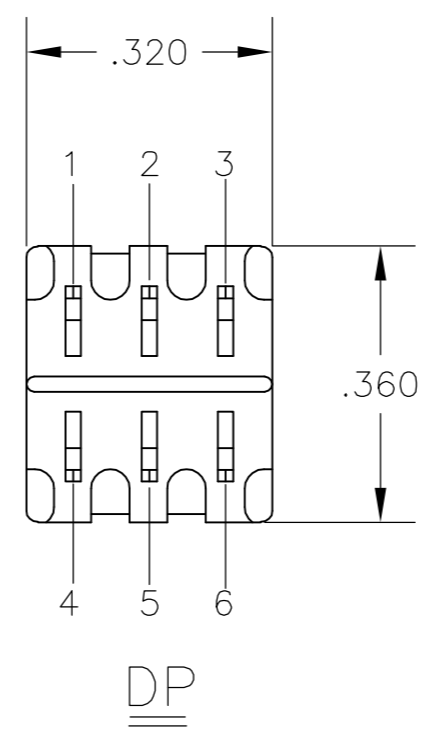
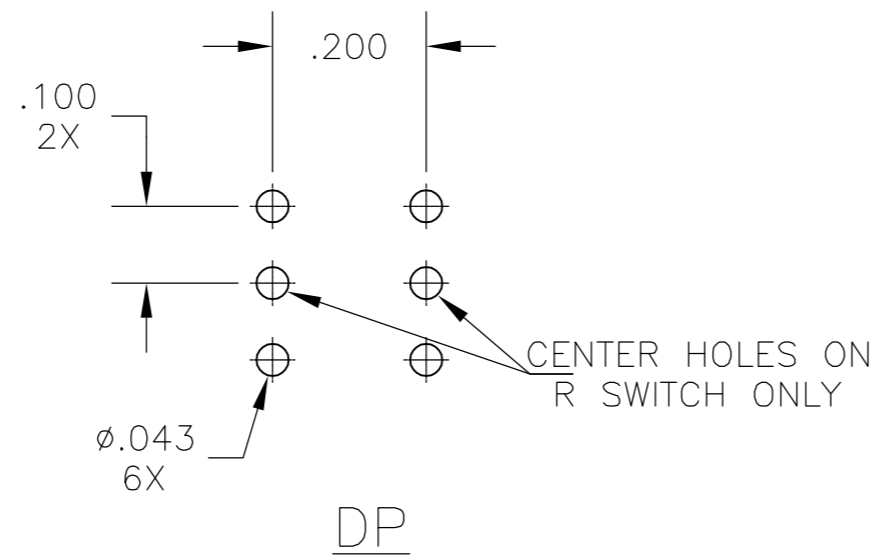
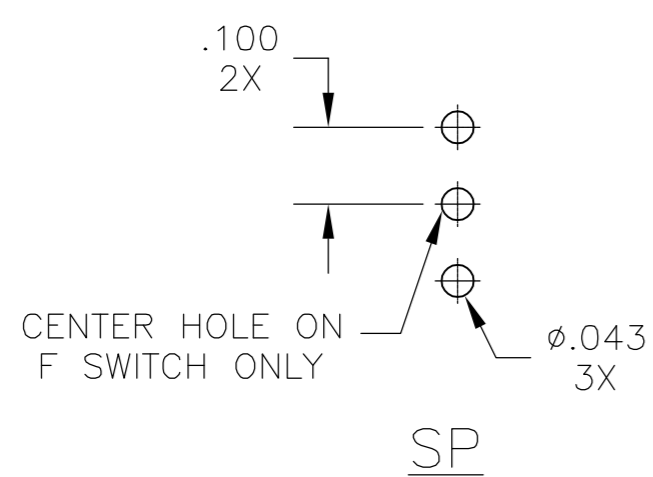
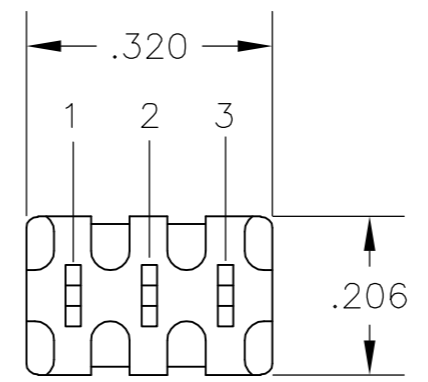
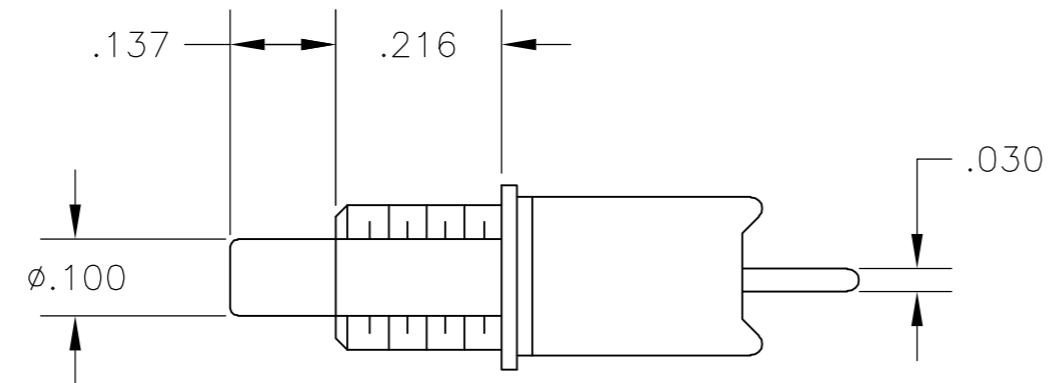
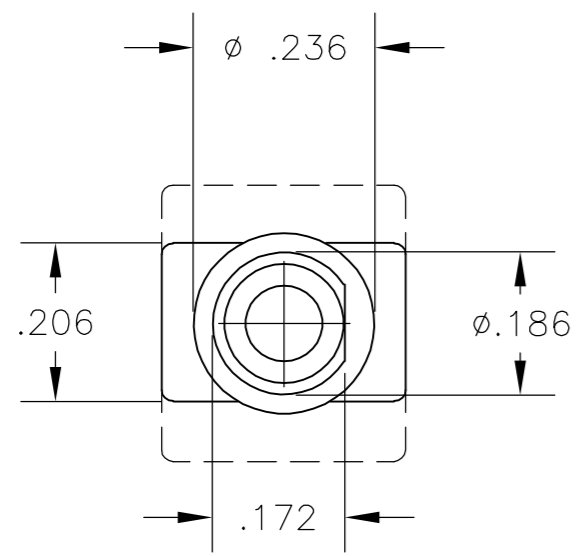
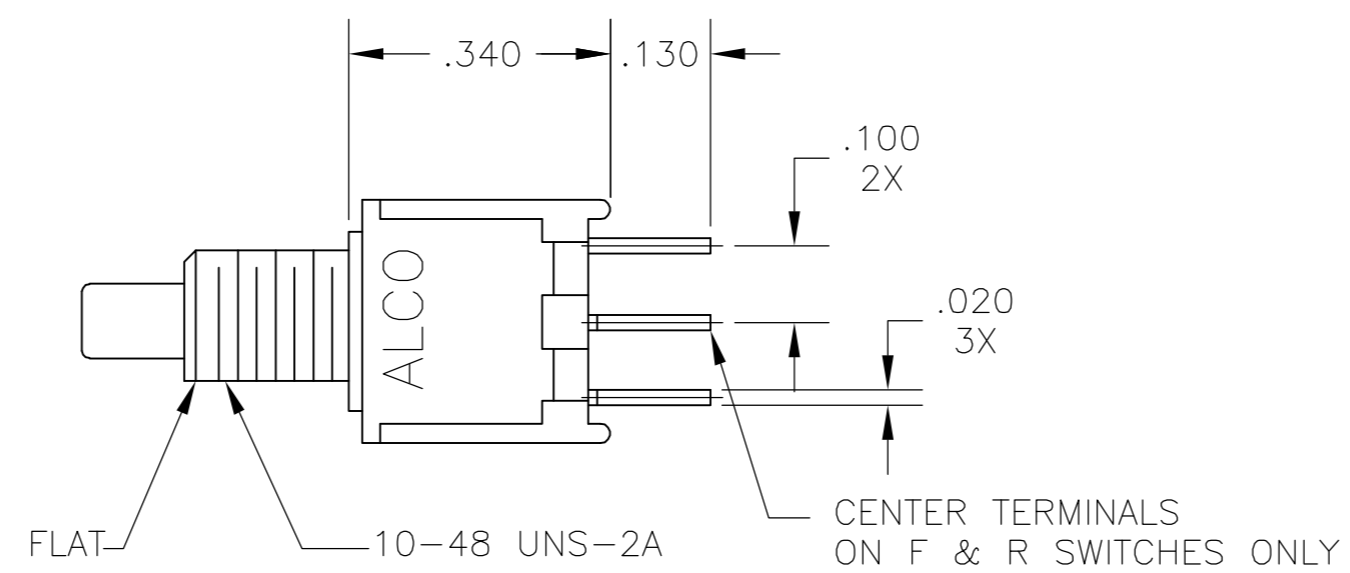


THIS DRAWING IS UNPUBLISHED. RELEASED FOR PUBLICATION
 © COPYRIGHT BY TYCO ELECTRONICS CORPORATION. ALL RIGHTS RESERVED.

Loc		DIST		REVISIONS			
P	LTR	DESCRIPTION		DATE	DWN	APVD	
	B	ECO-06-000585		10AUG06	BSV	MK	



RECOMMENDED HOLE LAYOUT
 TOLERANCE $\pm .002$ UNLESS OTHERWISE NOTED

SPECIFICATIONS:

MATERIALS:

CASE: HIGH TEMPERATURE POLYESTER.
 ACTUATOR BUTTON: POLYAMIDE, COLOR: SEE CHART BELOW.
 MOVING CONTACT: COPPER ALLOY, GOLD OVER NICKEL PLATE.
 FIXED CONTACT/TERMINAL: COPPER ALLOY. TIN/LEAD PLATE.
 TERMINAL SEAL: EPOXY.

ELECTRICAL:

CONTACT RATING: 0.4 VA MAX. @ 20 VDC OR PEAK AC.
 INITIAL CONTACT RESISTANCE: 20 MILLIOHMS MAX.
 INSULATION RESISTANCE: 1.000 MEGOHMS @ 500 VDC MIN.
 DIELECTRIC STRENGTH: 1.000 VOLTS RMS @ SEA LEVEL.
 LIFE EXPECTANCY: 100.000 CYCLES.

MECHANICAL:

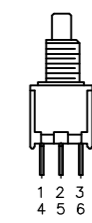
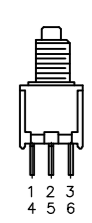
ACTUATION FORCE: 50 TO 400 GRAMS.
 ACTUATION TRAVEL: .030".

ENVIROMENTAL:

OPERATING TEMPERATURE: -22°F TO +149°F (-30°C TO +65°C)
 STORAGE TEMPERATURE: -22°F TO +149°F (-30°C TO +65°C)

NOTES:

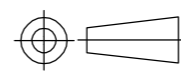
1. INTERPRET DRAWING PER ANSI Y14.5M-1982.
2. MOUNTING HARDWARE SUPPLIED: (1) LOCKWASHER (1) HEX NUT.

TERMINALS CONNECTED WITH BUTTON IN POSITIONS SHOWN.		
MODEL NO.		
TPC21RG-PC (*)	2 TO 1 (MOM) 5 TO 4	2 TO 3 (MOM) 5 TO 6
TPC21RG-PC (*)	OFF	1 TO 3 (MOM) 4 TO 6
TPC11FG-PC (*)	2 TO 1	2 TO 3 (MOM)
TPC11CG-PC (*)	OFF	1 TO 3 (MOM)

NOTE:
 DESIGNATION NUMBERS ARE FOR REFERENE ONLY AND DO NOT APPEAR ON THE SWITCHES

(*)	ACTUATOR BUTTON COLORS
(0)	BLACK
(2)	RED
(6)	BLUE

AUGAT D/N 40313-SD

THIS DRAWING IS A CONTROLLED DOCUMENT.		DWN S.KIRCORIAN 03OCT96	tyco Electronics Tyco Electronics Corporation Harrisburg, Pa 17105-3608	
DIMENSIONS: INCHES	TOLERANCES UNLESS OTHERWISE SPECIFIED:	CHK -	APVD -	NAME
	0 PLC ± - 1 PLC ± - 2 PLC ± - 3 PLC ± .010 4 PLC ± - ANGLES ± -	PRODUCT SPEC -	APPLICATION SPEC -	PRODUCT SPEC PUSHBUTTON SWITCH SP & DP PC (TPC11-PC & TPC21-PC)
MATERIAL SEE SPECIFICATIONS	FINISH SEE SPECIFICATIONS	WEIGHT -	SIZE A2	CAGE CODE 00779
CUSTOMER DRAWING		SCALE 4:1	DRAWING NO. C=1437572-3	RESTRICTED TO -
			SHEET 1 OF 1	REV B

1437572-3

X-ON Electronics

Largest Supplier of Electrical and Electronic Components

Click to view similar products for [Pushbutton Switches](#) category:

Click to view products by [TE Connectivity](#) manufacturer:

Other Similar products are found below :

[8940K2012](#) [LW1L-M1C10V-A](#) [LW1L-M1C70-A](#) [LW2L-A1C20M-GD](#) [LW2L-M1C20M-A](#) [60324L](#) [M22-D-R-GB0/K11](#) [M7E-HRN2](#)
[67021K512](#) [67081K512X](#) [701PB580](#) [7199K101](#) [810K12910](#) [810KSV30B](#) [MML21EA2ADK](#) [MML21KA3ABK](#) [MML23KA3AC05K-001](#)
[MML23KW3AA01W](#) [8418K2](#) [8442K3](#) [8450K1](#) [860K11911T01A](#) [861901](#) [861K11911T01A07](#) [861K13810T00A14](#) [861K13911](#)
[8646AB6X718UL](#) [8646ABUL](#) [9001KXRK](#) [907AYY100](#) [PMHD155A1](#) [9533CD4+U574+U4922](#) [95-414.000](#) [99-450.837](#) [99-453.837](#)
[PV3H2B0NN-341](#) [1203MRA](#) [A22NZBGANGA](#) [A22NZBNANGA](#) [A22NZMPATRA](#) [A2PMA1X03EC56](#) [A3A-5123-02](#) [A3A-7140](#) [A3A-7310](#) [A3A-7340](#) [A3U-TMW-A2C-5M](#) [A595](#) [12037A2ULCSA](#) [ABD122N-B](#) [1211390004](#)