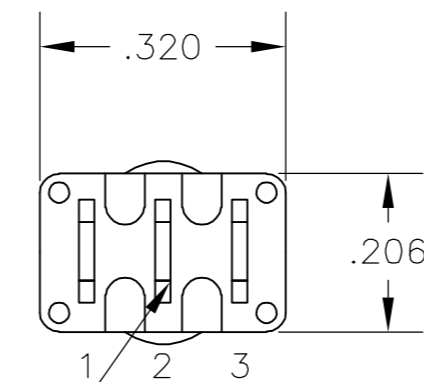
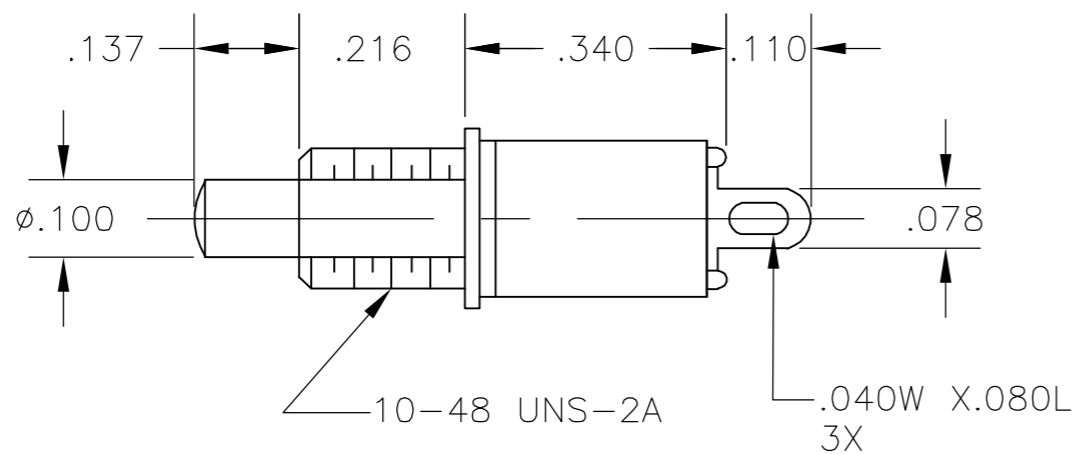
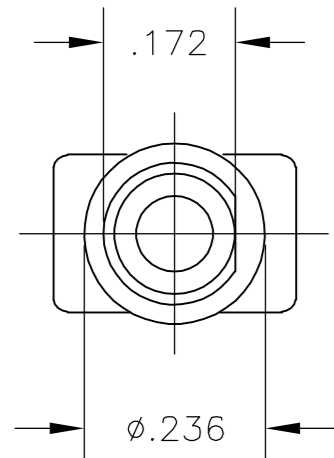


THIS DRAWING IS UNPUBLISHED. RELEASED FOR PUBLICATION
 © COPYRIGHT BY TYCO ELECTRONICS CORPORATION. ALL RIGHTS RESERVED.

LOC	DIST	REVISIONS			
P	LTR	DESCRIPTION	DATE	DWN	APVD
AD	00	B	ECO-06-000585	08AUG06	BSV MZ



CENTER TERMINALS NOT FURNISHED ON TPC13C*

SPECIFICATIONS

MATERIALS:

CASE: HIGH TEMPERATURE POLYESTER, UL 94V-0
 ACTUATOR BUTTON: THERMOPLASTIC, COLORS: SEE CHART BELOW.
 MOVING CONTACT: COPPER ALLOY, SILVER PLATED
 TERMINALS: COPPER ALLOY, TIN LEAD PLATED
 TERMINAL SEAL: SP EPOXY
 DP EPOXY OPTIONAL.

ELECTRICAL:

CONTACT RATING: SILVER = 1A @ 125 VAC OR 20 VDC.
 INITIAL CONTACT RESISTANCE: 20 MILLIOHMS MAX.
 INSULATION RESISTANCE: 1.000 MEGAOHMS @ 500 VDC MIN.
 DIELECTRIC STRENGTH: 1.000 VAC
 LIFE EXPECTENCY: SILVER: 1 POLE = 60.000 CYCLES
 2 POLE = 50.000 CYCLES

MECHANICAL:

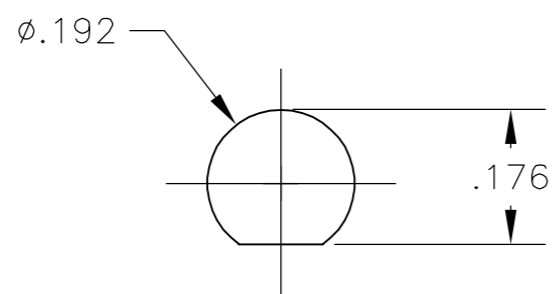
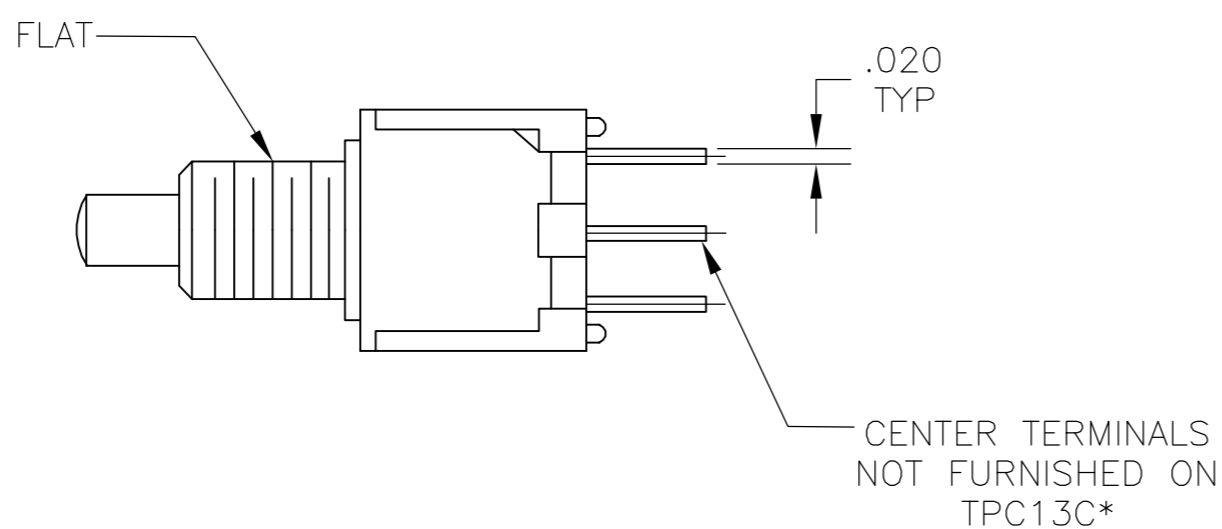
ACTUATION FORCE: 50 TO 400g.
 ACTUATION TRAVEL: .030 APPROX.

ENVIRONMENTAL:

OPENING TEMPERATURE: -22°F TO +149°F (-30°C TO +65°C).
 STORAGE TEMPERATURE: -22°F TO +149°F (-30°C TO +65°C).

NOTES:

- INTERPRET DRAWING PER ASME Y14.5M-1994
- SUPPLIED WITH MOUNTING HARDWARE



RECOMMENDED HOLE LAYOUT
 TOLERANCE ±.002 UNLESS OTHERWISE NOTED

(*)	BUTTON COLORS
(0)	BLACK
(2)	RED
(6)	BLUE

AUGAT D/N 40013

TERMINALS CONNECTED WITH BUTTONS IN POSITIONS SHOWN		
MODEL NO		
TPC13C (*)	OFF	3 TO 1(MOM)
TPC13F (*)	2 TO 1	2 TO 3(MOM)

NOTE:
 TERMINAL DESIGNATION NUMBERS ARE FOR REFERENCE ONLY AND DO NOT APPEAR ON SWITCHES

THIS DRAWING IS A CONTROLLED DOCUMENT.		DWN DRM	20MAR80	Tyco Electronics Corporation Harrisburg, Pa 17105-3608
DIMENSIONS: INCHES		CHK C. BUCKHEIT	21MAR80	
TOLERANCES UNLESS OTHERWISE SPECIFIED:		APVD KJ	21MAR80	NAME PUSHBUTTON SWITCH TPC13 SERIES
0 PLC ± - 1 PLC ± - 2 PLC ± - 3 PLC ± .010 4 PLC ± - ANGLES ± -		PRODUCT SPEC	-	
MATERIAL SEE SPECIFICATIONS		FINISH	WEIGHT	SIZE
SEE SPECIFICATIONS		SEE SPECIFICATIONS	-	CAGE CODE
CUSTOMER DRAWING		SCALE 4:1		DRAWING NO
		SHEET 1 OF 1		RESTRICTED TO
		REV B		

2-1437572-2

X-ON Electronics

Largest Supplier of Electrical and Electronic Components

Click to view similar products for [TE Connectivity](#) manufacturer:

Other Similar products are found below :

[D38999/24FJ4AN](#) [570416-000](#) [CLTEQ-M81CE-SSRELAY-4-20V](#) [4-1195131-0](#) [650069-000](#) [SMD100-2](#) [358838-000](#) [CB-1022B-78](#)
[RM707012](#) [RP410012](#) [MMS42](#) [1-640426-8](#) [2EDL4CM](#) [DTS20W19-11PD-3028-LC](#) [RM202615](#) [NC6-P104-06](#) [MSPS103B](#) [DTS26F21-41HE-LC](#) [DTS26F21-41AE](#) [DTS26F21-41PE-LC](#) [DTS26F21-11SE-3028-LC](#) [30DCB6](#) [1932144-1](#) [293545-4](#) [LVR125S](#) [MS27466T25F4PB](#)
[CKB-38-78010](#) [TR04AI-TINELLOCKRING](#) [1206SFF150F/63-2](#) [D38999/20JB35HA](#) [TE1500A2R2J](#) [D38999/20WC8BB](#) [DTS24F19-11SC-3028-LC](#) [D38999/24WG11HA](#) [D38999/24WG11HN](#) [MS27467T21F11H](#) [DJT16E21-11HA](#) [MS27467T21F35J](#) [MS27467T21F11J](#)
[MS27467T21F16H-LC](#) [MS27467T21F35H](#) [MS27467T21F41H-LC](#) [1206SFH150F/24-2](#) [RP330024](#) [DJT16E21-11PA-LC](#) [DJT16E21-11HA-LC](#) [DJT16E21-11AA](#) [MS27467T21B11JA](#) [DJT16E21-11JA](#) [MS27467T21B11JA-LC](#)