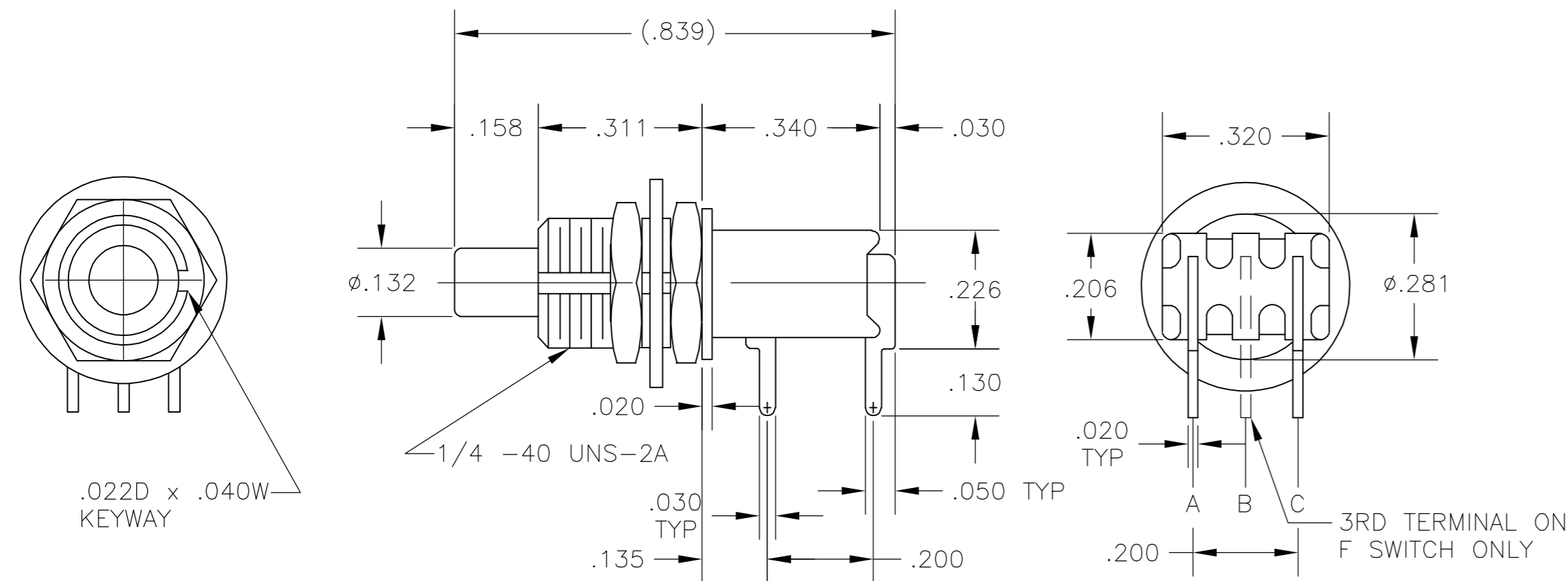


THIS DRAWING IS UNPUBLISHED. RELEASED FOR PUBLICATION
 © COPYRIGHT BY TYCO ELECTRONICS CORPORATION. ALL RIGHTS RESERVED.

LOC		DIST		REVISIONS			
P	LTR	DESCRIPTION	DATE	DWN	APVD		
B		ECO 06 000585	10AUG06	BSV	MZ		



SPECIFICATIONS:

MATERIALS:

CASE: HIGH TEMPERATURE POLYESTER UL 94V-0
 ACTUATOR BUTTON: THERMOPLASTIC, COLORS: SEE CHART BELOW
 MOVING CONTACT: COPPER ALLOY, GOLD PLATED OVER NICKEL
 FIXED CONTACT: COPPER ALLOY, GOLD PLATED OVER NICKEL
 TERMINALS: COPPER ALLOY, TIN/LEAD PLATED
 TERMINAL SEAL: SP EPOXY.

ELECTRICAL:

CONTACT RATING: GOLD = 0.4 VA MAX. @20 VDC OR PEAK AC
 INITIAL CONTACT RESISTANCE: 20 MILLIOHMS MAX.
 INSULATION RESISTANCE: 1000 MEGOHMS @ 500 VDC MIN.
 DIELECTRIC STRENGTH: 1000VAC @ SEA LEVEL
 LIFE EXPECTANCY: 1 POLE = 100,000 CYCLES
 2 POLES = 80,000 CYCLES

MECHANICAL:

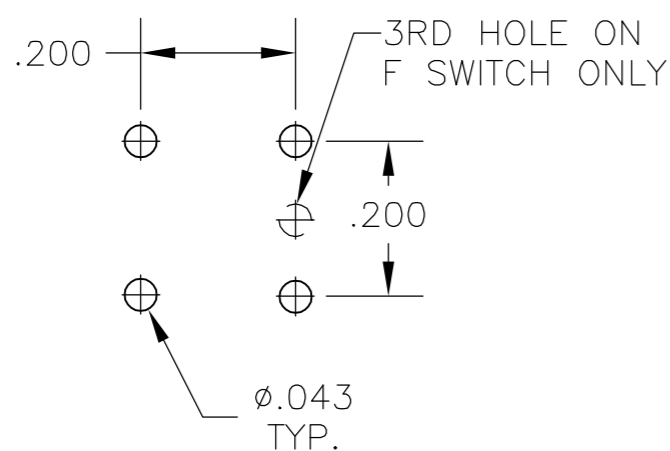
ACTUATION FORCE: 50 TO 400 GRAMS
 ACTUATION TRAVEL: .030 APPROX.

ENVIRONMENTAL:

OPERATING TEMPERATURE: -22°F TO +149°F (-30°C TO +65°C)
 STORAGE TEMPERATURE: -22°F TO +149°F (-30°C TO +65°C)

NOTES:

- INTERPRET DRAWING PER ASME Y14.5M-1994
- SPECIFICATIONS ARE SUBJECT TO CHANGES WITHOUT NOTICE



(*)	BUTTON COLOR
0	BLACK
2	RED
6	BLUE

AUGAT D/N 40145

B TO C (MOM.)	B TO A	SPDT MOMENTARY	TPF11FG-RA (*)
A TO C	NONE	SPST NORMALLY OPEN	TPF11CG-RA (*)
DEPRESSED BUTTON	FREE BUTTON	ACTION	MODEL NO.
CONTACTS			

THIS DRAWING IS A CONTROLLED DOCUMENT.		DWN R.E.SWEENEY 10NOV78	Tyco Electronics Corporation Harrisburg, Pa 17105-3608	
DIMENSIONS: INCHES	TOLERANCES UNLESS OTHERWISE SPECIFIED:	CHK B.BUCKHEIT 20NOV78	APVD F.D.KRICHOFF 20NOV78	NAME PUSH BUTTON SWITCH TPF11*G-RA(*)
	0 PLC $\pm -$	PRODUCT SPEC		
	1 PLC $\pm -$	APPLICATION SPEC		
MATERIAL SEE SPECIFICATIONS	FINISH SEE SPECIFICATIONS	WEIGHT -	SIZE A2	CAGE CODE 00779
CUSTOMER DRAWING		SCALE 4:1	DRAWING NO. 7-1437572-2	RESTRICTED TO -
		SHEET 1	OF 1	REV B

7-1437572-2

X-ON Electronics

Largest Supplier of Electrical and Electronic Components

Click to view similar products for [Pushbutton Switches](#) category:

Click to view products by [TE Connectivity](#) manufacturer:

Other Similar products are found below :

[8940K2012](#) [LW1L-M1C10V-A](#) [LW1L-M1C70-A](#) [LW2L-A1C20M-GD](#) [LW2L-M1C20M-A](#) [60324L](#) [M22-D-R-GB0/K11](#) [M7E-HRN2](#)
[67021K512](#) [67081K512X](#) [701PB580](#) [7199K101](#) [810K12910](#) [810KSV30B](#) [MML21EA2ADK](#) [MML21KA3ABK](#) [MML23KA3AC05K-001](#)
[MML23KW3AA01W](#) [8418K2](#) [8442K3](#) [8450K1](#) [860K11911T01A](#) [861901](#) [861K11911T01A07](#) [861K13810T00A14](#) [861K13911](#)
[8646AB6X718UL](#) [8646ABUL](#) [9001KXRK](#) [907AYY100](#) [PMHD155A1](#) [9533CD4+U574+U4922](#) [95-414.000](#) [99-450.837](#) [99-453.837](#)
[PV3H2B0NN-341](#) [1203MRA](#) [A22NZBGANGA](#) [A22NZBNANGA](#) [A22NZMPATRA](#) [A2PMA1X03EC56](#) [A3A-5123-02](#) [A3A-7140](#) [A3A-7310](#) [A3A-7340](#) [A3U-TMW-A2C-5M](#) [A595](#) [12037A2ULCSA](#) [ABD122N-B](#) [1211390004](#)